



SERVICE PARTS CATALOG

Issued June, 2019

Value \$ **15**  
of

For a table of contents, please click on either  
Current Parts or Discontinued Parts

# CURRENT PARTS

Pages 4 - 265

# DISCONTINUED PARTS

Pages 266 - 416

For trade price schedule, wiring diagrams, boiler manuals or appropriate control supplement, please go to [Weil-McLain.com](http://Weil-McLain.com)

# CURRENT PARTS

## Table Of Contents

### Gas Boilers

SVF.....	4
AquaBalance Series 1-2.....	12
Evergreen .....	30
WM97+CT/ WM97 Series 2.....	54
ECO / ECO Series 2.....	74
Ultra Series 3, 3UE, 3CT.....	92
Ultra Series 4.....	104
GV 90+ Series 1-2 .....	116
CGt Series 1-2.....	128
CGi Series 2-3.....	134
CGa Series 1-2.....	146
EG Series 1-5 .....	160
EGH Series 1-5.....	169
SlimFit Series 1, 2 & 3 - 550/750 .....	178
SlimFit/SlimFit Series 2 - 1000/1500/2000.....	186
LGB Series 2.....	200

### Oil Boilers

Ultra Oil Series 1-3.....	226
WGO and WTGO Series 1-3.....	232
SGO Series 1-3.....	238
GOLD Oil Jackets.....	242

### Gas/Oil Boilers

80.....	244
88.....	248
94.....	252

### Additional Products

Aqua Plus / Aqua Plus Series-2.....	258
AquaLogic.....	262
Aqua Pro.....	264

For trade prices, see current service parts TPS (Trade Price Schedule)

For wiring diagrams, see boiler manual or appropriate control supplement.  
 Future updates to the 2019 Parts Catalog are available at [www.weil-mclain.com](http://www.weil-mclain.com)



# DISCONTINUED PARTS

## Table Of Contents

### Gas Boilers

GV Series 1-2 .....	266
GV Series 3-4 .....	274
CG/CGm Series 1-12.....	282
CGs Series 1.....	296
CGx Series 1-2.....	304
CGi Series 1 .....	308
Ultra Series 1-2 .....	316
HE, HEII & VHE.....	326
EG Series 1-4 .....	336
EGH Series 1-4.....	346
AHE Series 1-4.....	356
LGB Series 1 .....	366
PFG Series 1-7.....	382

### Oil Boilers

68.....	390
76.....	395

### Gas/Oil Boilers

78.....	398
---------	-----

### Electric Boilers

CE, CER, PER.....	402
-------------------	-----

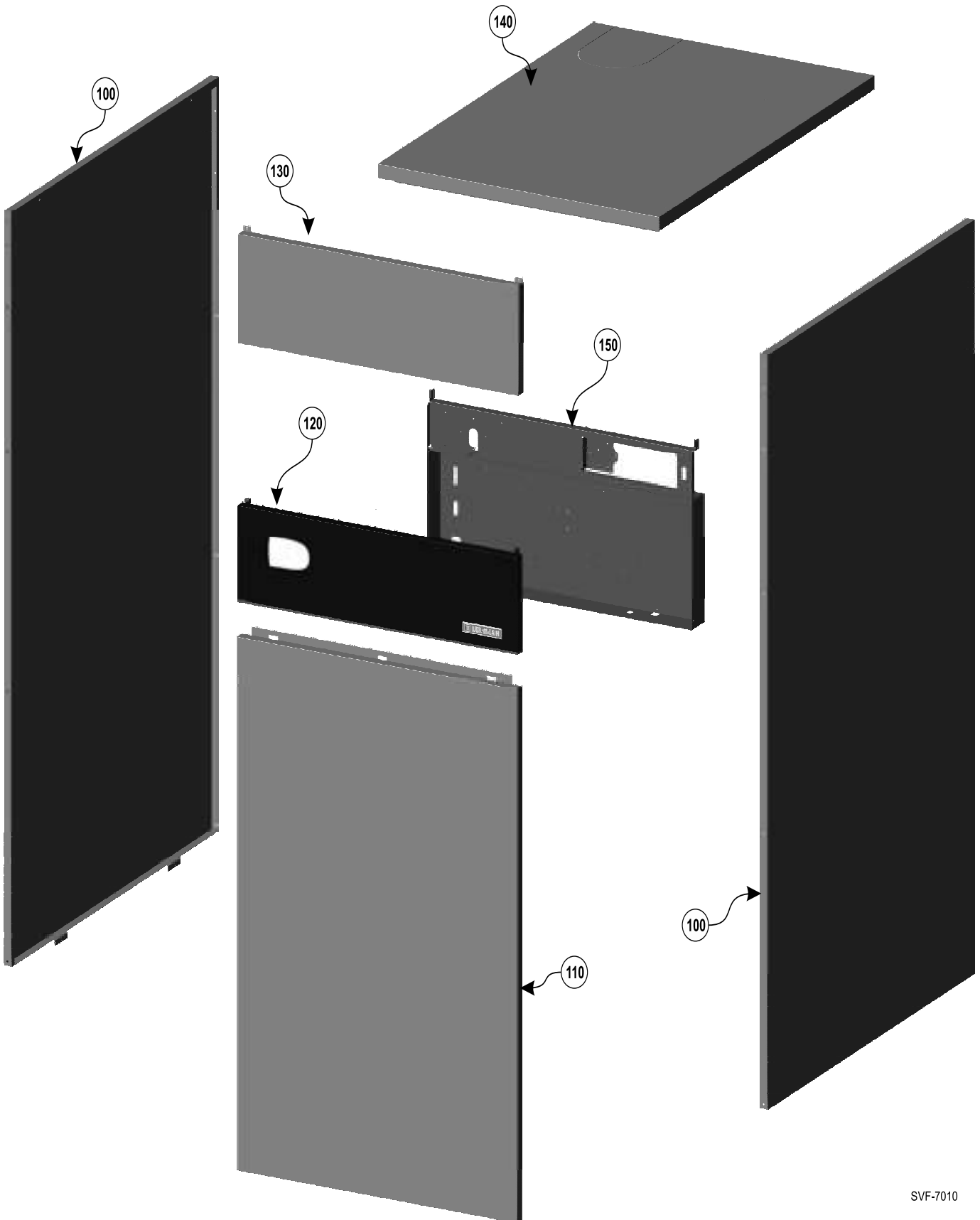
### Additional Products

Gold Plus and Ultra Plus.....	407
Plus Commercial.....	408
EMCS/BCP Boiler Controls.....	409

### Miscellaneous Information

Manufacturing Dates - Gas Boilers.....	410
Manufacturing Dates - Round Boilers .....	412
Manufacturing Dates - Oil Boilers.....	414
Manufacturing Dates - Misc.....	415
Burner Manufacturer Contact Information.....	416

SVF - 750 - 1000 - 1100  
Jacket Parts

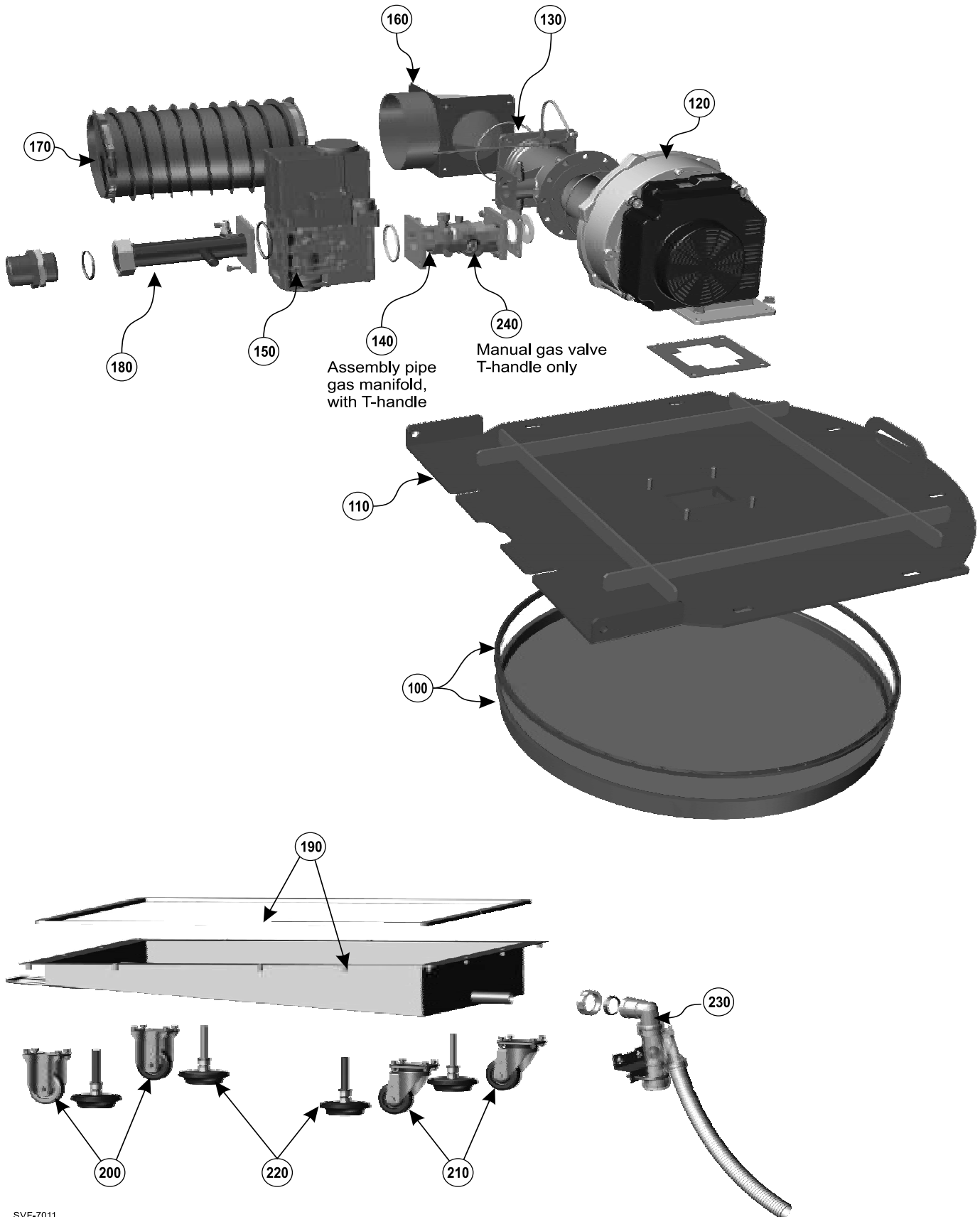


GAS

## SVF - 750 - 1000 -1100 Jacket Parts

Item	Part Number	Description/Contents
100	384-000-129	Jacket Side - Includes Hardware - For SVF 750
	384-000-130	Jacket Side - Includes Hardware - For SVF 1000/1100
110	384-000-131	Jacket Lower Front - Includes Hardware - For SVF 750
	384-000-132	Jacket Lower Front - Includes Hardware - For SVF 1000/1100
120	384-000-133	Jacket Front Control - Includes Hardware - For SVF 750
	384-000-156	Jacket Front Control - Includes Hardware - For SVF 1000
	384-000-134	Jacket Front Control - Includes Hardware - For SVF 1100
130	384-000-135	Jacket Upper Front - Includes Hardware - For SVF 750
	384-000-136	Jacket Upper Front - Includes Hardware - For SVF 1000/1100
140	384-000-137	Jacket Top - Includes Hardware - For SVF 750
	384-000-138	Jacket Top - Includes Hardware - For SVF 1000/1100
150	384-000-139	Control Tray Panel - Includes Hardware - For SVF 750
	384-000-140	Control Tray Panel - Includes Hardware - For SVF 1000/1100
N/S	384-000-141	Touch Up Paint - Slate - For SVF 750/1000/1100

# SVF - 750 - 1000 -1100 Burner, Blower, Cover Plate, Venturi, Gas Train, And Miscellaneous Parts



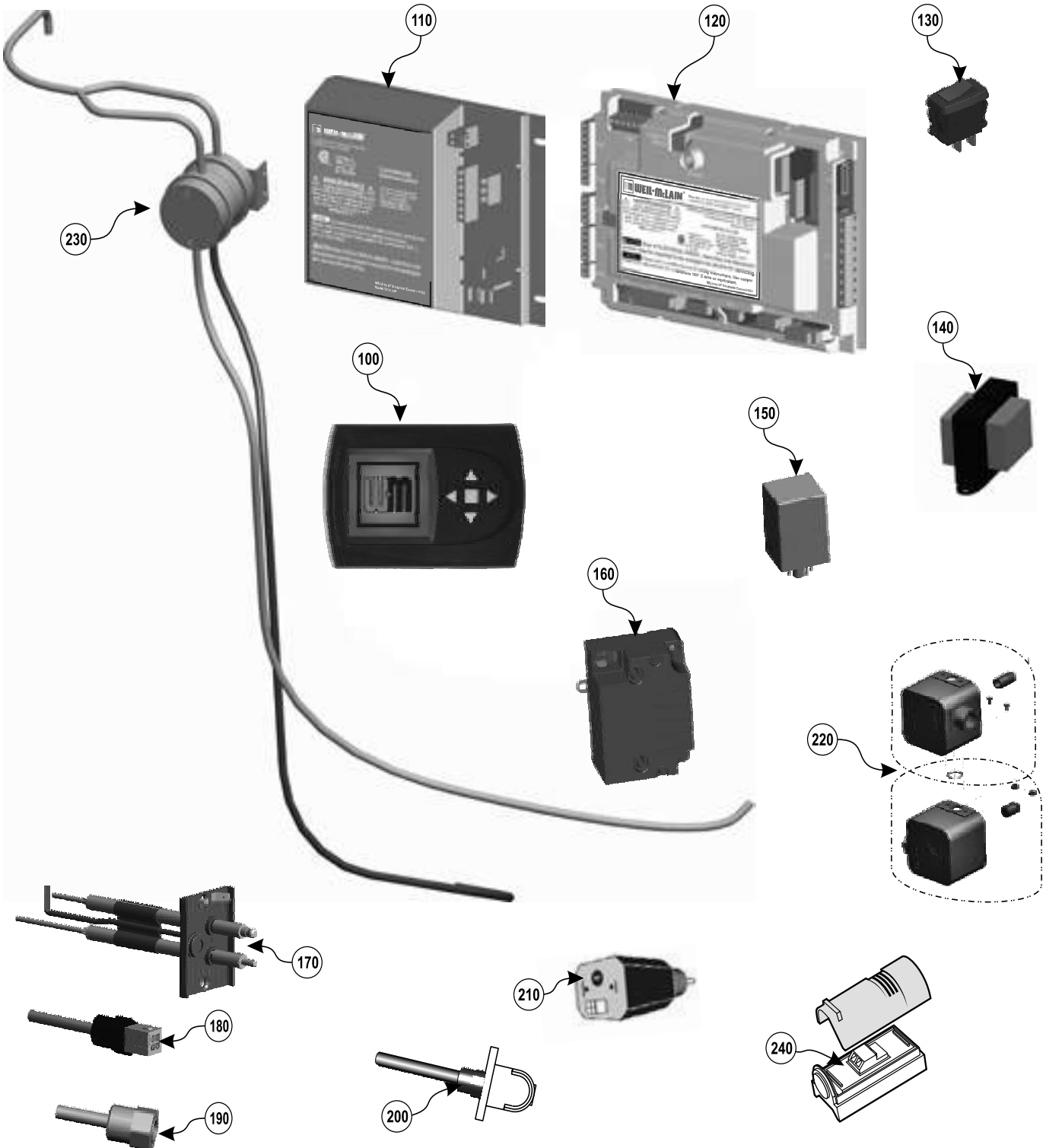
GAS

SVF-7011

**SVF - 750 - 1000 -1100**  
**Burner, Blower, Cover Plate, Venturi, Gas Train, And Miscellaneous Parts**

Item	Part Number	Description/Contents
100	384-000-107	Burner Service Kit - Includes (Pre-Mix Fiber Mesh And Instructions) - For SVF 750
	384-000-108	Burner Service Kit - Includes (Pre-Mix Fiber Mesh And Instructions) - For SVF 1000/1100
110	384-000-109	Burner Cover Plate Service Kit - Includes (Hardware And Instructions) - For SVF 750
	384-000-110	Burner Cover Plate Service Kit - Includes (Hardware And Instructions) For SVF 1000/1100
120	384-000-111	Modulating Premix Blower Service Kit - Includes (Blower, Gasket, And Instructions) For SVF 750
	384-000-112	Modulating Premix Blower Service Kit - Includes (Blower, Gasket, And Instructions) For SVF 1000/1100
130	384-000-113	Venturi Service Kit - Includes (Hardware, Gaskets, And Instructions) - For SVF 750
	384-00-114	Venturi Service Kit - Includes (Hardware, Gaskets, And Instructions) - For SVF 1000/1100
140	384-000-115	Gas Pipe Manifold Assembly Service Kit With T Handle For All SVF
150	384-000-116	Gas Valve Service Kit - Includes (Hardware And Instructions) - For SVF 750
	384-000-117	Gas Valve Service Kit - Includes ( Hardware And Instructions) - For SVF 1000/1100
160	384-000-118	Inlet Air Elbow Service Kit - Includes (Hardware And Instructions) - For All SVF
170	384-000-119	Inlet Air Hose Service Kit - Includes (Hardware A d Instructions) - For All SVF
180	384-000-120	Gas Pipe Assembly Service Kit -Includes (Hardware And Instructions) - For SVF 750
	384-000-121	Gas Pipe Assembly Service Kit - Includes (Hardware And Instructions) For SVF 1000/1100
190	384-000-123	Condensate Dish With Gasket - For SVF 750
	384-000-124	Condensate Dish With Gasket - For SVF 1000/1100
200	384-00-125	Non- Swivel Caster Kit With Hardware - For All SVF
210	384-000-126	Swivel Caster Kit With Hardware - For All SVF
220	384-000-127	Leg Leveling Kit With Adapter - For All SVF
230	384-000-128	Condensate Trap Assembly - For All SVF
240	383-600-244	Manual Gas Valve T Handle - For All SVF

# SVF - 750 - 1000 -1100 Control Parts



GAS

## SVF - 750 - 1000 -1100 Control Parts

Item	Part Number	Description/Contents
100	384-000-155	Display Housing With LCD
110	383-600-160	Expansion Module - (120 Volt)
120	384-000-154	Control Module Kit With Hardware
130	511-624-645	Boiler On/Off Switch
140	383-500-628	Control Transformer 120/24 VAC
150	570-350-231	Blower Relay Without Socket
160	511-802-626	Ignition Transformer
170	384-000-103	Ignitor/Flame Sense Rod Kit - Includes (Ignitor, Flame Sense, Gasket, Hardware, And Ground Harness)
180	384-000-100	Temperature Sensor - Flue And Water
190	384-000-101	Temperature Sensor Well
200	511-724-299	System Temperature Sensor, ½" N.P.T. 4" Well
210	383-600-511	Low Water Cut Off
220	383-600-510	Gas Pressure Switch Kit - Includes (High/Low Pressure Switches, Hardware, And Sealant)
230	384-000-104	Pressure Switch Kit - Includes ( Pressure Switch,Minimum Air Flow Switch, Hoses, And Hardware) For SVF 750
	384-000-105	Pressure Switch Kit - Includes ( Pressure Switch,Minimum Air Flow Switch, Hoses, And Hardware) For SVF 1000/1100
240	510-312-218	Outdoor Temperature Sensor
N/S	591-391-961	Wiring Harness - Control To Expansion Module
	591-392-040	Wiring Harness - Expansion Module To Display
	591-392-067	Wiring Harness - Main Front
	591-392-068	Wiring Harness - Blower Front
	591-392-069	Wiring Harness - Auxiliary Front
	591-392-070	Wiring Harness - Communication Front
	591-392-071	Wiring Harness - Low Voltage Front A
	591-392-072	Wiring Harness - Low Voltage Front B
	591-392-073	Wiring Harness - Ignition Module
	591-392-074	Wiring Harness - Flame Sensor
	591-392-075	Wiring Harness - Low Voltage Rear
	591-392-076	Wiring Harness - High Voltage Rear
	591-392-078	Wiring Harness - Low Voltage Terminal
	591-392-080	Wiring Harness - Main Terminal
	383-500-603	3 Amp Fuse - Fast Blow ATO - ( 5 Fuses)
	383-500-604	12 Amp Fuse - 250 Volt - Fast Blow AG - (5 Fuses)

## SVF - 750 - 1000 -1100 Miscellaneous Parts And Kits

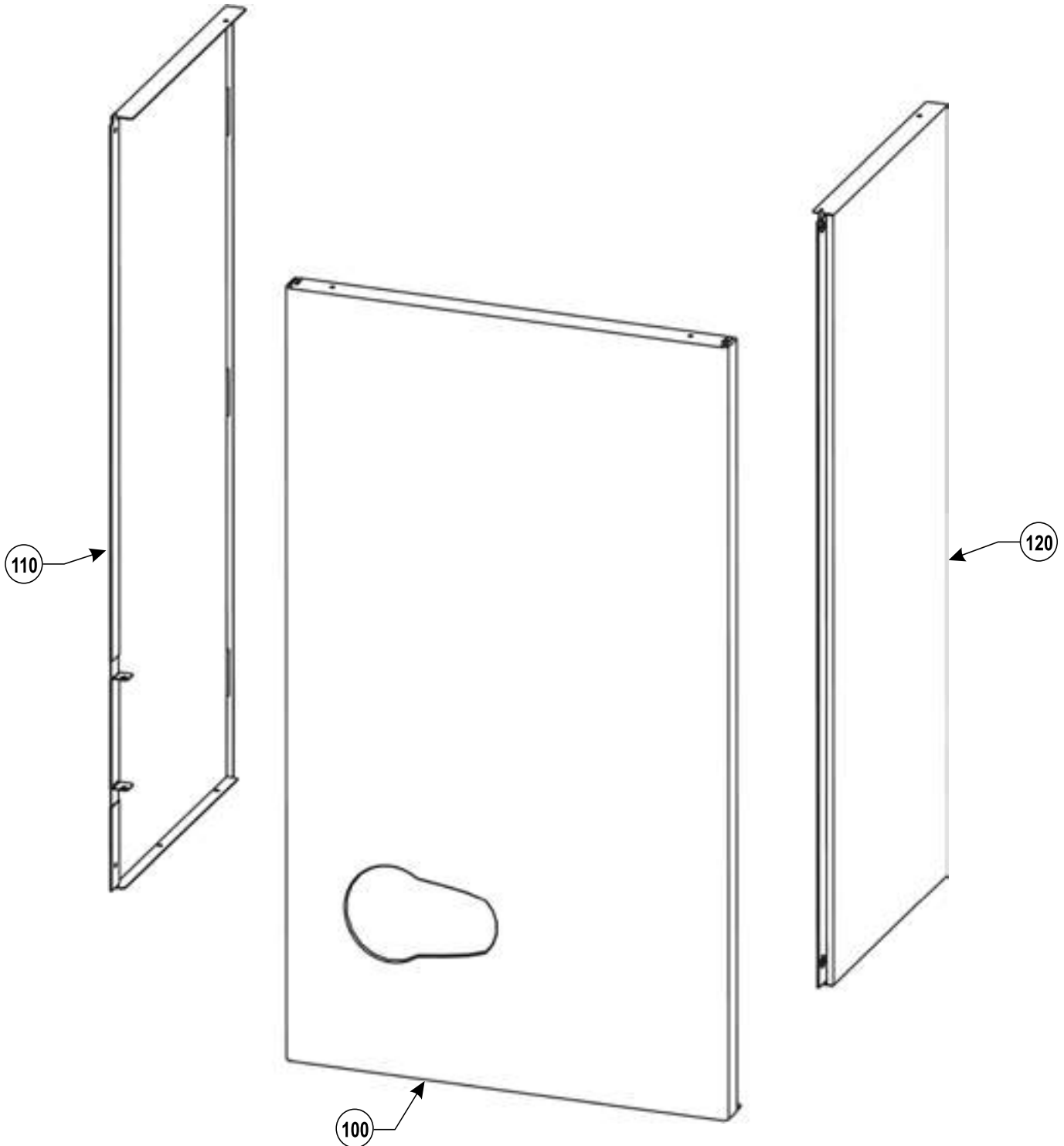
Part No.	Description
<b>Chemicals</b>	
592-900-006	Antifreeze - Sentinel X-500
592-900-016	Corrosion Inhibitor - Sentinel X-100 ( 5 Gallons)
592-900-017	Corrosion Inhibitor - Sentinel X-100 ( 50 Gallons)
592-900-005	Inhibitor Quick Test Kit
592-900-003	Cleaner - Sentinel X-400 ( One Tube 275 Mil)
<b>Boiler Accessories</b>	
383-600-063	Pressure Relief Valve For SVF 750 - ASME 30 PSI - ¾" NPT Female
383-600-064	Pressure Relief Valve For SVF 750 - ASME 50 PSI - ¾" NPT Female
383-600-065	Pressure Relief Valve For SVF 750 - ASME 80 PSI - ¾" NPT Female With New P/T Gauge
384-000-149	Pressure Relief Valve For SVF 750 - ASME 100 PSI - ¾" NPT Female With New P/T Gauge
384-000-150	Pressure Relief Valve For SVF 750 - ASME 150 PSI - ¾" NPT Female With New P/T Gauge
383-600-093	Pressure Relief Valve For SVF 1000/1100 - ASME 30 PSI - 1¼" NPT Female
383-600-101	Pressure Relief Valve For SVF 1000/1100 - ASME 30 PSI - 1¼" NPT Female
383-600-299	Pressure Relief Valve For SVF 1000/1100 - ASME 80 PSI - 1¼" NPT Female With New P/T Gauge
383-600-298	Pressure Relief Valve For SVF 1000/1100 - ASME 100 PSI - 1¼" NPT Female With New P/T Gauge
384-000-148	Pressure Relief Valve For SVF 1000/1100 - ASME 150 PSI - 1¼" NPT Female With New P/T Gauge
380-000-000	Pressure/Temperature Gauge - ¼" NPT - 0-75 PSI ( For 30-50 PSI Relief Valves)
570-218-055	Pressure/Temperature Gauge - ¼" NPT - 0-150 PSI ( For 80-100 PSI Relief Valves)
510-218-110	Pressure/Temperature Gauge - ¼" NPT - 0-240 PSI ( For 100-160 PSI Relief Valves)
383-600-076	Condensate Neutrializer Kit ( Up To 3000 MBH)
384-000-143	Annual Maintenance Kit - Includes (Ignitor/Flame Sense Rod And Gasket, Nuts And Washers For Ignitor/Sense Rods, Inhibitor Test Kit, Gasket/ Seal Kits For SVF750 And SVF 1000/1100)
384-000-122	Combustion Air Damper Kit - Includes ( Damper, Electrical Wiring, Coupling, Hose Clamp, And Instructions)
383-500-601	Temperature Sensor - Strap On
384-000-005	Natural Gas To L/P Conversion Kit For SVF 750 - Includes ( Orifice, Gasket, And Label)
384-000-006	Natural Gas To L/P Conversion Kit For SVF 1000/1100 - Includes (Orifice, Gasket, And Label)
384-000-144	Insulation Service Kit - SVF 750 - Insulation And Instructions
384-000-145	Insulation Service Kit - SVF 1000/1100 - Insulation And Instructions
384-000-146	Seal Gasket Service Kit - SVF 750 - Gaskets For Burner, Blower, And Gas Valve Flange
384-000-147	Seal Gasket Service Kit - SVF 1000/1100 - Gaskets For Burner, Blower And Gas Valve Flange
384-000-151	Air Inlet Adapter Kit - Includes Hardware
384-000-152	Exhaust Adapter Kit - Includes Hardware
384-000-153	Automatic Air Valve Kit - ½" NPT



# NOTES

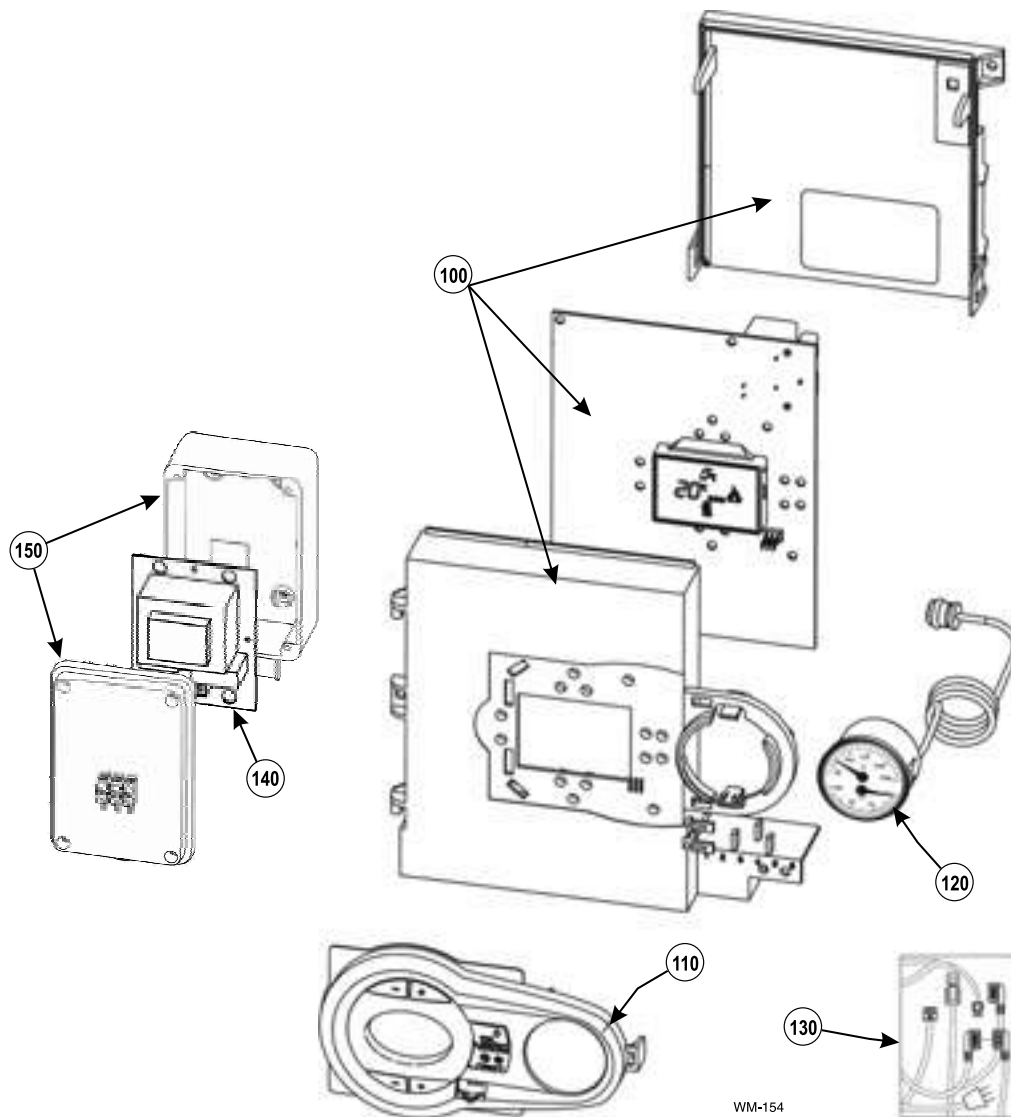
# AquaBalance - Series 1 & 2 - 80/120/155 Jacket Assembly

Item	Part Number	Description/Contents
100	640-000-067	Jacket Door
110	640-000-065	Jacket Left Side
120	640-000-066	Jacket Right Side



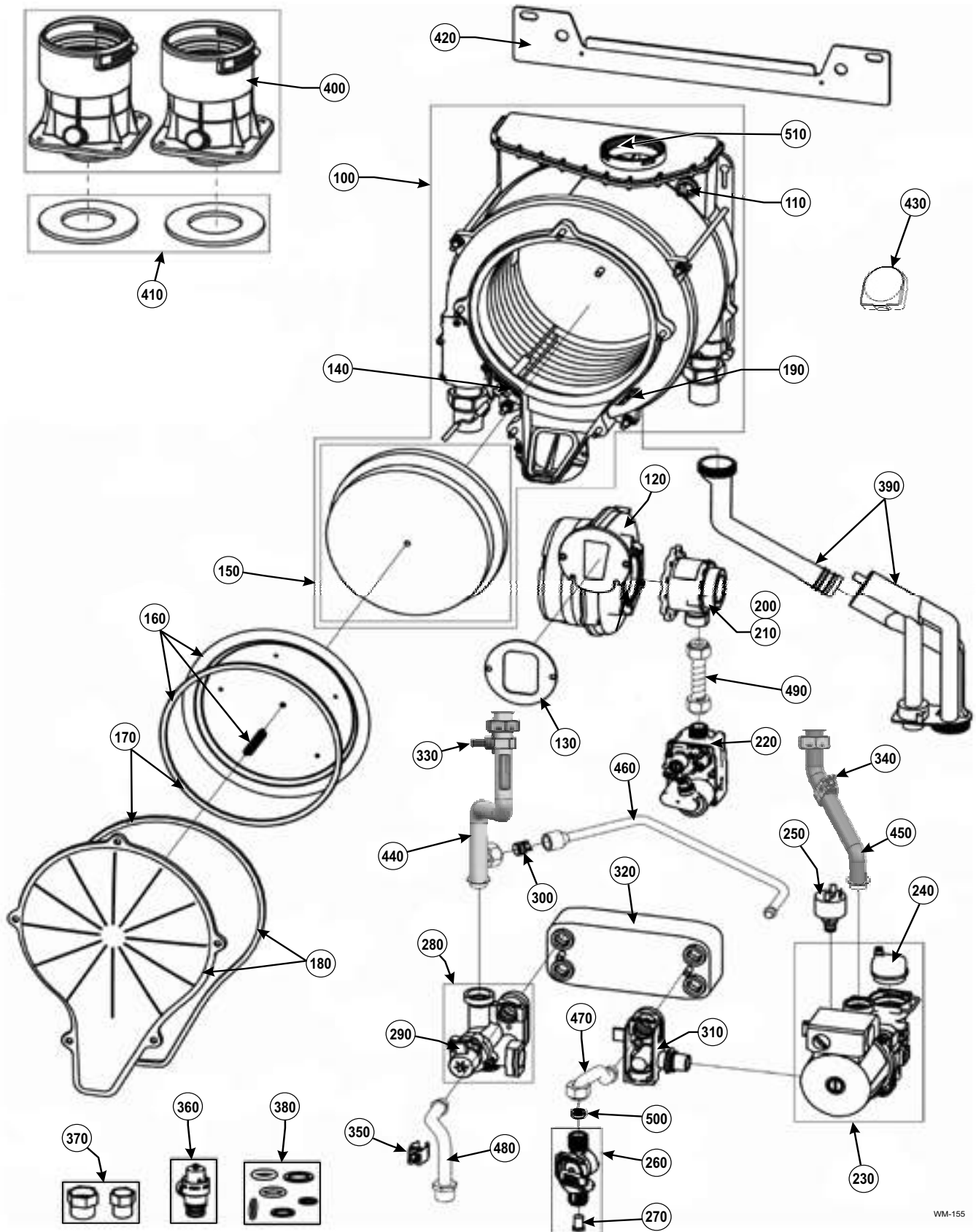
## AquaBalance - Series 1 & 2 - 80/120/155 Controls/Electrical Assemblies

Item	Part Number	Description/Contents
100	640-000-003	Control Module assembly
110	640-000-004	Control module Display Cover
120	640-000-006	Pressure / Temperature Assembly
130	640-000-085	Wire Harness Assembly- Combi - 155 -Connects All Electrical Components
	640-000-005	Wire Harness Assembly- Combi - 80/120 - Connects All Electrical Components
	640-000-053	Wire Harness Assembly- Heating Only - Connects All Electrical Components
	640-000-103	Blower Wiring Adapter Heating Only - 155 - Connects Adapter Plug From X-2 Terminal To Blower
140	640-000-062	PCB - Only - (Includes Circuit Board, Transformer, Relay, Terminal Strip, Fuse Holder, And Fuse)
N/S	640-000-122	Board Fuse 3.15 Amp - (Package Of 5)
	640-000-123	Thermostat Board Fuse - 630ma - (Package Of 5)



WM-154

# AquaBalance - Series 1 & 2 - 80/120 Combi Boiler Replacement Kits And Parts



GAS

WM-155

## AquaBalance - Series 1 & 2 - 80/120 Combi Boiler Replacement Kits And Parts

Item	Part Number	Description/Contents	AB-80	AB-120
100	640-000-116	Heat Exchanger - WMB-80 - <b>SERIES 2 ONLY</b>	•	
	640-000-117	Heat Exchanger - WMB-120 - <b>SERIES 2 ONLY</b>		•
	640-000-008	Heat Exchanger - WMB-80 - <b>SERIES 1 ONLY</b>	•	
	640-000-009	Heat Exchanger - WMB-120 - <b>SERIES 1 ONLY</b>		•
110	640-000-011	Flue Temperature Sensor	•	•
120	640-000-020	Blower Assembly	•	•
130	640-000-021	Blower Gasket	•	•
140	640-000-109	Ignitor	•	•
150	640-000-010	Central Heat Exchanger Insulation	•	•
160	640-000-012	Burner	•	•
170	640-000-013	Burner Gasket Set	•	•
180	640-000-016	Burner Cover	•	•
190	640-000-015	Inspection Glass	•	•
200	640-000-022	Natural Gas Conversion Kit - WMB-80 <b>ONLY</b>	•	
	640-000-023	Natural Gas Conversion Kit - WMB-120 <b>ONLY</b>		•
210	640-000-024	Propane Gas Conversion Kit - WMB-80 <b>ONLY</b>	•	
	640-000-025	Propane Gas Conversion Kit - WMB-120 <b>ONLY</b>		•
220	640-000-037	Gas Valve VK8205V	•	•
230	640-000-017	Circulator FX3-FP	•	•
240	640-000-018	Air Separator	•	•
250	640-000-019	Water Pressure Switch	•	•
260	640-000-026	Flow Meter	•	•
270	640-000-027	Water Filter	•	•
280	640-000-028	3-Way Valve	•	•
290	640-000-029	3-Way Valve Motor	•	•
300	640-000-030	N/ R Valve Fitting -	•	•
310	640-000-031	DHW R. Plate Connection	•	•
320	640-000-032	Plate Exchanger 16P - WMB 80 <b>ONLY</b>	•	
	640-000-033	Plate Exchanger 20P - WMB 120 <b>ONLY</b>		•
330	640-000-034	CH Temperature Probe DP	•	•
340	640-000-035	CH Temperature Probe US	•	•
350	640-000-036	DHW Temperature Probe US	•	•
360	640-000-038	Relief Valve 3/4"	•	•

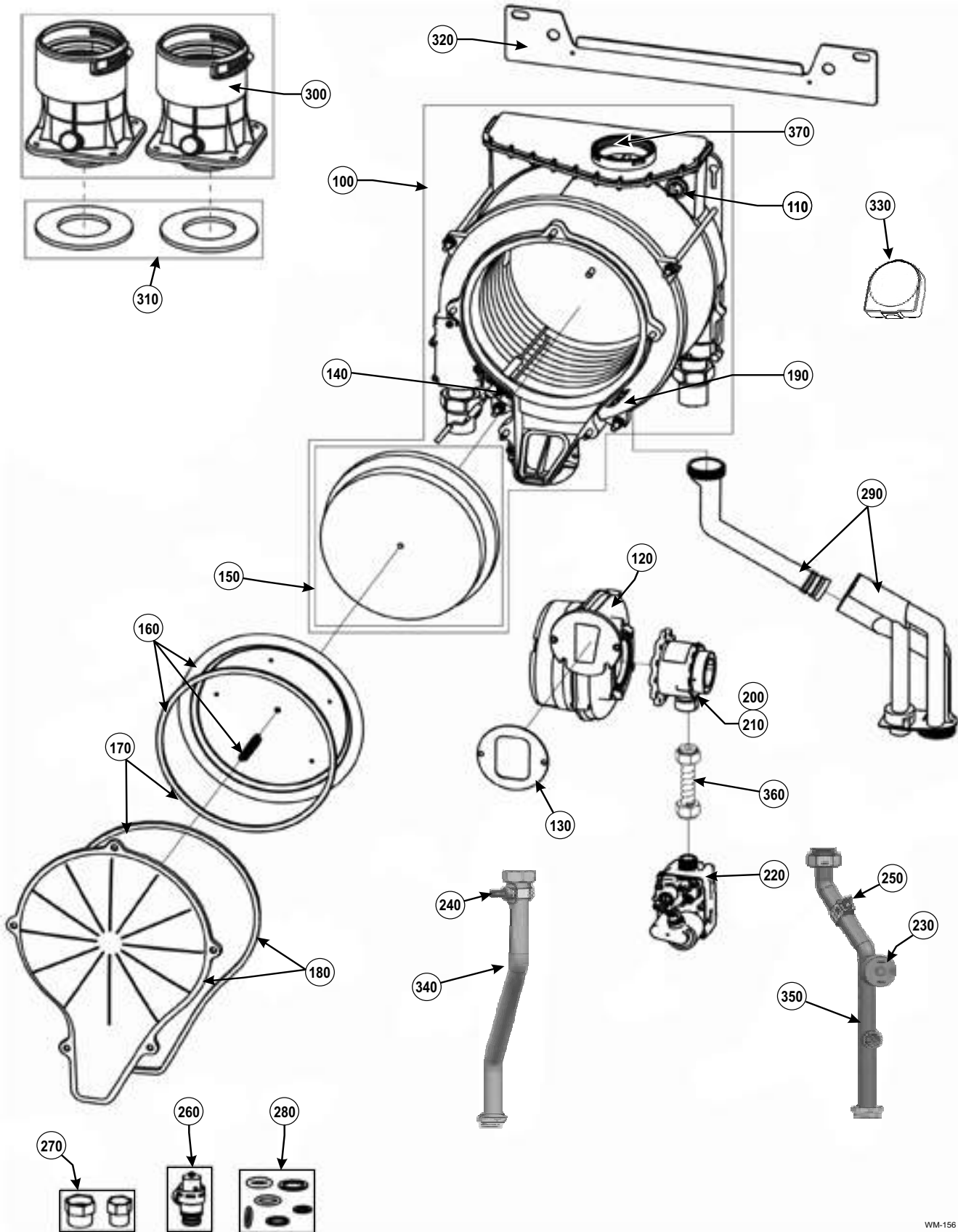
## AquaBalance - Series 1 & 2 - 80/120 Combi Boiler Replacement Kits And Parts Continued

Item	Part Number	Description/Contents	AB-80	AB-120
370	640-000-039	NPT Adapters	•	•
380	640-000-007	Gasket Set	•	•
390	640-000-068	Condensate Drain Trap	•	•
400	640-000-107	Vent Adapters - ( 2 Adapters In Kit)	•	•
410	640-000-108	Gaskets - Vent Adapters - (2 Gaskets In Kit)	•	•
420	640-000-044	Wall Mount Bracket	•	•
430	640-000-043	Outdoor Temperature Sensor	•	•
440	640-000-124	CH - Flow Pipe - WMB - 80 <b>SERIES 2 ONLY</b>	•	
	640-000-125	CH - Flow Pipe - WMB - 120 <b>SERIES 2 ONLY</b>		•
	640-000-069	CH - Flow Pipe - WMB - 80 <b>SERIES 1 ONLY</b>	•	
	640-000-070	CH - Flow Pipe - WMB - 120 <b>SERIES 1 ONLY</b>		•
450	640-000-071	CH - Return Pipe - <b>SERIES 1 ONLY</b>	•	•
	640-000-126	CH - Return Pipe - <b>SERIES 2 ONLY</b>	•	•
460	640-000-049	Bypass Pipe	•	•
470	640-000-050	Flow Meter Pipe	•	•
480	640-000-051	DHW Outlet Pipe	•	•
490	640-000-072	Gas pipe - WMB 80 <b>ONLY</b>	•	
500	640-000-110	Flow Regulator (4 GPM) (Restrictor)	•	•
510	640-000-136	Heat Exchanger Vent - Gasket	•	•

GAS

# NOTES

# AquaBalance - Series 1 & 2 - 80/120 Heating Only Boiler Replacement Kits And Parts



GAS



## AquaBalance - Series 1 & 2 - 80/120 Heating Only Boiler Replacement Kits And Parts

Item	Part Number	Description/Contents	AB-80	AB-120
100	640-000-116	Heat Exchanger - WMB 80 <b>SERIES 2 ONLY</b>	•	
	640-000-117	Heat Exchanger - WMB 120 <b>SERIES 2 ONLY</b>		•
	640-000-008	Heat Exchanger - WMB 80 <b>SERIES 1 ONLY</b>	•	
	640-000-009	Heat Exchanger - WMB 120 <b>SERIES 1 ONLY</b>		•
110	640-000-011	Flue Temperature Sensor	•	•
120	640-000-020	Blower Assembly	•	•
130	640-000-021	Blower Gasket	•	•
140	640-000-109	Ignitor	•	•
150	640-000-010	Central Heat Exchanger Insulation	•	•
160	640-000-012	Burner	•	•
170	640-000-013	Burner Gasket Set	•	•
180	640-000-016	Burner Cover	•	•
190	640-000-015	Inspection Glass	•	•
200	640-000-022	Natural Gas Conversion Kit - WMB-80 <b>ONLY</b>	•	
	640-000-023	Natural Gas Conversion Kit - WMB-120 <b>ONLY</b>		•
210	640-000-024	Propane Gas Conversion Kit - WMB-80 <b>ONLY</b>	•	
	640-000-025	Propane Gas Conversion Kit - WMB-120 <b>ONLY</b>		•
220	640-000-037	Gas Valve VK8205V	•	•
230	640-000-019	Water Pressure Switch	•	•
240	640-000-034	CH Temperature Probe DP	•	•
250	640-000-035	CH Temperature Probe US	•	•
260	640-000-038	Relief Valve ¾"	•	•
270	640-000-039	NPT Adapters	•	•
280	640-000-055	Gasket Set	•	•
290	640-000-073	Condensate Drain Trap	•	•
300	640-000-107	Vent Adapters - ( 2 Adapters In Kit)	•	•
310	640-000-108	Gaskets - Vent Adapters - (2 Gaskets In Kit)	•	•
320	640-000-044	Wall Mount Bracket	•	•
330	640-000-043	Outdoor Temperature Sensor	•	•
340	640-000-127	CH - Flow Pipe - WMB - 80 <b>SERIES 2 ONLY</b>	•	
	640-000-128	CH - Flow Pipe - WMB - 120 <b>SERIES 2 ONLY</b>		•
	640-000-074	CH - Flow Pipe - WMB - 80 <b>SERIES 1 ONLY</b>	•	
	640-000-075	CH - Flow Pipe - WMB - 120 <b>SERIES 1 ONLY</b>		•

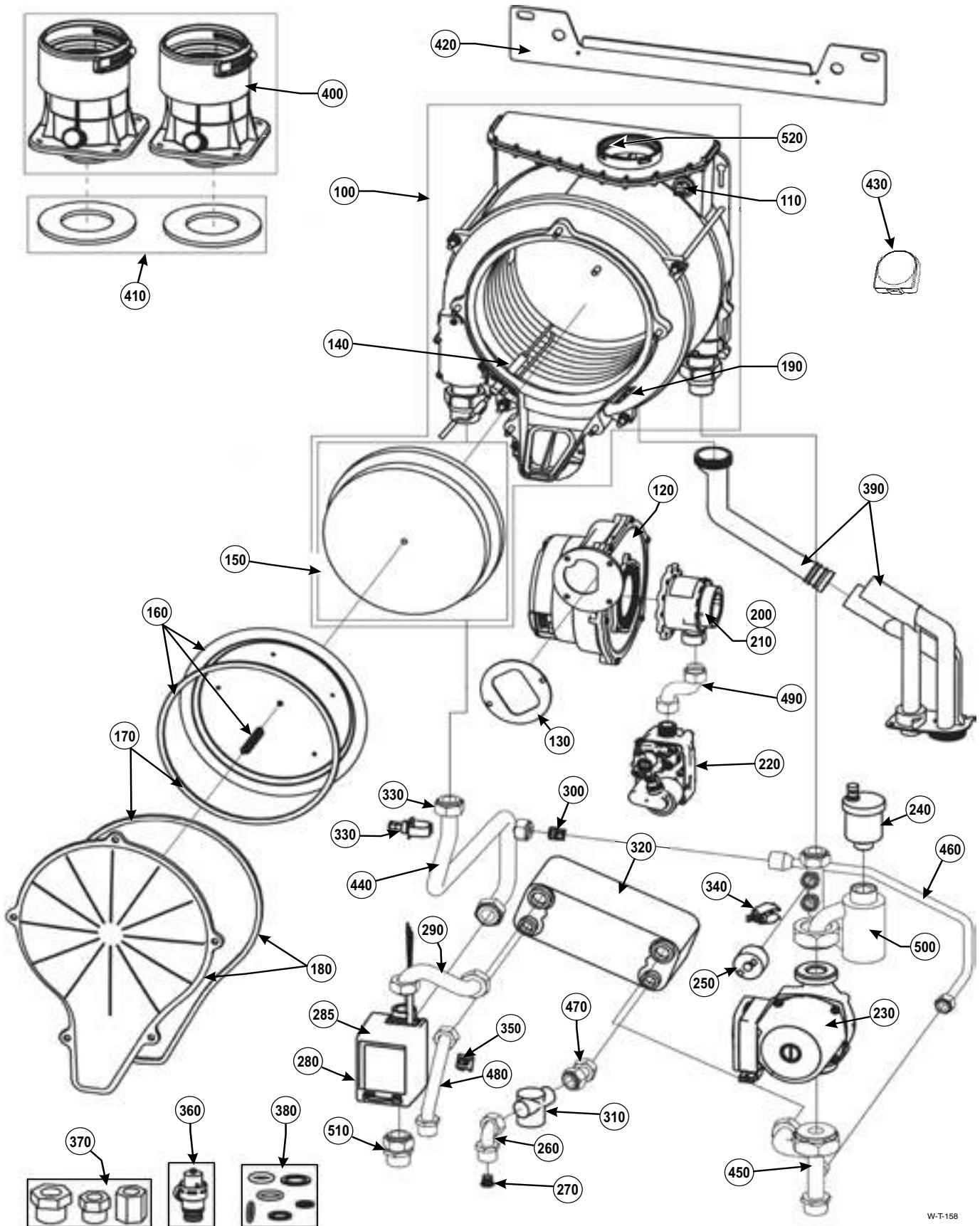
AquaBalance - Series 1 & 2 - 80/120 Heating Only  
Boiler Replacement Kits And Parts

350	640-000-129	CH - Return Pipe <b>SERIES 2 ONLY</b>	•	•
	640-000-076	CH - Return Pipe <b>SERIES 1 ONLY</b>	•	•
360	640-000-072	Gas Pipe	•	
370	640-000-136	Heat Exchanger Vent - Gasket	•	•

GAS

# NOTES

# AquaBalance - Series 1 & 2 - 155C Combi Boiler Replacement Kits And Parts



GAS

## AquaBalance - Series 1 & 2 - 155C Combi Boiler Replacement Kits And Parts

Item	Part Number	Description/Contents
100	640-000-118	Heat Exchanger - <b>SERIES 2 ONLY</b>
	640-000-080	Heat Exchanger - <b>SERIES 1 ONLY</b>
110	640-000-011	Flue Temperature Sensor
120	640-000-081	Blower
130	640-000-021	Blower Gasket
140	640-000-109	Ignitor
150	640-000-010	Central Heat Exchanger Insulation
160	640-000-012	Burner
170	640-000-013	Burner Gasket Set - (Includes Premix Gasket, And Cover Gasket)
180	640-000-016	Burner Cover
190	640-000-015	Inspection Glass
200	640-000-082	Natural Gas Conversion Kit
210	640-000-083	Propane Gas Conversion Kit
	640-000-133	Propane Gas Conversion Kit - <b>SERIES 2 ONLY</b>
220	640-000-037	Gas Valve - VK8205V
230	640-000-086	Circulator - UPS2578
240	640-000-087	Air Separator
250	640-000-019	Water Pressure Switch
260	640-000-098	DHW Inlet Pipe
270	640-000-027	DHW Inlet Water Filter
280	640-000-088	3 Way Valve
285	640-000-134	3 Way Valve Motor
290	640-000-095	3 Way Valve - PHE Pipe
300	640-000-030	N/R Valve Fitting
310	640-000-084	Flow Meter
320	640-000-089	Plate Heat Exchanger - PFH30
330	640-000-034	CH Temperature Probe - DP
340	640-000-035	CH Temperature Probe - US
350	640-000-036	DHW Temperature probe - US
360	640-000-038	Relief Valve - ¾"
370	640-000-090	N.P.T. Adapters
380	640-000-101	Gasket Set
390	640-000-073	Condensate Drain Trap

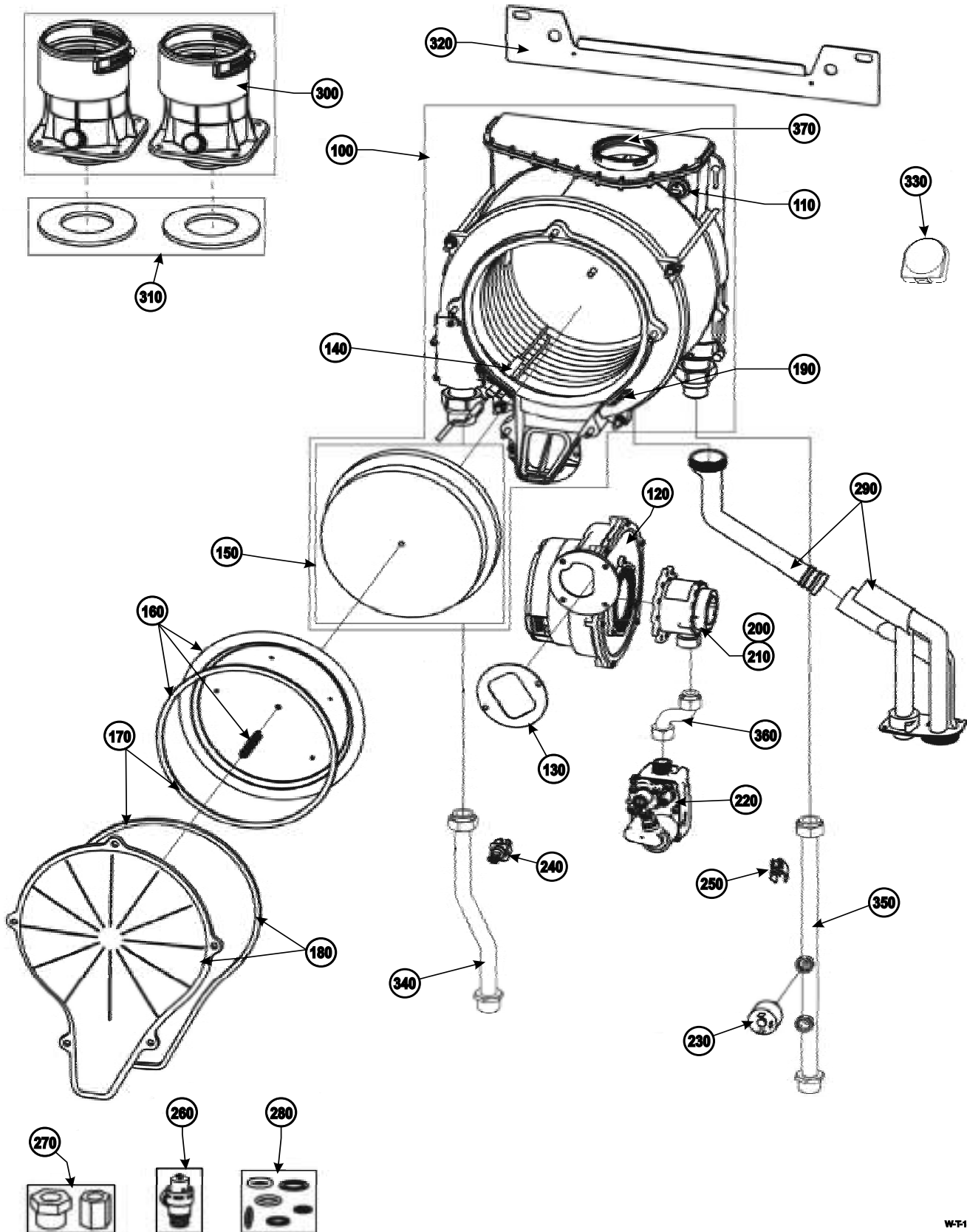
## AquaBalance - Series 1 & 2 - 155C Combi Boiler Replacement Kits And Parts Continued

Item	Part Number	Description/Contents
400	640-000-107	Vent Adapters - ( 2 Adapters In Kit)
410	640-000-108	Gaskets - Vent Adapters - (2 Gaskets In Kit)
420	640-000-044	Wall Mount Bracket
430	640-000-043	Outdoor Temperature Sensor
440	640-000-091	Heat Exchanger Flow Pipe
450	640-000-097	CH - Return Pipe
460	640-000-093	Bypass Pipe
470	640-000-099	Flow Meter PHE Pipe
480	640-000-096	DHW Outlet Pipe
490	640-000-100	Gas Pipe
500	640-000-092	Heat Exchanger Return Pipe
510	640-000-094	CH Flow pipe
520	640-000-136	Heat Exchanger Vent - Gasket

GAS

# NOTES

# AquaBalance - Series 1 & 2 - 155H - Heating Only Boiler Replacement Kits And Parts



GAS



## AquaBalance - Series 1 & 2 - 155H - Heating Only Boiler Replacement Kits And Parts

Item	Part Number	Description/Contents
100	640-000-118	Heat Exchanger - <b>SERIES 2 ONLY</b>
	640-000-080	Heat Exchanger - <b>SERIES 1 ONLY</b>
110	640-000-011	Flue Temperature Sensor
120	640-000-081	Blower
130	640-000-021	Blower Gasket
140	640-000-109	Ignitor
150	640-000-010	Central Heat Exchanger Insulation
160	640-000-012	Burner
170	640-000-013	Burner Gasket Set - (Includes Premix Gasket, And Cover Gasket)
180	640-000-016	Burner Cover
190	640-000-015	Inspection Glass
200	640-000-082	Natural Gas Conversion Kit
210	640-000-083	Propane Gas Conversion Kit
	640-000-133	Propane Gas Conversion Kit - <b>SERIES 2 ONLY</b>
220	640-000-037	Gas Valve - VK8205V
230	640-000-019	Water Pressure Switch
240	640-000-034	CH Temperature Probe - DP
250	640-000-035	CH Temperature Probe - US
260	640-000-038	Relief Valve - 3/4"
270	640-000-104	NPT Adapters
280	640-000-102	Gasket Set
290	640-000-073	Condensate Drain Trap
300	640-000-107	Vent Adapters - ( 2 Adapters In Kit)
310	640-000-108	Gaskets - Vent Adapters - (2 Gaskets In Kit)
320	640-000-044	Wall Mount Bracket
330	640-000-043	Outdoor Temperature Sensor
340	640-000-106	CH - Flow Pipe
350	640-000-105	CH - Return Pipe
360	640-000-100	Gas Pipe
370	640-000-136	Heat Exchanger Vent - Gasket

## AquaBalance - Series 1 & 2 - 80/120/155 Miscellaneous Parts And Kits

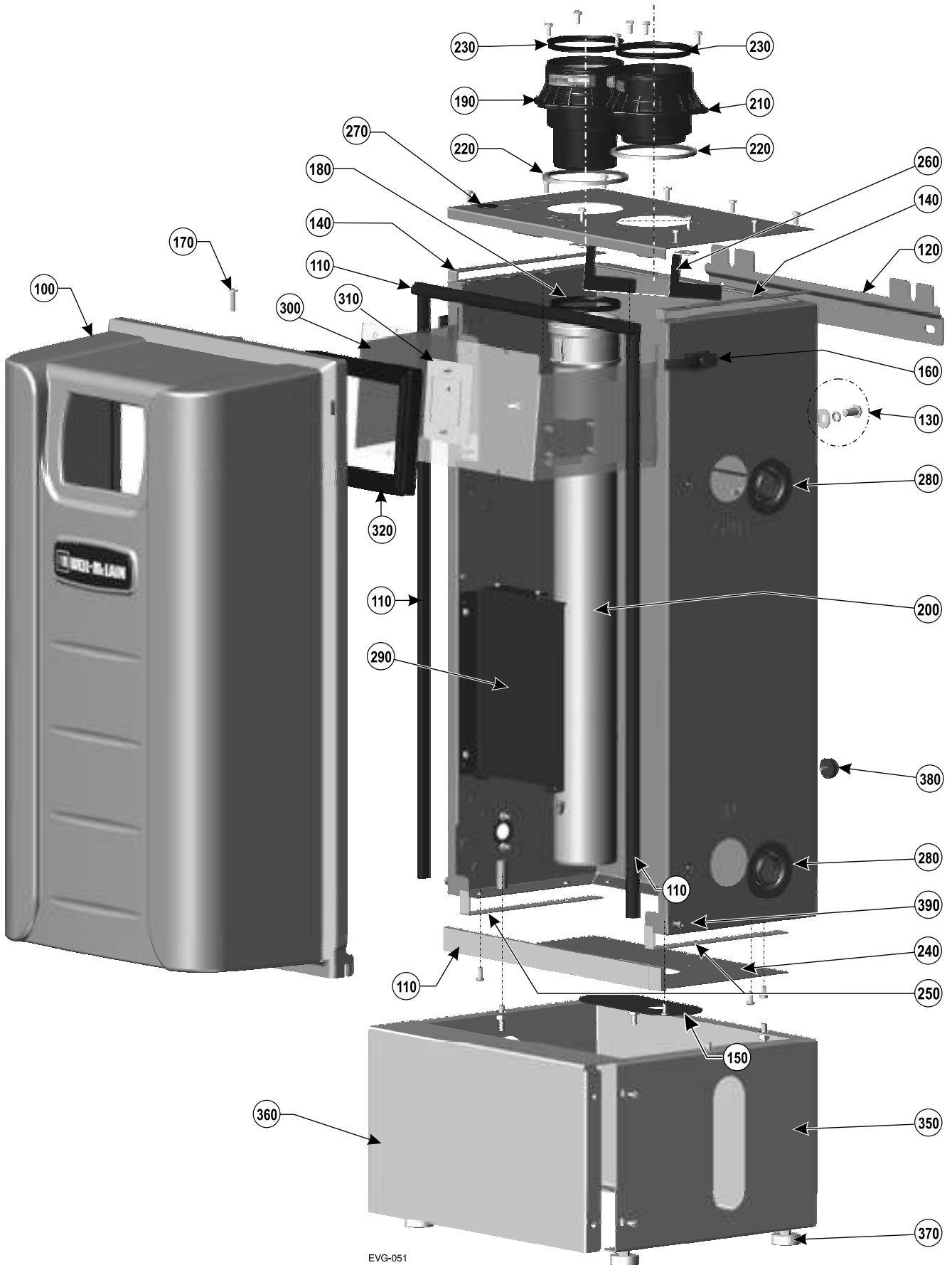
Fig No.	Part No.	Description
<b>Chemicals</b>		
N/S	592-900-029	Antifreeze, Sentinel X500 - ( 1 Gallon)
	592-900-002	Corrosion Inhibitor, Sentinel X100
	592-900-005	Sentinel X100 Quick Test Kit
	592-900-003	Cleaner, Sentinel X400
<b>Boiler Accessories</b>		
N/S	640-000-044	Wall Mount Kit - (Includes Wall-Mount Bracket, and Hardware) - Supplied With Boiler
	640-000-073	Condensate Trap Kit - (Includes Trap assembly And Flexible Line) - Supplied With Boiler
<b>Condensate Handling Accessories</b>		
N/S	383-500-631	Condensate Neutralizer Kit
	640-000-114	Annual Maintenance Kit 80/120 - Includes - (Ignitor, Water Filter, Gaskets, and Instructions)
	640-000-112	Annual Maintenance Kit - 155 - Includes - (Ignitor, Water Filter, Fan & Burner Gaskets, Gasket Kit For Combi & Heat Only, And Instructions)
<b>Vent/Air Parts and Kits</b>		
	640-000-135	Direct Exhaust Venting Kit - Includes (Cover Plates, Vent Screens, Mounting Hardware For 2" and 3" Vent Sizes)
	383-700-171	Sidewall Separate Pipes Vent / Air Termination Kit For 2" PVC Vent And Air Pipes (Includes 2 Cover Plates)
	383-500-100	Sidewall Separate Pipes Vent / Air Termination Kit For 3" PVC Vent And Air Pipes (Includes 2 Cover Plates)
	383-700-172	Sidewall Separate Pipes Vent / Air Termination Kit For 3" AL29-4C And Air Pipe (Includes 2 Cover Plates)
	383-700-167	PVC Concentric Vent Kit - (Includes Components For Vertical Or Horizontal Assembly) For 2" PVC Vent And Air Pipes
	383-500-350	PVC Concentric Vent Kit - (Includes Components For Vertical Or Horizontal Assembly) For 3" PVC Vent And Air Pipes
	2PPS-HK	M&G Simpson-Duravent PolyPro Sidewall Concentric Vent/Air Kit; Color White (2" Polypropylene Pipe)
	3PPS-HK	M&G Simpson-Duravent PolyPro Sidewall Concentric Vent/Air Kit; Color White (3" Polypropylene Pipe)
	2PPS-VK	M&G Simpson-Duravent PolyPro Vertical Concentric Vent/Air Kit; Color = Black-(VK Suffix) Or Terra Cotta-(TC Suffix) - (2" Polypropylene Pipe)
	3PPS-VK	M&G Simpson-Duravent PolyPro Vertical Concentric Vent/Air Kit; Color = Black-(VK Suffix) Or Terra Cotta-(TC Suffix) - (3" Polypropylene Pipe)
	2PPS-HTP	M&G Simpson-Duravent PolyPro Sidewall Separate Vent/Air Kit - (2" Polypropylene Pipe)
	3PPS-HTP	M&G Simpson-Duravent PolyPro Sidewall Separate Vent/Air Kit - (3" Polypropylene Pipe)
	ICRT2439	Centrotherm INNOFLUE VERTICAL Concentric Vent Air Kit - (2" Polypropylene Pipe)
	ICRT3539	Centrotherm INNOFLUE VERTICAL Concentric Vent Air Kit - (3" Polypropylene Pipe)

GAS

AquaBalance - Series 1 & 2 - 80/120/155  
Miscellaneous Parts And Kits

<b>Vent/Air Parts and Kits</b>		
	ICWT352	Centrotherm INNOFLUE Sidewall Concentric Vent Air Kit - (3" Polypropylene Pipe)
	ICWS2413	Centrotherm INNOFLUE Sidewall Concentric Vent Air Kit - (2" Stainless Steel/PP Pipe)
	ICWS3513	Centrotherm INNOFLUE Sidewall Concentric Vent Air Kit - (3" Stainless Steel/PP Pipe)
	383-500-106	Bird Screen For 2" PVC Vent/Air Pipes - (2 Required)
	383-500-105	Bird Screen For 3" PVC Vent/Air Pipes - (2 Required)

# Evergreen Jacket Assembly - 70/110/155



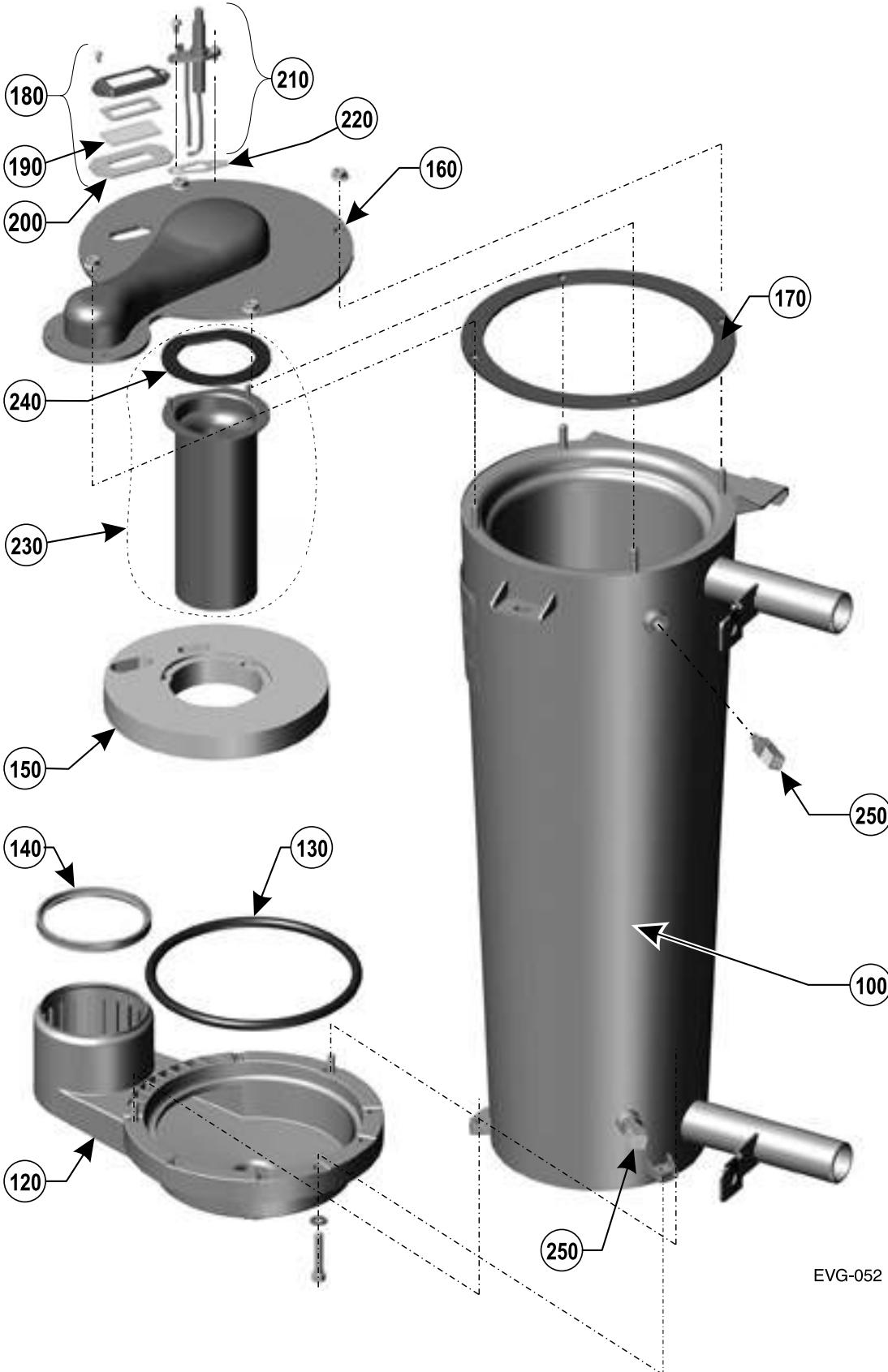
GAS

EVG-051

## Evergreen Jacket Assembly Parts - 70/110/155

Item	Part Number	Description/Contents	Model
100	383-900-101	Jacket Door - (Includes Labels)	ALL
110	383-900-102	Jacket Door To Cabinet Seals - (For Front Face)	ALL
120	383-800-218	Wall Mount Bracket - (Wall Side, Includes Hardware)	ALL
130	383-800-219	Wall Mount Hardware - (Boiler Side - Includes 2 Each Bolts, Washers, Spacers)	ALL
140	383-800-220	Upper Panel To Cabinet Gaskets	ALL
150	590-318-071	Heat Exchanger To Bottom Panel Gaskets	ALL
160	383-700-122	Door Latch - ( 2 Required - Includes Rivets)	ALL
170	562-150-290	Door Retention Screw - ( Truss Head - 10-24) - Purchase Locally	ALL
180	590-318-051	Internal Flue Pipe To Adapter Gasket - Fits Inner Diameter Of Flue Pipe	ALL
190	560-907-719	Flue Pipe Adapter - Top Flue Adapter With Internal Gasket	ALL
200	560-907-720	Boiler Flue Pipe - Internal Flue Pipe With Gasket	ALL
210	560-907-718	Air Inlet Adapter - Top Air Inlet Adapter With Internal Gasket	ALL
220	590-300-031	Pipe Adapter To Cabinet Gasket - Applies To Air And Vent Adapters	ALL
230	590-318-052	Pipe Adapter To System Pipe Gasket - Inner Diameter Of Top Adapter	ALL
240	383-900-103	Jacket Bottom Panel Kit -(Includes Panel, Gasket, and Screws)	ALL
250	383-900-104	Bottom Panel To Cabinet Gasket	ALL
260	383-800-223	Air Baffle And Screws	ALL
270	561-444-186	3/8" Hole Plug- For Sealing Electrical Knockouts	ALL
290	383-800-228	Control/Transformer Bracket	ALL
300	383-900-105	Display Board Bracket	ALL
320	590-318-121	Display/Door Gasket	ALL
N/S	383-700-238	Condensate Bracket For 70/110 Boilers - (Includes Rivets)	70/110
	383-700-239	Condensate Bracket For 155 Boiler - (Includes Rivets)	155
350	383-900-106	Floor Stand Assembly	ALL
360	383-900-107	Floor Stand Front Panel	ALL
370	383-500-065	Boiler Leg Kit - (Includes 4 Leveling Guides 5/16-18)	ALL

# Evergreen Heat Exchanger - 70/110



EVG-052

GAS

## Evergreen Heat Exchanger Parts - 70/110

Item	Part Number	Description/Contents	Model	
			70	110
100	383-800-234	Heat Exchanger	•	
	383-800-238			•
110	383-800-236	Heat Exchanger, Condensate Dish, Cover Plate, Burner, Igniter, Sight Glass, Refractory, Water Sensors, Gaskets, Silicone, And Hardware - (Includes Items 100,120,130,140,160,180,210,240, And 260)	•	
	383-800-239			•
120	383-700-102	Condensate Dish, Gaskets And Hardware	•	•
130	383-700-103	Heat Exchanger To Condensate Dish Gasket	•	•
140	383-700-104	Condensate To Internal Flue Pipe Gasket	•	•
150	383-700-105	Refractory Insulation And Silicone Sealant	•	
	383-700-244			•
160	383-700-108	Heat Exchanger Cover Plate, Refractory, Silicone, And Gaskets - (Includes Items 150,170,200,220, And 250)	•	
	383-800-240			•
170	383-700-109	Cover Plate Gasket	•	•
180	383-700-185	Sight Glass Kit -( Includes Bracket, Glass, Gaskets, And Hardware - (Includes190, And 200)	•	•
190	591-419-202	Sight Glass	•	•
200	383-700-112	Sight Glass Gaskets - Upper And Lower	•	•
210	383-700-113	Igniter Kit - (Includes Igniter, Gasket, And Screws)	•	
	383-700-245			•
220	590-300-034	Igniter To Cover Plate Gasket	•	•
230	383-700-106	Burner, Gasket, And Hardware	•	
	383-700-246			•
240	383-700-107	Burner Gasket	•	
	383-700-247			•
250	511-724-296	Heat Exchanger Water Temperature Sensor - (Includes One Sensor- Either Inlet Or Outlet)	•	•

# Evergreen Heat Exchanger - 155



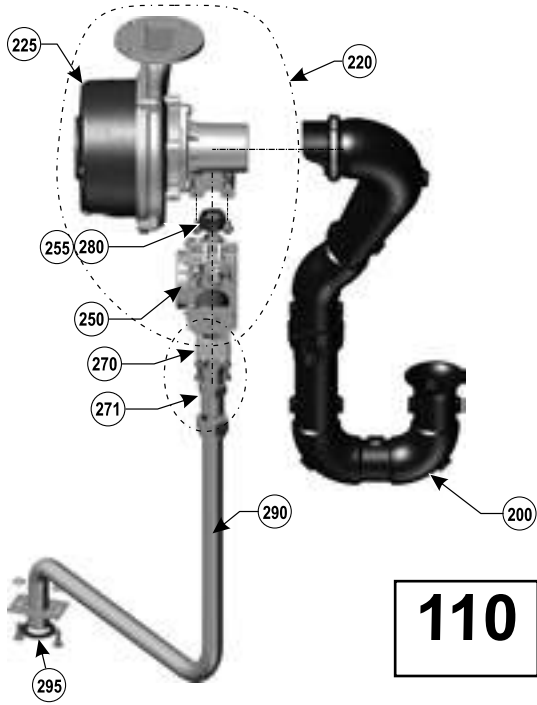
EVG-152



## Evergreen Heat Exchanger Parts - 155

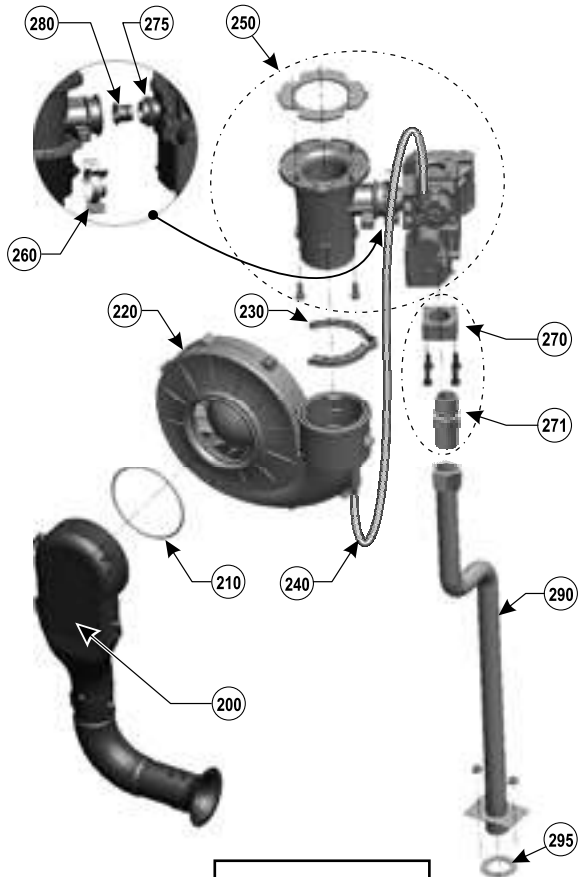
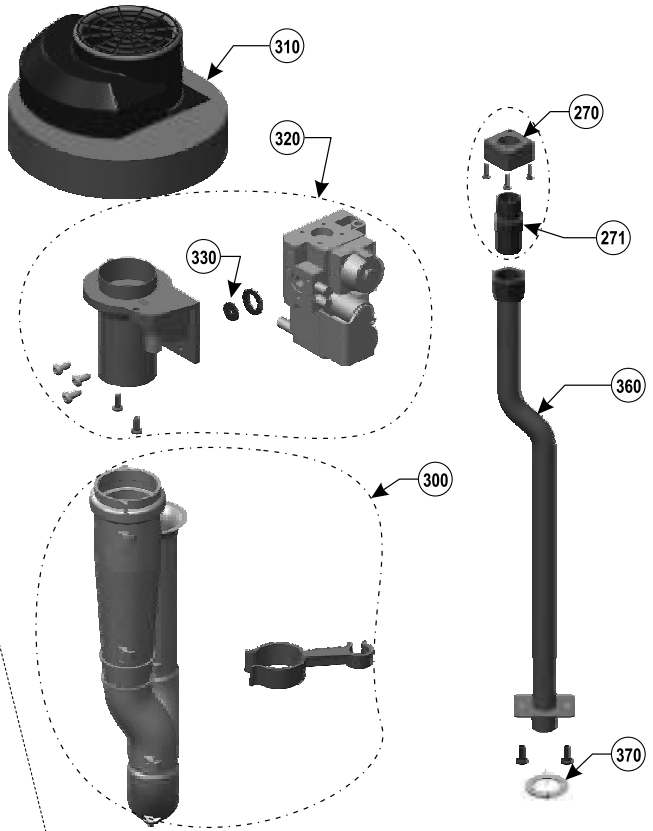
Item	Part Number	Description/Contents	Model
100	383-800-231	Heat Exchanger	155
110	383-800-233	Heat Heat Exchanger, Condensate Dish, Cover Plate, Burner, Igniter, Sight Glass, Refractory, Water Sensors, Gaskets, Silicone, And Hardware - (Includes Items 100,130,140,160, 170,180,190, 200, 210, And 270)	155
120	590-318-054	Cover Plate/ Heat Exchanger Gasket	155
130	511-724-296	Boiler Water Inlet Temperature Sensor - 130, And 140 Same sensor	155
140		Boiler Water Outlet Temperature Sensor -130, And 140 Same sensor	155
150	590-318-006	Blower Gasket	155
160	383-700-181	Condensate Dish, Gaskets, And Hardware	155
170	383-700-205	Gasket To Seal Heat Exchanger To Condensate Dish	155
180	383-700-104	Gasket To Seal Condensate Dish To Internal Flue Pipe	155
190	383-700-184	Heat Exchanger Cover Plate, Refractory, And Gaskets - (Includes 200,230,260, And 290)	155
200	383-700-182	Refractory Insulation And Silicone Sealant	155
210	383-700-183	Burner, Gasket, And Hardware - (Includes 220)	155
220	383-700-208	Burner Gasket	155
230	383-700-202	Burner Access Cover, Gasket, And Hardware - (Includes 240)	155
240	383-700-206	Burner Access Cover Gasket	155
250	383-700-187	Igniter Kit - (Includes Igniter, Gasket, And Screws) ( Includes 260)	155
260	590-300-034	Igniter Gasket	155
270	383-700-185	Sight Glass Kit -( Includes Bracket, Glass, Gaskets, And Hardware - (Includes 280, And 290)	155
280	591-419-202	Sight Glass	155
290	383-700-112	Sight Glass Gaskets - Upper And Lower	155
300	383-700-207	Heat exchanger Cover Plate Gasket Set - (Icludes 120,150,220,240,And 260)	155

# Evergreen Combustion Components - 70/110/155

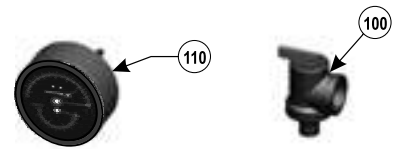


**110**

**155**



**70**



EVG-053

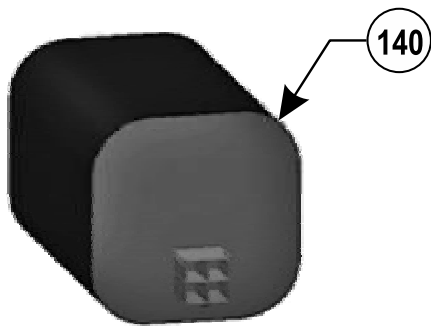
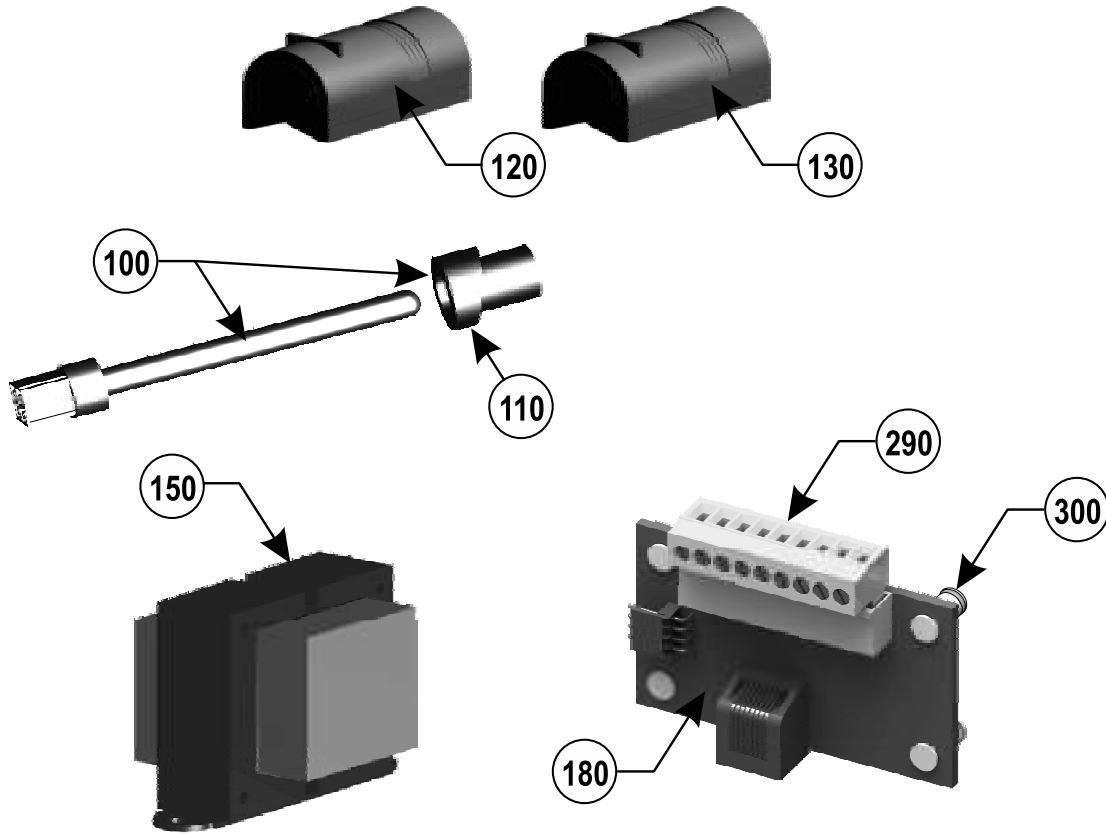
GAS

**Evergreen**  
**Combustion Components Parts - 70/110/155**

Item	Part Number	Description/Contents	Model	
			70	110
100	383-500-095	Relief Valve - 30 PSIG	•	•
110	380-000-000	Pressure / Temperature Gauge	•	•
200	383-700-155	Air Inlet Silencer	•	
	383-700-248			•
210	590-318-049	Air Silencer O-Ring	•	
220	383-700-157	Blower, Clip, And Gasket	•	
	383-700-249	Blower, Venturi, And Gas Valve Assembly		•
225	383-700-260	Blower, Venturi, And Blower Gasket		•
230	562-650-115	Blower Retainer Clip	•	
240	590-300-001	Blower To Gas Valve Reference Tube	•	
250	383-700-159	Gas Valve/Venturi Assembly - (Includes Gas valve, Ventrui, Gasket, O-Ring, Clip, And Screws)	•	
	383-700-259	Gas Valve - (Includes Gas Valve, Rubber Boot, And Screws)		•
255	383-700-261	Gas Valve/Venturi Rubber Boot		•
260	562-650-116	Gas Valve Retainer Clip	•	
270	563-910-031	Gas Valve Adapter Block - (Includes O-Ring And Screws)	•	•
271	562-302-576	Gas Flex Line Adapter	•	•
273	383-600-009	Gas Valve Adapter Block O-Ring - (Includes 10 O-Rings)	•	•
275	590-318-045	Gas Valve Outlet O-Ring	•	
280	N/A	Propane Orifice - Available Only with Propane Conversion Kit		
290	383-800-224	Gas Flex Line - (Includes Gas Line, Seal, And Hardware)	•	
	383-800-241			•
295	590-300-027	Gas Flex Line To Cabinet Gasket	•	•
100	383-500-095	Relief Valve - 30 PSIG	<b>Evergreen 155</b>	
110	380-000-000	Pressure / Temperature Gauge		
270	563-910-031	Gas Valve Adapter Block - (Includes O-Ring And Screws)		
271	562-302-576	Gas Flex Line Adapter		
273	383-600-009	Gas Valve Adapter Block O-Ring - (Includes 10 O-Rings)		
300	383-700-203	Air Inlet Silencer With Gasket And Clip		
310	383-700-195	Blower		
320	383-700-196	Gas Valve/Venturi Assembly - (Includes Gasket, And Hardware)		
330	N/A	Propane Orifice - Available Only With Propane Conversion Kit		
360	383-800-241	Gas Flex Line - (Includes Hardware)		
370	590-300-027	Gas Flex Line To Cabinet Gasket		

GAS

Evergreen  
Controls / Electrical Assemblies - 70/110/155



**LWCO  
(Standard Equipment)**

EVG-154

GAS

**Evergreen**  
**Controls/Electrical Assembly Parts - 70/110/155**

Item	Part Number	Description/Contents
100	383-500-600	Flue Temperature Sensor And Grommet - 1 Each
110	590-318-011	Grommet Flue Temperature Sensor - 1 Each
120	510-312-218	Outdoor Temperature Sensor - 1 Each
130	383-500-601	System Temperature Sensor - 1 Each
140	511-100-005	Low Water Cut Off
150	383-500-628	Transformer 120V/24V - 50VA
160	383-900-108	Display Board Housing - Includes Circuit Board
170	381-330-037	Control Module Assembly
180	383-900-110	Communication Board - 1 Each
N/S	591-392-047	Line Voltage Wire Harness Evergreen -70 - Connects To Module, P1, And Blower
	591-392-044	Line Voltage Wire Harness Evergreen -110 - Connects To Module, P1, And Blower
	591-392-043	Line Voltage Wire Harness Evergreen -155 - Connects To Module, P1, And Blower
	591-392-048	Low Voltage Wire Harness Evergreen - 70 - Connects To Return And Supply Sensors, Flue Sensor, Gas Valve, And Blower Control.
	591-392-045	Low Voltage Wire Harness Evergreen -110 - Connects To Return And Supply Sensors, Flue Sensor, Gas Valve, And Blower Control.
	591-392-046	Low Voltage Wire Harness Evergreen -155 - Connects To Return And Supply Sensors, Flue Sensor, Gas Valve, And Blower Control.
	591-392-004	Low Voltage Communication Board Wire Harness - Connects Communication Board To Module
	591-392-009	Communication Ethernet Wire Harness
	591-392-012	Ignition Cable
	383-500-603	F1 - 3 Amp - Fast Blow ATO Fuses - 5 Each
	383-500-604	F2 - 12 Amp - Fast Blow AG Fuses - 5 Each
	383-500-641	Low Voltage Terminal Block Jumper - 5 Each
	383-900-111	Electrical Control Connector - 8 Each
	562-248-771	Low Voltage Wire Grommet - Seals Thermostat Wire At Entrance To Cabinet
	290	512-050-248
300	383-900-112	Communication Board Stand Offs - 4 Each

Evergreen  
Miscellaneous Parts And Kits - 70/110/155

Fig No.	Part No.	Description
<b>Chemicals</b>		
N/S	592-900-029	Antifreeze, Sentinel X500 - ( 1 Gallon)
	592-900-002	Corrosion Inhibitor, Sentinel X100
	592-900-005	Sentinel X100 Quick Test Kit
	592-900-003	Cleaner, Sentinel X400
<b>Boiler Accessories</b>		
N/S	383-700-165	Evergreen 70 Maintenance Kit - (Includes Igniter, Igniter Gasket, Venturi Gasket, Cover Plate Gasket, Venturi-Gas Valve O-ring, Refractory, Silicone, Inhibitor Test Kit, Clips, and Manuals)
	383-700-243	Evergreen 110 Maintenance Kit - (Includes Igniter, Igniter Gasket, Venturi Gasket, Cover Plate Gasket, Venturi-Gas Valve O-ring, Refractory, Silicone, Inhibitor Test Kit, Clips, and Manuals)
	383-700-200	Evergreen 155 Maintenance Kit - (Includes Igniter, Igniter Gasket, Venturi Gasket, Cover Plate Gasket, Venturi-Gas Valve O-ring, Refractory, Silicone, Inhibitor Test Kit, Clips, and Manuals)
	383-600-322	Modbus Converter To BacNet
	383-600-332	Modbus Converter To Lonworks
<b>Condensate Handling Accessories</b>		
N/S	383-500-631	Condensate Neutralizer Kit
	560-907-722	Condensate Drain Trap Kit- (Includes Trap Assembly And Flexible Line)
<b>Natural Gas To Propane Conversion Kits</b>		
N/S	540-202-837	<b>Evergreen-70</b>
	540-131-088	<b>Evergreen-110</b>
	540-202-839	<b>Evergreen-155</b>

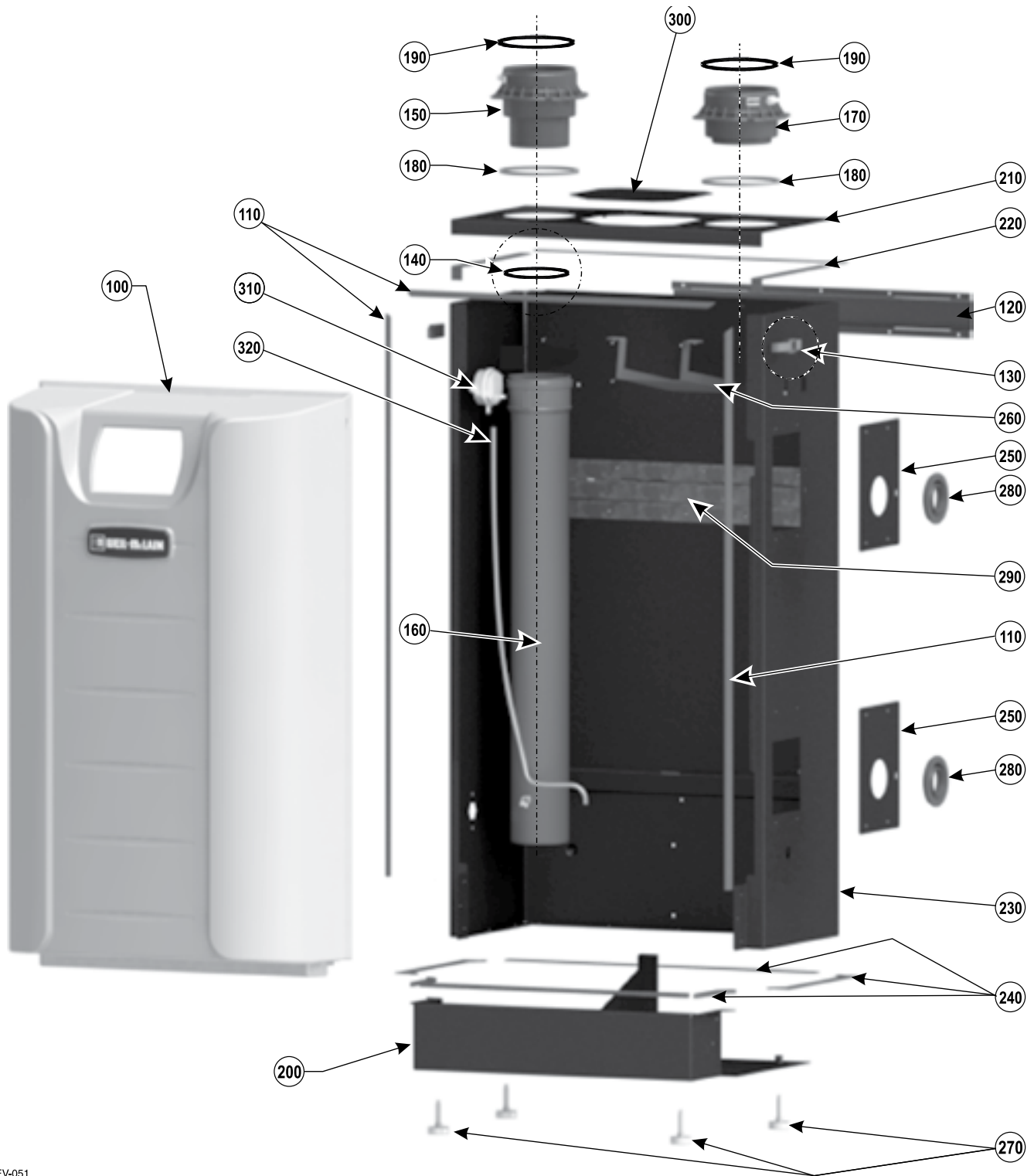
GAS

**Evergreen**  
**Miscellaneous Parts And Kits - 70/110/155**

<b>Vent/Air Parts and Kits</b>		
N/S	383-500-397	Weil-McLain Sidewall Vent/Air Cap Termination Kit For 3" PVC vent And Air Pipes - (Includes W-M Sidewall Vent/Air Termination Cap, Inside And Outside Cover Plates, And Mounting Hardware) Openings Are Sized For 3" PVC If using 2" Field Installed 3X2 Adapter Is Required
	382-200-430	Weil-McLain Sidewall Vent/Air Cap Termination Kit For AL29-4C Vent And PVC Air Pipe - (Includes W-M Sidewall Vent/Air Termination Cap, Inside And Outside Cover Plates, And Mounting Hardware) Openings Are Sized For 3" SS Vent Pipe And 3" PVC Air Pipe. If using 2" Field Installed 3X2 Adapter Is Required
	383-700-171	Sidewall Separate Pipes Vent/Air Termination Kit - (Includes 2 Cover Plates) For 2" PVC Vent And Air Pipes
	383-500-100	Sidewall Separate Pipes Vent/Air Termination Kit - (Includes 2 Cover Plates) For 3" PVC Vent And Air Pipes
	383-700-172	Sidewall Separate Pipes Vent/Air Termination Kit - (Includes 2 Cover Plates) For 3" AL29-4C SS Vent And PVC Air Pipes
	383-700-167	PVC Concentric Vent Kit - (Includes Components For Vertical Or Horizontal Assembly) For 2" Vent And Air Pipes
	383-500-350	PVC Concentric Vent Kit - (Includes Components For Vertical Or Horizontal Assembly) For 3" Vent And Air Pipes
	2PPS-HK	M&G Simpson-Duravent PolyPro Sidewall Concentric Vent/Air Kit; Color = White (2" Polypropylene Pipe)
	3PPS-HK	M&G Simpson-Duravent PolyPro Sidewall Concentric Vent/Air Kit; Color =White (3" Polypropylene Pipe)
	2PPS-VK	M&G Simpson-Duravent PolyPro Vertical Concentric Vent/Air Kit; Color = Black-(VK Suffix) Or Terra Cotta-(TC Suffix) - (2" Polypropylene Pipe)
	3PPS-VK	M&G Simpson-Duravent PolyPro Vertical Concentric Vent/Air Kit; Color = Black-(VK Suffix) Or Terra Cotta-(TC Suffix) - (3" Polypropylene Pipe)
	2PPS-HTP	M&G Simpson-Duravent PolyPro Sidewall Separate Air/Vent Kit; (2" Polypropylene Pipe)
	3PPS-HTP	M&G Simpson-Duravent PolyPro Sidewall Separate Vent/Air Kit; (3" Polypropylene Pipe)
	3PPS-C3PVCM-3PPF	M&G Simpson-Duravent PolyPro - (3" Polypropylene Pipe Appliance Adapter)
	ICRT2439	Centrotherm INNOFLUE VERTICAL Concentric Vent Air Kit - (2" Polypropylene Pipe)
	ICRT3539	Centrotherm INNOFLUE VERTICAL Concentric Vent Air Kit - (3" Polypropylene Pipe)
	ICWT352	Centrotherm INNOFLUE Sidewall Concentric Vent Air Kit - (3" Polypropylene Pipe)
	ICWS2413	Centrotherm INNOFLUE Sidewall Concentric Vent Air Kit - (2" Stainless Steel/PP Pipe)
	ICWS3513	Centrotherm INNOFLUE Sidewall Concentric Vent Air Kit - (3" Stainless Steel/PP Pipe)
	ISAAL0303	Centrotherm INNOFLUE Polypropylene Appliance Adapter - For 3" Polypropylene Pipe
	560-907-728	Bird Screen For 2" PVC Vent/Air Pipes - (2 Required)
	383-500-105	Bird Screen For 3" PVC Vent/Air Pipes - (2 Required)

GAS

# Evergreen Jacket Assembly - 220/299/300/399



GAS

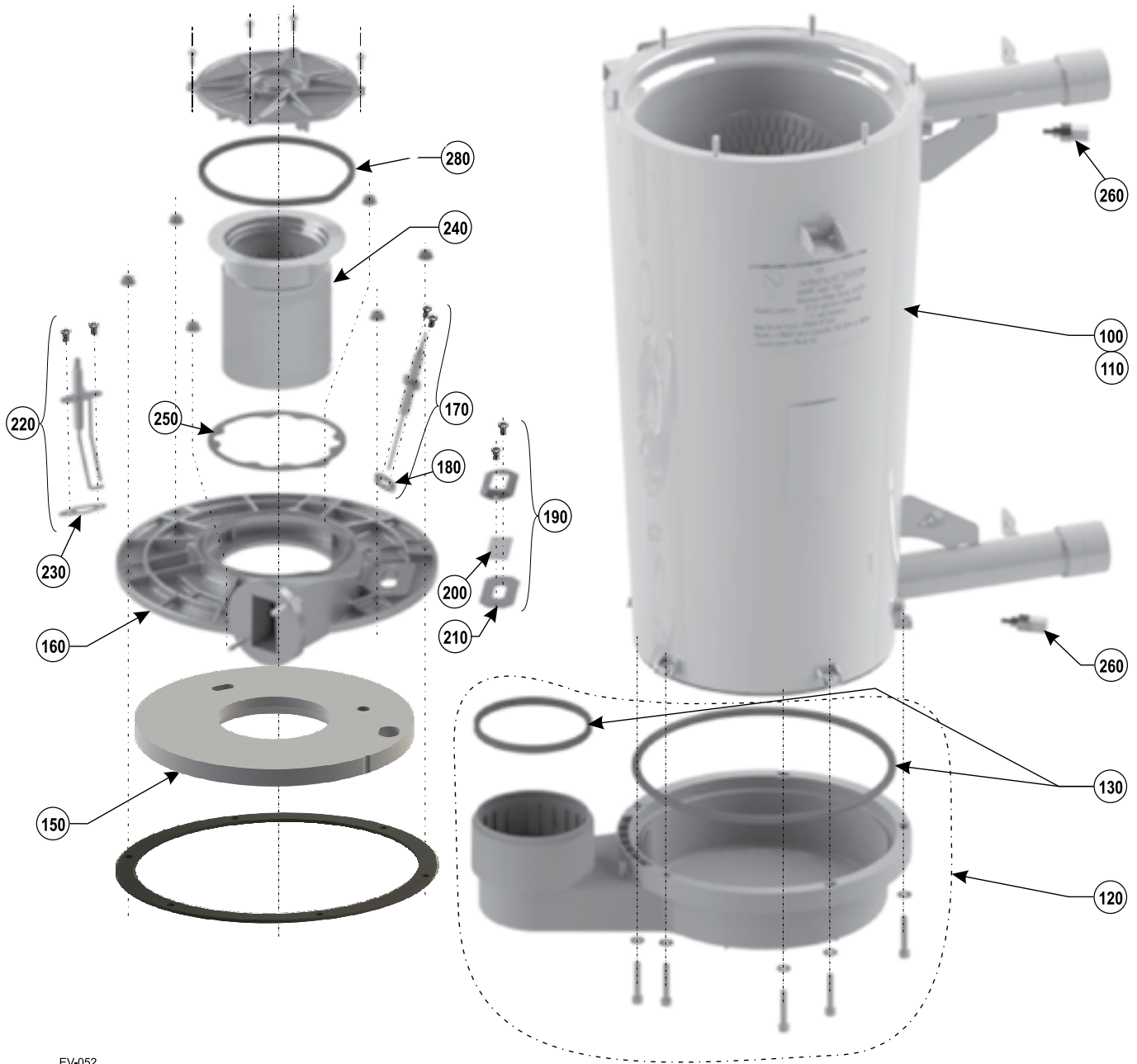
EV-051



**Evergreen**  
**Jacket Assembly Parts - 220/299/300/399**

Item	Part Number	Description/Contents	Model
100	383-900-073	Front Door - (Includes WM Logo and Gaskets)	All
110	383-900-070	Front Door Gasket Kit - (Includes Right, Left, and Top Gaskets)	All
120	383-900-086	Wall Mount Bracket - Jacket Side - (Includes Screws)	All
130	383-700-122	Door Latch - (Includes Rivets) (2) Required	All
140	383-900-028	Gasket Kit - (Includes Flue Pipe Gaskets And Condensate Dish Gasket)	All
150	383-900-014	Flue Pipe Adapter - (Includes Top Flue Adapter and Internal Gasket)	All
160	383-900-015	Boiler Flue Pipe - (Includes Internal Flue Pipe and Gasket)	All
170	383-900-013	Air Inlet Adapter - (Includes Top Air Inlet Adapter and Gasket)	All
180	383-900-058	Gasket - Pipe Adapter To Cabinet	All
190	590-318-106	Gasket - Pipe Adapter To System Pipe - (Gasket Fits Inner Diameter Of Adapter)	All
200	383-900-042	Jacket Panel Bottom - (Includes Bottom Gasket, Leveling Legs, and Screws)	All
210	383-900-043	Jacket Panel Top - (Includes Top gasket and Screws)	All
220	383-900-052	Gasket Kit - (Jacket Panel Top) (Seals Top Panel Cabinet)	All
230	383-900-044	Jacket Panel Back - (Includes Brackets, Gaskets, Door Latches, and Screws)	All
240	383-900-051	Gasket Kit - (Jacket Panel Bottom) (Seals Bottom Panel Cabinet)	All
250	383-900-085	Bracket Piping - (Includes Screws) ( 2 Required)	All
260	383-900-084	Air Baffle - (Includes Screws)	All
270	383-500-065	Boiler Leg Kit - (4 Required)	All
280	562-248-762	Grommet Sealing - (Sealing Water Pipes To Cabinet) (2 Required)	All
290	383-900-087	Bracket Mounting Heat Exchanger - (Includes Screws)	All
300	383-900-041	Panel - Burner Access - (Includes Hardware)	All
310	383-900-080	Pressure Switch - Set Point 3.25 W.C.	All
320	590-300-056	Tube - Pressure Switch	All
N/S	592-002-033	Touch Up Paint - Black - Low-E, 4.5 oz Can	All

# Evergreen Heat Exchanger - 220



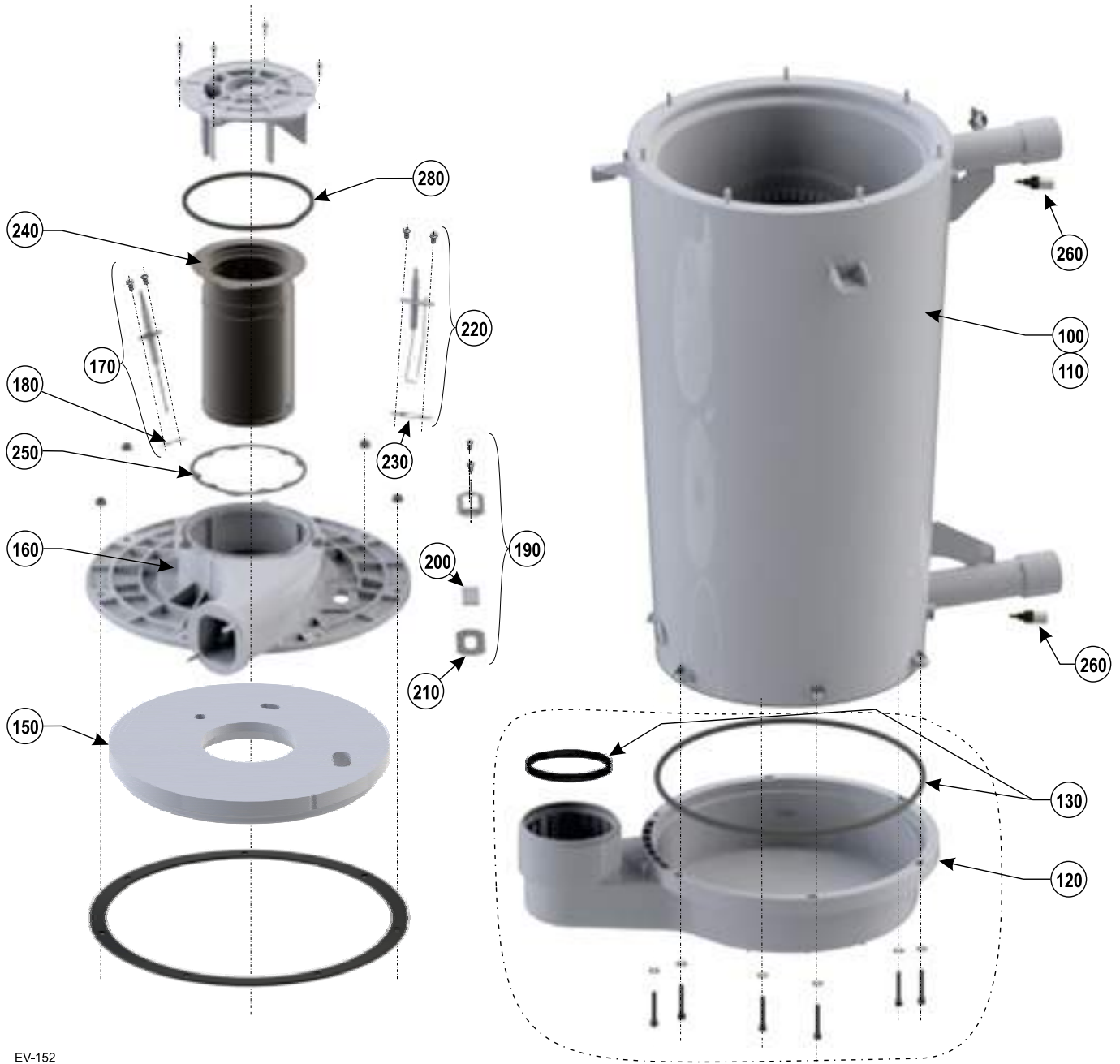
EV-052

GAS

## Evergreen Heat Exchanger Parts - 220

Item	Part Number	Description/Contents	Model
100	383-900-025	Heat Exchanger, Gaskets and Hardware - (Includes Items 130 and 150)	220
110	383-900-069	Heat Exchanger, Condensate Dish, Cover Plate, Burner, Igniter, Sight Glass, Refractory, Water Sensors, Gaskets, Silicone, and Hardware - (Includes Items 120 Through 280)	220
120	383-900-012	Condensate Dish, Gaskets ,Hardware - (Includes Item 130)	220
130	383-900-028	Gasket To Seal Heat Exchanger To Condensate Dish - (Includes Flue Pipe Gaskets)	220
150	383-900-032	Refractory Insulation & Silicone Sealant, Igniter Gasket, Flame Rod Gasket, and Burner Gasket	220
160	383-900-016	Heat Exchanger Cover Plate, Refractory, Silicone, Gaskets, and Hardware (Includes Items 150, 190, and 270)	220
170	383-900-094	Flame Sense Rod Kit - (Includes Flame Sense Rod, Gasket, and Screws)	220
180	590-300-057	Flame Sense Gasket	220
190	383-900-099	Sight Glass Kit - (Includes Bracket, Glass, Gaskets, and Hardware)	220
200	591-419-202	Sight Glass	220
220	383-900-033	Igniter Kit - (Includes Igniter, Gasket, and Screws)	220
230	590-300-034	Igniter To Cover Plate Gasket	220
240	383-900-022	Burner Kit - (Includes Item 280, Burner, Gaskets, and Screws)	220
250	383-900-060	Burner Gasket	220
260	511-724-296	Heat Exchanger Water Temperature Sensor - (2 Required) One Sensor For Either Boiler Inlet Or Outlet Water Temperature)	220
280	383-900-010	Burner Access Cover Gasket, Burner Gasket, and Hardware	220

# Evergreen Heat Exchanger - 299/300/399

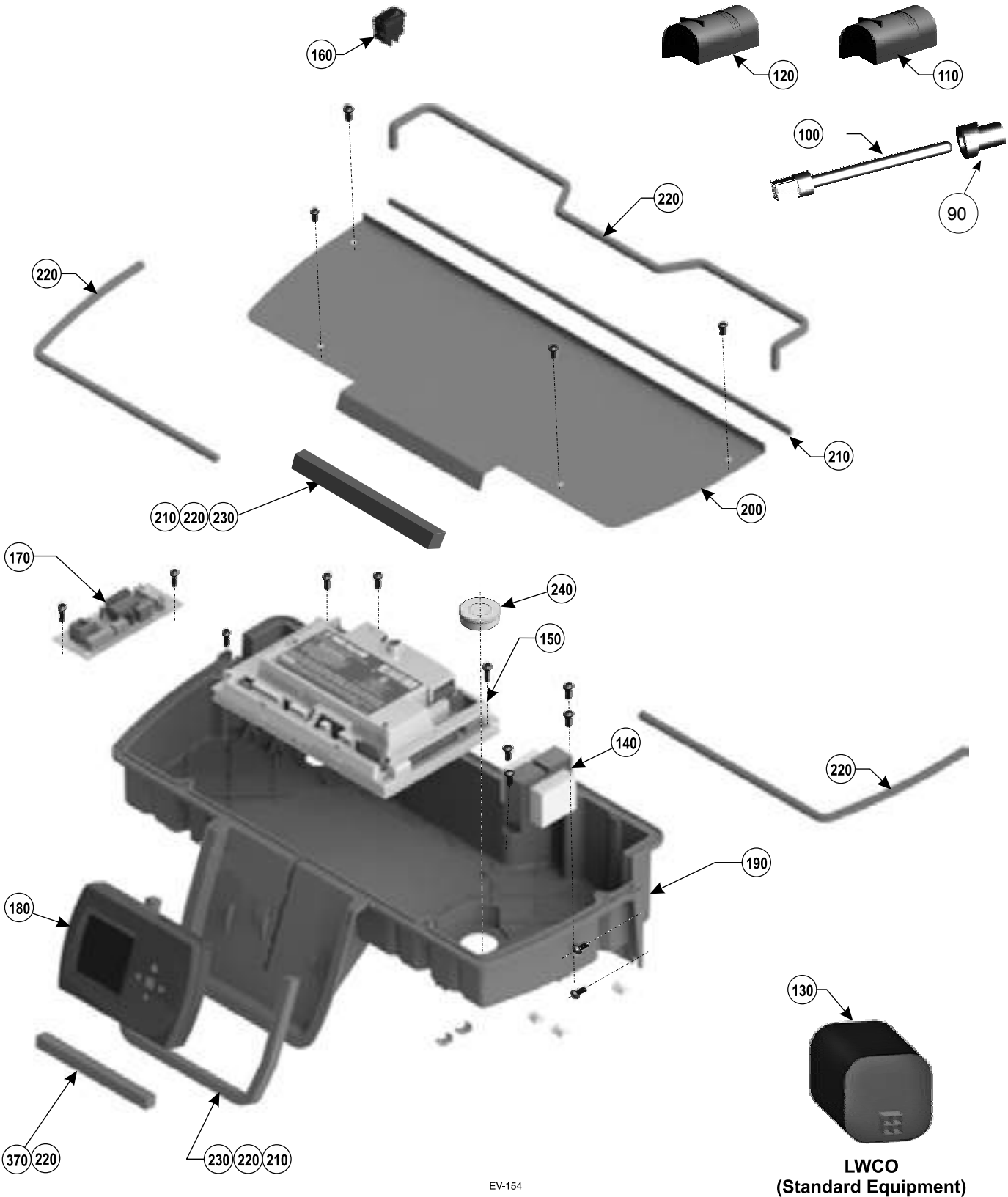


EV-152

## Evergreen Heat Exchanger Parts - 299/300/399

Fig. No.	Part Number	Description	Model 299/300/399	
100	383-900-024	Heat Exchanger, Gaskets, and Hardware - (Includes Items 130, and 150)	•	
	383-900-023			•
110	383-900-068	Heat Exchanger, Condensate Dish, Cover Plate, Burner, Igniter, Sight Glass, Refractory, Water Sensors, Gaskets, Silicone, and Hardware - (Includes Items 120 Through 280)	•	
	383-900-067			•
120	383-900-011	Condensate Dish, Gaskets, and Hardware - (Includes Item 130)	•	•
130	383-900-030	Gasket To Seal Heat Exchanger To Condensate Dish - (Includes Flue Pipe Gaskets)	•	•
150	383-900-031	Refractory Insulation & Silicone Sealant, Igniter Gasket, Flame Rod Gasket, and Burner Gasket	•	
	383-900-096			•
160	383-900-017	Heat Exchanger Cover Plate, Refractory, Silicone, Gaskets, and Hardware - (Includes Items 150, 190, and 270)	•	
	383-900-095			•
170	383-900-094	Flame Sense Rod Kit - (Includes Flame Sense Rod, Gasket, and Screws)	•	•
180	590-300-057	Flame Sense Gasket	•	•
190	383-900-099	Sight Glass Kit - (Includes Bracket, Glass, Gaskets, and Hardware)	•	•
200	591-419-202	Sight Glass	•	•
220	383-900-033	Igniter Kit - (Includes Igniter, Gasket, and Screws)	•	•
230	590-300-034	Igniter To Cover Plate Gasket	•	•
240	383-900-021	Burner Kit - (Includes Item 280, Burner, Gaskets, and Screws)	•	
	383-900-020			•
250	383-900-060	Burner Gasket	•	•
260	511-724-296	Heat Exchanger Water Temperature Sensor - (2 Required) One Sensor For Either Boiler Inlet Or Outlet Water Temperature)	•	•
280	383-900-010	Burner Access Cover Gasket, Burner Gasket, and Hardware	•	•

Evergreen  
 Controls / Electrical - 220/299/300/399



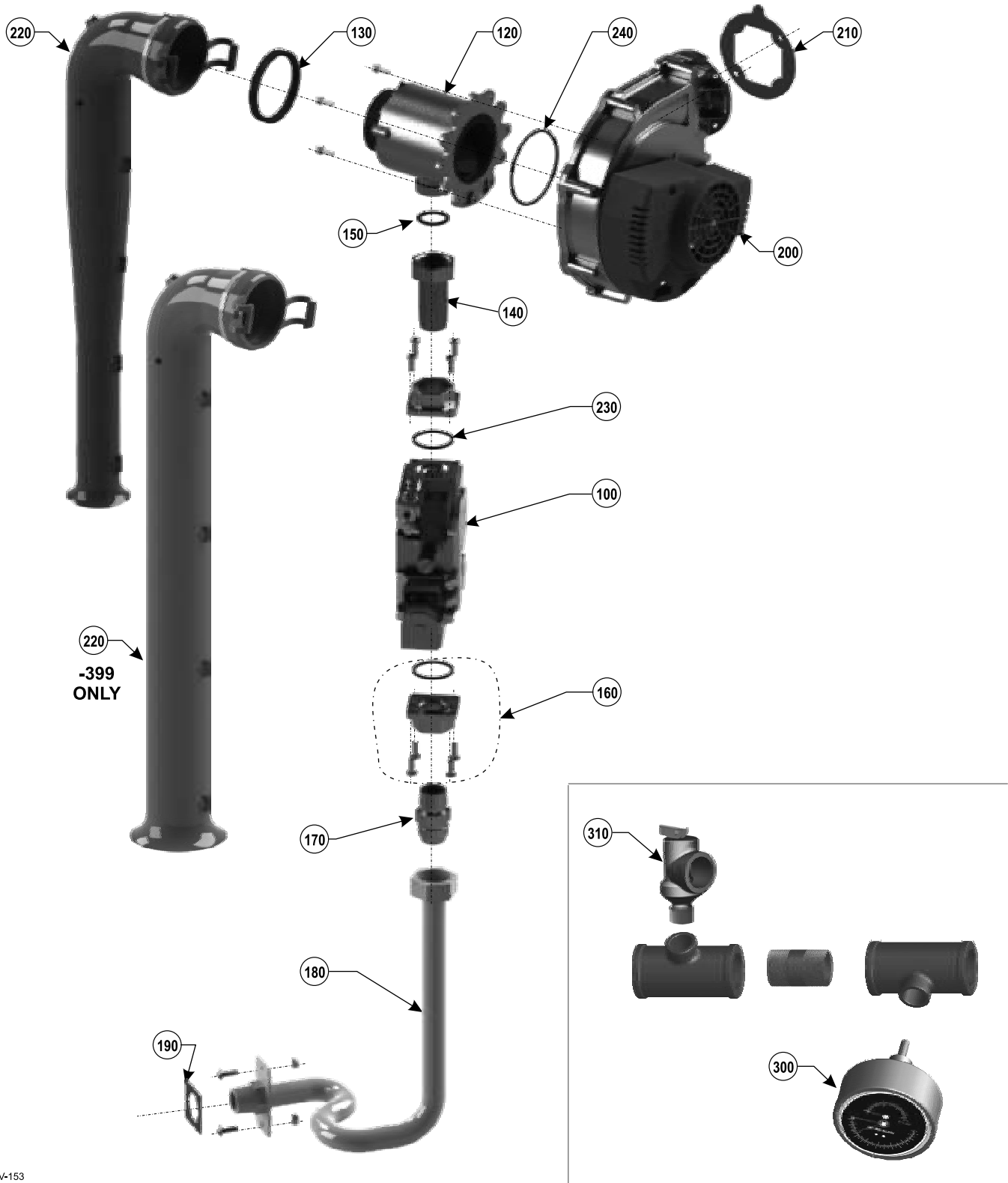
GAS

EV-154

**Evergreen**  
**Controls / Electrical Parts - 220/299/300/399**

Item	Part Number	Description/Contents	Model
90	590-318-011	Flue Temperature Sensor Grommet	All
100	383-500-600	Flue Temperature Sensor and Grommet	All
110	510-312-218	Outdoor Temperature Sensor	All
120	383-500-601	System Temperature Sensor - ( 2 Required)	All
130	511-100-005	Low Water Cutoff	All
140	511-802-011	Transformer - 120/24 Volt, 50-60 Htz	All
150	381-330-020	Ignition Control Module	All
160	511-624-645	On/Off Power Switch - Rated At 20 Amps	All
170	383-900-089	Comm Circuit Board	All
180	383-900-078	Display Board Assembly	All
190	383-900-079	Control Tray - (Includes Gaskets and Hardware)	All
200	383-900-029	Control Tray Cover - (Includes Gaskets and Hardware)	All
210	383-900-050	Control Tray Cover Gasket	All
220	383-900-046	Control Tray Gasket Kit - (Includes Items 210, and 230)	All
230	383-900-047	Control Tray Display Gasket	All
240	591-491-217	Inspection Window Plug	All
N/S	383-900-081	Fuse, F1, 3 Amp, 120vac, Fast Blow ATO - (5 Fuses) ( For Boiler Circulator)	All
	383-500-603	Fuse, F2, 3 Amp, 32vac, Fast Blow ATO - (5 Fuses) ( For Low Voltage Circuit)	All
	383-500-604	Fuse, F3, 12 Amp, 250vac, Fast Blow ATO - (5 Fuses) ( For Line Voltage Circuit)	All
	591-392-007	High Voltage Wire Harness -	All
	591-392-008	Low Voltage Wire Harness	All
	591-392-009	Communication Ethernet Wire Harness	All
	591-392-010	Low Voltage Com. Board Wire Harness	All
	591-392-011	Blower Wire Harness	All
	383-500-633	Control/Display Comm. Wire Harness	All
	383-500-638	Wire Harness - With Receptacle and Safety Cap	All
	591-392-012	Ignition Cable	All
	383-900-083	Terminal Block Kit - (Includes 1 High Voltage Terminal Block, Low Voltage Terminal Blocks, and Screwdriver)	All
	383-900-098	Cover Ground Terminal Kit	All
370	590-318-107	Gasket - Display Support	All

# Evergreen Piping - 220/299/300/399



GAS

EV-153



Evergreen  
Piping Parts - 220/299/300/399

Fig. No.	Part Number	Description	Model		
			220	299/300	399
100	383-900-027	Gas Valve - (Includes Gas Valve, Gasket, and O-ring)	•	•	
	383-900-061				•
120	383-900-054	Venturi - <b>NATURAL GAS ONLY</b> - (Includes Items 130, 150, and 240)	•		
	383-900-055			•	
	383-900-056				•
	540-202-840	Venturi - <b>PROPANE GAS ONLY</b> - (Includes Items 130, 150, and 240)	•		
	540-202-841			•	
	540-202-842				•
130	590-318-103	Silencer Gasket - (Gasket Between Venturi and Silencer)	•	•	•
140	562-302-584	Adapter Gas Pipe - 3/4" N.P.T - (Between Gas Valve and Venturi)	•	•	•
150	562-248-765	Gas Pipe Gasket - (Between Adapter and Venturi)	•	•	•
160	383-900-026	Gas Valve Adapter Block - (Includes Threaded Block, O-ring, and Screws) 2 Required	•	•	•
170	562-302-583	Gas Flex Line Adapter - (Between Gas Valve and Gas Line)	•	•	•
180	560-907-766	Gas Line - (Gas Line Between Gas Valve and Cabinet)	•	•	•
190	590-318-085	Gas Line Gasket - (Gas Line Seal To Cabinet)	•	•	•
200	383-900-039	Blower - (Complete With Control)	•	•	•
210	383-900-036	Blower Gasket - (Blower To Cover Plate Seal)	•	•	•
220	383-900-034	Inlet Air Silencer - (Includes Silencer and Gasket)	•	•	
	383-900-035				•
230	590-318-109	O-ring - Gas Valve - ( 2 Required Per Assembly)	•	•	•
240	590-318-102	O-ring - Blower - (O-ring Between Blower and Venturi)	•	•	•
300	380-000-000	Pressure- Temperature Gauge - 60° - 360°F 0-75 PSI, 3 1/8 " Dia 1/4" NPT, Short Shank, With 1/4" x 1/2" Reducing Bushing	•	•	•
310	383-500-095	Pressure Relief Valve, ASME, 30 PSIG, 3/4" Male Inlet, 375 Mbtu/Hr	•	•	
	383-900-076	Pressure Relief Valve, ASME, 30 PSIG, 3/4" Male Inlet, 535 Mbtu/Hr			•
	383-900-082	Pressure Relief Valve and Gauge Kit, ASME, 80 PSIG, 3/4" X 3/4" Female Inlet, Gauge - 1/4" N.P.T, 0-150 PSI	•	•	•

**Evergreen**  
**Miscellaneous Parts And Kits - 220/299/300/399**

Fig No.	Part No.	Description
<b>Chemicals</b>		
N/S	592-900-029	Antifreeze, Sentinel X500 - ( 1 Gallon)
	592-900-006	Antifreeze, Sentinel X500 - ( 5 Gallon)
	592-900-002	Corrosion Inhibitor, Sentinel X100
	592-900-005	Sentinel X100 Quick Test Kit
	592-900-003	Cleaner, Sentinel X400
<b>Boiler Accessories</b>		
N/S	383-900-097	Evergreen Inspection Kit - (Includes Igniter Gasket, Flame Sense Gasket, Burner Gasket, Burner Access Cover Seal, and Hardware)
	383-900-071	Evergreen 220 Maintenance Kit - (Includes Flame Sense Rod, Flame Sense Gasket, Igniter, Igniter Gasket, Venturi Gasket, Burner Gasket, Cover Plate Gasket, Venturi-Gas Valve O-ring, Refractory, Silicone, Inhibitor Test Kit, Burner Access Cover Seal, and Hardware)
	383-900-072	Evergreen 299/300 Maintenance Kit - (Includes Flame Sense Rod, Flame Sense Gasket, Igniter, Igniter Gasket, Venturi Gasket, Burner Gasket, Cover Plate Gasket, Venturi-Gas Valve O-ring, Refractory, Silicone, Inhibitor Test Kit, Burner Access Cover Seal, and Hardware)
	383-900-088	Evergreen 399 Maintenance Kit - (Includes Flame Sense Rod, Flame Sense Gasket, Igniter, Igniter Gasket, Venturi Gasket, Burner Gasket, Cover Plate Gasket, Venturi-Gas Valve O-ring, Refractory, Silicone, Inhibitor Test Kit, Burner Access Cover Seal, and Hardware)
	383-900-074	Wall Mount Kit - (Includes Wall-Mount Bracket, and Hardware)
	383-900-082	Relief Valve - ( 80 PSI, 3/4" N.P.T Female) & Pressure/Temperature Gauge (P/T Gauge - 1/4" N.P.T, 0-150 PSI)
	511-724-299	System Immersion Temperature Sensor Kit - (Includes Sensor, Well, Thermal Paste, And Instructions)
	383-600-322	Modbus Converter To BacNet
	383-600-332	Modbus Converter To Lonworks
<b>Condensate Handling Accessories</b>		
N/S	383-500-631	Condensate Neutralizer Kit
	540-131-075	Condensate Drain Trap - (Includes Trap, Clamp, Gasket, and PVC Fittings) <b>220 ONLY</b>
	540-131-076	Condensate Drain Trap - (Includes Trap, Clamp, Gasket, and PVC Fittings) <b>299/300/399</b>
<b>Natural Gas To Propane Conversion Kits</b>		
	540-202-840	Kit Includes Propane Venturi, Gasket, Hardware, And Instructions - <b>Evergreen-220</b>
	540-202-841	Kit Includes Propane Venturi, Gasket, Hardware, And Instructions - <b>Evergreen-299/300</b>
	540-202-842	Kit Includes Propane Venturi, Gasket, Hardware, And Instructions - <b>Evergreen-399</b>
<b>Propane To Natural Gas Conversion Kits</b>		
	383-900-054	Kit Includes Natural Gas Venturi, Gasket, Hardware, And Instructions - <b>Evergreen-220</b>
	383-900-055	Kit Includes Natural Gas Venturi, Gasket, Hardware, And Instructions - <b>Evergreen-299/300</b>
	383-900-056	Kit Includes Natural Gas Venturi, Gasket, Hardware, And Instructions - <b>Evergreen-399</b>

GAS

**Evergreen**  
**Miscellaneous Parts And Kits - 220/299/300/399**

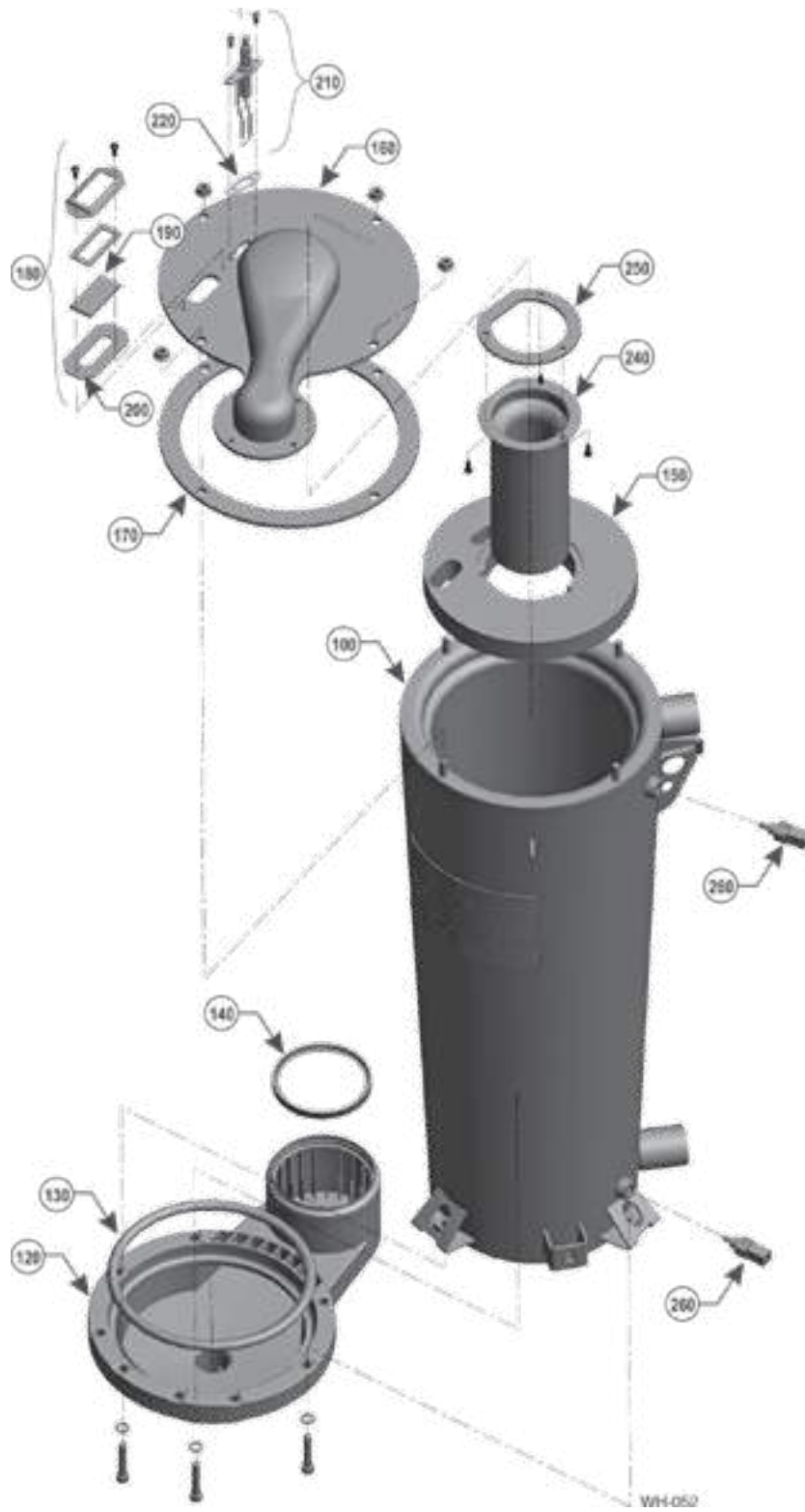
<b>Vent/Air Parts and Kits</b>		
383-500-397	Weil-McLain Sidewall Vent/Air Cap Termination Kit For 3" PVC vent And Air Pipes - (Includes W-M Sidewall Vent/Air Termination Cap, Inside And Outside Cover Plates, And Mounting Hardware) <b>Evergreen 220</b>	
383-500-398	Weil-McLain Sidewall Vent/Air Cap Termination Kit For 4" PVC vent And Air Pipes - (Includes W-M Sidewall Vent/Air Termination Cap, Inside And Outside Cover Plates, And Mounting Hardware) <b>Evergreen 220,299,300 &amp; 399</b>	
383-500-100	Sidewall Separate Pipes Vent/Air Termination Kit - (Includes 2 Cover Plates) For 3"or 4" PVC	
383-500-350	PVC Concentric Vent Kit - (Includes Components For Vertical Or Horizontal Assembly) For 3"	
383-900-075	PVC Concentric Vent Kit - (Includes Components For Vertical Or Horizontal Assembly) For 4"	
196006	IPEX PVC Concentric Vent Kits - Available From IPEX - (20" Length) For 3" PVC	
196106	IPEX PVC Concentric Vent Kits - Available From IPEX - (32" Length) For 3" PVC	
196116	IPEX PVC Concentric Vent Kits - Available From IPEX - (44" Length) For 3" PVC	
196021	IPEX PVC Concentric Vent Kits - Available From IPEX - For 4" PVC	
3PPS-VKL	M&G Simpson-Duravent PolyPro Vertical Concentric Vent/Air Kit; Color = Black-(VK Suffix) Or Terra Cotta-(TC Suffix) - (3" Polypropylene Pipe)	
4PPS-VKL	M&G Simpson-Duravent PolyPro Vertical Concentric Vent/Air Kit; Color = Black-(VK Suffix) Or Terra Cotta-(TC Suffix) - (4" Polypropylene Pipe)	
ICRT3539	Centrotherm INNOFLUE VERTICAL Concentric Vent Air Kit - (3" Polypropylene Pipe)	
ICRT4679	Centrotherm INNOFLUE VERTICAL Concentric Vent Air Kit - (4" Polypropylene Pipe)	
4PPS-04PVCM-4PPF	M&G Simpson-Duravent Polypropylene Appliance Adapter - For 4" Polypropylene Pipe	
ISAAL040Y	Centrotherm INNOFLUE Polypropylene Appliance Adapter - For 4" Polypropylene Pipe	
383-500-105	Bird Screen For 3" PVC Vent/Air Pipes - (2 Required)	
383-500-110	Bird Screen For 4" PVC Vent/Air Pipes - (2 Required)	
<b>Notice: For AL29-4C Stainless Steel Vent Applications</b>		
Installer Must Supply PVC Transition Piece At Boiler Vent Connection, Supplied By Vent Manufacturer		



**WM97+, WM97+CT+, WM97+ Series 2  
Jacket Parts - 70/110/155**

Fig. No.	Part Number	Description	Model		
			70	110	155
100	383-700-250	Front Door, Seals, Logo, and Labels	•	•	•
110	383-700-117	Seals For Front Door To Jacket	•	•	•
120	383-700-118	Wall-Mount Bracket and Hardware - (Wall Side)	•	•	•
130	383-700-119	Wall-Mount Bracket and Hardware - (Boiler Side)	•	•	•
140	383-700-120	Gaskets - Top Panel To Cabinet - (Riveted Top)	•	•	
	383-700-188	Gaskets - Top Panel To Cabinet - (Screwed Top)	•	•	•
150	383-700-121	Gasket - Condensate Trap To Bottom Panel	•	•	•
160	383-700-251	Door Latch and Hardware - <b>Series 2</b>	•	•	•
	383-700-122	Door Latch and Hardware - <b>Series 1</b>			
170	590-318-051	Gasket - Internal Flue Pipe To Adapter - (Fits Inner Diameter of Boiler Flue Pipe)	•	•	•
180	560-907-719	Top Flue Pipe Adapter With Internal Gasket	•	•	•
190	560-907-720	Boiler Internal Flue Pipe and Gasket	•	•	•
200	560-907-718	Top Air Inlet Adapter With Internal Gasket	•	•	•
210	590-300-031	Gasket - Flue Adapter To Cabinet	•	•	•
220	590-318-052	Gasket - Pipe Adapter To System Pipe - (Fits Inner Diameter of Top Adapter)	•	•	•
230	590-300-028	Front Door To Display Seal - One seal (Attached to Control Housing)	•	•	•
240	383-700-252	Jacket Bottom Access Panel Kit - Includes Panel, Item 250, and Screws)	•	•	
	383-700-253				•
250	590-318-059	Bottom Access Panel Gasket	•	•	
260	561-444-190	CWH Wire Harness Opening Plug	•	•	•
N/S	592-002-033	Touch Up Paint - Black - Low-E, 4.5 oz Can	•	•	•
	383-700-238	Condensate Bracket Kit - (Includes Bracket, and Two Plastic Rivets)	•	•	
	383-700-239				•

WM97+, WM97+CT+, WM97+ Series 2  
Heat Exchanger Assembly - 70 - Series 1 & 2  
110 - Series 1

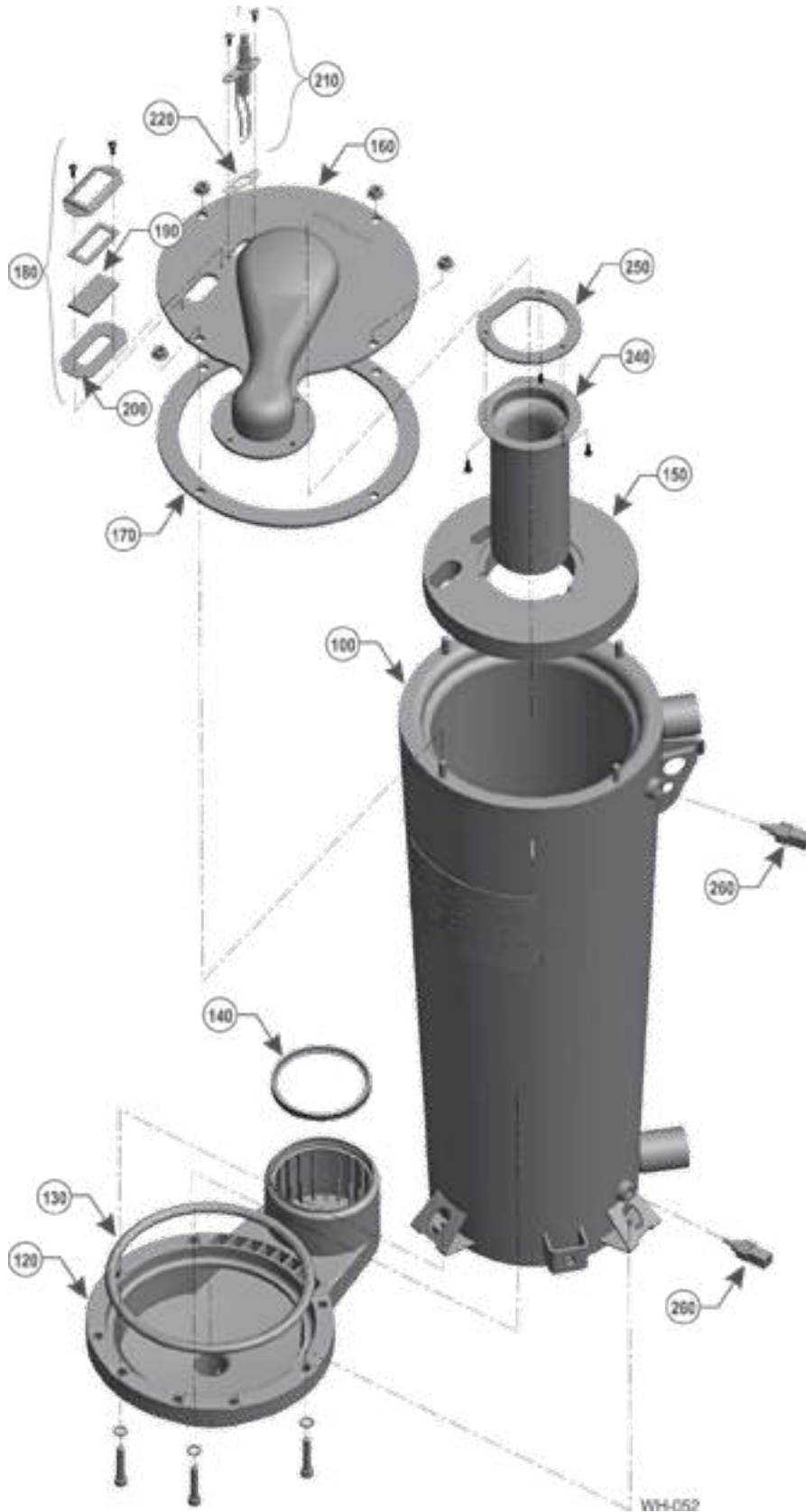


GAS

**WM97+, WM97+CT+,WM97+ Series 2  
Heat Exchanger Parts - 70/110**

Item	Part Number	Description / contents
	383-700-254	Heat Exchanger - Only - Model 70 - <b>Series 1 &amp; 2</b> , 110 - <b>Series 1 ONLY</b>
	383-700-101	Heat Exchanger Complete - (Includes Condensate Dish, Cover Plate, Burner, Igniter, Sight Glass, Refractory, Water Sensors, Gaskets, Silicone, and Hardware) - Model 70 - <b>Series 1 &amp; 2</b> , Model 110 - <b>Series 1 ONLY</b>
120	383-700-102	Condensate Dish, Gaskets, and Hardware - <b>Series 1 &amp; 2</b>
140	383-700-104	Gasket To Seal Condensate Dish To Internal Flue Pipe - <b>Series 1 &amp; 2</b>
150	383-700-105	Refractory Insulation & Silicone Sealant - <b>70 Series 1 &amp; 2, 110 - Series 1 ONLY</b>
160	383-700-108	Heat Exchanger Cover Plate - (Includes Cover Plate, Refractory, Silicone, and Gaskets) - <b>70 Series 1 &amp; 2, 110 - Series 1 ONLY</b>
170	383-700-109	Gasket - Heat Exchanger To Cover Plate - <b>Series 1 &amp; 2</b>
180	383-700-185	Sight Glass Kit - (Includes Bracket, Glass, Gaskets, and Hardware) - <b>Series 1 &amp; 2</b>
190	591-419-202	Sight Glass - <b>Series 1 &amp; 2</b>
200	383-700-112	Sight Glass Gaskets - Upper and Lower - <b>Series 1 &amp; 2</b>
210	383-700-113	Igniter Kit - (Includes Igniter, Gasket and Screws) - <b>70 Series 1 &amp; 2, 110 - Series 1 ONLY</b>
220	590-300-034	Igniter To Cover Plate Gasket - <b>Series 1 &amp; 2</b>
N/S	590-318-008	Spark Suppressor For Igniter - <b>Series 1 &amp; 2</b>
240	383-700-106	Burner - (Includes Burner, Gasket, and Hardware) - <b>70 Series 1 &amp; 2, 110 - Series 1 ONLY</b>
250	383-700-107	Burner Gasket - <b>70 Series 1 &amp; 2, 110 - Series 1 ONLY</b>
260	511-724-296	Heat Exchanger Water Temperature Sensor - One Sensor (For Either Boiler Inlet or Outlet Water Sensor) - <b>Series 1 &amp; 2</b>

WM97+ Model 110 - Series 2 Only  
Heat Exchanger Assembly



GAS



**WM97+ Model 110 - Series 2 Only**  
**Heat Exchanger Assembly**

Item	Part Number	Description / contents
100	383-700-255	Heat Exchanger - Only - Model 110
N/S	383-700-256	Heat Exchanger Complete - (Includes Condensate Dish, Cover Plate, Burner, Igniter, Sight Glass, Refractory, Water Sensors, Gaskets, Silicone, and Hardware) -
150	383-700-244	Refractory Insulation & Silicone Sealant
160	383-700-258	Heat Exchanger Cover Plate - (Includes Cover Plate, Refractory, Silicone, and Gaskets)
210	383-700-245	Igniter Kit - (Includes Igniter, Gasket and Screws)
240	383-700-246	Burner - (Includes Burner, Gasket, and Hardware)
250	383-700-247	Burner Gasket

**NOTICE: ALL OTHER HEAT EXCHANGER PARTS ARE THE SAME FOR SERIES 1 AND 2**

WM97+, WM97+CT  
Heat Exchanger Assembly - 155  
Series 1 & 2



WM-152

**WM97+, WM97+CT  
Heat Exchanger Parts - 155  
Series 1 & 2**

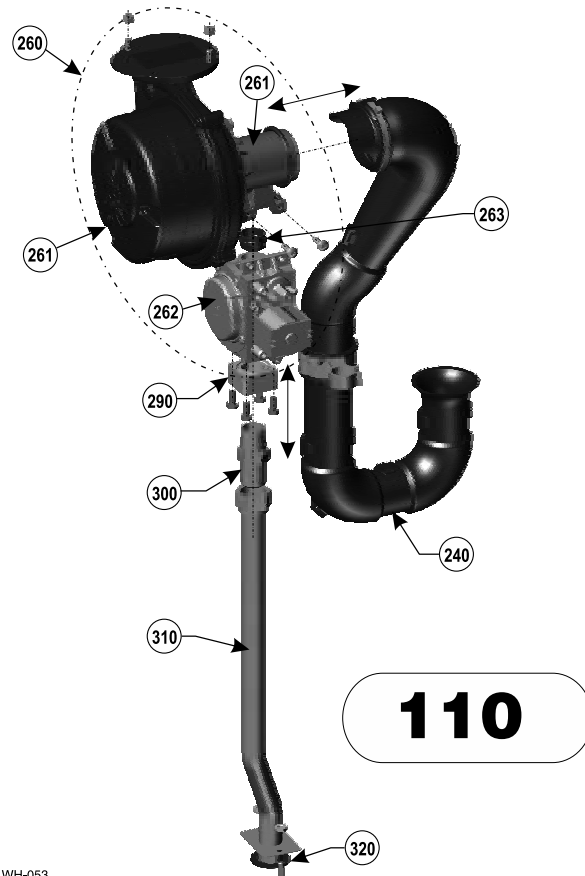
Item	Part Number	Description / contents
100	383-700-197	Heat Exchanger - Only
N/S	383-700-198	Heat Exchanger With Condensate Dish Assembled - (Includes Condensate Dish, and Condensate Dish Gaskets, Temperature Sensors (2), and Hardware)
110	383-700-180	Heat Exchanger Complete - (Includes Condensate Dish, Cover Plate, Burner, Igniter, Sight Glass, Refractory, Water Sensors, Gaskets, Silicone, and Hardware)
120	590-318-054	Gasket - Heat Exchanger To Cover Plate
130 140	511-724-296	Heat Exchanger Water Temperature Sensor - One Sensor (For Either Boiler Inlet or Outlet Water Sensor)
150	590-318-006	Blower Gasket
160	383-700-181	Condensate Dish, Gaskets, and Hardware
170	590-300-039	Gasket To Seal Heat Exchanger To Condensate Dish
180	383-700-104	Gasket To Seal Condensate Dish To Internal Flue Pipe
190	383-700-184	Heat Exchanger Cover Plate - (Includes Cover Plate, Refractory, Silicone, and Gaskets)
200	383-700-182	Refractory Insulation & Silicone Sealant
210	383-700-183	Burner - (Includes Burner, Gasket, and Hardware)
220	383-700-208	Burner Gasket
N/S	383-700-202	Burner Access Cover - (Includes Access Cover, Gasket, and Hardware)
240	590-318-053	Burner Access Cover Gasket
250	383-700-187	Igniter Kit - (Includes Igniter, Gasket and Screws)
260	590-300-034	Igniter To Cover Plate Gasket
270	383-700-185	Sight Glass Kit - (Includes Bracket, Glass, Gaskets, and Hardware)
280	591-419-202	Sight Glass
290	383-700-112	Sight Glass Gaskets - Upper and Lower
N/S	590-318-008	Spark Suppressor For Igniter



## WM97+, WM97+CT Piping Parts - 70/110

Item	Part Number	Description / contents	70 Series 1 & 2	110 Series 1	110 Series 2
100	383-700-144	Upper Pipe Assembly and Gaskets (1 pump, 2 water)	•	•	•
110	383-700-145	Lower Pipe Assembly and Gaskets (1 pump, 2 water)	•	•	•
120	590-300-036	Gaskets - To Seal Pipe To Heat Exchanger or Upper Pipe To Lower Pipe	•	•	•
130	590-317-543	Pump Gasket To Seal Pump Flange To Pipe Flange	•	•	•
140	383-700-148	12 Liter (3.2 gallons) Expansion Tank - Pre-Charged To 12 PSI	•	•	•
150	560-900-022	Expansion Tank Line - Flared Fitting Stainless Steel Flex Line	•	•	•
160	511-246-399	Expansion Tank Shutoff Valve - Female N.P.T To Flare Manual Ball Valve	•	•	•
170	562-302-577	Female N.P.T To Male Flare	•	•	•
180	383-700-152	Taco 007 & Gaskets	•		
190	511-405-142	Replacement Cartridge For Wet-Rotor 007 Circulator	•		
200	383-700-153	Taco 0015 & Gaskets		•	•
210	511-405-143	Replacement Cartridge For Wet-Rotor 0015 Circulator		•	•
220	383-500-095	Pressure Relief Valve, ASME 30 PSI, 3/4" N.P.T .Male	•	•	•
230	380-000-000	Combination Pressure-Temperature Gauge, 3" Dia., 0-75 PSIG, 60-320°F, Short Shank, Back Connection, 1/4" N.P.T.	•	•	•
240	383-700-155	Air Inlet Silencer	•	•	
250	590-318-049	Air Silencer O-ring	•	•	
260	383-700-157	Blower & Clip	•	•	
265	562-650-115	Blower Retainer Clip	•	•	
270	590-300-001	Reference Tube To Connect Blower To Gas Valve	•	•	
280	383-700-159	Gas Valve, Venturi (027), Gasket, O-ring, Clip, and Screws	•		
	383-700-160	Gas Valve, Venturi (040), Gasket, O-ring, Clip, and Screws		•	
285	562-650-116	Gas Valve Retainer Clip	•	•	
290	563-910-031	Gas Valve Adapter Block - (Includes Block, O-ring, and Screws)	•	•	•
295	590-318-045	Gas Valve Outlet O-ring	•	•	
300	562-302-576	Gas Flex Line Adapter - N.P.T To Flare Adapter	•	•	•
310	383-700-163	Gas flex Line - (Includes Gas Line, Seal, and Hardware)	•	•	
320	590-300-027	Gasket - Gas Flex Line To Cabinet	•	•	•
330	590-300-037	Gasket - Lower Pipe To Cabinet	•	•	•
340	590-318-050	Gasket - Upper Pipe To Cabinet	•	•	•
350	383-600-069	Low Water Cutoff - (Taco-LTR024HV, Or Hydrolevel-45-1100)	•	•	•

# WM97+ Model 110 - Series 2 Only Piping Parts



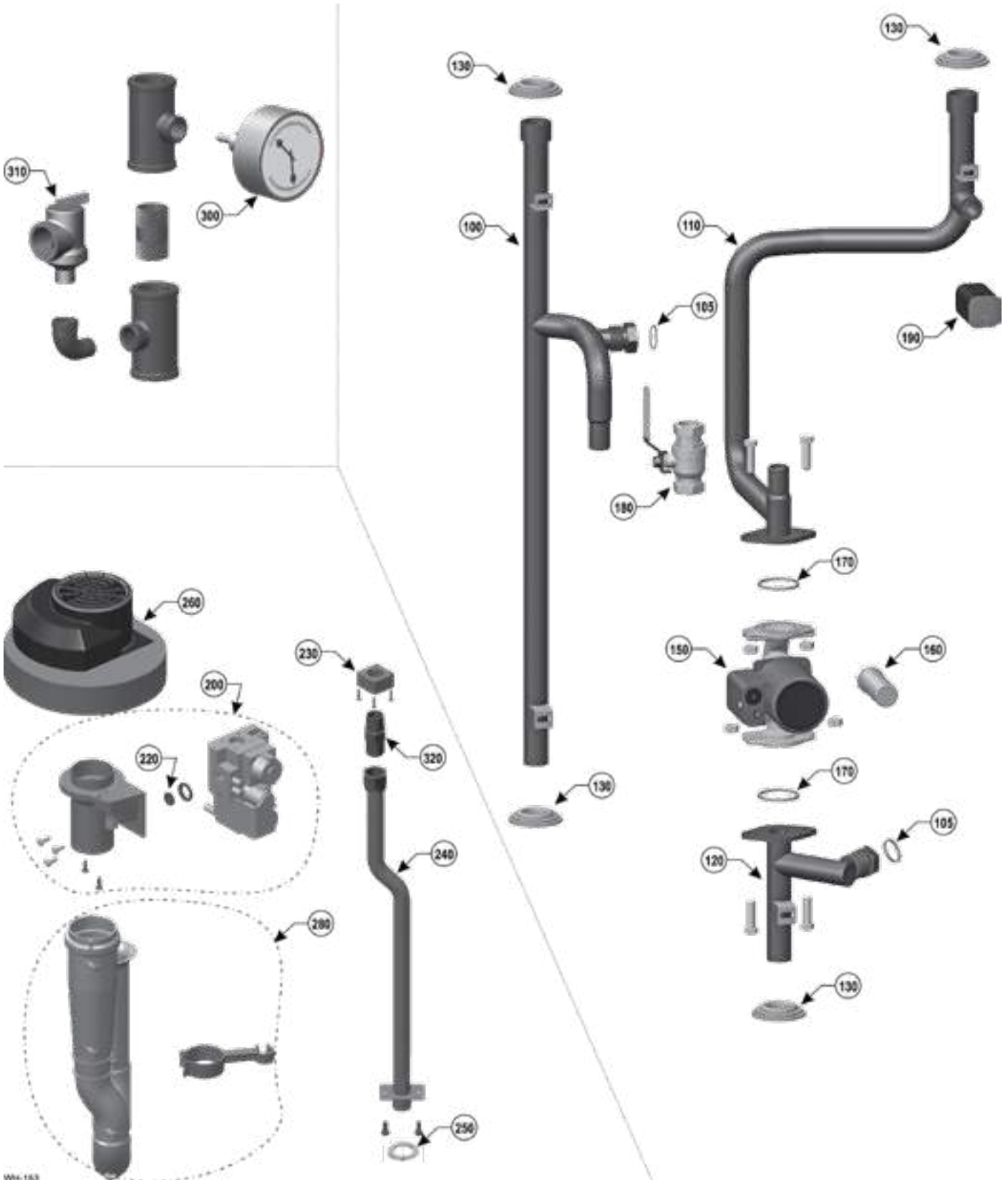
GAS

**WM97+ Model 110 - Series 2 Only**  
**Piping Parts**

Item	Part Number	Description / contents	Model - 110
240	383-700-248	Air Inlet Silencer	•
250	590-318-115	Air Inlet Silencer O-ring	•
260	383-700-249	Blower/Gas Valve/Venturi - (Includes Gaskets , and Hardware)	•
261	383-700-260	Blower/Venturi - (Includes Gaskets , and Hardware)	•
262	383-700-259	Gas Valve - (Includes Gaskets, and Hardware)	•
263	383-700-261	Rubber Boot - Gas Valve - Venturi	•
310	383-700-257	Gas flex Line - (Includes Gas Line, Seal, and Hardware)	•

**NOTICE: ALL OTHER PIPING PARTS REMAIN THE SAME FOR SERIES 1 AND 2.**

WM97+, WM97+CT  
Piping - 155



GAS

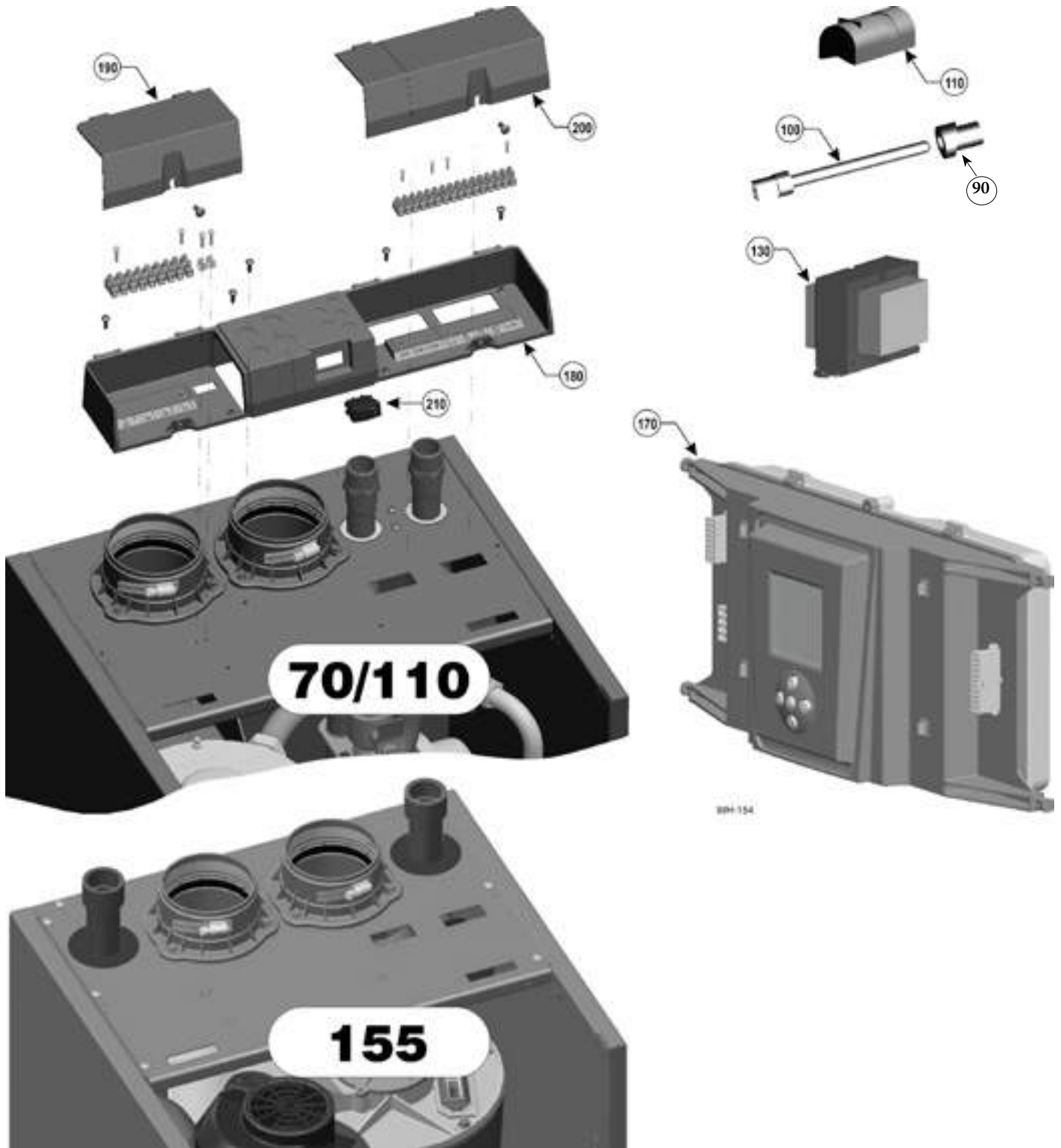
WM-153



**WM97+, WM97+CT  
Piping Parts - 155**

Item	Part Number	Description / contents
100	383-700-193	Boiler Supply Manifold With Hardware
105	590-300-036	Boiler Supply and Return Gaskets
110	383-700-192	Boiler Upper Return Manifold With Hardware
120	383-700-191	Boiler Lower Return Manifold With Hardware
130	562-248-740	Water Line Sealing Grommets
150	383-700-194	Boiler Circulator - Taco 0015 (With Rotated Flange)
160	511-405-143	Circulator Replacement Cartridge - For Taco 0015
170	590-317-543	Circulator Gasket
180	511-246-400	Internal Primary/Secondary By-Pass Valve
190	383-600-069	Low Water Cutoff
200	383-700-196	Gas Valve - (Includes Gas Valve, Venturi, Gasket, and Hardware)
230	563-910-031	Gas Valve Adapter Block with O-ring and Screws
240	383-700-163	Gas flex Line - (Includes Gas Line, Seal, and Hardware)
250	590-300-027	Gasket - Gas Flex Line To Cabinet
260	383-700-195	Blower
280	383-700-203	Sir Inlet Silencer With Gasket and Clip
300	380-000-000	Combination Pressure-Temperature Gauge, 3" Dia., 0-75 PSIG, 60-320°F, Short Shank, Back Connection, ¼" N.P.T.
310	383-500-095	Pressure Relief Valve, ASME 30 PSI, ¼" N.P.T .Male
320	562-302-576	Gas Flex Line Adapter - N.P.T To Flare Adapter

WM97+, WM97+CT  
Controls / Electrical Assemblies - 70/110/155

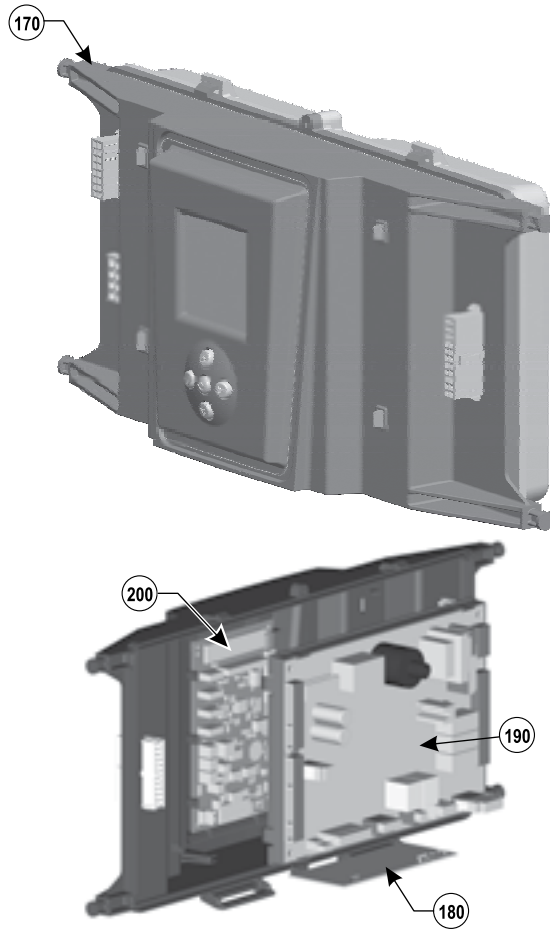


GAS

WM97+, WM97+CT  
Controls / Electrical Parts - 70/110/155

Item	Part Number	Description / contents	Model		
			70	110	155
90	590-318-011	Flue Temperature Sensor Grommet	•	•	•
100	511-724-292	Flue Temperature Sensor	•	•	•
110	510-312-218	Outdoor Temperature Sensor	•	•	•
130	511-802-015	50 VA Transformer	•	•	•
N/S	591-391-969	High Voltage Harness, Left Side of Pod - Connects 9 Pin Terminal Strip, Blower, Boiler Circulator, DHW Circulator - <b>Model 70 Series 1 &amp; 2, Model 110 Series 1, Model 155 Series 1 &amp; 2</b>	•	•	
	591-391-993				•
	591-391-968	Low Voltage Harness - Left Side of Pod - Connects 16 Pin Terminal To Supply/Return Sensors, Gas Valve, Flue Sensor, LWCO, Blower Control - <b>Model 70 Series 1 &amp; 2, Model 110 Series 1, Model 155 Series 1 &amp; 2</b>	•	•	
	591-391-992				•
	591-391-967	Low Voltage Harness - Right Side of Pod - Connects 2 Terminal Strips, 10 Pin and 6 Pin, Transformer, DHW Sensor <b>Series 1 &amp; 2 ALL</b>	•	•	•
	591-392-012	Ignition Cable	•	•	•
170	383-700-240	Control Assembly - (Includes Ignition Control, User Display, Circulator Speed Control, Wire harnesses, Plastic, Gaskets, and label)	•	•	•
180	595-000-033	Plastic Electrical Enclosures	•	•	•
190	383-700-173	Line Voltage Lid & Label - Left Side	•	•	•
200	383-700-174	Low Voltage Lid & Label - Right Side	•	•	•
210	511-624-645	On/Off Power Switch	•	•	•
N/S	383-500-603	F1-3 Amp, Fast Blow ATO Fuses (5 fuses)	•	•	•
	383-500-604	F2 - 12 Amp, Fast Blow AG Fuses (5 fuses)	•	•	•
	591-391-991	Wire Harness Ground, Ignitor To Jacket	•	•	•
	591-391-998	Wire Harness, CWH Boiler Sensor	•	•	•

# WM97+ Series 2 Controls / Electrical Parts



GAS

## WM97+ **Series 2** Controls / Electrical Parts

Item	Part Number	Description / contents	110
N/S	591-392-033	High Voltage Harness, Left Side of Pod - 9 Pin Terminal Strip, Blower, Boiler Circulator, DHW Circulator	•
	591-392-032	Low Voltage Harness - Left Side of Pod - Supply/Return Sensors, Gas Valve, Flue Sensor, LWCO, Blower Control	•
170	383-700-240	Control Assembly - (Includes Ignition Control, User Display, Circulator Speed Control, Wire harnesses, Plastic, Gaskets, and label)	•
180	383-700-176	Circulator Speed Control Circuit Board	•
N/S	383-700-216	Wire Harness Control assembly - (Includes 4 Harnesses) - <b>Series 1 &amp; 2 ALL</b>	•

**NOTICE: ALL OTHER CONTROL / ELECTRICAL PARTS ARE THE SAME FOR SERIES 1 AND 2**

WM97+, WM97+CT  
Miscellaneous Parts And Kits - 70/110/155

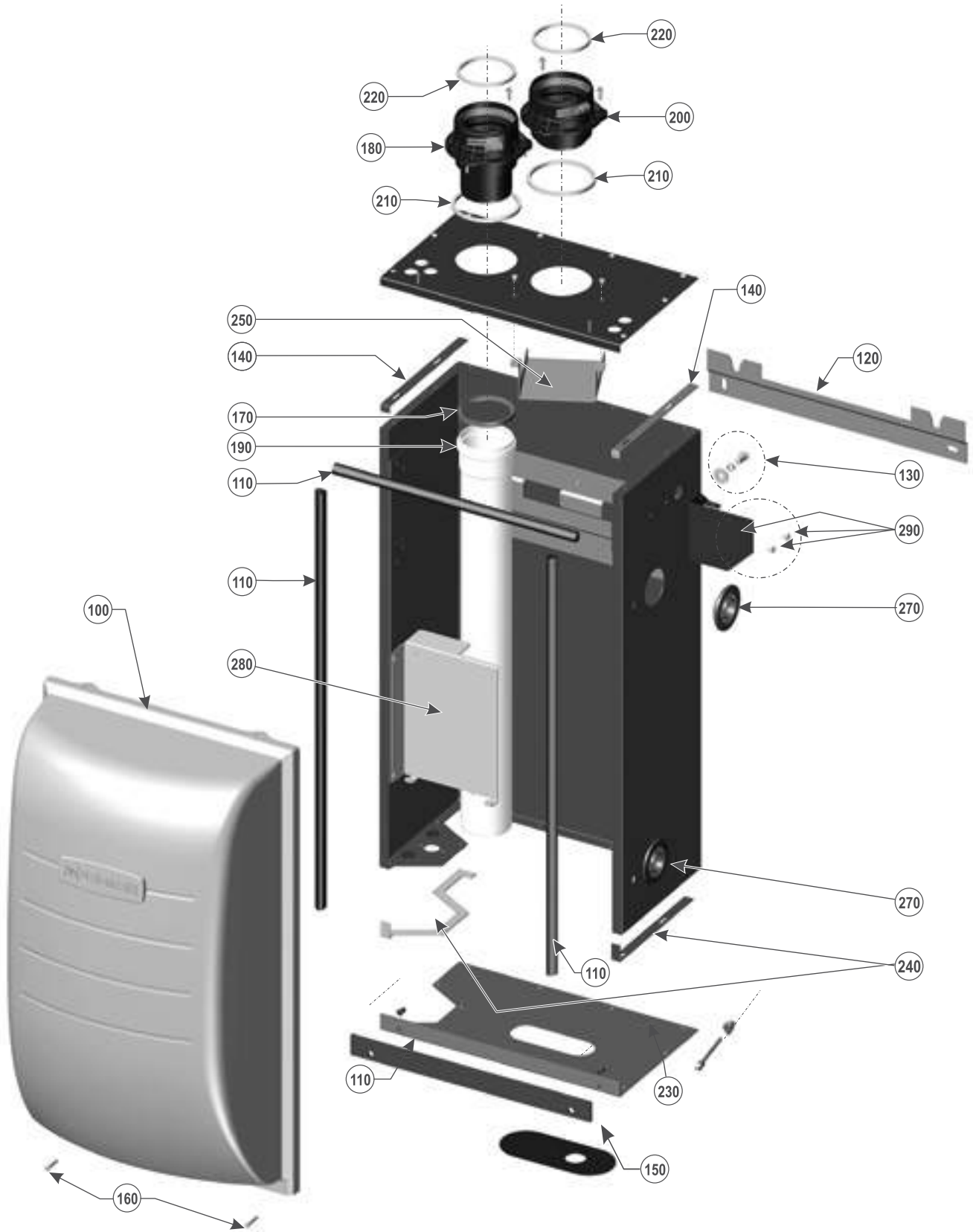
Fig No.	Part No.	Description
<b>Chemicals</b>		
N/S	592-900-029	Antifreeze, Sentinel X500 - ( 1 Gallon)
	592-900-006	Antifreeze, Sentinel X500 - ( 5 Gallon)
	592-900-002	Corrosion Inhibitor, Sentinel X100
	592-900-005	Sentinel X100 Quick Test Kit
	592-900-003	Cleaner, Sentinel X400
<b>Boiler Accessories</b>		
N/S	383-700-165	WM97+ <b>70 Series 1 &amp; 2, 110 Series 1</b> - Maintenance Kit - Includes Igniter, Gaskets-(Igniter, Venturi, and Cover Plate),Venturi-Gas Valve O-ring, Refractory, Silicone, Inhibitor Test Kit, and Clips
	383-700-200	WM97+ <b>155 Series 1 &amp; 2-</b> Maintenance Kit - Includes Igniter, Gaskets-(Igniter, Venturi, and Cover Plate),Venturi-Gas Valve O-ring, Refractory, Silicone, Inhibitor Test Kit, and Clips
	383-700-118	Wall Mount Kit - (Supplied With Boiler) Includes Wall-Mount Bracket, and Hardware
	560-907-722	Condensate Trap Kit - (Supplied With Boiler) Includes Trap Assembly, and Flexible Line
	383-800-102	Adjustable Floor Stand
<b>Condensate Handling Accessories</b>		
N/S	383-500-631	Condensate Neutralizer Kit
<b>Vent/Air Parts and Kits (PVC or Stainless Steel)</b>		
<b>Available From Weil-McLain</b>		
N/S	383-500-397	Weil-McLain Sidewall Vent/Air Cap Termination Kit for PVC Vent and Air Pipes - (Includes Sidewall Vent/Air Termination Cap, Inside and Outside Cover Plates and Mounting Hardware) Openings are for 3" PVC Pipe (Requires Field Installed 3" X 2" Adapter if Using 2" Vent/Air Pipes
	382-200-430	Weil-McLain Sidewall Vent/Air Cap Termination Kit for AL29-4C Vent Pipe and PVC Air Pipe - (Includes Sidewall Vent/Air Termination Cap, Inside and Outside Cover Plates and Mounting Hardware) Openings are for 3" SS Vent Pipe and 3" PVC Air Pipe (Requires Field Installed 3" X 2" Adapter if Using 2" Vent/Air Pipes
	383-700-171	Sidewall Separate Pipes Vent/Air termination Kit (Includes 2 Cover Plates) - For 2" PVC Vent and Air pipes
	383-500-100	Sidewall Separate Pipes Vent/Air termination Kit (Includes 2 Cover Plates) - For 3" PVC Vent and Air Pipes
	383-700-172	Sidewall Separate Pipes Vent/Air termination Kit (Includes 2 Cover Plates) - For 3" AL29-4C SS Vent Pipe and 3" PVC Pipe
	383-700-167	PVC Concentric Vent Kit - Horizontal or Vertical - Kit For 2" PVC Vent/Air Pipes
	383-500-350	PVC Concentric Vent Kit - Horizontal or Vertical - Kit For 3" PVC Vent/Air Pipes
	560-907-728	Bird Screen - 2" PVC - Vent/Air Pipes - Includes 1 Screen
	383-500-105	Bird screen - 3" PVC - Vent/Air Pipes - Includes 1 Screen
	383-700-235	Termination Restrictor Kit - (Includes Intake Washer, PVC Restrictor, and Instructions)
<b>Boiler Accessory For Series 2 - Model 110 Only</b>		
N/S	383-700-243	WM97+ <b>110 Series -2 - ONLY</b> - Maintenance Kit - Includes Igniter, Gaskets-(Igniter, Venturi, and Cover Plate),Venturi-Gas Valve O-ring, Refractory, Silicone, Inhibitor Test Kit, and Clips

GAS

WM97+, WM97+CT  
Miscellaneous Parts And Kits - 70/110/155

Fig No.	Part No.	Description
<b>Vent/Air Parts and Kits (Polypropylene Pipe)</b>		
<b>Available From M&amp;G Simpson-Duravent ONLY</b>		
N/S	24PPS-HK	M&G Simpson-Duravent PolyPro Sidewall Concentric Vent/Air Kit - (Color White) - For 2" Polypropylene Pipe
	35PPS-HK	M&G Simpson-Duravent PolyPro Sidewall Concentric Vent/Air Kit - (Color White) - For 3" Polypropylene Pipe
	24PPS-VK	M&G Simpson-Duravent PolyPro Vertical Concentric Vent/Air Kit - (Color - Black is Part Number Shown) or Terra Cotta - (Add -TC Suffix) For 2" Polypropylene Pipe
	35PPS-VK	M&G Simpson-Duravent PolyPro Vertical Concentric Vent/Air Kit - (Color - Black is Part Number Shown) or Terra Cotta - (Add -TC Suffix) For 3" Polypropylene Pipe
	2PPS-HTP	M&G Simpson-Duravent PolyPro Sidewall Separate Vent/Air Kit - For 2" Polypropylene Pipe
	3PPS-HTP	M&G Simpson-Duravent PolyPro Sidewall Separate Vent/Air Kit - For 3" Polypropylene Pipe
<b>Vent/Air Parts and Kits (Polypropylene Pipe)</b>		
<b>Available From Centrotherm Eco Systems ONLY</b>		
N/S	ICWT3452	Centrotherm INNOFLUE Sidewall Concentric Vent/Air Kit - 3" Polypropylene Pipe
	ICWS2413	Centrotherm INNOFLUE Sidewall Concentric Vent/Air Kit - 2" Stainless Steel/PP Pipe
	ICWS3513	Centrotherm INNOFLUE Sidewall Concentric Vent/Air Kit - 3" Stainless Steel/PP Pipe
	ICRT2439	Centrotherm INNOFLUE Vertical Concentric Vent/Air Kit - 2" Polypropylene Pipe
	ICRT3539	Centrotherm INNOFLUE Vertical Concentric Vent/Air Kit - 3" Polypropylene Pipe

# ECO - Series 1 & 2 Jacket Assembly - 70/110/155



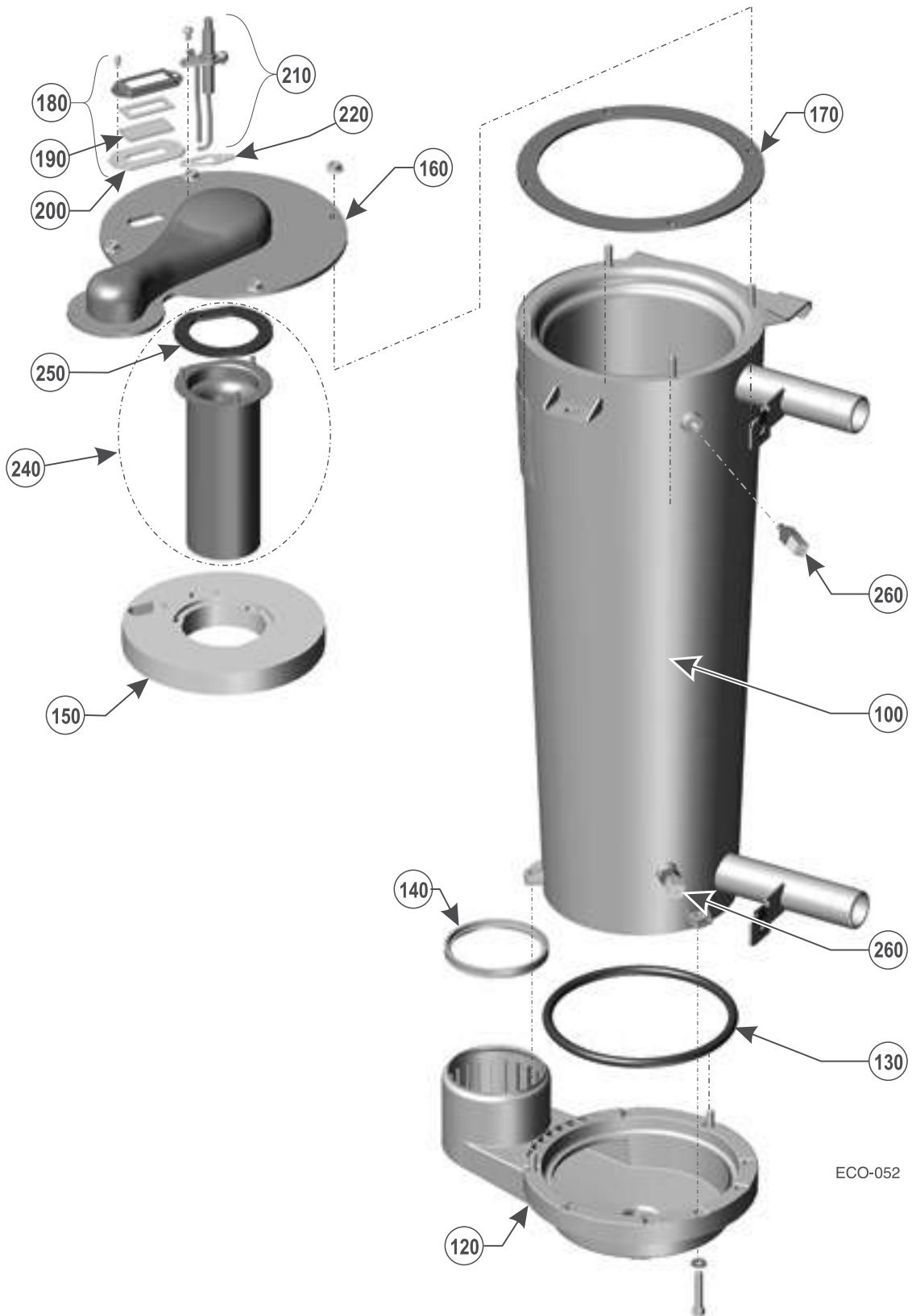
ECO-051



## ECO - Series 1 & 2 Jacket Parts - 70/110/155

Fig No.	Part No.	Description
100	383-800-242	Jacket Door With Labels
110	383-800-217	Seals - Jacket Door To Cabinet
120	383-800-218	Wall - Mount Bracket (Wall Side) With Hardware
130	383-800-219	Wall - Mount Hardware (Boiler Side) - Includes Bolts, Washers & Spacers - 2 Required
140	383-800-220	Gaskets - Upper Panel To Cabinet
150	590-318-071	Gasket - Heat exchanger To Bottom Panel
160	562-150-290	Door Screw - #10-24 Truss Head (1 Each)
170	590-318-051	Gasket - Internal Flue Pipe To Adapter
180	560-907-719	Flue Pipe Adapter With Internal Gasket
190	560-907-720	Boiler Flue Pipe With gasket # 590-318-051
200	560-907-718	Air Inlet Adapter With Gasket
210	590-300-031	Gasket - Air/Vent Adapter To Cabinet - 2 Required
220	590-318-052	Gasket - Air/Vent Adapter To System Vent Pipe - 2 Required
230	383-800-243	Jacket Bottom Panel Kit - Includes Gaskets, Items 150 & 240, and Screws
240	383-800-222	Gaskets - Bottom Panel To Cabinet
250	383-800-223	Air Baffle With Screws
N/S	561-444-186	Hole Plug - 7/8" For Sealing Electrical Knockouts
280	383-800-228	Control/Transformer Bracket
290	383-800-227	Display Board Bracket - To Mount Display To Side of Cabinet
N/S	592-002-033	Touch Up Paint - Black - Low E 4.5oz Can
	383-700-238	Condensate Bracket 70/110 - (Includes Bracket And Plastic Rivets)
	383-700-239	Condensate Bracket 155 - (Includes Bracket And Plastic Rivets)

# ECO Heat Exchanger Assembly - 70/110

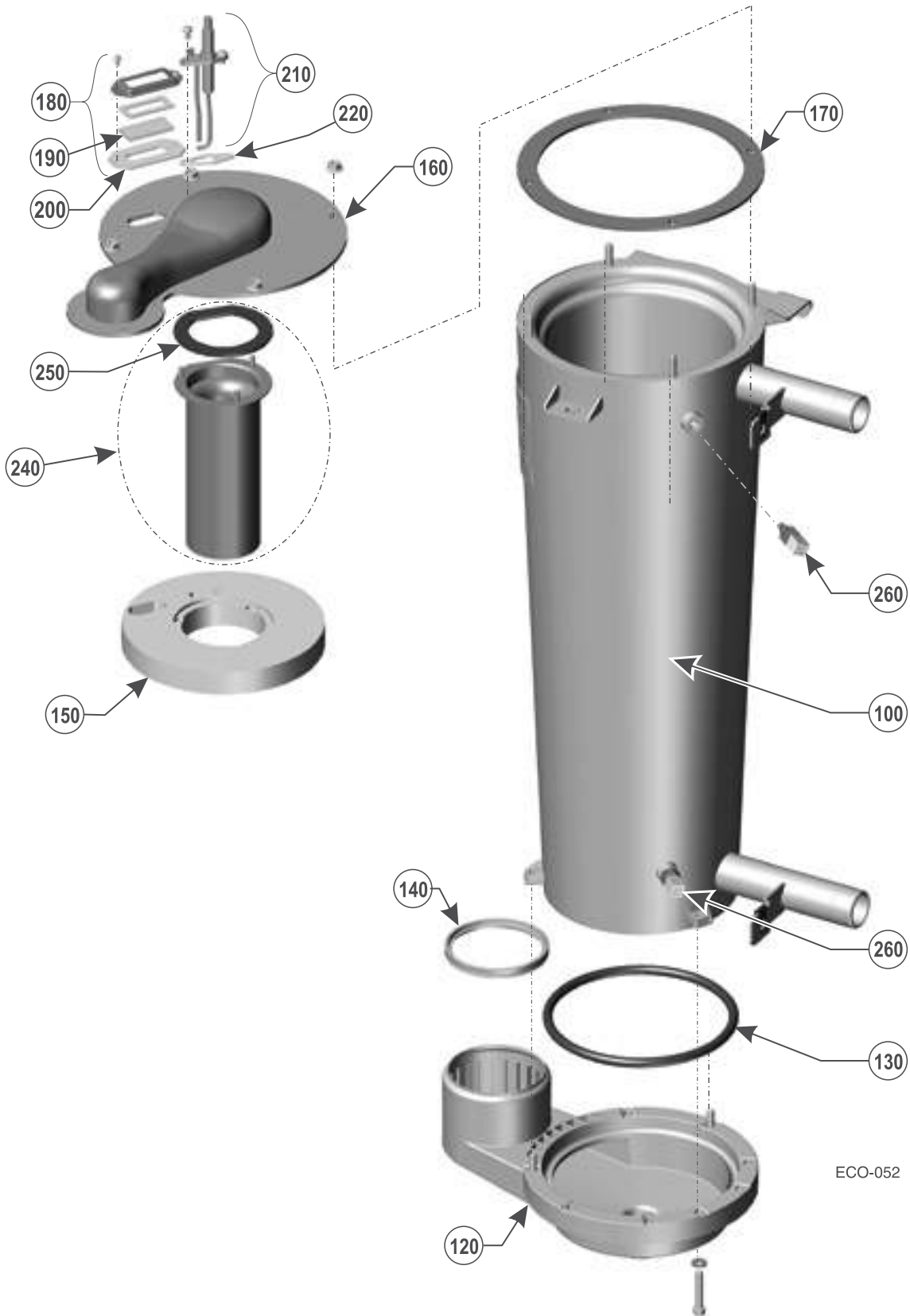


GAS

## ECO Heat Exchanger Parts - 70/110

Fig No.	Part No.	Description
100	383-800-234	Heat Exchanger - <b>Model 70 Series 1 &amp; 2, Model 110 Series 1 ONLY</b>
N/S	383-800-236	Heat Exchanger Complete , Condensate Dish, Cover Plate, Burner, Igniter, Sight Glass, Refractory, Water Sensors, Gaskets, Silicone, and Hardware - (Includes Items 100, 120, 130, 140, 160, 180, 210, 240, and 260) - <b>Model 70 Series 1 &amp; 2, Model 110 Series 1 ONLY</b>
120	383-700-102	Condensate Dish - Includes Gaskets - (Items 130, and 140) and Hardware - <b>Series 1 &amp; 2</b>
130	383-700-103	Gasket To Seal Heat Exchanger To Condensate Dish- <b>Series 1 &amp; 2</b>
140	383-700-104	Gasket To Seal Condensate Dish To Internal Flue Pipe- <b>Series 1 &amp; 2</b>
150	383-700-105	Refractory Insulation & Silicone Sealant - <b>Model 70 Series 1 &amp; 2, Model 110 Series 1 ONLY</b>
160	383-700-108	Heat Exchanger Cover Plate, Refractory, Silicone, and Gaskets. (Includes Items 150, 170, 200, 220, and 250) - <b>Model 70 Series 1 &amp; 2, Model 110 Series 1 ONLY</b>
170	383-700-109	Cover Plate Gasket - Heat Exchanger To Cover Plate- <b>Series 1 &amp; 2</b>
180	383-700-185	Sight Glass Kit - Bracket, Glass, Gaskets, and Hardware - (Includes Items 190, and 200)- <b>Series 1 &amp; 2</b>
190	591-419-202	Sight Glass- <b>Series 1 &amp; 2</b>
200	383-700-112	Sight Glass Gaskets - Upper and Lower- <b>Series 1 &amp; 2</b>
210	383-700-113	Igniter Kit - (Includes Igniter, Gasket, and Hardware) - <b>Model 70 Series 1 &amp; 2, Model 110 Series 1 ONLY</b>
220	590-300-034	Igniter To Cover Plate Gasket - <b>Series 1 &amp; 2</b>
240	383-700-106	Burner, Gasket, and Hardware - (Includes Item 250) - <b>Model 70 Series 1 &amp; 2, Model 110 Series 1 ONLY</b>
250	383-700-107	Burner Gasket - <b>Model 70 Series 1 &amp; 2, Model 110 Series 1 ONLY</b>
260	511-724-296	Heat Exchanger Water Temperature Sensor. ( 1 Sensor for Either Boiler Inlet or Outlet Water Temperature)- <b>Series 1 &amp; 2</b>

# ECO - Series 2 Heat Exchanger Assembly - Model 110 Only



GAS

## ECO - Series 2 Heat Exchanger Assembly

Fig No.	Part No.	Description
100	383-800-238	Heat Exchanger
N/S	383-800-239	Heat Exchanger - Condensate Dish, Cover Plate, Burner, Igniter, Sight Glass, Refractory, Water Sensors, Gaskets, Silicone, and Hardware
150	383-700-244	Refractory Insulation & Silicone Sealant
160	383-800-240	Heat Exchanger Cover Plate, Refractory, Silicone, and Gaskets.
210	383-700-245	Igniter Kit - (Includes Igniter, Gasket, and Hardware)
240	383-700-246	Burner, Gasket, and Hardware
250	383-700-247	Burner Gasket

**NOTICE: ALL OTHER HEAT EXCHANGER PARTS ARE THE SAME FOR SERIES 1 AND 2**

# ECO - Series 1 & 2 Heat Exchanger Assembly - 155

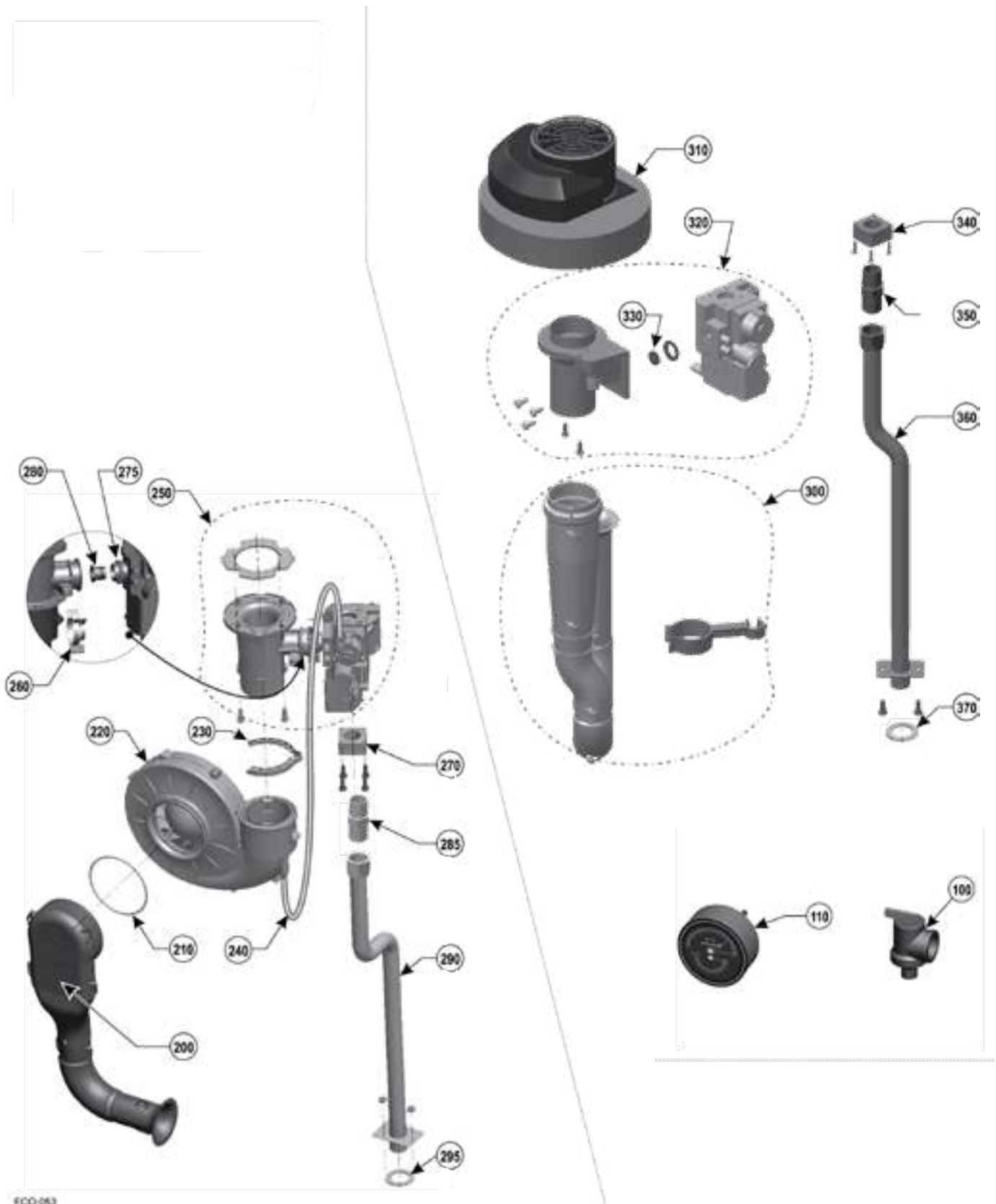


ECO-152

## ECO- Series 1 & 2 Heat Exchanger Parts - 155

Fig No.	Part No.	Description
100	383-800-231	Heat Exchanger
110	383-800-233	Heat Exchanger Complete , Condensate Dish, Cover Plate, Burner, Igniter, Sight Glass, Refractory, Water Sensors, Gaskets, Silicone, and Hardware - (Includes Items 100, 130, 140, 160, 170, 180, 190, 200, 210, and 270)
120	590-318-054	Cover Plate Gasket - Cover Plate To Heat Exchanger
130	511-724-296	Boiler Inlet Temperature Sensor
140		Boiler Outlet Temperature Sensor - (Same as Item 130)
150	590-318-006	Blower Gasket
160	383-700-181	Condensate Dish, Includes Gaskets - (Items 170, and 180), and Hardware
170	383-700-205	Gasket To Seal Heat Exchanger To Condensate Dish
180	383-700-104	Gasket To Seal Condensate Dish To Internal Flue Pipe
190	383-700-184	Heat Exchanger Cover Plate, Refractory, and Gaskets - (Includes Items 200, 230, 260, and 290)
200	383-700-182	Refractory Insulation and Silicone Sealant
210	383-700-183	Burner, Gasket, and Hardware - (Includes Item 220)
220	383-700-208	Burner Gasket
230	383-700-202	Burner Access Cover, Gasket, And Hardware - (Includes Item 240)
240	383-700-206	Burner Access Cover Gasket
250	383-700-187	Igniter Kit - (Includes Igniter, Gasket, and screws) (Includes Item 260)
260	590-300-034	Igniter Gasket
270	383-700-185	Sight Glass Kit - (Includes Bracket, Glass, Gaskets, and Hardware) (Includes Items 280, & 290)
280	591-419-202	Sight Glass
290	383-700-112	Sight Glass Gaskets, Upper and Lower
N/S	383-700-207	Heat Exchanger Cover Plate Gasket Set - (Includes Items 120, 150, 220, 240, And 260)

# ECO Combustion Components - 70/110/155

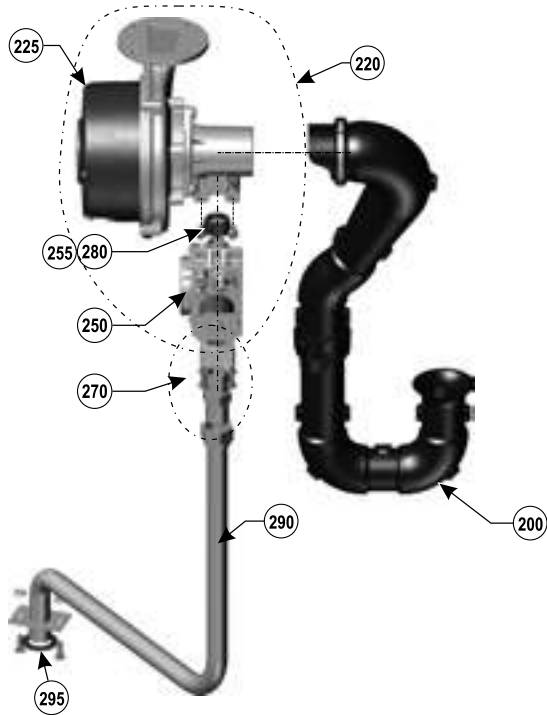




ECO  
Combustion Component Parts - 70/110/155

FIG NO.	Part Number	Description / contents	70 Series 1 & 2	110 Series 1	110 Series 2	155 Series 1 & 2
100	383-500-095	30 PSIG Relief Valve	•	•	•	•
110	380-000-000	Pressure Temperature Gauge, 60-360° F, 0-75 PSI, 3/8" Diameter, 1/4" N.P.T.	•	•	•	•
200	383-700-155	Air Inlet Silencer	•	•		
210	590-318-049	Silencer O-ring	•	•		
220	383-700-157	Blower With Clip, and Gasket	•	•		
230	562-650-115	Blower Retainer Clip	•	•		
240	590-300-001	Reference Tube - Tube To Connect Blower To Gas valve	•	•		
250	383-700-159	Gas Valve/Venturi Assembly - (Includes Gas Valve, Venturi (027), Gasket, O-ring, Clip, and Screws)	•			
	383-700-160	Gas Valve/Venturi Assembly - (Includes Gas Valve, Venturi (040), Gasket, O-ring, Clip, and Screws)		•		
260	562-650-116	Gas Valve Retainer Clip	•	•		
270	563-910-031	Gas Valve Adapter Block - (Includes Block, O-ring, and Screws)	•	•	•	•
275	590-318-045	Gas Valve Outlet O-ring	•	•		
285	562-302-576	Gas Flex Line Adapter - N.P.T To Flare Adapter	•	•	•	•
290	383-800-224	Gas Flex Line - (Includes Gas Line, Seal, and Hardware)	•	•		
295	590-300-027	Gas Pipe Flange Gasket, Gasket Gas Flex Line to Cabinet	•	•	•	
300	383-700-203	Air Inlet Silencer - Silencer, Gasket, and Clip				•
310	383-700-195	Blower				•
320	383-700-196	Gas Valve/Venturi Assembly - (Includes Gas Valve, Venturi, Gasket, and Hardware)				•
330	Propane Orifice--Boilers Converted To Propane <b>ONLY</b> -- Available <b>ONLY</b> With Propane Conversion Kit					
340	563-910-031	Gas Valve Adapter Block - (Includes Block, O-ring, and Screws)				•
360	383-800-241	Gas Flex Line - (Includes Gas Line, Seal, and Hardware)				•
370	590-300-027	Gas Pipe Flange Gasket, Gasket Gas Flex Line To Cabinet				•

**ECO - Series 2**  
**Combustion Components - Model 110 Only**



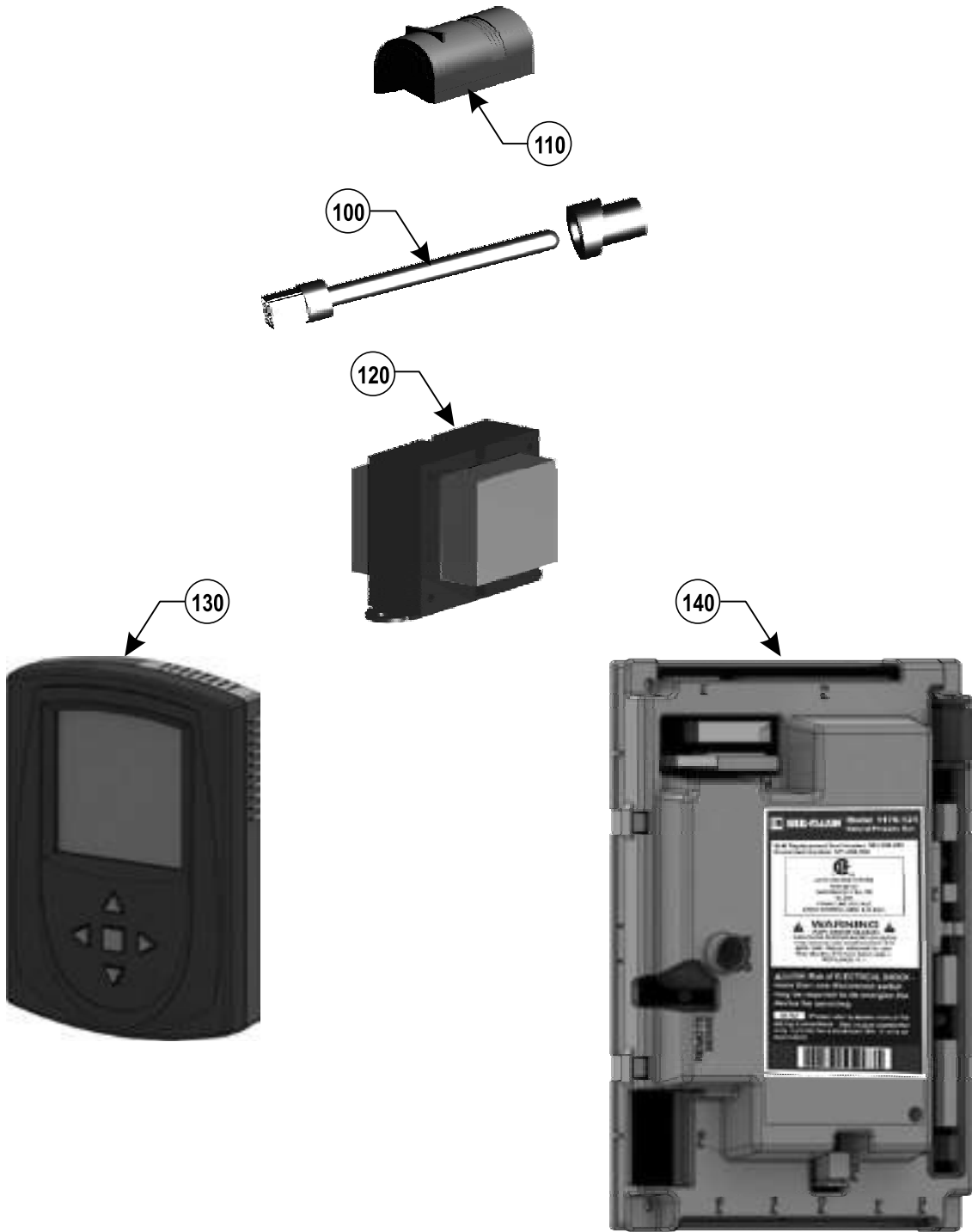
**GAS**

**ECO - Series 2**  
**Heat Exchanger Assembly - Model 110 Only**

FIG NO.	Part Number	Description / contents	110
200	383-700-248	Air Inlet Silencer	•
220	590-318-115	Blower, Venturi, Silencer, ORing, And Gas Valve Assembly - Includes Blower Gasket	•
225	383-700-260	Blower And Venturi Assembly - Includes Blower Gasket	•
250	383-700-259	Gas Valve - (Includes Gas Valve, Rubber Boot And Screws)	•
255	383-700-261	Rubber Boot - Gasket Between Gas Valve And Venturi	•
290	383-800-241	Gas Flex Line - (Includes Gas Line, Seal, and Hardware)	•

**NOTICE:ALL OTHER COMBUSTION COMPONENTS ARE THE SAME FOR SERIES 1 AND 2**

ECO  
Controls/Electrical Assemblies - 70/110/155



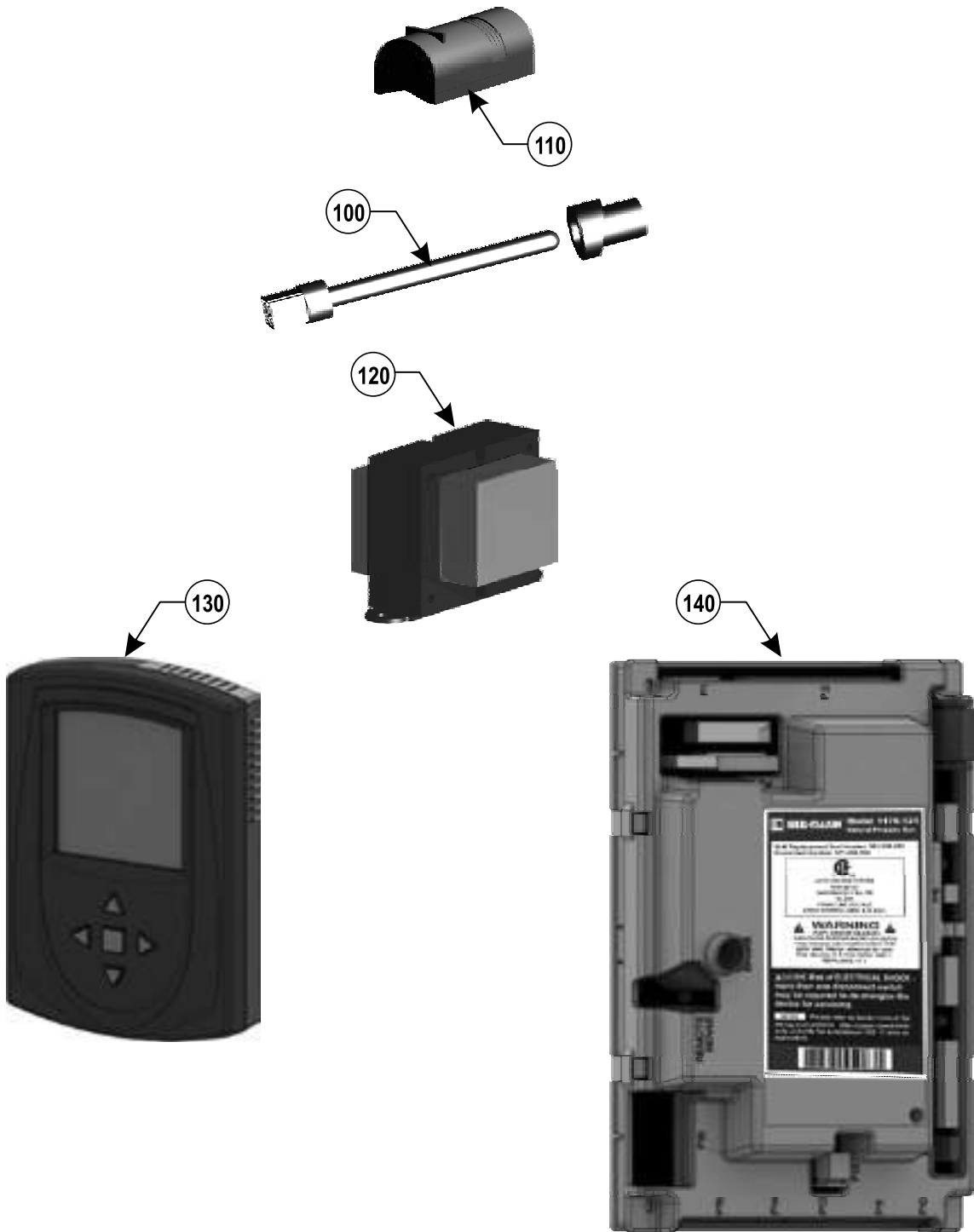
GAS

ECO-154

ECO  
Controls/Electrical Assemblies Parts - 70/110/155

Fig No.	Part No.	Description
90	590-318-011	Flue Temperature Sensor Grommet
100	383-500-600	Flue Temperature Sensor
110	510-312-218	Outdoor Temperature Sensor
120	383-500-628	Transformer 120/24 Volt, 50 VA
130	381-330-019	Display Board Assembly - <b>Models 70/110/155 Series 1 ONLY</b>
140	381-330-018	Control Module Assembly - <b>Models 70/110/155 Series 1 ONLY</b>
130	381-330-030	Display Board Assembly - <b>Models 70/110/155 Series 2 ONLY</b>
140	381-330-029	Control Module Assembly - <b>Models 70/110/155 Series 2 ONLY</b>
N/S	591-392-001	Wire Harness--- Line Voltage - ECO - <b>Model 70 Series 1 &amp; 2, Model 110 Series 1 ONLY</b> - Connects To Blower, And Ignition And Chassis Ground
	591-392-003	Wire Harness--- Line Voltage - ECO 155 - Connects To Blower, Ignition, And Chassis Ground.
	591-392-000	Wire Harness--- Low Voltage - ECO - <b>Model 70 Series 1 &amp; 2, Model 110 Series 1 ONLY</b> - Connects To Return And Supply Sensors, Gas Valve, And Blower Control.
	591-392-002	Wire Harness--- Low Voltage - ECO 155 - Connects to Return And Supply Sensors, Gas Valve, And Blower Control.
	591-392-004	Wire Harness--- Display To Control Module - ECO 70/110/155
	591-392-012	Ignition Cable
	383-500-603	F1 - 3 Amp Fast Blow ATO - 5 Fuses
	383-500-604	F2 - 12 Amp Fast Blow AG - 5 Fuse
	383-500-641	Jumper For Low Voltage Terminal Block - 5 Jumpers
	383-800-229	Connector Electrical Control - Includes all 6 Connectors
	562-248-771	Low Voltage Sealed Wire Cord Grip - Seals Thermostat Wire at Entrance to Cabinet
	511-100-005	24-V LWCO Kit with Quick Connect Harness
150	383-500-095	Relief Valve, 30 PSIG - For Models 70, 110, 155
160	380 -000-000	Pressure Temperature Gauge, 60-360°F, 0-75 PSI, 3/8" Diameter, 1/4" N.P.T.

# ECO - Series 2 Controls And Electrical Components - Model 110 Only



GAS

ECO-154

**ECO - Series 2**  
**Controls And Electrical Components - Model 110 Only**

Fig No.	Part No.	Description
130	381-330-030	Display Board Assembly - <b>SERIES 2 ONLY</b>
140	381-330-029	Control Module Assembly - <b>SERIES 2 ONLY</b>
N/S	591-392-031	Wire Harness--- Line Voltage - ECO 110
	591-392-030	Wire Harness--- Low Voltage - ECO 110

**NOTICE: ALL OTHER CONTROL AND ELECTRICAL COMPONENTS ARE THE SAME FOR SERIES 1 AND 2**

**ECO**  
**Miscellaneous Parts And Kits - 70/110/155**

Fig No.	Part No.	Description
<b>Chemicals</b>		
N/S	592-900-029	Antifreeze, Sentinel X500 - 1 Gallon
	592-900-006	Antifreeze, Sentinel X500 - 5 Gallon
	592-900-002	Corrosion Inhibitor, Sentinel X100
	592-900-005	Sentinel X100 Quick Test Kit
	592-900-003	Cleaner, Sentinel X400
<b>Boiler Accessories</b>		
N/S	383-700-165	ECO <b>70 Series 1 &amp; 2, 110 Series 1 ONLY</b> Maintenance Kit - Includes Igniter, Gaskets-(Igniter, Venturi, and Cover Plate),Venturi-Gas Valve O-ring, Refractory, Silicone, Inhibitor Test Kit, Clips, and Manuals
	383-700-200	ECO 155 Maintenance Kit - Includes Igniter, Gaskets-(Igniter, Venturi, and Cover Plate),Venturi-Gas Valve O-ring, Refractory, Silicone, Inhibitor Test Kit, Clips, and Manuals
	383-800-218	Wall Mount Kit - (Supplied With Boiler) Includes Wall-Mount Bracket, and Hardware
	383-800-101	ECO Floor Stand Kit
	560-907-722	Condensate Trap Kit - (Supplied With Boiler) Includes Trap Assembly, and Flexible Line
<b>Condensate Handling Accessories</b>		
N/S	383-500-631	Condensate Neutralizer Kit
<b>Propane Conversion Kits</b>		
N/S	540-202-837	Propane Conversion Kit -(Includes LP Orifice, Label, and Instructions) ECO-70
	540-202-838	Propane Conversion Kit -(Includes LP Orifice, Label, and Instructions) <b>ECO-110-Series 1 ONLY</b>
	540-202-839	Propane Conversion Kit -(Includes LP Orifice, Label, and Instructions) ECO-155
	540-131-088	Propane Conversion Kit -(Includes LP Orifice, Label, and Instructions) <b>ECO-110-Series 2 ONLY</b>
<b>Vent/Air Parts and Kits (PVC or Stainless Steel)</b>		
N/S	383-500-397	Weil-McLain Sidewall Vent/Air Cap Termination Kit for PVC Vent and Air Pipes - (Includes Sidewall Vent/Air Termination Cap, Inside and Outside Cover Plates and Mounting Hardware; Openings are For 3" PVC Pipe (Requires Field Installed 3" X 2" Adapter if Using 2" Vent/Air Pipes)
	382-200-430	Weil-McLain Sidewall Vent/Air Cap Termination Kit for AL29-4C Vent Pipe and PVC Air Pipe - (Includes Sidewall Vent/Air Termination Cap, Inside and Outside Cover Plates and Mounting Hardware; Openings are For 3" SS Vent Pipe and 3" PVC Air Pipe (Requires Field Installed 3" X 2" Adapter if Using 2" Vent/Air Pipes)
	383-700-171	Sidewall Separate Pipes Vent/Air termination Kit (Includes 2 Cover Plates) - For 2" PVC Vent and Air pipes
	383-500-100	Sidewall Separate Pipes Vent/Air termination Kit (Includes 2 Cover Plates) - For 3" PVC Vent and Air Pipes
	383-700-172	Sidewall Separate Pipes Vent/Air termination Kit (Includes 2 Cover Plates) - For 3" AL29-4C SS Vent Pipe and 3" PVC Pipe
	383-700-167	PVC Concentric Vent Kit - Horizontal or Vertical - Kit For 2" PVC Vent/Air Pipes
	383-500-350	PVC Concentric Vent Kit - Horizontal or Vertical - Kit For 3" PVC Vent/Air Pipes
	560-907-728	Bird Screen - 2" PVC - Vent/Air Pipes - Includes 1 Screen
	383-500-105	Bird screen - 3" PVC - Vent/Air Pipes - Includes 1 Screen
	383-700-235	Termination Restrictor Kit - (Includes Intake Washer, PVC Restrictor, and Instructions)
<b>Boiler Accessories (SERIES 2 - 110 ONLY)</b>		
N/S	383-700-243	ECO 110 Maintenance Kit - Includes Igniter, Gaskets-(Igniter, Venturi, and Cover Plate),Venturi-Gas Valve O-ring, Refractory, Silicone, Inhibitor Test Kit, Clips, and Manuals. <b>SERIES 2 ONLY</b>

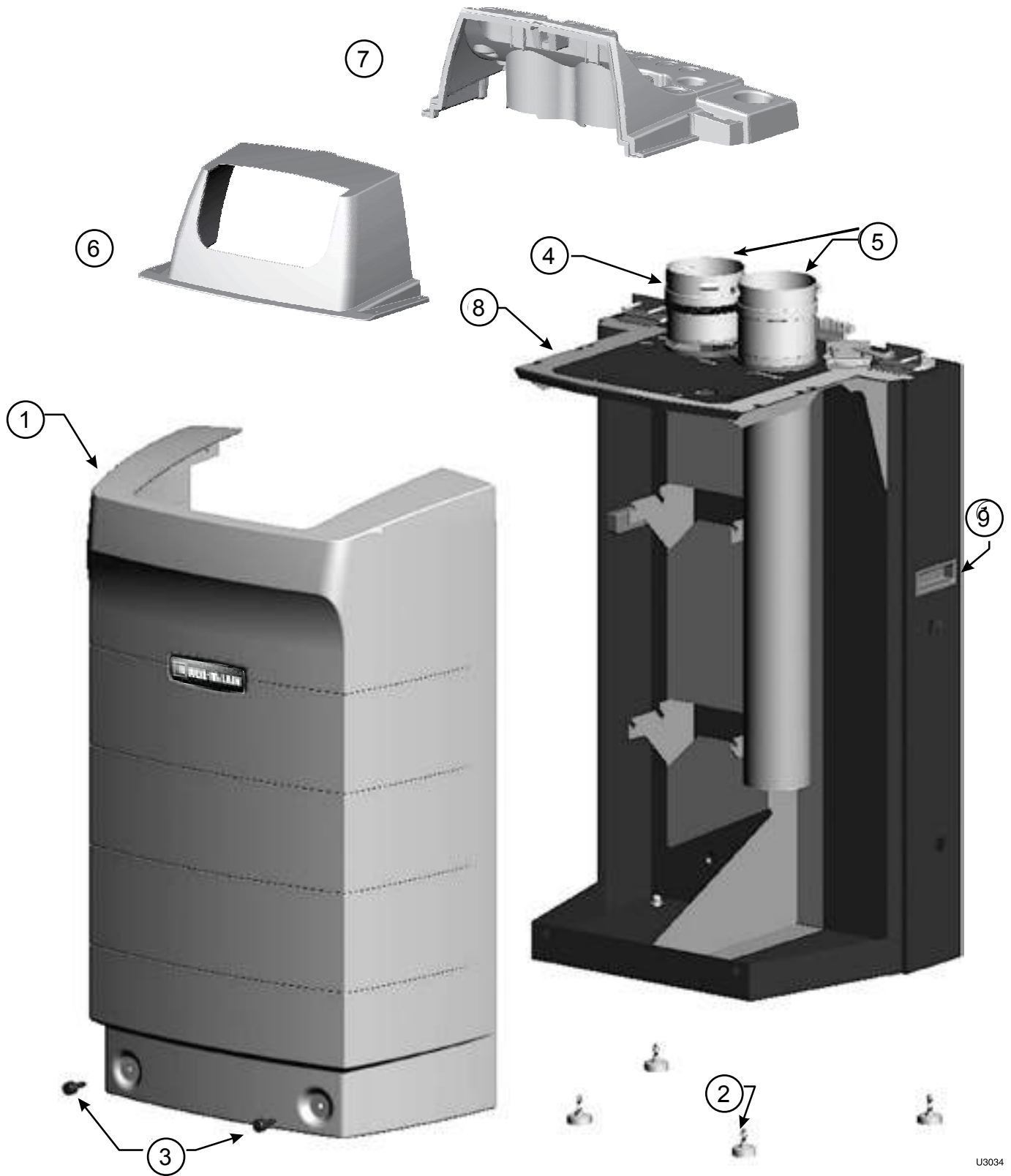


ECO  
Miscellaneous Parts And Kits - 70/110/155

Fig No.	Part No.	Description
<b>Vent/Air Parts and Kits (Polypropylene Pipe)</b>		
<b>Available From M&amp;G Simpson-Duravent ONLY</b>		
N/S	2PPS-HK	M&G Simpson-Duravent PolyPro Sidewall Concentric Vent/Air Kit - (Color White) - For 2" Polypropylene Pipe
	3PPS-HK	M&G Simpson-Duravent PolyPro Sidewall Concentric Vent/Air Kit - (Color White) - For 3" Polypropylene Pipe
	2PPS-VK	M&G Simpson-Duravent PolyPro Vertical Concentric Vent/Air Kit - (Color - Black is Part Number Shown) or Terra Cotta - (Add -TC Suffix) For 2" Polypropylene Pipe
	3PPS-VK	M&G Simpson-Duravent PolyPro Vertical Concentric Vent/Air Kit - (Color - Black is Part Number Shown) or Terra Cotta - (Add -TC Suffix) For 3" Polypropylene Pipe
	2PPS-HTP	M&G Simpson-Duravent PolyPro Sidewall Separate Vent/Air Kit - For 2" Polypropylene Pipe
	3PPS-HTP	M&G Simpson-Duravent PolyPro Sidewall Separate Vent/Air Kit - For 3" Polypropylene Pipe
<b>Vent/Air Parts and Kits (Polypropylene Pipe)</b>		
<b>Available From Centrotherm Eco Systems ONLY</b>		
N/S	ICWT352	Centrotherm INNOFLUE Sidewall Concentric Vent/Air Kit - 3" Polypropylene Pipe
	ICWS2413	Centrotherm INNOFLUE Sidewall Concentric Vent/Air Kit - 2" Stainless Steel/PP Pipe
	ICWS3513	Centrotherm INNOFLUE Sidewall Concentric Vent/Air Kit - 3" Stainless Steel/PP Pipe
	ICRT2439	Centrotherm INNOFLUE Vertical Concentric Vent/Air Kit - 2" Polypropylene Pipe
	ICRT3539	Centrotherm INNOFLUE Vertical Concentric Vent/Air Kit - 3" Polypropylene Pipe

---

# Ultra Series 3 / 3UE / CT Jacket



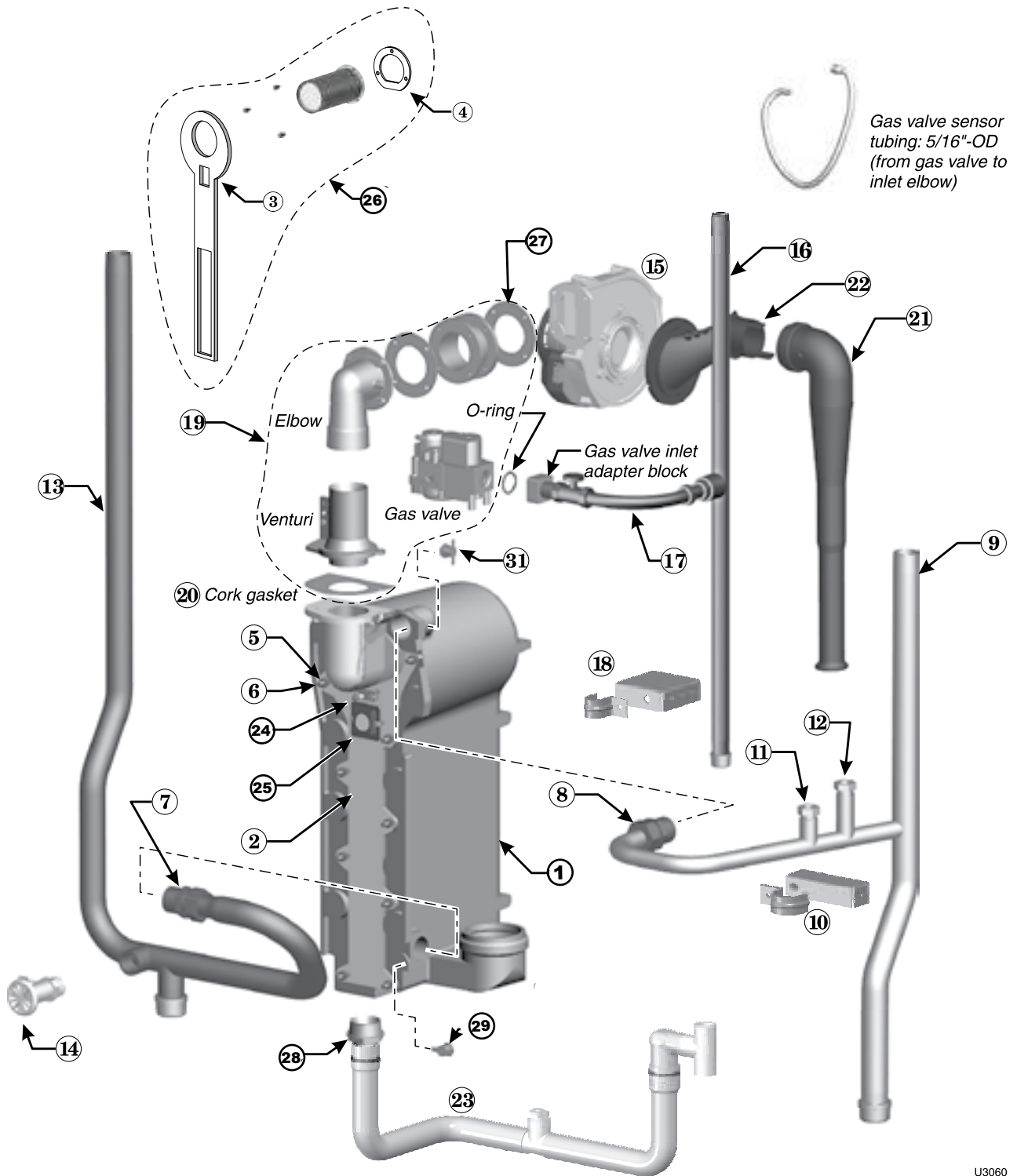
GAS

U3034

## Ultra Series 3 / 3UE /CT Jacket Parts

Fig. No.	Part No.	Description	Model
1	383-500-135	Jacket Front Door	
2	383-500-065	Boiler Leg Kit (4 Required)	
3	383-500-320	Knurled Heat Screw For Jacket Front Door (2 Required)	
N/S	383-500-180	Knurled Heat Screw Clip-On Receptacle (2 Required)	
4	560-907-704	Air Adapter Assembly (Includes: Adapter, Gasket, and Mounting Bracket)	80/105
	560-907-707	Air Adapter Assembly (Includes: Adapter, Gasket, and Mounting Bracket)	155
	560-907-710	Air Adapter Assembly (Includes: Adapter, Gasket, and Mounting Bracket)	230-399
5	560-907-771	Flue Outlet Adapter - 3"	80/105
	560-907-775	Flue Pipe - 3"	
	460-005-796	Bracket	
	562-500-001	Clamp	
	560-907-771	Flue Outlet Adapter - 3"	155
	560-907-772	Flue Pipe - 3"	
	460-005-797	Bracket	
	562-500-002	Clamp	
	560-907-773	Flue Outlet Adapter - 4"	230-399
	560-907-774	Flue Pipe - 4"	
	460-005-798	Bracket	
	562-500-003	Clamp	
6	383-500-607	Top Cover, Front	
7	383-500-608	Top Cover, Rear	80 to 230
	383-500-609	Top Cover, Rear	310/299/ 399
8	383-500-610	Door Gasket Replacement Kit	All
9	383-500-611	Handle (2 Required)	All
N/S	592-002-033	Touch Up Paint - Black - Low E 4.5oz Can	All
N/S	383-500-638	Electrical Plug	
	592-800-022	3" Flue/Intake Gasket	80/105/155
	592-800-023	4" Flue/Intake Gasket	230/299/ 310/399
	590-318-007	70mm Lower Flue-Way Gasket	80/105
	590-318-003	80mm Lower Flue-Way Gasket	155
	590-318-004	100mm Lower Flue-Way Gasket	230/299/ 310/399

## Ultra Series 3 / 3UE / CT - (Ultra-80/105) Heat Exchanger / Piping



U3060

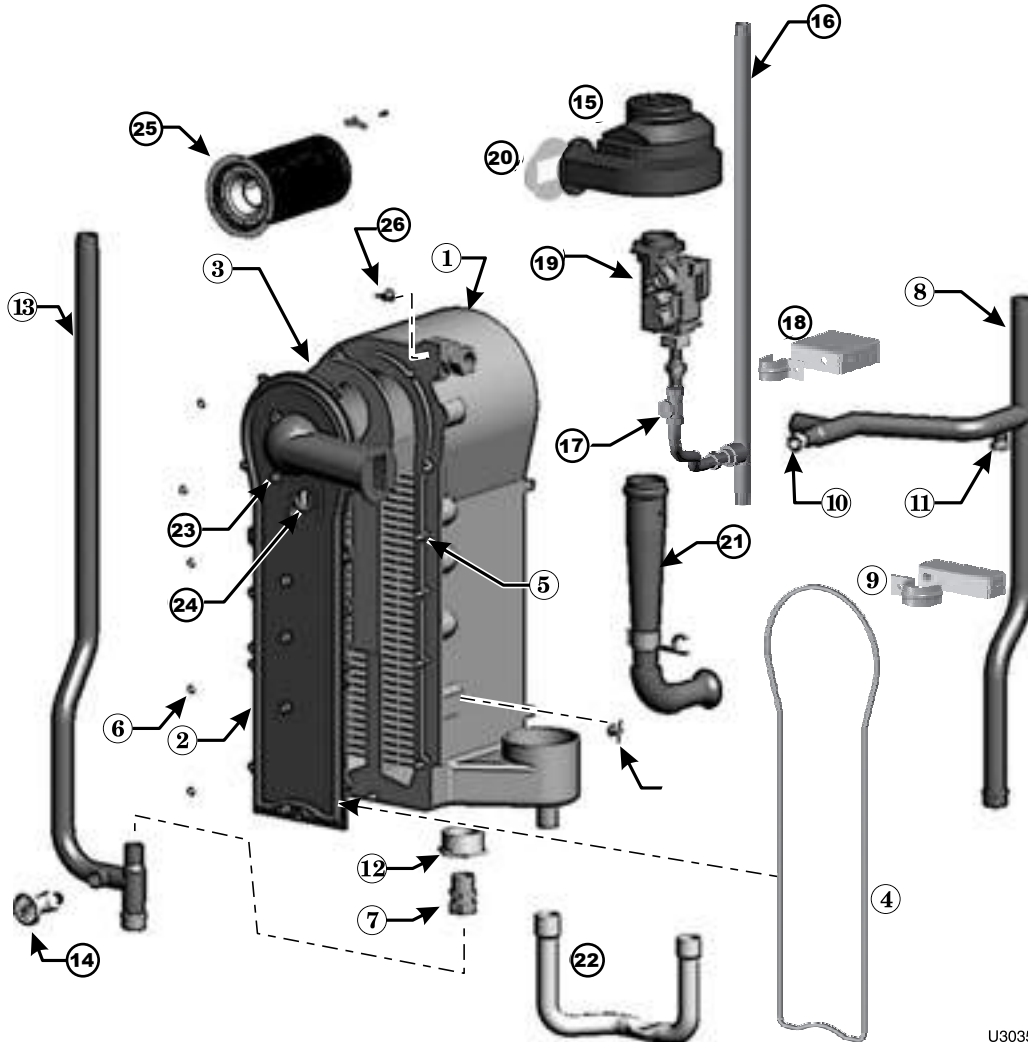
Fig. No.	Part No.	Description	Boiler Models
1	383-500-670	Heat Exchanger Replacement Kit - (Includes: Heat Exchanger, Cover Plate, Burner, Electrode, Water Sensors, Compression Fittings, Condensate Fitting, Gaskets, and Hardware)	80NG
	383-500-671		80LP
	383-500-672		105

GAS

**Ultra Series 3 / 3UE / CT - (Ultra-80/105)  
Heat Exchanger / Piping Parts**

Fig. No.	Part No.	Description	Boiler Models
2	383-501-022	Cover Plate Replacement Kit - (Includes: Cover Plate, Cover Plate Gasket, Burner Gasket, and Hardware)	80/105
3	591-200-000	Cover Plate Gasket/Insulation	80/105
4	590-300-000	Burner Gasket	80/105
5	560-340-598	Cover Plate Studs, M6, 1 Pitch	All
6	561-928-449	Cover Plate Nuts, M6, 1 Pitch	All
7	383-500-260	Water Compression Fitting, 28 mm	80/105
8	564-100-002	Water Compression Fitting, 22 mm	80/105
9	383-501-036	Supply Water Pipe Assembly - (Includes: Pipe, Temperature Well, Check Valve, Cap (Assembled) and Compression Fitting)	80/105
10	383-500-615	Supply Water Lower Pipe Clamp and Hardware	80/105
11	383-500-270	½" N.P.T Well For Temperature Gauge	All
12	383-500-275	Pressure/Temperature Gauge Check Valve	All
13	383-501-037	Return Water Pipe Assembly - (Includes: Pipe, Drain Valve, Cap (Assembled) and Compression Fitting)	80/105
14	511-246-392	Boiler Drain Valve, ¾" N.P.T.	All
15	383-501-027	Blower Assembly Kit - (Includes: Blower, Gasket, and Hardware)	80/105
16	560-907-682	Gas Pipe	80/105
17	383-500-616	Flexible Gas Line Section, (Includes- Shut Off Valve, Block,O-Ring, and Screws)	80/105
18	383-500-617	Gas Pipe Lower Pipe Clamp And Hardware	80/105
N/S	563-910-031	Gas Valve Block (Includes Block, O-ring, and Screws)	All
19	383-501-029	Gas Valve/Venturi Kit - (Includes: Gas Valve, Venturi, 90° Elbow, Gaskets, and Hardware (Assembled)) (For LP boilers, Make Sure to Reinstall The Existing Propane Orifice)	80
	383-501-030		105
20	590-317-310	Gasket Cork (For In Between Gas Valve Venturi and Burner Inlet)	All
21	383-501-026	Air Silencer Kit - Air Silencer and Gasket	80/105
22	383-501-025	Air Silencer Adapter Kit - Air Silencer Adapter and Hardware	80/105
23	383-500-618	Condensate Trap Kit - Condensate Trap, Hose Clamps, PVC Fittings and Gasket	80/105
24	383-500-045	Ignition Electrode Kit - Ignition Electrode, Suppressor, Gasket and Hardware	All
N/S	383-500-619	Ignition Cable Kit - Ignition Cable, Suppressor and Wire Tie	All
25	383-500-020	Inspection Glass Kit - Bracket, Glass, Gasket and Hardware	All
26	383-501-032	Burner Replacement Kit - Burner, Gaskets and Hardware	80NG
	383-501-033		80LP
	383-501-034		105
N/S	383-900-090	Burner Insert Repair Kit (Includes Drill-(6.9mm), Tap, Inserts, Screws, Instructions)	All
27	590-300-003	Gasket Rubber, Blower	80/105
28	561-200-000	Condensate Fitting	80/105
29	383-500-602	Return/Supply Sensor Kit - (1) Sensor	All
N/S	383-600-009	Gas Valve "O" ring, Includes 10 "O" Rings	All
	590-317-310	Cork Gasket (Goes Between Gas Valve and Blower)	All
	590-300-001	Silicone Tube - From Gas Valve To 90° Elbow	80/105

## Ultra Series 3 / 3UE / CT - (Ultra-155 / 230) Heat Exchanger / Piping Parts



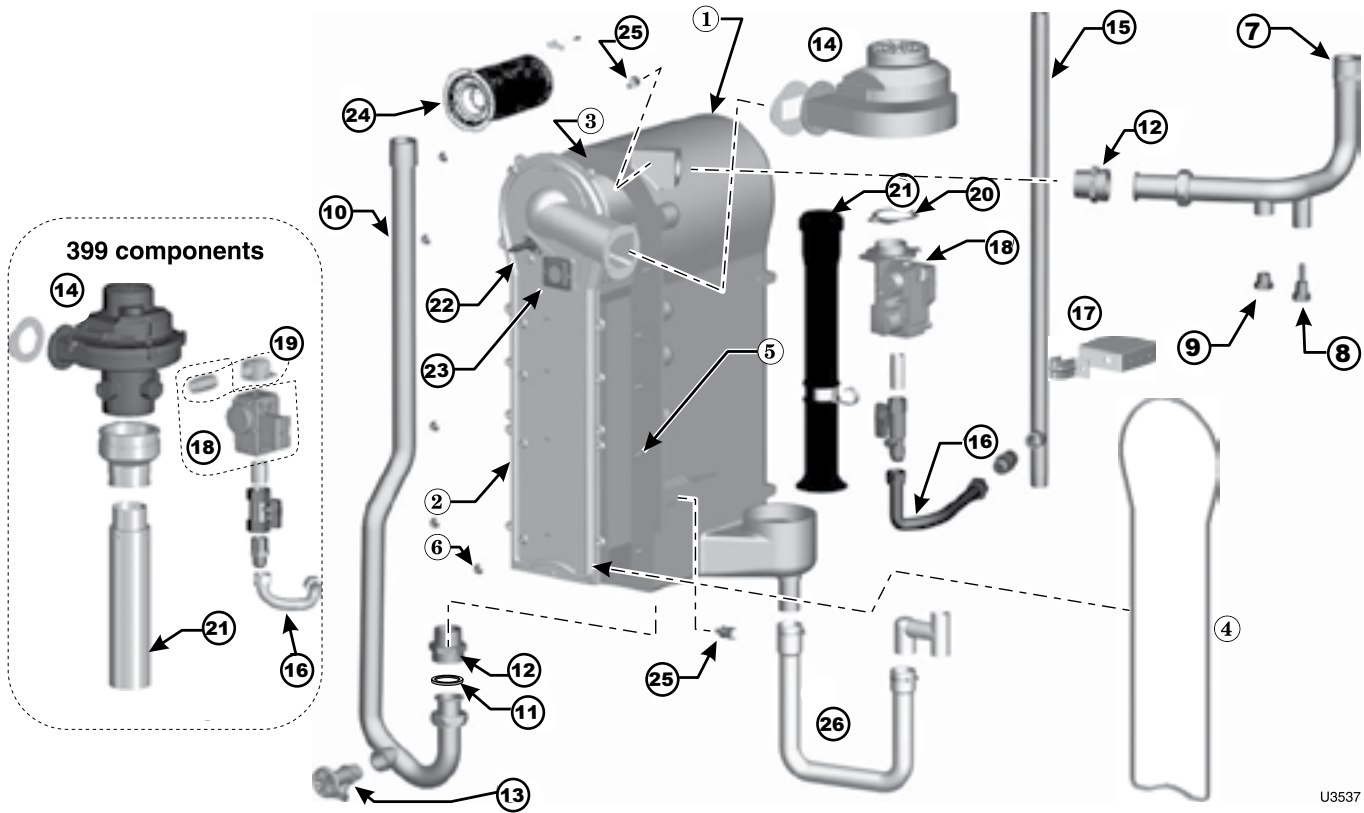
U3035

Fig. No.	Part No.	Description	Boiler Model
1	383-500-673	Heat Exchanger Replacement Kit - (Includes: Heat Exchanger, Cover Plate, Burner, Electrode, Water Sensors, Compression Fittings, Condensate Fitting, Gaskets and Hardware)	155
	383-500-674		230
2	383-500-395	Cover Plate Replacement Kit - (Includes: Cover Plate, Cover Plate Gasket, Burner Gasket and Hardware)	155/230
3	383-500-250	Cover Plate Insulation/Burner Gasket	155/230
4	383-500-255	Cover Plate Gasket	155/230
5	560-340-598	Cover Plate Studs, M6, 1 Pitch	All
6	561-928-449	Cover Plate Nuts, M6, 1 Pitch	All
7	383-500-260	Water Compression Fitting, 28 mm	155/230
8	383-500-265	Supply Water Pipe Assembly - (Includes: Pipe, Temperature Well, Check Valve, Cap (Assembled) and Compression Fitting)	155/230
9	383-500-615	Supply Water Lower Pipe Clamp and Hardware	155/230
10	383-500-270	½" N.P.T Well for Temperature Gauge	All

**Ultra Series 3 / 3UE / CT - (Ultra-155 / 230)  
Heat Exchanger / Piping Parts**

11	383-500-275	Pressure/Temperature Gauge Check Valve	All
12	383-500-280	Return Water Bushing, 1¼" BSP x 1" BSP (Not Used On Ultra-310)	155/230
13	383-500-285	Return Water Pipe Assembly - (Includes: Pipe, Drain Valve, Cap (Assembled) and Compression Fitting)	155/230
14	511-246-392	Boiler Drain Valve, ¾" N.P.T.	All
15	383-500-035	Blower Assembly Kit (Includes: Blower, Gasket and Hardware)	155
	383-500-040		230
16	560-907-683	Gas Pipe	155/230
17	383-500-624	Flexible Gas Line Section, (Includes Flex-Line and Shut-off Valve)	155/230
N/S	563-910-031	Gas Valve Block, (Includes Block, O-ring, and Screws)	All
18	383-500-617	Gas Pipe Lower Clamp and Hardware	155/230
19	383-500-025	Gas Valve/Venturi Kit (Includes: Gas valve, Venturi, (Make Sure to Reinstall The Existing Propane Orifice)	155
	383-500-030		230
20	590-318-006	Gasket Blower (Rubber) Discharge Gasket	All
21	383-500-295	Air Silencer Kit (Includes: Air Silencer and Gasket)	155/230
22	383-500-060	Condensate Trap Kit (Includes: Condensate Trap, Hose Clamps, PVC Fittings and Gasket)	155/230
23	383-500-045	Ignition Electrode Kit (Includes: Ignition Electrode, Suppressor, Gasket and Hardware)	All
N/S	383-500-619	Ignition Cable Kit (Includes: Ignition Cable, Suppressor and Wire Tie)	All
24	383-500-020	Inspection Glass Kit (Includes: Bracket, Glass, Gasket and Hardware)	All
25	383-500-085	Burner Replacement Kit (Includes: Burner, Gaskets and Hardware)	155
	383-500-090		230
N/S	383-900-090	Burner Insert Repair Kit (Includes Drill, Tap, Insert, Screws, Instructions)	155/230
	383-500-660	Burner Screw/Tab Kit (Includes: 3 Burner Screws and 3 Tabs)	All
26	383-500-602	Return/Supply Sensor Kit - (1) Sensor	All
N/S	383-600-009	Gas Valve "O" Ring (Includes (10) "O" Rings)	All
	590-318-006	Rubber Gasket For Inducer Discharge To Heat Exchanger	All
	590-317-310	Cork Gasket (Goes Between Gas Valve Venture and Blower)	All

## Ultra Series 3 / 3UE / CT - (Ultra-299 / 310 / 399) Heat Exchanger / Piping Parts



U3537

Fig. No.	Part No.	Description	Boiler Model
1	383-500-675	Heat Exchanger Replacement Kit (Includes: Heat Exchanger, Cover Plate, Burner, Electrode, Water Sensors, Compression Fittings, Condensate Fitting, Gaskets and Hardware)	299/399
2	383-500-395	Cover Plate Replacement Kit (Includes: Cover Plate, Cover Plate Gasket, Burner Gasket and Hardware)	299/399
3	383-500-250	Cover Plate Insulation/Burner Gasket	299/399
4	383-500-255	Cover Plate Gasket	299/399
5	560-340-598	Cover Plate Studs, M6, 1 Pitch	All
6	561-928-449	Cover Plate Nuts, M6, 1 Pitch	All
7	383-500-380	Supply Water Pipe Assembly (Includes: Pipe, Temperature Well, Check Valve, Cap (Assembled) and Compression Fitting)	299-399
8	383-500-270	½" N.P.T. Well For Temperature Gauge	All
9	383-500-275	Pressure/Temperature Gauge Check Valve	All



**Ultra Series 3 / 3UE / CT - (Ultra-299 / 310 / 399)  
Heat Exchanger / Piping Parts**

Fig. No.	Part No.	Description	Boiler Model
10	383-500-385	Return Water Pipe Assembly (Includes: Pipe, Drain Valve, Cap (Assembled) and Compression Fitting)	299/399
11	562-248-755	Supply/Return Water Piping Square Cut Garlock Gasket	299-399
12	561-326-828	Fitting, Double Nipple For Supply/Return	299-399
13	511-246-392	Boiler Drain Valve, 3/4" N.P.T	All
14	383-500-360	Blower Assembly Kit (Includes: Blower, Gasket, and Hardware)	299/310
	383-500-650		399
15	560-907-679	Gas Pipe	299-399
16	560-900-016	Flexible Gas Line Section and Shut-off Valve	299/310
	383-500-653		399
N/S	563-910-031	Gas Valve Block - (Includes Block, O-ring, and Screws)	
17	383-500-625	Gas Pipe Lower Clamp and Hardware	299/310
18	383-500-390	Gas Valve/Venturi Kit - (Includes: Gas valve, Venturi, (For 310LP Boilers, Make Sure To Reinstall The Existing Propane Orifice)	299
	383-500-652	Gas Valve Kit (Includes: Gas Valve, Venturi and Burner Inlet)	399
19	383-500-651	Gas Valve Outlet Adapter/Nipple Kit	399
20	590-317-310	Gasket Cork (For In Between Gas Valve Venturi and Blower Inlet)	299/310
21	383-500-355	Air Silencer Kit (Includes: Air Silencer and Gasket)	299/310
	383-500-654		399
22	383-500-045	Ignition Electrode Kit (Includes: Ignition Electrode, Suppressor, Gasket and Hardware)	All
	511-330-253	Ignition Electrode Gasket Only	
N/S	383-500-619	Ignition Cable Kit (Includes: Ignition Cable, Suppressor and Wire Tie)	All
23	383-500-020	Inspection Glass Kit (Includes: Bracket, Glass, Gasket and Hardware)	All
24	383-500-407	Burner Replacement Kit (Includes: Burner, Gaskets and Hardware)	299-399
N/S	383-900-090	Burner Insert Repair Kit (Includes Drill, Tap, Insert, Screws, Instructions)	299-399
	383-500-660	Burner Screw/Tab Kit (Includes: 3 Burner Screws and 3 Tabs)	All
25	383-500-602	Return/Supply Sensor Kit - (1) Sensor	All
26	383-500-626	Condensate Trap Kit - (Includes: Condensate Trap, Hose Clamps, PVC Fittings and Gasket)	299-399
N/S	383-600-009	Gas Valve O-Rings (10 Per Bag)	All

# Ultra Series 3 / 3UE / CT Electrical / Controls



GAS

## Ultra Series 3 / 3UE / CT Electrical / Control Parts

Fig. No.	Part No.	Description
1	383-500-658	Ultra U-Control Module
2	383-500-628	Transformer, 120v/24v - 50VA
3	383-500-659	Display Board Assembly (Includes: Plastic and Display Screen)
4	383-500-205	On/Off Power Switch
5	383-500-630	Pressure/Temperature Gauge Assembly (Includes: Temperature and Pressure Sensor)
6	383-500-600	Flue Temperature Sensor Replacement Kit - (Includes Sensor and Grommet)
7	590-318-011	Flue Temperature Sensor Grommet
8	383-500-601	System Temperature Sensors (2 Required)
9	383-500-638	120 Volt, 3-Wire Receptacle
10	383-500-603	Ultra U-Control Module Fuses F - 3-Amp, Fast-Blow ATO (5 Fuses)
11	383-500-604	Ultra U-Control Module Fuses F - 12-Amp, Fast-Blow AG (5 Fuses)
12	383-500-641	Jumper For Low Voltage Terminal Blocks, (5 Jumpers)
13	383-500-642	Ultra U-Control Terminal Block Kit, (Includes: 1 High Voltage Terminal Block, 6 Low Voltage Terminal Blocks and Screwdriver)
14	383-500-636	Upper Low Voltage Wire Harness (Male)
15	383-500-633	Display To U-Control Wire Harness
16	383-500-125	Outdoor Temperature Sensor
N/S	383-500-634	Upper Line Voltage Wire Harness (Male)
	383-500-635	Lower Line Voltage Wire Harness (Female)
	383-500-637	Lower Low Voltage Wire Harness (Female)
	511-100-005	24-V LWCO Kit with Quick Connect Harness

## Ultra Series 3 / 3UE / CT Natural to Propane Conversion



<b>Sea Level to 5500 Feet Altitude</b>			
Fig No	Model	Description	Part Number
1	80	LP Orifice, LP Burner, Instructions, Conversion Label. Order Separately if Converting Natural Gas Boiler.	383-501-020
2	105	LP Orifice, Instructions and Conversion Label. Provided with Boiler	540-100-001
	155		383-500-115
	230		383-500-120
	299		540-202-832
	310		540-202-833
N/S	399	LP Orifice Not Provided. Adjustment Made with Throttle Screw. See Boiler Manual	NA
<b>Above 5500 Feet Altitude</b>			
1	80	LP HA (High Altitude) Orifice. Requires Nat to LP Conversion From Above To Replace Natural Burner With LP Burner.	383-500-644
2	105	LP Orifice, Instructions and Conversion Label	383-500-645
	155		383-500-646
	230		383-500-647
	299		383-500-394
	310		383-500-648
N/S	399	LP Orifice Not Provided. Adjustment Made With Throttle Screw. See Boiler Manual.	NA
<b>Ultra Series 3, 3UE,CT Propane To Natural Conversion</b>			
<b>Sea Level to 5500 Feet Altitude</b>			
N/S	80	Natural Gas Burner, Instructions, Conversion Label. Order Separately if Converting LP Gas Boiler.	383-501-021

GAS

## Ultra Series 3 / 3UE / CT Miscellaneous Parts And Kits

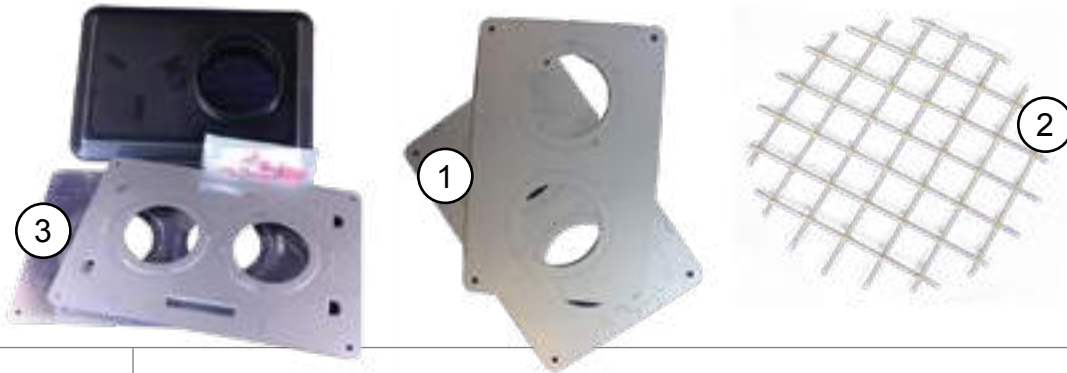
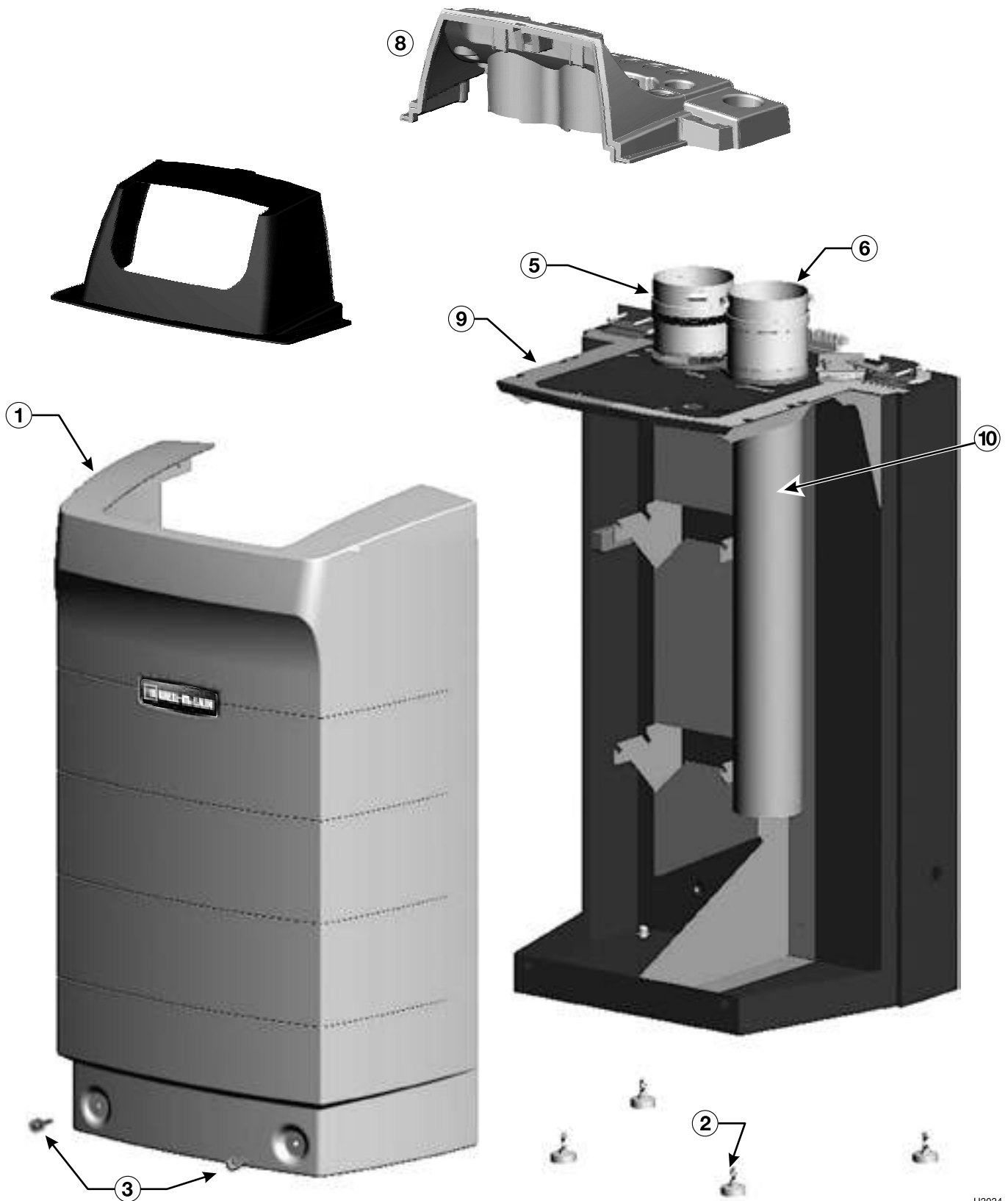


Fig. No.	Part No.	Description	Model
N/S	511-405-113	Boiler Circulator, Without Flanges	80/105
	511-405-133	Boiler Circulator, Without Flanges	155/230/310
	511-405-140	Boiler Circulator, Without Flanges	399
	381-354-525	Circulator Hardware Kit – Inlet, 1" (Includes: 1 Flange, 2 Nuts, 2 Screws and 1 Gasket)	80 - 230
	381-354-526	Circulator Hardware Kit (Includes: Flange, Nuts, Screws and Gasket) 1¼"	80 - 310
	381-354-531	Circulator Hardware Kit (Includes: Flange, Nuts, Screws and Gasket) 1½"	310
	383-500-350	Concentric Vent Kit	80 - 155
	383-500-631	Condensate Neutralizer Kit	All
	591-706-200	Heat Exchanger Cleaning Tool	All
	383-500-605	Maintenance Kit (Includes: Igniter, Igniter Gasket, Cover Plate Gasket, Cover Plate Insulation, Burner Gasket and Venturi Gasket)	80/105
	383-500-620	Maintenance Kit (Includes: Igniter, Igniter Gasket, Cover Plate Gasket, Cover Plate Insulation, Burner Gasket and Venturi Gasket)	155 - 399
	560-340-598	Cover Plate Studs - M6	All
	561-928-449	Cover Plate Nut With Washer - M6-18MM	All
	383-500-095	Pressure Relief Valve, ASME 30 PSI, ¾" N.P.T Male	80 - 310
	383-600-091	Pressure Relief Valve, ASME 30 PSI, ¾" N.P.T Male	399
1	383-500-100	Vent/Air Termination Plate (2 Required For Each Boiler)	All
2	383-500-105	Vent Termination Bird Screen (2 Required) 3" Vent	80/105/155
	383-500-110	Vent Termination Bird Screen (2 Required) 4" Vent	230/310
3	383-500-397	WM - PVC Sidewall Vent Termination Kit 3"	80 - 155
	383-500-398	WM - PVC Sidewall Vent Termination Kit 4"	230 - 310
N/S	592-900-002	Corrosion Inhibitor, 1 Tube	All
	592-900-005	Inhibitor Test Kit, 2 Tests	All
	592-900-003	Boiler System Cleaner/Sludge Remover	All
	592-900-006	Aluminum-Safe Anti-Freeze, 5 Gal.	All
	383-500-765	Ultra 80/105 Easy Up Manifold Service Kit - 1 ¼"	80/105
	383-500-766	Ultra 155/399 Easy Up Manifold Service Kit - 1½"	155-399
	389-900-180	Wall Mount Kit - (Includes Brackets, Hardware, and Instructions)	All

# Ultra Series 4 Jacket



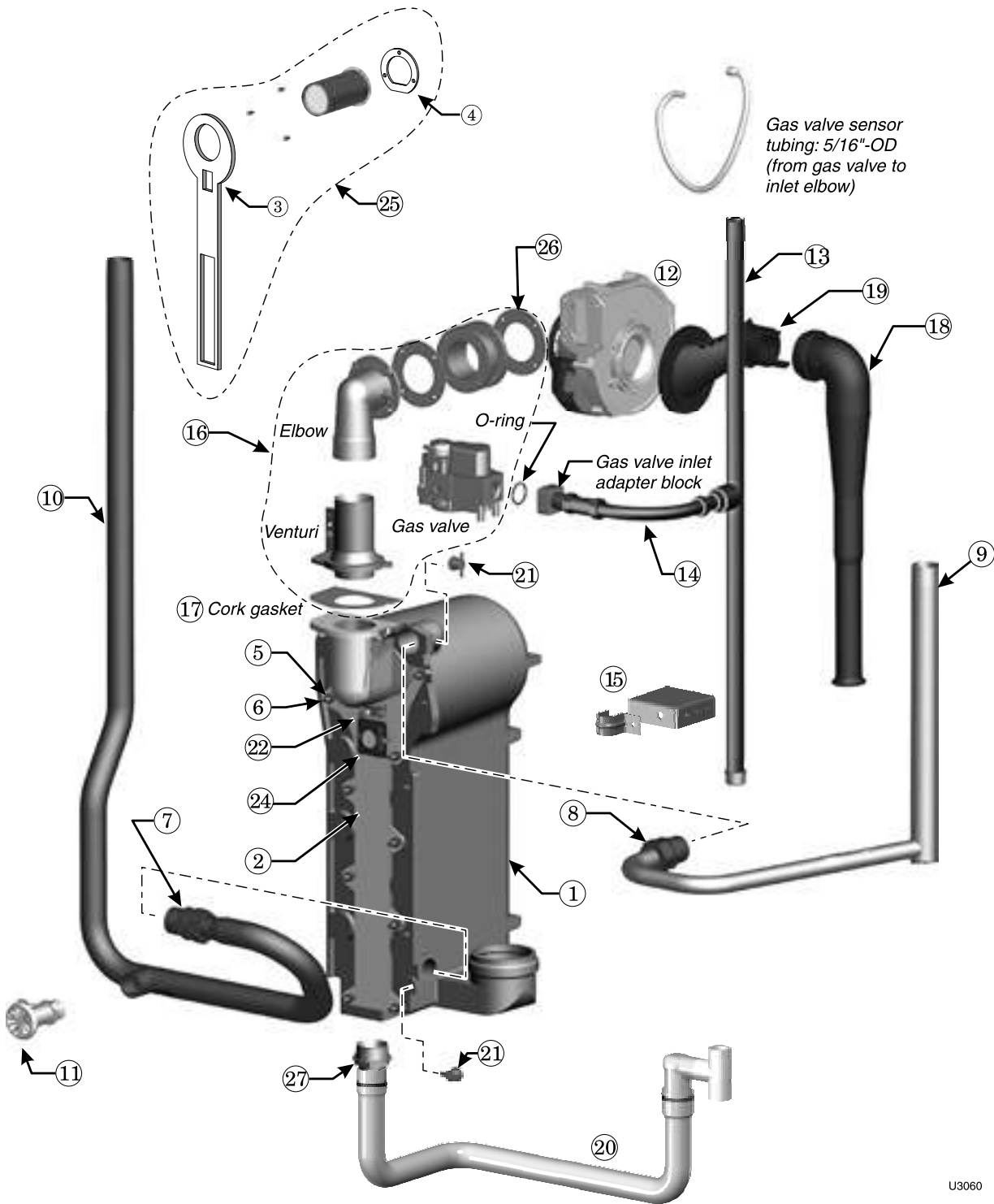
GAS

U3034

## Ultra Series 4 Jacket Parts

Fig. No.	Part No.	Description	Model
1	383-500-135	Jacket Front Door	
2	383-500-065	Boiler Leg Kit (4 Required)	
3	562-650-126	Screw Flat Head Slotted 17 Series For Jacket Front Door (2 Required)	
4	383-500-180	Knurled Heat Screw Clip-On Receptacle (2 Required)	
5	560-907-704	Air Adapter Assembly (Includes: Adapter, Gasket, and Mounting Bracket)	80/105
	560-907-707	Air Adapter Assembly (Includes: Adapter, Gasket, and Mounting Bracket)	155
	560-907-710	Air Adapter Assembly (Includes: Adapter, Gasket, and Mounting Bracket)	230-399
6/10	560-907-771	Flue Outlet Adapter - 3"	80/105 155
	560-907-773	Flue Outlet Adapter - 4"	230-399
7	383-500-607	Top Cover, Front	
8	383-500-608	Top Cover, Rear	80 to 230
	383-500-609	Top Cover, Rear	310/299/ 399
9	383-500-610	Door Gasket Replacement Kit	All
	560-907-775	Flue Pipe - 3"	80-105
	460-005-796	Bracket	
	562-500-001	Clamp	
	560-907-772	Flue Pipe - 3"	155
	460-005-797	Bracket	
	562-500-002	Clamp	
	560-907-774	Flue Pipe - 4"	230-399
	460-005-798	Bracket	
562-500-003	Clamp		
N/S	592-002-033	Touch Up Paint - Black - Low E 4.5oz Can	All
	592-800-022	3" Flue/Intake Gasket	80/105/155
	592-800-023	4" Flue/Intake Gasket	230/299/ 310/399
	590-318-007	70mm Lower Flue-Way Gasket	80/105
	590-318-003	80mm Lower Flue-Way Gasket	155
	590-318-004	100mm Lower Flue-Way Gasket	230/299/ 310/399

# Ultra Series 4 - (Ultra-80/105) Heat Exchanger / Piping



U3060

Fig. No.	Part No.	Description	Boiler Models
1	383-500-670	Heat Exchanger Replacement Kit - (Includes: Heat Exchanger, Cover Plate, Burner, Electrode, Water Sensors, Compression Fittings, Condensate Fitting, Gaskets, and Hardware)	80NG
	383-500-671		80LP
	383-500-672		105

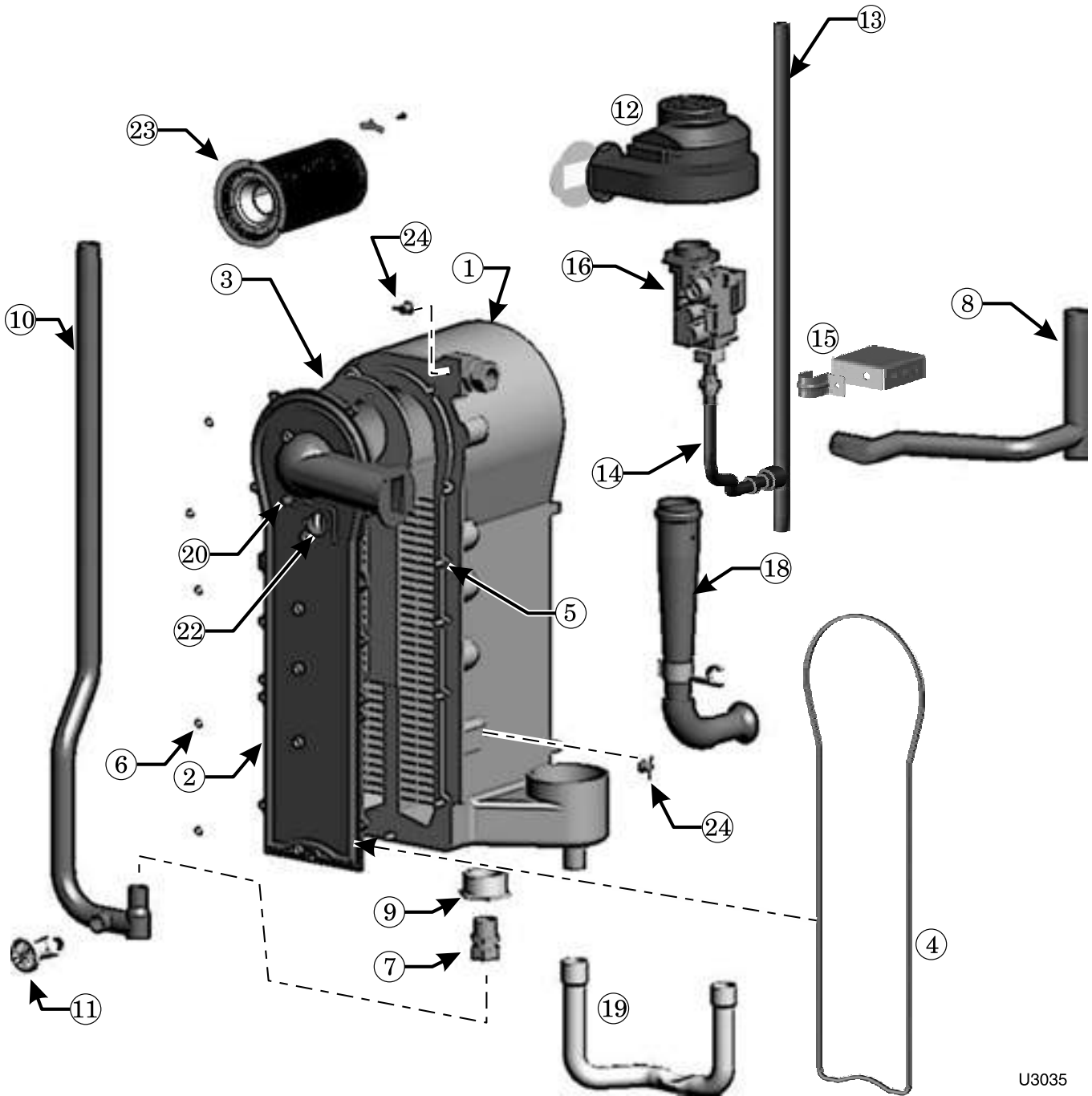
GAS



## Ultra Series 4 - (Ultra-80/105) Heat Exchanger / Piping Parts

Fig. No.	Part No.	Description	Boiler Models
2	383-501-022	Cover Plate Replacement Kit - (Includes: Cover Plate, Cover Plate Gasket, Burner Gasket, and Hardware)	80/105
3	591-200-000	Cover Plate Gasket/Insulation	80/105
4	590-300-000	Burner Gasket	80/105
5	560-340-598	Cover Plate Studs, M6, 1 Pitch	All
6	561-928-449	Cover Plate Nuts, M6, 1 Pitch	All
7	383-500-260	Water Compression Fitting, 28 mm	80/105
8	564-100-002	Water Compression Fitting, 22 mm	80/105
9	383-501-036	Supply Water Pipe Assembly - (Includes: Pipe, Temperature Well, Check Valve, Cap, Compression Fittings and Plugs)	80/105
N/S	383-500-615	Supply Water Lower Pipe Clamp and Hardware	80/105
10	383-501-037	Return Water Pipe Assembly - (Includes: Pipe, Drain Valve, Cap (Assembled) and Compression Fitting)	80/105
11	511-246-392	Boiler Drain Valve, 3/4" N.P.T.	All
12	383-501-027	Blower Assembly Kit - (Includes: Blower, Gasket, and Hardware)	80/105
13	560-907-682	Gas Pipe	80/105
14	383-500-616	Flexible Gas Line Section	80/105
15	383-500-617	Gas Pipe Lower Pipe Clamp And Hardware	80/105
N/S	563-910-031	Gas Valve Block (Includes Block, O-ring, and Screws)	All
16	383-501-029	Gas Valve/Venturi Kit - (Includes: Gas Valve, Venturi, 90° Elbow, Gaskets, and Hardware (Assembled)) (For LP boilers, Make Sure to Reinstall The Existing Propane Orifice)	80
	383-501-030		105
17	590-317-310	Gasket Cork (For In Between Gas Valve Venturi and Burner Inlet)	All
18	383-501-026	Air Silencer Kit - Air Silencer and Gasket	80/105
19	383-501-025	Air Silencer Adapter Kit - Air Silencer Adapter and Hardware	80/105
20	383-501-031	Condensate Trap Kit - Condensate Trap, Hose Clamps, PVC Fittings and Gasket	80/105
21	383-500-602	Return/Supply Sensor Kit - (1) Sensor	All
22	383-500-045	Ignition Electrode Kit - Ignition Electrode, Suppressor, Gasket and Hardware	All
N/S	511-330-253	Ignition Electrode Gasket ONLY	All
	383-500-619	Ignition Cable Kit - Ignition Cable, Suppressor and Wire Tie	All
24	383-500-020	Inspection Glass Kit - Bracket, Glass, Gasket and Hardware	All
25	383-501-032	Burner Replacement Kit - Burner, Gaskets and Hardware	80NG
	383-501-033		80LP
	383-501-034		105
N/S	383-900-090	Burner Insert Repair Kit (Includes Drill, Tap, Inserts, Screws, Instructions)	All
26	590-300-003	Gasket Rubber, Blower	80/105
27	561-200-000	Condensate Fitting	80/105
N/S	383-600-009	Gas Valve "O" ring, Includes 10 "O" Rings	All
	590-317-310	Cork Gasket (Goes Between Gas Valve and Blower)	All
	590-300-001	Silicone Tube - From Gas Valve To 90° Elbow	80/105

## Ultra Series 4 - (Ultra-155 / 230) Heat Exchanger / Piping Parts



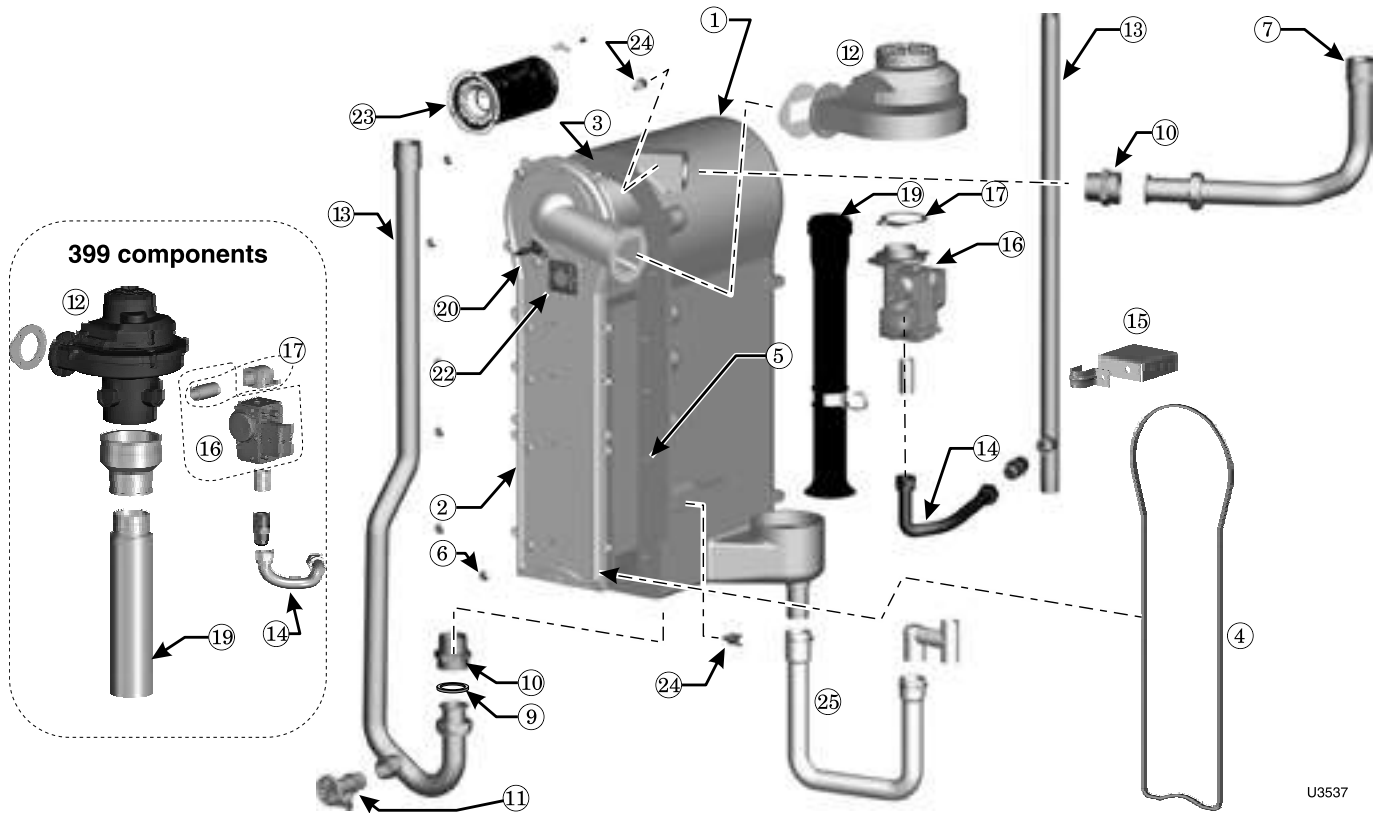
U3035

Fig. No.	Part No.	Description	Boiler Model
1	383-500-673	Heat Exchanger Replacement Kit - (Includes: Heat Exchanger, Cover Plate, Burner, Electrode, Water Sensors, Compression Fittings, Condensate Fitting, Gaskets and Hardware)	155
	383-500-674		230
2	383-500-395	Cover Plate Replacement Kit - (Includes: Cover Plate, Cover Plate Gasket, Burner Gasket and Hardware)	155/230

## Ultra Series 4 - (Ultra-155 / 230) Heat Exchanger / Piping Parts

Fig. No.	Part No.	Description	Boiler Model
3	383-500-250	Cover Plate Insulation/Burner Gasket	155/230
4	383-500-255	Cover Plate Gasket	155/230
5	560-340-598	Cover Plate Studs, M6, 1 Pitch	All
6	561-928-449	Cover Plate Nuts, M6, 1 Pitch	All
7	383-500-260	Water Compression Fitting, 28 mm	155/230
8	383-500-762	Supply Water Pipe Assembly - Includes (Pipe, Temperature Well, Check Valve, Cap Compression Fitting, and Plugs)	155/230
9	383-500-280	Return Water Bushing, 1¼" BSP x 1" BSP (Not Used On Ultra-310)	155/230
10	383-500-763	Return Water Pipe Assembly - (Includes: Pipe, Drain Valve, Cap (Assembled) and Compression Fitting)	155/230
11	511-246-392	Boiler Drain Valve, ¾" N.P.T.	All
12	383-500-035	Blower Assembly Kit (Includes: Blower, Gasket and Hardware)	155
	383-500-040		230
13	560-907-683	Gas Pipe	155/230
14	383-500-624	Flexible Gas Line	155/230
N/S	563-910-031	Gas Valve Block, (Includes Block, O-ring, and Screws)	
15	383-500-617	Gas Pipe Lower Clamp and Hardware	155/230
16	383-500-025	Gas Valve/Venturi Kit (Includes: Gas valve, Venturi, (Make Sure to Reinstall The Existing Propane Orifice)	155
	383-500-030		230
18	383-500-295	Air Silencer Kit (Includes: Air Silencer and Gasket)	155/230
19	383-500-060	Condensate Trap Kit (Includes: Condensate Trap, Hose Clamps, PVC Fittings and Gasket)	155/230
20	383-500-045	Ignition Electrode Kit (Includes: Ignition Electrode, Suppressor, Gasket and Hardware)	All
N/S	511-330-253	Ignition Electrode Gasket ONLY	All
	383-500-619	Ignition Cable Kit (Includes: Ignition Cable, Suppressor and Wire Tie)	All
22	383-500-020	Inspection Glass Kit (Includes: Bracket, Glass, Gasket and Hardware)	All
23	383-500-085	Burner Replacement Kit (Includes: Burner, Gaskets and Hardware)	155
	383-500-090		230
N/S	383-900-090	Burner Insert Repair Kit (Includes Drill, Tap, Insert, Screws, Instructions)	155/230
	383-500-660	Burner Screw/Tab Kit (Includes: 3 Burner Screws and 3 Tabs)	All
24	383-500-602	Return/Supply Sensor Kit - (1) Sensor	All
N/S	383-600-009	Gas Valve "O" Ring (Includes (10) "O" Rings)	All
	590-318-006	Rubber Gasket For Inducer Discharge To Heat Exchanger	All
	590-317-310	Cork Gasket (Goes Between Gas Valve Venture and Blower)	All
	590-318-006	Gasket Blower (Rubber) Discharge Gasket	All

## Ultra Series 4 - (Ultra-299 / 310 / 399) Heat Exchanger / Piping Parts



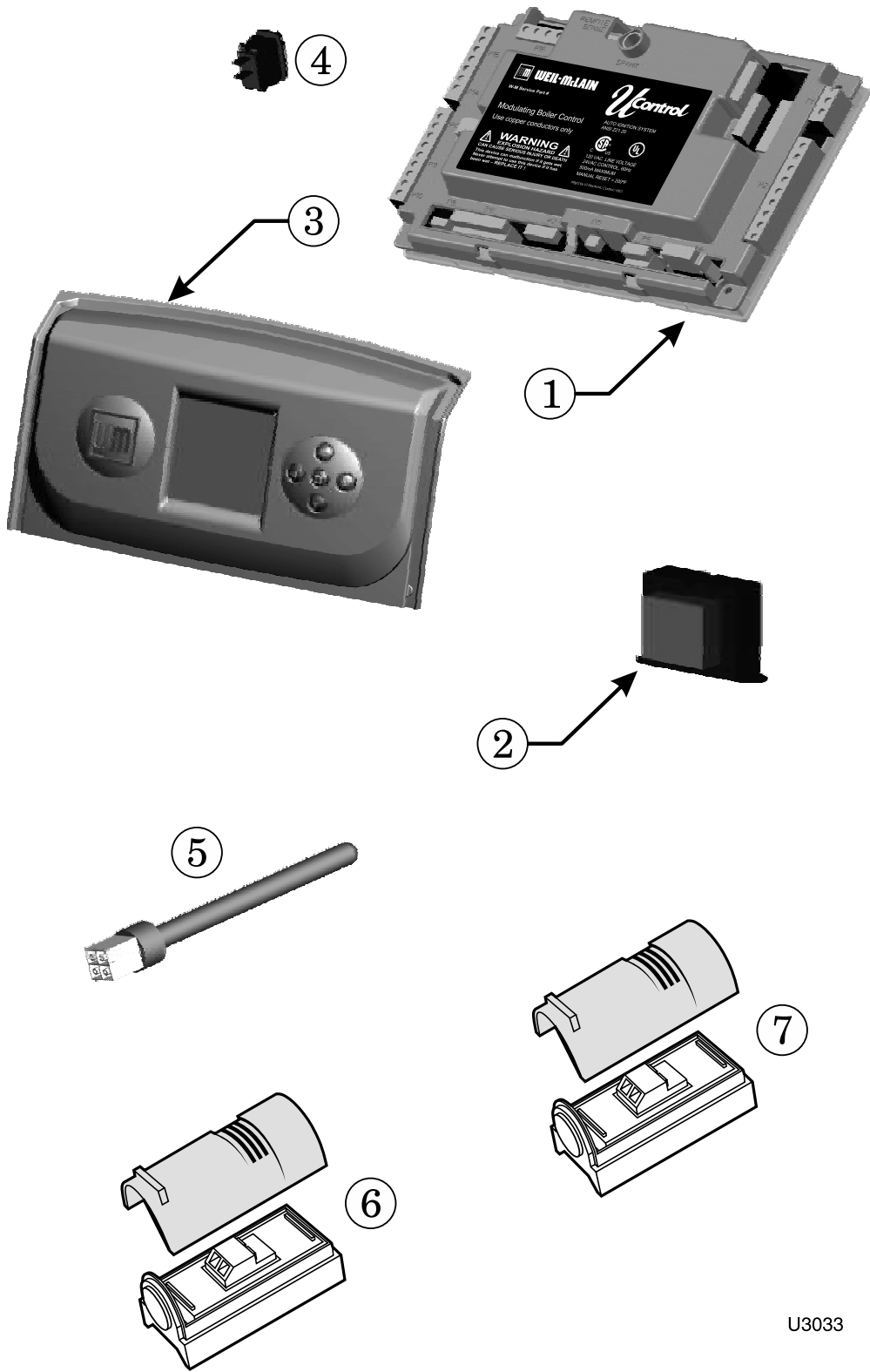
U3537

Fig. No.	Part No.	Description	Boiler Model
1	383-500-675	Heat Exchanger Replacement Kit (Includes: Heat Exchanger, Cover Plate, Burner, Electrode, Water Sensors, Compression Fittings, Condensate Fitting, Gaskets and Hardware)	299/399
2	383-500-395	Cover Plate Replacement Kit (Includes: Cover Plate, Cover Plate Gasket, Burner Gasket and Hardware)	299/399
3	383-500-250	Cover Plate Insulation/Burner Gasket	299/399
4	383-500-255	Cover Plate Gasket	299/399
5	560-340-598	Cover Plate Studs, M6, 1 Pitch	All
6	561-928-449	Cover Plate Nuts, M6, 1 Pitch	All
7	383-500-764	Supply Water Pipe Assembly - Includes ( Pipe, Temperature Well, Check Valve, Cap, and Compression Fitting	299-399

## Ultra Series 4 - (Ultra-299 / 310 / 399) Heat Exchanger / Piping Parts

Fig. No.	Part No.	Description	Boiler Model
8	383-500-385	Return Water Pipe Assembly (Includes: Pipe, Drain Valve, Cap (Assembled) and Compression Fitting)	299/399
9	562-248-755	Supply/Return Water Piping Square Cut Garlock Gasket	299-399
10	561-326-828	Fitting, Double Nipple For Supply/Return	299-399
11	511-246-392	Boiler Drain Valve, 3/4" N.P.T	All
12	383-500-360	Blower Assembly Kit (Includes: Blower, Gasket, and Hardware)	299/310
	383-500-650		399
13	560-907-679	Gas Pipe	299-399
14	383-500-768	Flexible Gas Line	299-399
15	383-500-625	Gas Pipe Lower Clamp and Hardware	299/310
16	383-500-390	Gas Valve/Venturi Kit - (Includes: Gas valve, Venturi, (For 310LP Boilers, Make Sure To Reinstall The Existing Propane Orifice)	299
	383-500-652	Gas Valve Kit (Includes: Gas Valve, Venturi and Burner Inlet)	399
17	383-500-651	Gas Valve Outlet Adapter/Nipple Kit	399
18	590-317-310	Gasket Cork (For In Between Gas Valve Venturi and Blower Inlet)	299/310
19	383-500-355	Air Silencer Kit (Includes: Air Silencer and Gasket)	299/310
	383-500-654		399
20	383-500-045	Ignition Electrode Kit (Includes: Ignition Electrode, Suppressor, Gasket and Hardware)	All
	511-330-253	Ignition Electrode Gasket Only	All
N/S	383-500-619	Ignition Cable Kit (Includes: Ignition Cable, Suppressor and Wire Tie)	All
22	383-500-020	Inspection Glass Kit (Includes: Bracket, Glass, Gasket and Hardware)	All
23	383-500-407	Burner Replacement Kit (Includes: Burner, Gaskets and Hardware)	299-399
N/S	383-900-090	Burner Insert Repair Kit (Includes Drill, Tap, Insert, Screws, Instructions)	299-399
	383-500-660	Burner Screw/Tab Kit (Includes: 3 Burner Screws and 3 Tabs)	All
24	383-500-602	Return/Supply Sensor Kit - (1) Sensor	All
25	383-500-626	Condensate Trap Kit - (Includes: Condensate Trap, Hose Clamps, PVC Fittings and Gasket)	299-399
N/S	383-600-009	Gas Valve O-Rings (10 Per Bag)	All
	563-910-031	Gas Valve Block - (Includes Block, O-ring, and Screws)	

# Ultra Series 4 Electrical / Controls



GAS

U3033

## Ultra Series 4 Electrical / Control Parts

Fig. No.	Part No.	Description
1	383-500-658	Ultra U-Control Module
2	383-500-628	Transformer, 120v/24v - 50VA
3	383-500-756	Display Board Assembly (Includes: Plastic and Display Screen)
4	383-500-205	On/Off Power Switch
5	383-500-600	Flue Temperature Sensor Replacement Kit - (Includes Sensor and Grommet)
N/S	590-318-011	Flue Temperature Sensor Grommet
6	383-500-601	System Temperature Sensors (2 Required)
7	510-312-218	Outdoor Temperature Sensor
	383-500-638	120 Volt, 3-Wire Receptacle
	383-500-603	Ultra U-Control Module Fuses F - 3-Amp, Fast-Blow ATO (5 Fuses)
	383-500-604	Ultra U-Control Module Fuses F - 12-Amp, Fast-Blow AG (5 Fuses)
	383-500-641	Jumper For Low Voltage Terminal Blocks, (5 Jumpers)
N/S	383-500-642	Ultra U-Control Terminal Block Kit, (Includes: 1 High Voltage Terminal Block, 6 Low Voltage Terminal Blocks and Screwdriver)
	383-500-640	Low Voltage Wire Harness
	383-500-633	Display To U-Control Wire Harness
	383-500-639	Line Voltage Wire Harness
	511-100-005	24-V LWCO Kit with Quick Connect Harness

## Ultra Series 4 Natural to Propane Conversion



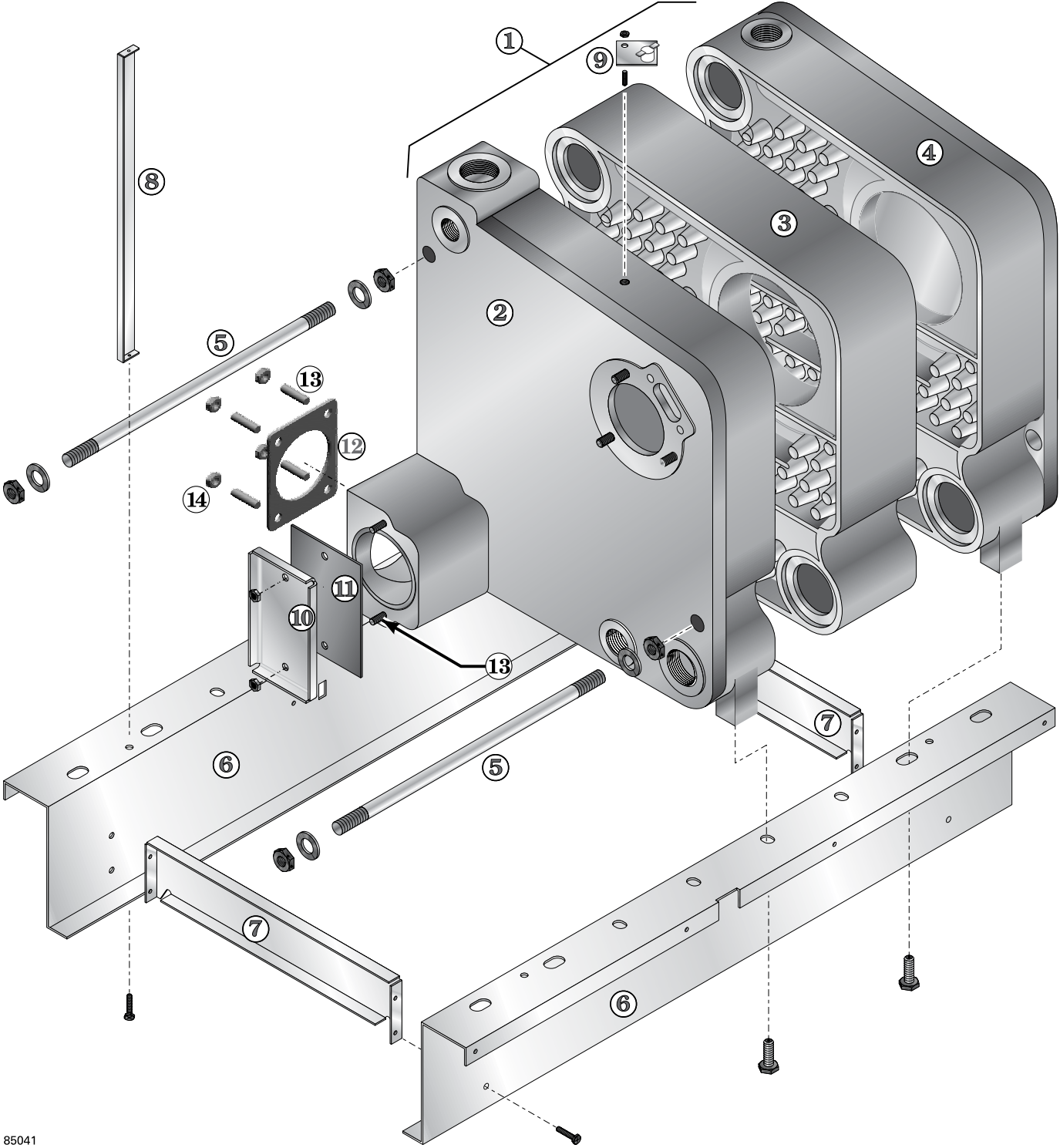
<b>Sea Level to 5500 Feet Altitude</b>			
Fig No	Model	Description	Part Number
1	80	LP Orifice, LP Burner, Instructions, Conversion Label. Order Separately if Converting Natural Gas Boiler.	383-501-020
2	105	LP Orifice, Instructions and Conversion Label. Provided with Boiler	540-100-001
	155		383-500-115
	230		383-500-120
	299		540-202-832
	310		540-202-833
N/S	399	LP Orifice Not Provided. Adjustment Made with Throttle Screw. See Boiler Manual	NA
<b>Above 5500 Feet Altitude</b>			
1	80	LP HA (High Altitude) Orifice. Requires Nat to LP Conversion From Above To Replace Natural Burner With LP Burner.	383-500-644
2	105	LP Orifice, Instructions and Conversion Label	383-500-645
	155		383-500-646
	230		383-500-647
	299		383-500-394
	310		383-500-648
N/S	399	LP Orifice Not Provided. Adjustment Made With Throttle Screw. See Boiler Manual.	NA
<b>Ultra Series 4 - Propane To Natural Conversion</b>			
<b>Sea Level to 5500 Feet Altitude</b>			
N/S	80	Natural Gas Burner, Instructions, Conversion Label. Order Separately if Converting LP Gas Boiler.	383-501-021



## Ultra Series 4 Miscellaneous Parts And Kits

Part No.	Description	Model
511-405-113	Boiler Circulator, Without Flanges	80/105
511-405-133	Boiler Circulator, Without Flanges	155/230/310
511-405-140	Boiler Circulator, Without Flanges	399
381-354-525	Circulator Hardware Kit – Inlet, 1" (Includes: 1 Flange, 2 Nuts, 2 Screws and 1 Gasket)	80 - 230
381-354-526	Circulator Hardware Kit (Includes: Flange, Nuts, Screws and Gasket) 1¼"	80 - 310
381-354-531	Circulator Hardware Kit (Includes: Flange, Nuts, Screws and Gasket) 1½"	310
383-500-350	Concentric Vent Kit - 3" ONLY	80 - 155
383-500-631	Condensate Neutralizer Kit	All
591-706-200	Heat Exchanger Cleaning Tool	All
383-500-605	Maintenance Kit (Includes: Igniter, Igniter Gasket, Cover Plate Gasket, Cover Plate Insulation, Burner Gasket and Venturi Gasket)	80/105
383-500-620	Maintenance Kit (Includes: Igniter, Igniter Gasket, Cover Plate Gasket, Cover Plate Insulation, Burner Gasket and Venturi Gasket)	155 - 399
383-500-095	Pressure Relief Valve, ASME 30 PSI, ¾" N.P.T Male	80 - 310
511-546-921	Pressure Relief Valve, ASME 30 PSI, ¾" N.P.T Male	399
383-500-100	Vent/Air Termination Plate (2 Required For Each Boiler)	All
383-500-105	Vent Termination Bird Screen (2 Required) 3" Vent	80/105/155
383-500-110	Vent Termination Bird Screen (2 Required) 4" Vent	230/310
383-500-397	WM - PVC Sidewall Vent Termination Kit 3"	80 - 155
383-500-398	WM - PVC Sidewall Vent Termination Kit 4"	230 - 310
592-900-002	Corrosion Inhibitor, 1 Tube	All
592-900-005	Inhibitor Test Kit, 2 Tests	All
592-900-003	Boiler System Cleaner/Sludge Remover	All
592-900-006	Aluminum-Safe Anti-Freeze, 5 Gal.	All
592-900-029	Aluminum-Safe Anti-Freeze, 1 Gal.	All
383-500-765	Ultra 80/105 Easy Up Manifold Service Kit - 1 ¼"	80/105
383-500-766	Ultra 155/399 Easy Up Manifold Service Kit - 1½"	155-399
389-900-180	Wall Mount Kit - (Includes Brackets, Hardware, and Instructions)	All

# GV90+ Series 1 & 2 Section Assembly



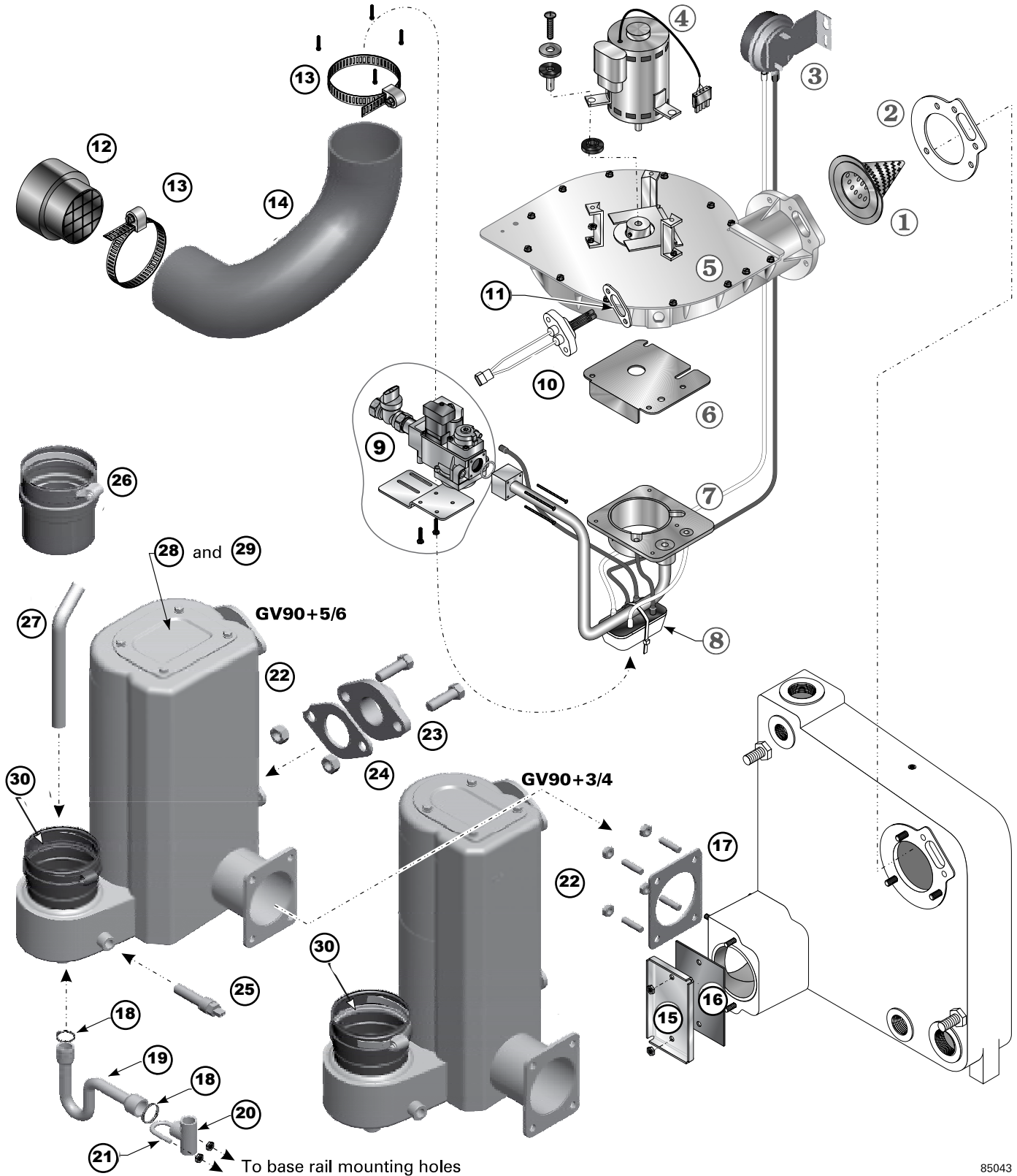
GAS

85041

## GV90+ Series 1 & 2 Section Assembly Parts

Fig. No.	Part No.	Description	Model
1	322-200-304	Block Assembly (Includes: Front Section, Intermediate Section, Back Section, Square Cut Seals — 2", Silicone Sealant, Tie Rods, Tie Rod Nuts, Tie Rod Washers, Blower Flange Gasket, Igniter, Igniter Gasket, Screws, Lock Washers, Studs, Nuts)	3
	322-200-305		4
	322-200-306		5
	322-200-307		6
2	382-200-713	Front Section Replacement Kit (Includes Front Section, Square Cut Seals (4), Silicone Sealant, Blower Flange Gasket, Igniter Gasket, Studs (13), Nuts (13))	All
3	312-200-110	Intermediate Section (Also Required Section Replacement Kit)	All
4	312-200-130	Back section (Also Required Section Replacement Kit)	All
N/S	382-200-305	Section Replacement Kit	All
5	560-234-499	Tie Rods	3
	560-234-525		4
	560-234-503		5
	560-234-504		6
6	452-100-173	Base Rail Legs — (2) Per Boiler	3 & 4
	452-100-174		5 & 6
7	452-100-080	Base Rail Brace — (2) Per Boiler	All
8	452-100-111	Blower Housing Support	All
9	382-200-375	Block Temperature Switch Kit (Includes: Block Switch (350° Open, 250° Close) and Mounting Bracket)	All
10		Inspection Port Cover (in Inspection Port Kit)	All
11	590-317-628	Inspection Port Gasket	All
N/S	542-200-181	Inspection Port Kit (Includes: Cover and Gasket)	All
12	590-317-653	Recuperator Connection Gasket	All
13	560-340-581	Stud, 5/16" -18 x 1¼"	All
14	Obtain locally	Hex Nuts (4 Each), 5/16 / Lock Washers (4 Each), 5/16"	All

# GV90+ Series 1 & 2 Blower Assembly



## GV90+ Series 1 & 2 Blower Assembly Parts

Fig. No.	Part No.	Description	Model
1	382-200-320	Burner Replacement Kit (Includes: Burner, Blower Flange Gasket, Igniter, Igniter Screws, Igniter Washers, Igniter Gasket)	3
	382-200-325		4
	382-200-330		5
	382-200-335		6
2	590-317-610	Blower Flange Gasket	All
3	382-200-723	Air Pressure Switch (0 To 5,500 Feet Elevation)	All
	382-200-728	Air Pressure Switch (5,500 To 10,000 Feet Elevation)	All
4	382-200-345	Blower Motor Replacement Kit (Includes: Blower Motor, Motor Mounting Grommets, Screws, Lock Nuts and 9" Allen Wrench) - (Series-1)	All
	381-356-584	Blower Motor Replacement Kit (Includes: Blower Motor, Motor Mounting Grommets, Screws, Lock Nuts and 9" Allen Wrench) - (Series-2)	All
5	382-200-340	Blower Housing Assembly Replacement Kit (Includes: Blower Housing, Obsv. Port, Blower Housing Cover Plate, Blower Motor Mounting Brackets, Washer Hold Down Bracket, Lock Nuts, Motor Mount Grommets, Blower Motor, Blower Wheel, Magnetic Washer, Silicone Sealant, Screws, Blower Flange Gasket, Igniter, Igniter Washers, Igniter Screws, Igniter Gasket) - (Series-1)	All
	381-356-587	Blower Housing Assembly Replacement Kit (Includes: Blower Housing, Obsv. Port, Blower Housing Cover Plate, Blower Motor Mounting Brackets, Washer Hold Down Bracket, Lock Nuts, Motor Mount Grommets, Blower Motor, Blower Wheel, Magnetic Washer, Silicone Sealant, Screws, Blower Flange Gasket, Igniter, Igniter Washers, Igniter Screws, Igniter Gasket) - (Series 2)	All
6	510-811-926	Conversion Kit, Natural To Propane (Includes: Propane Orifice Plate, Label)	3
	510-811-927		4
	510-811-928		5
	510-811-929		6
	510-811-934	Orifice Plate, Natural Gas	3
	510-811-935		4
	510-811-936		5
	510-811-937		6
7	382-200-362	Gas/air Manifold Assembly (Includes: Gas/Air Manifold, Gas Tubing, Washers, Screws, Gas Valve O-ring)	All
8	382-200-409	Sense Line Condensate Trap (Includes: Sense Line Condensate Trap and Hoses)	All
9	382-200-411	Gas Valve Kit (Includes: Gas Valve, Gas Cock, ½" Nipple, Bracket, O-ring, Screws)	All
10	511-330-148	Igniter Replacement Kit Includes (Igniter and Gasket)	All
11	590-317-599	Igniter Gasket	All
12	382-200-310	Inlet Air Tube With Grill	All
13	591-850-068	Hose Clamp, 3"	All
14	562-302-573	Inlet Air Hose, 3" by 19" Long	All
15	542-200-181	Inspection Port Cover - (Includes Inspection Port Gasket)	All
16	590-317-628	Inspection Port Gasket - <b>ONLY</b>	All

## GV90+ Series 1 & 2 Blower Assembly Parts Continued

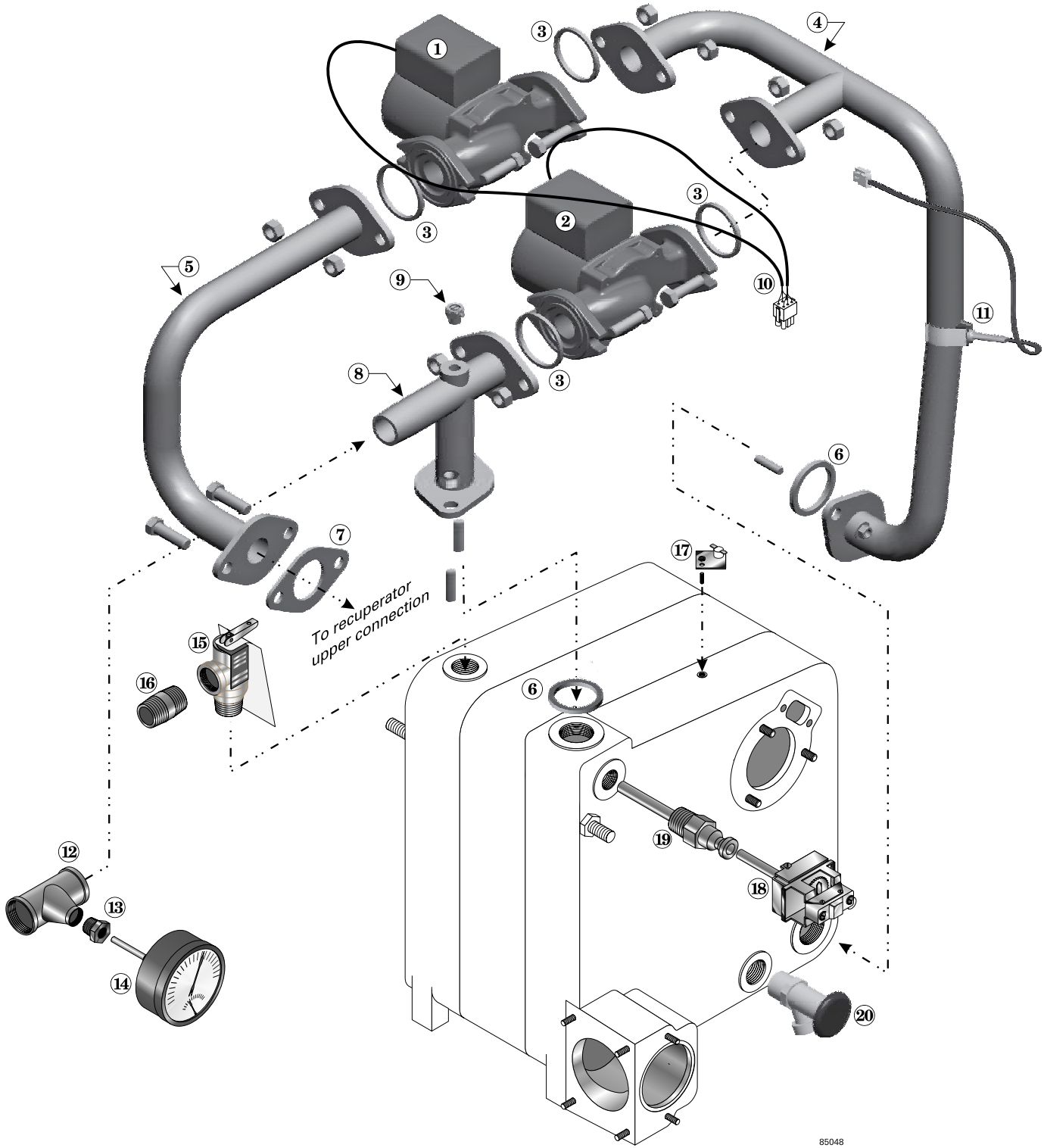
Fig. No.	Part No.	Description	Model
17	590-317-653	Recuperator Connection Gasket	All
19	560-907-716	Condensate Trap	All
20	—	½" PVC Condensate Tee	All
21	561-704-527	Condensate Tee U-clamp	All
22	382-200-714	Recuperator Kit (Includes: Recuperator, Recuperator Connection Gasket, Diamond Flange Gasket (2), Connection Hardware (4-Nuts), Flue Gas Thermal Fuse)	3-4
	382-200-715		5-6
23	See item 24	Diamond Flange, 1" N.P.T	All
24	590-317-535	Diamond Flange Gasket	All
25	511-624-664	Flue Thermal Switch - Normally Closed - ¼" N.P.T. - 175 ° F	All
26	382-200-716	In-line Flue Adapter with Drain Kit (Includes: In-Line Flue Adapter With Drain and Drain Hose (6 Inches))	All
27	382-200-717	Flue Drain Hose Kit, 6 Inches	All
28	593-000-002	Recuperator Cover Plate - (Series 1 <b>ONLY</b> )	3-4
	593-000-003		5-6
29	593-000-004	Recuperator Cover Plate Gasket - (Series 1 <b>ONLY</b> )	3-4
	593-000-005		5-6
30	593-000-006	Recuperator Vent Pipe Seal	All
N/S	592-900-036	Oil Lubricant - Anderol 465 1.7 oz.Tube	All

GAS

## GV90+ Series 1 & 2 Miscellaneous Parts

Part No.	Description	Model
383-500-397	Vent Termination Kit For 3" PVC	All
382-200-430	Vent Termination Kit For 3" Stainless Steel	All
383-500-105	Vent Termination Bird Screen 3" PVC (1 Piece)	All
383-500-350	3" PVC Concentric Vent Kit	All
560-907-717	Adapter 3" AL29-4C Vent Starter, FasNSeal	All
560-907-723	Adapter 3" AL29-4C Vent Starter, Z-Vent	All
560-907-724	Adapter 3" AL29-4C Vent Starter, Saf-T-Vent	All
Contact Weil-McLain	Adapter 3" AL29-4C Vent Starter, CORR/GUARD	All
592-900-002	Corrosion Inhibitor, Sentinel X100 (One Tube is Shipped With Boiler)	All
592-900-005	Sentinel X100 Inhibitor Test Kit (One Kit is Shipped With Boiler)	All
592-900-003	Cleaner, Sentinel X400	All
592-900-004	Antifreeze, Aluminum Safe, Sentinel X400	All
383-500-631	Condensate Neutralizer Kit	All
381-400-010	GV90 Bug Box - (Instructions Included)	All
382-200-728	High Altitude Kit - (Includes Pressure Switch)	All
382-200-435	GV90 Through Roof Stainless Steel Vent Kit	All

# GV90+ Series 1 & 2 Water Trim Assembly



85048



## GV90+ Series 1 & 2 Water Trim Assembly Parts

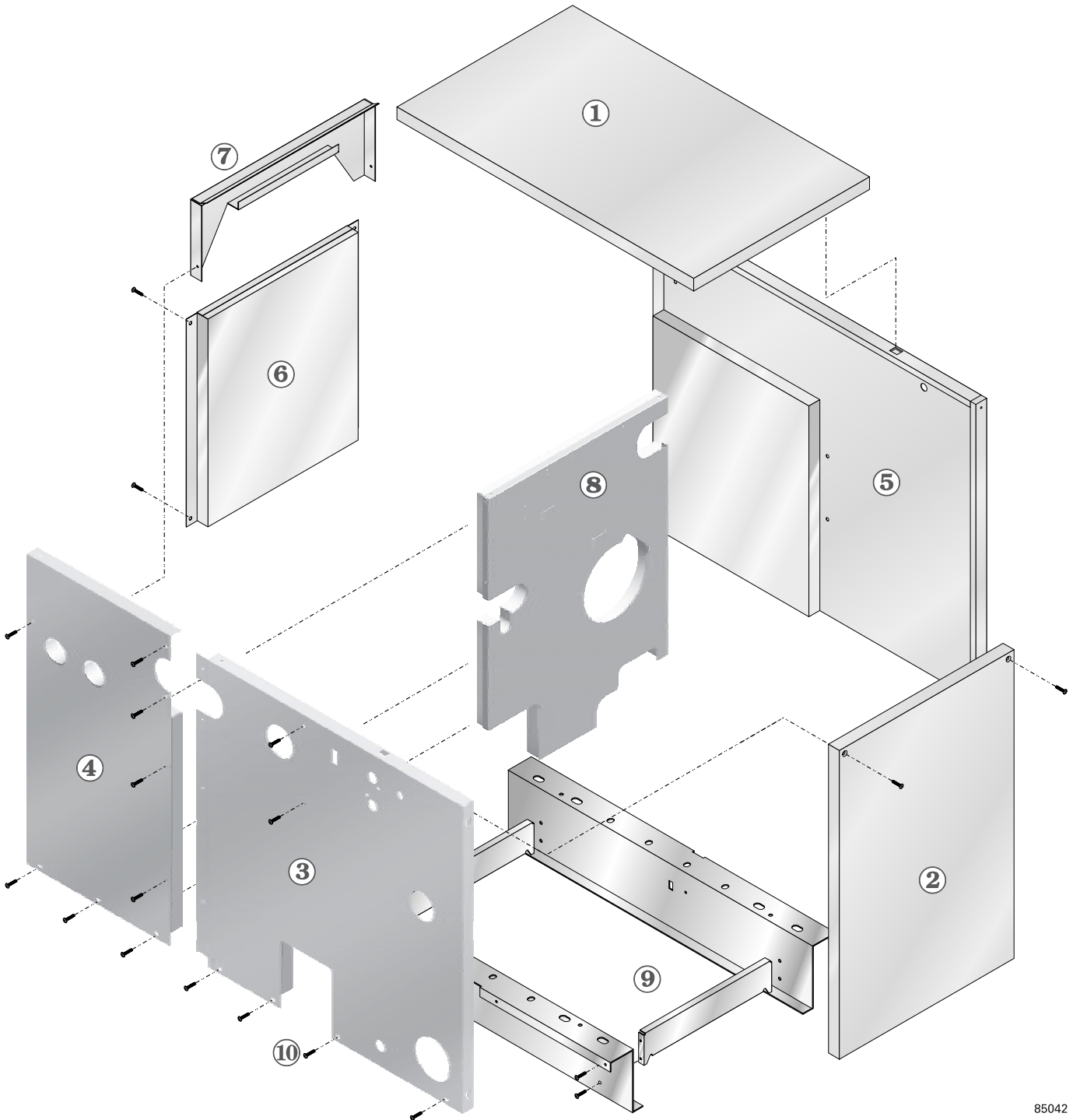
Fig. No.	Part No.	Description
1	511-405-113	System Circulator, Taco 007
2		Bypass Circulator, Taco 007
3	590-317-543	Circulator Gasket, Taco 110-339
4	382-200-720	Manifold, Casting/Circulator Kit (Includes: Water Manifold, Circulator Gasket (Taco 110-339) (2), Square Cut Seal (Manifold To Casting))
5	382-200-721	Return Manifold, Recuperator/Circulator Kit (Includes: Water Manifold, Circulator Gasket (Taco 110-339) (1), Diamond Gasket)
6	572-800-011	Square Cut Seal Gaskets, Casting, 2.31"
7	590-317-535	Diamond Flange Gasket
8	382-200-722	Supply Manifold Kit (Includes: Water Manifold, Circulator Gasket (Taco 110-339) (1), Square Cut Seal (Manifold To Casting))
9	570-148-565	Coin-Operated Air Vent, 1/8" N.P.T - Purchase Locally
10	591-391-824	Wiring Harness, Circulators To IBC
11	511-330-089	Return Water Temperature Sensor and Clip
12	Obtain locally	Tee, 1" x 1" x 3/4"
13	Obtain locally	Bushing 3/4" x 1/4"
14	380-000-000	Combination Pressure-Temperature Gauge, 3" Dia., 0-75 PSIG, 60-320°F, Short Shank, Back Connection, 1/4" N.P.T.
15	383-500-095	30 PSIG Relief Valve - 3/4" Male Inlet
16	Obtain locally	Nipple, N.P.T — 3/4" x 3"
17	382-200-375	Block Temperature Switch Kit (Includes: Block Switch (350° Open, 250° Close) and Mounting Bracket)
18	382-200-719	Limit Control Without Well, 200 °F Maximum Setpoint - (Series 1 <b>ONLY</b> )
19	592-300-017	Limit Control Well, 1/2" N.P.T - (Series 1 <b>ONLY</b> )
N/S	381-356-577	Boiler Temperature Sensor - Tasseron - TSD01BW-R, 1/2" N.P.T, 12K ohms - Series 2 <b>ONLY</b>
20	511-246-392	Drain Valve, 3/4" N.P.T



## GV90+ Series 1 & 2 Control Parts

GV90+ Series 1		
Fig. No.	Part No.	Description
2	382-200-448	Integrated Boiler Control Assembly (Includes: IBC and Screws)
3	511-842-370	Transformer
N/S	591-391-963	Wiring harness, IBC To Junction Box
	591-391-964	Wiring harness, IBC To Controls (Not Shown)
GV90+ Series 2		
Fig. No.	Part No.	Description
N/S	381-330-035	LWCO Function Disable Kit - (Includes Temperature Sensor, Sensor Harness, Label, And Instructions) - <b>CP Range - CP7481990 - CP7538624</b>
2	381-330-025	Integrated Boiler Control - (Includes, Sensor Harness) - <b>Use On Boilers With A CP Range Less Than CP7481990</b>
	381-330-023	Integrated Boiler Control - <b>Use only If 381-330-035 Kit Was Already Installed, And CP Range Is Greater Than CP7538624</b>
3	381-356-578	Transformer - 120/24 Volt, 40 VA
N/S	591-391-984	Wire Harness, Power, J Box To Module
	591-392-005	Thermostat Harness
	591-391-985	Controls To Module Harness With Rectifier Plug
	591-392-035	Temperature Sensor Wire Harness
	591-391-983	Wiring Harness - Blower To Control Module
GV90+ Series 1 & 2 Common Parts		
1	382-200-727	Interior Panel
4	382-200-723	Air Pressure Switch 1.00 " W.C. Less Than 5,500 Feet Elevation
	382-200-728	Air Pressure Switch .70" W.C. Greater Than 5,500 Feet Elevation
N/S	591-391-819	Wiring Harness, Ignitor To Control Harness
	591-391-824	Wiring Harness, Circulators
	383-500-205	On/Off Switch Kit
GV90+ Series 2 Only Control Parts		
N/S	381-356-586	Outdoor Temperature Kit - (Includes Sensor, Wire Harness, and Instructions)
	381-356-585	Zone Interface Harness Kit - (Includes Wire Harness, Cable Clamp, and Instructions)
	383-500-125	Outdoor Sensor Kit - (Includes Sensor and Mounting Hardware) 30/50°C, 12 KOhms.

# GV90+ Series 1 & 2 Jacket Assembly



85042

## GV90+ Series 1 & 2 Jacket Assembly Parts

Fig. No.	Part No.	Description	Model
1	382-200-700	Jacket Panel, Top - (Series 1 <b>ONLY</b> )	3 & 4
	382-200-701		5 & 6
	382-200-735	Jacket Panel, Top - (Series 2 <b>ONLY</b> )	3 & 4
	382-200-736		5 & 6
2	382-200-702	Jacket Panel, Front	All
3	382-200-703	Jacket Panel, Left Side, Front - (Series 1 <b>ONLY</b> )	3 & 4
	382-200-704		5 & 6
	382-200-730	Jacket Panel, Left Side, Front - (Series 2 <b>ONLY</b> )	3
	382-200-731		4
	382-200-732		5
	382-200-733		6
4	382-200-705	Jacket Panel, left side, rear	3 & 4
	382-200-706		5 & 6
5	382-200-724	Jacket Panel, right side	3 & 4
	382-200-725		5 & 6
6	382-200-726	Jacket Panel, rear	All
7	422-200-192	Jacket Brace	All
8	382-200-727	Jacket Panel, interior	All
9		Base Rail Assembly - In Section Assembly Parts	All
10		Screw, Sheet Metal Type AB, Serrated Hex Washer Head Phillips #10 Steel Black Phosphate	All
N/S	592-002-032	Touch Up Paint - Putty - Low E 4.5oz Can	All

## CGt - Series 1 & 2 Section Assembly Parts

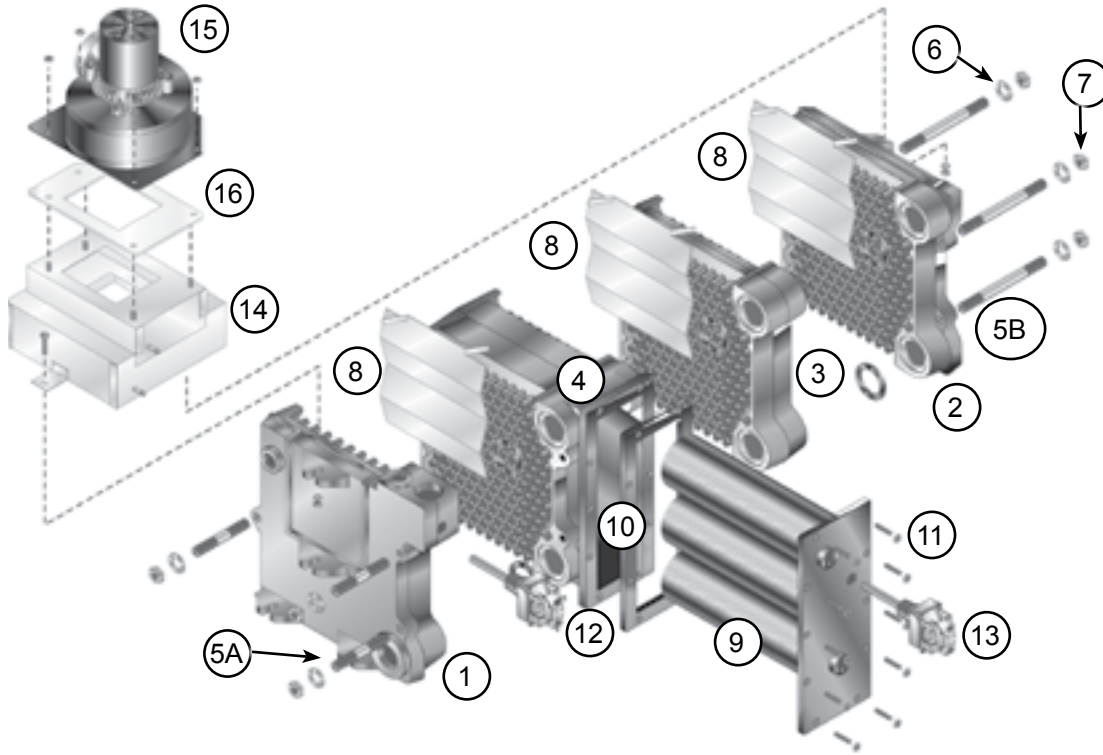


Fig.No.	Part No.	Description
1	311-103-850	End Section, Left Hand, 51124
2	311-103-821	End Section, Right Hand, 51128
3	311-103-818	Intermediate Section, 51125
4	311-103-840	Intermediate Section For Tankless
N/S	321-114-354	Replacement Section Assembly
	381-354-527	Section Replacement Kit
5A	560-234-389	Tie Rod, Without Nut 7/16" x 4.00 (Qty: 3)
5B	560-234-395	Tie Rod, Without Nut 7/16" x 6.50 (Qty: 3)
6	562-248-684	Washer, 7/16" (1 Per Tie Rod)
7	561-928-235	Nut, 7/16" (1 Per Tie Rod)
8	460-003-700	Radiation Plate (1 Per Joint)
9	590-921-920	Tankless Heater - (No Gasket)
10	590-317-584	Gasket, Tankless Heater
11	560-340-577	Stud and Nut Assembly 3/8" x 1 1/8", Qty: 10 Required
12	510-312-250	High Limit, 30° Differential, With Well
13	510-312-152	Tankless Heater Low Limit, 8° Differential With Well
14	450-020-497	Collector Hood and Transition Assembly
15	381-354-587	Inducer Fan Assembly Kit (Includes: Inducer Fan Assembly, Gasket and Nuts)
16	590-317-627	Gasket, Inducer

## CGt - Series 1 & 2 Base Assembly Parts

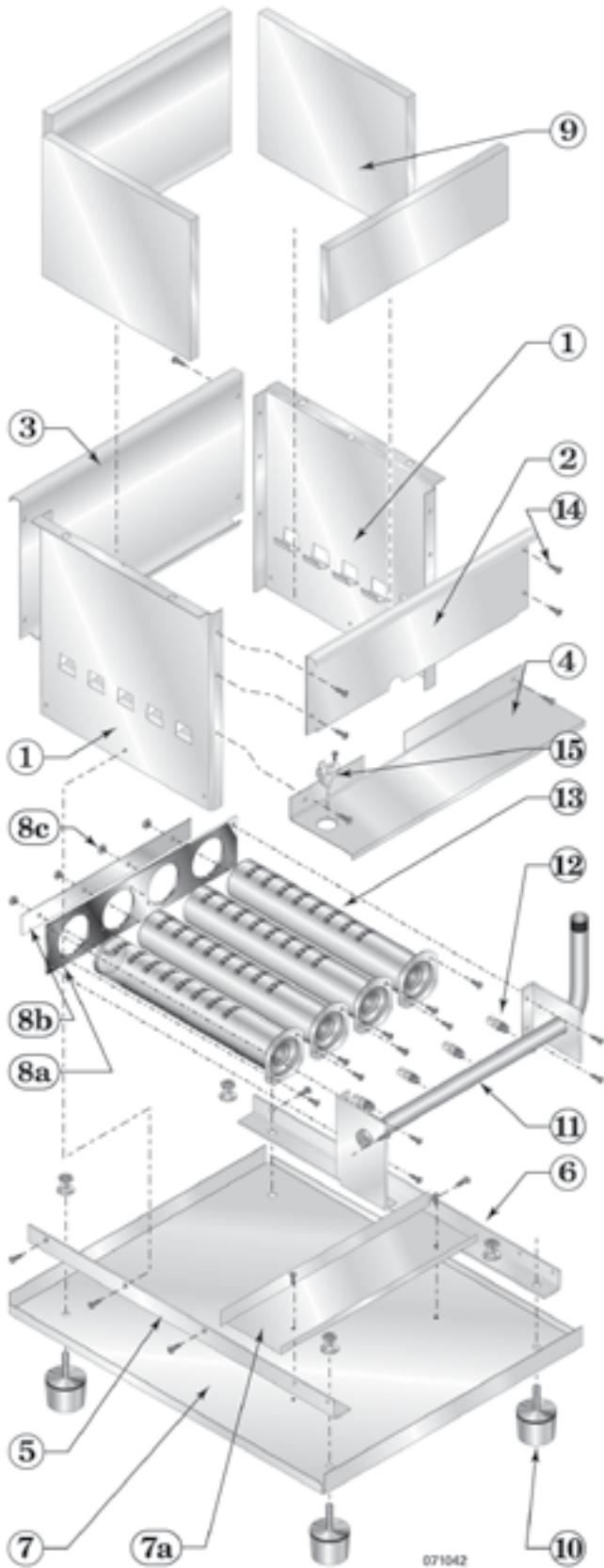


Fig. No.	Part No.	Description
N/S		Base Assembly Kit (Includes: Base Side Panel Items 1 Through 7A Below)
1	381-354-339	Base Side Panel
2		Base Front Cross-Tie Assembly
3		Base Back Cross-Tie Assembly
4		Burner Shield
5		Base Pan Angle, Left Side
6		Base Pan Angle, Right Side
7		Base Pan
7A		Base Pan Air Baffle
8A	450-003-692	Burner Mounting Plate
8B	550-320-162	Rear Spacing Strip
8C	Available Locally	Nut, HEX 5mm ZP
9	381-354-332	Base Insulation Kit
10	550-320-219	Boiler Leg Kit, 4 Required
11	591-126-737	Manifold
12	560-529-077	Main Burner Orifice—Natural gas, 2.7mm
13	512-200-076	Burner - ( CGt-5 Has 4 Burners)
14	Available Locally	Screw, 10-32 x 0.38 STP Type 23 Hex, Washer Hd Slot
15	512-050-230	Rollout Thermal Fuse Element
N/S	560-529-078	LP Orifice, 1.65mm

## CGt - Series 1 & 2 Jacket Assembly Parts

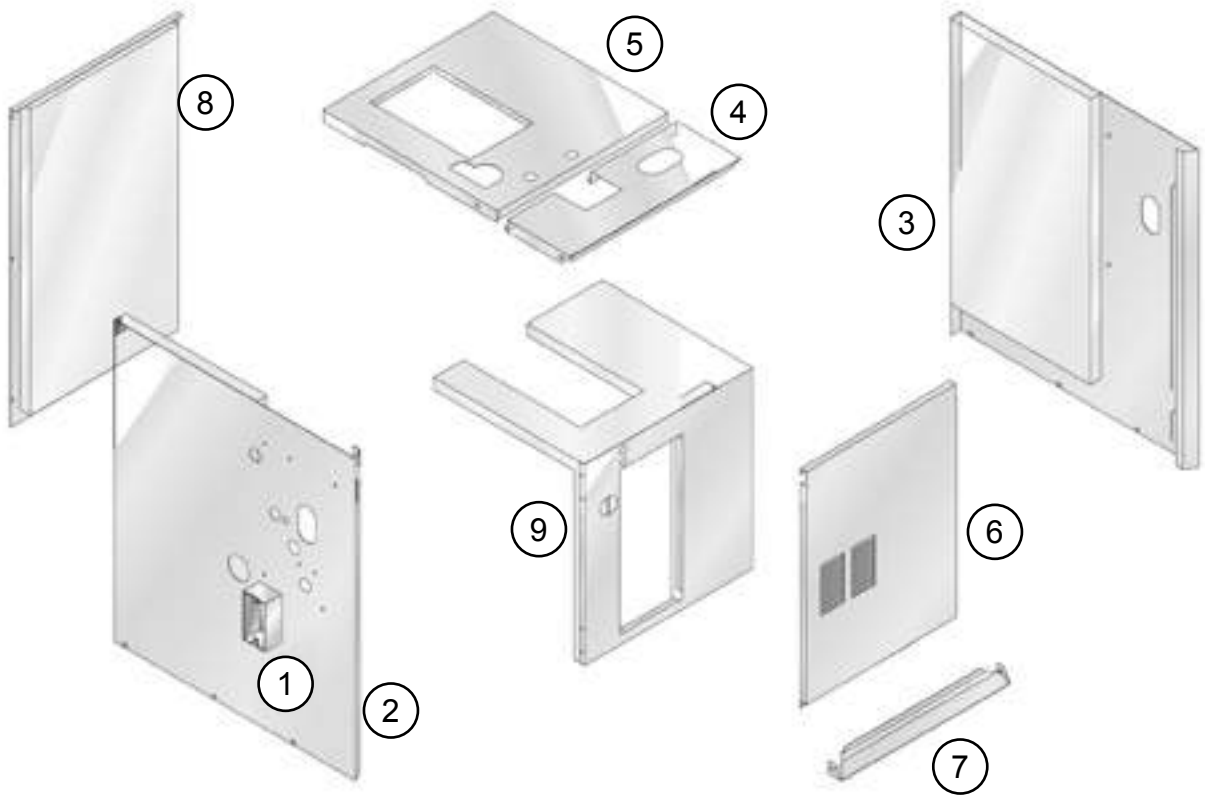


Fig.No.	Part No.	Description
1	Available Locally	Junction Box, 2 x 4 x 1½
2	381-355-741	Jacket Panel, Left Side With Insulation
3	381-355-793	Jacket Panel, Right Side
4	431-223-401	Jacket Panel, Top Front
5	381-355-742	Jacket Panel, Top Rear
6	381-355-744	Jacket Panel, Door
7	431-223-327	Jacket Cross-Tie, Bottom Front
8	431-223-302	Jacket Panel, Rear
9	381-355-743	Kit Service Panel Interior Jacket Intermittent Pilot Natural Gas
N/S	592-002-029	Touch Up Paint - Gold - Low E 4.5oz Can



# CGt - Series 1 & 2 - Water trim Parts

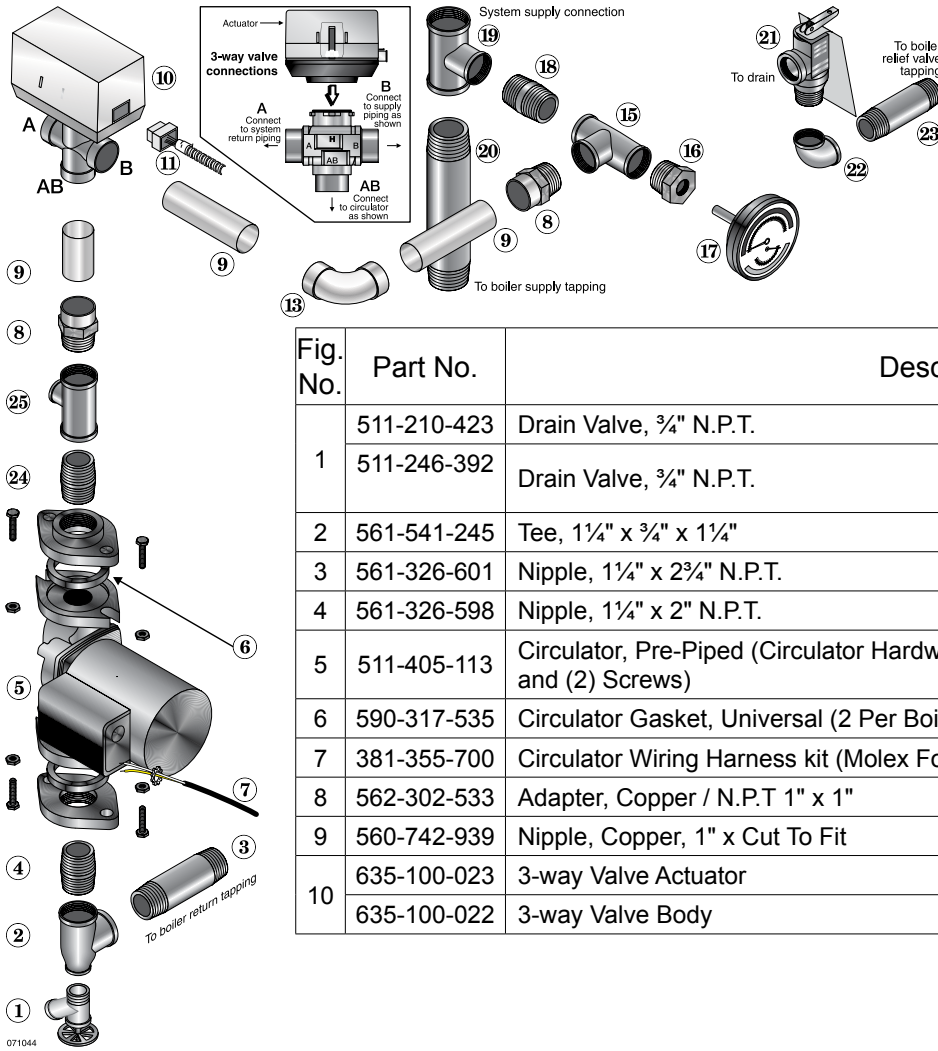


Fig. No.	Part No.	Description
1	511-210-423	Drain Valve, 3/4" N.P.T.
	511-246-392	Drain Valve, 3/4" N.P.T.
2	561-541-245	Tee, 1 1/4" x 3/4" x 1 1/4"
3	561-326-601	Nipple, 1 1/4" x 2 3/4" N.P.T.
4	561-326-598	Nipple, 1 1/4" x 2" N.P.T.
5	511-405-113	Circulator, Pre-Piped (Circulator Hardware Kit Includes: (2) Flanges, (2) Nuts and (2) Screws)
6	590-317-535	Circulator Gasket, Universal (2 Per Boiler)
7	381-355-700	Circulator Wiring Harness kit (Molex For Control End Shipped Loose)
8	562-302-533	Adapter, Copper / N.P.T 1" x 1"
9	560-742-939	Nipple, Copper, 1" x Cut To Fit
10	635-100-023	3-way Valve Actuator
	635-100-022	3-way Valve Body

11	591-391-920	Main Wire Harness Controls To Module - (Boilers With CP's Before CP-5952944)
	591-391-950	Main Wire Harness Controls To Module - (Boilers With CP's After CP-5952944)
13	561-115-303	Elbow, Copper, 1"
15	561-541-212	Tee, 1" x 1" x 1", N.P.T. - Purchase Locally
16	560-807-350	Bushing, 1" x 1/2" N.P.T. - Purchase Locally
17	380-000-000	Combination Pressure-Temperature Gauge Kit, 60°-360°F 0-75 PSI, 3/8" Dia., 1/4" N.P.T., Short Shank With 1/4" x 1/2" Reducing Bushing
18	561-326-500	Nipple, 1" Closing
19	561-541-248	Tee 1 1/4" x 1 1/4" x 1" N.P.T. - Purchase Locally
20	561-326-625	Nipple, 1 1/4" x 6"
21	383-500-095	Pressure Relief Valve, ASME, 30 PSIG, 3/4" Male Inlet (Fittings Shown are Factory-Installed on Boiler)
22	561-115-295	Elbow, 3/4" N.P.T. Pre-Piped
23	561-326-395	Nipple, 3/4" Pre-Piped
24	561-326-500	Nipple, 1" x Close N.P.T.
25	561-541-216	Tee, 1" x 1" x 1/2" N.P.T.
N/S	511-210-458	Domestic Mixing Valve, 3/4" Sweat Connections
	511-246-398	3-way Valve Repair Kit (Includes: New Valve Plunger and Wrench)
	381-356-574	3-way Valve Retrofit Kit (Includes: New Boiler Wiring Harness and Relay) Retrofits CGt Boilers Prior to CP5952944, February 23, 2009.
	563-210-632	Red Male Connector - Circulator Harness - <b>Series 2 Only</b>

## CGt - Series 1 & 2 Gas Control Assembly Parts

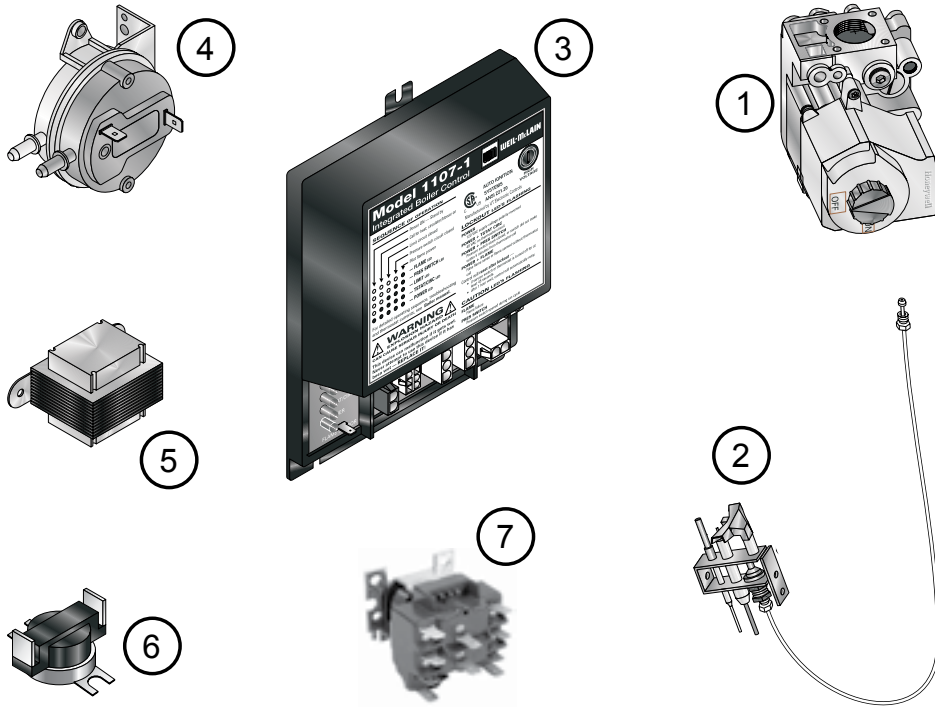


Fig.No.	Part No.	Description
<b>Natural Gas Parts</b>		
1	511-044-381	Gas Valve, ½" x ½"
2	511-330-080	Pilot Assembly With Orifice & Aluminum Pilot Gas Tubing (Pilot Bracket Sold Separate)
<b>LP Gas Parts</b>		
1	511-044-354	Combination Gas Valve, ½" x ½"
2	511-330-081	Pilot Assembly, LP orifice, Tubing, Spark and Sense (Pilot Bracket Sold Separate)
<b>Common Parts</b>		
3	511-330-090	Control Module
4	511-624-542	Air Pressure Switch, 1.53" W.C.
5	511-842-370	24 Volt Step Down Transformer, 40 VA
6	540-130-401	Ambient Temperature Switch (Bracket Not Shown); 135° F, Automatic Reset
7	510-311-019	Control Relay DPDT 24 Volt - (For Units After CP5952944)
N/S	590-317-650	Air Pressure Switch Tubing, Red, .12 ID Silicone, 17"
	590-317-651	Air Pressure Switch Tubing, White, .12 ID Silicone, 19"
	381-356-574	CGt 3-Way Valve Conversion Kit (Includes: Relay, Wire Harness and Instructions) To Convert Unit Prior To CP5952944 To Prevent Heat Migration
	591-391-903	Wiring Harness J-Box To Module
	450-003-689	Pilot Bracket, Used For Both Propane and Natural Gas
	510-811-925	Natural Gas To Propane Conversion Kit - (Includes Gas Valve, Pilot Bracket, Pilot Burner, Orifice, Screws, Labels, and Instructions)

# NOTES

## CGi - Series 2 & 3 Section Assembly Parts

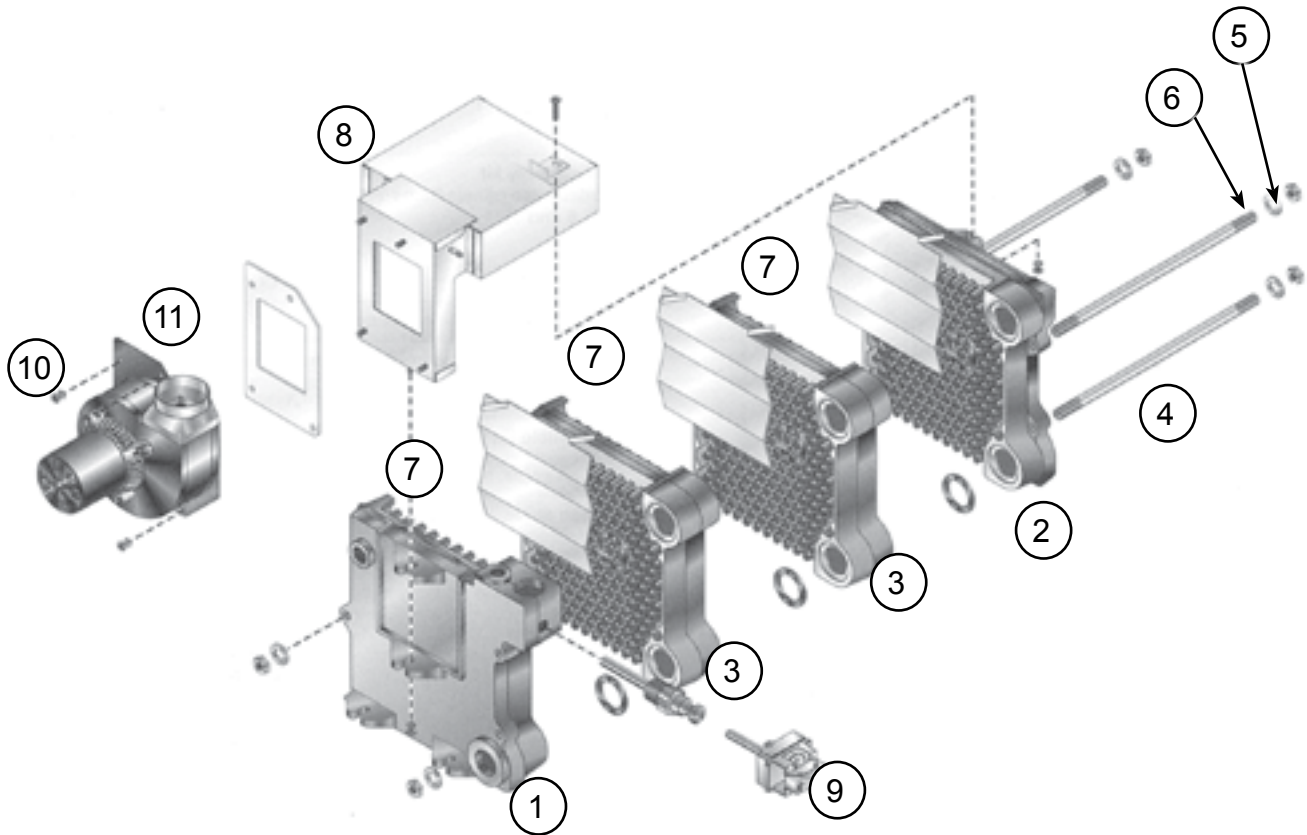


Fig. No.	Part No.	Description	Mfr.	Boiler Size
1	311-103-851	End Section, Left Hand, Cast #51124- <b>Series 2 Only</b>	Weil-McLain	All
	311-103-850	End Section, Left Hand, Cast #51124- <b>Series 3 Only</b>	Weil-McLain	All
2	311-103-821	End Section, Right Hand, Cast #51128	Weil-McLain	All
3	311-103-818	Intermediate Section, Cast #51125	Weil-McLain	All
N/S	321-114-286	Replacement Section Assembly - (Includes Well) <b>Series 2, and 3</b>	Weil-McLain	25, 3
	321-114-287		Weil-McLain	4
	321-114-288		Weil-McLain	5
	321-114-289		Weil-McLain	6
	321-114-290		Weil-McLain	7
	321-114-291		Weil-McLain	8
	381-354-527	Section Replacement Kit (Includes: Seals and Sealant For (1) Joint)	Weil-McLain	All
	383-600-120	Blower Cover	Weil-McLain	All

## CGi - Series 2 & 3 Section Assembly Parts Continued

Fig. No.	Part No.	Description	Boiler Size	
4	560-234-500	Tie Rod, 7/16" x 9" Without Nut (3 Required for Boiler)	25, 3	
	560-234-501	Tie Rod, 7/16" x 12" Without Nut (3 Required for Boiler)	4	
	560-234-502	Tie Rod, 7/16" x 15" Without Nut (3 Required for Boiler)	5	
	560-234-503	Tie Rod, 7/16" x 18" Without Nut (3 Required for Boiler)	6	
	560-234-504	Tie Rod, 7/16" x 21" Without Nut (3 Required for Boiler)	7	
	560-234-505	Tie Rod, 7/16" x 24" Without Nut (3 Required for Boiler)	8	
5	561-928-235	Nut, 7/16" (2 Per Tie Rod)	All	
6	562-248-684	Washer, Lock 7/16" (1 Per Joint)	All	
7	460-003-700	Radiation Plate (1 Per Joint)	All	
8	450-000-010	Collector Hood and Transition Assembly <b>Series 2 Only</b>	25	
	450-000-011		3	
	450-000-012		4	
	450-000-013		5	
	450-00-014		6	
	450-000-015		7	
	450-000-016		8	
	381-354-594		Collector Hood and Transition Assembly <b>Series 3 Only</b>	25
	381-354-595			3
	381-354-596			4
	381-354-597			5
	381-354-598			6
	381-354-599			7
	381-354-600			8
9	510-312-250	High Limit, 30° Differential With Well		All- Series 2
		High Limit, 30° Differential With Well		
	381-356-577	Temperature Sensor, ½ " N.P.T	All -Series 3	
10	381-356-499	Inducer Fan Assembly Kit (Includes: Inducer Fan Assembly, Gasket and Nuts)	Series-2	
	381-354-588	Inducer Fan Assembly Kit - (Includes Gasket and Instructions)	Series 3	
11	590-317-627	Gasket, Inducer	All	

**Number of burners:**

**CGi-25: 2 burners**

**CGi-3: 2 burners**

**CGi-4: 3 burners**

**CGi-5: 4 burners**

**CGi-6: 5 burners**

**CGi-7: 6 burners**

**CGi-8: 7 burners**

## CGi - Series 2 & 3 Base Assembly Parts

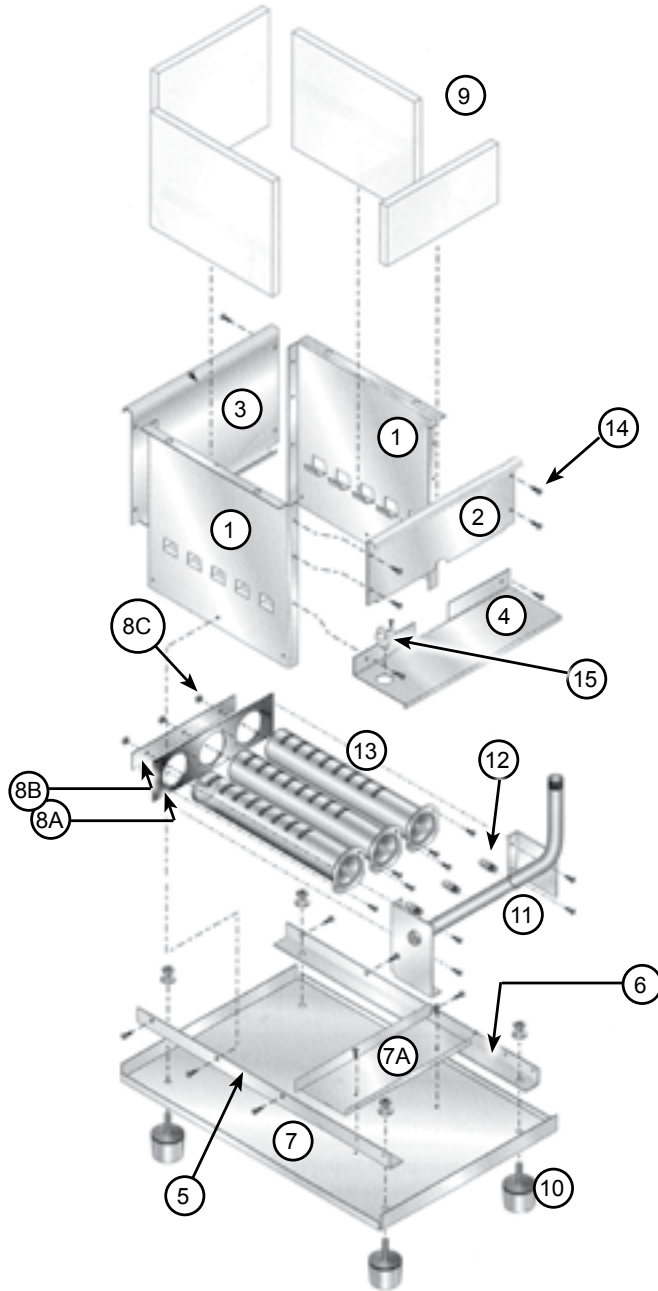


Fig. No.	Part No.	Description	Boiler Size
N/S	381-354-337	Base Assembly Kit (Includes: Base Side Panel, Base Front Cross Tie Assembly, Base Back Cross Tie Assembly, Burner Shield, Base Pan Angle Left And Right Side and Base Pan Baffle)	25, 3
	381-354-338		4
	381-354-339		5
	381-354-340		6
	381-354-341		7
	381-354-342		8
1		Base Side Panel (In Base Assembly Kit)	All
2		Base Front Cross-Tie Assembly (In Base Assembly Kit)	All
3		Base Back Cross-Tie Assembly (In Base Assembly Kit)	All
4		Burner Shield (In Base Assembly Kit)	All
5		Base Pan Angle, Left Side ( In Base Assembly Kit)	All

**CGi - Series 2 & 3  
Base Assembly Parts Continued**

Fig. No.	Part No.	Description	Boiler Size
6		Base Pan Angle, Right Side (In Base Assembly Kit)	All
7		Base Pan (In Base Assembly Kit)	All
7A		Base Pan Air Baffle (In Base Assembly Kit)	All
8A	450-003-690	Burner Mounting Plate	25, 3
	450-003-691		4
	450-003-692		5
	450-003-693		6
	450-003-795		7
	450-003-796		8
8B	550-320-160	Rear Spacing Strip	25, 3
	550-320-161		4
	550-320-162		5
	550-320-163		6
	550-320-164		7
	550-320-165		8
8C	Purchase Locally	Nut, HEX 5mm Zinc Plated	All
9	381-354-330	Base Insulation Kit	25, 3
	381-354-331		4
	381-354-332		5
	381-354-333		6
	381-354-334		7
	381-354-335		8
10	550-320-219	Boiler Leg Kit	All
11	591-126-735	Manifold	25, 3
	591-126-736		4
	591-126-737		5
	591-126-738		6
	591-126-739		7
	591-126-740		8
12	560-529-084	Main Burner Orifice LP Gas 0-1999', 54 Drill, (CGi - 25 - All)	
	560-529-111	Main Burner Orifice LP Gas 0-1999', 1.60 mm, (CGi 3,5,4E Series 2) (CGi 3-5 Series 3)	
	560-529-078	Main Burner Orifice LP gas 0-1999'- 1.65mm , (CGi 4,6-8 Series 2) (CGi 6-8 Series 3)	
	560-529-090	Main Burner Orifice Natural Gas 0-1999', 2.30mm, (CGi-25 - All)	
	560-529-126	Main Burner Orifice Natural Gas 0-1999', 2.55mm, (CGi 3-6,4E Series 2) (CGi 3-5 Series 3)	
	560-529-077	Main Burner Orifice Natural Gas 0-1999' 2.70mm, (CGi 7-8 Series 2) (CGi 6-8 Series 3)	
13	512-200-076	Burner	All
14	Purchase locally	Screw, 10-32 x /38 STP type 23 HEX, Washer Heat Slot	All
15	512-050-230	Rollout Thermal Fuse Element (229°C) (Elmwood Sensors RD226-001 or Microtemp G4AM06 00229C)	All

GAS

## CGi - Series 2 Control Parts

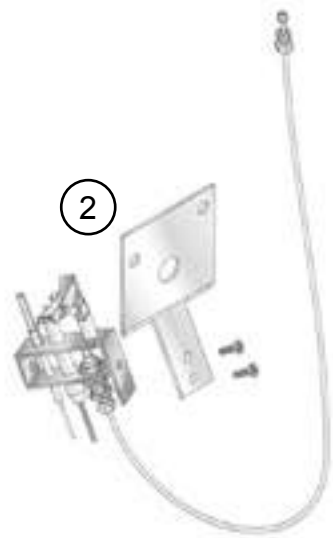


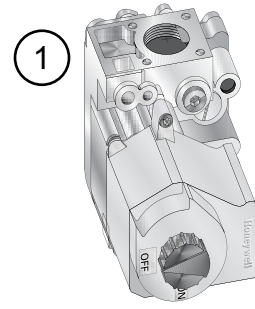
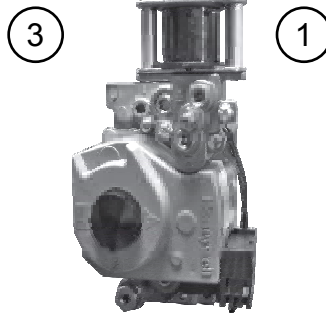
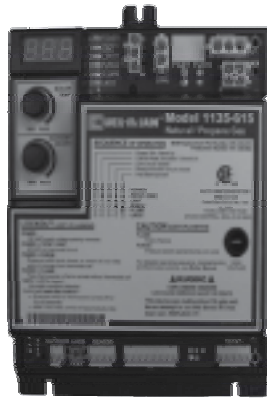
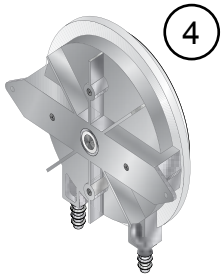
Fig. No.	Part No.	Description	Boiler Size
<b>Natural Gas Components - Series 2</b>			
1	511-044-381	Gas Valve, 1/2" x 1/2"	25, 3, 4, 5, 6
	511-044-353	Gas Valve, 3/4" x 3/4"	7, 8
	511-044-508	Natural Gas Valve, 1/2", Two Stage, .9" W.C. Low Fire and 3.5" W.C. High Fire, Low and High Fire Adjustable	4E
2	511-330-080	Pilot Assembly Kit With Orifice and Aluminum Pilot Gas Tubing (Pilot Bracket Sold Separate)	All
<b>Propane Gas Components - Series 2</b>			
1	511-044-354	Gas Valve, 1/2" x 1/2"	25, 3, 4, 5, 6
	511-044-355	Gas Valve, 3/4" x 3/4"	7, 8
	511-044-510	LP Gas Valve, 1/2", Two Stage, 3.5" W.C. Low Fire, and 10.0" W.C. High Fire, Low and High Fire Adjustable	4E
2	511-330-081	Pilot Assembly Kit With Orifice and Aluminum Pilot Gas Tubing (Pilot Bracket Sold Separate)	All
Fig. No.	Part No.	Description	Boiler Size
<b>Natural Gas and Propane Components - Series 2</b>			



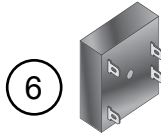
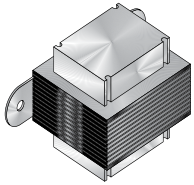
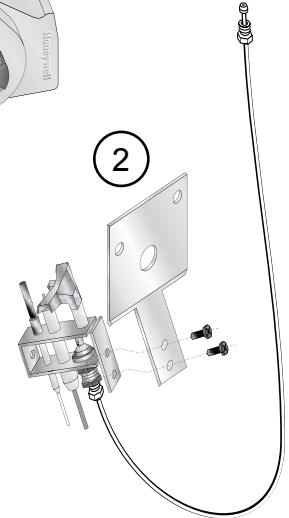
## CGi - Series 2 Control Parts Continued

N/S	450-003-689	Pilot Bracket	All
	Purchase Locally	Machine Screw, Pan Head Phillips, 10-32 x .19" Zinc Plated (2 Each For Pilot Bracket)	All
	381-356-528	Wiring-Harness Circulator	
3	511-330-090	Control Module With 10 Second Pre-Purge	All
N/S	591-391-894	Wiring Harness, Controls To Control Module	All
	591-391-900	Wire Harness, J-box To Control Module - 120 Volt	All
	591-391-951	Wiring Harness, Controls	4E
	591-391-954	Timer Harness	4E
	510-350-468	Delay Timer - 24 Volt., 90 Second, Delay on Make	4E
4	511-624-401	Air Pressure Switch 1.79" W.C.	25, 3
	511-624-302	Air Pressure Switch 1.40" W.C.	4
	511-624-303	Air Pressure Switch 1.12" W.C.	5
	511-624-304	Air Pressure Switch .80" W.C.	6, 8
	511-624-405	Air Pressure Switch .75" W.C.	7
	511-624-657	Air Pressure Switch - 1.36" W.C.	4E
5	511-842-370	24 Volt Step Down Transformer, 40 VA	All
N/S	590-317-650	Air Pressure Switch Tubing, Red, .12 ID Silicone, 17"	All
	590-317-651	Air Pressure Switch Tubing, White, .12 ID Silicone, 19"	All
	510-811-010	Natural to LP Conversion Kit CGi	25
	510-811-011		3 & 5
	510-811-013		7 & 8
	510-811-124		4E
	510-811-016		4 & 6
	510-811-017	LP to Natural Conversion Kit - CGi	7 & 8
	510-811-098		4E

## CGi - Series 3 Control Parts



**CGi 4 Only**



**CGi 4 Only**

5 71045

Fig. No.	Part No.	Description	Boiler Size
<b>Natural Gas Components - Series 3</b>			
1	511-044-381	Gas Valve, 1/2" x 1/2"	25, 3, 5, 6
	511-044-353	Gas Valve, 3/4" x 3/4"	7, 8
	511-044-508	Natural Gas Valve, 1/2", Two Stage, .9" W.C. Low Fire and 3.5" W.C. High Fire, Both Adjustable	4
2	511-330-080	Pilot Assembly Kit With Orifice and Aluminum Pilot Gas Tubing (Pilot Bracket Sold Separate)	All
<b>Propane Gas Components - Series 3</b>			
1	511-044-354	Gas Valve, 1/2" x 1/2"	25, 3, 5, 6
	511-044-355	Gas Valve, 3/4" x 3/4"	7, 8
	511-044-510	LP Gas Valve, 1/2", Two Stage, 3.5" W.C. Low Fire, and 10.0" W.C. High Fire, Both Adjustable	4
2	511-330-081	Pilot Assembly Kit With Orifice and Aluminum Pilot Gas Tubing (Pilot Bracket Sold Separate)	All
<b>Series 3 Only - Control Kits</b>			
N/S	381-356-586	Outdoor Temperature Sensor Kit - (Includes Sensor, Wire Harness, and Instructions)	All
	381-356-585	Zone Interface Harness Kit - (Includes Wire Harness, Cable Clamp, and Instructions)	All
	383-500-125	Outdoor Sensor - 30/50°C, 12 Kohms	

GAS

## CGi - Series 3 Control Parts Continued

Fig. No.	Part No.	Description	Boiler Size
<b>Natural Gas and Propane Components - Series 3</b>			
N/S	450-003-689	Pilot Bracket	All
	Locally	Machine Screw, Pan Head Phillips, 10-32 x .19" Zinc Plated - 2 Per Pilot Bracket	All
	591-391-976	Wiring-Harness Circulator	All
	591-391-989	Wiring Harness, Controls to Module ( <b>For Boilers With Two-Stage Gas Valve ONLY</b> )	4
	591-391-978	Wiring Harness, Controls To Module	3-8
	591-391-975	Wire Harness, J-box To Control Module	All
	591-392-006	Wiring Harness, Thermostat	All
	591-391-995	Temperature Sensor Wire Harness	All
	591-392-035	Time Delay To Gas Valve Wire Harness	4
6	510-350-468	Delay Timer - 24 v., 60 Second, Delay On Make	4
4	511-624-401	Air Pressure Switch 1.79" W.C.	25, 3
	511-624-657	Air Pressure Switch 1.36" W. C.	4
	511-624-303	Air Pressure Switch 1.12" W.C.	5
	511-624-304	Air Pressure Switch .80" W.C.	6, 8
	511-624-405	Air Pressure Switch .75" W.C.	7
5	381-356-578	24 Volt Step Down Transformer, 40 VA	All
N/S	590-317-650	Air Pressure Switch Tubing, Red, .12 ID Silicone, 17", To Collector Hood	All
	590-317-651	Air Pressure Switch Tubing, White, .12 ID Silicone, 19" To Transition Box	All
N/S	381-330-035	LWCO Function Disable Kit - (Includes Temperature Sensor, Sensor Harness, Label, And Instructions) - <b>CP Range - CP7471901 - CP7531679</b>	
3	381-330-028	Integrated Boiler Control - (Includes, Sensor Harness) - <b>Use On Boilers With A CP Range Less Than CP7531679</b>	All
	381-330-022	Integrated Boiler Control - <b>Use only if 381-330-035 Kit Was Already Installed, And CP Range Is Greater Than CP7531680</b>	
N/S	381-356-577	Boiler Temperature Sensor, ½" N.P.T	All
	510-811-260	Natural To LP Conversion Kit CGi	25
	510-811-262		3 - 5
	510-811-266		6
	510-811-268		7 & 8
	510-811-261	LP To Natural Conversion Kit CGi	25
	510-811-263		3 - 5
	510-811-267		6
	510-811-269		7 & 8

## CGi - Series 2 & 3 Water Trim Parts

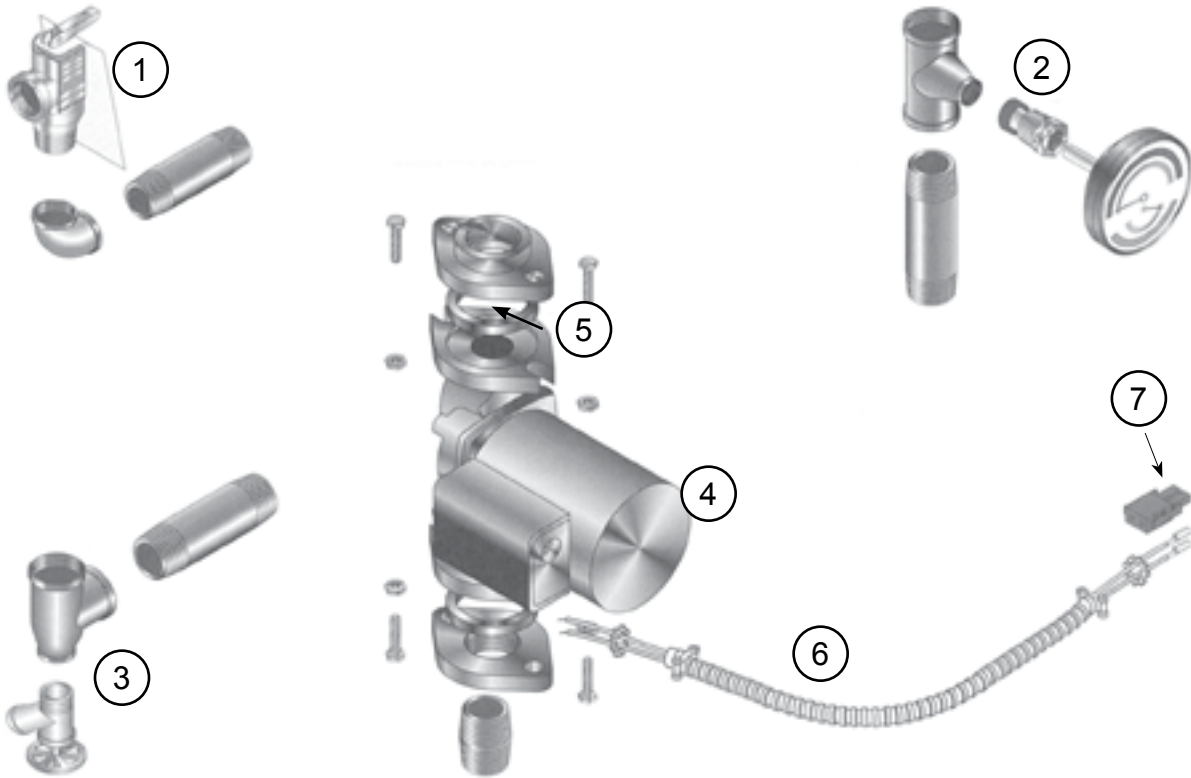
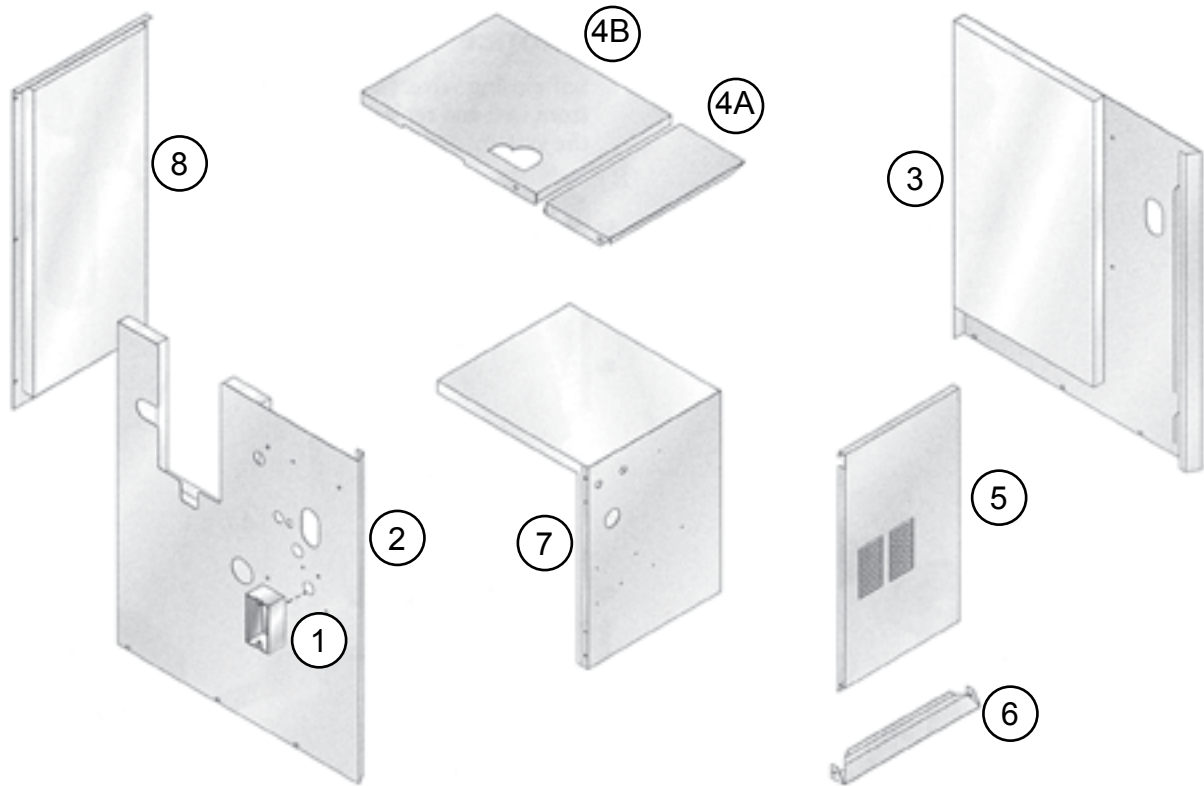


Fig. No.	Part No.	Description	Boiler Size
1	383-500-095	Pressure Relief Valve, ASME, 30 PSIG, 3/4" Male Inlet*	All
2	380-000-000	Combination Pressure-Temperature Gauge kit, 60° - 360° F, 0 - 75 PSI, 3 1/8" Dia., 1/4" N.P.T., Short Shank, With 1/4" x 1/2" Reducing Bushing	All
3	511-210-423	Drain Valve, 3/4"	All
	511-246-392	Drain Valve, 3/4"	All
4	511-405-113	Circulator*	All
5	590-317-535	Circulator Gasket, Universal (2 Per Boiler)	All
N/S	381-354-530	Circulator Hardware Kit (Includes: 1 Flange, 1 Gasket, 2 Nuts, 2 Screws - 3/4" N.P.T.)	25
	381-354-525	Circulator Hardware Kit (Includes: 1 Flange, 1 Gasket, 2 Nuts, 2 Screws - 1" N.P.T.)	3, 4, 5
	381-354-526	Circulator Hardware Kit (Includes: 1 Flange, 1 gasket, 2 Nuts, 2 Screws - 1 1/4" N.P.T.)	6, 7
	381-354-531	Circulator Hardware Kit (Includes: 1 Flange, 1 gasket, 2 Nuts, 2 Screws - 1 1/2" N.P.T.)	8
6	381-356-528	Circulator Wiring Harness Kit With Molex (Series 2)	All
	591-391-976	Circulator Wiring Harness Kit With Molex (Series 3)	All
7	563-210-632	Red Male Connector - Circulator Harness	All

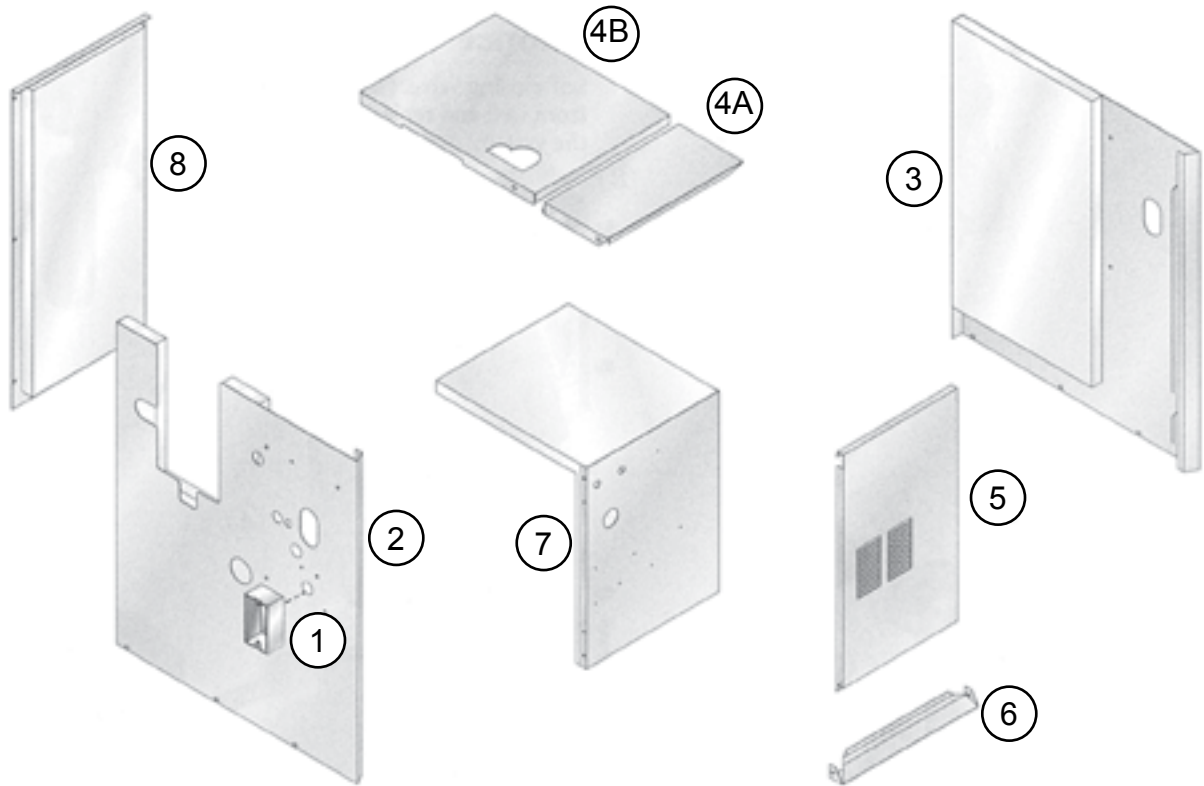
\* Pipe fittings available locally.

## CGi - Series 2 Jacket Assembly Parts



Boiler Model	1	2		3	4A	4B	Boiler Model
	Junction box, 2 x 4	Panel, left side, with insulation		Panel, right side, with insulation	Panel, top front, with insulation	Panel, top rear, with insulation	
		Natural Gas	Propane Gas				
Weil-McLain part number							
CGi-25	(Available at local supply house)	381-355-534	381-355-581	381-355-757	381-355-403	381-355-539	CGi-25
CGi-3		381-355-541		381-355-758	381-355-403	381-355-539	CGi-3
CGi-4		381-355-546	381-355-587	381-355-759	381-355-413	381-355-551	CGi-4
CGi-5		381-355-553	381-355-590	381-355-793	381-355-420	381-355-558	CGi-5
CGi-6		381-355-560	381-355-601	381-355-793	381-355-427	381-355-565	CGi-6
CGi-7		381-355-567	381-355-604	381-355-793	381-355-434	381-355-572	CGi-7
CGi-8		381-355-574	381-355-607	381-355-793	381-355-441	381-355-579	CGi-8
CGi-4E		381-355-610	381-355-612				CGi-4E
Boiler Model		5	6	7	8	N/S	Boiler Model
	Panel, door	Cross tie, bottom front	Panel, interior, with insulation	Panel, rear, with insulation	Touch Up Paint - Gold		
	Weil-McLain part number						
CGi-25/3	381-355-540	431-223-325	381-355-405	431-223-300	592-002-029 Low E 4.5oz Can	CGi-25/3	
CGi-4	381-355-552	431-223-326	381-355-415	431-223-301		CGi-4	
CGi-5	381-355-559	431-223-327	381-355-422	431-223-302		CGi-5	
CGi-6	381-355-566	431-223-328	381-355-429	431-223-303		CGi-6	
CGi-7	381-355-573	431-223-329	381-355-436	431-223-304		CGi-7	
CGi-8	381-355-580	431-223-330	381-355-443	431-223-305		CGi-8	
CGi-4E	381-355-611			431-223-301		CGi-4E	

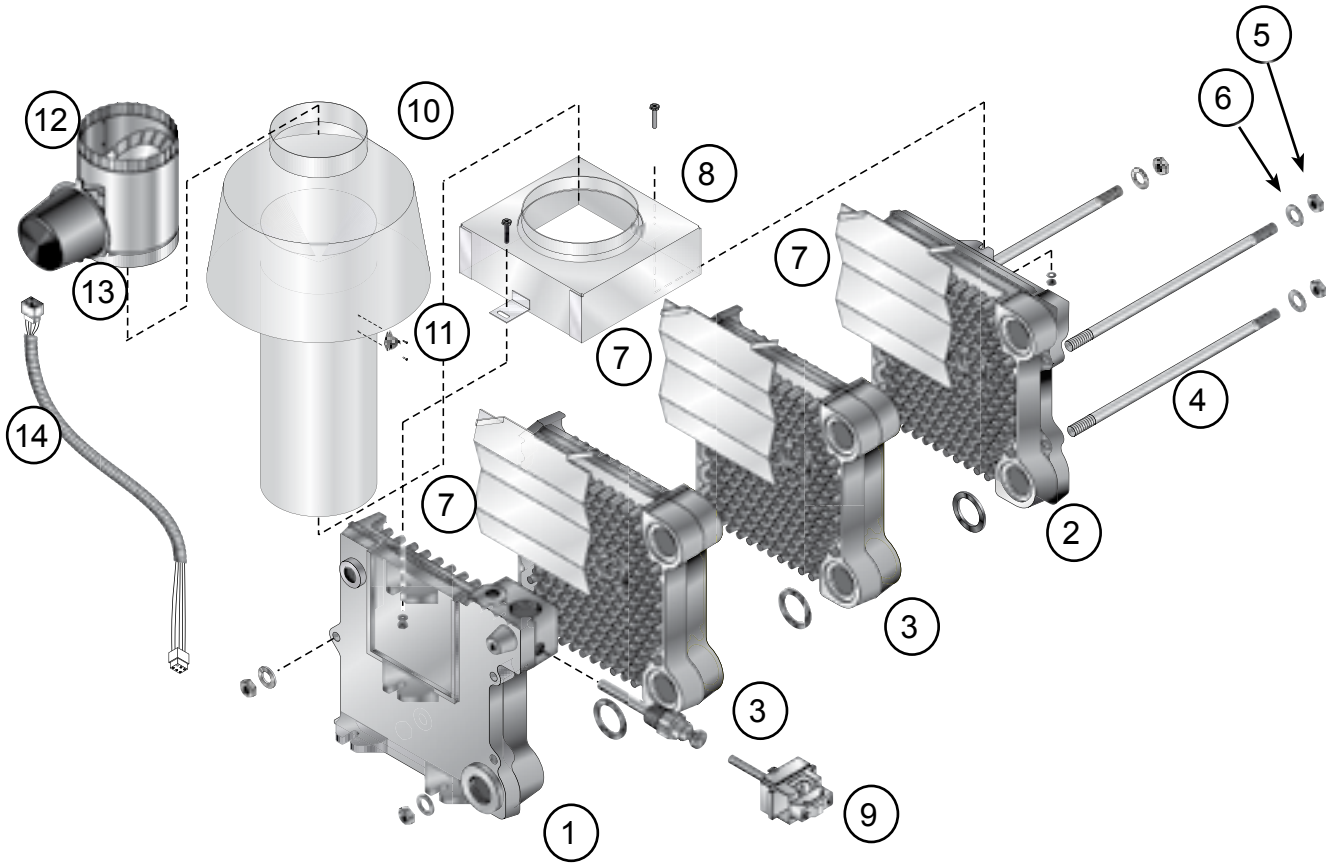
## CGi - Series 3 Jacket Assembly Parts



Boiler Model	1	2		3	4A	4B	Boiler Model
	Junction box, 2 x 4	Panel, left side, with insulation		Panel, right side, with insulation	Panel, top front, with insulation	Panel, top rear, with insulation	
		Natural Gas	Propane Gas				
Weil-McLain part number							
CGi-25	(Available at local supply house)	381-355-851	381-355-895	381-355-699	381-355-403	381-355-539	CGi-25
CGi-3		381-355-858	381-355-898	381-355-699	381-355-403	381-355-539	CGi-3
CGi-4		381-355-864	381-355-901	381-355-699	381-355-413	381-355-551	CGi-4
CGi-5		381-355-871	381-355-904	381-355-793	381-355-420	381-355-558	CGi-5
CGi-6		381-355-877	381-355-907	381-355-793	381-355-427	381-355-565	CGi-6
CGi-7		381-355-883	381-355-910	381-355-793	381-355-434	381-355-572	CGi-7
CGi-8		381-355-889	381-355-913	381-355-793	381-355-441	381-355-579	CGi-8
Boiler Model		5	6	7	8	N/S	Boiler Model
	Panel, door	Cross tie, bottom front	Panel, interior, with insulation	Panel, rear, with insulation	Touch Up Paint - Gold		
Weil-McLain part number							
CGi-25/3	381-355-540	431-223-325	381-355-405	431-223-300	592-002-029 Low E 4.5oz Can	CGi-25/3	
CGi-4	381-355-552	431-223-326	381-355-415	431-223-301		CGi-4	
CGi-5	381-355-559	431-223-327	381-355-422	431-223-302		CGi-5	
CGi-6	381-355-566	431-223-328	381-355-429	431-223-303		CGi-6	
CGi-7	381-355-573	431-223-329	381-355-436	431-223-304		CGi-7	
CGi-8	381-355-580	431-223-330	381-355-443	431-223-305		CGi-8	

# NOTES

## CGa - Series 1 & 2 Section Assembly Parts



GAS

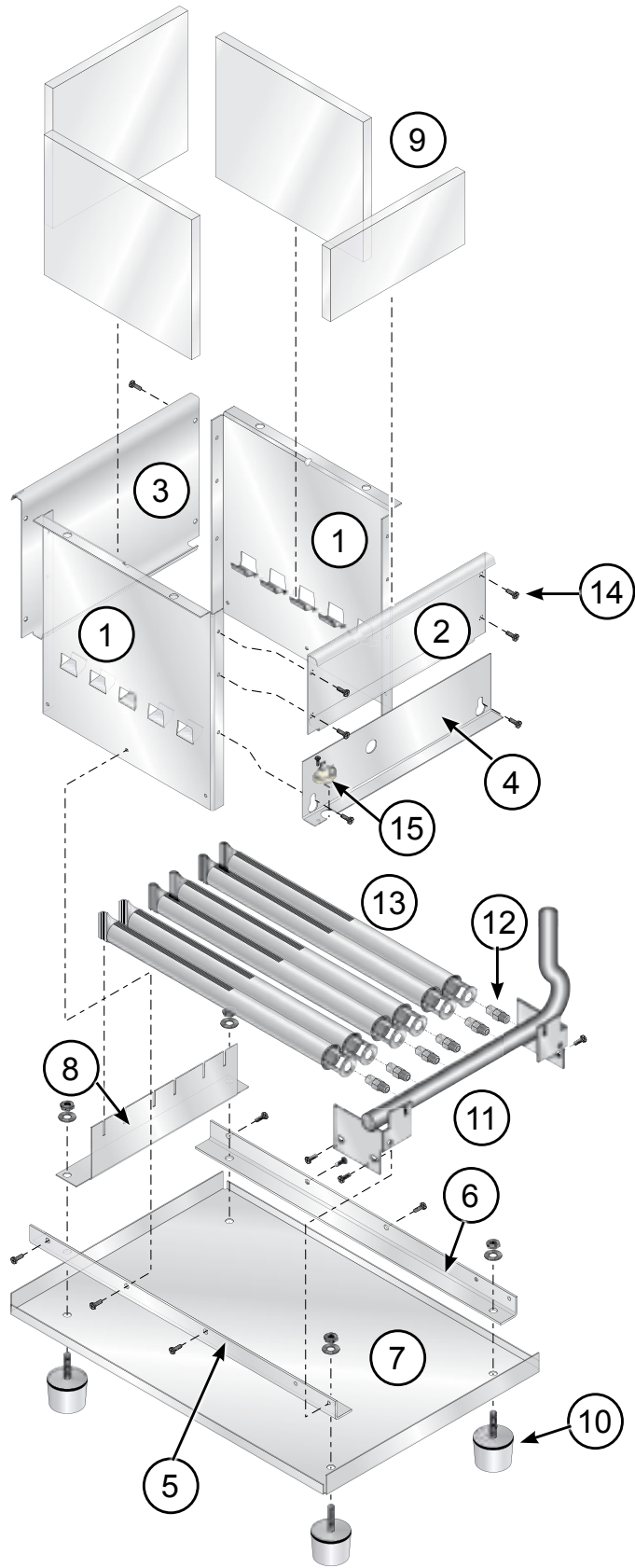
Fig. No.	Part No.	Description	Boiler Size	
1	311-103-850	End Section, Left Hand, Cast #51124	All	
2	311-103-821	End Section, Right Hand, Cast #51128	All	
3	311-103-818	Intermediate Section, Cast #51125	All	
N/S	321-114-286	Replacement Section Assembly - (Series 1 <b>ONLY</b> ) With Well	25, 3	
	321-114-287		4	
	321-114-288		5	
	321-114-289		6	
	321-114-290		7	
	321-114-291		8	
	321-114-345	Replacement Section Assembly - (Series 2 <b>ONLY</b> ) Without Well	25, 3	
	321-114-346		4	
	321-114-347		5	
	321-114-348		6	
	321-114-349		7	
	321-114-350	8		
		381-354-527	Section Replacement Kit (Includes: Seals and Sealant for (1) Joint)	All
		591-608-915	Retort Cement - ½ Pint Can	All



**CGa - Series 1 & 2**  
**Section Assembly Parts Continued**

Fig. No.	Part No.	Description	Boiler Size
4	560-234-500	Tie Rod, 7/16" x 9" Without Nut (3 Required for Boiler)	25, 3
	560-234-501	Tie Rod, 7/16" x 12" Without Nut (3 Required for Boiler)	4
	560-234-502	Tie Rod, 7/16" x 15" Without Nut (3 Required for Boiler)	5
	560-234-503	Tie Rod, 7/16" x 18" Without Nut (3 Required for Boiler)	6
	560-234-504	Tie Rod, 7/16" x 21" Without Nut (3 Required for Boiler)	7
	560-234-505	Tie Rod, 7/16" x 24" Without Nut (3 Required for Boiler)	8
5	561-928-235	Nut, 7/16" (2 Per Tie Rod)	All
6	562-248-684	Washer, lock 7/16" (1 Per Joint)	All
7	460-003-700	Radiation Plate (1 Per Joint)	All
8	381-354-625	Collector Hood	25
	381-354-626		3
	381-354-627		4
	381-354-628		5
	381-354-629		6
	381-354-630		7
	381-354-631		8
9	510-312-250	High Limit, 140-220°F With 30° Differential and ½" N.P.T. Well, (Series 1 <b>ONLY</b> )	All
	381-356-577	Boiler Temperature Sensor - (Series 2 <b>ONLY</b> )	All
10	450-021-240	Draft Hood 4" - Top, 4" Bottom Opening	25
	450-021-241	Draft Hood 4" - Top, 5" Bottom Opening	3
	450-021-242	Draft Hood 5" - Top, 6" Bottom Opening	4
	450-021-243	Draft Hood 6" - Top, 7" Bottom Opening	5
	450-021-244	Draft Hood 6" - Top, 7" Bottom Opening	6
	450-021-245	Draft Hood 7" - Top, 8" Bottom Opening	7
	450-021-246	Draft Hood 7" - Top, 8" Bottom Opening	8
11	510-300-013	Spill Switch 210° F, Manual Reset	25
	510-300-014	Spill Switch 240° F, Manual Reset	3-8
12	381-800-474	Vent Damper Assembly, 4", CGa-25, 3	
	381-800-475	Vent Damper Assembly, 5", CGa-4	
	381-800-476	Vent Damper Assembly, 6", CGa-5, 6	
	381-800-477	Vent Damper Assembly, 7", CGa-7, 8	
13	510-512-337	Vent Damper Actuator	All
14	591-391-795	Vent Damper Harness	All

# CGa - Series 1 & 2 Base Assembly



GAS

## CGa - Series 1 & 2 Base Assembly Parts

Fig. No.	Part No.	Description	Boiler Size
1	460-003-710	Base Side Panel (2 Required)	All
2	460-003-777	Base Front Cross-Tie	25-3
	460-003-778		4
	460-003-779		5
	460-003-780		6
	460-003-781		7
	460-003-782		8
3	460-003-701	Base Back Cross-Tie	25-3
	460-003-702		4
	460-003-703		5
	460-003-704		6
	460-003-705		7
	460-003-706		8
4	460-003-741	Access Panel	25-3
	460-003-742		4
	460-003-743		5
	460-003-744		6
	460-003-745		7
	460-003-746		8
5 & 6	450-030-971	Base Pan Side Angle, Universal Fits Right Or Left Side	All
7	450-003-730	Base Pan	25-3
	450-003-731		4
	450-003-732		5
	450-003-733		6
	450-003-734		7
	450-003-735		8
8	450-003-742	Burner Rest	25
	450-003-736		3
	450-003-737		4
	450-003-738		5
	450-003-739		6
	450-003-740		7
	450-003-741		8
9	381-354-518	Base Insulation Kit	25-5
	381-354-519		6-8
10	590-424-252	Boiler Leg (3"), 1 Leg, 4 Required	All

## CGa - Series 1 & 2 Base Assembly Parts Continued

Fig. No.	Part No.	Description	Boiler Size
11	591-126-615	Burner Manifold	25
	591-126-616		3
	591-126-617		4
	591-126-618		5
	591-126-619		6
	591-126-556		7
	591-126-557		8
12	560-528-997	Main Burner Orifice – Natural Gas 2.0mm	All
	560-528-998	Main Burner Orifice – Propane Gas 1.3mm	All
13	512-200-077	Main Burner - Stainless Steel	All
N/S	512-200-079	Main Burner - Stainless Steel With Pilot Bracket (Standing Pilot) - (Available With Pilot Burner Kit)	All
	512-200-078	Main Burner With Pilot Bracket (Spark Ignition Pilot)(Available With Pilot Burner Kit), Standing Pilot, LP	All
14	Available Locally	Screw, 10-32 x 3/8" STP Type D HEX, Washer Heat Slotted, Zinc Plated	
15	512-050-230	Rollout Thermal Fuse Element, 228°C	All
N/S	381-354-355	Base Replacement Carton - (Includes, Base Panels - Items 1, 2, 3, 4, 5, 6, and 7, Insulation, Air Box Gaskets, and Hardware)	25
	381-354-356		3
	381-354-357		4
	381-354-358		5
	381-354-359		6
	381-354-360		7
	381-354-361		8

**Notes:**

**Order sufficient quantities to replace all orifices within a base.**

**Number of burners:**

**CGa-25: 2 main burners and 1 burner with pilot bracket**

**CGa-3: 3 main burners and 1 burner with pilot bracket**

**CGa-4: 5 main burners and 1 burner with pilot bracket**

**CGa-5: 7 main burners and 1 burner with pilot bracket**

**CGa-6: 9 main burners and 1 burner with pilot bracket**

**CGa-7: 11 main burners and 1 burner with pilot bracket**

**CGa-8: 13 main burners and 1 burner with pilot bracket**

## CGa - Series 1 & 2 Water Trim

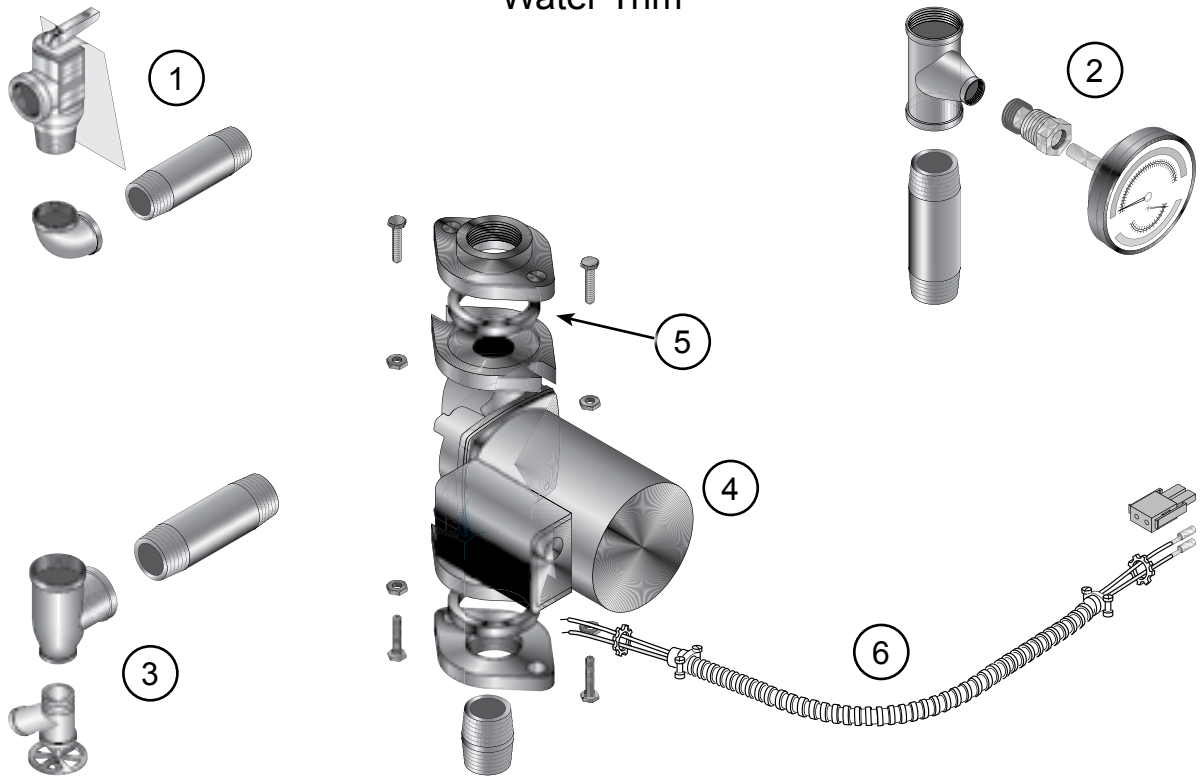
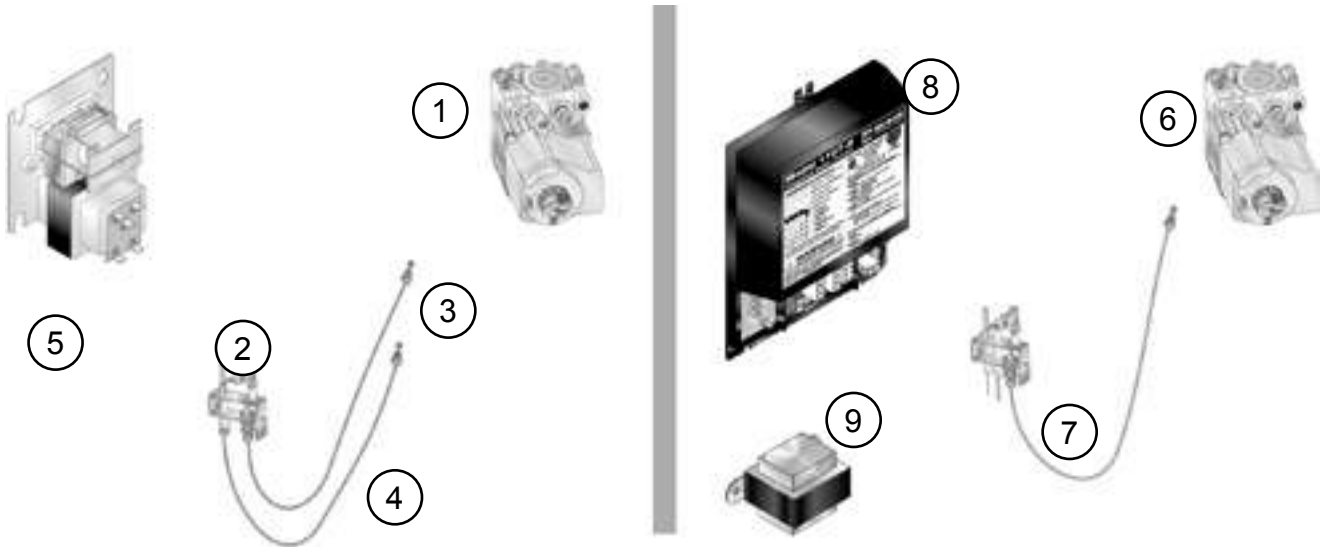


Fig. No.	Part No.	Description	Boiler Size
1	383-500-095	Pressure Relief Valve, ASME, 30 PSIG, 3/4" Male Inlet (Fittings Shown are Factory Installed on Boiler)	All
2	380-000-000	Combination Pressure-Temperature Gauge Kit, 60°-360°F 0-75 PSI, 3 1/8" Dia., 1/4" N.P.T., Short Shank With 1/4" x 1/2" Reducing Bushing	All
3	511-210-423	Drain Valve 3/4" N.P.T	All
4	511-405-113	Circulator (Fittings Shown are Factory Installed on Boiler)	All
5	590-317-535	Circulator Gasket, Universal (2 Per Boiler)	All
N/S	381-354-530	Circulator Hardware Kit (Includes: (1) Flange, (1) Gasket, (2) Nuts, (2) Screws) 3/4" N.P.T.	25
	381-354-525	Circulator Hardware Kit (Includes: (1) Flange, (1) Gasket, (2) Nuts, (2) Screws) 1" N.P.T.	3, 4, 5
	381-354-526	Circulator Hardware Kit (Includes: (1) Flange, (1) Gasket, (2) Nuts, (2) Screws) 1 1/4" N.P.T.	6, 7
	381-354-531	Circulator Hardware Kit (Includes: (1) Flange, (1) Gasket, (2) Nuts, (2) Screws) 1 1/2" N.P.T.	8
6	591-319-793	Circulator Wiring Harness Kit for Standing Pilot Ignition - (Series 1 <b>ONLY</b> )	All
	381-356-528	Circulator Wiring Harness Kit, For Spark Ignition (with Molex Connector) - (Series 1 <b>ONLY</b> )	All
	591-391-976	Circulator Wiring Harness - (Series 2 <b>ONLY</b> )	All
N/S	563-210-632	Mate-N-Lock Connector - (Red) - (Series 2 <b>ONLY</b> )	All

## CGa - Series 1 Control Parts



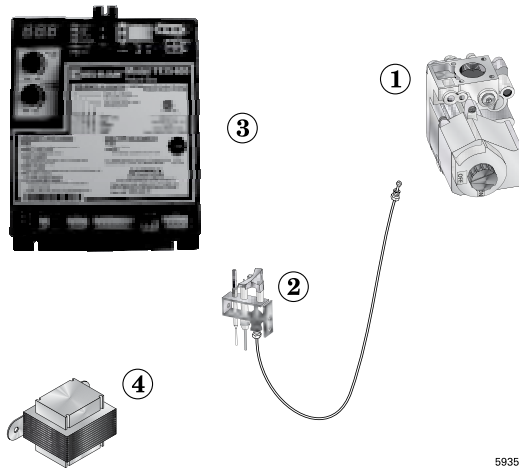
<b>CGa - Series 1</b>			
Fig. No.	Part No.	Description	Boiler Size
<b>Standing Pilot – Natural Gas Components</b>			
1	511-044-360	Gas Valve, ½" x ½", Natural	25-6
	511-044-256	Gas Valve, ¾" x ¾", Natural 1.2" Step Open	7, 8
2	510-811-644	Pilot Assembly Kit With Orifice	All
3	560-742-860	Tubing, pilot, Aluminum ⅛" x 22¾"	All
4	511-724-254	Thermocouple, 30"	All
<b>Standing Pilot – Propane Gas Components</b>			
1	381-356-534	Gas Valve, ½" x ½", With ¾" Adapters, LP, 2.2" Step Open	25-8
2	510-811-646	Pilot Assembly Kit With Orifice	All
3	560-742-860	Tubing, Pilot, Aluminum ⅛" x 22¾"	All
4	511-724-253	Thermocouple, 48"	All
<b>Standing Pilot Components For Natural and Propane Gas</b>			
5	510-312-167	Transformer and Relay Assembly	All
	510-350-223	Relay Only- Standing Pilot	All
N/S	510-312-166	Transformer Only – Standing Pilot	All
	591-391-862	Standing Pilot Wiring Harness	All
<b>Pilot Gas Components For Natural and Propane Gas – CGa 25 &amp; CGa 3 Only</b>			
N/S	510-811-648	Pilot Gas Pressure Regulator, 4.0" W.C. Outlet	25, 3
<b>CGa - Series 1 Continued</b>			
Fig. No.	Part No.	Description	Boiler Size
N/S	560-742-859	Tubing, Aluminum From Gas Valve to Regulator, ¼" x 3" 90°	25, 3
	562-302-017	Adapter, Male ⅛" x 7/16"-24, From Regulator to Pilot Gas Line	25, 3

CGa - Series 1  
Control Parts Continued

<b>Standing Pilot Conversion Kits</b>			
<b>These Kits Will Retrofit CG/CGM - Series 4 Thru 12</b>			
N/S	510-811-363	Conversion Kit: Natural To Propane CGa 7-8 (Standing Pilot Only)	
	510-811-356	Conversion Kit: Propane To Natural CGa 25-6 (Standing Pilot Only)	
	510-811-357	Conversion Kit: Propane To Natural CGa 7-8 (Standing Pilot Only)	
	510-811-362	Conversion Kit: Natural To Propane CGa 25-6 (Standing Pilot Only)	
<b>Spark Ignition Components For Natural Gas</b>			
<b>Spark Ignition Cannot Be Used With Propane Gas For Series 1</b>			
6	511-044-381	Gas Valve, 1/2" x 1/2"	25-6
	511-044-382	Gas Valve, 3/4" x 3/4"	7, 8
7	511-330-218	Pilot Assembly Kit With Orifice, Aluminum Pilot Gas Tubing, And Spark Wire and Sense Wire	All
8	511-330-079	Ignition Control Module	All
9	511-842-370	24 Volt Step Down Transformer, 40 VA	All
N/S	591-391-900	Wire Harness, Power Supply	All
	591-391-905	Wire Harness, Spark Ignition, Controls	All

## CGa - Series 2 Control Parts

### Spark-ignited pilot controls



59354

<b>CGa - Series 2</b>			
Fig. No.	Part No.	Description	Boiler Size
<b>Spark Ignition Components For Natural Gas</b>			
1	511-044-381	Gas Valve, 1/2" x 1/2",	25-6
	511-044-382	Gas Valve, 3/4" x 3/4", 1.2" Step Open	7, 8
2	511-330-218	Pilot Assembly Kit - (Includes, Orifice, and Pilot Tubing)	All
N/S	381-330-035	LWCO Function Disable Kit - (Includes Temperature Sensor, Sensor Harness, Label, And Instructions) - <b>CP Range - CP7528674 - CP7540455</b>	
3	381-330-026	Integrated Boiler Control - (Includes, Sensor Harness) - <b>Use On Boilers With A CP Range Less Than CP7529278</b>	All
	381-330-024	Integrated Boiler Control - <b>Use only If 381-330-035 Kit Was Already Installed, And CP Range Is Greater Than CP7529279</b>	All
<b>Spark Ignition Components For Propane Gas</b>			
1	511-044-356	Gas Valve 3/4" X 3/4" - 2.5" Step Open	25-7
	511-044-366	Gas Valve 3/4" X 3/4" - Slow Open	8
2	511-330-273	Pilot Assembly Kit - (Includes Orifice, and Pilot Tubing)	All
N/S	381-330-035	LWCO Function Disable Kit - (Includes Temperature Sensor, Sensor Harness, Label, And Instructions) - <b>CP Range - CP7528674 - CP7540455</b>	
3	381-330-027	Integrated Boiler Control - (Includes, Sensor Harness) - <b>Use On Boilers With A CP Range Less Than CP7540389</b>	All
	381-330-021	Integrated Boiler Control - <b>Use only If 381-330-035 Kit Was Already Installed, And CP Range Is Greater Than CP7540390</b>	All

GAS



**CGa - Series 2**  
**Control Parts Continued**

<b>CGa - Series 2</b>			
Fig. No.	Part No.	Description	Boiler Size
<b>Common Components For Both Natural and Propane Gas</b>			
N/S	381-356-577	Boiler Temperature Sensor, ½" N.P.T	All
	591-392-035	Wire Harness, Temperature Sensor	All
4	381-356-578	Control Transformer, 24 Volt, 40 VA	All
N/S	591-391-975	Wire Harness, Power, J Box To Module	All
	591-391-976	Circulator Harness	All
	591-392-006	Thermostat Harness	All
	591-391-977	Wire Harness, Controls To Module	All
	512-050-230	Rollout Fuse Element, 228° C.	All
	510-300-013	Spill Switch, 210° F, Manual Reset	25
	510-300-014	Spill Switch, 240° F, Manual Reset	3-8
<b>Series 2 Only - Conversion Kits</b>			
N/S	510-811-946	Natural Gas To Propane - (Includes, Gas Valve, Orifices, Burner With Pilot Bracket, Temperature Sensor Wire Harness, Pilot Assembly With Tubing, Module-1135-606, Bushing-¾" x ½" N.P.T, Hardware, Labels, and Instructions)	25-7
	510-811-947	Natural Gas To Propane - (Includes, Gas Valve, Orifices, Burner With Pilot Bracket, Temperature Sensor Wire Harness, Pilot Assembly With Tubing, Module -1135-606, Hardware, Labels, and Instructions)	8
	510-811-948	Propane To Natural Gas - (Includes, Gas Valve, Orifices, Burner With Pilot Bracket, Temperature Sensor Wire Harness, Pilot Assembly With Tubing, Module -1135-605, Hardware, Labels, and Instructions)	25-6
	510-811-949	Propane To Natural Gas - (Includes, Gas Valve, Orifices, Burner With Pilot Bracket, Temperature Sensor Wire Harness, Pilot Assembly With Tubing, Module -1135-605, Hardware, Labels, and Instructions)	7-8
<b>Series 2 Only - Control Kits</b>			
N/S	381-356-586	Outdoor Temperature Sensor Kit - (Includes Sensor, Wire Harness, and Instructions)	All
	381-356-585	Zone Interface Harness Kit - (Includes Wire Harness, Cable Clamp, and Instructions)	All
	383-500-125	Outdoor Sensor - 30/50°C, 12 Kohms	

## CGa - Series 1 Jacket Assembly Parts

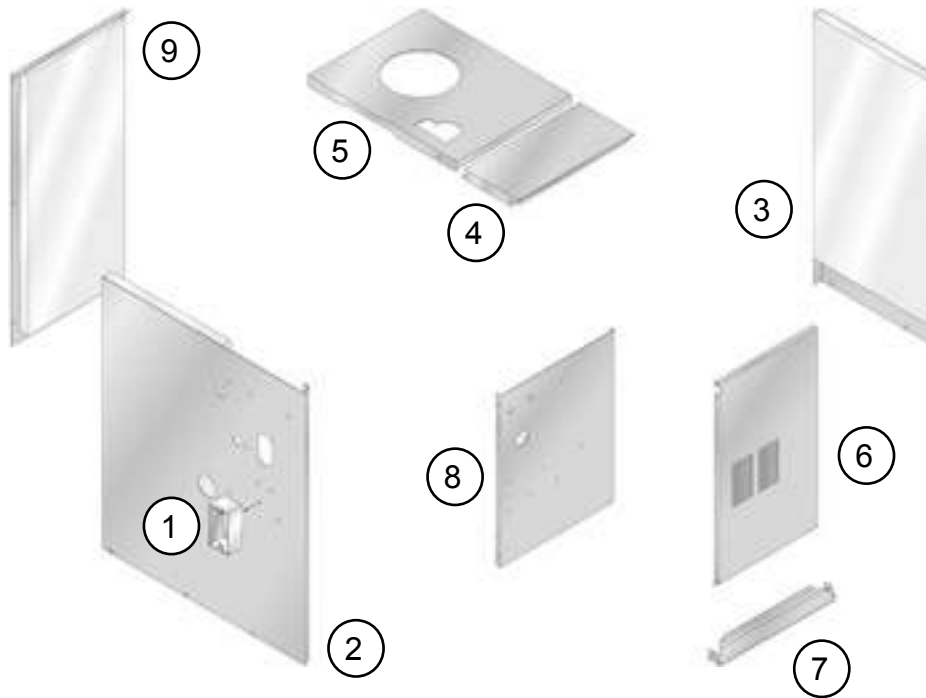
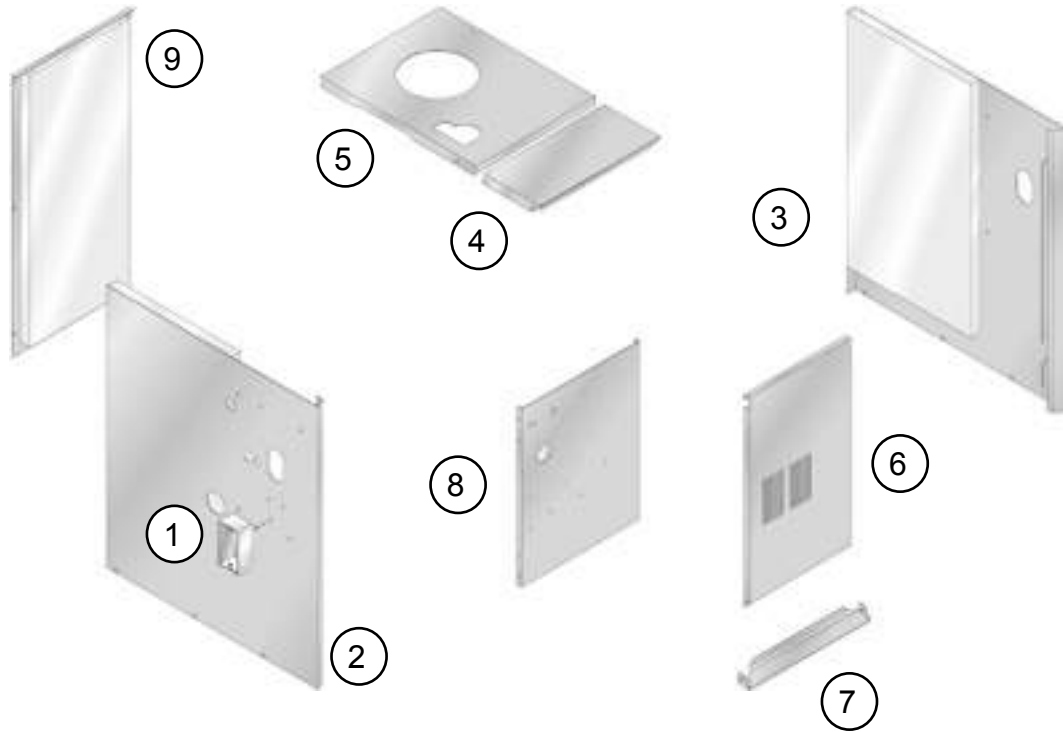


Fig. No.	Part No.	Description	Boiler Model
1	Available Locally	Junction box, 2 x 4	CGa 25-8
2	381-355-400	Panel, Left Side, With Insulation (Natural Gas Standing Pilot)	CGa-25
	381-355-407		CGa-3
	381-355-410		CGa-4
	381-355-417		CGa-5
	381-355-424		CGa-6
	381-355-431		CGa-7
	381-355-438		CGa-8
	381-355-451		CGa-4
	381-355-454	CGa-5	
	381-355-457	Panel, Left Side, With Insulation (Propane Gas Standing Pilot)	CGa-6
	381-355-460		CGa-7
	381-355-463		CGa-8
	381-355-466	Panel, Left Side, With Insulation (Natural Gas Spark Ignition)	CGa-25
	381-355-470		CGa-3
	381-355-473		CGa-4
	381-355-477		CGa-5
	381-355-481		CGa-6
	381-355-485		CGa-7
	381-355-489		CGa-8

## CGa - Series 1 Jacket Assembly Parts Continued

Fig. No.	Part No.	Description	Boiler Model
3	381-355-699	Panel, Right Side, With Insulation - (Natural Gas, Standing Pilot)	CGa-25
	381-355-745		CGa-3
	381-355-746		CGa-4
	381-355-793		CGa-5-CGa-8
	381-355-747	Panel, Right Side, With Insulation - (Propane Gas, Standing Pilot)	CGa-25
	381-355-749		CGa-4
	381-355-793		CGa-5-CGa-8
	381-355-754	Panel, Right Side, With Insulation - (Natural Gas, Spark Pilot)	CGa-25
	381-355-755		CGa-3
	381-355-756		CGa-4
	381-355-793		CGa-5-CGa-8

## CGa - Series 2 Jacket Assembly Parts



GAS

Fig. No.	Part No.	Description	Boiler Model	
1	Available Locally	Junction Box, 2" x 4"	All	
2	381-355-800	Panel, Left Side, With Insulation (Natural Gas - Spark Ignition)	CGa-25	
	381-355-805		CGa-3	
	381-355-809		CGa-4	
	381-355-814		CGa-5	
	381-355-818		CGa-6	
	381-355-822		CGa-7	
	381-355-826		CGa-8	
	381-355-830		CGa-25	
	381-355-833		CGa-3	
	381-355-836		CGa-4	
	381-355-839		Panel, Left Side, With Insulation (Propane Gas - Spark Ignition)	CGa-5
	381-355-842		CGa-6	
	381-355-845		CGa-7	
	381-355-848		CGa-8	
	3		381-355-699	Panel, Right Side, With Insulation
381-355-793		CGa-5-CGa-8		

## CGa - Series 1 & 2 Common Jacket Assembly Parts

Fig. No.	Part No.	Description	Boiler Model
4	381-355-403	Jacket Panel, Top Front	CGa-25/3
	381-355-413		CGa-4
	381-355-420		CGa-5
	381-355-427		CGa-6
	381-355-434		CGa-7
	381-355-441		CGa-8
5	381-355-404	Panel, Top Rear	CGa-25/3
	381-355-414		CGa-4
	381-355-421		CGa-5
	381-355-428		CGa-6
	381-355-435		CGa-7
	381-355-442		CGa-8
6	381-355-406	Panel, Door	CGa-25/3
	381-355-416		CGa-4
	381-355-423		CGa-5
	381-355-430		CGa-6
	381-355-437		CGa-7
	381-355-444		CGa-8
7	431-223-325	Cross Tie, Bottom Front	CGa-25/3
	431-223-326		CGa-4
	431-223-327		CGa-5
	431-223-328		CGa-6
	431-223-329		CGa-7
	431-223-330		CGa-8
8	381-355-405	Panel, Interior, With Insulation	CGa-25/3
	381-355-415		CGa-4
	381-355-422		CGa-5
	381-355-429		CGa-6
	381-355-436		CGa-7
	381-355-443		CGa-8
9	431-223-300	Panel, Rear, With Insulation	CGa-25/3
	431-223-301		CGa-4
	431-223-302		CGa-5
	431-223-303		CGa-6
	431-223-304		CGa-7
	431-223-305		CGa-8
N/S	592-002-029	Touch Up Paint - Gold - Low E 4.5oz Can	All

## EG - Series 1 Through 5 Section / Base Assembly Parts

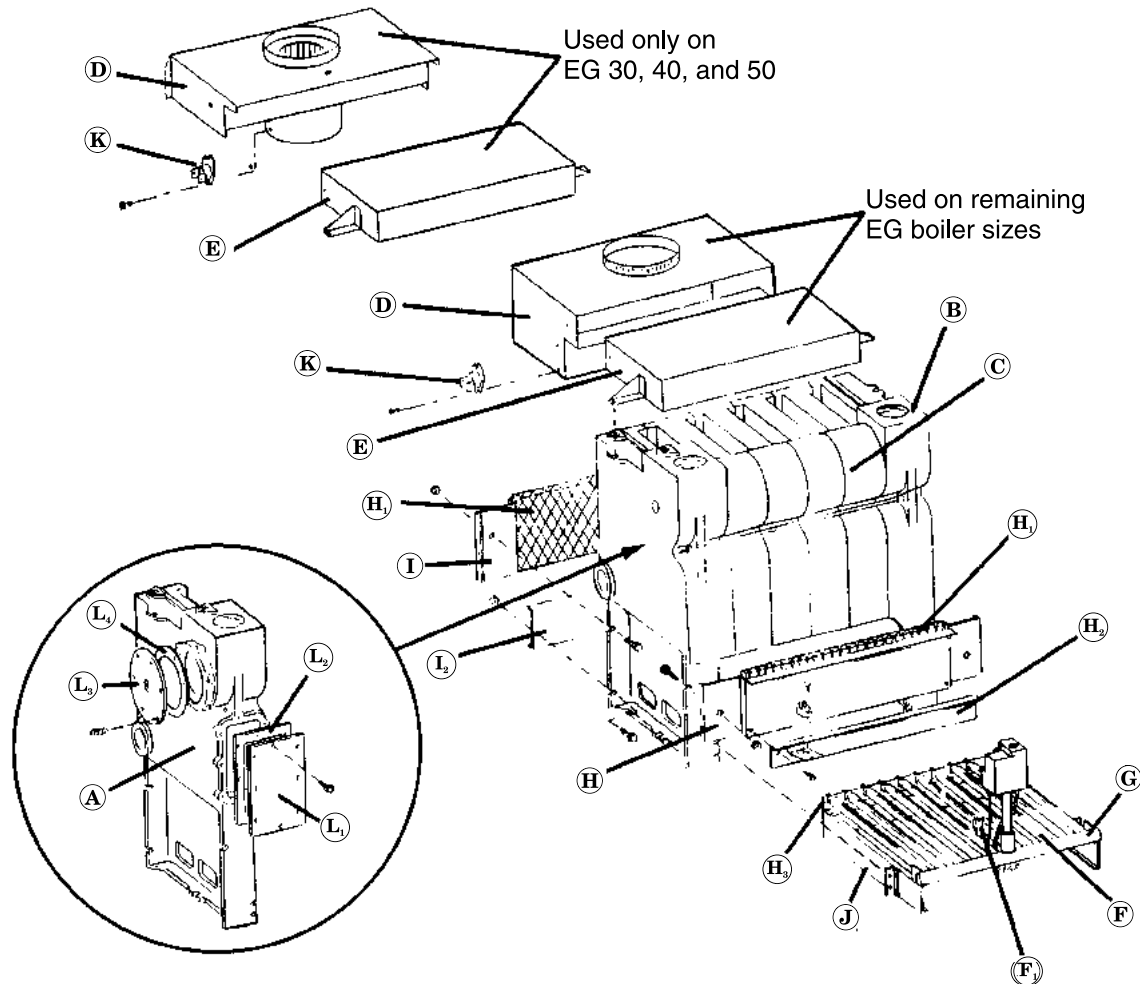


Fig. No.	Part No.	Description	Boiler Series
N/S	321-811-095	Section Assembly, Complete: EG, P-EG 30, 35 Without Heater Opening	1-5
	321-811-100	Section Assembly, Complete: EG, P-EG 35, With Heater Opening (Tankless Heater Not Available On EG-30)	1-5
	321-811-110	Section Assembly, Complete: EG, P-EG 40, 45 With Heater Opening	1-5
	321-811-115	Section Assembly, Complete: EG, P-EG 40, 45 Without Heater Opening	1-5
	321-811-120	Section Assembly, Complete: EG, P-EG 50, 55 With Heater Opening	1-5
	321-811-125	Section Assembly, Complete: EG, P-EG 50, 55 Without Heater Opening	1-5
	321-811-130	Section Assembly, Complete: EG 65 With Heater Opening	1-5
	321-811-135	Section Assembly, Complete: EG 65 Without Heater Opening	1-5
	321-811-140	Section Assembly, Complete: EG 75 With Heater Opening	1-5
	321-811-145	Section Assembly, Complete: EG 75 Without Heater Opening	1-5
A	311-800-014	Left Hand End Section With Heater Opening-( Pattern No.1814 )	1-5
	311-800-007	Left Hand End Section Without Heater Opening-( Pattern No.1813 )	1-5
B	311-800-029	Right Hand End Section Without Heater Opening-( Pattern No.18118 )	1-5
C	311-800-010	Intermediate Section-( Pattern No.1815 )	1-5

## EG - Series 1 Through 5 Section / Base Assembly Parts

Fig. No.	Part No.	Description	Boiler Series
N/S	381-800-667	Section Replacement Kit (Includes: (1) 3" and 6" Elastomer Seal, 2 Pieces ¼" Rope Seal, 1-2.8 oz Tube of Silicone) Order 1 Kit Per Joint Between Sections	1-5
	592-800-010	3" Dia. Bottom Elastomer Seal (1 Per Joint)	1-5
	592-800-007	6" Dia. Top Elastomer Seal (1 Per Joint)	1-5
	590-735-122	Sealer For Sections (¼" Rope- 22¾" Length ) 2 Pieces Required.	1-5
	513-000-002	Silicone ( High temperature--2.8oz )--Used To Attach Rope Seal	1-5
	560-234-470	½" x 14" Tie Rod Without Nut (2 Per Boiler): EG, P-EG-30,35	1-5
	560-234-475	½" x 18½" Tie Rod Without Nut (2 Per Boiler): EG, P-EG-40,45	1-5
	560-234-480	½" x 22¾" Tie Rod Without Nut (2 Per Boiler): EG, P-EG-50,55	1-5
	560-234-485	½" x 27" Tie Rod Without Nut (2 Per Boiler): EG-65	1-5
	560-234-490	½" x 31¼" Tie Rod Without Nut (2 Per Boiler): EG-75	1-5
	561-928-221	½" Hex Nut (2 Per Tie Rod) - Purchase Locally	1-5
	562-248-668	½" Split Lock Washer (1 Per Tie Rod)	1-5
	591-602-913	Retort Cement (1 Quart)	1-5
	591-706-214	Flue brush, 124 DMG 42" Long	1-5
D	450-021-255	Draft Hood: EG, P-EG- 30 ( 9⅝" Left To Right Dimension )	1-5
	450-021-256	Draft Hood: EG, P-EG- 35 ( 9⅝" Left To Right Dimension )	1-5
	450-021-257	Draft Hood: EG, P-EG- 40 ( 13⅞" Left To Right Dimension )	1-5
	450-021-258	Draft Hood: EG, P-EG- 45 ( 13⅞" Left To Right Dimension )	1-5
	450-021-259	Draft Hood: EG, P-EG- 50 ( 18⅞" Left To Right Dimension )	1-5
	450-021-260	Draft Hood: EG, P-EG- 55 ( 18⅞" Left To Right Dimension )	1-5
	450-021-261	Draft Hood: EG-65 ( 22-7/16" Left To Right Dimension )	1-5
	450-021-262	Draft Hood: EG-75 ( 26-11/16" Left To Right Dimension )	1-5
E	450-014-733	Collector Hood: EG, P-EG-30, 35 ( 9½" Left To Right Dimension )	1-5
	450-014-734	Collector Hood: EG, P-EG-40, 45 ( 13¾" Left To Right Dimension )	1-5
	450-014-735	Collector Hood: EG, P-EG-50, 55 ( 18" Left To Right Dimension )	1-5
	450-014-736	Collector Hood: EG-65 ( 22¼" Left To Right Dimension )	1-5
	450-014-737	Collector Hood: EG-75 ( 26½" Left To Right Dimension )	1-5
H	451-800-000	Front Base Panel: EG, P-EG-30, 35	1-5
	451-800-001	Front Base Panel: EG, P-EG-40, 45	1-5
	451-800-002	Front Base Panel: EG, P-EG-50, 55	1-5
	451-800-003	Front Base Panel: EG-65	1-5
	451-800-004	Front Base Panel: EG-75	1-5
I	451-800-010	Back Base Panel: EG, P-EG-30, 35	1-5
	451-800-011	Back Base Panel: EG, P-EG-40, 45	1-5
	451-800-012	Back Base Panel: EG, P-EG-50, 55	1-5
	451-800-013	Back Base Panel: EG-65	1-5
	451-800-014	Back Base Panel: EG-75	1-5

**EG - Series 1 Through 5**  
**Section / Base Assembly Parts Continued**

Fig. No.	Part No.	Description	Boiler Series
I <sub>2</sub>	451-800-020	Back Base Channel: EG, P-EG 30, 35	1-5
	451-800-021	Back Base Channel: EG, P-EG 40-45	1-5
	451-800-022	Back Base Channel: EG, P-EG 50, 55	1-5
	451-800-023	Back Base Channel: EG, P-EG-65	1-5
	451-800-024	Back Base Channel: EG, P-EG-75	1-5
H <sub>1</sub>	510-811-660	Base Insulation Kit (Includes: Front And Rear Base Panel Insulation, 4oz- Water Glass and Boiler Cement-½ Pint)	1-5
H <sub>2</sub>	451-800-040	Base Front Access Panel With Flame Rollout Switch Bracket: EG, P-EG-30, 35	1-5
	451-800-041	Base Front Access Panel With Flame Rollout Switch Bracket: EG, P-EG-40, 45	1-5
	451-800-039	Base Front Access Panel With Flame Rollout Switch Bracket: EG, P-EG-50	1-5
	451-800-042	Base Front Access Panel With Flame Rollout Switch Bracket: EG, P-EG-55	1-5
	451-800-043	Base Front Access Panel With Flame Rollout Switch Bracket: EG-65	1-5
	451-800-044	Base Front Access Panel With Flame Rollout Switch Bracket: EG-75	1-5
H <sub>3</sub>	451-800-085	Back Burner Support: EG, P-EG-30	1-5
	451-800-086	Back Burner Support: EG, P-EG-35	1-5
	451-800-087	Back Burner Support: EG, P-EG-40	1-5
	451-800-088	Back Burner Support: EG, P-EG-45	1-5
	451-800-089	Back Burner Support: EG, P-EG-50	1-5
	451-800-090	Back Burner Support: EG, P-EG-55	1-5
	451-800-092	Back Burner Support: EG, P-EG-65	1-5
	451-800-094	Back Burner Support: EG, P-EG-75	1-5
L <sub>1</sub>	389-900-103	Cover Plate For Heater Opening (Rectangular) Includes 8 Studs, Nuts and Gasket	1-5
L <sub>2</sub>	590-317-579	Gasket For Cover Plate (Rectangular)	1-5
L <sub>3</sub>	389-900-101	Cover Plate For Heater Opening (Round) Includes 6 Studs, Nuts and Gasket	1-5
L <sub>4</sub>	590-317-495	Gasket For Cover Plate (Round)	1-5
F	512-200-000	Burner, Stainless Tube, Regular (See Note 2)	1-5
F <sub>1</sub>	512-200-001	Burner, Stainless Tube With Pilot Bracket: PI System (All Sizes)	5
	512-200-001	Burner, Stainless Tube With Pilot Bracket: "PI" Systems (All Sizes); "SPL" Systems (All Sizes); "SPN" Systems (EG-75 Only) Stainless (See Note 2)	1-4
	512-200-002	Burner, Steel Tube With Pilot Bracket: "SPN" Systems (EG, P-EG-30-65 Only) Stainless	1-4
N/S	560-528-987	Main Burner Orifice, Natural Gas, 2.45mm (See Note 1)	1-5
	560-528-988	Main Burner Orifice, Propane Gas, 1.55mm - <b>(NO L/P For Series 5)</b>	1-4
J	451-800-070	Base Side Rail (2 Required)	1-5
N/S	560-340-577	Tankless Heater Nut and Stud	1-5

GAS



EG - Series 1 Through 5  
Section / Base Assembly Parts Continued

Fig. No.	Part No.	Description	Boiler Series
G	591-125-555	Manifold, EG, P-EG-30	1-5
	591-125-552	Manifold, EG, P-EG-35	1-5
	591-125-554	Manifold, EG, P-EG-40	1-5
	591-125-551	Manifold, EG, P-EG-45	1-5
	591-125-553	Manifold, EG, P-EG-50	1-5
	591-125-550	Manifold, EG, P-EG-55	1-5
	591-125-549	Manifold, EG-65	1-5
	591-125-548	Manifold, EG-75	1-5
K	510-300-013	Spill Switch With Manual Reset - 210° F, EG 30-65	1-5
N/S	592-002-030	Touch Up Paint - Blue / Gray - Low E 4.5oz Can	

**Notes:**

**(1) Order sufficient quantities to replace all orifices within a base.**

**(2) Number of burners:**

**EG-30: 2 main burners and 1 burner with pilot bracket**

**EG-35: 3 main burners and 1 burner with pilot bracket**

**EG-40: 4 main burners and 1 burner with pilot bracket**

**EG-45: 5 main burners and 1 burner with pilot bracket**

**EG-50: 6 main burners and 1 burner with pilot bracket**

**EG-55: 7 main burners and 1 burner with pilot bracket**

**EG-65: 9 main burners and 1 burner with pilot bracket**

**EG-75: 11 main burners and 1 burner with pilot bracket**

## EG - Series 5 Control Parts

Fig. No.	Part No.	Description	EG Series 5 Boiler Size							
			30	35	40	45	50	55	65	75
<b>Control Components For Water Boiler, Natural Gas - No Tankless</b>										
N/S	381-330-036	LWCO Function Disable Kit - (Includes Temperature Sensor, Sensor Harness, Label, And Instructions) - <b>CP Range - CP7499291 - CP7499308</b>								
N/S	381-330-031	Integrated Boiler Control - (Includes, Sensor Harness) - <b>Use On Boilers With A CP Range Less Than CP7499291</b>	X	X	X	X	X	X	X	X
	381-330-024	Integrated Boiler Control - <b>Use only If 381-330-035 Kit Was Already Installed, And CP Range Is Greater Than CP7499291</b>								
N/S	381-356-577	Boiler Temperature Sensor, 1/2" N.P.T	X	X	X	X	X	X	X	X
	381-356-578	Control Transformer, 24 VAC, 40 VA. Foot Mounted	X	X	X	X	X	X	X	X
	591-391-975	Wire Harness, Power, J Box To Module	X	X	X	X	X	X	X	X
	381-356-528	Circulator Harness With Molex	X	X	X	X	X	X	X	X
	591-392-006	Thermostat Harness	X	X	X	X	X	X	X	X
	591-391-990	Controls To Module Harness	X	X	X	X	X	X	X	X
	591-392-036	Temperature Sensor Wire Harness	X	X	X	X	X	X	X	X
	381-356-586	Outdoor Temperature Sensor Kit - (Includes Sensor, Wire Harness, And Instructions)	X	X	X	X	X	X	X	X
<b>Control Components For Steam Boiler - No Tankless</b>										
N/S	511-330-097	Ignition Control Module Without Molex	X	X	X	X	X	X	X	X
	510-312-166	Combination Transformer-Relay Receptacle, 120/24 VAC, 40 VA	X	X	X	X	X	X	X	X
<b>Common Components For Both Steam And Water</b>										
N/S	511-044-381	Natural Gas Valve , 1/2" X 1/2"	X	X	X	X	X			
			X	X	X	X	X			
	511-044-382	Natural Gas Valve, 3/4" X 3/4"						X	X	X
								X	X	X
	511-330-218	Pilot Assembly Kit-( Orifice, Spark and Sense Wire,and Pilot Tubing.)	X	X	X	X	X	X	X	X
	560-742-860	Pilot Tubing With Fittings 1/8" X 22 3/4"	X	X	X	X	X	X	X	X
	510-512-337	Vent Damper Motor With Molex	X	X	X	X	X	X	X	X
			X	X	X	X	X	X	X	X
591-391-795	Damper Wiring Harness	X	X	X	X	X	X	X	X	

**GAS**

## EG - Series 5 Control Parts Continued

Fig. No.	Part No.	Description	EG Series 5 Boiler Size								
			30	35	40	45	50	55	65	75	
<b>Common Parts For Both Steam And Water</b>											
N/S	381-800-475	Vent Damper Assembly-5" With Harness	X	X							
			X	X							
	381-800-476	Vent Damper Assembly-6" With Harness			X	X					
					X	X					
	381-800-477	Vent Damper Assembly-7" With Harness					X	X			
							X	X			
	381-800-478	Vent Damper Assembly-8" With Harness							X	X	
									X	X	
	512-050-230	Rollout Thermal Fuse-228° C	X	X	X	X	X	X	X	X	

## EG - Series 1 Through 5 Water Trim / Control Parts

Fig. No.	Part No.	Description
<b>Control Parts For All EG Water Boilers With Tankless Heaters</b>		
N/S	511-330-097	Ignition Control Module Without Molex
	510-312-249	Combination High Limit / Low Limit / Circulator Control With Transformer (High Limit: SPST Automatic Recycle, 140-240°F Range, 10°F Subtractive Differential) (Low Limit / Circulator Control: SPDT, Automatic Recycle, 100-200°F Range, 10-35°F Adjustable Differential)
	540-130-960	Wire Harness
	592-300-027	Immersion Well, ¾" N.P.T X 6¼" In Length
	510-312-166	Combination Transformer-Relay Receptacle, 120/24 VAC, 40 VA
<b>Tankless Heater Parts For EG Water Boilers</b>		
N/S	590-921-904	Tankless Heater For EG 35-45 Water Boiler (Includes: Heater, Gasket, Nuts and Studs) EG-30 Thru 45
	590-921-905	Tankless Heater For EG 50-55 Water boiler (Includes: Heater, Gasket, Nuts and Studs) EG-50 & 55
	590-921-901	Tankless Heater For EG 65-75 Water Boiler (Includes: Heater, Gasket, Nuts and Studs) EG- 65 & 75
	560-340-577	Stud ⅜-16 NC-2A X 1.12" Long With ⅜-16 NC Brass Nut (6 Required)
	590-317-495	Round Tankless Heater Gasket
<b>Trim Parts For All EG Water Boilers</b>		
N/S	383-600-091	ASME Pressure Relief Valve (set to relieve at 30 PSIG, ¼" N.P.T., female inlet) All Size EG's
	510-218-097	Combination Pressure-Temperature Gauge (2½" Dial, 0-75 PSIG, Long Shank, ¼" N.P.T. Back Connection) All Size EG's
	511-210-423	Drain Valve, ¾" N.P.T., 1½" Shank
	510-148-567	Automatic Air Vent, Float Type, ⅛" N.P.T.

GAS

## EG - Series 1 Through 5 Steam Trim / Control Parts

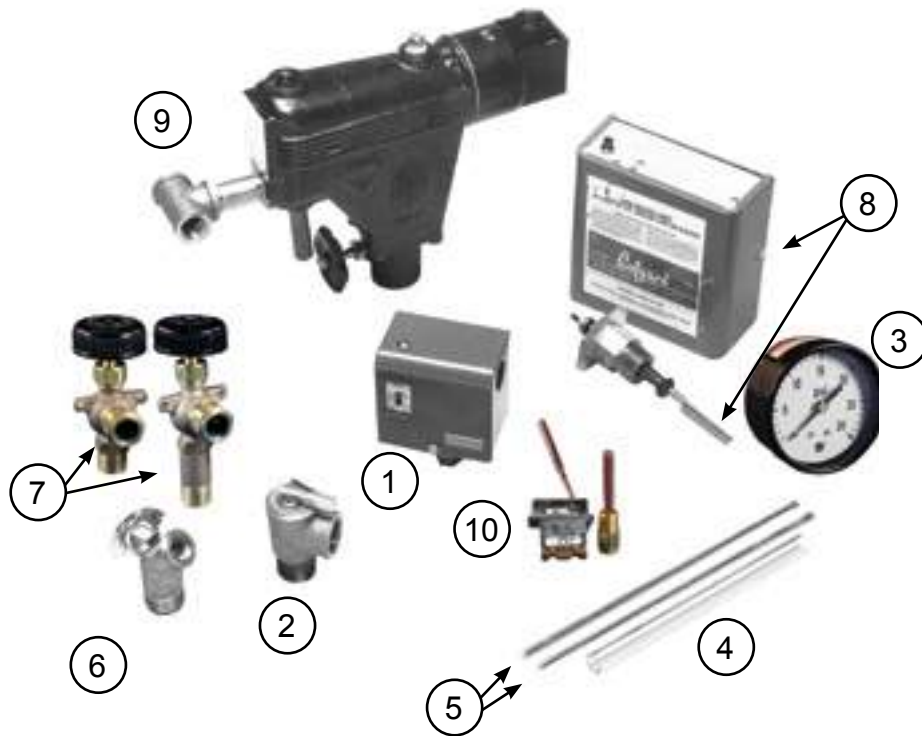


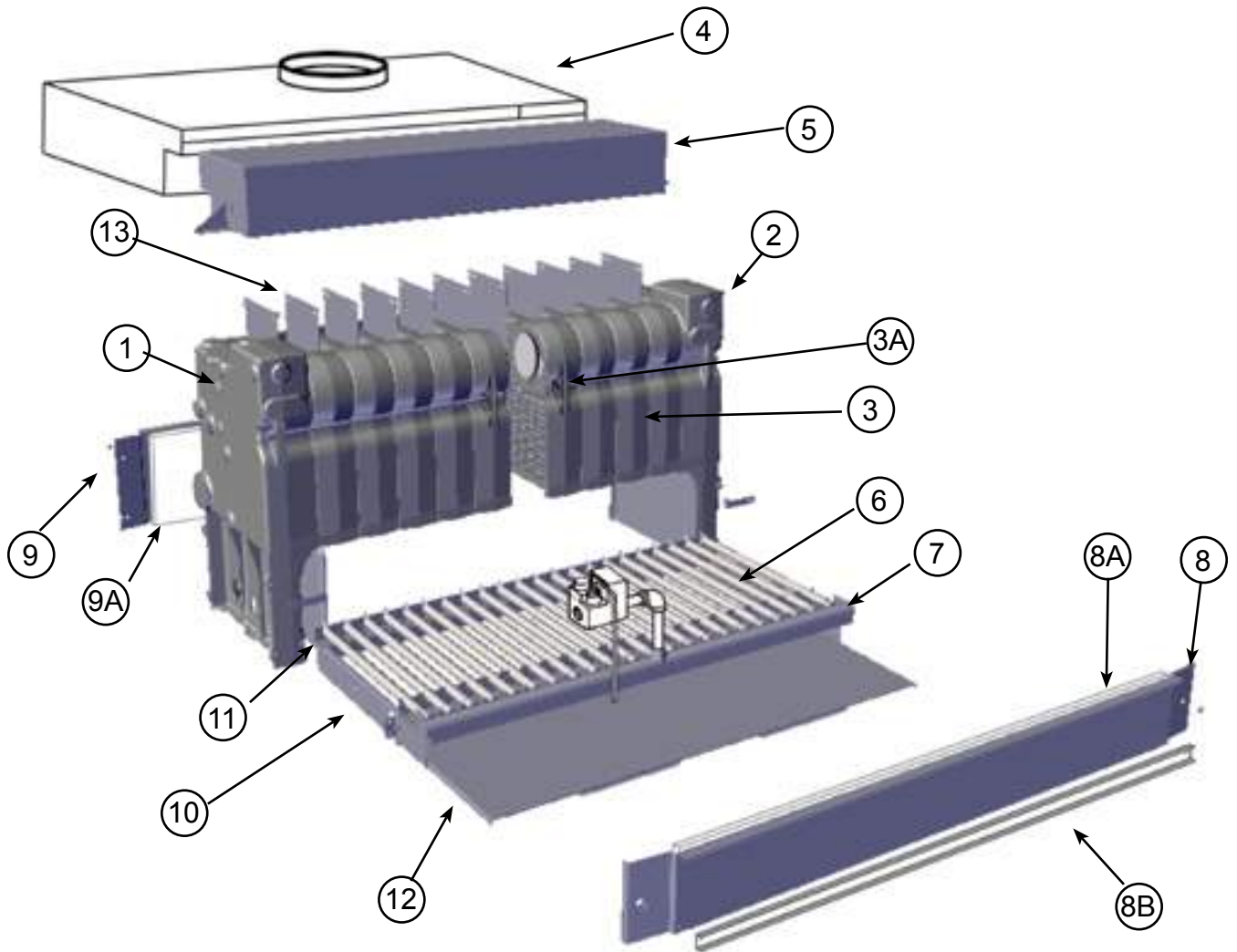
Fig. No.	Part No.	Description
1	510-312-135	High Pressure Limit Control (SPST, Automatic Recycle, 0-15 PSIG Range, 1-5 PSIG Differential, ¼" N.P.T. Bottom Connection)
2	383-600-106	ASME Steam Relief Valve (Set To Relieve At 15 PSIG, ¾" N.P.T. Male Inlet) 375 lbs Per Hour Rating
3	510-218-045	Steam Pressure Gauge (0-3- PSIG, 2½" Dial, ¼" N.P.T. Male Inlet)
4	383-600-000	Water Gauge Glass Kit (⅝" X 7⅞" With Gaskets and Brass Washers)
5	563-334-580	Water Gauge Glass Guard (3/16" X 9⅞" (2 Required))
6	511-210-423	Drain Valve, ¾" N.P.T., 1½" Shank
N/S	590-921-903	Tankless Heater Steam Boiler (Includes: Heater, Gasket, Nuts and Studs) For EG-35 Thru EG-75
<b>Water Gauge Glass Cocks For Electrode Type Low Water Cut-Off</b>		
7	510-218-145	Water Gauge Glass Cocks, ½" N.P.T. Male Inlet (Set of 2)
<b>Water Gauge Glass Cocks For # 67 Float Type Low Water Cut-Off</b>		
7	510-218-135	Water Gauge Glass Cocks, ½" N.P.T. Male Inlet (Set of 2)
<b>Electrode Type Low Water Cut-Off Components</b>		
8	510-811-403	Low Water Cut-Off, Electrode Type, SPDT, 24 Volt, ¾" Male N.P.T, With Instructions, Adapter, and Bushing
N/S	540-130-962	Wire Harness, Probe LWCO Only
	560-640-696	90° Syphon, ¼" N.P.T., Brass

EG - Series 1 Through 5  
Steam Trim / Control Parts Continued

Fig. No.	Part No.	Description
<b>Float Type Low Water Cut-Off Components For EG Steam Boilers</b>		
9	511-114-494	Float Type Low Water Cut-Off (SPDT, Automatic Recycle, 15 PSIG Rated, 24 or 120 Volt Contact Rating, ½" N.P.T. With Quick Hook-up Fittings) For EG Steam Except Millivolt
N/S	540-130-961	Wire Harness, Float LWCO Only
<b>Control Components For Steam Boiler With Tankless Heater</b>		
10	510-312-250	Operating Temperature Control (SPST, Automatic Recycle, 140-250°F Range, With ¾" N.P.T. Control Well, 10° Fixed Subtractive Differential)
N/S	511-330-097	Ignition Control Module Without Molex
	510-312-166	Combination Transformer-Relay Receptacle, 120/24 VAC, 40 VA

GAS

## EGH - Series 1 Through 5 Section / Base Assembly Parts



GAS

Fig. No.	Part No.	Description	Boiler Series
1	311-800-014	Left Hand End Section With Heater Opening 1814	1-5
N/S	311-800-007	Left Hand End Section Without Heater Opening 1813	1-5
2	311-800-022	Right Hand End Section With Heater Opening 1819	1-5
N/S	311-800-032	Right Hand End Section Without Heater Opening 18118	1-5
3	311-800-010	Intermediate Section 1815	1-5
3A	311-800-026	Intermediate Section With Tie Rod Lugs 1817	1-5
N/S	321-711-100	Section Assembly, Complete: EGH-85 With Heater Opening	1-5
	321-711-105	Section Assembly, Complete: EGH-85 Without Heater Opening	1-5
	321-711-110	Section Assembly, Complete: EGH-95 With Heater Opening	1-5
	321-711-115	Section Assembly, Complete: EGH-95 Without Heater Opening	1-5
	321-711-120	Section Assembly, Complete: EGH-105 With Heater Opening	1-5
	321-711-125	Section Assembly, Complete: EGH-105 Without Heater Opening	1-5

## EGH - Series 1 Through 5 Section / Base Assembly Parts Continued

N/S	321-711-130	Section Assembly, Complete: EGH-115 With Heater Opening			1-5
	321-711-135	Section Assembly, Complete: EGH-115 Without Heater Opening			1-5
	321-711-140	Section Assembly, Complete: EGH-125 With Heater Opening			1-5
	321-711-145	Section Assembly, Complete: EGH-125 Without Heater Opening			1-5
	381-800-667	Section Replacement Kit (Includes: (1) 3" and 6" Elastomer Seal, 2 Pieces-¼" Rope Seal, 1-2.8 oz Tube Silicone) Order 1 Per Joint Between Sections			1-5
	592-800-010	3" Dia. Bottom Elastomer Seal (1 Per Joint)			1-5
	592-800-007	6" Dia. Top Elastomer Seal (1 Per Joint)			1-5
	560-234-465	½" x 7" Tie Rod Without Nut (2 Per Boiler)			1-5
	560-234-472	½" x 17" Tie Rod Without Nut ((4) For EGH-85, (2) For EGH-95)			1-5
	560-234-477	½" x 21¼" Tie Rod Without Nut ((2) For EGH-95, EGH-115; (4) For EGH-105)			1-5
	560-234-482	½" x 25¼" Tie Rod Without Nut ((2) For EGH-115, (4) For EGH-125)			1-5
	561-928-221	½" Nut (2 Per Tie Rod) - Purchase Locally			1-5
	562-248-668	½" Lock Washer (1 Per Tie Rod)			1-5
	591-602-913	Retort Cement (1 Quart)			1-5
	591-706-214	Flue Brush, 124 DMG			1-5
4	450-206-240	Draft Hood: EGH-85 --- 30.81"      Left To Right      9" Flue Opening			1-5
	450-206-241	Draft Hood: EGH-95 --- 35.06"             10"			1-5
	450-206-242	Draft Hood: EGH-105 --- 39.31"             10"			1-5
	450-206-243	Draft Hood: EGH-115 --- 43.56"             12"			1-5
	450-206-244	Draft Hood: EGH-125 --- 47.81"      ▼      12"      ▼			1-5
5	450-014-750	Collector Hood: EGH-85 --- 30¾"      Left To Right			1-5
	450-014-751	Collector Hood: EGH-95 --- 35"			1-5
	450-014-752	Collector Hood: EGH-105 --- 39¼"			1-5
	450-014-753	Collector Hood: EGH-115 --- 43½"			1-5
	450-014-754	Collector Hood: EGH-125 --- 47¾"      ▼			1-5
6	512-200-000	Burner, Stainless Tube, Regular (See Note 2) ---- 1" Diameter X 21¾" Long			1-5
N/S	512-200-001	Burner, Stainless Tube With Pilot Bracket (See Note 2) --- 1" Diameter X 21¾" Long			1-5
7	591-125-543	Manifold: EGH-85			1-5
	591-125-544	Manifold: EGH-95			1-5
	591-125-545	Manifold: EGH-105			1-5
	591-125-546	Manifold: EGH-115			1-5
	591-125-547	Manifold: EGH-125			1-5
8		Front Base Panel: (In Base Panel Carton)      Must Know Boiler Series			
8A		Front Base Insulation (In Base Panel carton)			
8B		Base Front Access Panel: (In Base Panel Carton)			
9		Back Base Panel: (In Base Panel Carton)			
9A		Back Base Insulation (In Base Panel Carton)			
N/S		Back Base Channel: (In Base Panel Carton)      ▼      ▼			
10	451-800-070	Side Rail For Burner Pan With Bracket For Burner Pan (2 Required)			1-5



## EGH - Series 1 Through 5 Section / Base Assembly Parts Continued

11	451-800-095	Back Burner Support: EGH-85	29 $\frac{3}{8}$ " In Length	1-5
	451-800-096	Back Burner Support: EGH-95	33 $\frac{5}{8}$ "	1-5
	451-800-097	Back Burner Support: EGH-105	37 $\frac{7}{8}$ "	1-5
	451-800-098	Back Burner Support: EGH-115	42 $\frac{1}{8}$ "	1-5
	451-800-099	Back Burner Support: EGH-125	46 $\frac{3}{8}$ " ▼	1-5
N/S	381-700-240	Base Panel Carton – EGH-85 (Includes: Front Base Insulation, Front Base Panel, Base Front Access Panel, Back Base Insulation, Back Base Panel and Back Base Channel)		1-4
	381-700-245	Base Panel Carton – EGH-95 (Includes: Front Base Insulation, Front Base Panel, Base Front Access Panel, Back Base Insulation, Back Base Panel and Back Base Channel)		1-4
	381-700-250	Base Panel Carton – EGH-105 (Includes: Front Base Insulation, Front Base Panel, Base Front Access Panel, Back Base Insulation, Back Base Panel and Back Base Channel)		1-4
	381-700-255	Base Panel Carton – EGH-115 (Includes: Front Base Insulation, Front Base Panel, Base Front Access Panel, Back Base Insulation, Back Base Panel and Back Base Channel)		1-4
	381-700-260	Base Panel Carton – EGH-125 (Includes: Front Base Insulation, Front Base Panel, Base Front Access Panel, Back Base Insulation, Back Base Panel and Back Base Channel)		1-4
	389-900-103	Rectangular Tankless Cover Plate Kit With 8 Studs and Nuts and Tankless Gasket		1-5
	590-317-579	Gasket For Cover Plate (Rectangular)		1-5
	389-900-101	Cover Plate For Heater Opening (Round) Includes 6 Studs, Nuts and Gasket		1-5
	590-317-495	Gasket for cover plate (round)		1-5
	451-800-120	Burner Shields (Rollout): EGH-85	29 $\frac{3}{8}$ " In Length	1-5
	451-800-121	Burner Shields (Rollout): EGH-95	33 $\frac{5}{8}$ "	1-5
	451-800-122	Burner Shields (Rollout): EGH-105	37 $\frac{7}{8}$ "	1-5
	451-800-123	Burner Shields (Rollout): EGH-115	42 $\frac{1}{8}$ "	1-5
	451-800-124	Burner Shields (Rollout): EGH-125	46 $\frac{3}{8}$ " ▼	1-5
	560-528-987	Main Burner Orifice, Natural Gas, 245mm (See note 1)		1-4
	560-528-988	Main Burner Orifice, Propane Gas, 155mm (See Note 1)		1-4
	592-002-030	Touch Up Paint - Blue / Gray - Low E 4.5 oz Can		

**Notes:**

**(1) Order sufficient quantities to replace all orifices within a base.**

**(2) Number of burners:**

**EGH-85: 13 main burners and 1 burner with pilot bracket**

**EGH-95: 15 main burners and 1 burner with pilot bracket**

**EGH-105: 17 main burners and 1 burner with pilot bracket**

**EGH-115: 19 main burners and 1 burner with pilot bracket**

**EGH-125: 21 main burners and 1 burner with pilot bracket**

## EGH - Series 5 Only Section / Base Assembly Parts

N/S	381-700-241	Base Panel Carton – EGH-85 (Includes: Front Base Insulation, Front Base Panel, Base Front Access Panel, Back Base Insulation, Back Base Panel, Refractory Legs and 3oz. RTV Silicone Sealant)		Series 5	
	381-700-246	Base Panel Carton – EGH-95 (Includes: Front Base Insulation, Front Base Panel, Base Front Access Panel, Back Base Insulation, Back Base Panel, Refractory Legs and 3oz. RTV Silicone Sealant)		Series 5	
	381-700-251	Base Panel Carton – EGH-105 (Includes: Front Base Insulation, Front Base Panel, Base Front Access Panel, Back Base Insulation, Back Base Panel, Refractory Legs and 3oz. RTV Silicone Sealant)		Series 5	
	381-700-256	Base Panel Carton – EGH-115 (Includes: Front Base Insulation, Front Base Panel, Base Front Access Panel, Back Base Insulation, Back Base Panel, Refractory Legs and 3oz. RTV Silicone Sealant)		Series 5	
	381-700-261	Base Panel Carton – EGH-125 (Includes: Front Base Insulation, Front Base Panel, Base Front Access Panel, Back Base Insulation, Back Base Panel, Refractory Legs and 3oz. RTV Silicone Sealant)		Series 5	
12	451-800-136	Base Shield- EGH-85	28 <sup>3</sup> / <sub>4</sub> "	In Length	Series 5
	451-800-137	Base Shield- EGH-95	33 "		Series 5
	451-800-138	Base Shield- EGH-105	37 <sup>1</sup> / <sub>4</sub> "		Series 5
	451-800-139	Base Shield- EGH-115	41 <sup>1</sup> / <sub>2</sub> "		Series 5
	451-800-140	Base Shield- EGH-125	45 <sup>3</sup> / <sub>4</sub> "	▼	Series 5
13.	460-003-790	Flue Baffle---- One Per Joint			Series 5
N/S	560-528-975	Main Burner Orifice, Natural Gas, 2.30mm	(See Note 1)		Series 5
	560-528-972	Main Burner Orifice, Propane Gas, 1.4mm	(See Note 1)		Series 5
	591-222-183	Refractory Leg---Left and Right			Series 5

GAS

## EGH - Series 5 Intermittent Ignition Parts

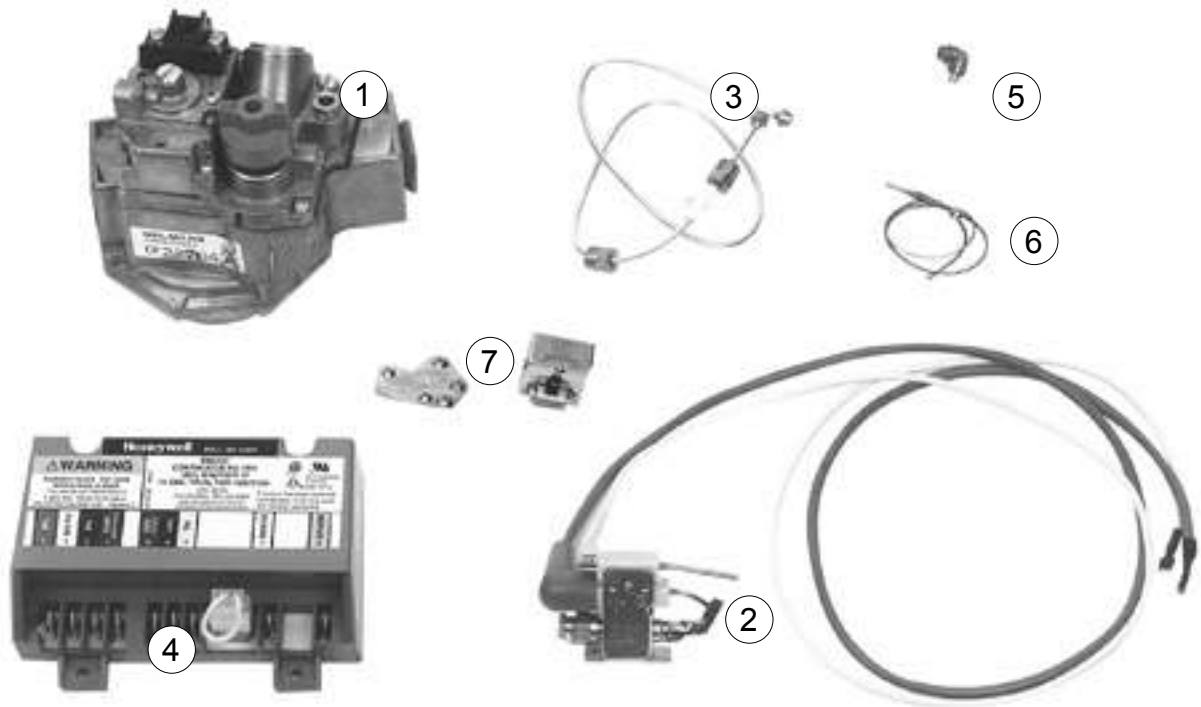


Fig. No.	Part No.	Description	EGH Series 4 Boiler Size				
			85	95	105	115	125
1	511-044-286	*Combination Gas Control Valve, ¾" x 1"N.P.T., 24 Volt	X	X			
	511-044-287	*Combination Gas Control Valve, 1" x 1"N.P.T., 24 Volt			X	X	X
2	511-330-242	NG PIN Pilot Burner Assembly, With 34" Tubing, Pilot Burner, Orifice, Sensing Lead, Ignition Cable, and ¼" Adapter	X	X	X	X	X
3	560-742-865	Pilot Tubing Aluminum ½" OD x 34" Long ,With Compression Fittings	X	X	X	X	X
4	511-330-097	Ignition Control Module Without Molex 24 Volt	X	X	X	X	X
N/S	540-130-966	Wiring Harness (In Envelope Assembly) For Water Boilers Without Tankless Heater Only	X	X	X	X	X
	540-130-969	Wiring Harness (In Envelope Assembly) For Water Boilers With Tankless Heater Only	X	X	X	X	X
	540-130-967	Wiring Harness (In Envelope Assembly) For Steam Boilers With Float LWCO Only	X	X	X	X	X
	540-130-968	Wiring Harness (In Envelope Assembly) For Steam Boilers With Probe LWCO Only	X	X	X	X	X
	510-811-411	Natural To Propane Conversion Kit EGH 85-95 only	X	X			
	510-811-412	Natural To Propane Conversion Kit EGH 105-125 only			X	X	X

**\*Combination gas valve Includes: manual gas cock, redundant gas valves, main pressure regulator, pilot take-off with filter, pilot adjustment**

## EGH - Series 5 Intermittent Ignition LP Gas Parts

Fig. No.	Part No.	Description	EGH Series 4 Boiler Size				
			85	95	105	115	125
N/S	511-246-320	¾" Hand Valve With ⅛" Tapping	X	X			
	511-.426-325	1" Hand Valve With ⅛" Tapping			X	X	X
1	511-044-278	LP Gas Valve, ¾" x 1" Spark Pilot	X	X			
	511-044-279	LP Gas Valve, 1" x 1" Spark Pilot			X	X	X
3	560-742-865	⅛" x 34" Pilot Tubing For Spark Pilot Burner	X	X	X	X	X
	511-330-186	LP Standing Pilot Burner (Includes: Orifice and Pilot Burner)	X	X	X	X	X
3	560-528-957	Propane Gas Pilot Orifice, .010 Dia. (For Q0327 Pilot, Above)	X	X	X	X	X
5	511-246-340	⅛" x ¼" Manual Pilot Shut Off Valve	X	X	X	X	X
6	511-724-254	Thermocouple, Screw In, 30" In Length	X	X	X	X	X
7	511-330-229	Pilot Switch Box For Standing Pilot	X	X	X	X	X
<b>EGH CSD-1 Intermittent Ignition Natural Gas Only</b>							
N/S	511-330-086	Control Module, 1 Retry With Alarm Contacts			X	X	X
	510-350-226	Impulse Relay			X	X	X
	511-624-580	Push Button Switch			X	X	X
	511-624-581	Red Lens Cover			X	X	X
		Lamp, 24 Volt--Available Locally			X	X	X
	511-044-287	Combination Gas Valve, 1" x 1", 24 Volt			X	X	X
	511-246-290	Hand Valve, 1"			X	X	X
	511-246-325	Hand Valve, 1" With two ⅛" N.P.T Taps			X	X	X
	511-246-339	Pilot Shut-off Valve, ⅛" N.P.T x ¼" Compression			X	X	X
	510-933-195	Pilot Regulator, ¼" N.P.T			X	X	X
	511-044-039	Pilot Solenoid Valve ¼" N.P.T			X	X	X
	591-391-887	Wiring Harness, Gravity Return Steam			X	X	X
	540-130-976	Wiring Harness, Pumped Steam Return, With Wiring Diagram					

**GAS**

## EGH - Series 5 Common Component Parts

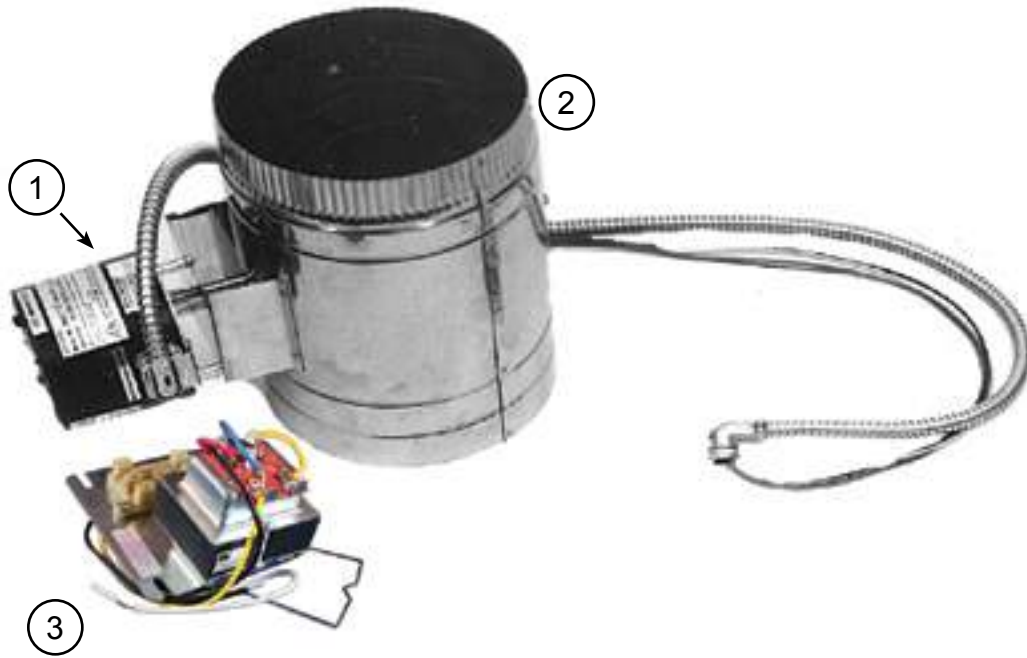
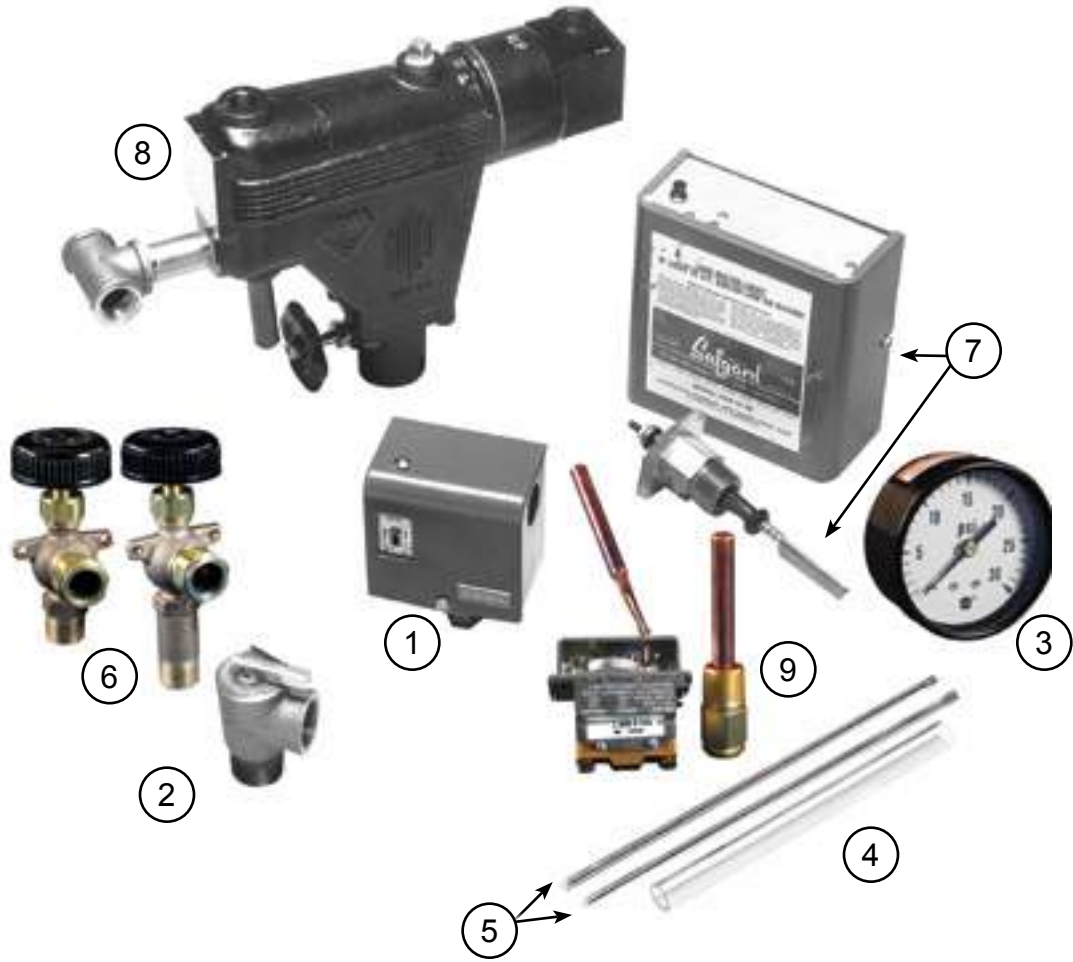


Fig. No.	Part No.	Description	EGH Series 4 Boiler Size				
			85	95	105	115	125
N/S	591-391-795	Damper Wiring Harness With Molex	X	X	X		
1	510-512-337	Vent Damper Motor With Molex	X	X	X	X	X
			X	X	X	X	X
2	381-800-445	Vent Damper Assembly, 9"	X				
			X				
	381-800-446	Vent Damper Assembly, 10"		X	X		
				X	X		
3	510-312-166	Combination Transformer Relay Receptacle, 120/24V, 40VA				X	X
						X	X

# EGH - Series 5 Steam Trim



GAS

## EGH - Series 5 Steam Trim Parts

Fig. No.	Part No.	Description	EGH Series 4 Boiler Size				
			85	95	105	115	125
<b>Trim For All EGH Steam Boilers</b>							
1*	510-312-135	High Pressure Limit Control, SPST, Auto Recycle, 0-15 PSIG Range, 1-5 PSIG Additive Differential, ¼" N.P.T. Bottom Connection	X	X	X	X	X
2	383-600-105	Steam Relief Valve, 15 PSIG, With ¼" N.P.T. Male Inlet 450 LBH	X	X	X	X	X
			X	X	X	X	X
3	510-218-045	Pressure Gauge 0-30 PSIG, 2½" Dial, ¼" N.P.T. Bottom Mount	X	X	X	X	X
4	383-600-000	Water Gauge Glass Kit, ⅝" x 7⅞" With Gaskets and Brass Washers	X	X	X	X	X
5	563-334-580	Water Gauge Glass Guard, ⅝" x 9⅞" (2 Required)	X	X	X	X	X
N/S	511-210-423	Drain Valve, ¾" N.P.T. 1½" Shank	X	X	X	X	X
<b>Probe Type Low Water Cut-off Components For EGH Steam Boilers</b>							
6	510-218-145	Water Gauge Glass Cocks, Set, ½" N.P.T., Male Inlet, Long Stem	X	X	X	X	X
			X	X	X	X	X
7*	511-114-515	Low Water Cut-off, SPDT, ¾" Male Electrode Type, 24 Volt	X	X	X	X	X
<b>Float Type Low Water Cut-off Components For EGH Steam Boilers</b>							
6	510-218-135	Water Gauge Glass Cocks, Set, ½" N.P.T., Female Inlet, Standard Stem	X	X	X	X	X
			X	X	X	X	X
8	511-114-494	Low Water Cut-off, SPDT, ½" N.P.T. Float Type, 24 Volt	X	X	X	X	X
<b>Tankless Heater Operating Temperature Control For EGH Steam Boilers</b>							
9	510-312-250	Operating Temperature Control, SPST, Auto Recycle, 140-240°F Subtractive differential With ¾" N.P.T. Well	X	X	X	X	X
			X	X	X	X	X
N/S	590-921-903	Tankless Heater – Steam Boiler (Includes: Heater, Gasket, Nuts And Studs)	X	X	X	X	X
	590-317-579	Gasket For Tankless Heater Opening					

GAS

\*Alternate components

\* Two high limits used with EGH-85 and EGH-95 standing pilot steam boilers

## SlimFit Series 1, 2 & 3 Jacket Parts

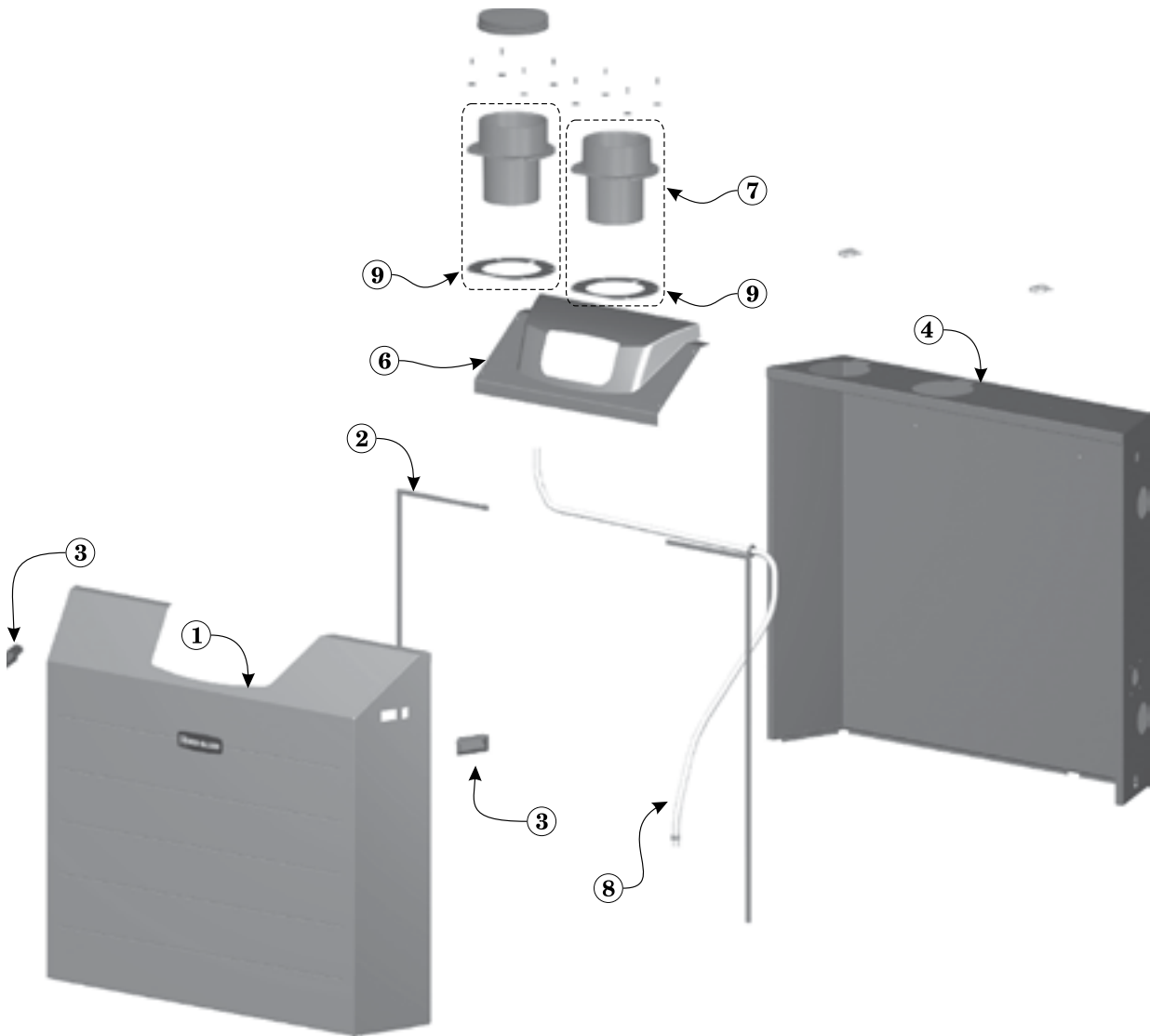


Fig. No	Part No.	Description
1	383-600-052	Jacket Front Door
2	383-600-022	Door Seal
3	383-500-611	Handle (2 Required)
4	383-600-050	Black Jacket-(Includes Jacket, Grommets, Gasket, and Hardware)
N/S	383-600-053	Jacket Seal Kit (Includes: Base Seal, Door Seal, Grommets and Gaskets)
5	383-600-054	Plastic Top Cover (Includes: Cover, Gasket and Hardware)
7	593-000-055	Flue Outlet Adapter Extended Top
	593-000-052	Air Inlet Adapter
8	383-600-023	Flue Pipe Drain Hose Kit (Includes: Hose From Flue Adapter To Heat Exchanger Condensate Outlet and Hose Clamp)
9	590-300-016	Flue Pipe Adapter Gasket
	383-600-083	Vent Adapter Kit (Fas-N-Seal, 6" Only, S.S.)
N/S	592-002-033	Touch Up Paint - Black - Low E 4.5oz Can
	592-200-032	Touch Up Paint - Putty - Low E 4.5oz Can



## SlimFit Series 1, 2 & 3 - Heat Exchanger Parts

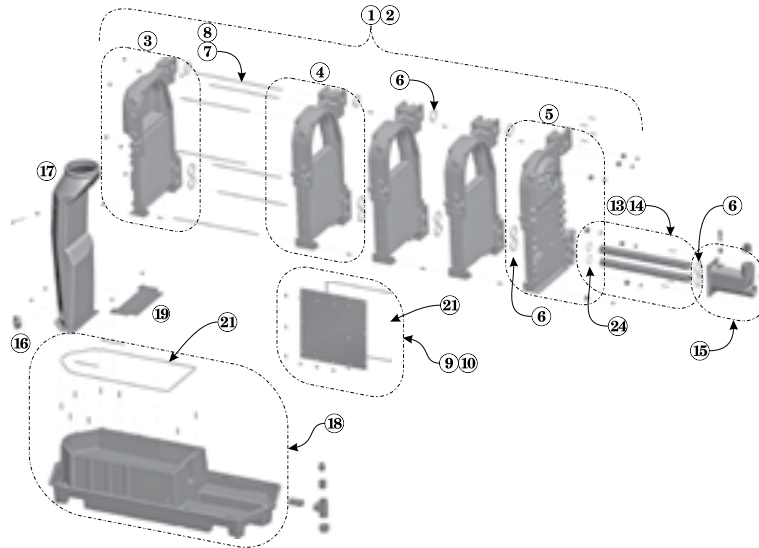
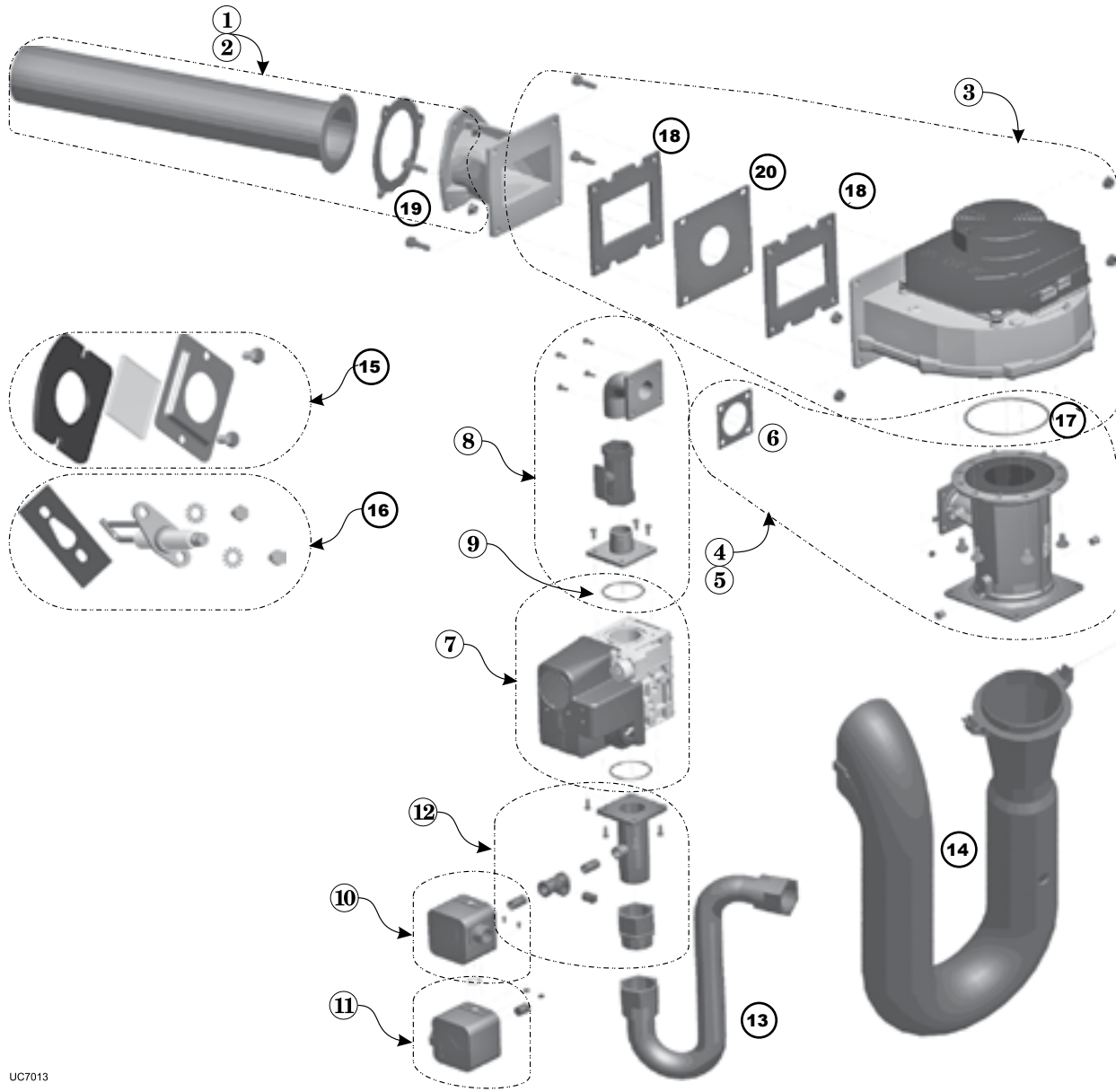


Fig. No	Part No.	Description	Boiler Models
1	383-600-029	5 Section Heat Exchanger Assembly - (Complete)	550
2	383-600-028	6 Section Heat Exchanger Assembly - (Complete)	750
3	383-600-036	Left End Section Replacement Kit (Includes: Section, O-Rings, Sealing Cord & Hardware)	550/750
4	383-600-037	Intermediate Section Replacement Kit (Includes: Section, O-Rings, Sealing Cord & Hardware)	550/750
5	383-600-038	Right End Section Replacement Kit (Includes: Section, O-Rings, Sealing Cord & Hardware)	550/750
6	590-318-039	Section/Manifold O-ring, 60-mm (Single O-ring Only)	550/750
7	560-134-510	5 Section Draw Rod Kit (Includes Draw Rods, Nuts, and Washers)	550
8	560-134-511	6 Section Draw Rod Kit (Includes Draw Rods, Nuts, and Washers)	750
9	383-600-040	5 Section HX Cover Plate Kit (Includes: Plate, Nuts, Cord & Silicone RTV Sealant)	550
10	383-600-041	6 Section HX Cover Plate Kit (Includes: Plate, Nuts, Cord & Silicone RTV Sealant)	750
N/S	383-600-033	5 Section Supply Distribution Tube Kit (Distribution Tube, O-Ring and Nuts)	550
	383-600-032	6 Section Supply Distribution Tube Kit (Distribution Tube, O-Ring and Nuts)	750
11	383-600-031	5 Section Return Distribution Tube Kit (Distribution Tube, O-Rings and Nuts)	550
12	383-600-030	6 Section Return Distribution Tube Kit (Distribution Tube, O-Rings and Nuts)	750
13	383-600-034	Return Manifold Casting Kit (Includes: Manifold, O-ring and Nuts)	550/750
14	561-444-101	Inspection Plug	550/750
15	383-600-025	Aluminum Flue Pipe Kit (Includes Flue Pipe, Inspection Plug, Cord, RTV Silicone, & Nuts)	550/750
16	383-600-026	Plastic Base Assembly Kit (Includes: Base, Cord, Silicone RTV Sealant, hardware)	550/750
17	383-600-027	Base Cover Plate (5-Section Only)	550/750
N/S	383-600-021	Base Seal Kit (Base Sealing Gasket Cord)	550/750
18	383-600-020	Red Silicone Cord Kit (Used For Cover Plate and Base)	550/750
N/S	513-000-001	Tube of Silicone RTV, High Temperature, Red	550/750
	513-000-000	Tube of Silicone RTV, High Adhesive, Black	550/750
19	590-318-040	Return Distribution Tube O-ring, 45 mm	550/750
N/S	383-600-039	Heat Exchanger O-ring Replacement Kit (Not shown) (Includes: (18) 60-mm O-Rings (Item 6); (2) 45-mm O-Rings (Item 24); Sealing Cord; and Silicone RTV Sealant)	550/750
	383-600-081	Condensate Trap Kit (Includes Trap, and PVC Fittings)	
	560-340-572	Cover Plate Stud, M8 - 1.25 x 36mm	
	561-928-451	Cover Plate Nuts, M8 - 1.25 - Purchase Locally	
	560-340-582	Burner, Supply & Return Manifold Stud, M8 - 1.25 x 40mm	
	561-928-260	Burner, Supply & Return Manifold Nut, Flanged, Serrated, M8 - 1.25	

# SlimFit Series 1, 2 & 3 Burner / Blower / Venturi / Gas Train



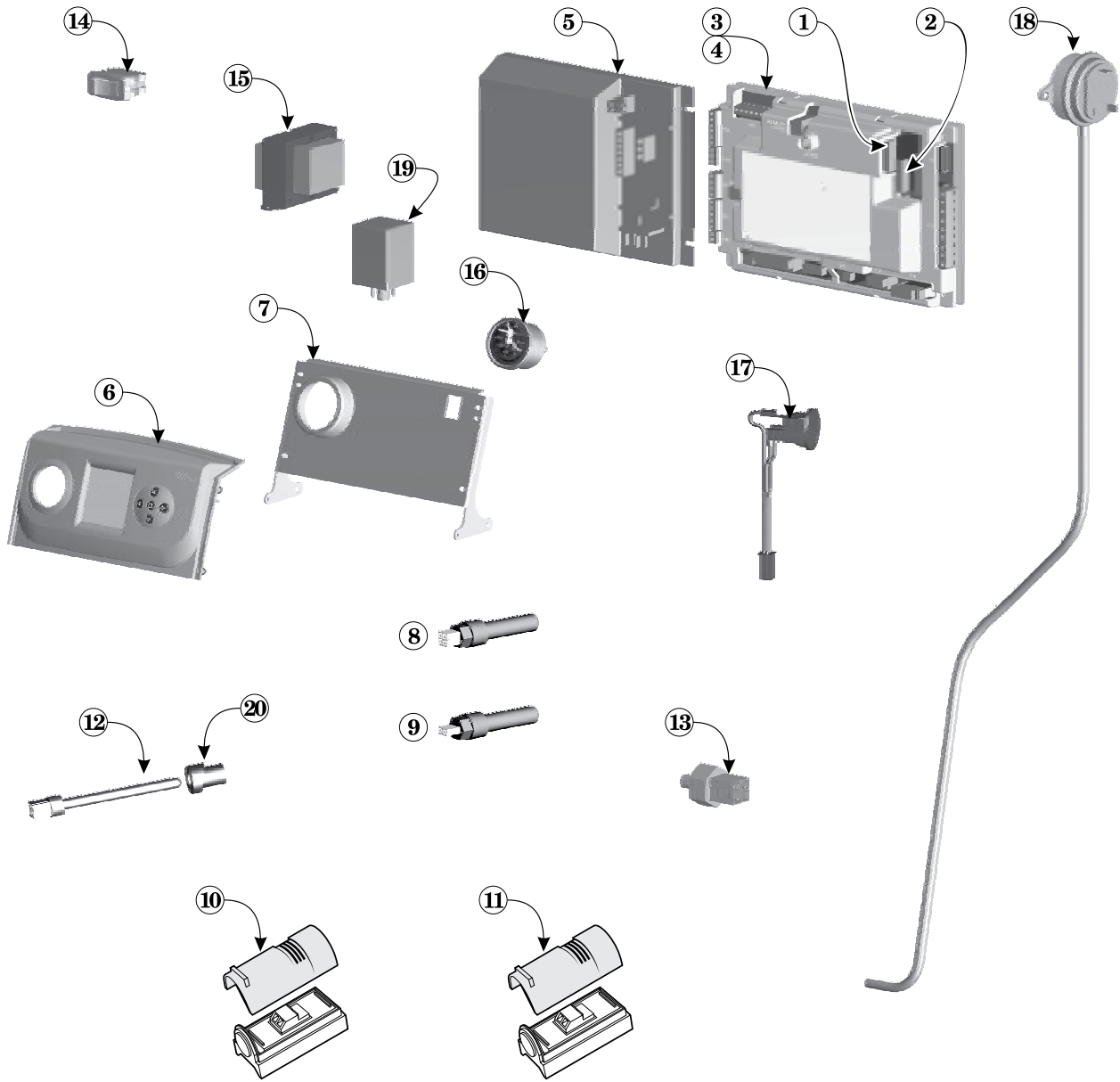
UC7013

GAS

## SlimFit Series 1, 2 & 3 Burner / Blower / Venturi / Gas Train Parts

Fig. No	Part No.	Description
1	383-600-044	5 Section Burner Replacement Kit (Includes: Burner, Gasket and Nuts)
2	383-600-043	6 Section Burner Replacement Kit (Includes: Burner, Gasket and Nuts)
3	383-600-045	Blower Assembly Kit (Includes: Blower, Gasket, O-ring and Hardware)
4	383-600-067	5 Section Venturi Replacement Kit (Includes: Venturi, O-ring and Gasket)
5	383-600-068	6 Section Venturi Replacement Kit (Includes: Venturi, O-ring and Gasket)
6	590-300-022	Venturi To Gas Pipe Gasket
7	383-600-066	Gas Valve Replacement Kit (Includes: Gas Valve Only)
8	383-600-046	Gas Valve To Venturi Piping Kit (Includes: Piping, Gasket, O-ring and Hardware)
9	590-318-042	O-ring, Gas Valve To Adapter Pipe
10	383-600-048	High Gas Pressure Switch Replacement Kit (Includes: Switch and ¼" Nipple)
11	383-600-049	Low Gas Pressure Switch Replacement Kit (Includes: Switch and ¼" Plug)
12	383-600-047	Gas Pressure Switch Piping
13	560-900-021	Flexible Gas Line -- 1¼" N.P.T. X 26" Length
14	383-600-112	Air Silencer - (Includes - U Type Clip With Barb, Air Silencer, and Instructions)
15	383-500-020	Inspection Glass Kit (Includes: Retainer, Glass, Gasket and Screws)
N/S	383-500-619	Ignition Cable Kit
16	383-600-070	Ignition Electrode Kit (Includes: Ignitor, Gasket and hardware)
17	590-318-041	Venturi-To-Blower O-ring (Included In Item 4 and Item 5)
18	590-300-018	Blower Outlet Gasket (Included In Item 3)
19	590-300-011	Burner Gasket (Included In Item 1 and Item 2)
20	383-600-078	Blower Orifice Plate For Ultra-550 (Used For Both Natural Gas and Propane With Gasket)
		Blower Orifice Plate For Ultra-750 (Used only On Ultra-750 Propane) In Conversion Kit Only

# SlimFit Series 1, 2 & 3 Controls



GAS

## SlimFit Series 1, 2 & 3 Control Parts

Fig. No	Part No.	Description
1	383-500-603	3-Amp, Fast-Blow ATO (5 Fuses)
2	383-500-604	12-Amp, Fast-Blow AG (5 Fuses)
3	383-600-062	CSD-1 U-Control Module (Includes Replacement Instructions) - <b>Series 1</b>
4	383-500-658	Non-CSD-1 U-Control Module (Includes Replacement Instructions) - <b>Series 1</b>
5	383-600-060	Expansion Module - <b>Series 1</b>
6	383-500-659	Display Board Assembly - <b>Series 1</b>
7	383-600-042	Display Bracket Kit
8	383-600-072	Supply Temperature Sensor Replacement Kit, Dual Sensor (Sensor Only) -12Kohm, ¼" N.P.T
9	383-600-071	Return Temperature Sensor Replacement Kit, Single Sensor and Bushing -12Kohm, ¼" N.P.T
10	383-500-125	Outdoor Temperature Sensor--12Kohm
11	383-500-601	System Temperature Sensors -- 12Kohm
12	383-500-600	Flue Temperature Sensor Replacement Kit (Sensor and Grommet) -- 12Kohm)
13	383-500-602	Heat Exchanger Temperature Sensor --12Kohm
14	383-500-205	On/Off Power Switch -- 16A@125 Volt
15	383-500-628	Transformer, 120V/24V, 50VA
16	570-218-054	Pressure/Temperature Gauge Assembly - 120 PSI
17	591-391-959	120 Volt, 3-Wire Receptacle, Pre-Wired
18	383-600-073	Air Pressure Switch Kit (Includes Switch, Tube and Mounting Screws) 3.25" W.C.
N/S	562-302-525	Hose Barb For Air Pressure Switch Sensing Tube Connection -- ⅛" RP
19	570-350-230	Blower Power Relay -- DPDT,10A-120 Volt
N/S	383-500-642	Ultra U-Control Terminal Block Kit -- Includes Screwdriver
	383-500-633	Expansion Module To U-Control Wire Harness, RS485 - Connects To EP5 To Display
	591-391-961	Expansion Module To Display Harness - Connects From EP6 To P9
	383-600-057	Upper Line Voltage Wire Harness (EP2, EP4, Power Input and Blower Relay)
	591-391-958	Lower Line Voltage Wire Harness - Connects Blower, Gas Valve And Gas Pressure Switches
	383-600-058	Upper Low Voltage Wire Harness - <b>Series 1</b> - Connects To P12, P8, P7, And P5
	383-600-059	Gas Pressure Switch Harness - Connects From Gas Pressure Switches To Harness
	591-391-956	Lower Low Voltage Wire Harness (P4 Through P9 and Others)
	591-391-960	Gas Valve Harness - Connects From Gas Valve To Harness
	383-500-641	Jumper For Low Voltage Terminal Blocks ( 5 Jumpers)
20	590-318-011	Flue Temperature Sensor Gasket
<b>Conversion - Slimfit Series 1 To Slimfit Series 2 Only - 550/750</b>		
N/S	383-600-164	Complete Conversion Kit From Series-1 To Series-2 -(Includes Evergreen Control Module, Expansion Board, Display, Harnesses, Manuals, and Instructions.
<b>Individual Series 2 Conversion Kit Parts - 550/750</b>		
N/S	383-600-162	Evergreen Control Module Kit - (Includes Evergreen Control Module and Instructions)
	383-600-160	Expansion Board Kit - (Includes Expansion Control Module and Instructions)
	383-600-159	Display Panel Kit - (Includes Display and Instructions)
	591-391-936	Wiring Harness - Control To Display

GAS

## SlimFit Series 1, 2 & 3 Piping Parts

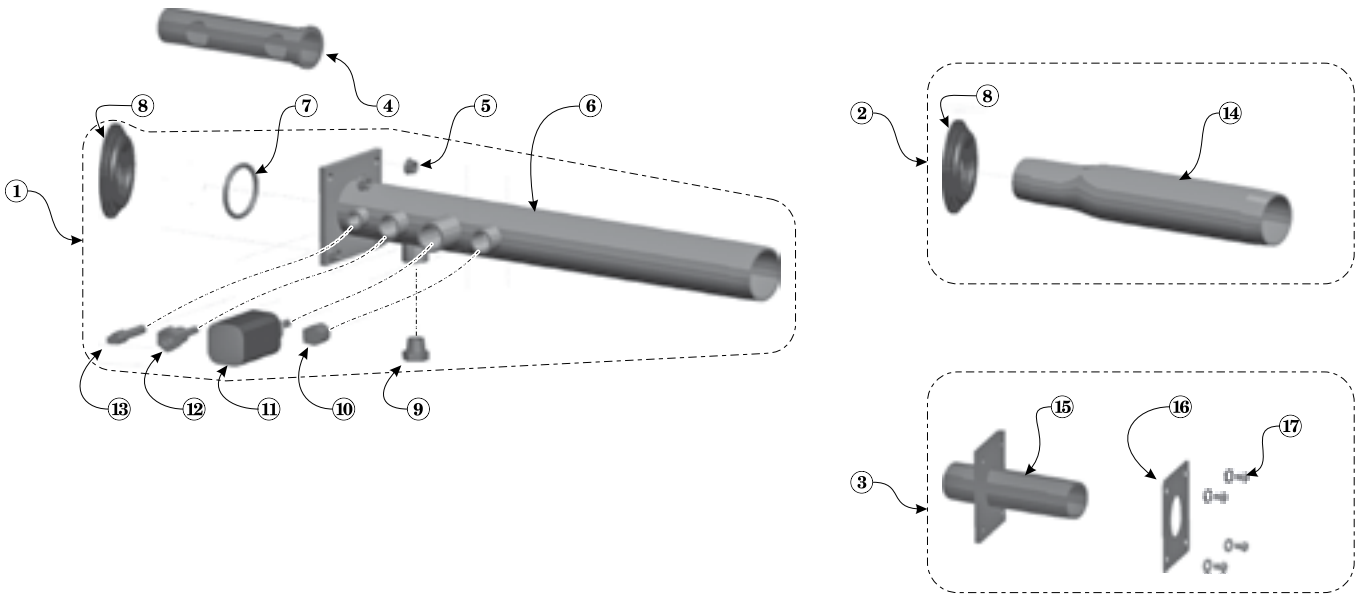
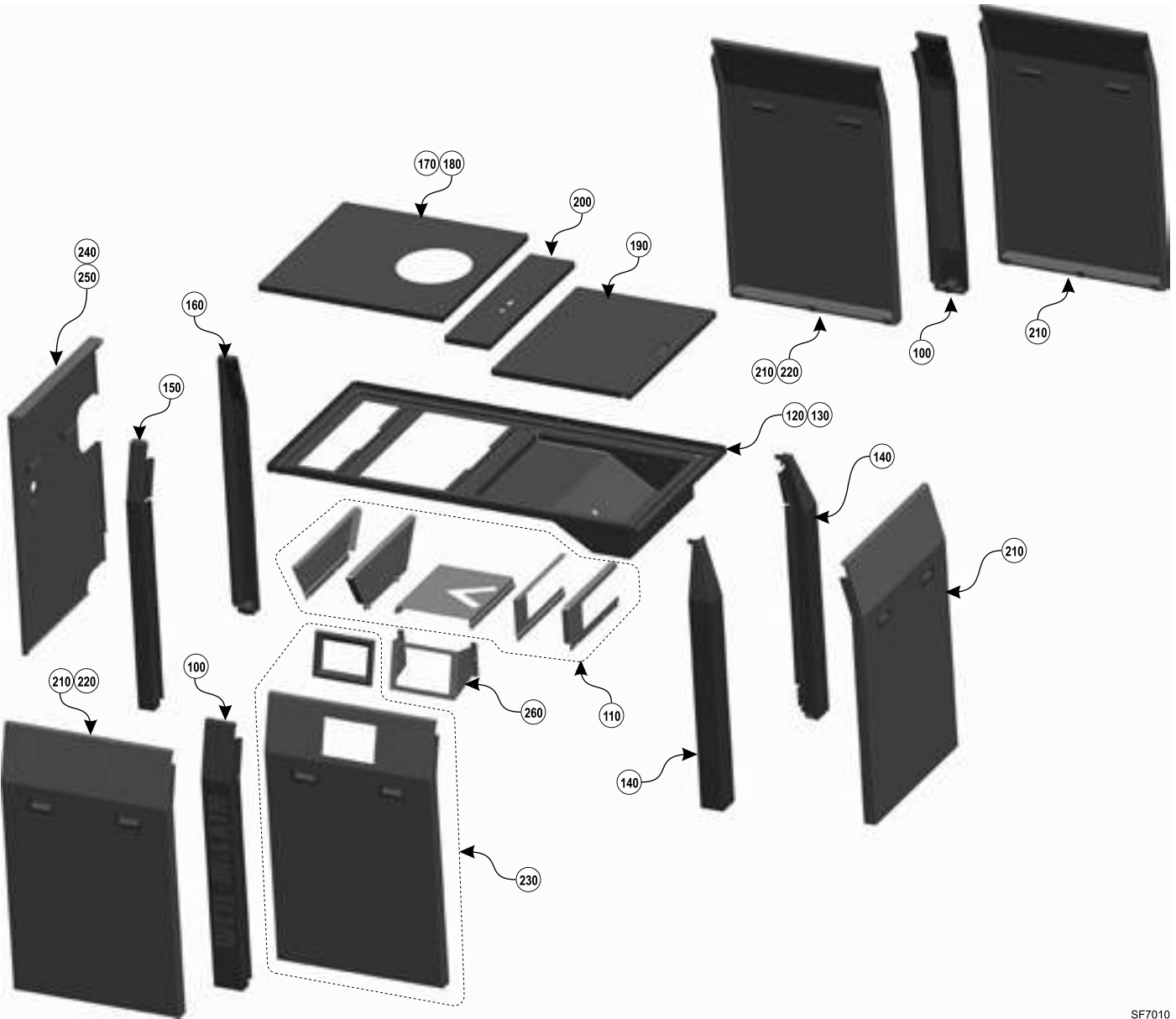


Fig. No	Part No.	Description	Boiler Models
1	383-600-055	Supply Manifold Kit (Includes Items 5 through 8 and 9 through 13)	550/750
2	383-600-035	Return Pipe Kit (Includes Items 8 and 14)	550/750
3	383-600-056	Inlet Gas Pipe Kit (Includes Items (15, 16, and 17)	550/750
4	383-600-032	Supply Distribution Pipe (See Heat Exchanger Diagram)	550/750
5	In Item 1	Serrated-Flange Nut, M8-1.25 (Four Required)	550/750
6	In Item 1	Supply Distribution Manifold, 2" N.P.T	550/750
7	590-318-039	Section/Manifold O-ring, 60 Mm (Included In Item 1)	550/750
8	562-248-747	Supply/Return Pipe Grommet, 2" N.P.T X 3½" Diameter (Included In Item 1 & 2)	550/750
9	383-500-275	P/T Gauge Pressure Sensor Line Check Valve	550/750
10	In Item 1	Plug, ½" NPT	550/750
11	383-600-069	Low Water Cut-Off - (Hydrolevel 45-1105, Or Taco LTR0243L)	550/750
12	383-500-270	P/T Gauge Temperature Sensor Well	550/750
13	383-600-072	Supply Temperature Sensor	
N/S	383-600-071	Return Temperature Sensor	
14	In Item 2	Return Pipe, 2" N.P.T	550/750
15	In Item 3	Inlet Gas Pipe With Flange	550/750
16	590-300-017	Inlet Gas Pipe Gasket (Included in Item 3)	550/750
17	In Item 3	Screws, ⅝-16 X ½", Button Head; Washers, ⅝" SAE (4 of Each Required)	550/750

## SlimFit Series 1, 2 & 3 Miscellaneous Parts

Part No.	Description	Size
383-600-076	Condensate Neutralizer Kit (Up To 1000 MBH)	All
591-706-200	Heat Exchanger Cleaning Tool	All
383-600-063	Relief Valve 30 PSI, 3/4" X 1", 925 MBH Capacity	All
383-600-064	Relief Valve 50 PSI, 3/4" X 1", 1352 MBH Capacity	All
383-600-065	Relief Valve 80 PSI, 3/4" X 3/4", 1400 MBH Capacity	All
560-907-633	6" Stainless Bird Screen (2 Required)	Per boiler manual
560-907-634	8" Stainless Bird Screen (2 Required)	Per boiler manual
592-900-002	Corrosion Inhibitor, 1 Tube	All
592-900-005	Inhibitor Test Kit, 2 Tests	All
592-900-003	Boiler System Cleaner/Sludge Remover	All
592-900-006	Aluminum-Safe Anti-Freeze, 5 gallon	All
383-600-079	Maintenance Kit (Includes: Igniter, Gasket, Hardware, Inhibitor Test Kit, Ignition Suppressor, Blower Gaskets, Silicone Cord, RTV 6500-2.8oz, and Boiler Manual )	All
383-600-080	Intake Filter For Direct Exhaust Venting	All
383-600-074	550 LP Propane Conversion Kit (Includes Round L/P Orifice, and Label)	550
383-600-075	750 LP Propane Conversion Kit (Includes Blower Orifice Plate, Round L/P Orifice, Blower Gasket, and Label)	750
383-600-081	Condensate Trap Kit (Includes 1" Coupling, Tee, Trap, Clamp, and Gasket)	All
383-600-083	Vent Adapter For 6" Stainless Steel Vent Pipe AL29-4C, Dura-Vent -FasNSeal	

# SlimFit Jacket Assembly



GAS

SF7010

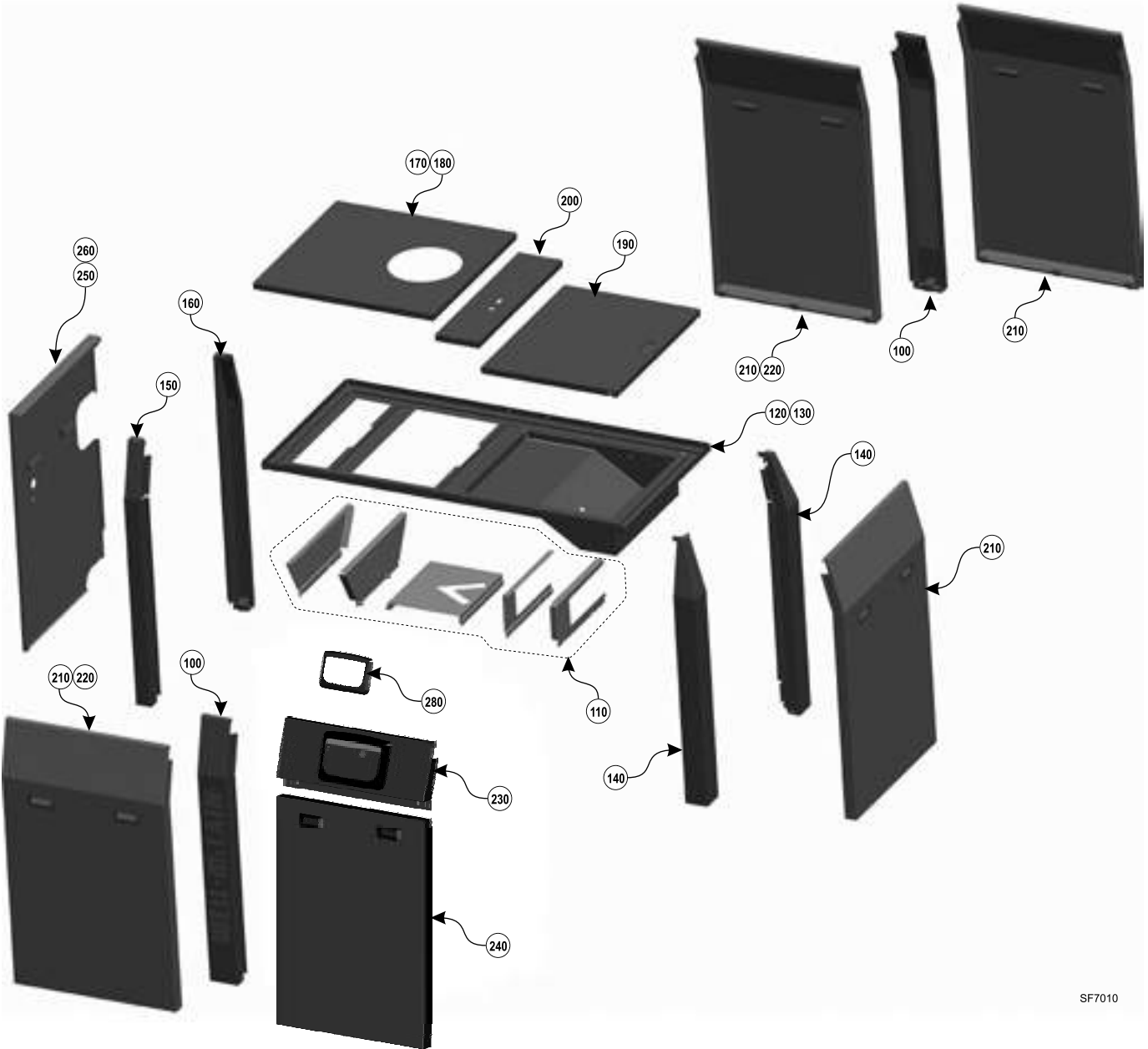


## SlimFit Jacket Assembly Parts

Fig No.	Part No.	Description
100	426-700-330	Jacket Side Post With Mounting Plate
110	383-600-249	Support Frame Bracket Kit (Includes Frame Components, and Hardware)
120	383-600-253	Jacket Top Frame Kit, SF1000/1500, (Includes Frame, and Hardware)
130	383-600-254	Jacket Top Frame Kit, SF2000, (Includes Frame, and Hardware)
140	383-600-258	Jacket Corner Post, Front, (Includes Post, and Hardware)
150	426-700-315	Jacket Corner Post, Back/Left, (Includes Post, and Hardware)
160	426-700-316	Jacket Corner Post, Back/Right, (Includes Post, and Hardware)
170	383-600-261	Jacket Top-Size C, SF1000/1500, (Includes Panel, and Hardware)
180	383-600-262	Jacket Top-Size D, SF2000, (Includes Panel, and Hardware)
190	383-600-263	Jacket Top-Size A, SF1000/1500/2000, (Includes Panel, and Hardware)
200	383-600-265	Jacket Top-Size B, SF1000/1500/2000, (Includes Panel, Plugs, and Hardware)
210	426-700-325	Jacket Access Door-Size B, SF1000/1500, (Includes Panel With Handles)
220	426-700-326	Jacket Access Door-Size C, SF2000, (Includes Panel With Handles)
230	426-700-329	Door Panel-Size A, (Includes Panel With Handles, Bezel, and Hardware)
240	426-700-327	Door Panel-Left Hand (Shown) (Includes Panel With Handles)
250	426-700-328	Door Panel-Right Hand (Not shown) (Includes Panel With Handles)
260	383-600-264	Display Panel Mounting Bracket, (Includes Bracket, and Hardware)
N/S	592-002-033	Touch Up Paint - Black - Low E 4.5oz Can
	592-002-032	Touch Up Paint - Putty - Low E 4.5oz Can

# SlimFit - SERIES 2 ONLY

## Jacket Assembly

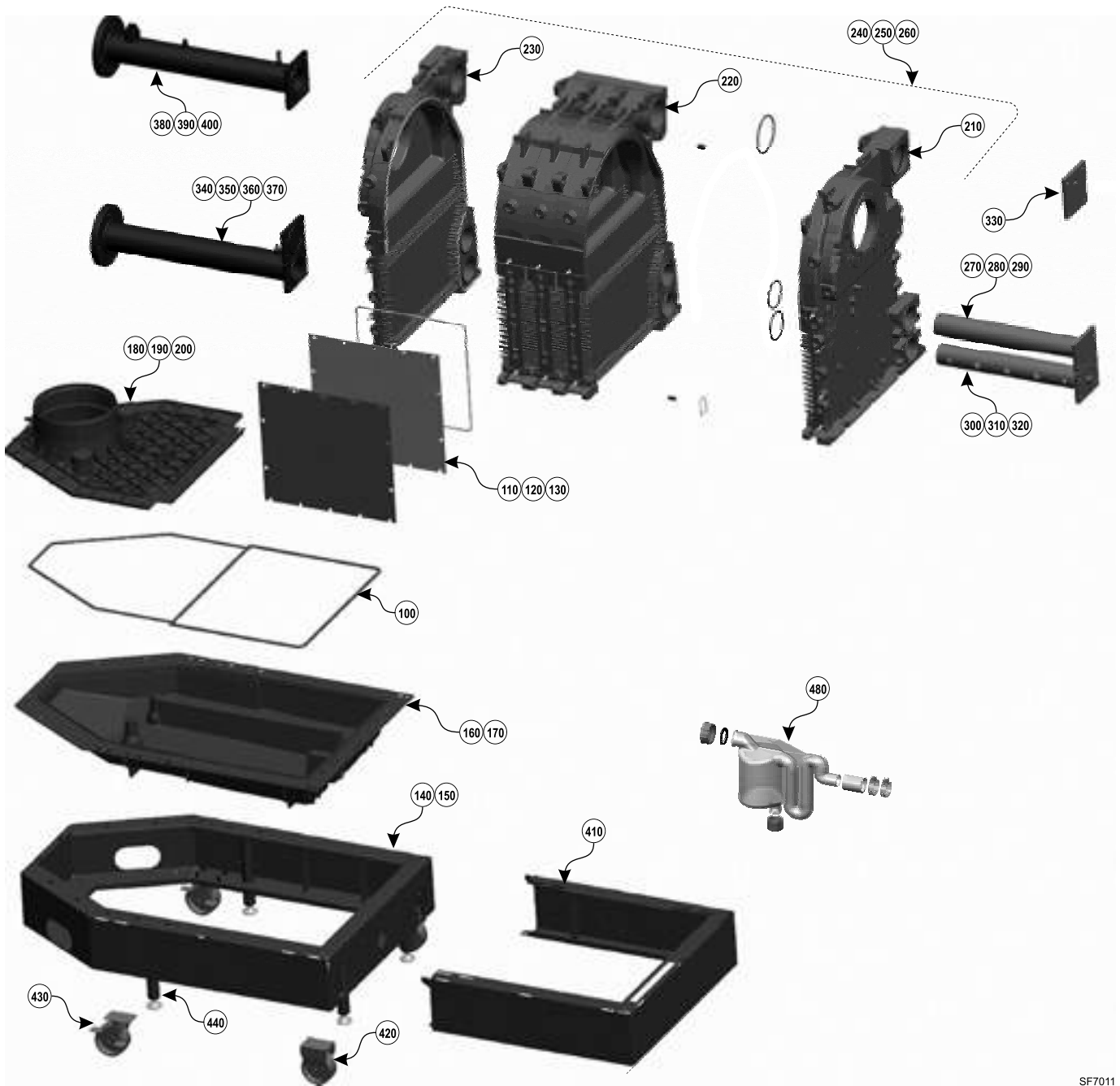


SF7010

**SlimFit - SERIES 2 ONLY**  
**Jacket Assembly Parts**

Fig No.	Part No.	Description
120	383-600-502	Jacket Top Frame Kit, SF-1000/1500 - (Includes Frame And Hardware)
130	383-600-503	Jacket Top Frame Kit, SF-2000 - (Includes Frame And Hardware)
200	383-600-504	Jacket Top-Front Center, Size-B, (Includes Panel, Plugs And Hardware)
230	383-600-505	Jacket Panel Top With Display Opening - (Includes Hardware)
240	383-600-506	Jacket Panel Bottom - (Includes Hardware)
280	383-600-507	Display Panel Bezel, Plastic - (Includes Hardware)
N/S	383-600-509	Supply Cover Plate With LWCO Port - (Includes Plate, O-Ring, And Hardware)

# SlimFit / SlimFit Series 2 Heat Exchanger & Base Assembly



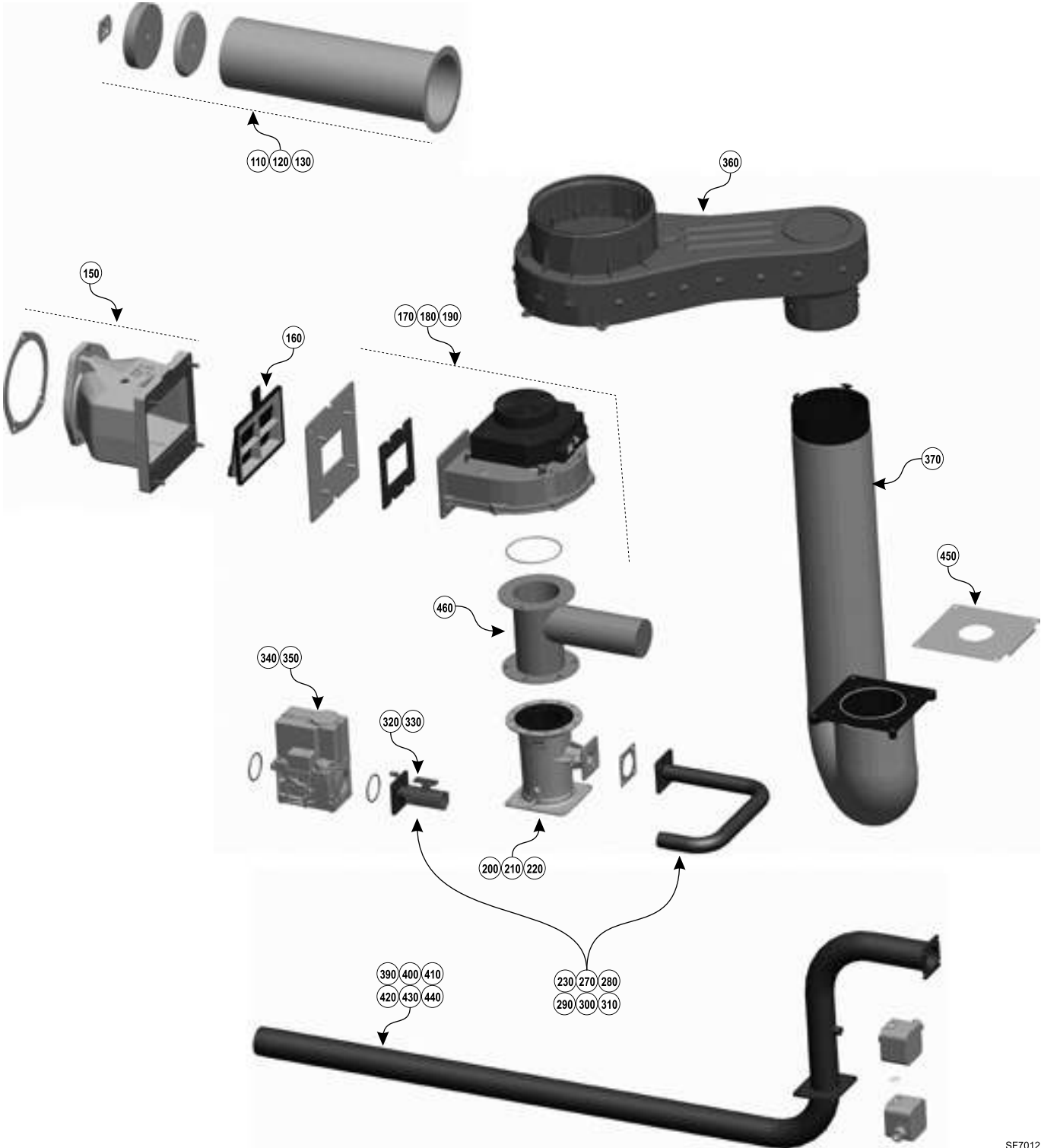
SF7011

GAS

## SlimFit / SlimFit Series 2 Heat Exchanger & Base Assembly Parts

Fig No.	Part No.	Description
100	383-600-201	Silicone Chord, 10mm X 144" To Seal Section To Base
110	383-600-202	Cleanout Plate Gasket Kit, SF1000, (Gasket, Silicone Sealing Cord,and Hardware)
120	383-600-203	Cleanout Plate Gasket Kit, SF1500, (Gasket, Silicone Sealing Cord,and Hardware)
130	383-600-204	Cleanout Plate Gasket Kit, SF2000, (Gasket, Silicone Sealing Cord,and Hardware)
140	383-600-205	Bottom Frame, SF1000/1500, (Frame, Casters Hardware, O-ring, Silicone Sealing Cord,and Silicone Sealant)
150	383-600-206	Bottom Frame, SF2000, (Frame, Casters Hardware, O-ring, Silicone Sealing Cord,and Silicone Sealant)
160	383-600-207	Flue Collector Base Kit, SF1000/1500, (Flue Collector,Silicone Sealing Cord,and Hardware)
170	383-600-208	Flue Collector Base Kit, SF2000, (Flue Collector,Silicone Sealing Cord,and Hardware)
180	383-600-209	Flue Collar Adapter Kit, SF1000, (Adapter, Silicone sealing Cord,Gasket, O-ring, Flue Temperature Sensor, and Hardware)
190	383-600-210	Flue Collar Adapter Kit, SF1500, (Adapter, Silicone Sealing Cord,Gasket, O-ring, Flue Temperature Sensor, and Hardware)
200	383-600-211	Flue Collar Adapter Kit, SF2000, (Adapter, Silicone Sealing Cord,Gasket, O-ring, Flue Temperature Sensor, and Hardware)
210	383-600-212	Heat Exchanger Front Section, (Section, Silicone Sealant, O-Rings, and Hardware)
220	383-600-213	Heat Exchanger Intermediate Section, (Section, Silicone Sealant, O-Rings, and Hardware)
230	383-600-214	Heat Exchanger Back Section, (Section, Silicone Sealant, O-Rings, and Hardware)
240	383-600-215	Heat Exchanger, Complete, Assembled, SF1000
250	383-600-216	Heat Exchanger, Complete, Assembled, SF1500
260	383-600-217	Heat Exchanger, Complete, Assembled, SF2000
270	383-600-218	Return Distribution Tube, Blank SF1000, (Tube, Flange,O-Ring, and Hardware)
280	383-600-219	Return Distribution Tube, Blank SF1500, (Tube, flange,O-Ring, and Hardware)
290	383-600-220	Return Distribution Tube, Blank SF2000, (Tube, Flange,O-Ring, and Hardware)
300	383-600-221	Return Distribution Tube, Perforated SF1000, (Tube, Flange,O-Ring, and Hardware)
310	383-600-222	Return Distribution Tube, Perforated SF1500, (Tube, Flange,O-Ring, and Hardware)
320	383-600-223	Return Distribution Tube, Perforated SF2000, (Tube, Flange,O-Ring, and Hardware)
330	383-600-224	Supply Cover Plate With LWCO Port, (Plate, O-ring, and Hardware)
N/S	383-600-228	Return Cover Plate, Blank, (Plate, O-ring, and Hardware)
350	383-600-229	Return Manifold With Flange, SF2000, (Manifold, flange, o-ring, temperature sensor, and sealant)
360	383-600-276	Return Manifold With Flange, SF1500, (Manifold, flange, o-ring, temperature sensor, and sealant)
370	383-600-277	Return Manifold With Flange, SF1000, (Manifold, flange, o-ring, temperature sensor, and sealant)
380	383-600-230	Supply Manifold With Flange, SF2000, (Manifold, flange, o-ring, temperature sensor, and sealant)
390	383-600-278	Supply Manifold With Flange, SF1500, (Manifold, flange, o-ring, temperature sensor, and sealant)
400	383-600-279	Supply Manifold With Flange, SF1000, (Manifold, flange, o-ring, temperature sensor, and sealant)
410	383-600-248	Bottom End Rail Kit
420	383-600-270	Caster Kit, Non-Swivel, (Caster, and Hardware)
430	383-600-271	Caster Kit, Swivel, (Caster, and Hardware)
440	383-600-272	Leveling Leg Kit, (Leveling Leg, and Adapter)
N/S	561-431-484	Hex Head Plug, 1/8 BSP, 304 SS
	561-013-872	Condensate Trap Coupling
	560-907-749	Condensate Trap Assembly - (Includes Trap Assembly, Gasket, Swivel Nut, and Siphon)
	561-444-214	Combustion Cap Screw

# SlimFit / SlimFit Series 2 Burner / Blower / Venturi / Gas Train Assembly



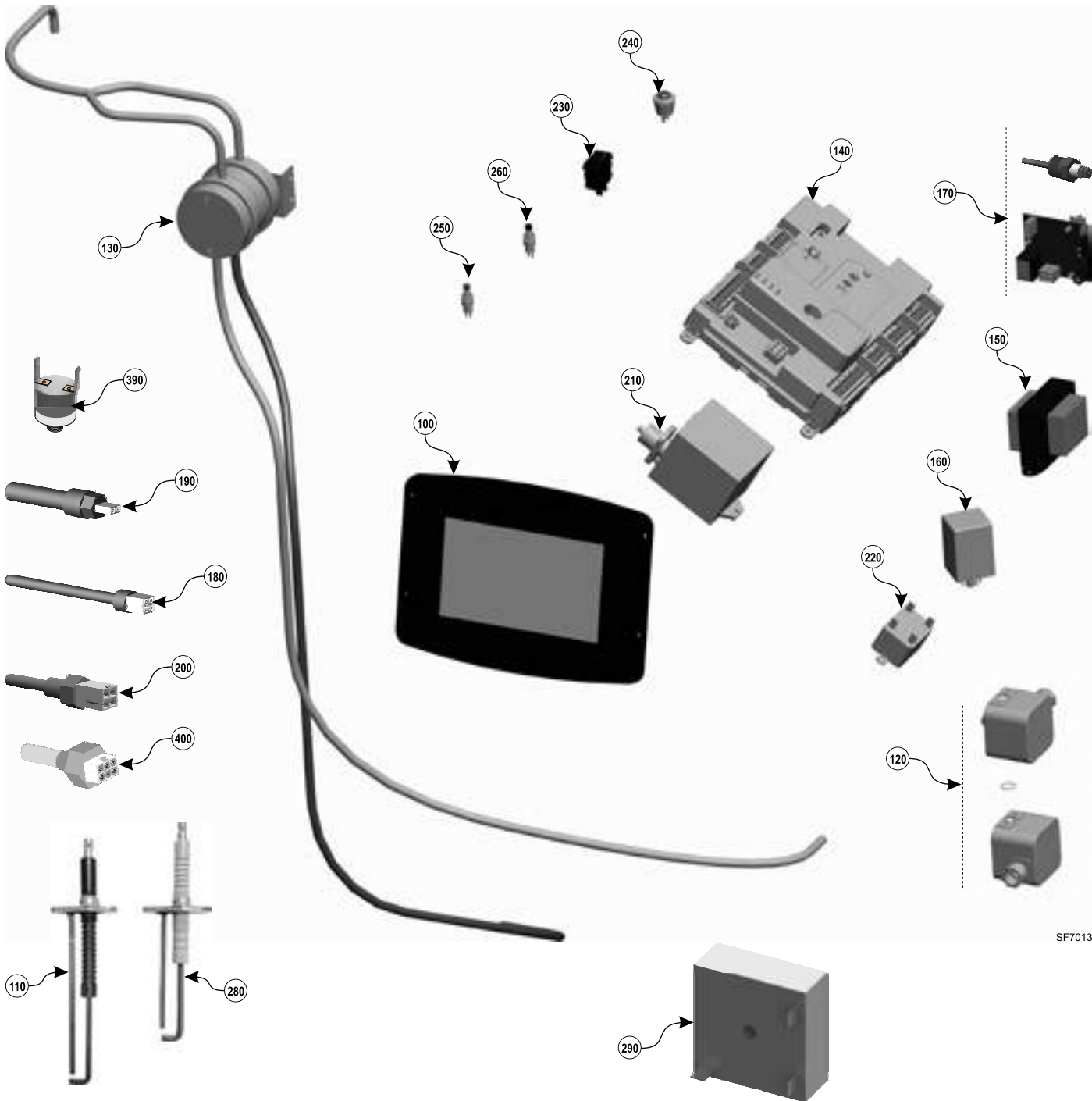
GAS

SF7012

## SlimFit / SlimFit Series 2 Burner / Blower / Venturi / Gas Train Assembly Parts

Fig No.	Part No.	Description
N/S	383-600-231	Piping End Combustion Chamber Access Plate, (Plate, Gasket, Insulation, and Hardware)
110	383-600-232	Burner Kit, SF2000, (Burner, Insulation Ring, and Hardware)
120	383-600-280	Burner Kit, SF1500, (Burner, Insulation Ring, and Hardware)
130	383-600-281	Burner Kit, SF1000, (Burner, Insulation Ring, and Hardware)
N/S	383-600-233	Burner Cover Plate, (Plate, Insulation, and Hardware)
150	383-600-234	Mixing Tube Kit, (Mixing Tube, Flapper Valve, Gasket, and Hardware)
160	383-600-235	Flapper Valve Kit, (Flapper Valve, and Hardware)
170	383-600-236	Blower Kit, SF2000, (Blower, O-ring, and Hardware)
180	383-600-282	Blower Kit, SF1500, (Blower, O-ring, and Hardware)
190	383-600-283	Blower Kit, SF1000, (Blower, O-ring, and Hardware)
200	383-600-237	Venturi Kit, SF2000, (Venturi,O-Ring, Gasket, and Hardware)
210	383-600-284	Venturi Kit, SF1500, (Venturi,O-Ring, Gasket, and Hardware)
220	383-600-285	Venturi Kit, SF1000, (Venturi,O-Ring, Gasket, and Hardware)
230	383-600-238	Gas Manifold, SF1000L, (Manifold,Gasket, Manual Gas Valve, O-Rings, and Hardware)
270	383-600-239	Gas Manifold, SF1000R, (Manifold,Gasket, Manual Gas Valve, O-Rings, and Hardware)
280	383-600-240	Gas Manifold, SF1500L, (Manifold,Gasket, Manual Gas Valve, O-Rings, and Hardware)
290	383-600-241	Gas Manifold, SF1500R, (Manifold,Gasket, Manual Gas Valve, O-Rings, and Hardware)
300	383-600-242	Gas Manifold, SF2000L, (Manifold,Gasket, Manual Gas Valve, O-Rings, and Hardware)
310	383-600-243	Gas Manifold, SF2000R, (Manifold,gasket, Manual Gas Valve, O-Rings, and Hardware)
320	383-600-244	Manual Gas Valve, T-Handle, SF1000/1500
330	383-600-245	Manual Gas Valve, T-Handle, SF2000
340	383-600-246	Automatic Gas Valve Kit, SF1000, (Automatic Valve, Plastic Reference Line Tubing, and Hardware)
350	383-600-286	Automatic Gas Valve Kit, SF1500/2000, (Automatic Valve, Plastic Reference Line Tubing, and Hardware)
360	383-600-251	Air Inlet Box Kit, (Box, and Hardware)
370	383-600-252	Air Inlet Hose Kit, (Hose, and Hardware)
390	383-600-291	Gas Manifold Pipe Kit, SF1000L, (Pipe, Sealant, Gasket, and Hardware)
400	383-600-292	Gas Manifold Pipe Kit, SF1000R, (Pipe, Sealant, Gasket, and Hardware)
410	383-600-293	Gas Manifold Pipe Kit, SF1500L, (Pipe, Sealant, Gasket, and Hardware)
420	383-600-294	Gas Manifold Pipe Kit, SF1500R, (Pipe, Sealant, Gasket, and Hardware)
430	383-600-295	Gas Manifold Pipe Kit, SF2000L, (Pipe, Sealant, Gasket, and Hardware)
440	383-600-296	Gas Manifold Pipe Kit, SF2000R, (Pipe, Sealant, Gasket, and Hardware)
450	383-600-301	Orifice Plate, SF1000, With Screws, 2.87" Diameter Opening
	383-600-302	Orifice Plate, SF1500, With Screws, 3.58" Diameter Opening
	383-600-303	Orifice Plate, SF2000, With Screws, 4.00" Diameter Opening
460	383-600-307	Acoustic Adapter, SF1000 Only, (Adapter, O-ring, and Hardware)

# SlimFit Controls



SF7013

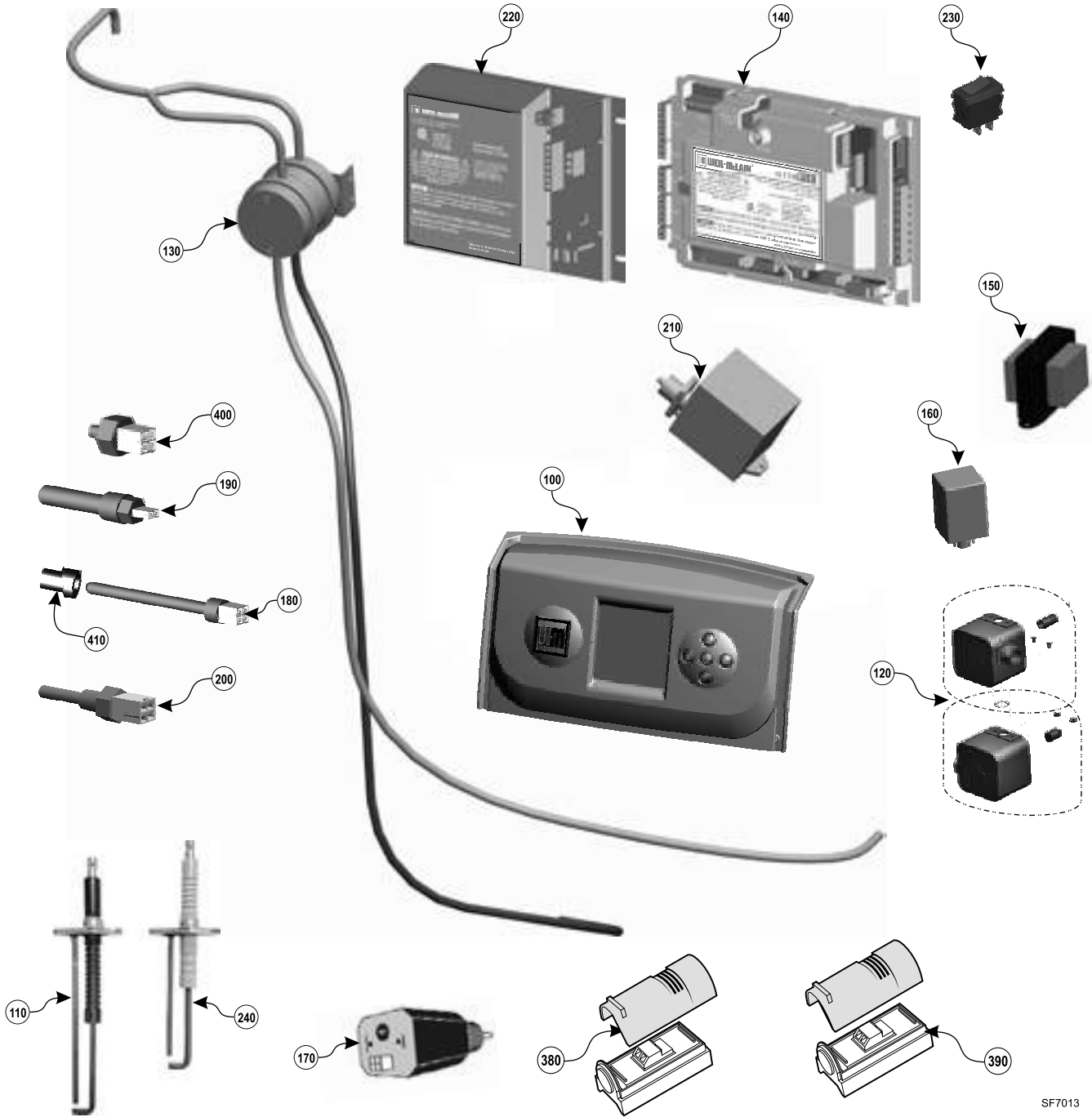


## SlimFit Control Parts

Fig No.	Part No.	Description
100	383-600-200	Display Panel Kit
110	383-600-226	Ignitor Kit, (Ignitor, Gasket, Hardware, and Ground Harness)
120	383-600-247	Gas Pressure Switch Kit, (High/Low Pressure Switches, Hardware, Sealant)
130	383-600-308	Pressure Switch Kit, (Pressure Switches, Hoses, and Hardware)
140	383-600-255	Weil-McLain Sola Control Module Kit, SF1000, (Control Module, and Hardware)
	383-600-305	Weil-McLain Sola Control Module Kit, SF1500, (Control Module, and Hardware)
	383-600-306	Weil-McLain Sola Control Module Kit, SF2000, (Control Module, and Hardware)
150	511-802-015	Control Transformer, 120/24 Volt, 50 VA, 50-60 HZ
160	570-350-231	Blower Relay, 120 Volt, 15 Amp, (Without Socket)
170	383-600-288	LWCO Kit, (Circuit Board, and probe)
180	383-600-290	Flue Temperature Sensor Kit, 10kohm, (Sensor, and Gasket)
190	571-724-295	Temperature Sensor, 12kohm, (Single Connector)      Return Boiler Sensor
200	571-724-297	Temperature Sensor, 10kohm, (Dual Connector)      Supply Boiler Sensor
N/S	383-500-601	System Supply Sensor, 12kohm, Strap-On
210	511-330-436	Ignition Module
220	570-350-232	Minimum Air Flow Switch Relay, SPDT, 120 Volt
230	383-500-205	Boiler On/Off Switch, 16 Amp, 125 Volt
N/S	591-850-191	Control Circuit Fuse, (2 Amp, 24 Volt), (Part of Control Wiring Harness)
280	383-600-300	Flame Sensor Kit
N/S	380-000-000	Pressure/Temperature Gauge, 0-75 Psi, ¼ " N.P.T. For 30-50 Psi Boilers
	570-218-055	Pressure/Temperature Gauge, 0-150 Psi, ¼ " N.P.T. For 80-100 Psi Boilers
	383-600-309	Time Delay Relay Kit
	591-392-015	Harness-Wiring Low Water Cutoff Reset -Connects Lwco Board To Reset Switch
	591-391-767	Harness-Wiring Flame Sensor - Connects From C5 To Flame Sensor
	591-391-768	Harness-Wiring Boiler Blower Control - Connects J2 To C3 For Blower Control
	591-391-770	Harness-Wiring Igniter Ground - Connects From Ignitor To Chassis Ground
	591-391-771	Harness-Wiring Gas Pressure Switch - Connects From C10 To Gas Pressure Switches
	591-391-773	Harness-Wiring Main Bottom - Connects To C3,C10,C11,C12, And C13
	591-392-016	Harness-Wiring Main Top - Connects To Terminals A,D,E, And F, J4,J5,J6, And J7 C1, C4, C5, C6, C7, C17 And C19
	591-391-775	Harness-Wiring Auxiliary Bottom - Connects From Return, Supply, And Flue Sensors To C2
	591-391-776	Harness-Wiring Auxiliary Top- Connects To B & C, J8, J9,J10 And C2
	383-600-340	LWCO Button Kit - (Includes Black Test / Red Reset Buttons and Instructions)
	511-624-662	Black LWCO Test Button
	511-624-663	Red LWCO Reset Button
	511-624-660	Heat Exchanger Thermal Switch, M6 Threads, (95°C/203°F)
	383-500-125	Outdoor Sensor - (Includes Sensor and Mounting Hardware) 30/50°C, 12 Kohms
	511-724-299	System Immersion Temperature Sensor Kit - (Includes Sensor, Well, Thermal Paste, And Instructions) 12Kohms

# SlimFit - SERIES 2 ONLY

## Controls



GAS

SF7013

## SlimFit - **SERIES 2 ONLY** Control Parts

Fig No.	Part No.	Description
100	383-600-501	Display Panel Assembly Kit - (Includes instructions)
120	383-600-510	Gas Pressure Switch Kit - (Includes High/Low Gas Pressure Switches, Hardware, And Sealant)
140	383-600-500	Control Module Kit - (Includes Module, And Hardware)      UT1176-180
150	383-500-628	Control Transformer, 120/24 Volt - 50VA
170	383-600-511	Low Water Cut Off
180	383-500-600	Flue Temperature Sensor - (Includes Gasket)
N/S	590-318-011	Flue Temperature Gasket Only
220	383-600-160	Expansion Module
N/S	591-392-018	Main Top Wiring Harness
	591-392-019	Blower Control Wiring Harness
	591-392-020	Auxiliary Circulator Wiring Harness
	591-392-021	Auxiliary Additional Contacts Wiring Harness
	591-392-022	Auxiliary Field Contacts Wiring Harness
	591-392-026	Flame Sensor Wiring Harness
	591-392-027	Auxiliary Field Terminals Wiring Harness
	591-392-037	Lower Blower Control Wiring Harness
	591-392-038	Lower High Voltage Wiring Harness
	591-392-039	Lower Low Voltage Wiring Harness
	591-392-017	Auxiliary Top Wiring harness
	591-392-040	Expansion Module To Display Wiring Harness - (Cat-se RJ45)
	383-500-633	Control To Expansion Module Wiring Harness - RS485)
	510-312-218	Outdoor Temperature Sensor
	383-500-603	3-Amp Fuse, Fast-Blow ATO - (5 Fuses Included)
	383-500-604	12-Amp Fuse, 250 Volt Fast-Blow AG - (5 Fuses Included)

## SlimFit / SlimFit Series 2 Miscellaneous Parts

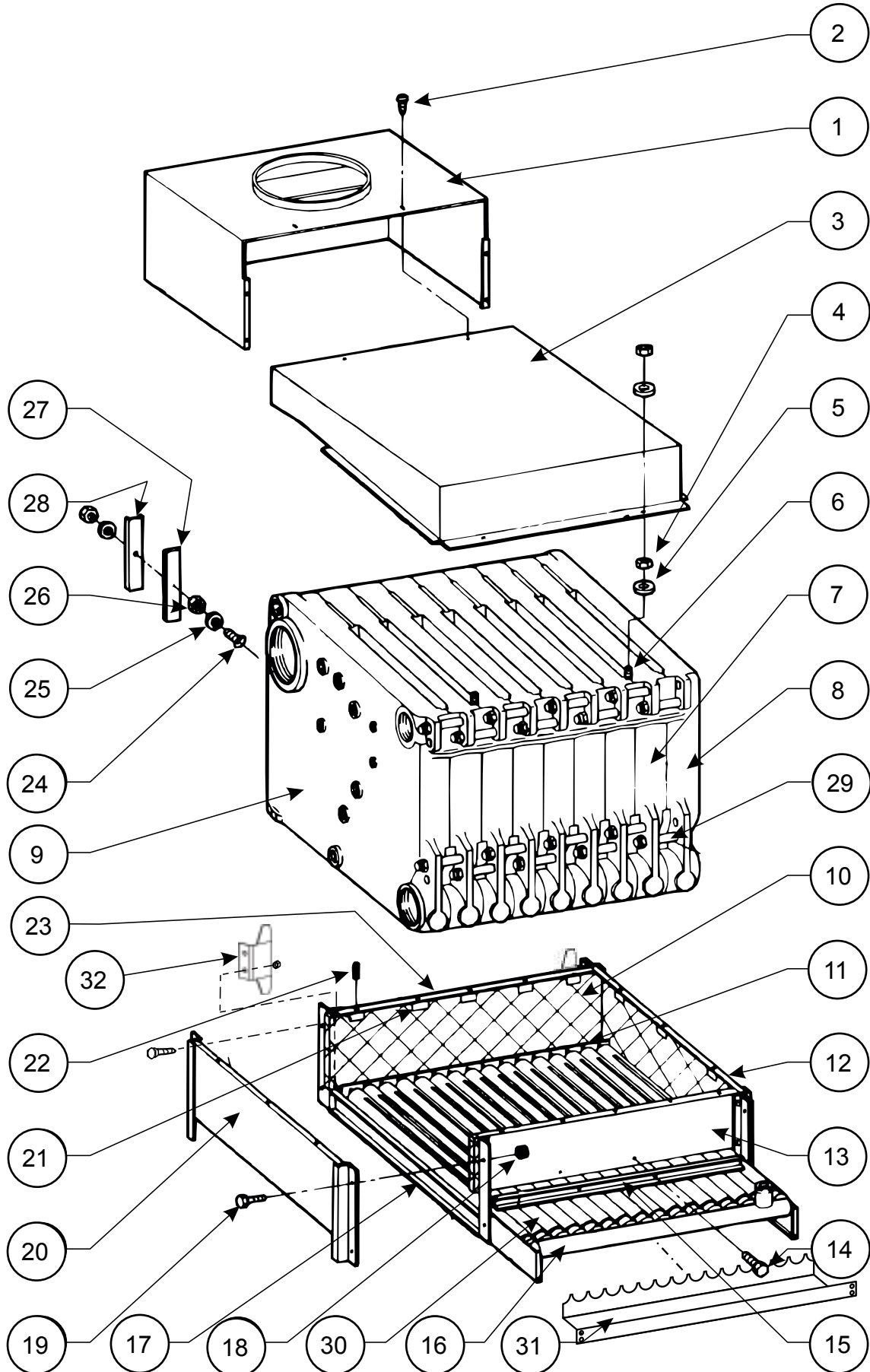
<b>Miscellaneous Parts and Kits</b>		
Part No.	Description	Size
383-600-287	Condensate Neutralizer Kit, With Instructions, Up to 3000 MBH	ALL
591-706-201	Heat Exchanger Cleaning Tool	ALL
383-600-093	Pressure Relief Valve, ASME 30 PSI, 1¼" N.P.T.	ALL
383-600-101	Pressure Relief Valve, ASME 50 PSI, 1¼" N.P.T	ALL
383-600-299	Pressure Relief Valve, ASME 80 PSI, 1¼" N.P.T, With New P/T Gauge	ALL
383-600-298	Pressure Relief Valve, ASME 100 PSI, 1¼" N.P.T, With New P/T Gauge	ALL
592-900-006	Antifreeze, Sentinel X500--5 Gallons	ALL
592-900-016	Corrosion Inhibitor, Sentinel X100--5 Gallons	ALL
592-900-017	Corrosion Inhibitor, Sentinel X100--50 Gallons	ALL
592-900-003	Cleaner, Sentinel X400--275 ml Tube	ALL
592-900-005	Inhibitor Quick Test Kit	ALL
383-600-225	Annual Maintenance Kit (Includes 1-Ignitor, 2-Ignitor/Flame Sensor Gaskets, 4-Screws For Ignitor/Sensor, 2-Washers For Ignitor,1-Flame Sensor,1-Inhibitor Test Kit, 2-Blower Connection Gaskets, and 1-Silicone Cord For Clean Out Plate	ALL
560-907-739	Vent/Air Adapter 6.00" CPVC/PVC – Converts boiler connection to CPVC/PVC diameter.	
560-907-738	Vent/Air Adapter 8.00" CPVC/PVC – Converts boiler connection to CPVC/PVC diameter.	

GAS

<b>Vent/Air Piping Components</b>			
Vent Mfr.	Vent Type	Adapter Description	Mfr.'s Part No.
Centrotherm	InnoFlue SW Polypropylene	Tapered 10" To 8" Reducer	ISTR1008
Duravent	Polpro Polypropylene	9.85" To 6" (Exhaust)	810007177
		9.85" Adapter To 6" PP (Air)	810007178
		9.85" Adapter To 8" PP (Exhaust)	810007179
		9.85" Adapter To 8" PP (Air)	810007180
	FasNSeal AL29-4C	9.85" Adapter To 6" FNS (Exhaust)	810007181
		9.85" Adapter To 6" FNS (Air)	810007182
		9.85" Adapter To 8" FNS (Exhaust)	810007183
		9.85" Adapter To 8" FNS (Air)	810007184
Heatfab/Selkirk	SAF-T Vent EZ Seal AL29-4C	Slimfit Adapter To 6"	96WMSF
		Slimfit Adapter To 8"	98WMSF
MetalFab Inc.	CORR/Guard AL29-4C	Slimfit Adapter To 6"	6FCG9WMA
		Slimfit Adapter To 8"	8FCG9WMA
Nova Flex Group	Z-Vent AL29-4C	Slimfit Adapter To 6"	2SVESFA1006
		Slimfit Adapter To 8"	2SVESFA1008

# NOTES

LGB - Series 1 & 2  
Section / Base Assembly



GAS

## LGB - Series 1 & 2 Section / Base Assembly Parts

Fig. No.	Part No.	Size	Description
N/S	383-300-405		Section Replacement Kit (Includes: Seals, Rope and Sealant For 1 Joint)
1	443-300-098	4	Horizontal Draft Hood, See Table 1 (Page 139)
	443-300-099	5	
	443-300-100	A	
	443-300-101	B	
	443-300-102	C	
	443-300-103	D	
	443-300-104	E	
	443-300-105	F	
	443-300-106	G	
2	Available Locally		Screw, Phillips # 10 X ½"
3	450-019-858	4	Horizontal Collector Hood, See Table 1 (Page 139)
	450-019-859	5	
	450-019-851	A	
	450-019-852	B	
	450-019-853	C	
	450-019-854	D	
	450-019-855	E	
	450-019-856	F	
	450-019-857	G	
4	Available Locally		Hex Nut, Regular ¼" - 20
5	Available Locally		Washer, Plain ¼"
6	Available Locally		Carriage Bolt, ¼" - 20 X 1½"
7	313-300-110		Regular Intermediate Section - 3315 - 80 P.S.I.
8	313-300-111		Right Hand End Section - 3318 - 80 P.S.I.
9	313-300-109		Left Hand End Section - 3314 - 80 PSI
N/S	592-800-005		9" Dia. Top Elastomer Seal (1 Per Joint)
	592-800-007		6" Dia. Bottom Elastomer Seal (1 Per Joint)
	591-706-214		Flue Brush, 123 DMG
10		4	Base Front and Back Insulation, See Tables 1 & 2 (Page 139)
		5	
		A	
		B	
		C	
		J	
		K	

**LGB - Series 1 & 2**  
**Section / Base Assembly Parts Continued**

Fig. No.	Part No.	Size	Description	
11	450-003-600	4	Burner Rest, See Table 1 (Page 139)	
	450-003-601	5		
	450-003-560	A		
	450-003-561	B		
	450-003-562	C		
	450-003-563	D		
	450-003-564	E		
	450-003-565	F		
	450-003-566	G		
N/S	450-003-602	4	Burner Stop, See Table 1 (Page 139)	
	450-003-603	5		
	450-003-568	A		
	450-003-569	B		
	450-003-570	C		
	450-003-571	D		
	450-003-572	E		
	450-003-573	F	Burner Stop, Size G, See Table 1 (Page 139)	
	450-003-574	G		
	450-003-604	4		Combustion Air Baffle For Base, See Table 1 (Page 139)
	450-003-605	5		
	450-003-575	A		
	450-003-576	B		
	450-003-577	C		
	450-003-578	D		
	450-003-579	E		
	450-003-580	F		
450-003-581	G			
12, 20	383-300-165		Base End Panel - (Includes 2 Panels With Insulation)	
N/S	591-221-126		Insulation End Panels, Left and Right	
	450-003-589		Right Hand Base Leg	
	450-003-590		Left Hand Base Leg	
13	450-003-543	4	Base Front Panel, See Table 1 (Page 139)	
	450-003-544	5		
	450-003-545	A		
	450-003-546	B		
	450-003-547	C		
	450-003-548	D		
	450-003-549	E		
	450-003-550	F		
450-003-551	G			
14	Available Locally		Screw, Hex Washer Heat Slotted 10-32 x 3/8"	

**GAS**



**LGB - Series 1 & 2**  
**Section / Base Assembly Parts Continued**

Fig. No.	Part No.	Size	Description
15	450-003-606	4	Base Access Shield, See Table 1 (Page 139)
	450-003-607	5	
	450-003-582	A	
	450-003-583	B	
	450-003-584	C	
	450-003-585	D	
	450-003-586	E	
	450-003-587	F	
	450-003-588	G	
16	591-125-908	4	Manifold, See Table 1 (Page 139)
	591-125-909	5	
	591-125-910	A	
	591-125-911	B	
	591-125-912	C	
	591-125-913	D	
	591-125-914	E	
	591-125-915	F	
	591-125-916	G	
17	450-003-567		Base Cross Tie
18	Available Locally		Nut, Flange Whiz-Lock ¼" -20
19	Available Locally		Screw, Hex Heat Cap ¼" - 20 x ¾"
21	562-650-104		Support Clip For Base Insulation
22	562-930-236		Roll Pin ⅛" x 2"
23	450-003-598	4	Base Back Panel, See Table 1 (Page 139)
	450-003-599	5	
	450-003-553	A	
	450-003-554	B	
	450-003-555	C	
	450-003-556	D	
	450-003-557	E	
	450-003-558	F	
	450-003-559	G	
N/S	591-602-913		Retort Cement (Collector Hood and Base Seal) (1 Quart)
24	Available Locally		Carriage Bolt, ¼" - 20 x 1¾"
25	Available Locally		Washer, Plain ¼"
26	Available Locally		Hex Nut, Regular ¼" - 20

## LGB - Series 1 & 2 Section / Base Assembly Parts Continued

Fig. No.	Part No.	Size	Description
27	591-221-115		Cleanout Plate Insulation 3" x 10½" x ½" (1 Per Joint)
28	450-029-549		Cleanout Plate (1 Per Joint)
N/S	591-706-214		Flue Brush - 42" Long
29	560-134-480		⅝" -11 x 8" Draw Rod Without Nut (3 Required Per Joint)
N/S	561-928-224		⅝"-11" Nut (2 Per Draw Rod)
	562-248-710		⅝" Washer (1 Per Draw Rod)
	590-735-140		Rope Fiberglass ½" Diameter x 10' Per Joint
	591-641-850		Construction Adhesive For Sealing Rope (11 oz. Tube)
30	512-200-050		Burner, Tubular Steel, Regular
N/S	512-200-055		Burner, Tubular Steel, For Pilot
	560-528-976		Main Burner Orifice, Propane Gas, 2.4 mm
	560-528-979		Main Burner Orifice, Natural Gas, 3.95 mm
	423-300-420		Flame Sensor Bracket
	460-005-624		Pilot Bracket
31	450-003-350	4	Burner Shield, See Table 1 (page 139)
	450-003-352	5	
	450-003-354	A	
	450-003-356	B	
	450-003-358	C	
	450-003-360	D	
	450-003-362	E	
	450-003-364	F	
N/S	592-002-030	All	Touch Up Paint - Blue/Gray - Low E 4.5oz Can

Boiler Size	Number Of Burner Tubes		Boiler Size	Number Of Burner Tubes	
	Regular	For Pilot		Regular	For Pilot
LGB-4	5	1	LGB-14	22	4
LGB-5	7	1	LGB-15	24	4
LGB-6	8	2	LGB-16	26	4
LGB-7	10	2	LGB-17	28	4
LGB-8	12	2	LGB-18	30	4
LGB-9	14	2	LGB-19	32	4
LGB-10	16	2	LGB-20	34	4
LGB-11	18	2	LGB-21	36	4
LGB-12	20	2	LGB-22	38	4
LGB-13	20	4	LGB-23	40	4

Note: For Propane Boilers; LGB 4-12, Add Additional Pilot Burner And Remove One Regular Burner  
For LGB 13-23, Add Two Additional Pilot Burners, And Remove Two Regular Burners

## LGB - Series 1 & 2

### Section / Base Assembly Parts Continued

Table 1  
Size Designator According To Boiler Size

Boiler Size	Size Designator		Boiler Size	Size Designator	
	Left Base	Right Base		Left Base	Right Base
LGB-4	4	-	LGB-14	B	C
LGB-5	5	-	LGB-15	C	C
LGB-6	A	-	LGB-16	C	D
LGB-7	B	-	LGB-17	D	D
LGB-8	C	-	LGB-18	D	E
LGB-9	D	-	LGB-19	E	E
LGB-10	E	-	LGB-20	E	F
LGB-11	F	-	LGB-21	F	F
LGB-12	G	-	LGB-22	F	G
LGB-13	B	B	LGB-23	G	G

Table 2  
Base Front and Back Insulation According To Size Designator

Size Designator	Base Front and Back Insulation	
	Designator	Designator
4	4	-
5	5	-
A	A	-
B	B	-
C	C	-
D	A	E
E	B	E
F	A	D
G	B	D

**Note: Refer to Table 1 to Key Size Designator According to Boiler Size**

LGB base insulation part numbers have changed. The front and back insulation set, Item 9, is replaced with the following part numbers.

Note: Both a front and a rear insulation piece must be ordered now, instead of a set.

On the larger bases, 2 pieces make up the front insulation and 2 pieces make up the rear insulation.

D Base = A front and rear plus an E front and rear

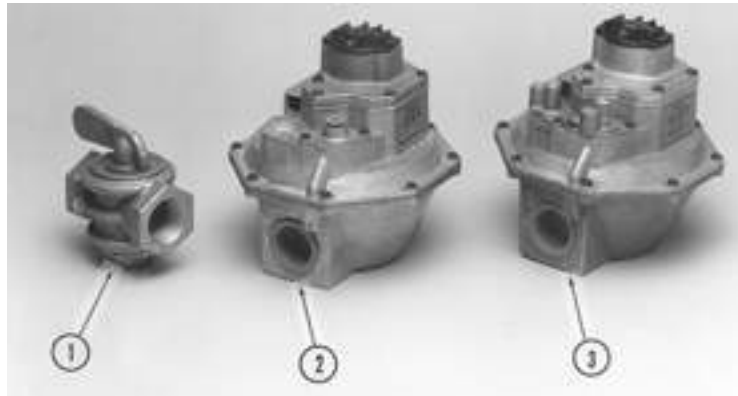
E Base = B front and rear plus an E front and rear

F Base = A front and rear plus a D front and rear

G Base = B front and rear plus a D front and rear

Fig.No.	Part No.	Size	Description
9	591-221-330	4	Base Insulation Front
	591-221-331	4	Base Insulation Rear
	591-221-332	5	Base Insulation Front
	591-221-333	5	Base Insulation Rear
	591-221-334	A	Base Insulation Front
	591-221-335	A	Base Insulation Rear
	591-221-336	B	Base Insulation Front
	591-221-337	B	Base Insulation Rear
	591-221-338	C	Base Insulation Front
	591-221-339	C	Base Insulation Rear
	591-221-340	D	Base Insulation Front
	591-221-341	D	Base Insulation Rear
	591-221-342	E	Base Insulation Front
	591-221-343	E	Base Insulation Rear

## LGB - Series 2 Main Gas Control Train Parts Natural Gas



**Table 1 – LGB Main Gas Control Trains Arrangement**

LGB Series 1 Boiler Size	Main Gas Control Trains		LGB Series 1 Boiler Size	Main Gas Control Trains	
	7.0" W.C. Natural Gas Supply Pres- sure	5.0" W.C. Natural Gas Supply Pressure		7.0" W.C. Natural Gas Supply Pressure	5.0" W.C. Natural Gas Supply Pressure
LGB-6	AB	AB	LGB-15	J	J
LGB-7	AB	AB	LGB-16	J	J
LGB-8	CD	CD	LGB-17	J	J
LGB-9	CD	CD	LGB-18	K	K
LGB-10	EF	E	LGB-19	L	M
LGB-11	EF	F	LGB-20	L	N
LGB-12	EF	F	LGB-21	*L	*O
LGB-13	H	H	LGB-22	*L	*O
LGB-14	I	I	LGB-23	*L	*O

\*With Special Control Carton ( Includes Gas Pressure Switch, Switch Bracket, Connecting Tubing)

**Table 2 – LGB Main Gas Control Trains Individual Components**

Fig. No.		MAIN GAS CONTROL TRAINS																							
		7" W.C. Natural Gas Supply Pressure									5" W.C. Natural Gas Supply Pressure														
		A	B	C	D	E	F	H	I	J	K	L	A	B	C	D	E	F	H	I	J	K	M	N	O
1	Manual Main Shut-Off Gas Valve, 1" N.P.T.	X	X			X	X	X	X																
	Manual Main Shut-Off Gas Valve, 1¼" N.P.T.				X					X	X	X	X					X	X	X	X				
	Manual Main Shut-Off Gas Valve, 1½" N.P.T.													X							X	X	X		
	Manual Main Shut-Off Gas Valve, 2" N.P.T.															X							X	X	
2	Safety Gas Valve 1" N.P.T.	X	X			X	X	X	X																
	Safety Gas Valve 1¼" N.P.T.				X					X	X	X						X	X	X	X				
	Safety Gas Valve 1½" N.P.T.													X	X						X	X	X	X	
3	Combination Gas Control Valve, 1" N.P.T.	X	X			X	X	X	X																
	Combination Gas Control Valve, 1¼" N.P.T.				X					X	X	X						X	X	X	X				
	Combination Gas Control Valve, 1½" N.P.T.														X	X					X	X	X	X	

GAS

**LGB - Series 2**  
**Main Gas Control Parts - Natural Gas**  
**Universal Control System**

Fig. No.	Part No.	Description
<b>Manual - Main Shut-Off Gas Valves</b>		
1	511-246-325	Manual - Main Shut-Off Gas Valve, 1" N.P.T., With Downstream Pressure Tapping, 1/8" N.P.T.
	511-246-330	Manual - Main Shut-Off Gas Valve, 1 1/4" N.P.T., With Downstream Pressure Tapping, 1/8" N.P.T.
	511-246-300	Manual - Main Shut-Off Gas Valve, 1 1/2" N.P.T., With Downstream Pressure Tapping, 1/8" N.P.T.
	511-246-305	Manual - Main Shut-Off Gas Valve, 2" N.P.T., With Downstream Pressure Tapping, 1/8" N.P.T.
<b>Safety Gas Valves</b>		
2	511-044-191	Gas Valve, Without Regulator, 1"
	511-044-192	Gas Valve, Without Regulator, 1 1/4"
	511-044-193	Gas Valve, Without Regulator, 1 1/2"
	383-300-425	1" LGB Conversion To V8943A Kit (To Convert From V88 or V8843P To V8943A)
	383-300-426	1 1/4" LGB Conversion To V8943A Kit (To Convert From V88 or V8843P To V8943A)
	383-300-427	1 1/2" LGB Conversion To V8943A Kit (To Convert From V88 or V8843P To V8943A)
<b>Combination Gas Control Valves</b>		
3	511-044-214	Combination Gas Control Valve, 1" N.P.T., 24 Volt, With Low Fire Operator, High fire Operator, Main Pressure Regulator and 1/8" N.P.T. Downstream Pressure Tapping
	511-044-215	Combination Gas Control Valve, 1 1/4" N.P.T., 24 Volt, With Low Fire Operator, High Fire Operator, Main Pressure Regulator and 1/8" N.P.T. Downstream Pressure Tapping
	511-044-216	Combination Gas Control Valve, 1 1/2" N.P.T., 24 Volt, With Low Fire Operator, High Fire Operator, Main Pressure Regulator and 1/8" N.P.T. Downstream Pressure Tapping
<b>LGB 4-5 Gas Valve</b>		
N/S	511-044-287	Gas Valve 1" x 1" N.P.T Natural Gas Intermittent Pilot Slow Opening
<b>Gas Pressure Switch and Accessories</b>		
N/S	511-624-555	High Gas Pressure Switch, SPDT, Manual Reset, Lockout on Pressure Rise, Diaphragm Type 3.0-21.0" W.C. Range, 1.0-3.0" W.C. Differential, 1/4" N.P.T. Female Vent Connector, With Switch Position Indicator (2 Required For LGB-21 Through LGB-23)
	561-643-451	Union, 1/8" Male N.P.T. x 1/4" CC (4 Required For LGB-21 Through LGB-23) (Purchase Locally)
	560-742-915	Aluminum Tubing, 1/4" O.D. x 100" Roll

## LGB - Series 2 Pilot / Fame Sensor

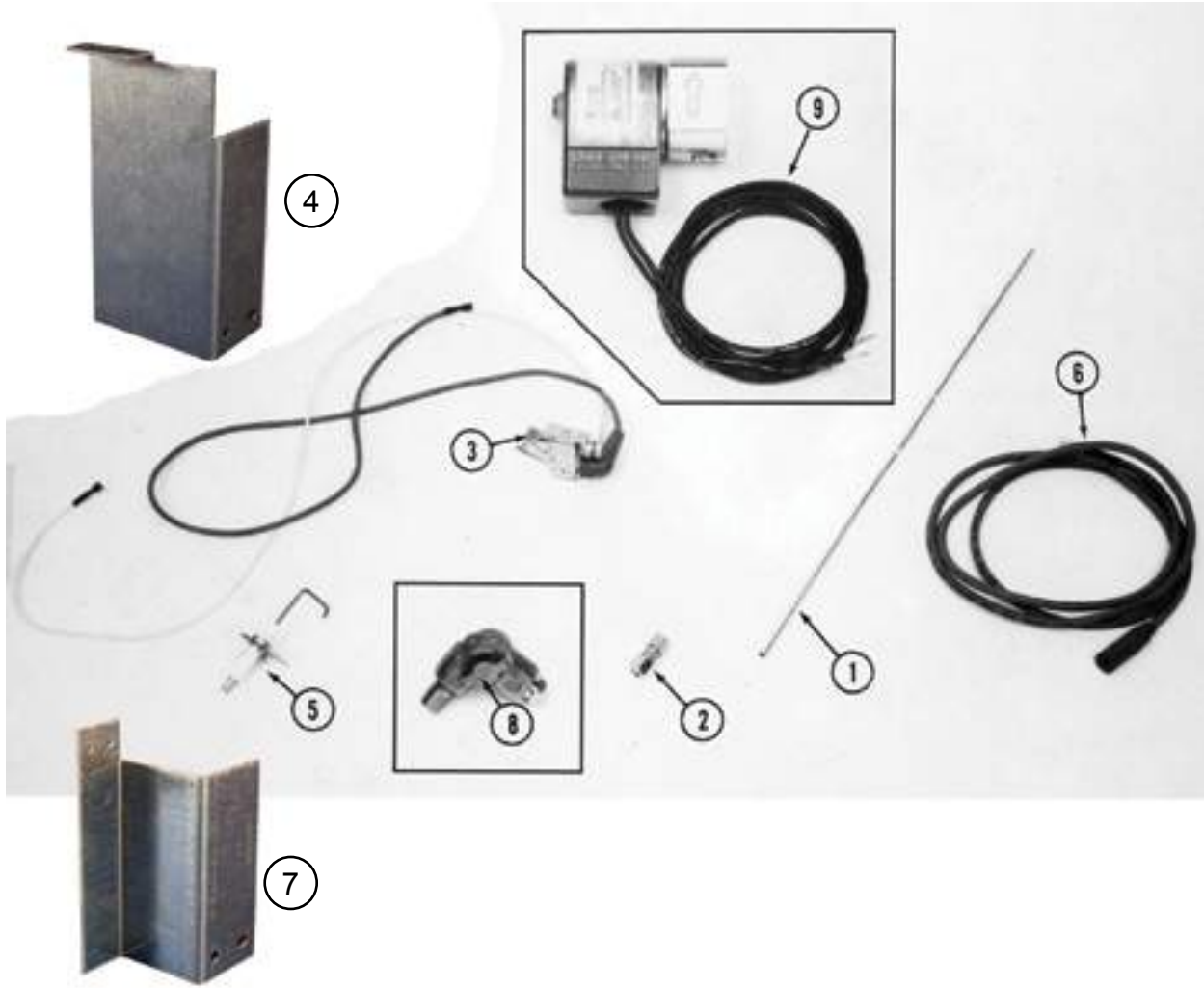


Fig. No.	Part No.	Description	4-5	6-12	13-23
<b>LGB Pilots and Fame Sensor</b>					
1	560-742-880	Pilot Line Aluminum Tubing, 2 Pieces Required, 1/4" Dia. X 20" Long		1	2
2	561-643-450	Pilot Line Union, 1/4" CC (Purchase Locally)		1	2
3	511-330-221	N/G PIN Pilot Burner Assembly With Pilot Burner, Orifice, Sensing Lead and Ignition Cable	1	1	2
4	460-005-624	Pilot Burner Mounting Bracket		1	2
5	511-724-274	Main Fame Sensor		1	2
6	591-391-790	Sensing Cable For Main Fame Sensor, 72" Long		1	2
7	423-300-420	Main Fame Sensor Mounting Bracket		1	2
8	511-246-340	Manual Shut-Off Pilot Gas Valve, 1/8" N.P.T. X 1/4" CC		1	2
9	511-044-039	Pilot Line Solenoid Gas Valve, 1/4" N.P.T., 24 Volt		1	2

## LGB - Series 2 - Propane Gas Thermally Supervised Pilot to Standard Controls

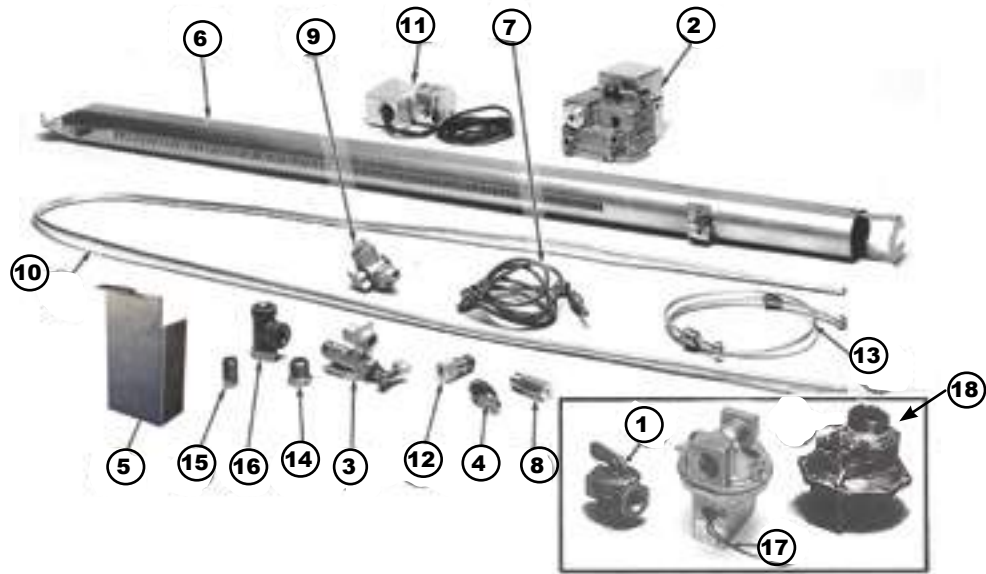


Fig. No.	Part No.	Description
1	511-246-325	Manual Main Shut-Off Gas Valve, 1" N.P.T.
	511-246-330	Manual Main Shut-Off Gas Valve, 1¼" N.P.T.
2	511-330-229	Pilot Switch Box With Built In Pilot Filter, ¼" CC Inlet and Outlet
3	511-330-186	Pilot Burner, Constant Burning, Thermally Supervised
	383-300-410	Standing Pilot Burner Repair Kit, Propane Includes Pilot Burner & Orifice
4	560-528-957	Propane Pilot Orifice, .010 Dia., For Q327A
5	460-005-624	Pilot Mounting Bracket For Both Pilot Burners
6	512-200-055	LGB Main Burner With Pilot Bracket
7	511-724-245	Thermocouple, 48" Long, For Q327A Pilot
8	560-528-976	LGB Main Burner Orifice, 2.40mm For Propane
9	511-246-340	Manual Shut-Off Pilot Gas Valve, ⅛" N.P.T. x ¼" CC
10	560-742-880	Pilot Line Aluminum Tubing, ¼" O.D. x 20" (2 Pieces Required)
11	511-044-039	Pilot Line Solenoid Gas Valve, ¼" O.D. x 22¾" Long
12	561-643-450	Union, ¼" CC, Brass (Purchase Locally)
13	560-742-860	Bleed Line Aluminum Tubing, ⅛" O.D. X 22¾" Long
14	560-807-360	Bushing, Black ¼" N.P.T. x ⅛" (Purchase Locally)
15	561-326-200	Nipple, Black ⅛" N.P.T Close (Purchase Locally)
16	561-541-199	Tee, Black ⅛" N.P.T. (Purchase Locally)
17	383-300-425	1" Conversion To V8943A Kit (Convert From V88/V8843P To 8943A)
	383-300-426	1¼" Conversion V8943A Kit (Convert From V88 or V8843P To V8943A)
18	511-044-346	Combination Gas Valve, 1" N.P.T., Propane
	511-044-218	Combination Gas Valve, 1¼" N.P.T., Propane
N/S	511-044-279	Combination Gas Valve, 1" N.P.T. Propane 7000DERHC-LP, LGB 4-5

## LGB - 5 - Series 2 CSD - 1 Common Parts

Part No.	Description
511-246-290	Manual Gas Valve, 1" N.P.T
511-246-325	Manual Gas Valve, 1" with 2 1/8" taps
511-246-339	Leak Test Valve
511-044-039	Pilot Gas Valve
510-933-195	Pilot Gas Shut Off Valve, 3/4"
511-246-345	Pilot Tubing, Aluminum, 1/4" x 20", 2 Pieces Required
560-742-880	Pilot Line Union, 1/4"
510-933-195	Pilot Regulator
561-643-450	Pilot Tubing, 1/4" (Purchase Locally)
511-330-086	Ignition Control Module - With 2 Alarm Terminals
510-350-226	Impulse Relay
511-624-580	Push-Button Switch
511-624-581	Lens Cover (Push-Button Switch)
Purchase Locally	Light Bulb (Push Button Switch)
511-842-364	Transformer, 120/24 Volt, 75 VA, Foot Mounted With Circuit Breaker
<b>Natural Gas Parts</b>	
511-044-287	Combination Gas Valve, 1"
511-330-221	Electronic Pilot Burner, With Orifice, Spark and Sense Connections
<b>Propane Gas Parts</b>	
383-300-410	Standing Pilot Burner
511-724-245	Thermocouple, 48"
511-330-229	Pilot Switch Box
511-246-340	Pilot Shut Off Valve-Standing Pilot Line
511-044-279	Combination Gas Valve, 1"



LGB - Series 2  
CSD - 1 Controls  
Universal Control System

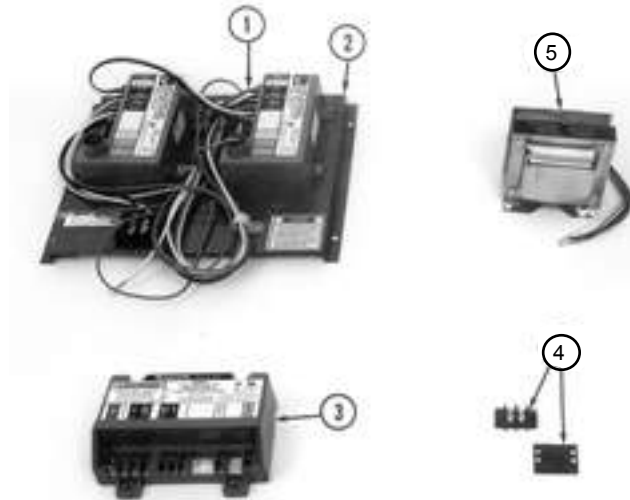
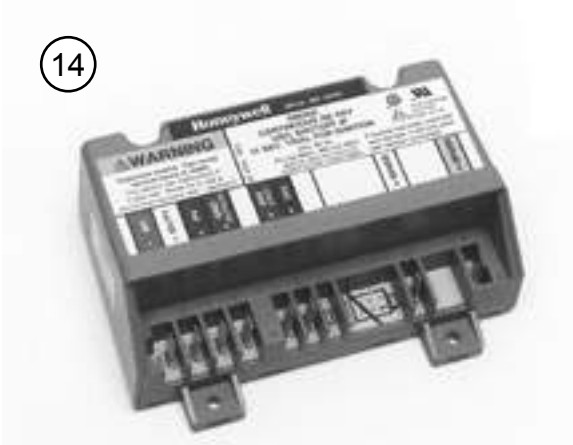


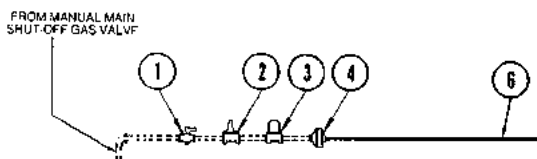
Fig. No.	Part No.	Description	Qty Per Boiler Size		
			4-5	6-12	13-23
<b>Universal Controls Ignition/Sensing Control Modules</b>					
1	511-330-097	Flame Sense Module, 24 Volt	1	1	2
2	510-811-456	Universal Control System-(Includes Panel With Modules,Pilot Assembly, Wiring,Hardware and Instructions)			
3	511-330-097	Intermittent Pilot Ignition Module, 24 Volt		1	2
4	512-050-013	Terminal Block	1	1	2
5	511-842-364	Control Transformer, 120/24 Volt, 75 VA Foot Mounted With Circuit Breaker	1	1	2
<b>CSD-1 Controls</b>			5	6-12	13-20
N/S	511-330-086	Pilot Proving Module	1	1	2
	511-330-085	Main Flame Proving Module	1	1	2
	510-350-226	Impulse Relay	1	1	2
			1	1	2
	511-624-580	Push Button Switch	1	1	2
			1	1	2
	511-624-581	Lens Cover	1	1	2
		Light Bulb	1	1	2
510-933-195	Pilot Regulator Set At 6.0" W.C.				

GAS

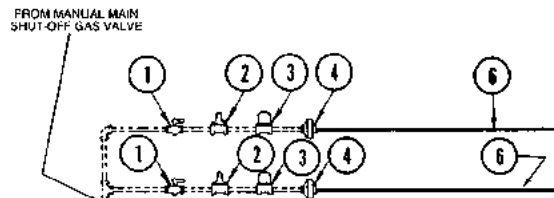
# LGB - Series 2 IRI / FM Control System



**IRA AND FM  
PILOT TRAIN GAS PIPING DIAGRAM  
LGB-6 THROUGH LGB-12 BOILERS**



**IRA AND FM  
PILOT TRAIN GAS PIPING DIAGRAM  
LGB-13 THROUGH LGB-23 BOILERS**



LGB - Series 2  
IRI / FM Control System Parts

Fig. No.	Part No.	Description	Qty Per Boiler Size	
			6-12	13-23
<b>IRI and FM Pilot Line Gas Train Components</b>				
1	511-246-345	Pilot Line Manual Shut-Off Gas Valve, ¼" N.P.T. Male x ¼" N.P.T. Female	1	2
2	510-933-195	Pilot Line Gas Pressure Regulating Valve, 3.5-7.0" W.C. Outlet Adjustment Range, ¼" N.P.T.	1	2
3	511-044-040	Pilot Line Solenoid Gas Valve, Quick Opening, 120 Volt, ¼" N.P.T.	1	2
4	560-742-915	Pilot Line Aluminum Tubing, ¼" O.D. x 100" Coil	1	2
<b>IRI and FM Pilots, Flame Sensing and Ignition Components</b>				
5	511-330-181	Combination Pilot Burner With Flame Rod, Ignition Electrode, and Natural Gas Orifice, 0.026" Dia.	1	1
6	511-330-221	N/G PIN Pilot Burner Assembly With Pilot Burner, Orifice, Sensing Lead and Ignition Cable		1
7	460-005-624	Combination Pilot Burner Mounting Bracket	1	2
8	591-850-140	Rajah Connector, Female, Connects Sensing Cable To Q179C Pilot	1	1
9	591-391-798	Ignition Cable, 36" Long, For Q179C Pilot	1	1
10	511-724-274	Main Flame Sensor	1	1
11	423-300-420	Main Flame Sensor Mounting Bracket	1	1
12	590-849-236	Flame Rod Cable For Main Flame Sensor and Q179C Pilot (Feet Required)	4	4
13	511-802-625	Ignition Transformer, 120 Volt, 6,000 Volt Output		
14	511-330-097	Pilot Proving Ignition/Sensing Control Module, 24 Volt, Q348A Pilot	-	1
			-	1
15	510-312-166	Control Transformer/Relay Receptacle 120/24 Volt, 40 VA, Plate Mounted, For Universal Control System (UCS) Ignition Sensing Control	-	1
			-	1

GAS

**LGB - Series 2**  
**IRI / FM Main Gas Control Train Components**  
**7" W.C. Natural Gas Supply Pressure**

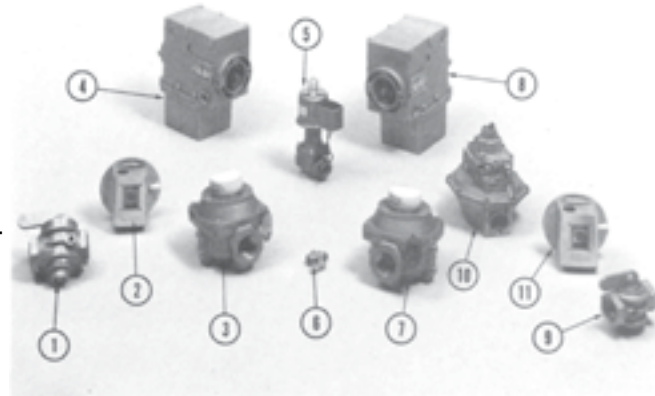
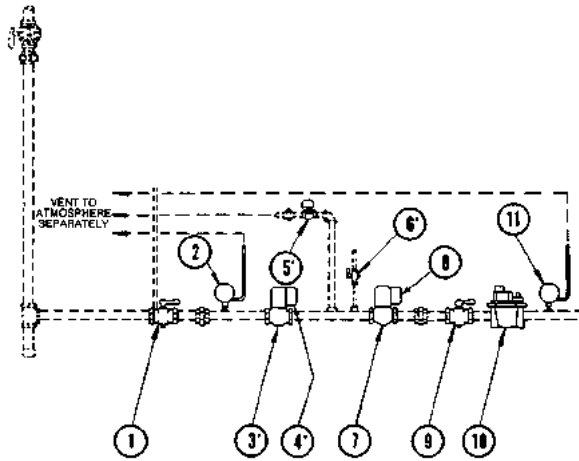


Fig. No.	Part No.	Description	Boiler Size
1,9	511-246-325	Manual Main Shut-Off Gas Valve, 1" N.P.T., With 1/8" N.P.T. Female Pilot Take-Off Tapping and 1/4" N.P.T. Female Downstream Pressure Tapping, Lubricated Type	5,6,7
	511-246-330	Manual Main Shut-Off Gas Valve, 1 1/4" N.P.T., With 1/8" N.P.T. Female Pilot Take-Off Tapping and 1/4" N.P.T. Female Downstream Pressure Tapping, Lubricated Type	8,9,10
	511-246-300	Manual Main Shut-Off Gas Valve, 1 1/2" N.P.T., With 1/8" N.P.T. Female Pilot Take-Off Tapping and 1/4" N.P.T. Female Downstream Pressure Tapping, Lubricated Type	11-18
	511-246-305	Manual Main Shut-Off Gas Valve, 2" N.P.T., With 1/8" N.P.T. Female Pilot Take-Off Tapping and 1/4" N.P.T. Female Downstream Pressure Tapping, Lubricated Type	19-23
2	511-624-550	Low Gas Pressure Switch, SPDT, Manual Reset, Lockout on Pressure Fill, Diaphragm Type, 3.0-21.0" W.C. Range, 1.0-3.0" W.C. Differential, 1/4" N.P.T. Female Connector, 1/8" N.P.T. Female Vent Connector, With Switch Position Indicator	All Sizes
3,7	510-744-315	Motorized Gas Valve Small Body, With 1/4" N.P.T. Female Downstream Pressure Tapping	5 - 17
N/S	511-044-170	1" Pipe Flange Adapter For Gas Valve Body	5,6,7
	511-044-171	1 1/4" Pipe Flange Adapter For Gas Valve Body	8,9,10
	511-044-172	1 1/2" Pipe Flange Adapter For Gas Valve Body	11-18
	511-044-173	2" Pipe Flange Adapter For Gas Valve Body	19-23
4,8	510-744-317	Fluid Power Gas Valve Actuator, On/ Off, 120 Volt	5 -23
N/S*	511-044-176	Adapter For Solenoid Vent Valve (Fits Small Valve Body)	All sizes
5*	511-046-340	Solenoid Vent Valve, Normally Open, Quick Closing, 120 Volt, 3/4" N.P.T.	5 - 13
	511-046-342	Solenoid Vent Valve, Normally Open, Quick Closing, 120 Volt, 1" N.P.T.	14-23
6	511-210-415	Test Cock, 1/4" N.P.T.	All Sizes

GAS

**LGB - Series 2**  
**IRI / FM Main Gas Control Train Components**  
**7" W.C. Natural Gas Supply Pressure**

10	511-048-503	Combination Gas Control Valve, 1" N.P.T., 120 Volt, With Low Fire Operator, High Fire Operator, and Main Pressure Regulator, 1/8" N.P.T. Downstream Pressure Tapping	5,6,7
	511-048-502	Combination Gas Control Valve, 1 1/4" N.P.T., 120 Volt, With Low Fire Operator, High Fire Operator, and Main Pressure Regulator, 1/8" N.P.T. Downstream Pressure Tapping	8 -10
	511-048-501	Combination Gas Control Valve, 1 1/2 " N.P.T., 120 Volt, With Low Fire Operator, High Fire Operator, and Main Pressure Regulator, 1/8" N.P.T. Downstream Pressure Tapping	11-13
	511-048-500	Combination Gas Control Valve, 2" N.P.T., 120 Volt, With Low Fire Operator, High Fire Operator, and Main Pressure Regulator, 1/8" N.P.T. Downstream Pressure Tapping	14-23
11	511-624-555	High Gas Pressure Switch, SPDT, Manual Reset, Lockout on Pressure Rise, Diaphragm Type, 3.0- 21.0" W.C. Range, 1.0-3.0" W.C. Differential, 1/4" N.P.T. Female Connector, 1/8" N.P.T. Female Vent Connector, With Switch Position Indicator	All Sizes

**LGB - Series 2**  
**IRI / FM Main Gas Control Train Components**  
**5.5" W.C. Natural Gas Supply Pressure**

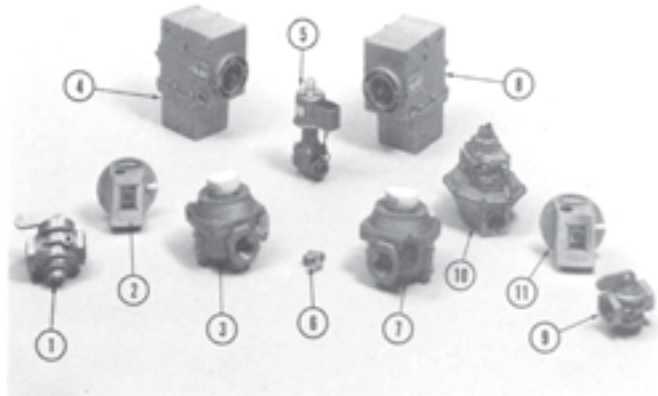
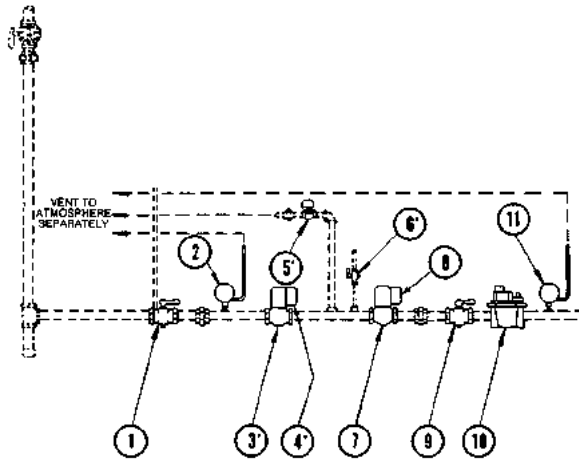


Fig. No.	Part No.	Description	Boiler Size
1,9	511-246-330	Manual Main Shut-Off Gas Valve, 1¼" N.P.T., With ⅛" N.P.T. Female Pilot Take-Off Tapping and ¼" N.P.T. Female Downstream Pressure Tapping, Lubricated Type	5,6,7
	511-246-300	Manual Main Shut-Off Gas Valve, 1½" N.P.T., With ⅛" N.P.T. Female Pilot Take-Off Tapping and ¼" N.P.T. Female Downstream Pressure Tapping, Lubricated Type	8
	511-246-305	Manual Main Shut-Off Gas Valve, 2" N.P.T., With ⅛" N.P.T. Female Pilot Take-Off Tapping and ¼" N.P.T. Female Downstream Pressure Tapping, Lubricated Type	9 - 17
	511-246-310	Manual Main Shut-Off Gas Valve, 2½" N.P.T., With ¼" N.P.T. Female Pilot Take-Off Tapping and ¼" N.P.T. Female Downstream Pressure Tapping, Lubricated Type	18 - 20
	511-210-431	Manual Main Shut-Off Gas Valve, 3" N.P.T., With ¼" N.P.T. Female Pilot Take-Off Tapping and ¼" N.P.T. Female Downstream Pressure Tapping, Lubricated Type	21-23
2	511-624-550	Low Gas Pressure Switch, SPDT, Manual Reset, Lockout on Pressure Fill, Diaphragm Type, 3.0-21.0" W.C. Range, 1.0-3.0" W.C. Differential, ¼" N.P.T. Female Connector, ⅛" N.P.T. Female Vent Connector, With Switch Position Indicator	All Sizes
3,7	510-744-315	Motorized Gas Valve Small Body, With ¼" N.P.T. Female Downstream Pressure Tapping	5 - 17
N/S	511-044-171	1¼" Pipe Flange Adapter For Gas Valve Body	5,6,7
	511-044-172	1½" Pipe Flange Adapter For Gas Valve Body	8
	511-044-173	2" Pipe Flange Adapter For Gas Valve Body	9 - 17
3,7	510-744-316	Motorized Gas Valve Large Body, With ¼" N.P.T. Female Downstream Pressure Tapping	18 - 23
N/S	511-044-174	2½" Pipe Flange Adapter For Gas Valve Body	18 - 20
N/S	511-044-175	3" Pipe Flange Adapter For Gas Valve Body	21 - 23
4,8	510-744-317	Fluid Power Gas Valve Actuator, On/Off, 120 Volt	5 -23
N/S*	511-044-176	Adapter For Solenoid Vent Valve (Fits Small Valve Body)	5 - 17
	511-044-177	Adapter For Solenoid Vent Valve (Fits Large Valve Body)	18 - 23

**GAS**

**LGB - Series 2**  
**IRI / FM Main Gas Control Train Components**  
**5.5" W.C. Natural Gas Supply Pressure**

5*	511-046-340	Solenoid Vent Valve, Normally Open, Quick Closing, 120 Volt, ¾" N.P.T.	5 - 8
	511-046-342	Solenoid Vent Valve, Normally Open, Quick Closing, 120 Volt, 1" N.P.T.	9 - 17
	511-046-344	Solenoid Vent Valve, Normally Open, Quick Closing, 120 Volt, 1¼" N.P.T.	18 - 23
6	511-210-415	Test Cock, ¼" N.P.T.	All Sizes
10	511-048-502	Combination Gas Control Valve, 1¼" N.P.T., 120 Volt, With Low Fire Operator, High Fire Operator, and Main Pressure Regulator, ⅝" N.P.T. Downstream Pressure Tapping	5 - 7
	511-048-501	Combination Gas Control Valve, 1½" N.P.T., 120 Volt, With Low Fire Operator, High Fire Operator, and Main Pressure Regulator, ⅝" N.P.T. Downstream Pressure Tapping	8
	511-048-500	Combination Gas Control Valve, 2" N.P.T., 120 Volt, With Low Fire Operator, High Fire Operator, and Main Pressure Regulator, ⅝" N.P.T. Downstream Pressure Tapping	9 - 23
11	511-624-555	High Gas Pressure Switch, SPDT, Manual Reset, Lockout on Pressure Rise, Diaphragm Type, 3.0-21.0" W.C. Range, 1.0-3.0" W.C. Differential, ¼" N.P.T. Female Connector, ⅝" N.P.T. Female Vent Connector, With Switch Position Indicator	All Sizes

**LGB-6 Through LGB-12 - Series 2**  
**IRI / FM Flame Guardian WMBC-1A Control System**  
**Pilot Proving / Main Flame Proving System**

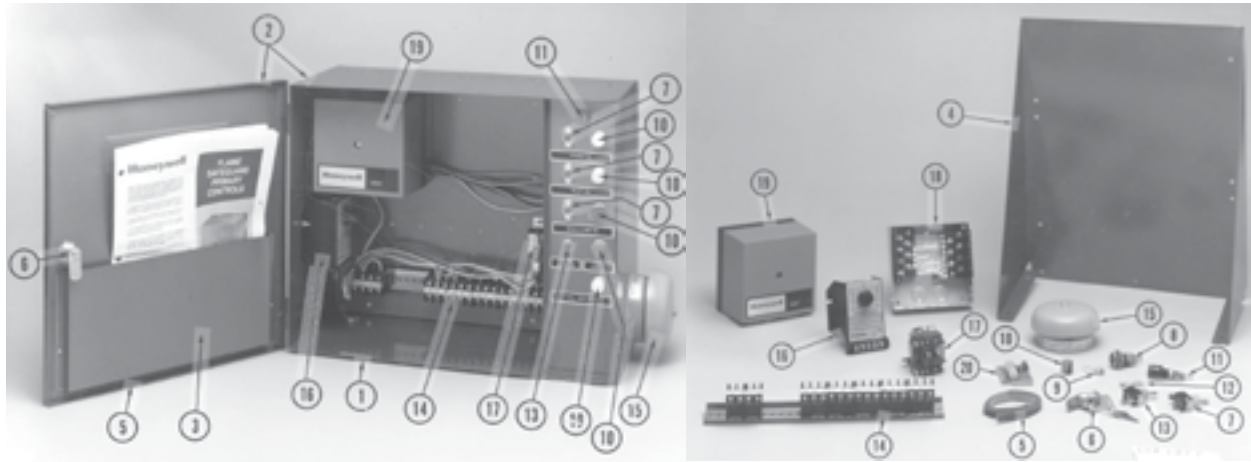


Fig. No.	Part No.	Description	Qty Per System
6	591-850-003	Door Lock and Key set (Two keys)	1 Set
7	511-624-575	Power on Manual Toggle Switch, SPST, 24 Volt or 120 Volt	1
8	591-850-205	Indicating Lamp Holder, 24 Volt or 120 Volt	2
9	591-850-370	Indicating Lamp Bulb, 24 Volt, Incandescent	2
10	591-850-200	Indicating Lamp Lens, Lexan, Screw-On White, Power On	1
	591-850-200	Indicating Lamp Lens, Lexan, Screw-On White, Call For Heat	1
	591-850-201	Indicating Lamp Lens, Lexan, Screw-On Blue, Gas Valve On	1
	591-850-202	Indicating Lamp Lens, Lexan, Screw On Yellow, Pilot On	1
	591-850-203	Indicating Lamp Lens, Lexan, Screw-On Red, Flame Failure	1
11	591-850-180	Fuse Holder Panel, 24 Volt or 120 Volt	1
12	591-850-183	Fuse, 24 Volt, 6 Amps	1
13	511-624-576	Manual Toggle Switch, SPDT, 24 Volt or 120 Volt, Used For Alarm Silencing	1
15	511-802-615	Alarm Bell, 4" Dia., 120 Volt, Designed For Cabinet Mounting	1
16	510-350-430	Purge Timer Kit, 120 Volt, 0-5 Min., Adjustable Delay, Provides 5 Minute Enforced Wait-Purge In The Event of Flame Failure	1
17	510-311-012	Control Relay, DPDT, 120 Volt Holding Coil	1
18	510-350-433	Flame Safeguard Control Mounting and Wiring Sub-base, Four Sides	1
19	510-350-431	Flame Safeguard Burner Primary Control, Flame Rectification, 120 Volt, 3 sec. Nominal Flame Response Timing, 10 sec. Timed Trial For Pilot, 10 sec. Timed Trial For Main Flame, Lock-Out on interlocking Contact Failure	1
20	510-350-432	Flame Safeguard Control Plug-in Pre-Purge Timer, 2 Sec. Purge	1

GAS



LGB-6 Through LGB-12 - Series 2  
 IRI / FM Flame Guardian WMBC-1A Control System  
 Pilot Proving / Main Flame Proving System Continued

Fig. No.	Part No.	Description	Qty Per System
N/S	510-350-434	Flame Amplifier	
	510-350-435	Display Module	

**LGB-13 Through LGB-23 - Series 2**  
**IRI / FM Flame Guardian WMBC-2A Control System**  
**Pilot Proving / Main Flame Proving System**

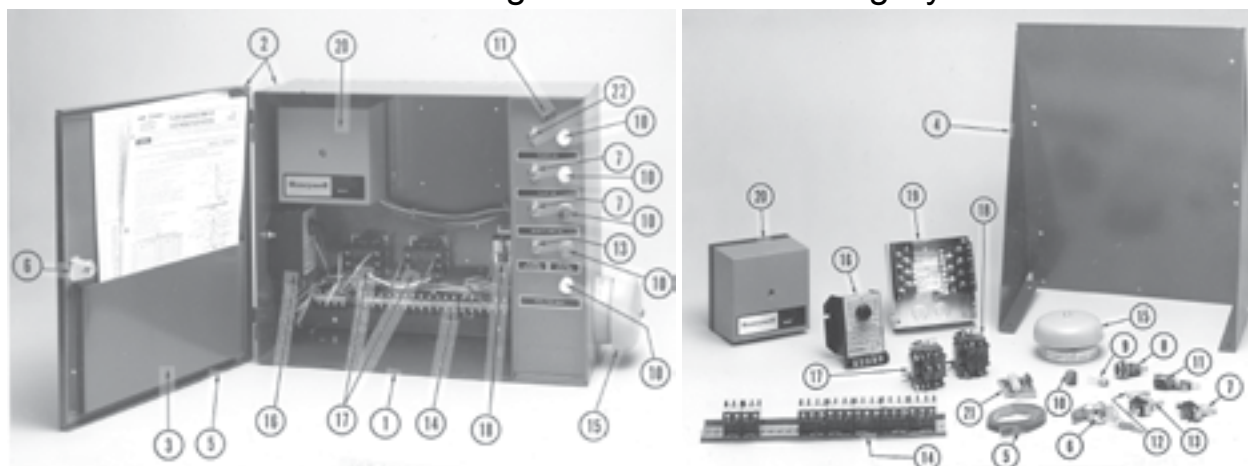


Fig. No.	Part No.	Description	Qty Per System
6	591-850-003	Door Lock and Key Set (Two keys)	1
7	511-624-575	Power on Manual Toggle Switch, SPST, 24 Volt or 120 Volt	3
8	591-850-205	Indicating Lamp Holder, 24 Volt or 120 Volt	5
9	591-850-370	Indicating Lamp Bulb, 24 Volt, Incandescent	5
10	591-850-200	Indicating Lamp Lens, Lexan, Screw-On White, Power On	1
	591-850-200	Indicating Lamp Lens, Lexan, Screw-On White, Call For Heat	1
	591-850-201	Indicating Lamp Lens, Lexan, Screw-On Blue, Gas Valve On	1
	591-850-202	Indicating Lamp Lens, Lexan, Screw-On Yellow, Pilot On	1
	591-850-203	Indicating Lamp Lens, Lexan, Screw-On Red, Flame Failure	1
11	591-850-180	Fuse Holder Panel, 24 Volt or 120 Volt	2
12	591-850-183	Fuse, 24 Volt, 6 Amps	2
13	511-624-576	Manual Toggle Switch, SPDT, 24 Volt or 120 Volt, Used For Alarm Silencing	1
14	512-050-026	Terminal Block Set	1
15	511-802-615	Alarm Bell, 4" Dia., 120 Volt, Designed For Cabinet Mounting	1
16	510-350-430	Purge Timer Kit, 120 Volt, 0-5 Min., Adjustable Delay, Provides 5 Minute Enforced Wait-Purge In The Event of Flame Failure	1
17	510-311-012	Control Relay, DPDT, 120 Volt Holding Coil	1
18	510-350-221	Control Relay, SPST, 24 Volt Holding Coil	2
19	510-350-433	Flame Safeguard Control Mounting and Wiring Sub-base, Four Sides	1
20	510-350-431	Flame Safeguard Burner Primary Control, Flame Rectification, 120 Volt, 3 sec. Nominal Flame Response Timing, 10 sec. Timed Trial For Pilot, 10 sec. Timed Trial For Main Flame, Lock-Out on interlocking Contact Failure	1
21	510-350-432	Flame Safeguard Control Plug-in Pre-Purge Timer, 2 Sec. Purge	1
22	511-624-578	Manual Toggle Switch, Used For Power On, Reset	1

LGB-13 Through LGB-23 - Series 2  
 IRI / FM Flame Guardian WMBC-2A Control System  
 Pilot Proving / Main Flame Proving System Continued

Fig. No.	Part No.	Description	Qty Per System
N/S	510-350-434	Flame Amplifier	
	510-350-435	Display Module	

LGB-6 Through LGB-12 - Series 2  
 Flame Guardian WFFP-1 Control System  
 Pilot Proving / Main Flame Proving System

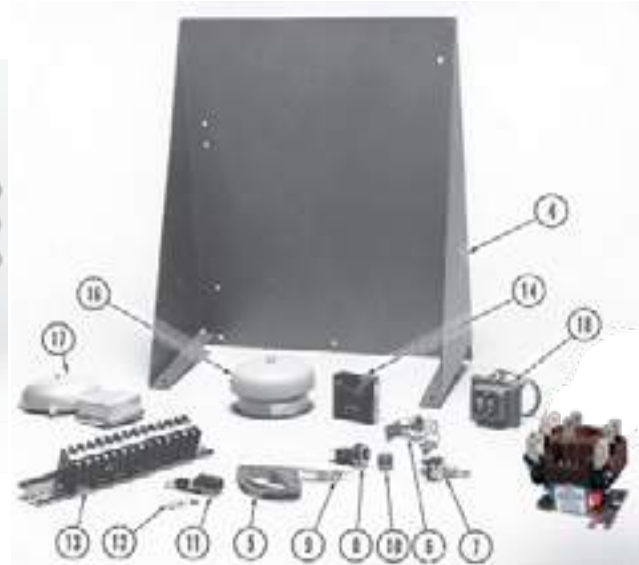
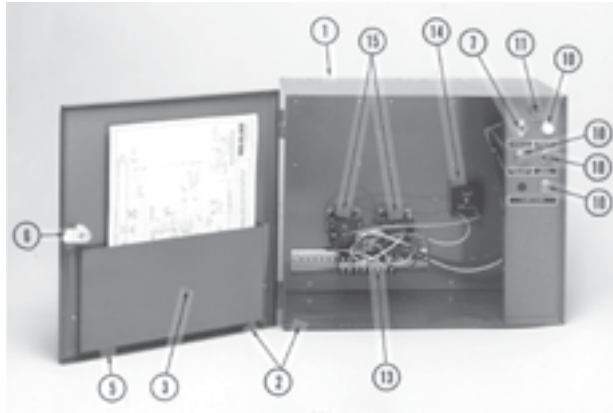


Fig. No.	Part No.	Description	Qty Per WFFP-1 System
6	591-850-003	Door Lock and Key Set (Two Keys)	1 Set
7	511-624-575	Power In Manual Toggle Switch, SPST, 24 Volt or 120 Volt	1
8	591-850-205	Indicating Lamp Holder, 24 Volt or 120 Volt	4
9	591-850-365	Indicating Lamp Bulb, 24 Volt, Incandescent	4
10	591-850-200	Indicating Lamp Lens, Lexan, Screw-On Type-white, Call For Heat	
	591-850-201	Indicating lamp Lens, Lexan, Screw-On Type-Blue, Pilot Proven	1
	591-850-210	Indicating Lamp Lens, Lexan, Screw-On Type-Green, Main Flame Proven	
	591-850-203	Indicating Lamp Lens, Lexan Screw-On Type-Red, Flame failure	1
11	591-850-180	Fuse Holder Panel, 24 Volt or 120 Volt	1
12	591-850-183	Fuse, 24 Volt, 6 Amps	1
13	512-050-026	Terminal Block Set	1
14	570-350-370	Delay Timer, 24 Volt, 5 Min. Delay	1
16	511-802-615	Alarm Bell, 4" Dia., 120 Volt, Designed For Cabinet Mounting	
17	511-802-621	Alarm Bell, 2" Dia., 12 Volt, Designed For Remote Mounting	
18	511-802-620	Transformer, 120/12 Volt, For Use With 2" Dia. Alarm Bell	

**LGB-13 Through LGB-23 - Series 2  
Flame Guardian WFFP-2 Control System  
Pilot Proving / Main Flame Proving System  
With Prewired Control Cabinet**

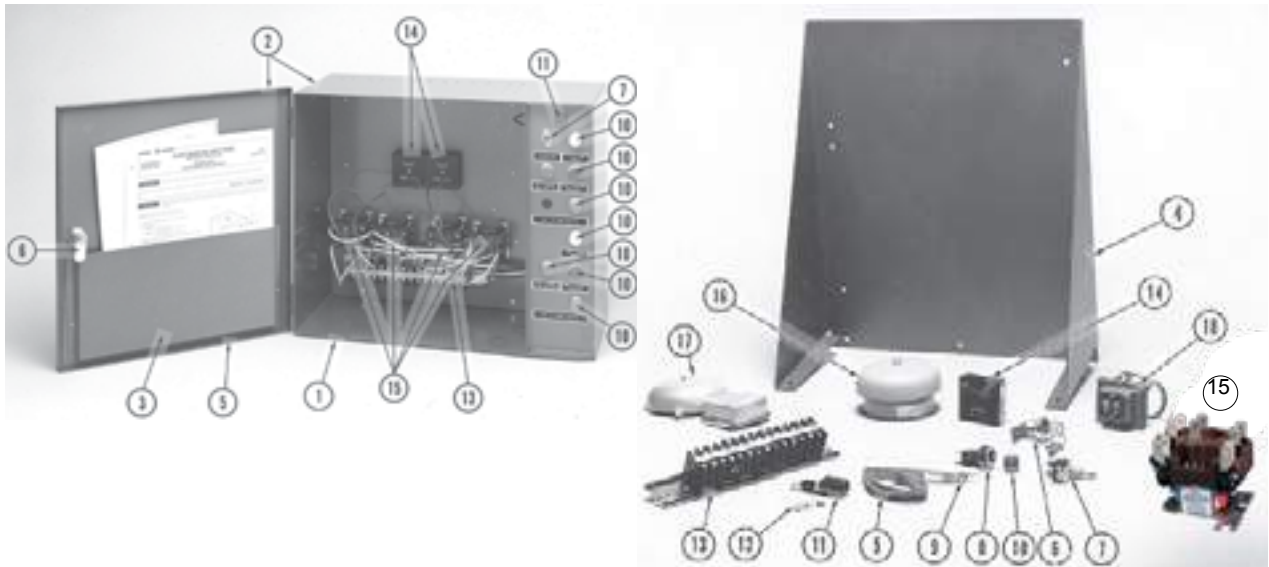


Fig. No.	Part No.	Description	Qty Per WFFP-2 System
1	383-300-190	WFFP-2 Flame Guardian Control System - Complete With Cabinet, Internal Components, and Mounting Bracket	1
6	591-850-003	Door Lock and Key Set (Two Keys)	1 Set
7	511-624-575	Power On Manual Toggle Switch, SPST, 24 Volt or 120 Volt	1
8	591-850-205	Indicating Lamp Holder, 24 Volt or 120 Volt	8
9	591-850-365	Indicating Lamp Bulb, 24 Volt, Incandescent	8
10	591-850-200	Indicating Lamp Lens, Lexan, Screw-On White, Power On	2
	591-850-201	Indicating Lamp Lens, Lexan, Screw-On Blue, Gas Valve On	2
	591-850-210	Indicating Lamp Lens, Lexan, Screw-On Blue, Pilot Proven	2
	591-850-203	Indicating Lamp Lens, Lexan, Screw-On Red, Flame Failure	2
11	591-850-180	Fuse Holder Panel, 24 Volt or 120 Volt	1
12	591-850-183	Fuse, 24 Volt, 6 Amps	1
13	512-050-026	Terminal Block Set	1
14	570-350-370	Delay Timer, 24 Volt, 5 Min. Delay	2
15	510-311-019	Control Relay, DPDT, 24 Volt Holding Coil	4
19	511-802-615	Alarm Bell, 4" Dia., 120 Volt, Designed For Cabinet Mounting	
17	511-802-621	Alarm Bell, 2" Dia., 120 Volt, Designed For Cabinet Mounting	
18	511-802-620	Transformer, 120/12 Volt, For Use On 2" Dia. Alarm Bell	

## LGB - Series 2 Water Trim

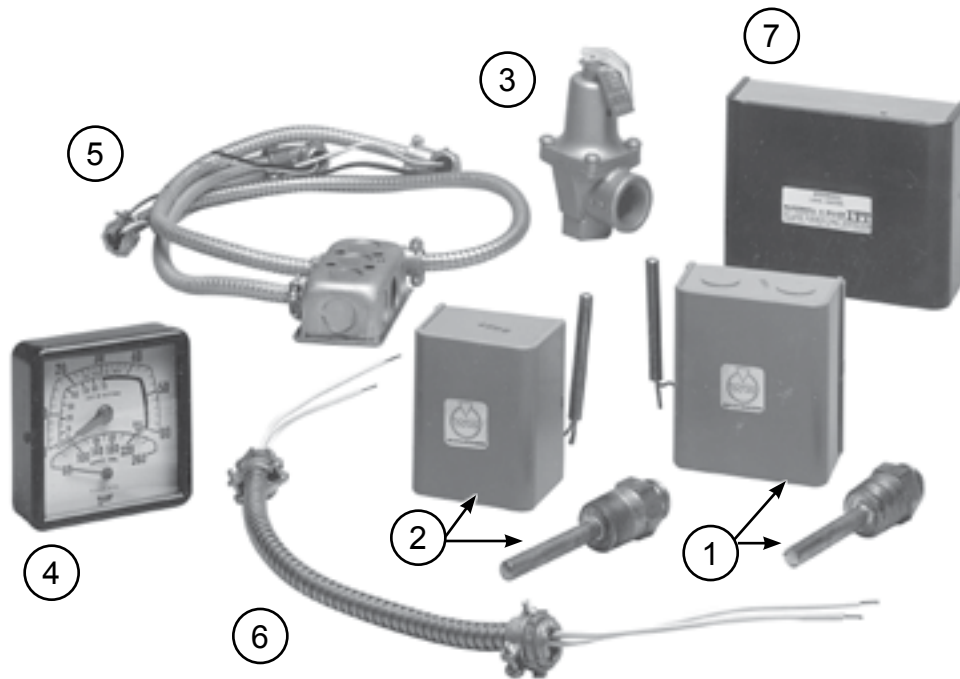


Fig. No.	Part No.	Description	Boiler Size
1	510-312-065	Combination Operating and High Limit Control, DPST, Automatic Recycle, Less Well. Operating Limit: 100 - 220° Range With 10-35°F Adjustable Subtractive Differential. High Limit: 140-240°F Range With 10°F Fixed Subtractive Differential.	4 - 20
2	510-312-209	High Limit Temperature Control, SPST Automatic Recycle, 140-240°F Range, 10°F Fixed Subtractive Differential With ¾" N.P.T. Control Well (Separate Controls Used For Operating and High Limit Function For LGB-21 Through LGB-23 Boilers)	21 - 23
3	383-600-091	ASME Pressure Relief Valve, Set To Relieve At 30 PSIG, ¾" N.P.T. Male Inlet x ¾" N.P.T. Female Outlet; Side Outlet Type	4 - 5 4 - 5
	383-600-063	ASME Pressure Relief Valve, Set To Relieve At 30 PSIG, ¾" N.P.T. Male Inlet x 1" N.P.T. Female Outlet; Side Outlet Type	6 - 9
	383-600-092	ASME Pressure Relief Valve, Set To Relieve At 30 PSIG, 1" N.P.T. Male Inlet x 1¼" N.P.T. Female Outlet; Side Outlet Type	10 - 13
	383-600-093	ASME Pressure Relief Valve, Set To Relieve At 30 PSIG, 1¼" N.P.T. Male Inlet x 1½" N.P.T. Female Outlet; Side Outlet Type	14 - 20
	383-600-094	ASME Pressure Relief Valve, Set To Relieve At 30 PSIG, 1½" N.P.T. Male Inlet x 2" N.P.T. Female Outlet; Side Outlet Type	21 - 23
4	510-218-065	Combination Pressure-Temperature Gauge, 0-50 PSIG, 60-260°F Back Connection, ½" N.P.T.	All Sizes
5	591-319-793	Temperature Control Wiring Harness	21 - 23
6	591-319-801	Water Trim Wiring Harness	4-23
7	511-114-528	Electrode Type Low Water Cut-Off, 120 Volt, SPDT, Automatic Recycle, 160 PSIG Rated, ½" N.P.T. Male Electrode	All Sizes
N/S	592-300-006	Well, ¾" N.P.T	

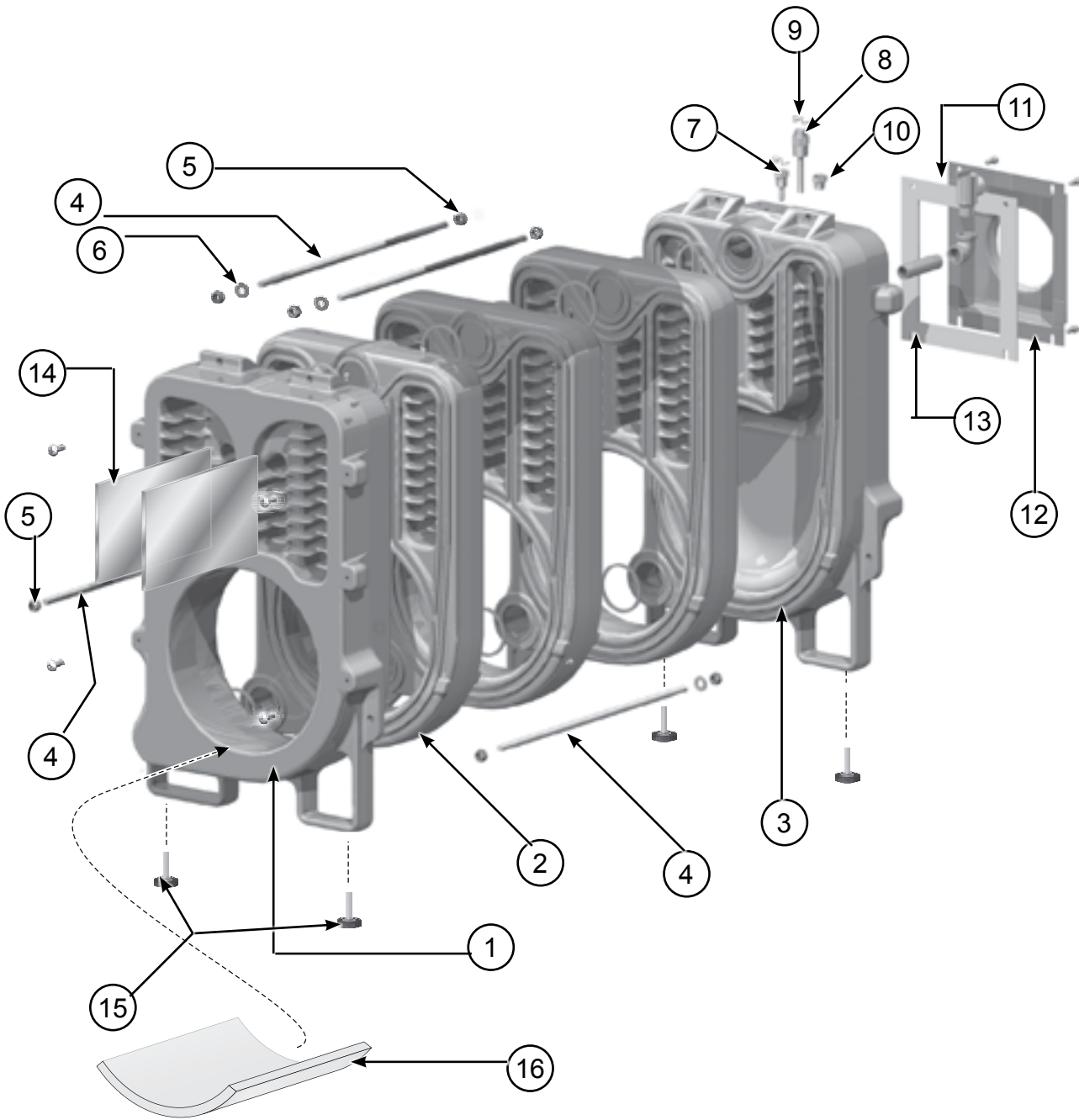
## LGB - Series 2 Steam Trim



Fig. No.	Part No.	Description	Boiler Size
1	510-312-135	High Limit Steam Pressure Control, SPST, Automatic Recycle, 0-9 PSIG Range, 0-5 PSIG Adjustable Additive Differential, Bottom Connection, ¼" N.P.T. Male	All
	510-312-106	High Limit Steam Pressure Control, SPST, Automatic Recycle, 0-9 PSIG Range, 0-5 PSIG Adjustable Additive Differential, Bottom Connection, ¼" N.P.T. Male	All
2	383-600-107	ASME Steam Safety Relief Valve, Set To Relieve At 15 PSIG, Side Outlet, 1" N.P.T. Male Inlet x 1" N.P.T. Female Outlet, 643 Lbs/Hr Capacity	4 - 7
	383-600-108	ASME Steam Safety Relief Valve, Set To Relieve At 15 PSIG, Side Outlet, 1¼" N.P.T. Male Inlet x 1½" N.P.T. Female Outlet, 1200 Lbs/Hr Capacity	8 - 12
	383-600-109	ASME Steam Safety Relief Valve, Set To Relieve At 15 PSIG, Side Outlet, 1½" N.P.T. Male Inlet x 2" N.P.T. Female Outlet, 1900 Lbs/Hr Capacity	13 - 19
	383-600-110	ASME Steam Safety Relief Valve, Set To Relieve At 15 PSIG, Side Outlet, 2" N.P.T. Male Inlet x 2" N.P.T. Female Outlet, 2500 Lbs/Hr Capacity	20 - 23
3	510-218-100	Combination Pressure-Vacuum Gauge, 0-30 PSIG, 0-30" Hg., 4½" Dial, Bottom Connection, ¼" N.P.T. Spec 04459	All
4	383-600-002	Water Gauge Glass Kit, ⅝" x 10⅝" With Gaskets and Brass Washers	All
5	563-334-595	Water Gauge Glass Guard, 3/16" Dia. X 12½" Long (2 Per Gauge Glass)	All
6	510-218-145	Water Gauge Glass Cocks, Set ½" N.P.T. Male Inlet	All
7	511-114-474	Float Type Low Water Cut-Off, SPCT, Automatic Recycle, 14 PSIG Rated, 1" N.P.T.	All
8	591-319-800	Steam Trim Wiring Harness	All



# Ultra Oil - Series 1 Through 3 Section Assembly



OIL



## Ultra Oil - Series 1 Through 3 Section Assembly Parts

Fig. No.	Part No.	Description
1	316-900-200	Boiler Front Section
2	316-900-210	Boiler Intermediate Section
3	316-900-220	Boiler Back Section
N/S	383-600-114	UO-3 Section Assembly
	383-600-115	UO-4 Section Assembly
	383-600-116	UO-5 Section Assembly
4	560-234-468	Tie Rods (4 Required) UO-3
	560-234-472	Tie Rods (4 Required) UO-4
	560-234-477	Tie Rods (4 Required) UO-5
5	561-928-221	Nuts (8 Required) - 1/2" ZP - Purchase Locally
6	562-248-668	Washers (4 Required)
7	592-300-025	P/T Gauge Temperature Sensor Well
8	592-300-026	Aquastat Well 3/4" x 4 1/4"
9	512-400-001	Mounting Clip For P/T Gauge and Limit Well
10	512-400-000	P/T Gauge Pressure Sensor Check Valve
12	446-900-000	Flue Collar
13	590-318-028	Flue Collar Gasket
N/S	386-902-002	Flue Collar Replacement Kit (Includes Flue Collar Plate, Gasket, and 4 Bolts)
14	452-800-455	Flueway Baffles - (For UO-3, 1.0 GPH Input <b>SERIES 1 &amp; 2 ONLY</b> ) (Two Required)
N/S	386-902-004	Front/Intermediate Section Replacement Kit (Includes: Seals & Rope)
	386-902-003	Back Section Replacement Kit (Includes: Seals, Rope, Flue Gasket)
15	386-902-013	Leveling Legs (4)
16	591-221-287	UO-3 Combustion Chamber Floor Blanket
	591-221-288	UO-4 Combustion Chamber Floor Blanket <b>-(Series 3 Only)</b>
	591-221-292	UO-5 Combustion Chamber Floor Blanket <b>-(Series 3 Only)</b>
N/S	591-706-241	Flueway Brush
	572-800-021	3.5" Square Cut Seal For Top and Bottom
	383-500-095	ASME Pressure Relief Valve, Set To Relief At 30 PSIG, 3/4" Male Inlet, 3/4" Female Outlet
<b>Flue Way Baffles Required For Series 3 Boilers</b>		
14	330-100-211	UO 3 / UO3R- Requires 2 Baffles
	330-100-212	UO 4 - Requires 2 Baffles
	330-100-213	UO 5 - Requires 2 Baffles

## Ultra Oil - Series 1 Through 3 Burner Door Parts

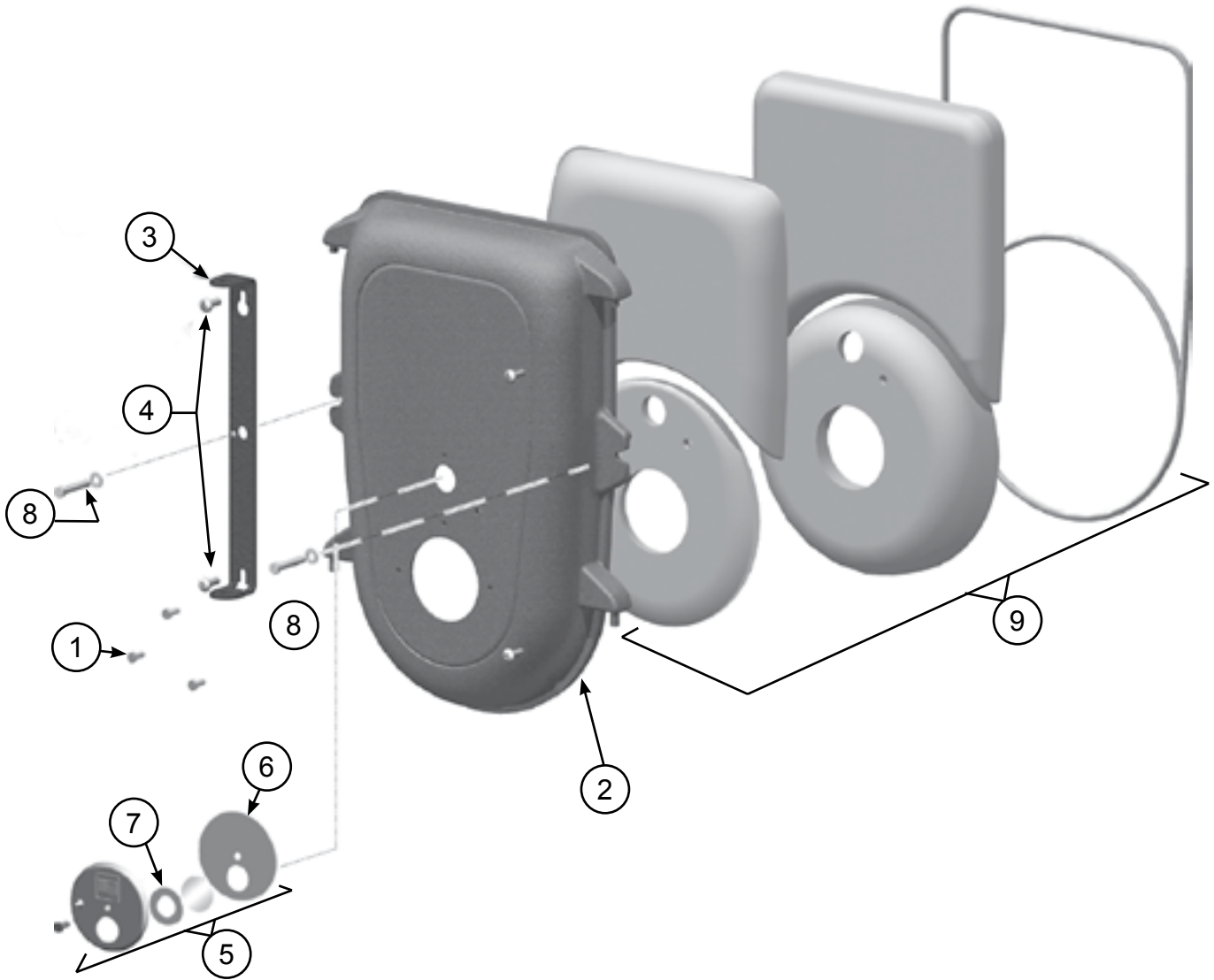


Fig. No.	Part No.	Description
1	Purchase locally	Burner Flange Bolts (3) Each, 5/16"-18 x 3/4" Hex HD SS
N/S	340-003-850	Burner Door Assembly - (Includes Parts In Figure 2, 5, and 9)
2	330-054-308	Burner Door
3	466-900-000	Burner Door Hinge Bracket
4	Purchase locally	Hinge Bracket Screws (2 Required), 3/8"-16 X 1
5	386-902-000	Observation Port Assembly (Includes: Observation Port, Bolt, Observation Port Gasket, Sight Glass Gasket, Sight Glass, Water Glass)
6	590-318-027	Observation Port Gasket (Requires Water Glass Adhesive)
N/S	591-632-612	Water Glass For Observation Port Gasket
7	590-317-580	Sight Glass Gasket
8	Purchase locally	Burner Door Retainer Bolts and Washers (2) Each, 3/8"-16 X 2" Hex HD ZP
9	386-902-001	Burner Door Insulation Kit (Includes: Refractories, Insulation, Blankets & Rope)
N/S	386-902-015	Beckett Air Adapter Kit For NX Burner

## Ultra Oil - Series 1 Through 3 Jacket / Control Parts

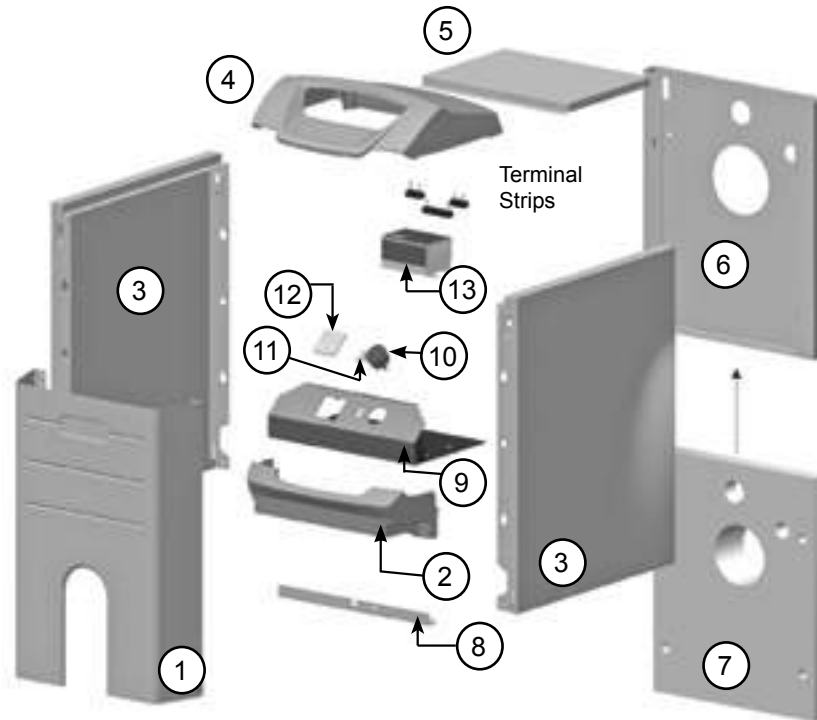


Fig. No.	Part No.	Description
1	386-902-005	Jacket Front Panel Assembly (Includes: Sheet Metal Plastic Striker)
2	595-000-009	Jacket Front Panel Plastic
3	426-900-002	Jacket Side Panel (Left and Right Sides Are The Same) UO-3
	426-900-003	Jacket Side Panel (Left and Right Sides Are The Same) UO-4
	426-900-004	Jacket Side Panel (Left and Right Sides Are The Same) UO-5
4	595-000-039	Control Pod Cover
5	426-900-005	Jacket Top Panel UO-3
	426-900-006	Jacket Top Panel UO-4
	426-900-007	Jacket Top Panel UO-5
6	426-900-001	Jacket Rear Panel (If Required Order Insulation Below)
7	591-222-181	Jacket Rear Panel Insulation
8	426-900-008	Jacket Cross-tie ( <b>SERIES 1 ONLY</b> )
N/S	591-222-178	Boiler Insulation UO-3
	591-222-179	Boiler Insulation UO-4
	591-222-180	Boiler Insulation UO-5
9	386-902-008	Control Tray Assembly (Includes: Tray, Limit Control, Terminal Strips ,P/T Gauge, On/Of Switch, Wiring, Labels) ( <b>SERIES 1 ONLY</b> )
10	510-218-052	Pressure/Temperature Gauge
11	511-624-645	ON/OFF Switch
12	595-000-010	Weil-McLain Logo Plate
13	386-902-006	High Limit Control Honeywell L7248L-1030 ( <b>SERIES 1 ONLY</b> )
N/S	386-902-011	Wire Harness Kit - (Includes Low and High Voltage Harness)
	510-512-270	Barometric Draft Control
	511-724-291	Limit Control Sensor
	386-902-016	Kit Strike and Latch
	592-002-032	Touch Up Paint - Putty - Low E 4.5oz Can

Ultra Oil - Series 1 Through 3  
Jacket / Control Parts Continued

<b>SERIES 2 &amp; 3</b>		
Fig. No.	Part No.	Description
8	426-900-009	Jacket Crosstie
9	386-902-018	Control Tray Assembly (Includes: Tray, Limit Control, Terminal Strips, P/T Gauge, On/Off Switch, Wiring, Labels)
12	595-000-010	Cover Control Bracket
13	386-902-019	High Limit Control, Hydrolevel, 3250 + Series 2 & 3
N/S	386-902-011	Wire Harness Kit - (Includes Low and High Voltage Harness)
	592-300-026	Well For Hydrostat, 3/4" N.P.T.
	383-500-126	Outdoor Sensor Kit For Hydrostat 3250
	511-700-001	Temperature Sensor Lead For Hydrostat, 48" In Length
<b>SERIES 1, 2, &amp; 3</b>		
N/S	386-900-004	Advanced Features Module Kit - (Includes Control Module, Remote Display Module, Outdoor Sensor, 2-Universal Sensors and Instructions)
	650-000-016	Outdoor Sensor For AFM Module
	650-000-095	Universal Sensor

OIL

# NOTES

## WGO- Series 1 Through 3 Section Assembly Parts

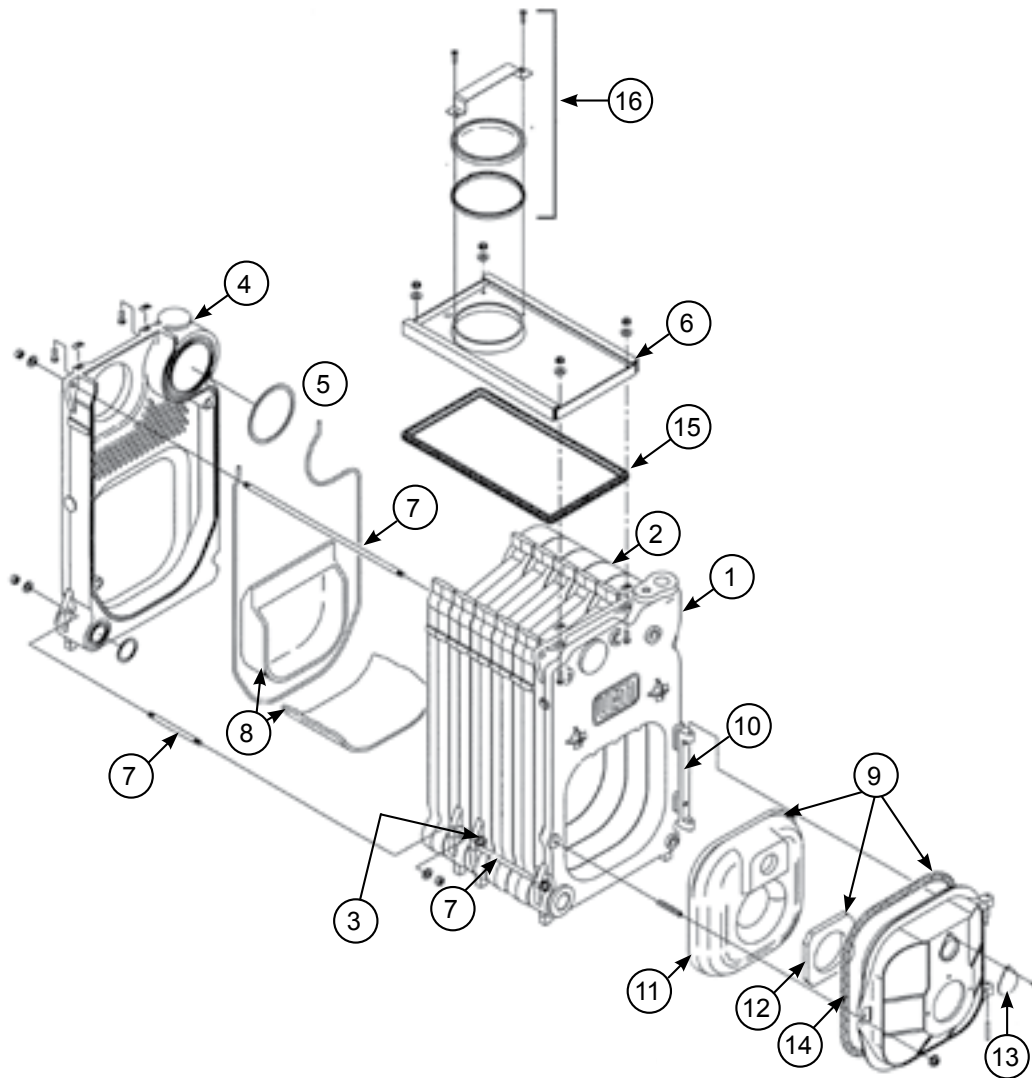


Fig. No.	Part No.	Description	Boiler Size								
			2	3	4	5	6	7	8	9	
1	316-700-270	Front Section, with Envelope, Fits Series 1,2 & 3, #7012	1	1	1	1	1	1	1	1	1
2	316-700-065	Intermediate Section, Narrow, #7015	1		2	3	4	3	4	5	
	316-700-075	Intermediate Section, Wide, #7010		1							
3	316-700-070	Intermediate Section, With Draw Rod Lugs, #7016							2	2	2
4	316-700-226	Section Back With 2½" Supply & 1½" Return, #7027	1	1	1	1	1	1	1	1	1
5	386-700-851	Intermediate Section Replacement Kit (Includes: Seals, Rope and Adhesive For Two Joints) Series 1, 2, 3	-	-	1	2	3	4	5	6	
	386-700-852	Front or Rear Section Replacement Kit (Includes: Seals, Rope, Adhesive and Collector Hood Fasteners) Series 3 Only	1	1	1	1	1	1	1	1	1
		Rear Section Replacement Kit (Includes: Seals, Rope, Adhesive and Collector Hood Fasteners) Series 1 & 2 Only	1	1	1	1	1	1	1	1	1
	386-700-855	Front Section Replacement Kit (Includes: Seals, Rope, Adhesive and Collector Hood Fasteners) Series 1 & 2 Only	1	1	1	1	1	1	1	1	1

## WGO- Series 1 Through 3 Section Assembly Parts

			Boiler Size									
			2	3	4	5	6	7	8	9		
N/S	386-700-650	Replacement Section Assembly Complete With Jacket For Series 1,2, and 3.	1									
	386-700-651			1								
	386-700-652				1							
	386-700-653					1						
	386-700-654						1					
	386-700-655							1				
	386-700-656		Replacement Section Assembly With Jacket							1		
	386-700-657										1	
6	386-700-336	Collector Hood Kit	1									
	386-700-337			1	1							
	386-700-338					1						
	386-700-339						1					
	450-020-188							1				
	450-020-189								1			
	450-020-190									1		
N/S	386-700-850	Collector Hood Hardware Kit-(Includes: (4) ¼" X 1¼" Bolts, (4) Nuts, (4) Washers, and (4) Tinnerman Nuts )	1	1	1	1	1	1	1	1	1	
7	560-234-464	Tie Rod ½" x 5½"							2	2	2	
	560-234-491	Tie Rod ½" x 12¼"	4					2				
	560-234-492	Tie Rod ½" x 12"						2	2			
	560-234-470	Tie Rod ½" x 14"		4	4				2	2		
	560-234-495	Tie Rod ½" x 15"								2		
	560-234-472	Tie Rod ½" x 17"				4						
	560-234-534	Tie Rod ½" x 20"					4					
	560-234-538	Tie Rod ½" x 23¼"						2				
	560-234-542	Tie Rod ½" x 26⅝"							2			
	560-234-497	Tie Rod ½" x 29½"								2		
N/S	561-928-221	Nut, Regular HEX, ½" (2 Per Rod) - Purchase Locally	8	8	8	8	8	16	16	16		
	562-248-668	Washer, Medium Split Plain Lock, ½" (1 Required Per Rod)	4	4	4	4	4	8	8	8		
8	386-700-355	Combustion Chamber Kit (Includes: Rear & Front Refractory, Blanket & Water Glass)	1	1	1	1	1	1	1	1		
9	386-700-358	Burner Mounting Door Assembly (Includes: Door, Observation Port, Rope, Insulation & Pins)	1	1	1	1	1	1	1	1		
10	381-355-797	Door Hinge Kit, Cast #7054, (Includes 1 Hinge, and Roll Pins)	2	2	2	2	2	2	2	2		
11	386-700-359	Door Refractory	1	1	1	1	1	1	1	1		
12	591-222-115	Door Refractory Blanket	1	1	1	1	1	1	1	1		
13	460-039-867	Observation Port Shutter	1	1	1	1	1	1	1	1		
14	590-735-104	Door Seal, ⅜" Rope, 55"	1	1	1	1	1	1	1	1		
15	590-735-109	Glass Rope, ⅜" For Collector Hood, 7'	1	1	1	1	1	1	1	1		
16	386-700-344	Flue Cap Kit	1	1	1	1	1	1	1	1		
N/S	591-706-214	Flue Brush	1	1	1	1	1	1	1	1		
	592-800-007	6" Top Seal										
	592-800-010	3" Bottom Seal										

## WTGO - Series 1 Through 3 Section Assembly Parts

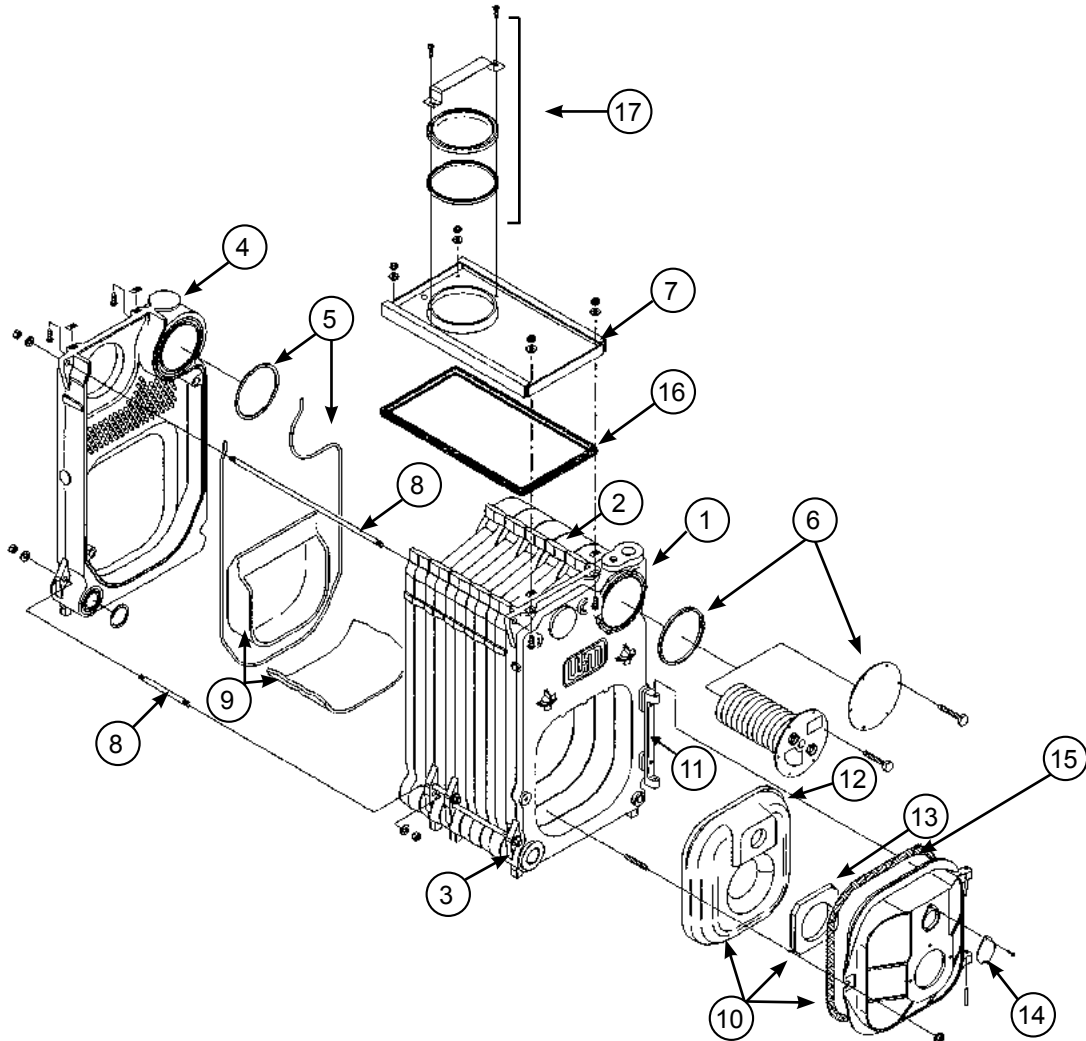


Fig. No.	Part No.	Description	Boiler Size							
			3L	3	4	5	6	7	8	9
1	316-700-240	Front Section, With Envelope, Fits Series 1,2 & 3 Cast # 7023	1							
	316-700-211	Front Section, Fits Series 1, 2 & 3 Cast # 4013		1	1	1	1	1	1	1
2	316-700-065	Intermediate Section, Narrow Cast # 7015	1		2	3	4	3	4	5
	316-700-075	Intermediate Section, Wide Cast # 7010		1						
3	316-700-070	Intermediate Section, With Draw Rod Lugs Cast # 7016						2	2	2
4	316-700-226	Section Back With 2½" Supply & 1½" Return, #7027	1	1	1	1	1	1	1	1
5	386-700-851	Intermediate Section Replacement Kit (Includes: Seals, Rope and Adhesive For Two Joints) Series 1, 2, 3	-	-	1	2	3	4	5	6
	386-700-852	Front or Rear Section Replacement Kit (Includes: Seals, Rope, Adhesive and Collector Hood Fasteners) Series 3 Only	1	1	1	1	1	1	1	1
		Rear Section Replacement Kit (Includes: Seals, Rope, Adhesive and Collector Hood Fasteners) Series 1 & 2 Only	1	1	1	1	1	1	1	1
	386-700-855	Front Section Replacement Kit (Includes: Seals, Rope, Adhesive and Collector Hood Fasteners) Series 1 & 2 Only	1	1	1	1	1	1	1	1
6	386-700-360	Heater Cover Plate Carton (Plate, Studs, Seal) - ¾" Tapping		1	1	1	1	1	1	1
N/S	386-700-658			1						
	386-700-659	Replacement Section Assembly Complete With Jacket			1					
	386-700-660					1				



## WTGO - Series 1 Through 3 Section Assembly Parts

Fig. No.	Part No.	Description	Boiler Size								
			3L	3	4	5	6	7	8	9	
N/S	386-700-661	Replacement Section Assembly With Jacket					1				
	386-700-662							1			
	386-700-663								1		
	386-700-664										1
7	386-700-336	Collector Hood Kit (WTGO-3L)	1								
	386-700-337	Collector Hood Kit		1	1						
	386-700-338					1					
	386-700-339						1				
	450-020-188							1			
	450-020-189									1	
	450-020-190										1
8	560-234-464		Tie Rod ½" x 5½"						2	2	2
	560-234-491	Tie Rod ½" x 12¼"	4					2			
	560-234-492	Tie Rod ½" x 12"						2	2		
	560-234-470	Tie Rod ½" x 14"		4	4				2	2	
	560-234-495	Tie Rod ½" x 15"								2	
	560-234-472	Tie Rod ½" x 17"				4					
	560-234-534	Tie Rod ½" x 20"					4				
	560-234-538	Tie Rod ½" x 23¼"						2			
	560-234-542	Tie rod ½" x 26⅜"							2		
	560-234-497	Tie Rod ½" x 29½"								2	
N/S	561-928-221	Nut, Regular HEX, ½" (2 Per Rod) - Purchase Locally	8	8	8	8	8	16	16	16	
	562-248-668	Washer, Medium Split Plain Lock, ½" (1 Required Per Rod)	4	4	4	4	4	8	8	8	
9	386-700-355	Combustion Chamber Kit (Includes: Rear & Front Refractory, Blanket & Water Glass)		1	1	1	1	1	1	1	
10	386-700-358	Burner Mounting Door Assembly (Includes: Door, Observation Port, Rope, Insulation & Pins)		1	1	1	1	1	1	1	
11	381-355-797	Door Hinge Kit, Cast # 7054, (Includes 1 Hinge, and Roll Pin)	2	2	2	2	2	2	2	2	
12	386-700-359	Door Refractory		1	1	1	1	1	1	1	
13	591-222-115	Door Refractory Blanket		1	1	1	1	1	1	1	
14	460-039-867	Observation Port Shutter		1	1	1	1	1	1	1	
15	590-735-104	Door Seal Rope, 4.6' ⅜" Rope		1	1	1	1	1	1	1	
16	590-735-109	Glass Rope, ⅜" For Collector Hood, 7'		1	1	1	1	1	1	1	
17	386-700-344	Flue Cap Kit (Includes: Cap, Handle, Rope & Screws)									
	426-700-268	Flue Cap Bracket									
N/S	591-706-214	Flue Brush		1	1	1	1	1	1	1	
	592-800-007	Round 6" Tankless Heater Gasket									
	560-340-577	Tankless Heater Nut and Stud									
	592-800-007	Round 6" Section Seal Gasket									
	592-800-010	Round 3" Section Seal Gasket									
	386-700-850	Collector Hood Hardware Kit (Includes: (4) ¼" X 1¼" Bolts, (4) Nuts, (4) Washers and (4) Tinnerman Nuts)									

## WGO, WTGO - Series 1 Through 3 Water Trim / Control Parts



Fig. No.	Part No.	Description	Boiler	
			WGO	WTGO
1	380-000-000	Combination Pressure- Temperature Gauge Kit, 60° - 360°F 0-75 PSI, 3 1/8" Dia, 1/4" NPT, Short Shank, With 1/4" x 1/2" Reducing Bushing	X	X
2	383-500-095	ASME Pressure Relief Valve, Set To Relieve At 30 PSIG, 3/4" Male Inlet, 3/4" Female Outlet	X	X
3,4	381-300-000	Electronic Aquastat, High Limit or Combination High/Low Limit, With LWCO, High Limit 100° - 220°, Low Limit 110° - 200°, Adj. differential 10° to 30°, Circulator Amps – 5.8 FA, Anticipator, .2 Amps	X	X
8	592-300-026	3/4" N.P.T. Well, 4 1/4" Long For Hydrolevel 3250	X	
	592-300-027	3/4" N.P.T. Well, 6 1/4" Long For Hydrolevel 3250		X
N/S	383-500-126	Outdoor Sensor Kit For Hydrostat 3250	X	X
Fig. No.	Part No.	Description	Boiler	
			WGO	WTGO

## WGO, WTGO - Series 1 Through 3 Water Trim / Control Parts

5	511-210-423	Drain Cock, 3/4", 1 1/2" Shank	X	X
	511-246-392	Drain Cock, 3/4"	X	X
		Drain Cock, 3/4"	X	X
6	511-405-113	Circulator, 1/25HP, 120/60/1 Motor, 175 RPM, 0.75 Amps	X	X
7	381-354-526	Circulator Universal Hardware Kit 1 1/4" (Includes: (1) Flange, (1) Gasket, (2) Screws and (2) Nuts) For Sizes 2, 3 & 4 Only	X	X
	381-354-531	Circulator Universal Hardware Kit 1 1/2" (Includes: (1) Flange, (1) Gasket, (2) Screws and (2) Nuts) For Sizes 5 & 6 Only	X	X
10A	591-391-849	Junction Box – Wiring Harness Assembly Series 2 & 3 WTGO-3L Only With Circulator Only	X	X
N/S	591-391-836	Junction Box – Wiring Harness Assembly Series 2 & 3 All WGO and WTGO Boilers Except WTGO-3L With Circulator. See 10A Above.	X	X
10B	591-391-837	Junction Box – Wiring harness assembly (Series 2 & 3 A & B Only) Trim Carton Only	X	X
9	591-391-854	Junction Box Cover Assembly With Service Switch	X	X
11	591-391-850	Burner Harness Assembly	X	X
N/S	426-700-268	Flue Pipe Brackets (Set of 2)	X	X
	590-921-599	Tankless Heater – Water Boiler (Includes: Heater, Gasket, Nuts and Studs) For Boiler Size WTGO-3L		X
	590-921-612	Tankless Heater – Water Boiler (Includes: Heater, Gasket, Nuts And Studs) For Boiler Sizes WTGO-3,4,5 & 6		X
	590-921-610	Tankless Heater – Water Boiler (Includes: Heater, Gasket, Nuts And Studs) For Boiler Sizes WTGO-7,8 & 9		X
	560-340-577	3/8" - 16 x 1 1/8" Stud and Nut, 6 required		
	592-800-007	6" Round Tankless Heater Gasket		
	510-512-267	Barometric Damper 6"	X	X
<b>Damper Kits</b>				
N/S	381-800-501	Vent Damper Kit - (Includes Damper and Actuator) WGO-2RD		
	381-800-502	Vent Damper Kit - (Includes Damper and Actuator) WGO/WTGO-3RD		
	381-800-503	Vent Damper Kit - (Includes Damper and Actuator) WGO/WTGO-4RD		
	381-800-504	Vent Damper Kit - (Includes Damper and Actuator) WGO/WTGO-5RD		
	381-800-505	Vent Damper Kit - (Includes Damper and Actuator) WGO/WTGO-6RD		
	381-800-506	Vent Damper Kit - (Includes Damper and Actuator) WGO/WTGO-7RD		

## SGO - Series 1 Through 3 Section Assembly Parts

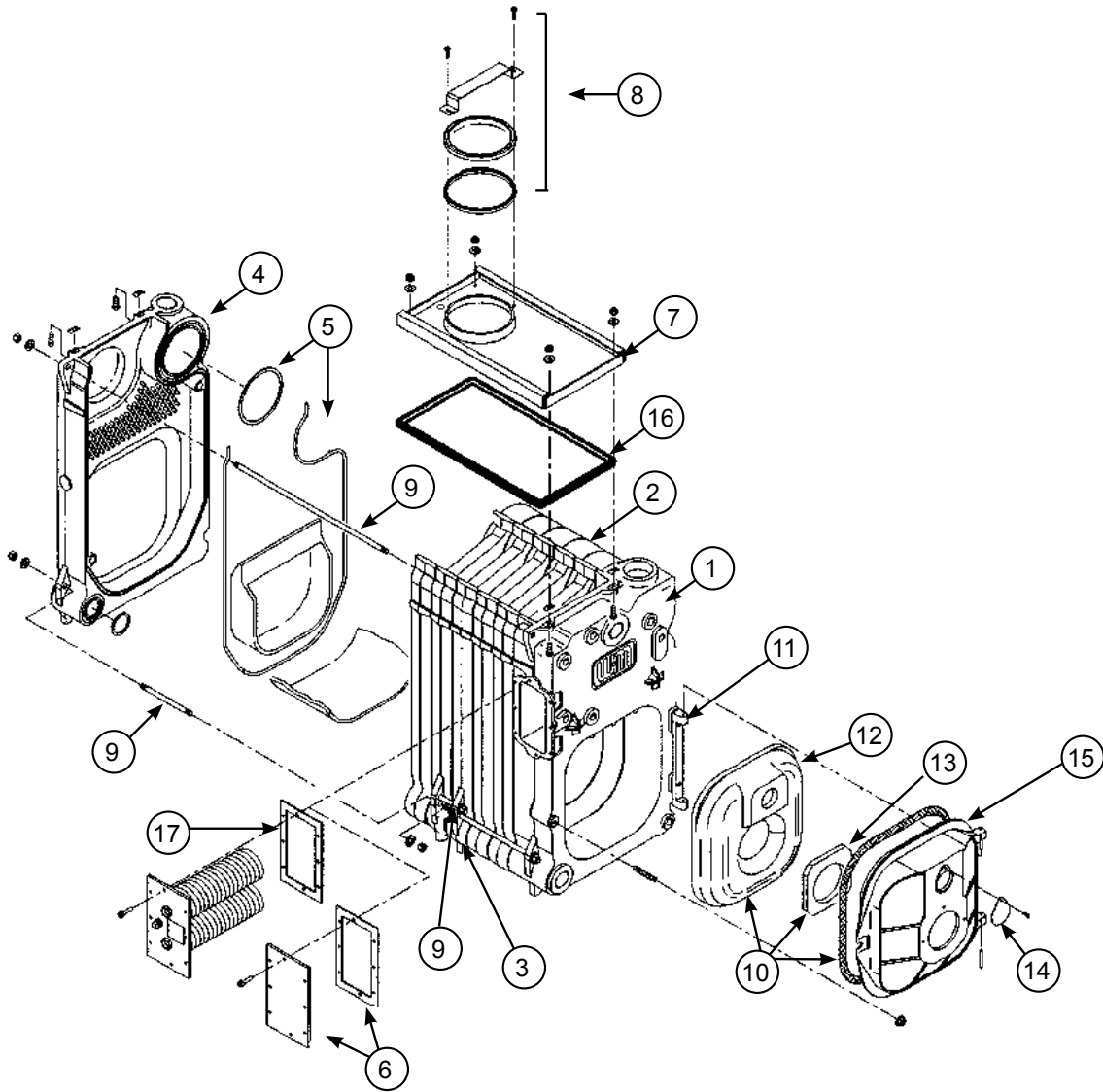
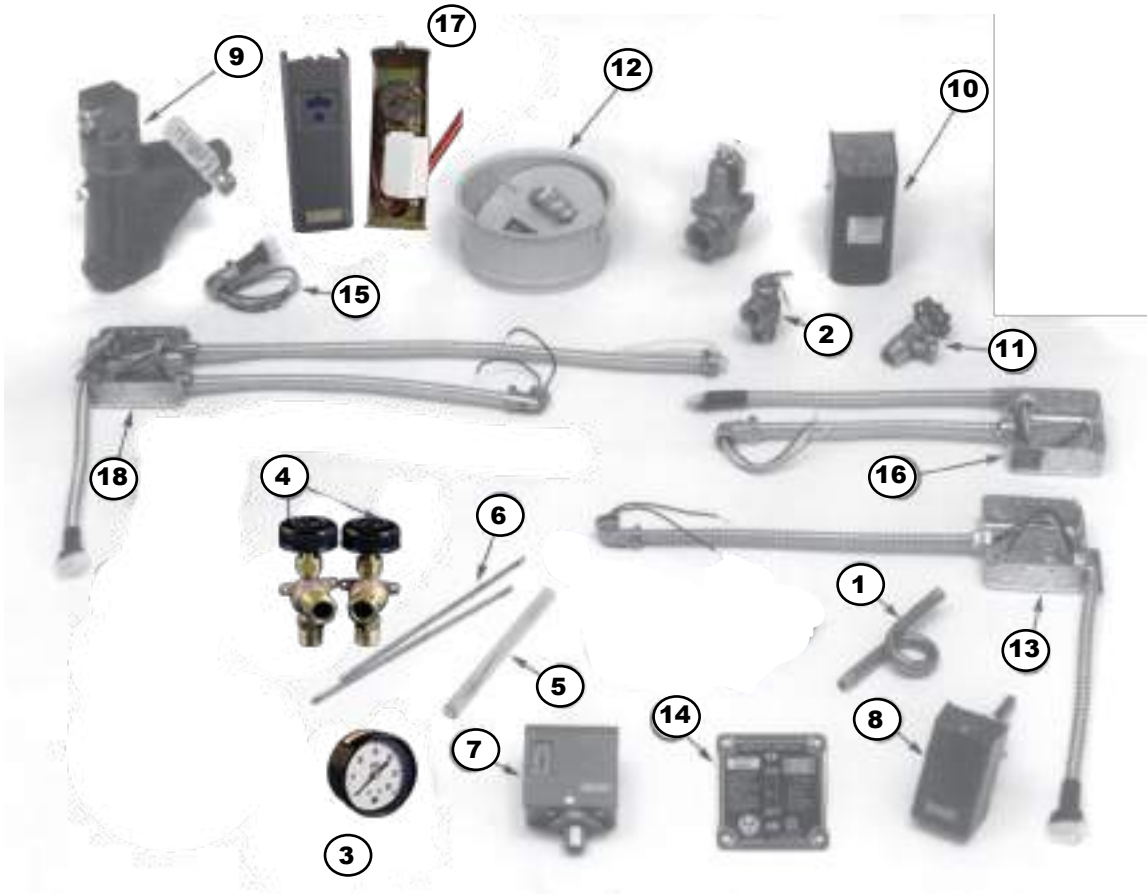


Fig. No.	Part No.	Description	Boiler Size						
			3	4	5	6	7	8	9
1	316-700-245	Front Section, Wide, 2½" Supply, #7011	1	1	1	1	1	1	1
2	316-700-065	Intermediate Section, Narrow, #7015	1	2	3	4	3	4	5
3	316-700-070	Intermediate Section, With Draw Rod Lugs, #7016					2	2	2
4	316-700-224	Section Back With 2½" Supply & 2" Return, #7027 - No Top Tapping	1	1	1				
	316-700-225	Section Back With 2½" Supply & 2" Return, #7027 - With Top Tapping				1	1	1	1
5	386-700-851	Intermediate Section Replacement Kit (Includes: Seals, Rope and Adhesive For Two Joints) Series 1, 2, 3		1	2	3	4	5	6
	386-700-852	Front or Rear Section Replacement Kit (Includes: Seals, Rope, Adhesive and Collector Hood Fasteners) Series 3 Only	1	1	1	1	1	1	1
		Rear Section Replacement Kit (Includes: Seals, Rope, Adhesive and Collector Hood Fasteners) Series 1 & 2 Only	1	1	1	1	1	1	1
	386-700-855	Front Section Replacement Kit (Includes: Seals, Rope, Adhesive and Collector Hood Fasteners) Series 1 & 2 Only	1	1	1	1	1	1	1
6	389-900-103	Heater Cover Plate (Rectangular) (Includes 8 Studs, Nuts and Gasket)	1	1	1	1	1	1	1

## SGO - Series 1 Through 3 - Section Assembly Parts

Fig. No.	Part No.	Description	Boiler Size						
			3	4	5	6	7	8	9
N/S	386-700-665	Replacement Section Assembly Complete With Jacket and Tankless Coverplate	1						
	386-700-666		1						
	386-700-667			1					
	386-700-668				1				
	386-700-669					1			
	386-700-670		Replacement Section Assembly With Jacket					1	
	386-700-671								1
7	386-700-340	Collector Hood Kit Series 1-3	1						
	386-700-341			1					
	386-700-342				1				
	386-700-343					1			
	450-020-191						1		
	450-020-192							1	
	450-020-193								1
8	386-700-344	Flue Cap Kit Series 1 & 2 (Includes: Cap, Handle, Rope & Screws)	1	1	1	1	1	1	1
9	560-234-464	Tie Rod ½" x 5½"					2	2	2
	560-234-491	Tie Rod ½" x 10¾"	4						
	560-234-493	Tie Rod ½" x 12¼"					2		
	560-234-494	Tie Rod ½" x 13⅜"					2	2	
	560-234-470	Tie Rod ½" x 14"						2	2
	560-234-495	Tie Rod ½" x 15"							2
	560-234-532	Tie Rod ½" x 15⅝"		4					
	560-234-496	Tie Rod ½" x 16½"							2
	560-234-475	Tie Rod ½" x 18½"			4				
	560-234-536	Tie Rod ½" x 21½"				4			
	560-234-540	Tie Rod ½" x 24¾"					2		
	560-234-544	Tie Rod ½" x 28"						2	
560-234-546	Tie Rod ½" x 31"							2	
N/S	561-928-221	Nut, Regular HEX, ½" (2 Per Rod) - Purchase Locally	8	8	8	8	8	8	16
	562-248-668	Washer, Medium Split Plain Lock, ½" (1 Required Per Rod)	4	4	4	4	4	4	8
	386-700-355	Combustion Chamber Kit (Includes: Rear & Front Refractory, Blanket )	1	1	1	1	1	1	1
10	386-700-358	Burner Mounting Door Assembly (Includes: Door, Port, Rope, & Pins)	1	1	1	1	1	1	1
11	381-355-797	Door Hinge Kit, Cast #7054, (Includes 1 Hinge, and Roll Pin)	2	2	2	2	2	2	2
12	386-700-359	Door Refractory	1	1	1	1	1	1	1
13	591-222-115	Door Refractory Blanket	1	1	1	1	1	1	1
14	460-039-867	Observation Port Shutter	1	1	1	1	1	1	1
15	590-735-104	Door Seal ⅜" Rope, 55G	1	1	1	1	1	1	1
16	590-735-109	Glass rope, ⅜" For Collector Hood, 7'	1	1	1	1	1	1	1
N/S	591-706-214	Flue Brush	1	1	1	1	1	1	1
17	590-317-550	Tankless Heater Gasket							
N/S	560-340-577	Tankless Heater Nut and Stud							
	386-700-850	Collector Hood Hardware Kit (Includes: (4) ¼" X 1¼" Bolts, (4) Nuts, (4) Washers And (4) Tinnerman Nuts)	1	1	1	1	1	1	1

SGO - Series 1 Through 3  
Steam Trim / Control Parts

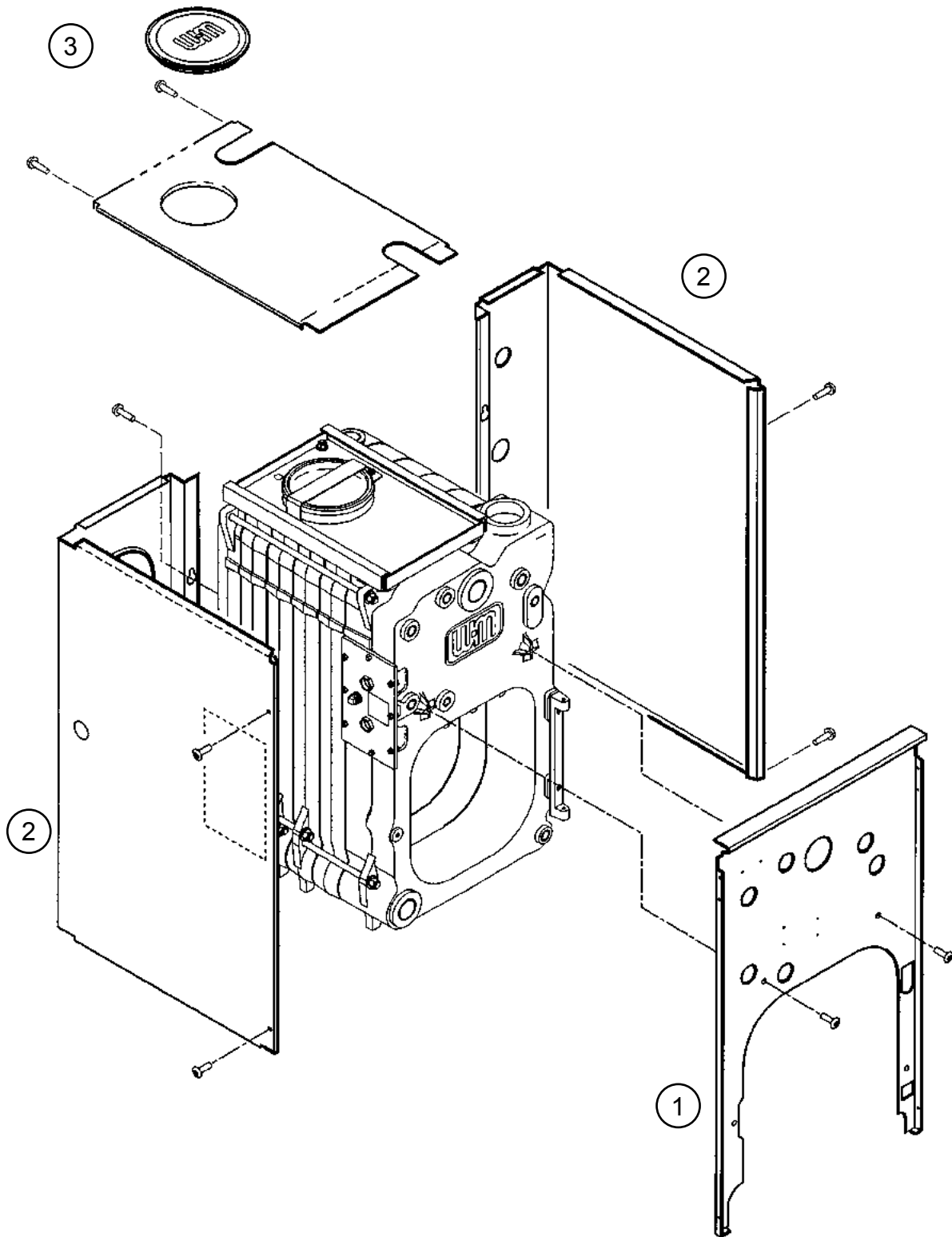


OIL

## SGO - Series 1 Through 3 Steam Trim / Control Parts

Fig. No.	Part No.	Description
1	560-640-698	Syphon, 180° Bend, 1/4" Brass Pipe
2	383-600-106	Steam Relief Valve, Set To Relieve at 15 PSIG, 3/4" N.P.T. Inlet 3/4" N.P.T. Side Outlet, 375 Lbs./Hr Steam Capacity
		Steam Relief Valve, Set To Relieve At 15 PSIG, 3/4" N.P.T. Male Inlet 3/4" N.P.T. Female Side Outlet, 375 Lbs./Hr Steam Capacity
3	510-218-045	Steam Pressure Gauge, 0-30 PSIG
4	510-218-135	Gauge Cock Set, B15 Standard Stem
5	383-600-001	Gauge Glass Kit (Includes: Glass, Gaskets and Water Washers)
6	563-334-597	Water Gauge Glass Guard, 8 5/8" Long
7	510-312-135	High Pressure Limit Control, Operating Range 0.5-9 PSI, Additive Differential 1-5 PSI
		High Pressure Limit Control, Operating Range 0.5-15 PSI, Additive Differential 2-8 PSI
8	510-312-209	High Limit Temperature Control, SPST, Automatic Recycle With 3/4" Well (Used In Tankless Heater Kit)
		High Limit Temperature Control, SPST, Automatic Recycle With 3/4" Well (Used In Tankless Heater Kit)
9	511-114-495	Low Water Cutoff, Float Type
10	511-100-008	Kit Service Probe type Low Water Cut-Off Residential Steam Foam Compensating, Comes With Probe
11	511-210-423	Drain Cock, 3/4", 1 1/2" Shank
	511-246.392	Drain Cock, 3/4"
		Drain Cock, 3/4"
12	510-512-267	Balanced Draft Damper (Barometric) 7"
13	591-391-848	Junction Box Wiring Harness Assembly (A & B Boilers Only)
14	591-391-854	Junction Box Cover Assembly With Service Switch
15	591-391-850	Burner Harness Assembly 4 Pin Plug
16	591-391-837	SGO Wire Harness With Junction Box
17	510-311-024	Limit Control Without Well, SPDT
18	591-391-842	Junction Box – Wiring Harness Assembly (SGO Float Low Water Cut-off Only – Packaged Boiler Only)
N/S	426-700-268	Flue Pipe Brackets (Set of 2)
	590-921-903	Tankless Heater- Steam Boiler (Includes: Heater, Gasket, Nuts And Studs) For SGO-3 Through SGO-9
	560-340-577	Stud 3/8 -16" NC-2A x 1.12 Long With 3/8-16" NC Brass Nut
	590-317-550	Gasket Tankless Heater Cover Plate 5 1/4" x 10"
	510-312-209	Tankless Limit, 140°F To 240°F With 10° Differential and 3/4" Well
	591-391-965	Junction Box With Harness Assembly For Probe LWCO

WGO,WTGO,SGO - Series 3  
Jacket Assembly



OIL



## WGO WTGO SGO - Series 3 Jacket Assembly Parts

	1	2		3
Boiler Model	Jacket panel with insulation Front	Left side and rear	Right side and rear	Top panel with cap
<b>WGO</b>				
WGO-2	381-355-494	381-355-495	426-700-250	381-355-497
WGO-3		381-355-498	426-700-252	381-355-500
WGO-4		381-355-501	426-700-252	381-355-771
WGO-5		381-355-503	426-700-254	381-355-505
WGO-6		381-355-506	426-700-256	381-355-508
<b>WTGO</b>				
WTGO-3L	381-355-509	381-355-510	426-700-250	381-355-772
WTGO-3	381-355-512	381-355-513	426-700-252	381-355-773
WTGO-4		381-355-515	426-700-252	381-355-774
WTGO-5		381-355-517	426-700-254	381-355-775
WTGO-6		381-355-519	426-700-256	381-355-776
<b>SGO</b>				
SGO-3	381-355-521	381-355-522	426-700-252	381-355-524
SGO-4		381-355-525	426-700-254	381-355-527
SGO-5		381-355-528	426-700-256	381-355-530
SGO-6		381-355-531	426-700-258	381-355-533
<b>Complete Jacket Cartons</b>				
	WGO	WTGO	SGO	
7 Section	416-700-170	416-700-176	416-700-182	
8 Section	416-700-172	416-700-178	416-700-184	
9 Section	416-700-174	416-700-180	416-700-186	
<b>Common Jacket Parts For All Boilers</b>				
N/S	Plastic Flue Cap Cover W/ Insulation	560-907-687		
	Jacket Hardware Kit	386-700-853		
	Touch Up Paint - Gold - Low E 4.5oz Can	592-002-029		

**Note: All jacket panels come with appropriate labels**  
**To order a complete jacket for size 2 thru 6, order items 1, 2, 3. and Jacket hardware kit.**  
**For boiler sizes 7, 8, or 9 can only order complete jacket carton as listed above.**

## 80 Boiler Section / Assembly Parts

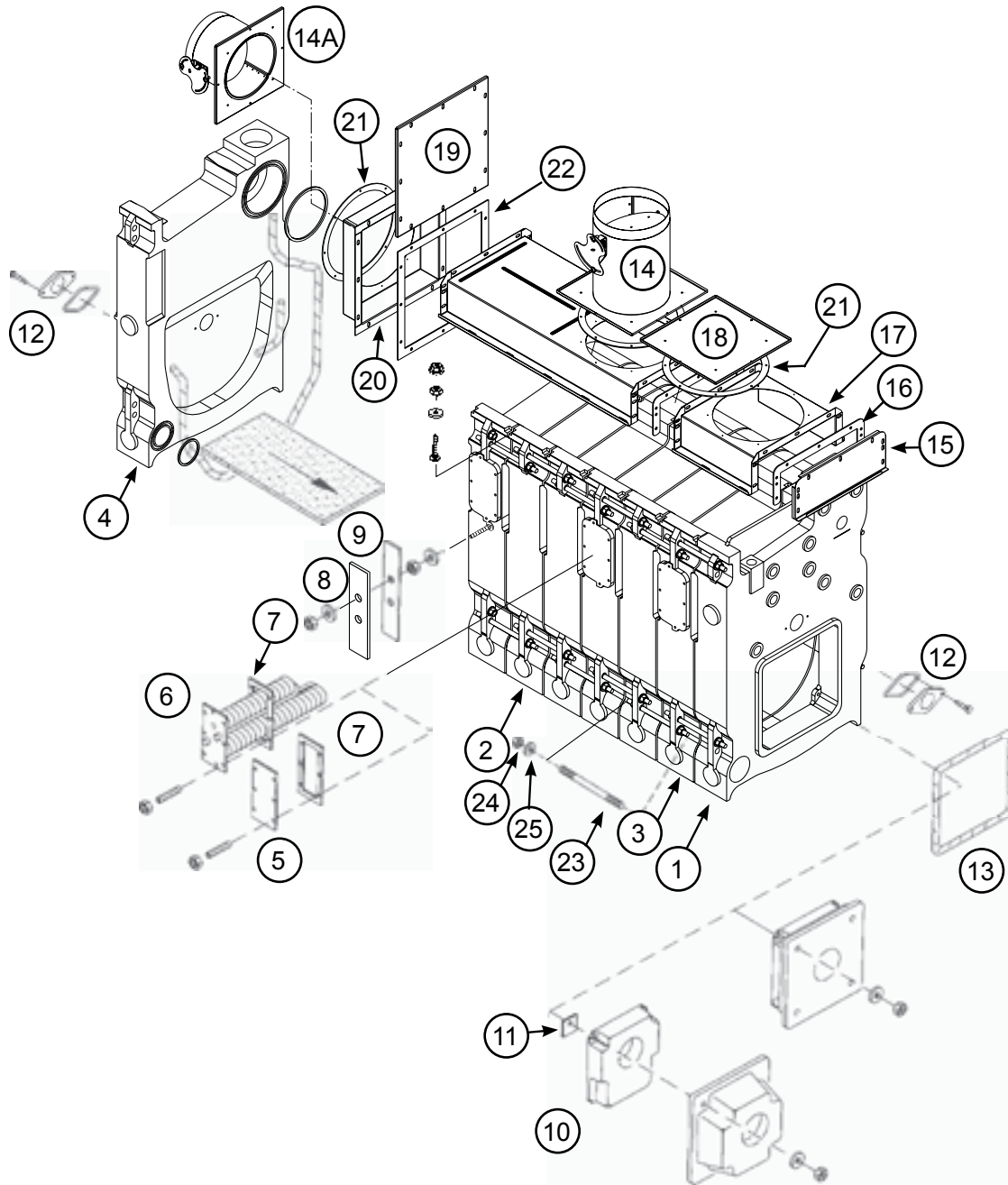


Fig. No.	Part No.	Description
1	315-700-100	Front Section 8013
2	315-700-120	Intermediate Section, Regular 8015
	315-700-130	Intermediate Section With Special Side Tappings 8017 - For Waterway Inspection
	315-700-150	Intermediate Section, Supply (Steam Boilers) 8014
3	315-700-140	Intermediate Section, Tankless 8016
4	315-700-110	Back Section 8018
N/S	385-800-205	Section Assembly Kit - Includes ½" Rope, Adhesive, Elastomer Seals and Silicone Sealant - 1 Kit Per Joint
5	385-700-200	Heater Cover Plate Carton (Includes: Cover Plate, Gasket, Studs, Nuts)
6	590-921-917	Tankless Heater Carton (Includes: Tankless Heater, Gasket, Studs, Nuts)
7	590-317-550	Heater Gasket

## 80 Boiler Section / Assembly Parts

8	450-030-928	Cleanout Plate										
9	590-317-303	Cleanout Plate Gasket										
10	591-000-070	Front Refractory, For Burner Mounting Plate - 4½" Burner Opening										
	591-000-072	Front Refractory, For Burner Mounting Plate - 6⅞" Burner Opening										
11	562-650-105	Refractory Retainer Clip										
12	385-600-099	Observation Port Assembly (Includes: Observation Port Assembly, Sealing Rope, Screws)										
13	590-735-254	Sealing Rope ½" x 10' Packaged										
N/S	385-700-220	Combustion Chamber Kit (Includes: Back Refractory Blanket, Bottom Refractory Blanket, Adhesive, Sealing Rope, Sealing Rope Adhesive)										
14	425-800-090	Flue Damper Assembly, Top Flue Boilers – 8" For 380-680										
	425-800-091	Flue Damper Assembly, Top Flue Boilers – 10" For 780-1180										
	425-800-092	Flue Damper Assembly, Top Flue Boilers – 12" For 1280										
14A	425-800-096	Flue Damper Assembly, Rear Flue Boilers – 8" For 380-680										
	425-800-097	Flue Damper Assembly, Rear Flue Boilers – 10" For 780-1180										
	425-800-098	Flue Damper Assembly, Rear Flue Boilers – 12" For 1280										
N/S	385-800-215	Flue Collector Hood Hardware Kit (Includes: Flue Collector Hardware Plus Collector Hood Gasket Kit, Below)										
15	463-000-003	Flue Collector Hood End Cap										
N/S	385-800-218	Collector Hood Gasket Kit (Includes: (2) Flue Collector Hood Gasket, (3) Circular Collector Hood Gaskets, (1) Rectangle Collector Hood Gasket, Flat-Stitched Sealing Rope, Double-Faced Tape)										
16	Included In Gasket Kit	Flue Collector Hood Gasket										
With Below Collector Hoods A Collector Hood Gasket Kit 385-800-218 Is Needed												
			Quantity Required To Make a Boiler									
			3	4	5	6	7	8	9	10	11	12
17	450-020-300	80 Collector Hood - A	1				1	1				
	450-020-301	80 Collector Hood - B		1								
	450-020-302	80 Collector Hood - C			1		1		2	1	1	
	450-020-303	80 Collector Hood - D				1		1		1		1
	450-020-304	80 Collector Hood - E									1	1
18	463-000-001	Flue Cap Top										
19	463-000-002	Flue Cap Rear										
20	Included In Flue Damper Assembly	Rear Flue Transition										
21	Included In Gasket Kit	Circular Collector Hood Gasket										
22	Included In Gasket Kit	Rectangular Collector Hood Gasket										
N/S	592-800-008	7½" Top Elastomer Seal										
	592-800-009	3½" Bottom Elastomer Seal										
23	560-134-495	⅝" x 11" Draw Rod (4 Per Joint)										
24	561-928-224	⅝" HEX Nut (2 Per Draw Rod)										
25	562-248-710	⅝" Washer (1 Per Draw Rod)										
N/S	591-706-214	Flue Brush - 42 Inches Long										
	592-002-030	Touch Up Paint - Blue / Gray - Low E 4.5oz Can										

## 80 Boiler Water Trim Parts

Part No.	Description	Boiler Size
383-600-091	ASME Pressure Relief Valve, Set To Relieve At 30 PSIG, 3/4" N.P.T. Female Inlet, Brass, 3/4" Female Side Outlet, Rated At 510,000 BTUH	3, 4
	ASME Pressure Relief Valve, Set To Relieve At 30 PSIG, 3/4" N.P.T. Female Inlet, Brass, 3/4" Female Side Outlet, Rated At 510,000 BTUH	3, 4
383-600-063	ASME Pressure Relief Valve, Set To Relieve At 30 PSIG, 3/4" N.P.T. Female Inlet, Brass, 3/4" Female Side Outlet, Rated At 925,000 BTUH	5, 6, 7, 8
383-600-092	ASME Pressure Relief Valve, Set To Relieve At 30 PSIG, 1" N.P.T. Female Inlet, Brass, 1 1/4" Female Side Outlet, Rated At 1,300,000 BTUH	9, 10, 11
383-600-093	ASME Pressure Relief Valve, Set To Relieve At 30 PSIG, 1 1/4" N.P.T. Female Inlet, Brass, 1 1/2" Female Side Outlet, Rated At 2,105,000 BTUH	12
510-218-099	Combination Pressure Temperature Gauge, 2 1/2" Dia. Dial, 0-70 PSIG, 60-320°F Short Shank, Back Connection, 1/4" N.P.T.	All
		All
510-312-065	Combination High Limit/Low Limit Control, High Limit: 140-240°F Low Limit: 140-240°F With 5-35°F Adjustable Differential: Low Limit Must Be Set 20°F Below High Limit, Less Well	All
		All
590-921-917	Tankless Heater (Includes: Heater, Gasket, Nuts and Studs)	
560-340-577	Stud 3/8"-16" NC-2A x 1.12 Long With 3/8"-16" NC Brass Nut	
590-317-550	Gasket Tankless Heater Cover Plate 5 1/4" x 10"	
592-300-006	Well, 3/4" N.P.T	All

## 80 Boiler Steam Trim Parts



Fig. No.	Part No.	Description	Boiler Size
N/S	383-600-105	Steam Relief Valve, Set To Relieve At 15 PSIG, 3/4" N.P.T. Inlet, 3/4" Side Outlet, 450 Lbs./Hr. Steam Capacity	3, 4
		Steam Relief Valve, Set To Relieve At 15 PSIG, 3/4" N.P.T. Inlet, 3/4" Side Outlet, 450 Lbs/Hr Steam Capacity	
	383-600-107	Steam Relief Valve, Set To Relieve At 15 PSIG, 1" N.P.T. Inlet, 1" Side Outlet, 643 Lbs/Hr Steam Capacity	5, 6
	383-600-108	Steam Relief Valve, Set To Relieve At 15 PSIG, 1 1/4" N.P.T. Inlet, 1 1/2" Side Outlet, 1200 Lbs/Hr Steam Capacity	7, 8, 9, 10
	383-600-109	Steam Relief Valve, Set To Relieve At 15 PSIG, 1 1/2" N.P.T. Inlet, 2" Side Outlet, 1900 Lbs/Hr Steam Capacity	11, 12
	510-312-135	Steam Pressure Control, Cut In 0-9 PSI, Additive Differential 0 To 5 PSI, 1/4" N.P.T. Connection	All
1	510-218-100	Combination Pressure Vacuum Gauge, 0-30 PSIG, 0-30"Hg., 4 1/2" Dial, 1/4" N.P.T. Bottom Connection	All
2	510-218-145	Water Gauge Class Cock Set, 1/2" N.P.T. Male inlet	All
N/S	383-600-002	Gauge Glass, 10 5/8" Long x 5/8" Diameter With Gaskets	All
	563-334-595	Gauge Glass Guards, Includes 2-12 1/2" Long x 3/16" Diameter Guards	All
	590-921-917	Tankless Heater (Includes: Heater, Gasket, Nuts And Studs)	
	560-340-577	Stud 3/8-16" NC-2A x 1.12 Long With 3/8-16" NC Brass Nut	
	590-317-550	Gasket Tankless Heater Cover Plate 5 1/4" x 10"	

## 88 - Series 1 & 2 Section Assembly Parts

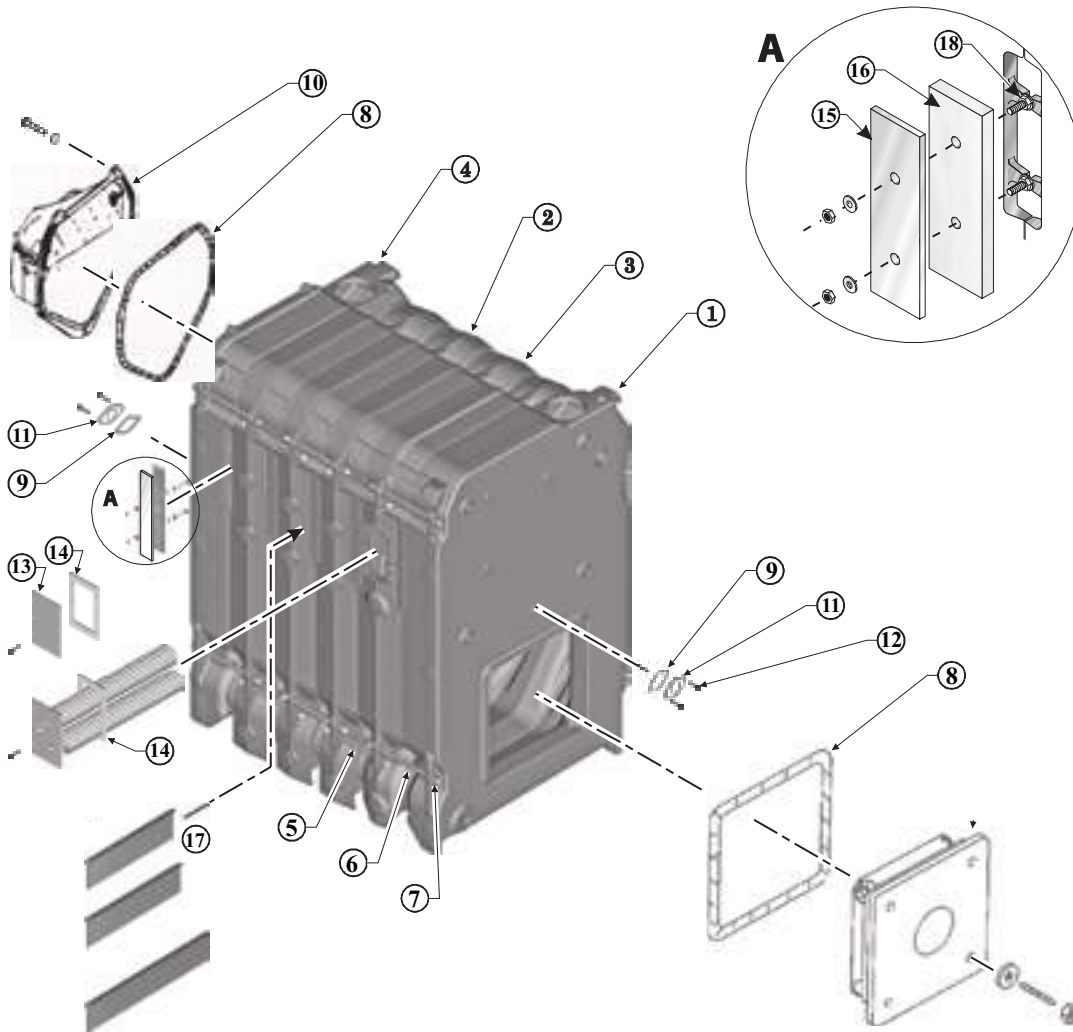


Fig. No.	Part. No.	Description	Notes	Series
1	316-301-210	Front Section – 8823 – 80 PSI	■	1 & 2
2	316-301-212	Regular Intermediate Section – 8825 – 80 PSI	■	1 & 2
3	316-301-214	Tankless Intermediate Section – 8826 – PSI	■	1 & 2
4	316-301-211	Back Section – 8828 – 80 PSI	■	1 & 2
N/S	316-301-213	Supply Intermediate Section With 5" N.P.T. Supply Outlet Tapping – 8824 – 80 PSI	■	1 & 2
	386-300-213	86/88 Section Replacement Kit (Includes: Rope, Seals, Sealant, Rope Adhesive)		1 & 2
5	560-134-495	5/8" x 11" Draw Rod - (4 Per Joint) Intermediate To Intermediate		1
6	560-134-505	5/8" x 13" Draw Rod - (4 Per Joint) (Front or Back To Intermediate-Series 1) (All Series 2)		1 & 2
7	561-928-224	5/8" – 11 Nut HEX (2 Per Draw Rod)		1 & 2
	562-248-710	5/8" Washer (1 Per Draw Rod)		1 & 2
8	590-735-140	Rope Fiberglass 1/2" Diameter x 13' Per Joint, 7' For Burner Plate, and 6' For Collar		1 & 2
N/S	590-735-145	1/8" Dia. Wick (1 For Damper Locking Plate) Type FS 125		1 & 2
9	590-735-150	3/8" Dia. Sealing Rope (1' Per Observation Port) Type MD-375		1 & 2
N/S	591-638-851	Silicone Sealant RTV700, 3 oz.		1 & 2

## 88 - Series 1 & 2 Section Assembly Parts

N/S	591-638-850	Silicone 4500 For Sealing Rope, 10.3 oz.		1 & 2
	591-706-214	Flue Brush, 123 DMG	■	1 & 2
	592-800-005	Square Cut Seal, 9" (1 Per Joint)		1 & 2
	592-800-007	Square Cut Seal, 6" (1 Per Joint)		1 & 2
10	340-004-606	Flue Collar Assembly, 10" (Includes: Flue Collar, Damper, Damper Quadrant, Locking Plate, Swivel and Brackets) (488-688)		1 & 2
	340-004-607	Flue Collar Assembly, 12" (Includes: Flue Collar, Damper, Damper Quadrant, Locking Plate, Swivel and Brackets) (788-888)		1 & 2
	340-004-608	Flue Collar Assembly 14" (Includes: Flue Collar, Damper, Damper Quadrant, Locking Plate, Swivel and Brackets) (988-1388)		1 & 2
	340-004-609	Flue Collar Assembly, 16" (Includes: Flue Collar, Damper, Damper Quadrant, Locking Plate, Swivel and Brackets) (1488-1688)		1 & 2
	340-004-612	Flue Collar Assembly, 18" (Includes: Flue Collar, Damper, Damper Quadrant, Locking Plate, Swivel and Brackets) (1788-1888)		1 & 2
N/S	330-056-634	Quadrant For Flue Collar		1 & 2
	460-003-646	Damper Blade For Flue Collar		1 & 2
	563-530-784	Damper Locking Plate For Flue Collar		1 & 2
9 11 12	385-600-099	Observation Port Assembly (Includes: Frame, Sealing Rope, Plugs and Sight Glass)		1 & 2
N/S	590-317-580	Ceramic Fiber Gasket For Sight glass, 2 $\frac{1}{8}$ " x 1 $\frac{1}{4}$ " x $\frac{1}{8}$ "		1 & 2
	591-419-199	Sight Glass, 2" Round x $\frac{1}{8}$ "		1 & 2
13	450-030-934	Cover Plate For Heater Opening (Rectangular)		1 & 2
14	590-317-579	Gasket For Heater Cover Plate (Rectangular)		1 & 2
15	450-030-965	Cleanout Plate		2
16	590-317-305	Woven Fiberglass Gasket For Cleanout Plate		2
17	416-400-131	2-Flueway Kit (Includes: 2 Sets of Bars)	■	2
18	Available Locally	Cleanout Bolts and Nuts, (2 Per Cleanout) $\frac{1}{4}$ " X 20, 1 $\frac{3}{4}$ " Zinc Plated, Carriage Bolts, $\frac{1}{4}$ " Plain Washer, $\frac{1}{4}$ " X 20 HEX Nut		1 & 2
N/S	386-300-211	88 Combustion Chamber Kit	■	1 & 2
	560-340-577	$\frac{3}{8}$ " x 1 $\frac{1}{8}$ " Stud & Nut For Heater Cover Plate		1 & 2
	591-632-612	Waterglass (4 oz. Bottle)		1 & 2
	562-248-744	Grommet Jacket Observation Port		2
	592-002-030	Touch Up Paint - Blue / Gray - Low E 4.5oz Can		1
	592-002-033	Touch Up Paint - Black - Low E 4.5oz Can		2
	592-002-032	Touch Up Paint - Putty - Low E 4.5oz Can		2

■ Indicated current TPS R/C Product

## 88 - Series 1 & 2 Water Trim Parts

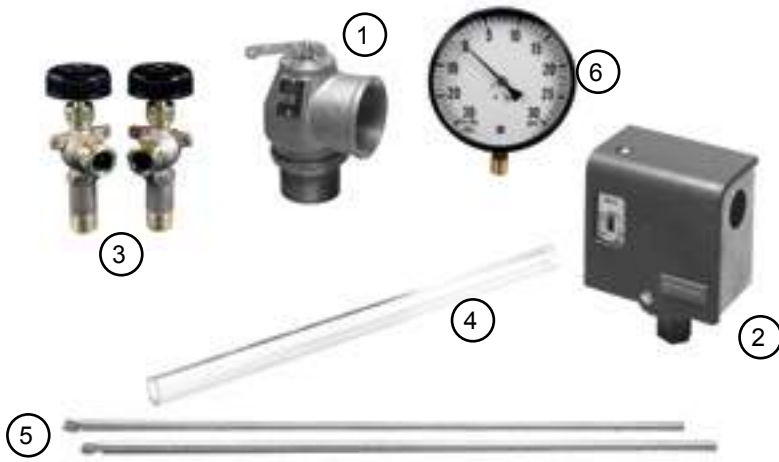


Fig. No.	Part No.	Description	Boiler Size	Series
1	383-600-092	ASME Pressure Relief Valve, Set To Relieve At 30 PSIG, 1" Inlet x 1¼" Brass, Side Outlet	4-5	1 & 2
	383-600-093	ASME Pressure Relief Valve, Set To Relieve At 30 PSIG, 1¼" Inlet x 1½" Brass Side Outlet	6 – 8	1 & 2
	383-600-094	ASME Pressure Relief Valve, Set To Relieve At 30 PSIG, 1½" Inlet x 2" Brass, Side Outlet	9 – 11	1 & 2
	383-600-095	ASME Pressure Relief Valve, Set To Relieve At 30 PSIG, 2" Inlet x 2½" Brass, Side Outlet	12 – 18	1 & 2
2	510-312-065	Combination High Limit/Low Limit Control Less Well High Limit: 130-240° F Low Limit: 115-240° F	All Sizes	1
			All Sizes	1
3	510-218-065	Combination Pressure/Temperature Gauge, 0-55 PSIG, 60-260° F, Back Connection, ½" N.P.T, 2½" Shank	All Sizes	1
			All Sizes	1
4	510-312-090	Combination Operating Limit and Manual Reset High Limit	All Sizes	2
5	510-218-080	Combination Pressure/Temperature Gauge, 0-200 PSIG, 60-260° F, Back Connection, ½" N.P.T 3¼" Shank	All Sizes	2
N/S	510-218-099	Combination Pressure/Temperature Gauge, 0-55 PSIG, 60-260° F, Back Connection, ½" N.P.T 2½" Shank	All Sizes	1
	590-921-909	Tankless Heater – (Includes: Heater, Gasket, Nuts and Studs)		1 & 2
	560-340-577	Stud ⅜-16" NC-2A x 1.12 Long With ⅜-16" NC Brass Nut		
	590-317-579	Gasket Tankless Heater Cover Plate 5¼" x 10"		
	592-300-006	Well, ¾" N.P.T		

GAS/OIL



## 88 - Series 1 & 2 Steam Trim Parts



Relief Valves					
88 Series 1	4-5	1¼" x 1½"	1,200	1	383-600-108
	6-7	1½" x 2"	1,900	1	383-600-109
	8-10	2" x 2"	2,500	1	383-600-110
	11	1" x 1"	643	1	383-600-107
		2" x 2"	2,500	1	383-600-110
	12-14	1¼" x 1½"	1,200	1	383-600-108
		2" x 2"	2,500	1	383-600-110
15-18	2" x 2"	5,000	2	383-600-110	
88 Series 2	4-5	1¼" x 1½"	1,200	1	383-600-108
	6-7	1½" x 2"	1,900	1	383-600-109
	8-9	2" x 2"	2,500	1	383-600-110
	10R, 10-11	2" x 2"	2,500	1	383-600-110
		1" x 1"	643	1	383-600-107
	12-14	1½" x 2"	1,900	1	383-600-109
		2" x 2"	2,500	1	383-600-110
	15-18	2" x 2"	5,000	2	383-600-110

Fig. No.	Part No.	Description	Boiler Size
1	383-600-107	Steam Safety Valve, 1" N.P.T. Inlet, Side Outlet, 643 Lbs/Hr. Capacity, Brass. See Chart Above.	11
	383-600-108	Steam Safety Valve, 1¼" N.P.T. Inlet, Side Outlet, 1,200 Lbs/Hr. Capacity, Brass. See Chart Above.	4-5, 12-14
	383-600-109	Steam Safety Valve, 1½" N.P.T. Inlet, Side Outlet, 1,900 Lbs/Hr. Capacity Brass. See Chart Above.	6 – 7
	383-600-110	Steam Safety Valve, 2" N.P.T. Inlet, Side Outlet, 2,500 Lbs/Hr. Capacity Brass (See Chart Above)	(2 required) 8-14 (2 required) 15-18
2	510-312-135	High Pressure Limit, Operating Range: 0-9 PSIG Differential: 0-5 PSIG	(2 required) All Sizes
	510-312-135	High Pressure Limit, Operating Range: 0-9 PSIG Differential: 0-5 PSIG	(2 required) All Sizes
3	510-218-145	Water Gauge Glass Cocks, Set of Two ½" N.P.T. Male Inlet	All Sizes
4	383-600-002	Water Gauge Glass Kit (Includes: Glass, Gaskets, and Brass Washers)	All Sizes
5	563-334-595	Gauge Glass Guard 12½" Long x 3/16" Dia	(2 required) All Sizes
6	510-218-100	Combination Pressure-Vacuum Gauge, 0-30 PSIG, 0-30" High 4½" Dial, Bottom Connection, ¼" N.P.T.	All Sizes
N/S	590-921-909	Tankless Heater (Includes: Heater, Gasket, Nuts and Studs)	
	560-340-577	Stud ⅜"-16" NC-2A x 1.12 Long With ⅜"-16" NC Brass Nut	
	590-317-579	Gasket Tankless Heater Cover Plate 5¼" x 10"	

## 94 - Series 1 Through 3 Section Assembly Parts

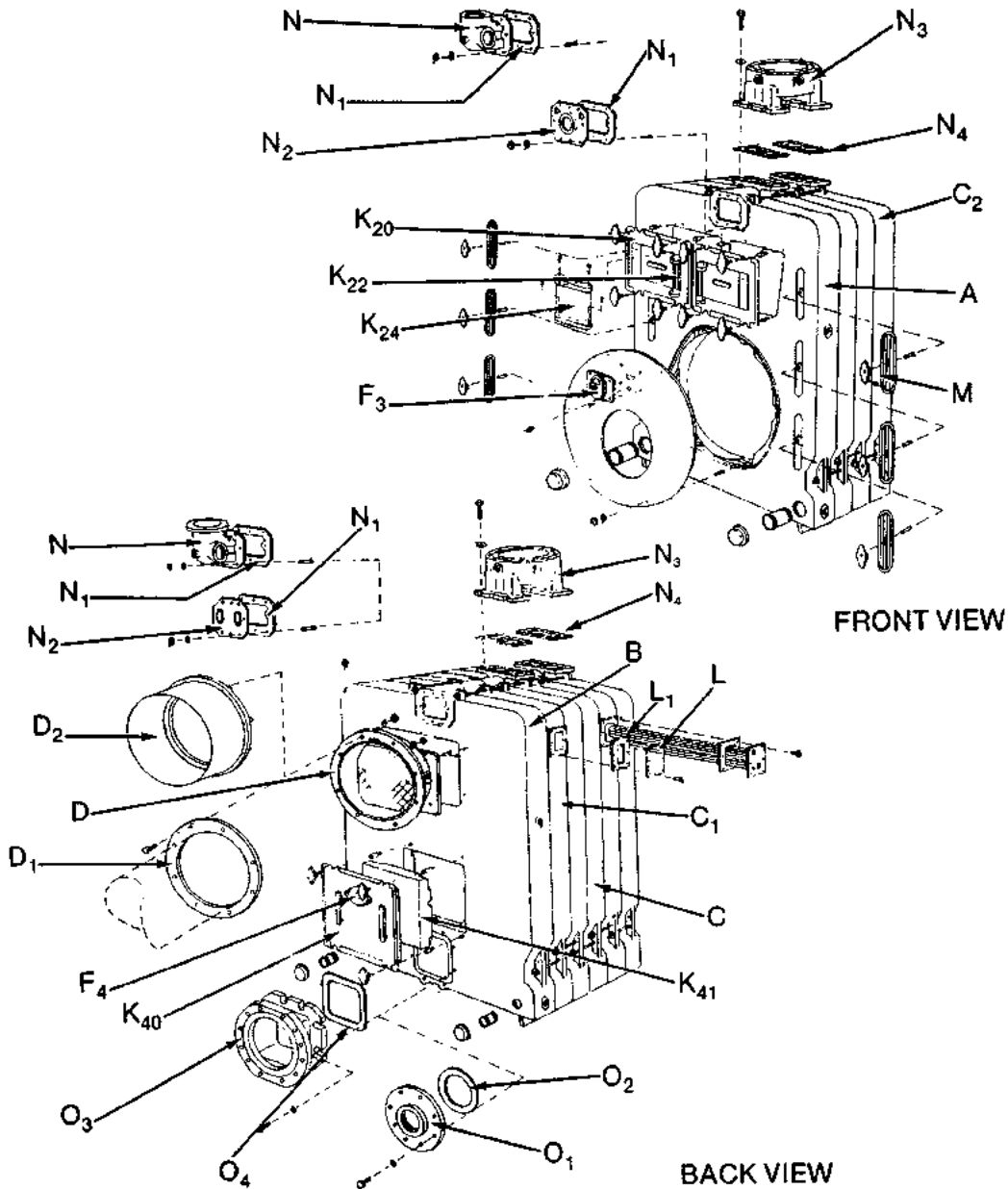


Fig. No.	Part No.	Description	Series No.
A	317-802-500	Front Section 9217	1, 2
	318-102-508	Front Section 9517, 80 PSI	3
B	318-102-480	Back Section, Water & Steam With 8" Return Flange 94118	1, 2
	318-102-518	Back Section, Water & Steam With 8" Return Flange 9518, 80 Psi	3
	318-102-482	Back Section Water Only For 10" Return Flange Adapter 94218	1, 2
	318-102-528	Back Section Water Only For 10" Return Flange Adapter, 95218, 80 Psi	3
C	318-102-538	Regular Intermediate Section, 9515, 80 PSI	3
N/S	318-102-440	Regular Intermediate Section 9415	1, 2
	318-102-450	Tankless Intermediate Section, 9416	1,2
C1	318-102-548	Tankless Intermediate Section, 9516, 80 PSI	3

## 94 - Series 1 Through 3 Section Assembly Parts

Fig. No.	Part No.	Description	Series No.
C2	318-102-448	Supply Intermediate Section 9419	1, 2
	318-102-578	Supply Intermediate Section 9519, 80 PSI	3
N/S	388-135-020	90-92-94 Split Nipple Replacement Kit (1 Per Joint)	1, 2
	388-135-010	Section Assembly Kit (1 Per Joint)	3
	592-800-007	6" Dia. Bottom Elastomer Seal (2 Per Joint)	3
	592-800-005	9" Dia. Bottom Elastomer Seal (1 Per Joint)	3
	560-134-490	5/8" X 10" Draw Rod Without Nut, Intermediate To Intermediate (4 Per Joint)	1, 2, 3
	560-134-495	5/8" X 11" Draw Rod Without Nut, Front or Back To Intermediate (4 Per Joint)	1, 2, 3
	561-928-224	5/8" Nut (2 Per Draw Rod)	1, 2, 3
	562-248-710	5/8" Washer (1 Per Draw Rod)	1, 2, 3
	591-706-185	Flue Brush	1, 2, 3
	591-706-222	Flue Brush Rod, 44"	1, 2, 3
	591-706-223	Flue Brush Rod, 62"	1, 2, 3
	591-706-240	Flue Brush Spacer, 48"	1, 2, 3
	591-706-226	Flue Brush Handle, Flexible Wire	1, 2, 3
	590-735-145	1/8" Dia. Sealing Wick, (3' For Front Observation Port, 1' For Relief Plate Stud, 1' For Damper Locking Plate) – TP500 Type FS 125	1, 2, 3
	590-735-150	3/8" Dia. Sealing Rope, (6' For Rear Access Shield, 2' For Rear Observation Port, 12' For Draft Hood Counter Flange, 3' Per Cleanout Plate)- TP1000 MD375	1, 2, 3
	590-735-140	1/2" Dia. Sealing Rope, (9' For Burner Plate, 6' For Draft Hood Collar, 6' For Rear Access Door, and 6' Per Clean Out Door	
	590-735-154	5/8" Dia. Silicone Coated Sealing Rope For Section Perimeter, 22' Cut	1, 2, 3
	590-735-153	5/8" Dia. Sealing Rope- TP500 Type XI-625-60-5, 12' Cut To Length	1, 2, 3
	591-638-850	Silicone 4500 For Sealing Rope (10.3 Oz. Tube)	1, 2, 3
	591-638-855	Sealant, Loctite AVV, 50 CC Bottle	1, 2
591-638-851	Silicone Sealant (RTV 108 or Equivalent) (3 Oz. Tube)	3	
D	340-004-616	Flue Collar Assembly, 20" (Includes: Flue Collar With Flange, Damper, Damper Quadrant, Locking Plate, Swivel, Bracket, Counter-Flange and Rope)	1, 2, 3
N/S	330-056-634	Quadrant Flue Collar 8474	1, 2, 3
	460-003-640	Damper Blade For Flue Collar	1, 2, 3
	563-530-784	Damper Locking Plate	1, 2, 3
	560-340-570	Stud 1/2" X 4 1/4" Dap 104A	1, 2, 3
D1	460-030-930	Counterflange For 20" Flue 8 1/2" - 13X2" In H Box, Bolts With Washers	1, 2, 3
D2	460-030-936	Flue Adapter, 22" Steel 22-2594	1, 2, 3
F3	340-004-620	Front Observation Port Assembly #462 (Includes: Bottom, Intermediate And Top Observation Port Plates, Spring, Rope and Sight Glass)	1, 2, 3
F4	385-600-099	Back Observation Port Assembly (Includes: Frame, Rope, Gasket, Plugs and Sight Glass)	1, 2, 3
N/S	591-419-199	Back Sight Glass	1, 2, 3
	590-317-580	Washer For Back Sight Glass	1, 2, 3
K20	340-004-740	Cleanout Door Assembly #474 (Includes: Door, Hinge, Hinge Plate, Handle, Liner and Accessories)	1, 2, 3
N/S	340-004-635	Wing Nut Assembly With 3/8" X 1 1/4" Stud (Threads Into Mounting Stud) 9256	1, 2, 3
	560-340-560	Mounting Stud 92P112a	1, 2, 3
K22	330060-500	Hinge For Cleanout Door 9254	1, 2, 3

**94 - Series 1 Through 3  
Section Assembly Parts Continued**

Fig. No.	Part No.	Description	Series No.
K24	330-060-400	Hinge Plate For Cleanout Door 9253	1, 2, 3
N/S	590-524-867	Liner For Cleanout Door	1, 2, 3
K40	340-004-700	Back Access Door Assembly (Includes: Door Liner, Handle and Rope)	
	387-834-906	Refractory Liner For Back Access Door - Inside Of Door	
	560-340-560	Mounting Stud 92S112a	
K41	387-834-905	Refractory Shield For Back Access Door - Towards Flame Side Of Door	1, 2, 3
L	387-800-500	Heater Cover Plate Carton (Includes: Door Liner, Handle and Rope)	1, 2, 3
L1	590-317-544	Tankless Gasket	1, 2, 3
M	330-061-000	Cleanout Plate 9254	1, 2, 3
	330-060-700	Wing Nut Cleanout With ½" Tapping 9256	1, 2, 3
	560-340-570	Stud ½" X 4 " DAP 104A, 92P112A - Purchase Locally	1, 2, 3
N	330-060-200	6" Supply Elbow, Water Only Tapped, 9246	1, 2, 3
	330-060-300	8" Supply Elbow, Water Only Tapped, 9248A	1, 2, 3
	330-060-310	8" Supply Elbow, Steam Only Tapped, 92481-S	1, 2, 3
N1	590-317-546	Gasket For Supply Outlet (2 Required), 1 For Front Supply And 1 For Rear Supply	1, 2, 3
	560-340-579	Stud ⅝" X 3" 92P151A	1, 2, 3
N2	330-062-005	Cover Plate For Supply Outlet, 2-2", 9440	3
	330-059-910	Cover Plate For Supply Outlet, 4", 92140	1, 2, 3
N3	330-060-210	Top Supply Outlet, 10" Flanged, 92410	1, 2, 3
N4	590-317-625	Gasket For Top Supply Outlet, 10" (2 Required Per Fitting)	1, 2, 3
O1	388-135-300	Return Flange Reducer, 8" To 6", 086	1, 2, 3
O2	590-317-572	Gasket For Return Flange Reducer, Round	1, 2, 3
O3	330-062-001	Return Flange Adapter, 10", 9410	1, 2, 3
O4	590-317-620	Gasket For Return Flange Adapter, Rectangular	1, 2, 3
N/S	592-002-030	Touch Up Paint - Blue/Gray - Low E 4.5oz Can	All

## 94 - Series 1 Through 3 Water Trim Parts



Fig. No.	Part No.	Description	Boiler Size
1	383-600-092	ASME Pressure Relief Valve, 1" Inlet x 1¼" Side Outlet, Brass, 30 PSIG	21-23
	383-600-093	ASME Pressure Relief Valve, 1¼" Inlet x 1½" Side Outlet, Brass 30 PSIG	8, 24-25
	383-600-094	ASME Pressure Relief Valve, 1½" Inlet X 2" Side Outlet, Brass, 30 PSIG	9-10(1-required) 20 (2-required)
	383-600-095	ASME Pressure Relief Valve, 2" Inlet x 2½" Side Outlet, Brass, 30 PSIG	11-19 21-25
2	510-312-065	Combination High Limit/Low Limit Control High Limit: 130-240°F Low Limit: 115-240°F, Less Well	All All
3	510-218-065	Combination Pressure-Temperature Gauge 0-50 PSIG 60-260°F Back Connection, ½" N.P.T.	All All
N/S	590-921-910	Tankless Heater, (Includes: Heater, Gasket, Nuts and Studs)	
	560-340-577	Stud ⅜-16" NC-2A x 1.12 Long With ⅜-16" NC Brass Nut	
	590-317-550	Gasket Tankless Heater Cover Plate 5¼" x 10"	
	592-300-006	Well, ¾" N.P.T	

### Quantity Of Relief Valve/s Per 94 Series 3 Boiler Size

Relief Valve P/N	8	9	10	11	12	13	14	15	16	17	18	19	20	21	22	23	24	25
383-600-092														1	1	1		
383-600-093	1																1	1
383-600-094		1	1										2					
383-600-095				1	1	1	1	1	1	1	1	1		1	1	1	1	1

## 94 - Series 1 Through 3 Steam Trim Parts

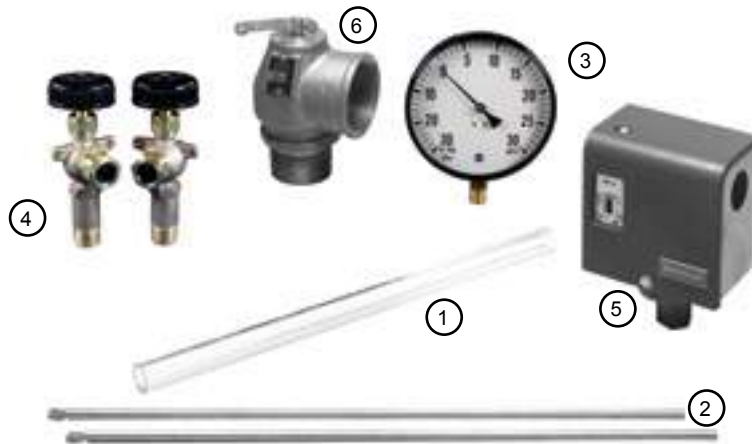


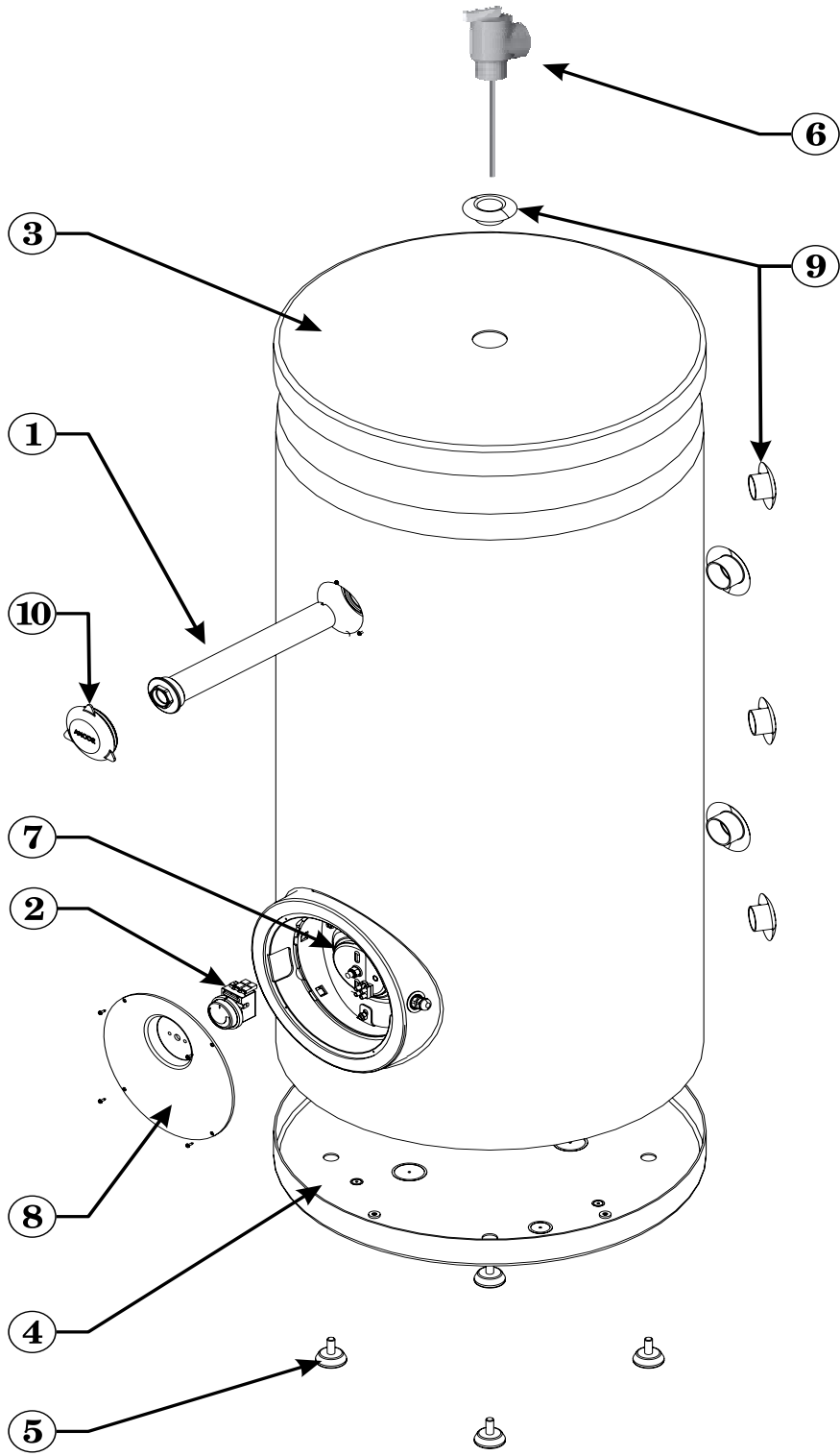
Fig. No.	Part No.	Description	Boiler Size
1	383-600-002	Gauge Glass Kit (Includes: Glass, Gaskets and Brass Washers)	All
2	563-334-595	Gauge Glass Guard 3/16" Dia. X 12½" Long	All (2 per Boiler)
3	510-218-100	Combination Pressure-Vacuum Gauge 0-30 PSIG 0-30"HG. 4½" Dial Bottom Connection N.P.T.	All
4	510-218-145	Water Gauge Glass Cock Set - ½" NPT Male Inlet - Long Stem	All
5	510-312-135	High Pressure Limit Operating Range: 0-9 PSIG Differential: 0-5 PSIG	All (2-Required)
	510-312-135	High Pressure Limit Operating Range: 0-9 PSIG Differential: 0-5 PSIG	All (2-Required)
6	383-600-108	Steam Safety Valve 1¼" Inlet Set To Relieve At 15 PSIG Side Outlet 1,200 Lbs./Hr. Capacity	See Table Below
	383-600-109	Steam Safety Valve 1½" Inlet Set To Relieve At 15 PSIG Side Outlet 1,900 Lbs./Hr. Capacity	See Table Below
	383-600-110	Steam Safety Valve 2" Inlet Set To Relieve At 15 PSIG Side Outlet 2,500 Lbs./Hr. Capacity	See Table Below
	383-600-111	Steam Safety Valve 2½" Inlet Set To Relieve At 15 PSIG Side Outlet 3,529 Lbs./Hr. Capacity	See Table Below
N/S	590-921-910	Tankless Heater, (Includes: Heater, Gasket, Nuts and Studs)	
	560-340-577	Stud ⅜-16" NC-2A x 1.12 Long With ⅜-16" NC Brass Nut	
	590-317-550	Gasket Tankless Heater Cover Plate 5¼" x 10"	

### Quantity Relief Valve/s Per 94 Series 3 Boiler Size

Relief Valve P/N	8	9	10	11	12	13	14	15	16	17	18	19	20	21	22	23	24	25
383-600-108			1	1														
383-600-109			1	1	2	2	1	1				1						
383-600-110	1	1					1	1	2	2	2		1	1				
383-600-111												1	1	1	2	2	2	2

# NOTES

# Aqua Plus Water Heater - Series 1

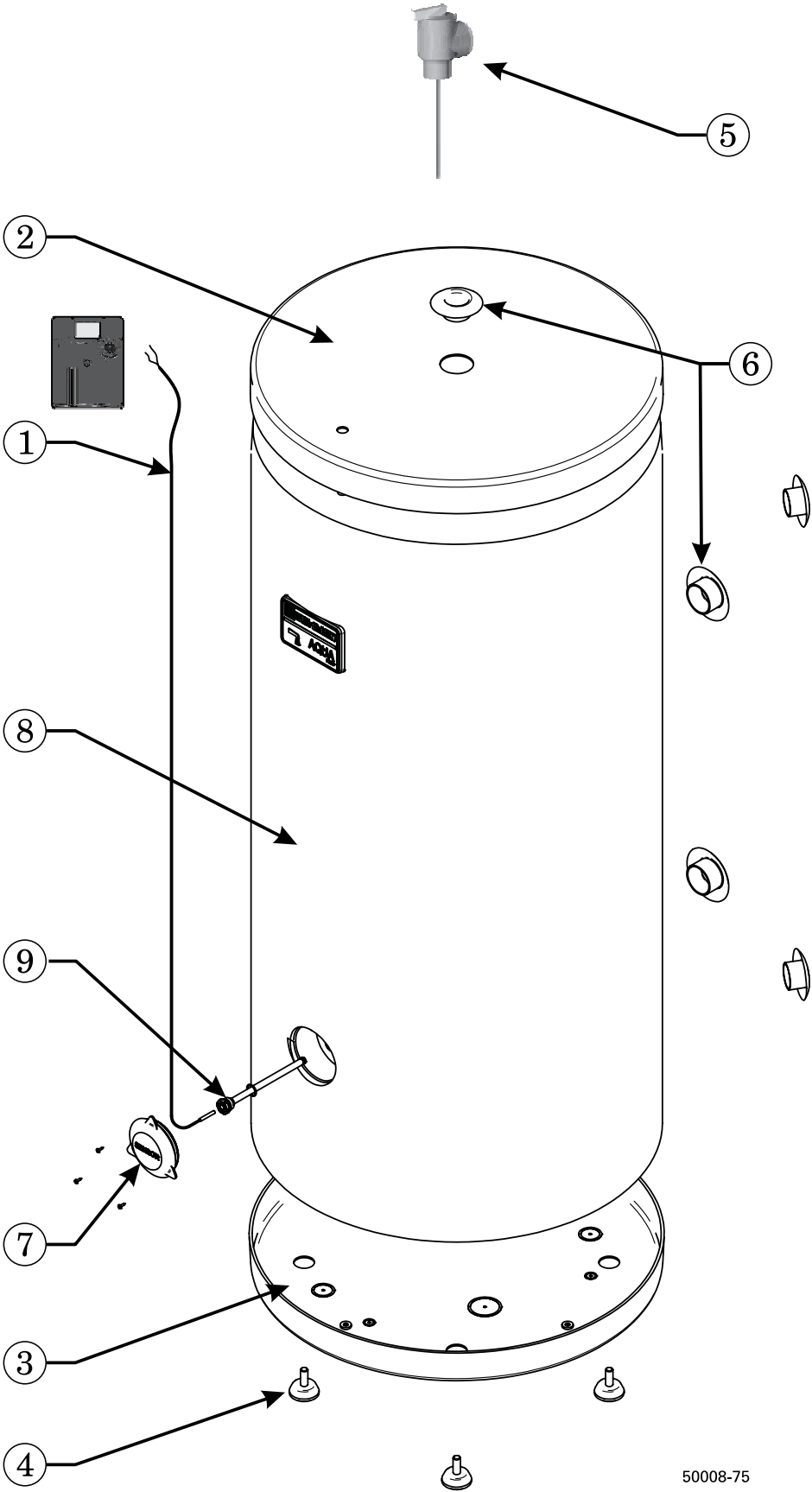




## Aqua Plus Water Heater - Series 1 Parts

Fig. No.	Part No.	Description	Model
1	633-500-014	Magnesium Anode Replacement Kit Includes (Anode Rod, O-ring, Insulating Washer and Brass Bushing & Instructions) 12.5 Inches Long 1¼" Socket Needed	35/45/55/85
	633-500-016	Magnesium Anode Replacement Kit Includes (Anode Rod, O-ring, Insulating Washer and Brass Bushing & Instructions) 13.8 Inches Long 1¼" Socket Needed	105
2	633-500-020	Thermostat Repair Kit (Includes Thermostat, and Instructions)	35/45/55/85
	633-500-021		105
3	633-500-024	Top Plastic Cap Replacement Kit	35/45/55
	633-500-025		85
	633-500-026		105
4	633-500-030	Bottom Plastic Cap Replacement Kit (Plastic Cap and 4 Screws)	35/45/55
	633-500-031		85
	633-500-032		105
5	633-500-036	Leveling Leg Replacement Kit	All
6	633-500-038	Temperature & Pressure Relief Valve Kit-(Includes - Watts EF-LF 100XL) 150 P.S.I., 210°, ¾" N.P.T.	35/45/55
	633-500-039	Temperature & Pressure Relief Valve Kit-(Includes - Watts LF - 40XL-5 ) 150 P.S.I., 205°, ¾" N.P.T.	85/105
N/S	633-500-042	Inspection and Service Kit (Includes Inspection Plate Gasket and Anode Gasket)	All
7	633-500-044	Inspection Plate Replacement Kit	All
8	633-500-046	Inspection Hatch Cover Replacement Kit	All
9	633-500-064	Fitting Grommet	¾"
	633-500-037		1"
10	633-500-048	Anode Cover	All
N/S	633-500-049	Jacket Replacement Kit-(Includes Jacket and Instructions)	35, Pewter
	633-500-050		45, Pewter
	633-500-051		55, Pewter
	633-500-052		85, Pewter
	633-500-053		105, Pewter
	633-500-054		35, Gold
	633-500-055		45, Gold
	633-500-056		55, Gold
	633-500-012	Mixing Valve Kit, 1"	All

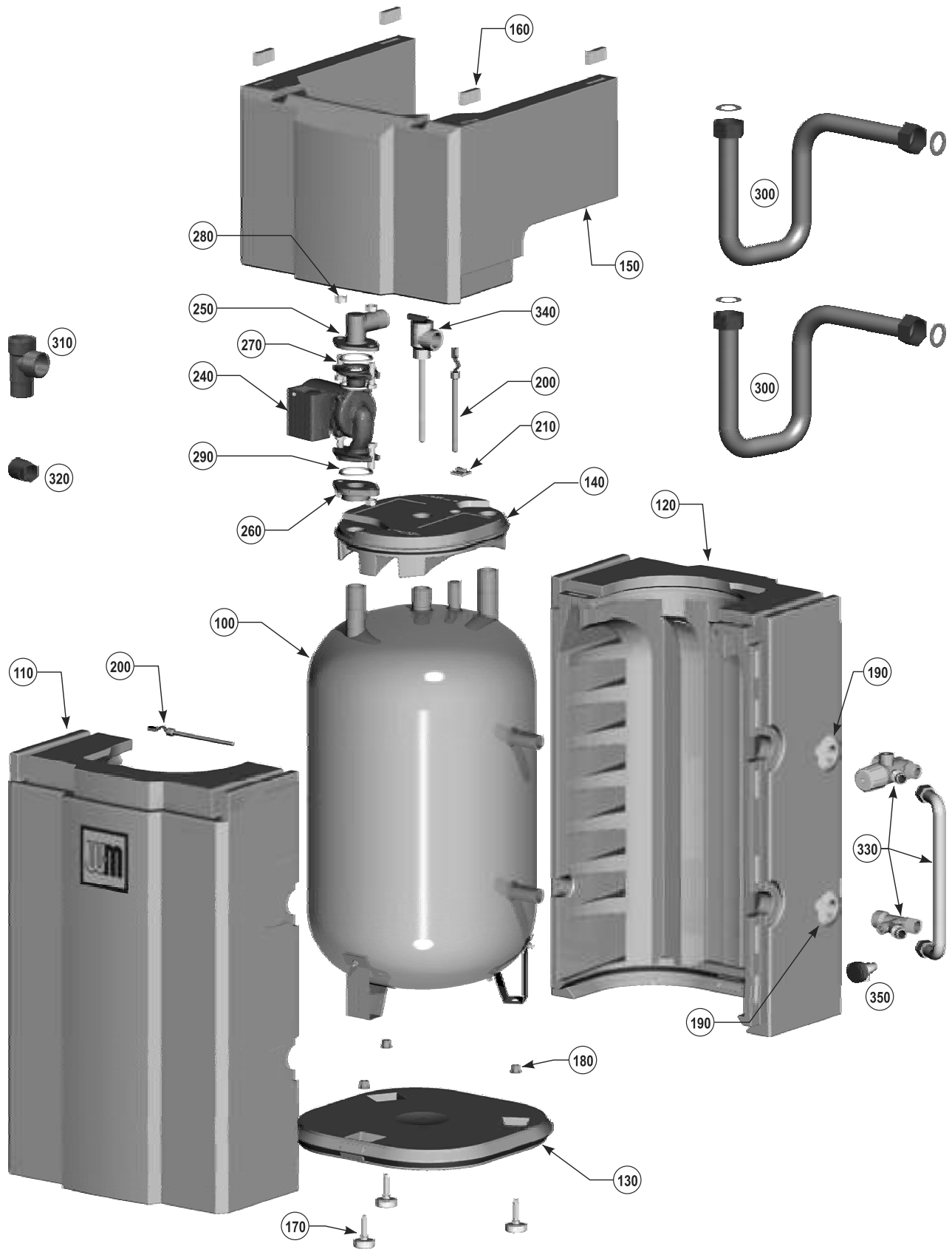
# Aqua Plus Water Heater Series 2



## Aqua Plus Water Heater Series 2 - Parts

Fig. No.	Part No.	Description	Model
1	633-600-012	Thermostat Repair Kit - (Includes Control And Sensor)	All
2	633-500-024	Top Plastic Cap Replacement Kit	35/45/55
	633-500-025		85
	633-500-026		105
3	633-500-030	Bottom Plastic Cap Replacement Kit (Plastic Cap and 4 Screws)	35/45/55
	633-500-031		85
	633-500-032		105
4	633-500-036	Leveling Leg Replacement Kit	All
5	633-500-038	Temperature & Pressure Relief Valve Kit-(Includes - Watts EF-LF 100XL) 150 P.S.I., 210°, ¾" N.P.T.	35/45/55
	633-500-039	Temperature & Pressure Relief Valve Kit-(Includes - Watts LF - 40XL-5 ) 150 P.S.I., 205°, ¾" N.P.T.	85/105
6	633-500-064	Fitting Grommet	¾"
	633-500-037		1"
7	633-500-131	Sensor Cover	All
8	633-500-132	Jacket Replacement Kit-(Includes Jacket and Instructions)	35, Pewter
	633-500-133		45, Pewter
	633-500-134		55, Pewter
	633-500-135		85, Pewter
	633-500-136		105, Pewter
9	633-500-137	Thermo Well	All
N/S	633-500-012	Mixing Valve Kit, 1"	All

# AquaLogic WM97+ Companion Water Heater

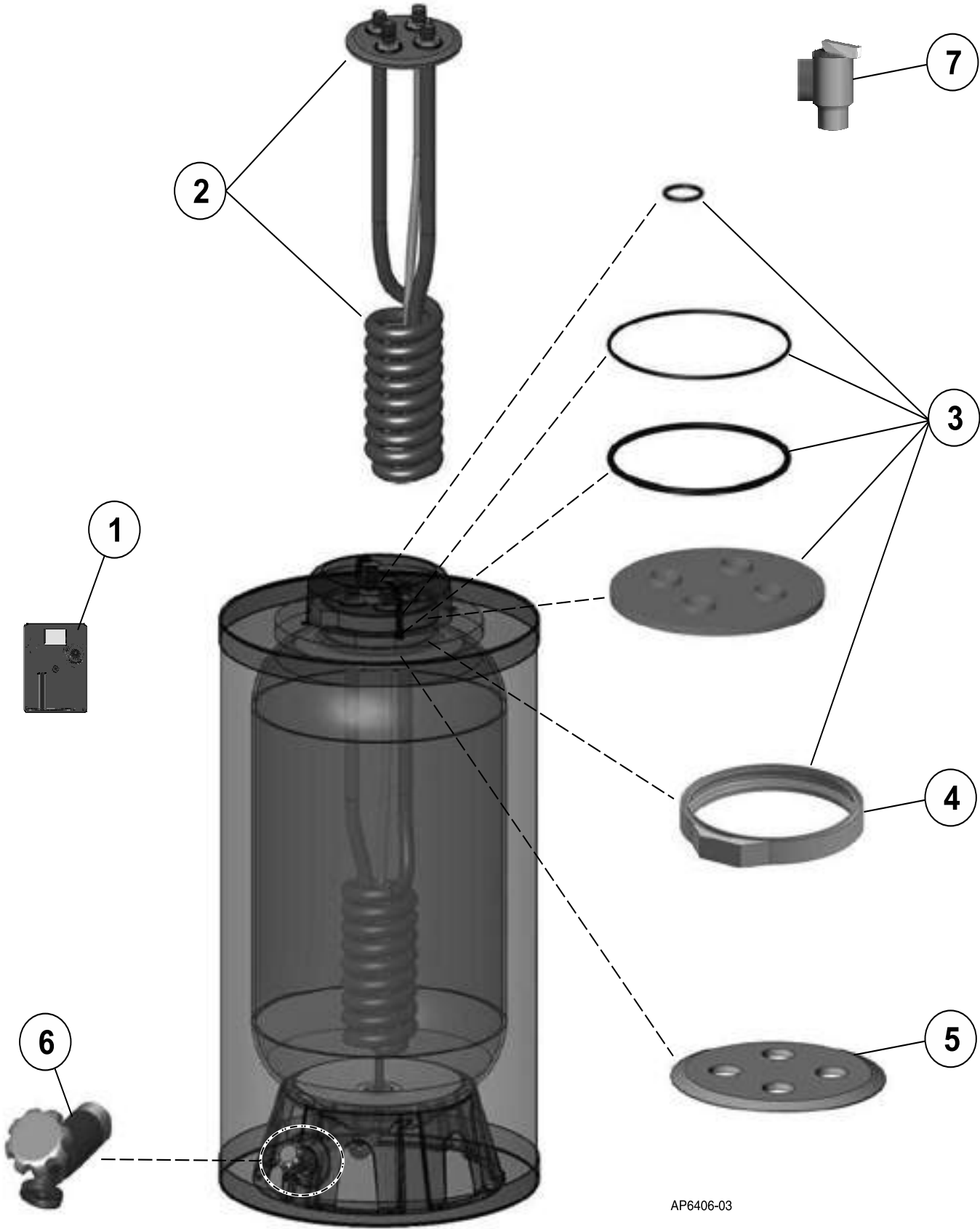


MISCELLANEOUS

## AquaLogic WM97+ Companion Water Heater Parts

Fig No.	Part No.	Description
100	635-900-059	Tank
110	383-700-211	Jacket Front
120	634-200-215	Jacket Back
130	634-200-216	Jacket Bottom
140	383-700-212	Jacket Top
150	634-200-218	Jacket Pipe Access Cover
160	563-039-981	Jacket Retainer Magnets - (4 Required)
170	590-424-256	Leveling Legs - (3 Required)
180	561-928-450	Riveted Nuts
190	562-248-756	Grommet, 1.22" O.D. - (2 Required)
200	383-700-210	Temperature Sensor - (2 Required)
	383-700-213	Sensor Well - Top Sensor - 12k ohm
	383-700-214	Sensor Well - Bottom Sensor - 12k ohm
210	562-650-119	Temperature Sensor Clip - (Holds Down Sensor By Securing Sensor Wires)
N/S	591-391-998	Wire Harness, Top and Lower Temperature Sensors
N/S	591-391-999	Wire Harness, Circulator
240	511-405-146	Circulator, Taco (0015)-3-Speed With Integral Flow/Check Valve. <b>(Do Not Substitute)</b>
250	560-907-735	Circulator Flange With 90-Degree Elbow
260	563-910-026	Circulator Flange, 1" N.P.T
270	562-136-260	Circulator Flange Bolts
280	561-928-235	Circulator Flange Nuts
290	590-317-543	Circulator Flange Gasket
300	560-907-700	Flexible Boiler Water Connector, 1" N.P.T Both Ends - (Includes Rubber Grommet on Each End) 2 Required
310	561-550-096	Tee, 1" FNPT X 1" FNPT X 1" MNPT
320	Local	Bushing, 1" X 3/4" N.P.T - Purchase Locally
330	383-700-209	Mixing Valve Kit, Honeywell AMX302TLF - (Includes Mixing Valve, Inlet Water Fitting, and Flexible Cold Water Connector Pipe)
340	633-500-038	T&P Relief Valve, 3/4" N.P.T, 150 PSI, 105MBH
350	511-246-402	Drain Valve, 1/4" N.P.T
N/S	635-500-163	Flex Line Insulation Kit - (Includes 2 Pieces Of Insulation and Instructions)

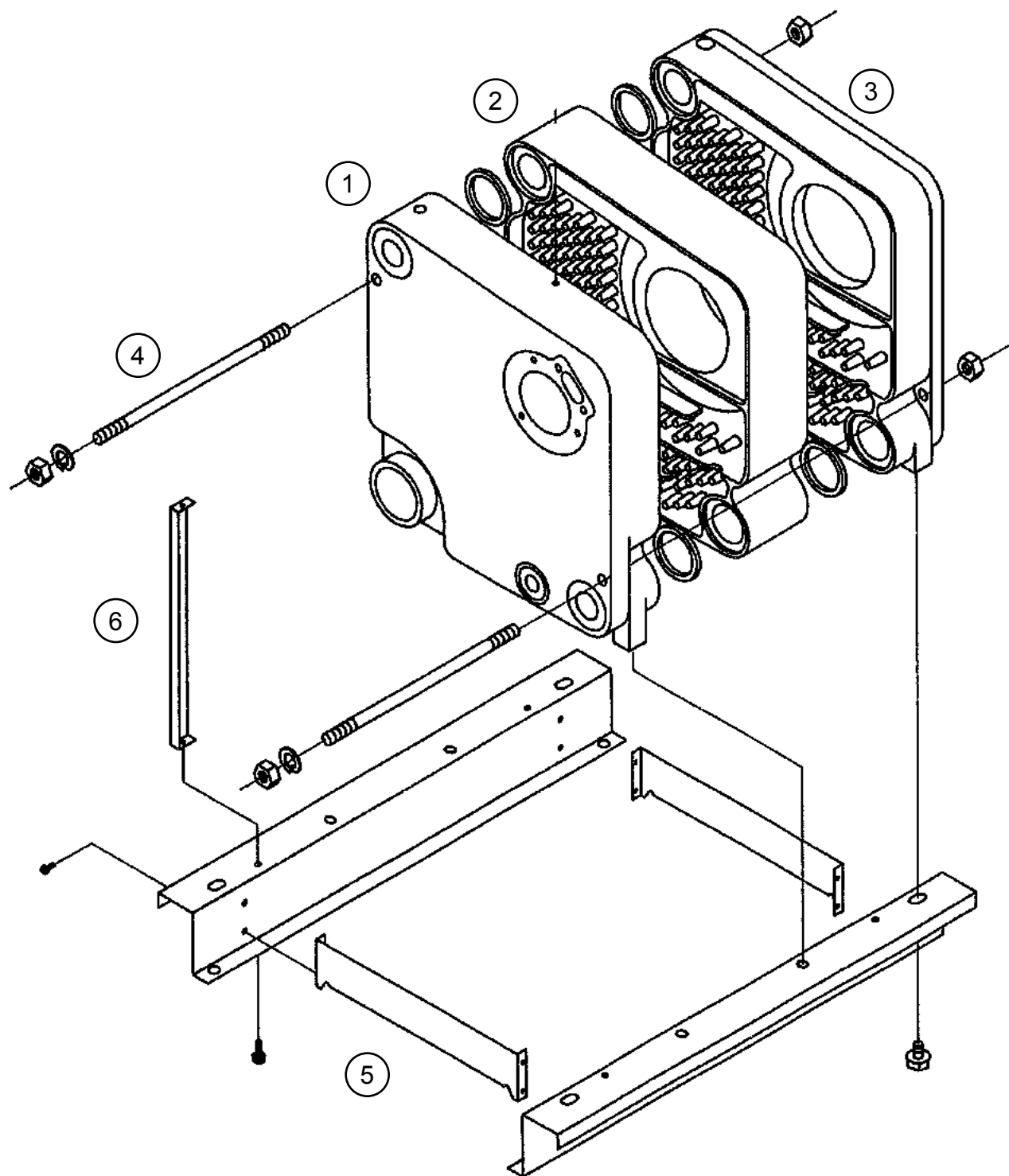
# Aqua Pro Water Heater



AP6406-03

## Aqua Pro Water Heater

Fig. No.	Part No.	Description	Model
1	633-600-011	Control Kit	All
2	633-500-204	Coil Kit	30/55
	633-500-205		80
	633-500-210		119
3	633-500-206	Gasket Kit	30/55
	633-500-211		80/119
4	633-500-208	V- Clamp	All
5	633-500-209	Steel Plate - 8.15"	30/55
	633-500-212		80/119
6	633-500-207	Brass Drain Valve - 3/4"	All
7	633-500-038	Temperature/Pressure Relief Valve - 3/4"	30/55
	633-500-039		80/119
N/S	633-500-012	Mixing Valve - 1" Optional	All

GV - Series 1 & 2  
Section Assembly



## GV - Series 1 & 2 Section Assembly Parts

Fig. No.	Part No.	Description	Series No.	Model
N/S	322-200-240	Section Assembly (Repair Kit Required) See Note 1	1,2	GV-3
	322-200-245		1,2	GV-4
	322-200-250		1,2	GV-5
	322-200-255	Section Assembly, GV-6 (Repair Kit Required)	1,2	GV-6
	382-200-390	Repair Kit For Replacing Entire Block (Includes: Water Tubing-Pump to Return, 1" N.P.T. Male Adapters, Blower Flange Gasket, Igniter and Gasket, Screws, Studs, Nuts, Washers)	2	All
	382-200-461	Repair Kit For Replacing Entire Block (Includes: Water Tubing-Pump to Return, 1" N.P.T. Male Adapters, Blower Flange Gasket, Igniter and Gasket, Screws, Studs, Nuts, Washers)	1	
1	312-200-140	Front Section 3914 (Repair Kit Required)	2	
2	312-200-110	Intermediate Section 3915 (Repair Kit Required)	1,2	
3	312-200-130	Back Section 3918 (Repair Kit Required)	1,2	
N/S	382-200-300	Repair Kit, Front Section (Includes: Square Cut Seals, Silicone Sealant, Tie Rod Washers, Water Tubing-Pump to Return, 1" N.P.T. Male Adapters, Blower Flange Gasket, Igniter, Igniter Gasket, Screws, Studs, Washers, Nuts)	1,2	
	382-200-305	Repair Kit, Intermediate/ Back Sections (Includes: Square Cut Seals, Silicone Sealant, Tie Rod Nuts, Tie Rod Washers) 1 Kit Per Joint	1,2	
4	560-234-499	7/16" Tie Rod Without Nut (2 Per Boiler): (10-1/2")	1,2	GV-3
	560-234-525	7/16" Tie Rod Without Nut (2 Per Boiler): (14")	1,2	GV-4
	560-234-503	7/16" Tie Rod Without Nut (2 Per Boiler): (18")	1,2	GV-5
	560-234-504	7/16" Tie Rod Without Nut (2 Per Boiler): (21")	1,2	GV-6
	561-928-235	Regular Hex Nut 7/16" (2 Per Tie Rod)	2	
	562-248-684	Washer, Medium Plain Split Lock 7/16 (1 Per Tie Rod)	1,2	
5	452-100-080	Base Rail Brace	1,2	
6	452-100-111	Blower Housing Support	1,2	
N/S	592-002-029	Touch Up Paint - Gold - Low E 4.5oz Can		All

**Note 1:**

**Series 1 block assembly for GV boilers no longer available. Series 2 block can be used on Series 1 boiler. Only difference is bypass tapping on top of front section is 3/4" on series 2 block and 1/2" on series 1 block. Use 3/4" x 1/2" bushing and/or see Tech Bulletin SB0401R1 at our web site, [www.weil-mclain.com](http://www.weil-mclain.com).**

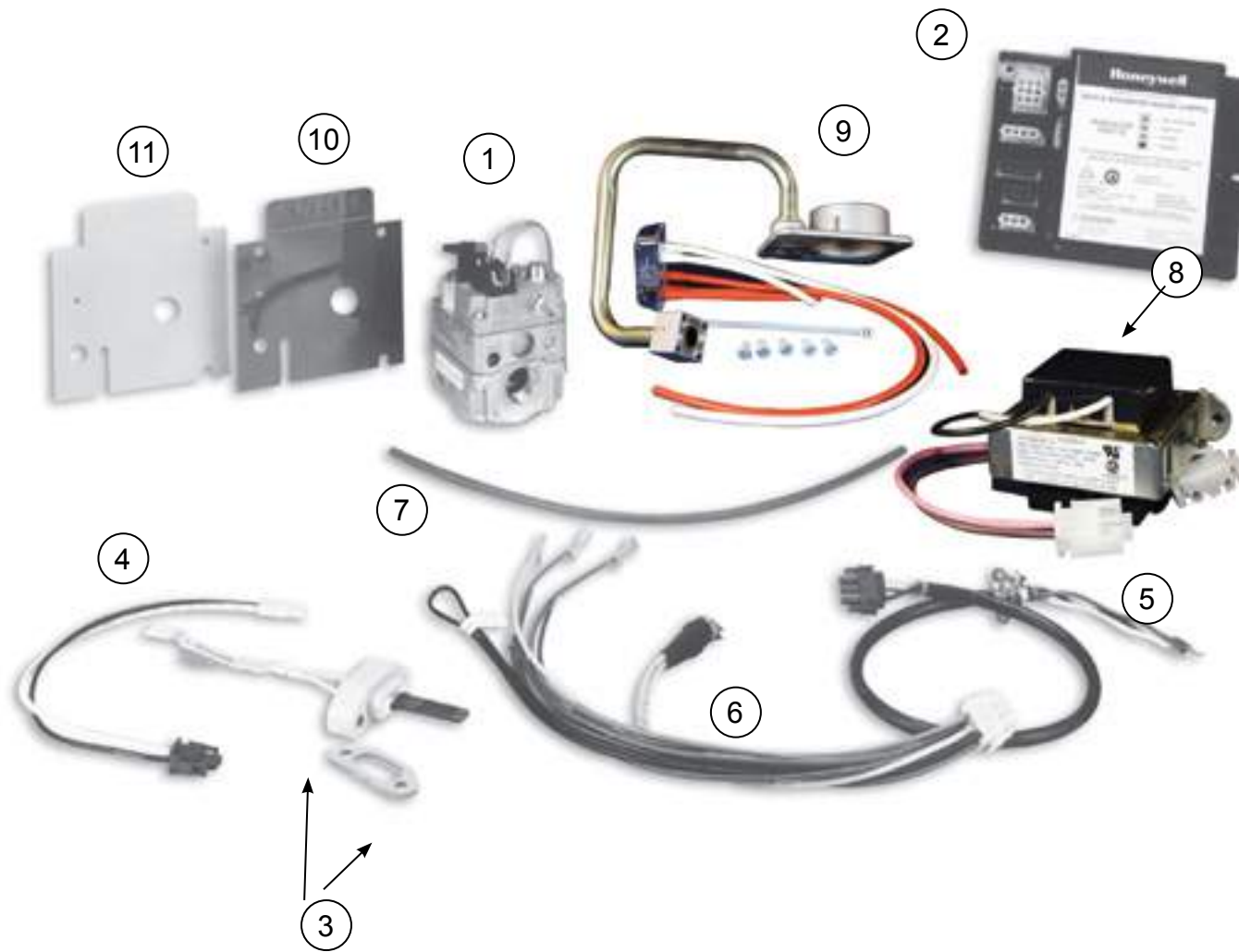
GV - Series 1 & 2  
Blower Assembly



## GV - Series 1 & 2 Blower Assembly Parts

Fig. No.	Part No.	Description	Model
1	382-200-320	Burner Replacement Kit (Includes: Burner Cone And Ring Assembly, Blower Flange Gasket, Igniter, Igniter Gasket, Igniter Screws and Washers)	GV-3
	382-200-325		GV-4
	382-200-330		GV-5
	382-200-335		GV-6
2	382-200-340	Blower Assembly Replacement Kit (Includes: Blower Housing Assembly, Blower Motor With Mounting Brackets, Magnetic Washer, Blower Flange Gasket, Igniter, Igniter Gasket, Screws and Washers)	
3	382-200-345	Blower Motor Replacement Kit (Includes: Blower Motor, Motor Mount Grommets, Screws, Lock Nuts, 9" Tee Handle Allen Wrench)	
4	590-317-610	Blower Flange Gasket	
N/S	590-317-599	Igniter Gasket	
5	511-624-520	Pressure Switch (0 to 5,500 ft. Elevation) 1.4" W.C.	
	382-200-317	Pressure Switch Kit (5,500 ft. to 10,000 ft. Elevation) 1.25" W.C.	
6, 7	382-200-409	Sense Line Condensate Kit (Includes: 2 White Pressure Switch Tubes, 3 Red Pressure Switch Tubes and Plastic Condensate Trap)	
8	382-200-315	Inlet Air Hose Replacement Kit (Includes: 13" Black Flexible Intake Hose with Clamps)	
9	382-200-310	Inlet Air Fitting, Plastic, with Grill	
N/S	382-200-350	Vent Ell Replacement Kit, Stainless Steel (Includes: Vent Ell With Drain Barb, Sealant, Hose Clamp Screws and Instructions)	
10	382-200-430	Intake/Exhaust Termination Kit (Includes: Black Plastic Intake/Exhaust Cap, Mounting And Backing Plate, Hardware, and Instructions)	
N/S	699-999-021	Vent Starter/Termination Retrofit Kit (Includes: Stainless Vent Ell With Drain Barb, Standard Straight 3" Stainless Starter, Stainless Termination Coupling, High Temp Silicone, Black Plastic Intake/Exhaust Plate, Stainless Wall Mount Plate, Hardware and Instructions)	
11	382-200-385	Hose Trap Replacement Kit (Includes: 9.5" Flexible Drain Hose and 2 Clamps)	
N/S	382-200-406	Condensate Drain Line Check Valve Kit	All
	592-900-036	Anderol 465 1.7oz. Tube	All
	381-400-010	GV Bug Box - Instructions Included	All

# GV - Series 1 & 2 Gas / Ignition Controls



## GV - Series 1 & 2 Gas / Ignition Control Parts

Fig. No.	Part No.	Description	Model
1	382-200-410	Gas Valve Replacement Kit (Includes: Negative Regulation Gas Valve, Left Hand Thread Adapter for Outlet, Hand Valve, Mounting Bracket, 12 VDC, Wiring Harness With 24 Vac to 19-21 VDC Rectifier)	
2	382-200-448	Gold Control Module Conversion Kit (Includes: Module, Circulator Harness, Temperature Sensor Jumper)	
3	511-330-148	Igniter Replacement Kit (Includes: Norton 271Y Igniter, Gasket and Screws)	
N/S	590-317-599	Igniter Gasket	
4	591-391-819	Wiring Harness – Control Module to Igniter	
5	591-391-821	Wiring Harness – Control Module to Junction Box	
6	591-391-820	Wiring Harness 9 Pin Connector, Control Module to T-Stat, Limit Switch, Pressure Switch, 24VAC Gas Valve, and Block Limit Switch. Used with White-Rodgers or Robertshaw Gas Valve	
N/S	591-391-919	Wiring Harness 9 Pin Connector, Control Module to T-Stat, Limit Switch, Pressure Switch, 19-21 VDC Gas Valve and Block Limit Switch. Used only with Honeywell VK8115V-1176 Gas Valve	
	591-391-902	Circulator Harness With Temperature Sensor Jumper - Included With 382-200-448 Conversion Kit	All
7	382-200-409	Pressure Switch Tubing – Replaced by Sense Line Condensate Kit (Includes: 2 White Pressure Switch Tubes, 3 Red Pressure Switch Tubes and Plastic Condensate Trap)	
8	511-842-370	24 volt Step Down Transformer, 40 VA	
9	382-200-355	Gas/Air Manifold Assembly (Includes: Manifold, Die Casting, Hose Barbs, Left Hand Threaded Fitting for Gas Valve)	
10	510-811-600	Natural to Propane Conversion Kit (Includes: Propane Orifice Plate, label)	GV-3
	510-811-605		GV-4
	510-811-610		GV-5
	510-811-615		GV-6
11	510-811-620	Propane to Natural Conversion Kit (Includes: Natural Orifice Plate, label)	GV-3
	510-811-625		GV-4
	510-811-630		GV-5
	510-811-635		GV-6

### GV - Series 1 & 2 Water Trim

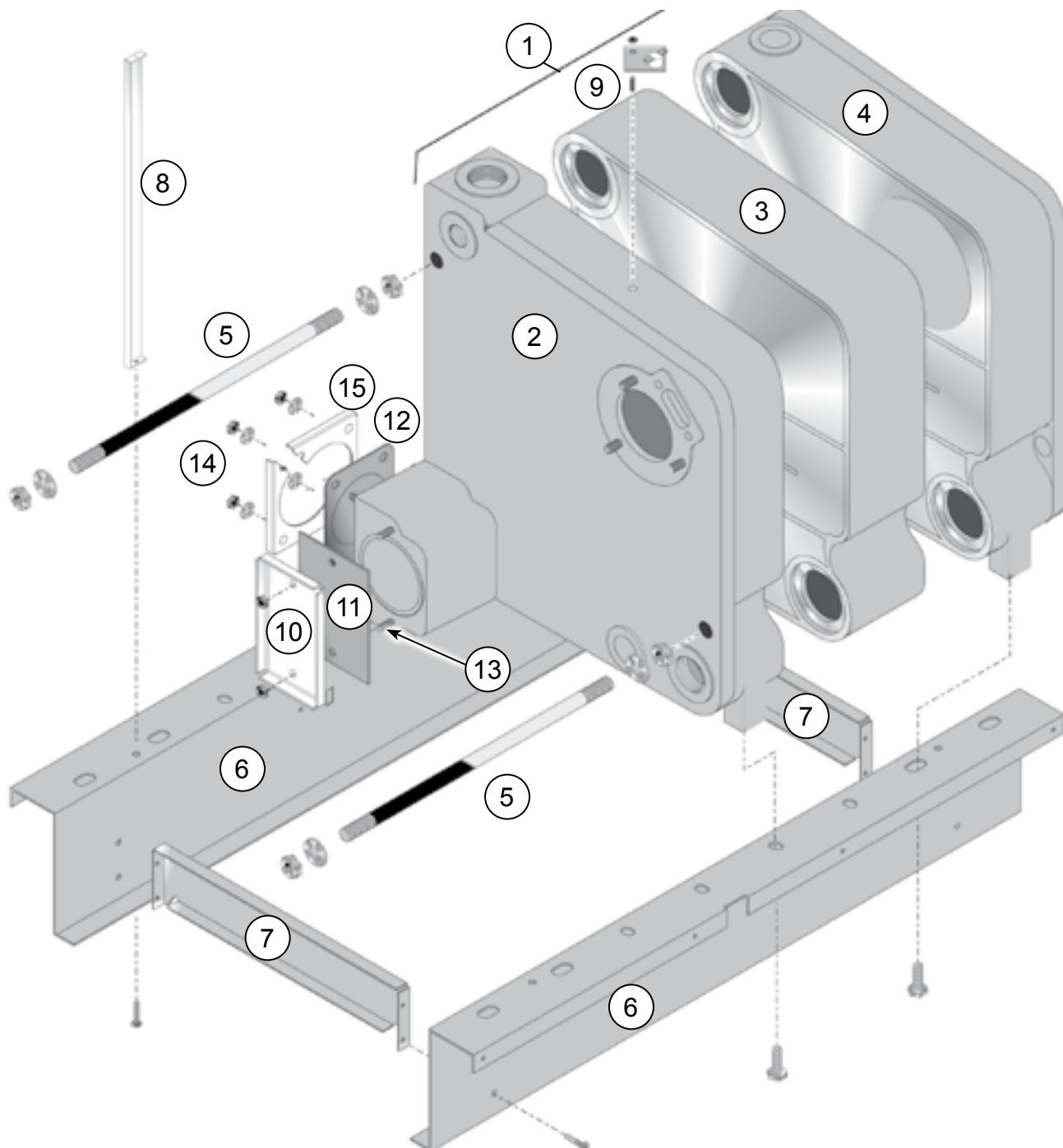


## GV - Series 1 & 2 Water Trim

Fig. No.	Part No.	Description
1	510-312-021	High Limit Temperature Control, SPST, Automatic Recycle, 140-220°F, Range 30°F Fixed Differential, ½" N.P.T. Brass Control Well, No Remote Capillary, Mounts Directly On Well.
2	383-500-095	ASME Pressure Relief Valve, 30 PSIG, ¾" N.P.T. Male Inlet, Brass, Side ¾" N.P.T. Female Outlet
3	510-218-099	Combination Pressure-Temperature Gauge, 2½" Dial, 0-60 PSIG, 70-250°F, Short Shank, Back Connection, ¼" N.P.T.
4	511-210-423	Drain Valve, ¾" N.P.T., 1½" Shank, Brass
5	511-405-113	Circulator, 1/25 HP, 120/60/1 Motor, 1,750 RPM, .75 Amps
6	590-317-535	Circulator Gasket, Diamond Universal (Two Required Per Circulator)
7	381-354-525	Circulator Hardware Kit (Includes: 1 Flange, 2 Bolts, 2 Nuts, 1 Gasket, 1" N.P.T, Fits Taco Circulators)
8	591-391-818	Wiring Harness, Control Module to Circulator
9	Obsolete	Mixing Valve Series 2 (See Weil-McLain Technical Service Bulletin SB0401R1)
10	Obsolete	Mixing Valve Repair Kit (See Weil-McLain Technical Service Bulletin SB0401R1)
11	382-200-375	Block Temperature Switch Kit (Includes: Block Switch (350° Open, 250° Close and Mounting Bracket )
12	510-148-567	Automatic Air Vent, Float Type, ⅛" N.P.T.
N/S	561-013-849	Reducing Coupling, ½" x ⅛" N.P.T. For Taco Air Vent
13	510-632-088	Fill-Trol Diaphragm Expansion Tank, (Tank Only) with O-ring and Special Thread Connection To Fill Valve For GV 3 To 5
	510-632-089	Fill-Trol Diaphragm Expansion Tank, (Tank Only) with O-ring and Special Thread Connection To Fill Valve For GV-6
N/S	511-210-434	Fill Valve Angle Style-90 with Built-in Strainer, Pressure Reducer, Check Valve Requires User Provided Shut-Off Valve
	382-200-420	Fill-Trol Package Tank Kit with Fittings – For GV-3 To 5
	382-200-425	Fill-Trol Package Tank Kit with Fittings – For GV-6
	560-742-938	Copper Return Bend, 1", Requires 2 – 1" N.P.T. X 1" Sweat Adapters Which May Be Obtained Locally



GV - Series 3 & 4  
Section Assembly





## GV - Series 3 & 4 Section Assembly Parts

Fig. No.	Part No.	Description	Model
1	322-200-280	Section Assembly (Repair Kit Required)	GV-3
	322-200-281		GV-4
	322-200-282		GV-5
	322-200-283		GV-6
N/S	382-200-391	Repair Kit, Section Assemblies (Includes: Water Tubing, Pump to Return, Male Adapter 1" N.P.T., Blower Flange Gasket, Ignitor, Ignitor Gasket, Screws, Studs, Nuts, Washers)	
2	312-200-150	Front Section 3913 (Repair Kit Required)	All
N/S	382-200-301	Repair Kit, Front Section (Includes: Square Cut Seals, Silicone Sealant, Tie Rod Washers, Water Tubing, Pump Tt Return, Male Adapters 1" N.P.T., Blower Flange Gasket, Ignitor, Ignitor Gasket, Screws, Studs, Washers, Nuts)	
3	312-200-110	Intermediate Section 3915 (Repair Kit Required)	All
4	312-200-130	Back Section 3918 (Repair Kit Required)	All
N/S	382-200-305	Repair Kit, Intermediate/Back Sections (Includes: Square Cut Seals, Silicone Sealant, Tie Rod Nuts, Tie Rod Washers – (1) Kit Per Joint)	
	592-800-011	Square Cut Seals For Sections, 2" - 2 Required Per Joint	All
5	560-234-499	7/16" Tie Rod Without Nut (2 Per Boiler) (10 ½")	GV-3
	560-234-525	7/16" Tie Rod Without Nut (2 Per Boiler) (14")	GV-4
	560-234-503	7/16" Tie Rod Without Nut (2 Per Boiler) (18")	GV-5
	560-234-504	7/16" Tie Rod Without Nut (2 Per Boiler) (21")	GV-6
N/S	562-248-684	Washer Medium Plain Split Lock 7/16 (1 Per Tie Rod)	All
6	452-100-170	Base Rail Leg	GV-3 & 4
7	452-100-080	Base Rail Brace	All
8	452-100-111	Blower Housing Support	All
9	382-200-375	Block Temperature Switch Kit (Includes: Block Switch (350° Open, 250° Close) and Mounting Bracket)	All
10	560-907-629	Inspection Port Cover	All
11	590-317-628	Inspection Port Gasket	All
12	590-317-653	Starter Tee Gasket	All
13	560-340-581	Stud 5/16" – 18 x 1.25	All
14	Obtain Locally	Hex Nuts 4 Each 5/16" With Nylon Lockseal, Washer, Plain, 4 Each 5/16"	All
15	699-999-029	Vent Starter Tee Reinforcing Plate Sections (2)	All
N/S	592-002-029	Touch Up Paint - Gold - Low E 4.5oz Can	All

## GV - Series 3 & 4 Blower Assembly Parts

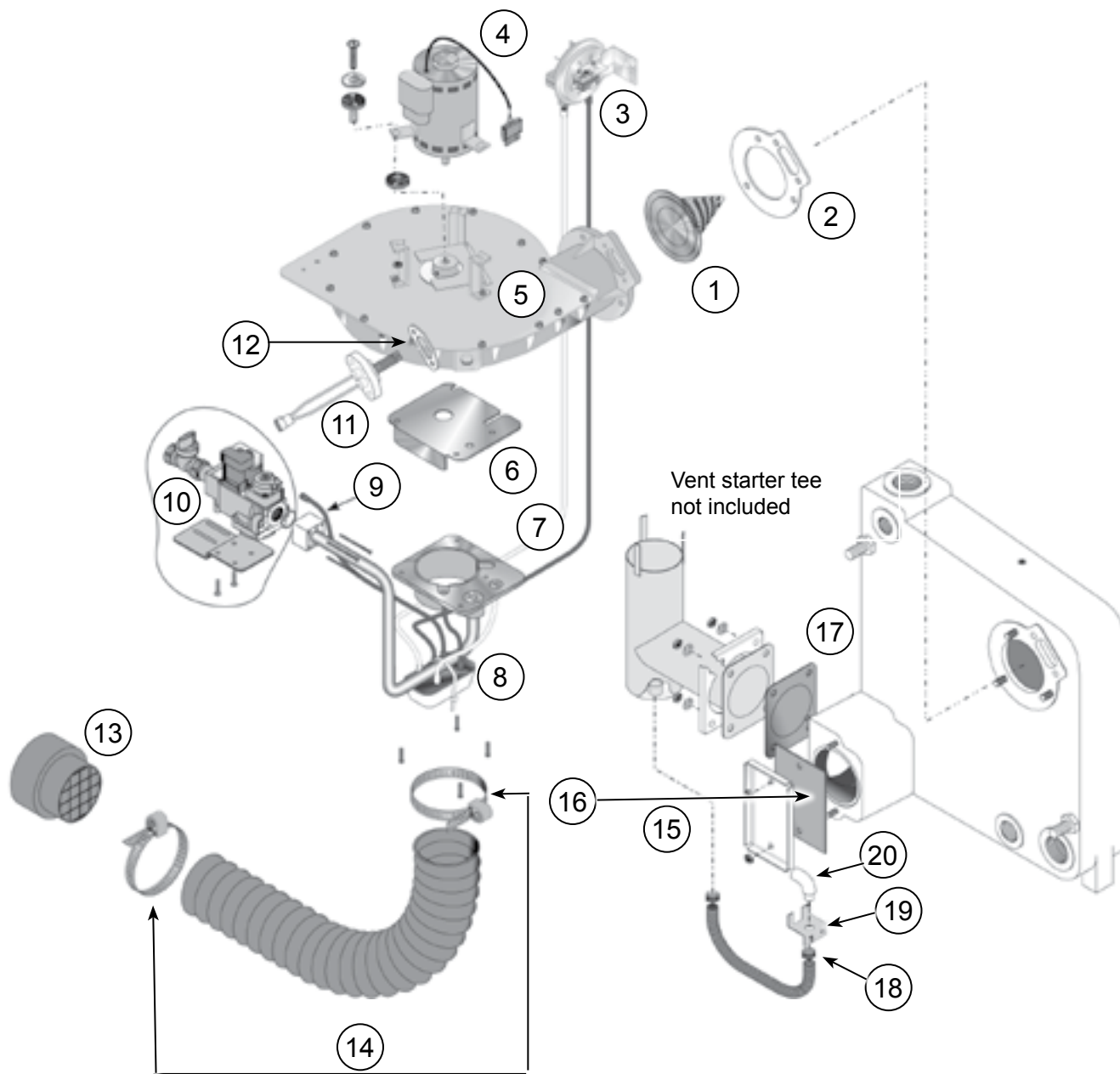
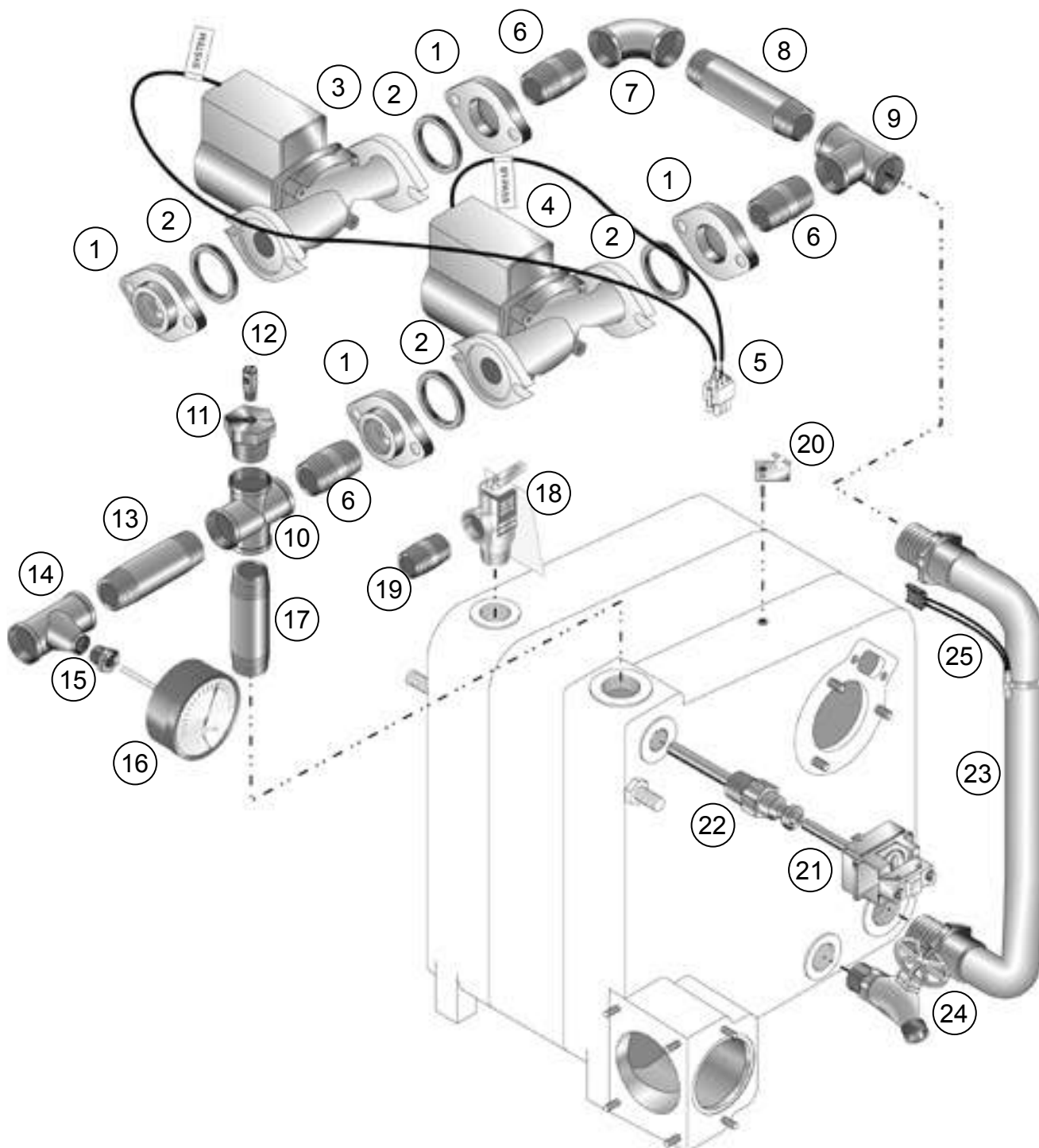


Fig. No.	Part No.	Description	Model
1	382-200-320	Burner Replacement Kit (Includes: Burner Cone And Ring Assembly, Blower Flange Gasket, Ignitor Washers, Ignitor Gasket)	GV-3
	382-200-325		GV-4
	382-200-330		GV-5
	382-200-335		GV-6
2	590-317-610	Blower Flange Gasket	
3	511-624-520	Air Pressure Switch (0-5500' Elevation) - 1.4" W. C.	
	382-200-317	Air Pressure Switch Kit – High Altitude (5500 – 10,000' Elevation) - 1.25" W.C.	

## GV - Series 3 & 4 Blower Assembly Parts Continued

Fig. No.	Part No.	Description	Model
4	382-200-345	Blower Motor Replacement Kit (Includes: Blower Motor, Motor Mount, Grommets, Screws, Lock Nuts, Allen Wrench)	
5	382-200-340	Blower Housing Assembly Replacement Kit (Includes: Housing, Observation Port Window, Motor Mount Brackets, Lock Nuts, Grommets, Blower Motor (Fasco 716-2941), Blower Wheel, Magnetic Washer, Silicone Sealant, Screws, Blower Flange Gasket, Ignitor, Ignitor Screws, Ignitor Washers, Ignitor Gasket)	
6	510-811-600	Conversion Kit, Natural to Propane (Includes: Propane Orifice Plate, Label)	GV-3
	510-811-605		GV-4
	510-811-610		GV-5
	510-811-615		GV-6
	510-811-620	Conversion Kit, Propane to Natural (Includes: Orifice Plate)	GV-3
	510-811-625		GV-4
	510-811-630		GV-5
	510-811-635		GV-6
7	382-200-362	Gas/Air Manifold Assembly (Includes: Gas/Air Manifold, Gas Tubing, Washers, Screws and Gas Valve O-ring)-(Series-4)	
	382-200-355	Gas/Air Manifold Assembly, Left Hand Threaded Fitting For Gas Valve, and Mounting Bracket) with White-Rodgers or Robertshaw ONLY - (Series-3)	
8	382-200-409	Sense Line Condensate Kit ( Condensate Trap, Hoses)	
9	590-317-647	Gas Valve Tubing To Gas/Air Manifold	
10	382-200-411	Gas Valve Replacement Kit (Includes: Gas Valve, Gas Cock, ½" Nipple, Mounting Bracket & Gas Valve O-ring)- (Series-4)	
	382-200-410	Gas Valve Replacement Kit, Left Hand Thread Adapter, Mounting Bracket, Rectifier) White-Rodgers or Robertshaw ONLY - (Series-3)	
11	511-330-148	Ignitor Replacement Kit (Includes: Ignitor, Gasket)	
12	590-317-599	Ignitor Gasket	
13	382-200-310	Inlet Air Fitting	
14	382-200-315	Kit, Inlet Air Hose and Two Clamps	
15	560-907-629	Inspection Port Cover	
16	590-317-628	Inspection Port Gasket	
17	590-317-629	Starter Tee Gasket	
18	382-200-385	Hose Trap Replacement Kit (Includes: Hose and 2 Clamps)	
19	452-100-112	Drain Bracket	
20	560-907-650	Drain Ell	
N/S	382-200-430	Vent/Air Intake Terminal Kit S.S. (Includes: Intake/Exhaust Cap, Mounting and Backing Plate, Exhaust Tube Spacer, Anchors, Screws and Washers)	
	382-200-406	Condensate Check Valve	
	592-900-036	Anderol 465 - 1.7 oz.Tube	

### GV - Series 3 & 4 Water Trim



## GV - Series 3 & 4 Water Trim Parts

Fig. No.	Part No.	Description
1	381-354-525	1" Universal Hardware Kit (Includes: Flange, Gasket, Screw, Nuts)
2	590-317-535	Universal Circulator Gasket
3, 4	511-405-113	System And Bypass Circulator (1/25 HP, 120/60/1 Motor, 1,750 RPM)
5	591-391-824	Wiring Harness, Dual Circulators To Control Module
6	Available Locally	Nipple, Black, 1" x Close
7		Elbow, Black, 1"
8		Nipple, Black, 1" x 4 1/2"
9		Tee, Black, 1"
10		Cross, Black
11		Bushing, Black, 1" x 1/8"
12	510-148-565	Coin Vent, 1/8" N.P.T.
13	Available Locally	Nipple, Black, 1" x 3"
14		Reducing Tee, Black, 1" x 1" x 1/2"
15		Bushing, Black, 1/2" x 3"
16	380-000-000	Combination Pressure-Temperature Gauge Kit, 60° - 360° F 0-75 PSI, 3/8" Dia, 1/4" N.P.T., Short Shank, With 1/4" x 1/2" Reducing Bushing (Series-4)
	510-218-099	Combination Pressure-Temperature Gauge, 2 1/2" Dial, 0-60 PSIG, 70-250°F, Short Shank, 1/4" N.P.T. (Series-3)
17	Available Locally	Nipple, Black, 1" x 4"
18	383-500-095	Pressure Relief Valve, 3/4" Male Inlet, 30 PSIG
19	Available Locally	Nipple, Black, 1/4" x 3"
20	382-200-375	Block Temperature Switch Kit (Includes: Block Switch (350° Open, 250° Close) and Mounting Bracket)
21, 22	510-312-021	High Limit Temperature Control, SPST, Automatic Recycle, 160-220°F 30°F Fixed Subtractive Differential, 1/2" N.P.T. Brass Control Well
23	560-742-938	Copper Return Bend, 1", Requires 2-1" N.P.T. x 1" Sweat Adapters Which Can Be Obtained Locally
24	511-246-392	Drain Valve, 1/4" x 1 1/2" Shank
25	511-330-089	Water Temperature Sensor and Clamp with 12" Leads
N/S	510-632-088	Fill-Trol Diaphragm Expansion Tank, (Tank only) With "O" Ring and Machine Thread Connection To Fill Valve
	510-632-089	
	511-210-434	Fill Valve Angle Style-90 With Built-in Strainer, Pressure Reducer, Check Valve Requires User Provided Shut-Off Valve
	382-200-420	Fill-Trol Package Tank Kit With Fittings
	382-200-425	

## GV - Series 3 & 4 Control Parts

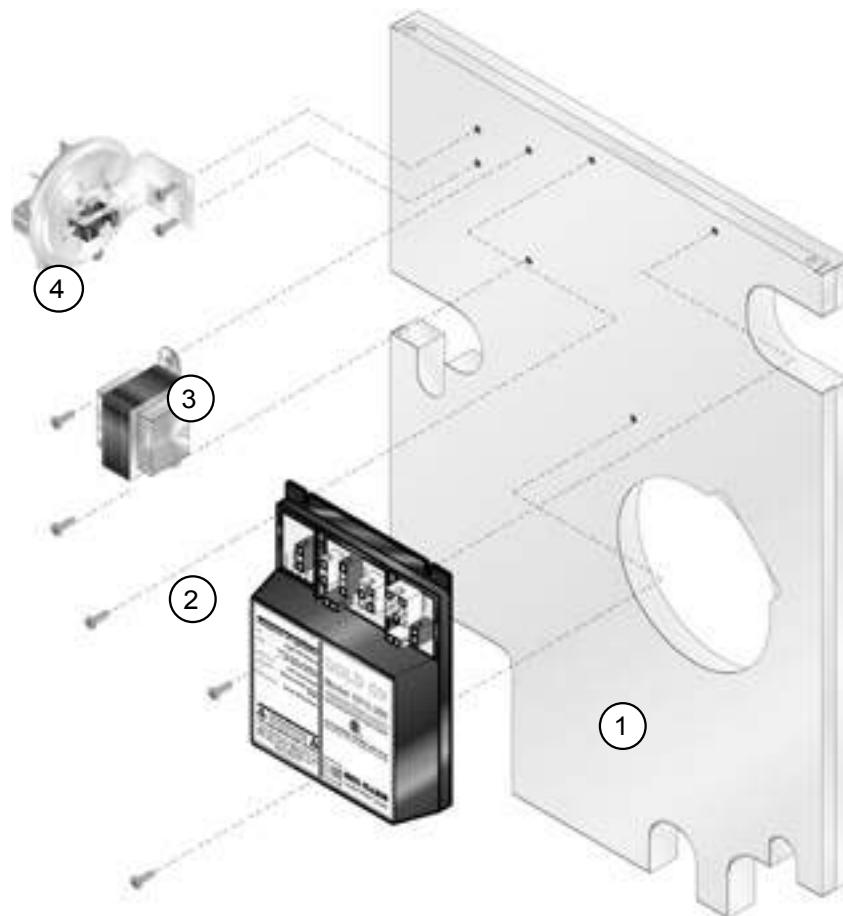
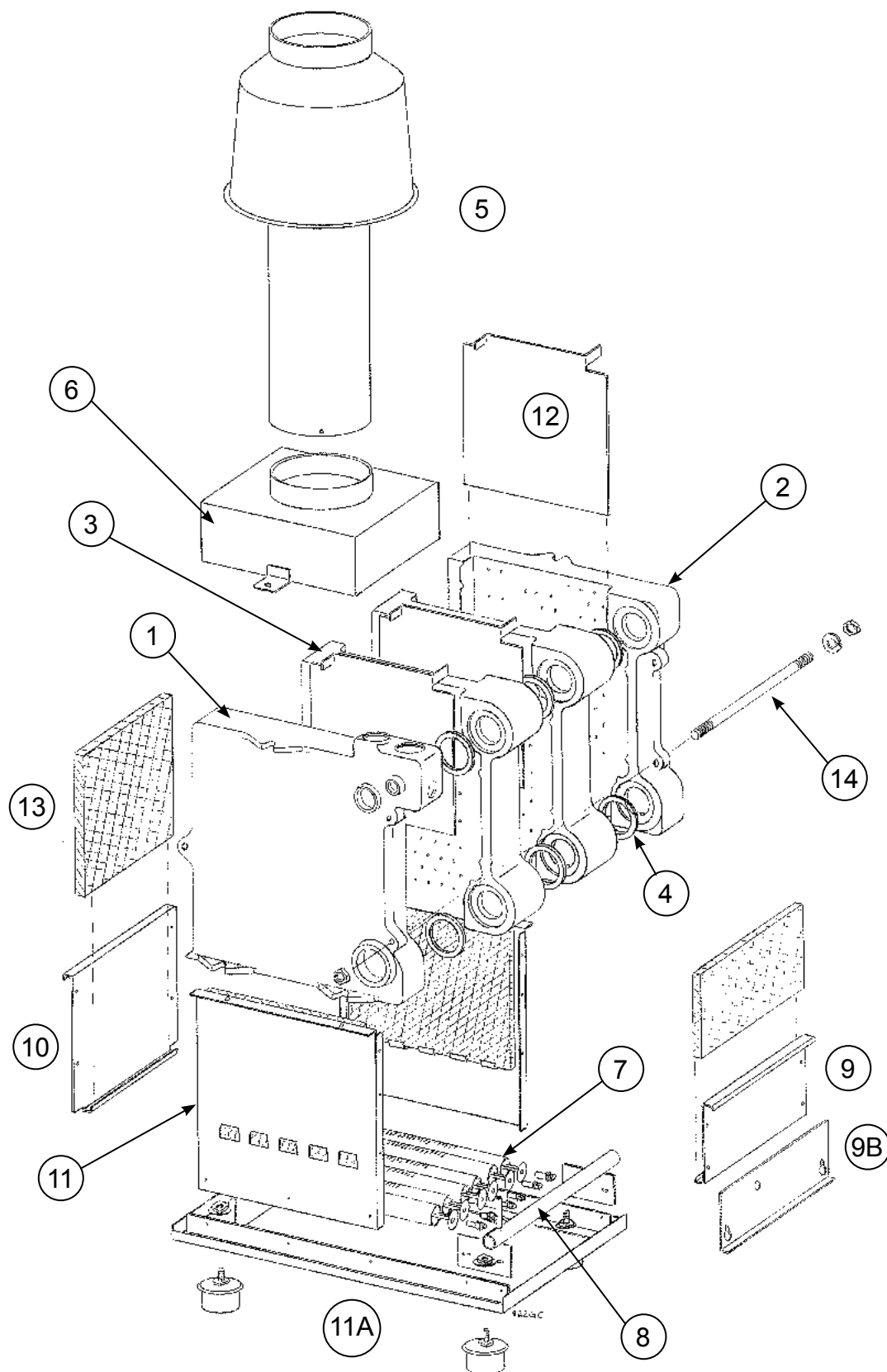


Fig. No.	Part No.	Description
1	422-200-137	Interior Control Panel Less Controls
2	382-200-448	Gold Module Conversion Kit (Includes: UT module 1013-200)
3	511-842-370	24 volt Step Down Transformer, 40 VA
4	511-624-520	Air Pressure Switch (0-5500' Elevation)
	382-200-317	Air Pressure Switch (5,500 - 10,000 Elevation) High Altitude
	511-624-521	
N/S	591-391-891	Wiring Harness, Control Module to Junction Box
	591-391-819	Wiring Harness, Control Module to Hot Surface Ignitor
	591-391-824	Wiring Harness, Control Module to System And By-Pass Circulators
	591-391-919	Wiring Harness 9 Pin Connector - Control Module To T-Stat, 19-21 VDC Gas Valve, Limit, Pressure, and Block Limit Switches. Used With Honeywell VK8115V-1176 Gas Valve Only, For Series 4
	591-391-820	Wiring Harness 9 Pin Connector - Control Module To T-Stat, 24 Volt Gas Valve, Limit, Pressure, and Block Limit Switches. Used With White Rodgers or Robertshaw Gas Valves Only, Series 3

# NOTES

# CG/CGM - Series 1 Through 12 Section / Base Assembly





## CG/CGM - Series 1 Through 12 Section / Base Assembly Parts

Fig. No.	Part No.	Description	Series No.
1	311-103-851	Left Hand End Section 51124	9-12
2	311-103-821	Right Hand End Section 51128	9-12
3	311-103-818	Intermediate Section 51125	9-12
N/S	321-114-286	Section Assembly: CGM, P-CG(m) 25,3	9-12
	321-114-287	Section Assembly: CGM, P-CG(m) 4	9-12
	321-114-288	Section Assembly: CGM, P-CG(m) 5	9-12
	321-114-289	Section Assembly: CGM, P-CG(m) 6	9-12
	321-114-290	Section Assembly: CGM, P-CG(m) 7	9-12
	321-114-291	Section Assembly: CGM, P-CG(m) 8	9-12
	381-354-527	Section Replacement Kit (One Per Joint)	9-12
4	592-800-011	Square Cut Seal 2"	8-12
N/S	591-602-913	Retort Cement – 1 Quart	All
	591-608-915	Retort Cement - Tube - 11oz	All
	591-638-850	Silicone Sealant – RTV 700, 10.3 oz. Tube	8-12
	591-706-214	Flue-Way Brush	All
	381-354-523	Well For Limit Control	9-12
5	450-021-240	Vertical Draft Hood CG(m)-25	9-12
	450-021-241	Vertical Draft Hood CG(m)-3	9-12
	450-021-242	Vertical Draft Hood CG(m)-4	9-12
	450-021-243	Vertical Draft Hood CG(m)-5	9-12
	450-021-244	Vertical Draft Hood CG(m)-6	9-12
	450-021-245	Vertical Draft Hood CG(m)-7	9-12
	450-021-246	Vertical Draft Hood CG(m)-8	9-12
6	381-354-625	Collector Hood Replacement Kit, CG 25	11-12
	381-354-626	Collector Hood Replacement Kit, CG 3	9-12
	381-354-627	Collector Hood Replacement Kit, CG 4	9-12
	381-354-628	Collector Hood Replacement Kit, CG 5	9-12
	381-354-629	Collector Hood Replacement Kit, CG 6	9-12
	381-354-630	Collector Hood Replacement Kit, CG 7	9-12
	381-354-631	Collector Hood Replacement Kit, CG 8	9-12
N/S	560-528-989	Natural Gas Orifice 46 Drill 7/16" Hex, 1/8" N.P.T.	5-8
	560-528-990	LP Gas Orifice 56 Drill 7/16" Hex, 1/8" N.P.T.	5-8
	560-528-997	Natural Gas Orifice 2.0mm Drill, 7/16" Hex, 1/8" N.P.T.	9-12
	560-528-998	LP Gas Orifice 1.3mm Drill, 7/16" Hex, 1/8" N.P.T.	9-12
7	512-200-078	Stainless Steel Burner With Pilot Bracket, See Note 1	5-8
	512-200-077	Stainless Steel Regular Burner, See Note 1	5-12
	512-200-078	Steel Pilot Burner With Pilot Bracket, L/P-Standing Pilot, and PI Versions Only, See Note 1	9-12
	512-200-079	Steel Regular Burner With Pilot Bracket, SPN Version Only, See Note 1	9-12

CG/CGM - Series 1 Through 12  
Section / Base Assembly Parts Continued

Fig. No.	Part No.	Description	Series No.
N/S	450-003-742	Base Burner Rest CG(m)-25	8-12
	450-003-736	Base Burner Rest CG(m)-3	8-12
	450-003-737	Base Burner Rest CG(m)-4	8-12
	450-003-738	Base Burner Rest CG(m)-5	8-12
	450-003-739	Base Burner Rest CG(m)-6	8-12
	450-003-740	Base Burner Rest CG(m)-7	8-12
	450-003-741	Base Burner Rest CG(m)-8	8-12
8	591-126-615	Manifold CG(m)-25	7-12
	591-126-616	Manifold CG(m)-3	7-12
	591-126-617	Manifold CG(m)-4	7-12
	591-126-618	Manifold CG(m)-5	7-12
	591-126-619	Manifold CG(m)-6	7-12
	591-126-556	Manifold CG(m)-7	7-12
	591-126-557	Manifold CG(m)-9	7-12
9	460-003-777	Base Front Cross Tie CG(m)-25, 3	4-12
	460-003-778	Base Front Cross Tie CG(m)-4	4-12
	460-003-779	Base Front Cross Tie CG(m)-5	4-12
	460-003-780	Base Front Cross Tie CG(m)-6	4-12
	460-003-781	Base Front Cross Tie CG(m)-7	4-12
	460-003-782	Base Front Cross Tie CG(m)-8	4-12
9B	460-003-741	Base Access Panel CG(m)-25, 3	4-12
	460-003-742	Base Access Panel CG(m)-4	4-12
	460-003-743	Base Access Panel CG(m)-5	4-12
	460-003-744	Base Access Panel CG(m)-6	4-12
	460-003-745	Base Access Panel CG(m)-7	4-12
	460-003-746	Base Access Panel CG(m)-8	4-12
10	460-003-701	Base Back Cross Tie CG(m)-25, 3	4-12
	460-003-702	Base Back Cross Tie CG(m)-4	4-12
	460-003-703	Base Back Cross Tie CG(m)-5	4-12
	460-003-704	Base Back Cross Tie CG(m)-6	4-12
	460-003-705	Base Back Cross Tie CG(m)-7	4-12
	460-003-706	Base Back Cross Tie CG(m)-8	4-12
11	460-003-710	Base Side Panel	4-12
N/S	381-354-355	Base Replacement Carton CG9(m)-25	4-12
	381-354-356	Base Replacement Carton CG(m)-3	1-12
	381-354-357	Base Replacement Carton CG(m)-4	1-12
	381-354-358	Base Replacement Carton CG(m)-5	1-12
	381-354-359	Base Replacement Carton CG(m)-6	1-12
	381-354-360	Base Replacement Carton CG(m)-7	1-12
	381-354-361	Base Replacement Carton CG(m)-8	4-12
	450-030-971	Base Pan Angle - Universal Right or Left	8-12

## CG/CGM - Series 1 Through 12 Section / Base Assembly Parts Continued

Fig. No.	Part No.	Description	Series No.
11A	450-003-730	Base Pan CG(m)-25, 3	8-12
	450-003-731	Base Pan CG(m)-4	8-12
	450-003-732	Base Pan CG(m)-5	8-12
	450-003-733	Base Pan CG(m)-6	8-12
	450-003-734	Base Pan CG(m)-7	8-12
	450-003-735	Base Pan CG(m)-8	8-12
12	460-003-700	Radiation Plate with Horizontal Bends (1 Per Joint)	7-12
13	381-354-518	Base Replacement Insulation Carton CG(m) 25-5	4-12
	381-354-519	Base Replacement Insulation Carton CG(m) 6-9	4-12
N/S	590-424-252	Base Leg Assembly 1½" Gray (4 Per Boiler)	8-12
14	560-234-500	7/16" X 9" Tie Rod Without Nut (3 Per Boiler) CG(m)-25, 3	8-12
	560-234-501	7/16" X 12" Tie Rod Without Nut (3 Per Boiler) CG(m)-4	8-12
	560-234-502	7/16" X 15" Tie Rod Without Nut (3 Per Boiler) CG(m)-5	8-12
	560-234-503	7/16" X 18" Tie Rod Without Nut (3 Per Boiler) CG(m)-6	8-12
	560-234-504	7/16" X 21" Tie Rod Without Nut (3 Per Boiler) CG(m)-7	8-12
	560-234-505	7/16" X 24" Tie Rod Without Nut (3 Per Boiler) CG(m)-8	8-12
N/S	562-248-684	7/16" Washer Medium Plain Split Lock	8-12
	592-002-030	Touch Up Paint- Blue/Gray -Low E 4.5oz Can	

**Notes:**

**Order sufficient quantities to replace all orifices within a base.**

**Number of burners:**

**CG/CGm-25: 2 main burners and 1 burner with pilot bracket**

**CG/CGm-3: 3 main burners and 1 burner with pilot bracket**

**CG/CGm-4: 5 main burners and 1 burner with pilot bracket**

**CG/CGm-5: 7 main burners and 1 burner with pilot bracket**

**CG/CGm-6: 9 main burners and 1 burner with pilot bracket**

**CG/CGm-7: 11 main burners and 1 burner with pilot bracket**

**CG/CGm-8: 13 main burners and 1 burner with pilot bracket**

## CG/CGM - Series 9 & 10 Standing Pilot Parts

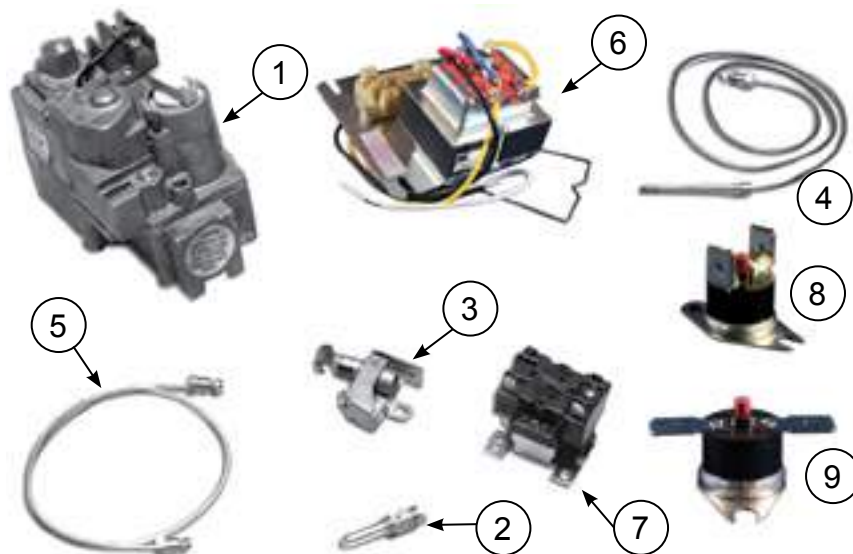


Fig. No.	Part No.	Description	Boiler Size
<b>Components for Natural Gas</b>			
1	511-044-360	Combination Gas Valve, ½" X ½" N.P.T., 24 Volt	25 – 6
	511-044-256	Combination Gas Valve (Step Opening (1.2 step) ¾" X ¾" N.P.T., 24 Volt)	7 – 8
2	560-528-980	Natural Gas Pilot Orifice, .018 Dia.	All
<b>Components for Propane Gas</b>			
N/S	NA	Combination Gas Control Valve, ½" x ½" N.P.T., 24 Volt, Propane Gas, Need Regulator Below	25 – 6
		Propane Regulator For VR800A-1152	25 – 6
	NA	Combination Gas Control Valve, ¾" x ¾" N.P.T., 24 Volt Propane Gas, Need Regulator Below, CG7 – CG8	7 – 8
		Propane Regulator For VR800C-1302	7 – 8
2	560-528-985	Propane Gas Pilot Orifice, .010 Dia.	All
<b>Components for Natural and Propane Gas</b>			
3	511-330-197	Safety Pilot Burner, Constant Burning, Thermally Supervised - Natural Gas Orifice Included - For L/P remove Natural Gas Orifice and Replace With L/P Gas Orifice.	All
4	511-724-253	Thermocouple, 48" Long	All
5	560-742-860	Pilot Tubing, ⅛" O.D. Alum. X 22 ¾" Long With Compression Fittings	All
6	510-312-166	Combination Transformer-Relay Receptacle, 120/24 Volt, 40VA	All
			All
			All
7	510-350-223	Plug-In Relay, DPST, 24 Volt Holding Coil	All
6,7	510-312-167	Combination Transformer and DPST Relay, 120/24 Volt, 40 VA	All
			All

## CG/CGM - Series 9 & 10 Standing Pilot Parts

Fig. No.	Part No.	Description	Boiler Size
N/S	512-050-230	Rollout Thermal Fuse Element, 228°C	All
			All
8	510-300-013	Spill Switch With Reset, 210°C	CG(m) 25
9	510-300-014	Spill Switch With Reset, 240° C	CG(m) 3-8
<b>Standing Pilot Conversion Kits</b>			
<b>These Kits Will Retrofit CG/CGM - Series 4 Thru 12</b>			
N/S	510-811-363	Conversion Kit: Natural To Propane CGa 7-8 (Standing Pilot Only)	
	510-811-356	Conversion Kit: Propane To Natural CGa 25-6 (Standing Pilot Only)	
	510-811-357	Conversion Kit: Propane To Natural CGa 7-8 (Standing Pilot Only)	
	510-811-362	Conversion Kit: Natural To Propane CGa 25-6 (Standing Pilot Only)	

## CG/CGM - Series 7 Through 10 Spark Ignition Parts

Part No.	Description	Boiler Size
<b>Spark Ignition Parts Cannot Be Used With Propane Gas</b>		
510-811-458	Conversion Kit (Includes: ½" Gas Valve, Pilot Assembly with Sparker and Sensor. United Technology Control Module, Wiring and Instructions)	25-6
510-811-459	Conversion Kit (Includes: ¾" Gas Valve, Pilot Assembly with Sparker and Sensor. United Technology Control Module, Wiring and Instructions)	7-8
<b>Johnson G60 Pilot Assembly Repair Parts</b>		
511-330-163	Pilot Assembly, Natural Gas, Includes Sparker and Sensor and Wires	All
511-724-264	Flame Sensor For Above Pilot Assembly	All
511-724-270	Sensor Wire For Above Pilot Assembly	All
<b>Common Control Parts for Series 7 - 10</b>		
510-312-250	High Limit Temperature Control, Auto Recycle, 140-240° F, 30° Fixed Subtractive Differential, With ½" N.P.T Well	All
510-312-166	Combination Transformer-Relay Receptacle, 120/24 Volt, 40VA	All
510-350-223	Plug-In Relay, DPST, 24 Volt Holding Coil	All
510-312-167	Combination Transformer and DPST Relay, 120/24 Volt, 40 VA	All
512-050-230	Rollout Thermal Fuse Element, 228° C	All
510-300-013	Spill Switch with Reset, 210° F	CG(m) 25
510-300-014	Spill Switch with Reset, 240° F	CG(m) 3-8

## CG/CGM- Series 10 Millivolt Parts

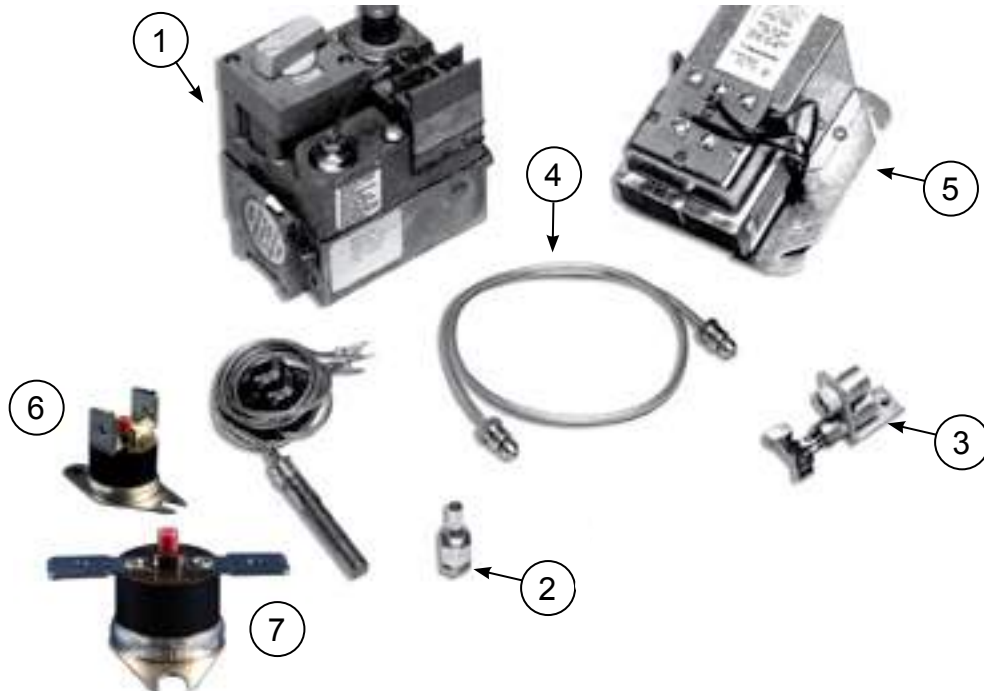


Fig. No.	Part No.	Description	Boiler Size
<b>Components for Natural Gas</b>			
1	N/A	Combination Gas Valve, ½" X ½" N.P.T., Milli-Volt	25 – 6
2	560-528-950	Natural Gas Pilot Orifice, .026 Dia.	All
<b>Components for Propane Gas</b>			
1	NA	Combination Gas Control Valve, ½" x ½" N.P.T., 24 Volt, Propane Gas, Need Regulator Below	25 – 6
	NA	Combination Gas Control Valve (¾" x ¾" N.P.T., Milli-Volt, Step Opening With 3.0 Step, Need Propane Regulator Below)	7 – 8
	NA	Propane Regulator	7-8I
<b>Components for Natural and Propane Gas</b>			
3	511-330-186	Safety Pilot Burner, Constant Burning, Thermally Supervised	All
4	560-742-860	Pilot Tubing, ⅛" O.D. Alum. X 22 ¾" Long With Compression Fittings	All
5	510-312-167	Combination Transformer and DPST Relay, 120/24 Volt, 40 VA	All
N/S	512-050-230	Rollout Thermal Fuse Element, 228°C	All
			All
6	510-300-013	Spill Switch with Reset, 210°C	25
7	510-300-014	Spill Switch with Reset, 240°C	3-8



## CG/CGM - Series 10 Water Trim Parts



Fig. No.	Part No.	Description
1	510-312-250	High Limit Temperature Control, Auto Recycle, 140-240°F Fixed Subtractive Differential With ½" N.P.T. Well
2	383-500-095	ASME Pressure Relief Valve, Set To Relieve At 30 PSIG, ¾" N.P.T. Male Inlet
3	380-000-000	Combination Pressure-Temperature Gauge, 3" Dia., 0-75 PSIG, 60-320°F, Short Shank, Back Connection, ¼" N.P.T.
4	511-210-423	Drain Valve, ¾" N.P.T., 1½" Shank, Brass
5	511-405-113	Circulator, 1/25 HP, 120/60/1 Motor, 1,750 R.P.M., .75 Amps
	511-405-115	Circulator, 1/12 HP, 120/60/1 Motor, 1,750 R.P.M.
6	590-317-543	Circulator Gasket for Taco 007, (Two Required Per Circulator)
	590-317-542	Circulator Gasket for B & G 100, (Two Required Per Circulator)
7	381-354-530	Circulator Hardware Kit (Includes: 1 Flange, 2 Bolts, 2 Nuts, Diamond Gasket, ¾" N.P.T.)
	381-354-525	Circulator Hardware Kit (Includes: 1 Flange, 2 Bolts, 2 Nuts, Diamond Gasket, 1" N.P.T.)
	381-354-526	Circulator Hardware Kit (Includes: 1 Flange, 2 Bolts, 2 Nuts, Diamond Gasket, 1¼" N.P.T.)
	381-354-531	Circulator Hardware Kit (Includes: 1 Flange, 2 Bolts, 2 Nuts, Diamond Gasket, 1½" N.P.T.)
8	510-632-088	Fill-Trol Diaphragm Expansion Tank with O-ring and Machine Thread Connector to Fill Valve, Tank Only
	510-632-089	Fill-Trol Diaphragm Expansion Tank with O-ring and Machine Thread Connector to Fill Valve, Tank Only
N/S	511-210-434	Fill Valve Angle Style-90 with Built-in Strainer, Pressure Reducer, Check Valve Requires User Provided Shut-Off Valve



## CG/CGM - Series 11 & 12 Spark Ignition Parts

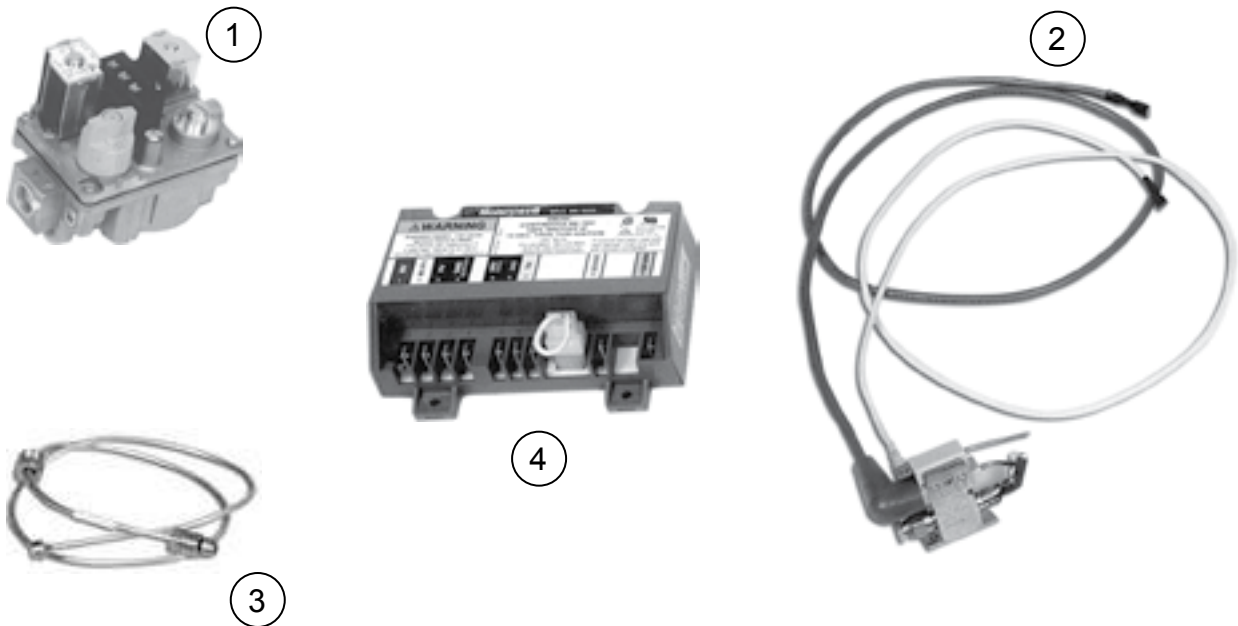


Fig. No.	Part No.	Description
<b>Spark Ignition Cannot Be Used With Propane Gas</b>		
1	511-044-381	Combination Gas Valve, ½" x ½" N.P.T., 24 Volt CG-25 to CG-6
	511-044-382	Combination Gas Valve (Step Opening (1.2" WC Step) ¾" x ¾" N.P.T., 24 Volt, CG-7,8)
2	511-330-218	Pilot Assembly Kit (includes: Orifice, Aluminum Pilot Gas Tubing, Spark Wire and Sense Wire)
3	560-742-860	Pilot tubing, ⅛" O.D. x 22 ¾", With Fittings
4	511-330-097	Ignition Sensing Control Module Without Damper Molex, 24 Volt, Series-12 Only
N/S	591-391-863	Wiring Harness, PIDN, Series-12 Only
4	511-330-095	Ignition Sensing Control Module With Damper Molex, 24 volt, Series-11 Only
<b>Series 6 Thru 10 Boilers</b>		
White-Rodgers Cycle Pilot Ignition Systems and Johnson Control Ignition Systems are obsolete and replaced by the following conversion kits:		
N/S	510-811-458	Spark Pilot Conversion Kit (Includes: UT Control Module, ½" Gas Valve, Pilot Assembly, Wiring and Instructions) Natural Gas Only CG 25-6
	510-811-459	Spark Pilot Conversion Kit (Includes: UT Control Module, ¾" Gas Valve, Pilot Assembly, Wiring and Instructions) Natural Gas Only CG 7-8

**Note:** There is no Wiring Harness for series 11 boilers. Boiler had individual wires.

# CG/CGM - Series 11 & 12 Water / Electrical



## CG/CGM - Series 11 & 12 Water / Electrical Parts

Fig. No.	Part No.	Description
1	510-312-250	High Limit Temperature Control, Auto Recycle, 140-240°F Fixed Subtractive Differential With ½" N.P.T. Well
2	383-500-095	ASME Pressure Relief Valve, Set To Relieve at 30 PSIG, ¾" N.P.T. Male inlet
3	380-000-000	Combination Pressure-Temperature Gauge, 3" Dia., 0-75 PSIG, 60-320°F, Short Shank, Back Connection, ¼" N.P.T.
4	511-210-423	Drain Valve, ¾" N.P.T., 1½" Shank, Brass
5	511-405-113	Circulator, 1/25 HP, 120/60/1 Motor, 1,750 R.P.M., .75 Amps
	511-405-115	Circulator, 1/12 HP, 120/60/1 Motor, 1,750 R.P.M.
6	590-317-543	Circulator Gasket for Taco 007, (Two Required Per Circulator)
	590-317-542	Circulator Gasket for B & G 100, (Two Required Per Circulator)
6,7	381-354-530	Circulator Hardware Kit (Includes: 1 Flange, 2 Bolts, 2 Nuts, Diamond Gasket, ¾" N.P.T.)
	381-354-525	Circulator Hardware Kit (Includes: 1 Flange, 2 Bolts, 2 Nuts, Diamond Gasket, 1" N.P.T.)
	381-354-526	Circulator Hardware Kit (Includes: 1 flange, 2 bolts, 2 nuts, Diamond gasket, 1¼" N.P.T.)
	381-354-531	Circulator Hardware Kit (Includes: 1 Flange, 2 Bolts, 2 Nuts, Diamond Gasket, 1½" N.P.T.)
8	591-391-795	Damper Wiring Harness with Molex
N/S	510-512-337	Vent Damper Motor Operator with Molex
9	381-800-474	Vent Damper Assembly, 4", CG-25, 3
	381-800-475	Vent Damper Assembly, 5", CG-4
	381-800-476	Vent Damper Assembly, 6", CG-5, 6
	381-800-477	Vent Damper Assembly, 7", CG-7, 8
10	510-312-166	Combination Transformer and Relay Receptacle (Relay Ordered Separately) 120/24 Volt, 40VA
11	510-350-223	Plug-In Relay, DPST, with 24 Volt Holding Coil
10,11	510-312-167	Combination Transformer and DPST Relay, 120/24 Volt, 40 VA
12	512-050-230	Rollout Thermal Fuse, 228°C
13	510-300-013	Spill Switch with Manual Reset, 210°F CG-25 Only
	510-300-014	Spill Switch with Manual Reset, 240°F CG-3 Thru 8

CG/CGM - Series 11 & 12  
Water / Electrical Parts Continued

Fig. No.	Part No.	Description
14	510-632-088	Fill-Trol Diaphragm Expansion Tank with O-ring and Machine Thread Connector to Fill Valve, Tank Only
	510-632-089	Fill-Trol Diaphragm Expansion Tank with O-ring and Machine Thread Connector to Fill Valve, Tank Only
N/S	511-210-434	Fill Valve Angle Style-90 with Built-in Strainer, Pressure Reducer, Check Valve Requires User Provided Shut-Off Valve

## CG/CGM - Series 11 & 12 Standing Pilot Parts

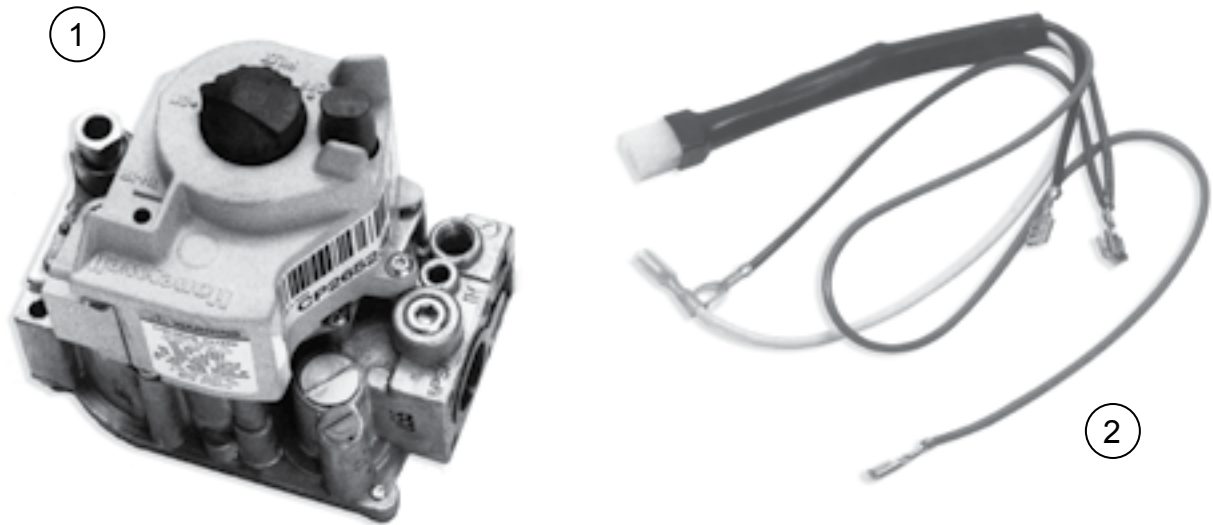


Fig. No.	Part No.	Description	Boiler Size
<b>Components for Natural Gas</b>			
1	511-044-360	Combination Gas Valve, 1/2" X 1/2" N.P.T., 24 Volt	25 – 6
	511-044-256	Combination Gas Valve (Step Opening (1.2 Step) 3/4" X 3/4" N.P.T., 24 Volt)	7 – 8
	510-811-644	Natural Gas Pilot Replacement Kit (Includes: Main Burner with Pilot Bracket, Pilot Burner, Thermocouple)	All
	511-724-254	Thermo-couple 30", Screw In (Natural Gas)	
<b>Components for Propane Gas</b>			
1	381-356-534	Combination Gas Valve, 1/2" x 1/2" N.P.T., 24 Volt	25 – 6 25 – 6
	511-044-257	Combination Gas Control Valve, 3/4" x 3/4" N.P.T., 24 Volt	7 – 8
	510-811-646	LP Gas Pilot Replacement Kit (Includes: Main Burner with Pilot Bracket, Pilot Burner, Thermocouple)	E38A2
	511-724-253	Thermo-couple 48", Push In (Propane Gas)	
<b>Components for Natural and Propane Gas</b>			
N/S	591-391-862	Wiring Harness ( <b>Series-12 Only</b> )	
	560-742-860	Pilot Tubing, 1/8" O.D. Alum. X 22 3/4" Long With Compression Fittings	All
	510-811-648	Pilot Regulator Kit (Includes: Maxitrol RV-12 Regulator, Tubing and Fittings)	25-3
2	591-391-780	Wiring Harness for Standing Pilot Damper-( <b>Series 12 Only</b> )	

### CGs Section Assembly Parts

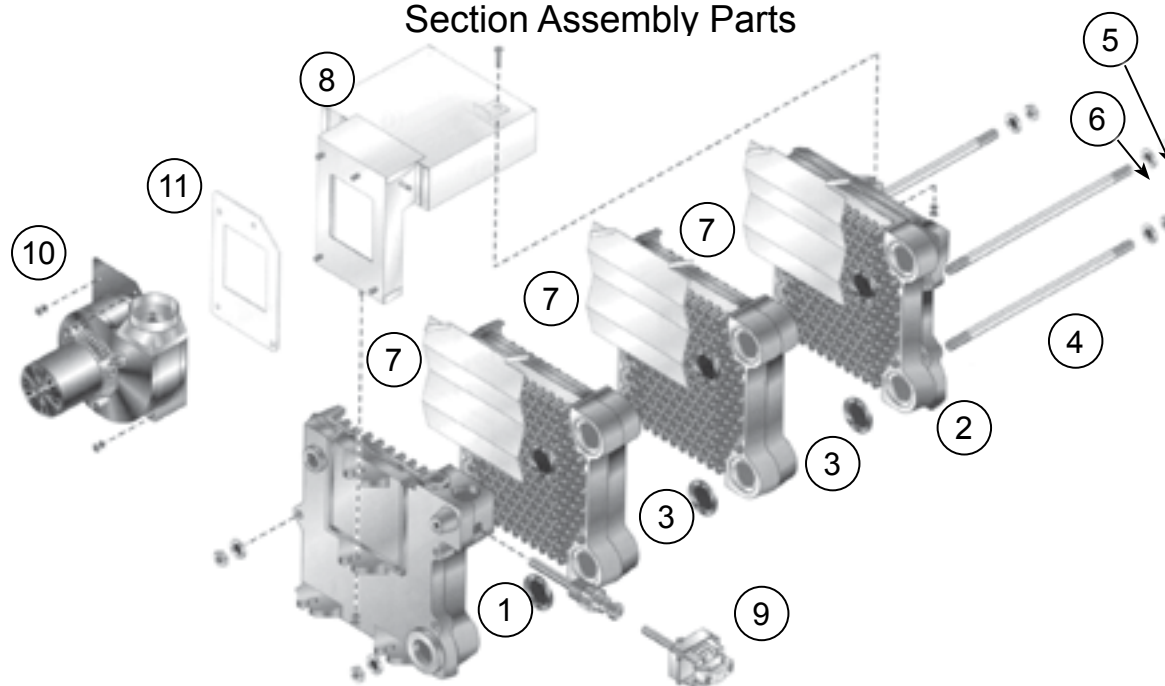


Fig. No.	Part No.	Description	Boiler Size
1	311-103-850	End Section, Left Hand, Cast #51124	All
2	311-103-821	End Section, Right Hand, Cast #51128	All
3	311-103-818	Intermediate Section, Cast #51128	All
N/S	321-114-286	Replacement Section Assembly	3
	321-114-287		4
	321-114-288		5
	321-114-289		6
		381-354-527	Section Replacement Kit (Includes: Seals and Sealant For (1) Joint)
4	560-234-500	Tie Rod, 7/16" X 9" Without Nut (3 Per Boiler)	3
	560-234-501	Tie Rod, 7/16" X 12" Without Nut (3 Per Boiler)	4
	560-234-502	Tie Rod, 7/16" X 15" Without Nut (3 Per Boiler)	5
	560-234-503	Tie Rod, 7/16" X 18" Without Nut (3 Per Boiler)	6
5	561-928-235	Nut, 7/16" (2 Per Tie Rod)	All
6	562-248-684	Washer, Lock 7/16" (1 Per Tie Rod)	All
7	460-003-700	Radiation Plate (1 Per Joint)	All
8	381-354-590	Collector Hood And Transition Assembly	3
	381-354-591		4/4E
	381-354-592		5
	381-354-593		6
9	510-312-250	High Limit 30° Subtractive Differential With Well	All
10	381-356-499	Inducer Fan Assembly Kit (Includes: Inducer, Fan Assembly, Gasket And Nuts)	All
11	590-317-627	Gasket, Inducer Terminator	All
N/S	382-200-430	Vent/Air-Intake Kit (Includes: Intake/Exhaust Cap, Coupling, Mounting & Backing Plate And Hardware)	All

## CGs Base Assembly Parts

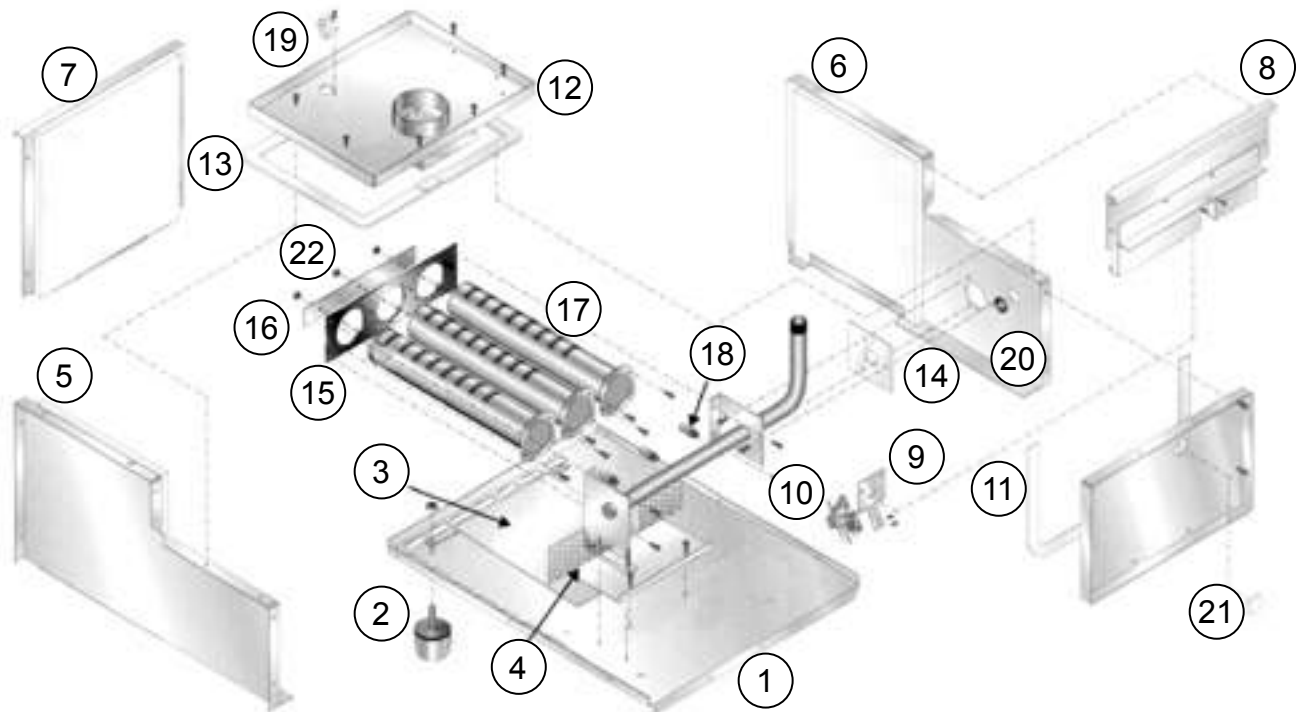


Fig. No.	Part No.	Description	Boiler Size
N/S	381-356-515	Base Insulation Kit (Includes: Insulation For All Base Parts Plus Gasket Material Needed Between Block Assembly and Base)	3
	381-356-516		4
	381-356-517		5
	381-356-518		6
	381-356-523	Base Assembly Kit (Includes: 1, 2, 3, 4, 5, 6, 7, 8, 11, 13 plus Insulation Air Box and Hard Wires)	4
	381-356-524		5
	381-356-525		6
	381-356-502	Inlet Air Box Top Panel Kit (Includes: Inlet Air Box Top Panel and Inlet Air Box Top Panel Gasket)	4
	381-356-504		6
	381-356-508	Inlet Air Box Front Panel Kit (Includes: Inlet Air Box Front Panel and Inlet Air Box Front Panel Gasket)	3
	381-356-511		4
			6
1	N/A	Base Pan (in Base Assembly)	All
2	550-320-219	Boiler Leg Kit	All
3	N/A	Heat Shield (in Base Assembly)	All
4	N/A	Burner Baffle (in Base Assembly)	All
Fig. No.	Part No.	Description	Boiler Size
5	N/A	Base Left Side Panel (in Base Assembly)	All
6	N/A	Base Right Side Panel (in Base Assembly)	All
7	N/A	Base Back Panel (in Base Assembly)	All



## CGs

### Base Assembly Parts Continued

8	N/A	Base Front Cross-Tie Assembly	All
9	450-003-689	Pilot Bracket	All
10	511-330-080	Pilot Burner Assembly – Natural Gas (Pilot Bracket Sold Separate)	All
	511-330-081	Pilot Burner Assembly - LP Gas (Pilot Bracket Sold Separate)	All
N/S	N/A	Inlet Air Box Front Panel (In Inlet Air Box Front Panel Kit)	All
11	N/A	Inlet Air Box Front Panel Gasket (Use Air Inlet Box Gasket)	All
12	N/A	Inlet Air Box Top Panel (In Inlet Air Box Top Panel Kit)	All
13	N/A	Inlet Air Box Top Panel Gasket (Use Air Inlet Box Gasket)	All
N/S	590-317-399	Air Inlet Box Gasket (8' Long, Must Be Cut To Length)	All
	591-126-722	Manifold	3
	591-126-723		4
	591-126-724		5
	591-126-725		6
14	590-317-406	Manifold Mounting Gasket	All
15	450-003-690	Burner Mounting Panel	3
	450-003-691		4
	450-003-692		5
	450-003-693		6
16	550-320-160	Rear Spacer Strip	3
	550-320-161		4
	550-320-162		5
	550-320-163		6
17	512-200-076	Burner	All
18	560-529-077	Burner Orifice – Natural Gas, Sea Level 2.7mm	2-6
	560-529-078	Burner Orifice – LP Gas, Sea Level 1.65mm	2-6
	560-529-126	Burner Orifice - Natural Gas, Sea Level 2.55mm	4E
	560-529-111	Burner Orifice - LP Gas, Sea Level 1.60mm	4E
19	512-050-230	Thermal Fuse Element, 229°C	All
20	591-850-064	Grommet (For Sealing Pilot Tubing/Wiring Opening To Combustion Air Box)	All
21	591-491-216	Inspection Port Clear Plug	All
22	Purchase Locally	HEX Nut For Burner End Stud (5mm)	

**Number of burners:**
**CGs-3: 2 burners**
**CGs-4: 3 burners**
**CGs-5: 4 burners**
**CGs-6: 5 burners**



## CGs Water Trim Parts

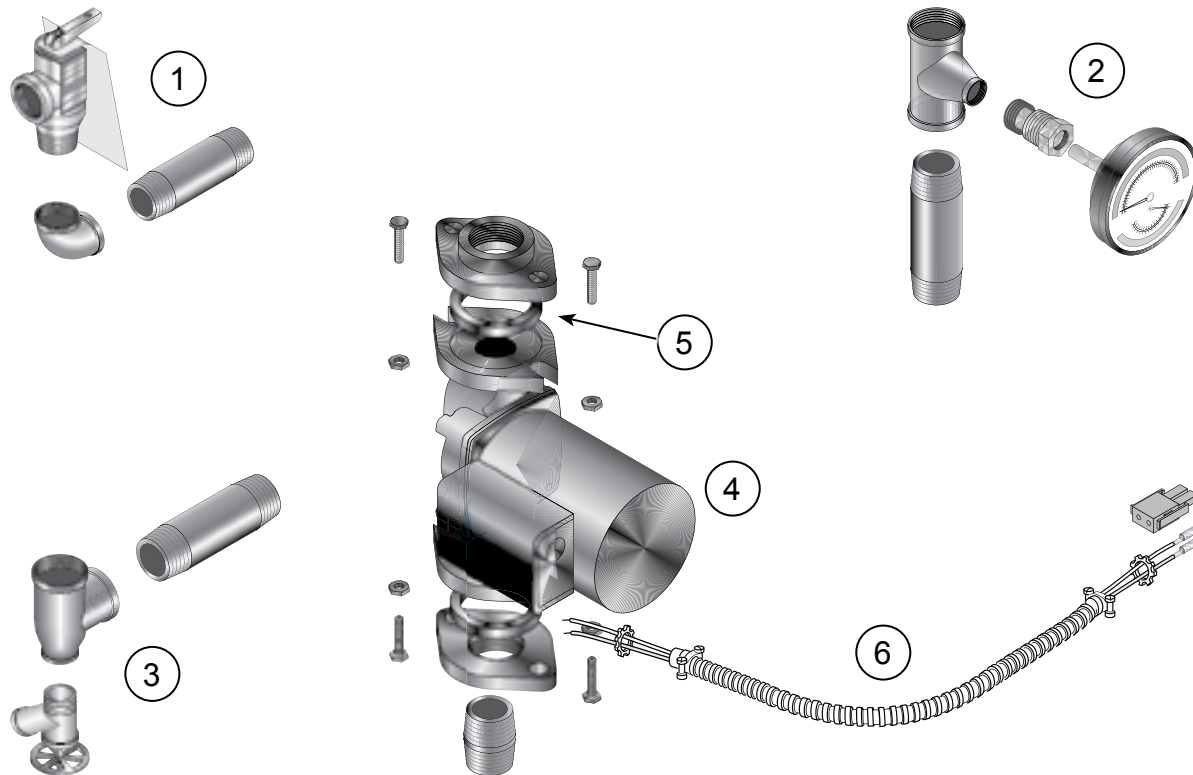


Fig. No.	Part No.	Description	Boiler Size
1	383-500-095	Pressure Relief Valve, ASME, 30 PSIG, 3/4" Male Inlet*	All
2	380-000-000	Combination Pressure-Temperature Gauge Kit, 60°-360°F 0-75 PSI, 3/8" Dia., 1/4" N.P.T., Short Shank With 1/4" x 1/2" Reducing Bushing	All
3	511-210-423	Drain Valve 3/4"	All
	511-246-392	Drain Valve 3/4"	All
4	511-405-113	Circulator*	All
5	590-317-535	Circulator Gasket, Universal (2 Per Boiler)	All
N/S	381-354-525	Circulator Hardware Kit (Includes: (1) Flange, (1) Gasket, (2) Nuts, (2) Screws) 1" N.P.T.)	3, 4, 5
	381-354-526	Circulator Hardware Kit (Includes: (1) Flange, (1) Gasket, (2) Nuts, (2) Screws) 1 1/4" N.P.T.)	6
6	381-356-528	Circulator Wiring Harness Kit with Molex (Loose)	All

\* Pipe fittings available locally

## CGs Gas Control Parts



Fig. No.	Part No.	Description	Boiler Size
<b>Natural Gas Components</b>			
1	381-356-532	Gas Valve, ½" x ½" with Hose Barb (Replacement Kit)	3, 4, 5, 6
	511-044-507	Natural Gas Valve, ½" Two Stage	4E
2	511-330-080	Pilot Assembly Kit with Orifice and Aluminum Pilot Gas Tubing (Pilot Bracket Sold Separate)	All
<b>Propane Gas Components</b>			
1	381-356-533	Gas Valve, ½" x ½" with Hose Barb (Replacement Kit)	3, 4, 5, 6
	511-044-509	LP Gas Valve, ½" Two Stage	4E
2	511-330-081	Pilot Assembly Kit with Orifice and Aluminum Pilot Gas Tubing (Pilot Bracket Sold Separate)	All
<b>Natural Gas and Propane Components</b>			
N/S	450-003-689	Pilot Bracket	
3	511-330-090	Control Module With 10 Second Pre-Purge	All
	591-391-894	Wiring Harness Control	3-6
	591-391-900	Wiring Harness Junction Box To Control Module	All
N/S	591-391-951	Wiring Harness Controls	4E
	591-391-954	Timer Harness	4E
	510-350-468	Delay Timer - 24 Volt, 90 Second, Delay On Make	4E
4	511-624-401	Air Pressure Switch 0' to 1999', 1.79" W.C.	3
	511-624-402	Air Pressure Switch 0' to 1999', 1.48" W.C.	4
	511-624-403	Air Pressure Switch 0' to 1999', 1.22" W.C.	5
	511-624-404	Air Pressure Switch 0' to 1999', .95" W.C.	6
	511-624-656	Air Pressure Switch 1.71" W.C.	4E
5	511-842-370	24 volt Step Down Transformer, 40 VA	All
N/S	590-317-650	Air Pressure Switch Tubing, Red, .12 ID Silicone, 17"	All
	590-317-651	Air Pressure Switch Tubing, White, .12 ID Silicone, 19"	All
	510-811-096	Natural to LP Conversion Kit	3, 4, 5, 6
	510-811-125		4E
	510-811-097	LP to Natural Conversion Kit	3, 4, 5, 6
	510-811-099		4E

## CGs Jacket Assembly Parts

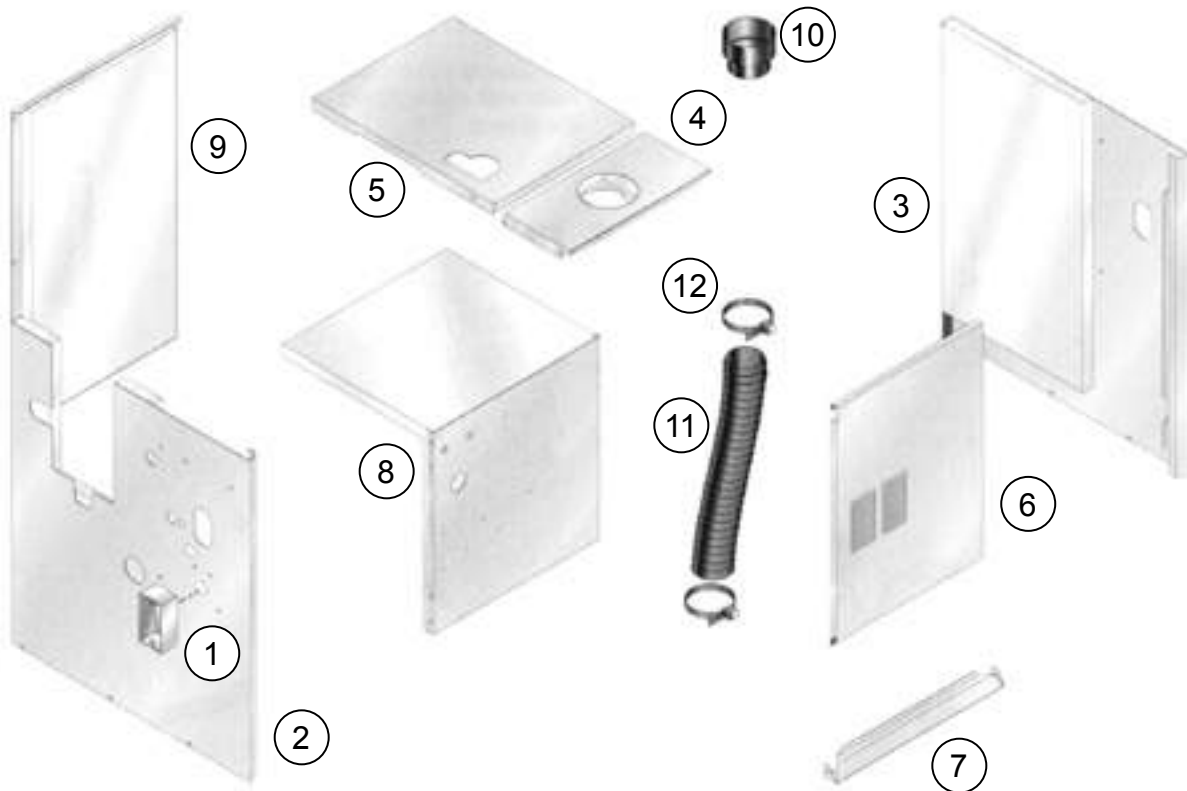


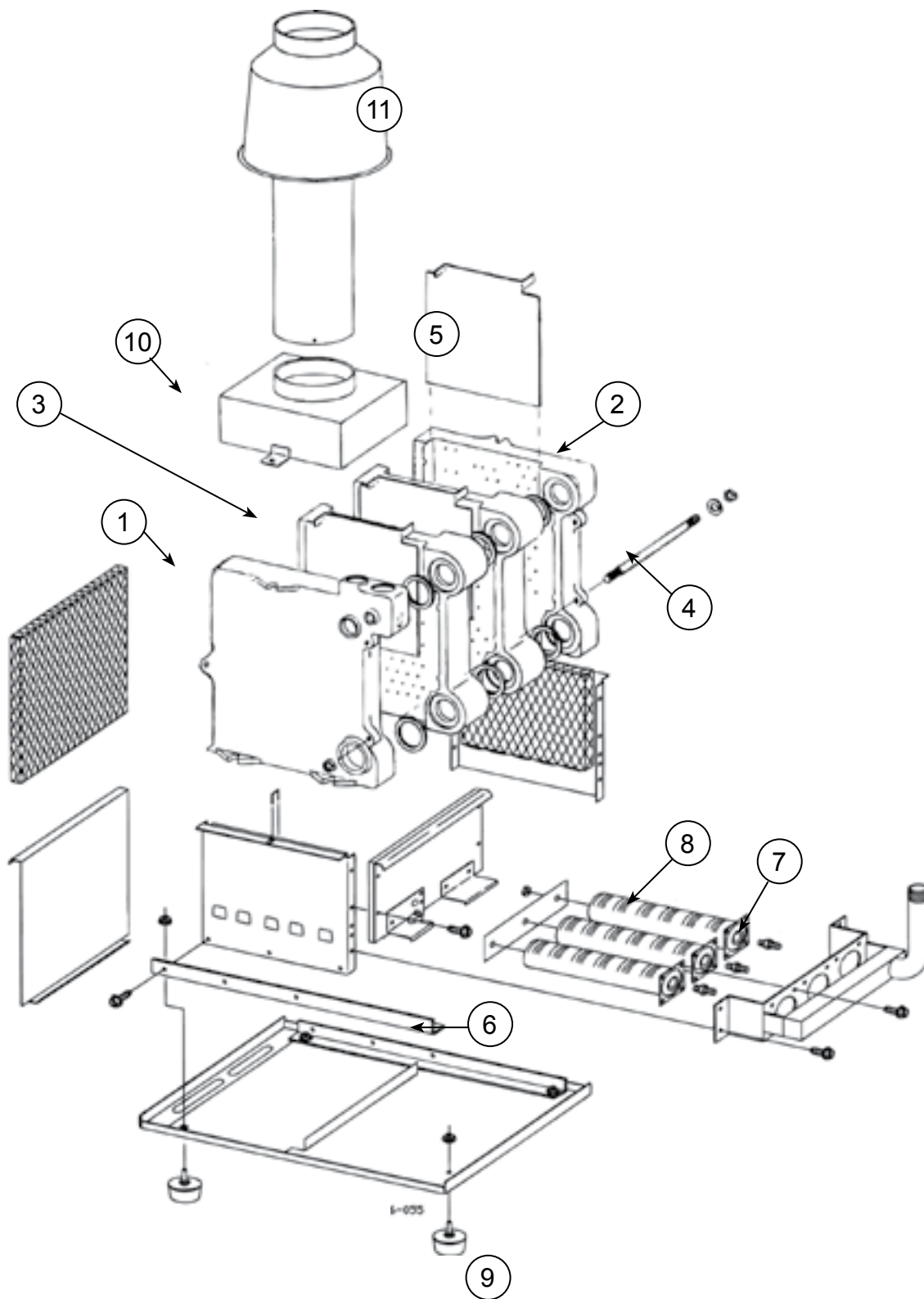
Fig. No.	Part No.	Description	Boiler Model
1	Available Locally	Junction Box, 2 x 4	CGs-3
			CGs-4
			CGs-5
			CGs-6
2	381-355-701	Panel, Left Side, With Insulation (Natural Gas)	CGs-3
	381-355-708		CGs-4
	381-355-815		CGs-5
	381-355-722		CGs-6
	381-355-794		4E
	381-355-735	Panel, Left Side, With Insulation (Propane Gas)	CGs-5
	381-355-738		CGs-6
3	381-355-760	Panel, Right Side, With Insulation	CGs-3
	381-355-793		CGs-4
	381-355-793	Panel, Right Side, With Insulation	CGs-5
			CGs-6

## CGs Jacket Assembly Parts Continued

4	431-223-345	Panel Top Front Jacket Size-3	13.33 x 6.22 x 1.41	CGs-3
	431-223-346	Panel Top Front Jacket Size-4	16.33 x 6.22 x 1.41	CGs-4
	431-223-347	Panel Top Front Jacket Size-5	19.33 x 6.22 x 1.41	CGs-5
	431-223-348	Panel Top Front Jacket Size-6	22.33 x 6.22 x 1.41	CGs-6
5	381-355-706	Panel, Top Rear, With Insulation		CGs-3
	381-355-713		CGs-4	
	381-355-720		CGs-5	
	381-355-727		CGs-6	
6	381-355-707	Panel, Door		CGs-3
	381-355-714		CGs-4	
	381-355-721		CGs-5	
	381-355-728		CGs-6	
	381-355-795		4E	
7	431-233-325	Cross Tie, Bottom Front		CGs-3
	431-223-326		CGs-4	
	431-223-327		CGs-5	
	431-223-328		CGs-6	
8	381-355-415	Panel, Interior, With Insulation		CGs-3
	381-355-422		CGs-4	
	381-355-429		CGs-5	
	381-355-436		CGs-6	
9	431-223-301	Panel, Rear, With Insulation		CGs-3
	431-223-302		CGs-4	
	431-223-303		CGs-5	
	431-223-304		CGs-6	
10	382-200-310	Air Inlet Fitting		All
11	562-302-573	Inlet Air Hose		All
12	591-850-068	Hose Clamp 3"		All
N/S	592-002-029	Touch-Up Paint - Gold - Low E	4.5oz Can	All

# NOTES

# CGx - Series 1 & 2 Section / Base Assembly



## CGx - Series 1 & 2 Section / Base Assembly Parts

Fig. No.	Part No.	Description	Model
1	311-103-851	Left Hand End Section, 51124	
2	311-103-821	Right Hand End Section, 51128	
3	311-103-818	Intermediate Section, 51125	
N/S	321-114-286	Replacement Section Assembly	CGx-3
	321-114-287		CGx-4
	321-114-288		CGx-5
	321-114-289		CGx-6
	381-354-527	Section Replacement Kit (Includes: Seals and Sealant For One Joint)	
4	560-234-500	7/16" Tie Rod Without Nut (3 Per Boiler)	CGx-3
	560-234-501		CGx-4
	560-234-502		CGx-5
	560-234-503		CGx-6
N/S	562-248-684	Washer Lock Helical Spring Regular 7/16 Zinc Plated	
5	460-003-700	Radiation Plate with Horizontal Bends, 1 Per Joint	
6	450-030-971	Base Pan Angle, Universal Fits Right Or Left	
7	560-529-058	Main Burner Orifice (35 Drill)	
8	550-320-152	Burner	
9	550-320-219	Boiler Leg Kit	
10	450-020-487	Collector Hood	CGx-3
	450-020-488		CGx-4
	450-020-489		CGx-5
	450-020-490		CGx-6
11	450-021-241	Vertical Draft Hood	CGx-3
	450-021-242		CGx-4
	450-021-243		CGx-5
	450-021-244		CGx-6
N/S	591-602-913	Retort Cement (One Quart)	
	592-002-030	Touch Up Paint - Blue/Gray - Low E 4.5oz Can	

**Note: Parts not listed above are obsolete. No Replacement.**

**Number of burners:**

**CGx-3: 2 burners**

**CGx-4: 3 burners**

**CGx-5: 4 burners**

**CGx-6: 5 burners**

## CGx - Series 1 & 2 Water Trim / Gas Control Parts



Fig. No.	Part No.	Description
<b>Notice: This Boiler Cannot Be Used For Propane Gas</b>		
1	511-044-381	Combination Gas Control Valve, ½" X ½" N.P.T., 24 Volt
2	511-330-218	Pilot Assembly Kit (Includes: Orifice, Aluminum Pilot Gas Tubing, Spark Wire and Sense Wire)
3	560-742-860	Pilot Tubing, ⅛" O.D. X 22¾" With Fittings
4	511-330-095	Ignition Sensing Control Module with Damper Molex, 24 Volt (Series 1)
	511-330-097	Ignition Sensing Control Module without Damper Molex, 24 Volt (Series 2)
5	510-312-250	High Limit Temperature Control, 30°F Fixed Subtractive Differential With ½" N.P.T. Well, Automatic Recycle, 140-240°F Range
6	383-500-095	Relief Valve (Male) 30 PSIG, ¾" N.P.T.
7	380-000-000	Combination Pressure-Temperature Gauge, 3" Dia., 0-75 PSIG, 60-320°F, Short Shank, Back Connection, ¼" N.P.T.
8	511-210-423	Drain Valve, ¾" N.P.T., 1½" Shank



## CGx - Series 1 & 2 Water Trim / Gas Control Parts Continued

9	511-405-113	Circulator, 1/25 HP, 120/60/1
	511-405-115	Circulator, 1/12 HP, 120/60/1
N/S	511-405-535	Circulator Gasket
10	381-354-525	Circulator Hardware Kit (Includes: 1 Flange, 2 Bolts, 2 Nuts, Diamond Gasket, 1" N.P.T.)
	381-354-526	Circulator Hardware Kit (Includes: 1 Flange, 2 Bolts, 2 Nuts, Diamond Gasket, 1¼" N.P.T.)
N/S	591-319-793	Wiring Harness Circulator
11	591-391-795	Vent Damper Wiring Harness
N/S	510-512-337	Vent Damper Motor Operator with Molex
12	381-800-474	Automatic Vent Damper Assembly, 4", CGx-3
	381-800-475	Automatic Vent Damper Assembly, 5", CGx-4
	381-800-476	Automatic Vent Damper Assembly, 6", CGx-5, 6
N/S	510-312-167	Combination Transformer and DPST Relay, 120/24 Volt, 40 VA
13	510-312-166	Combination Transformer-Relay Receptacle, 120/24 Volt, 40VA
N/S	510-350-223	Plug-In Relay, SPDT, with 24 Volt Holding Coil
14	512-050-230	Rollout Thermal Fuse, 228°C
15	510-300-014	Spill Switch with Manual Reset, 240°F CG-3 to 8
16	510-632-088	Fill-Trol Diaphragm Expansion Tank
	510-632-089	
N/S	511-210-434	Fill Valve Angle Style-90 with Built-in Strainer, Pressure Reducer, Check Valve Requires User Provided Shut-Off Valve
	591-391-863	Wiring Harness CG, CGx (Series 2 Only) See Note Below

**Note: Series 1 uses individual wires and not a wire harness.**

## CGi - Series 1 Section Assembly Parts

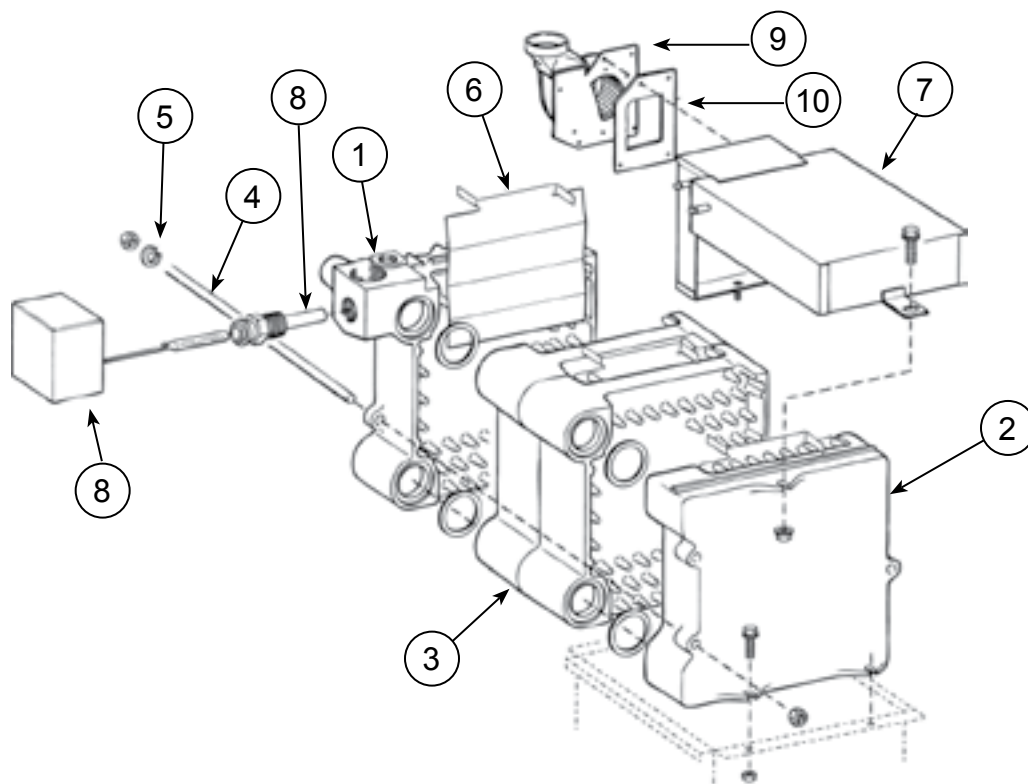


Fig. No.	Part No.	Description	Model
1	311-103-851	Left Hand End Section, 51124	
2	311-103-821	Right Hand End Section, 51128	
3	311-103-818	Intermediate Section, 51125	
N/S	321-114-286	Section Assembly	CGi-25/3
	321-114-287		CGi-4
	321-114-288		CGi-5
	321-114-289		CGi-6
	321-114-290		CGi-7
	381-354-527	Section Replacement Kit (Includes: Seals and Silicone Sealant For One Joint)	
	592-800-011	Square Cut Seal 2"	
4	560-234-500	7/16" X 9" Tie Rod Without Nut (3 Per Boiler)	CGi-25/3
	560-234-501	7/16" X 12" Tie Rod Without Nut (3 Per Boiler)	CGi-4
	560-234-502	7/16" X 15" Tie Rod Without Nut (3 Per Boiler)	CGi-5
	560-234-503	7/16" X 18" Tie Rod Without Nut (3 Per Boiler)	CGi-6
	560-234-504	7/16" X 21" Tie Rod Without Nut (3 Per Boiler)	CGi-7
	560-234-505	7/16" X 24" Tie Rod Without Nut (3 Per Boiler)	CGi-8
5	562-248-684	7/16" Washer Medium Plain Split Lock, 1 Per Rod	All
N/S	561-928-235	7/16" Hex Nut - 2 Per Tie Rod	All

CGi - Series 1  
Section Assembly Parts Continued

Fig. No.	Part No.	Description	Model
6	460-003-700	Radiation Plate with Horizontal Bends, 1 Per Joint	
7	381-354-581	Collector Hood and Transition Replacement Kit	CGi-25
	381-354-582		CGi-3
	381-354-583		CGi-4
	381-354-584		CGi-5
	381-354-585		CGi-6
	381-354-586		CGi-7
8	510-312-254	High Limit, 30° Differential, with /Well, Case, Cover and Screw Honeywell- L4080B1386	
9	381-354-580	Inducer Fan Assembly Kit (Includes Inducer Fan Assembly, Gasket and Nuts)	
10	590-317-627	Inducer Gasket	

## CGi - Series 1 Base Assembly Parts

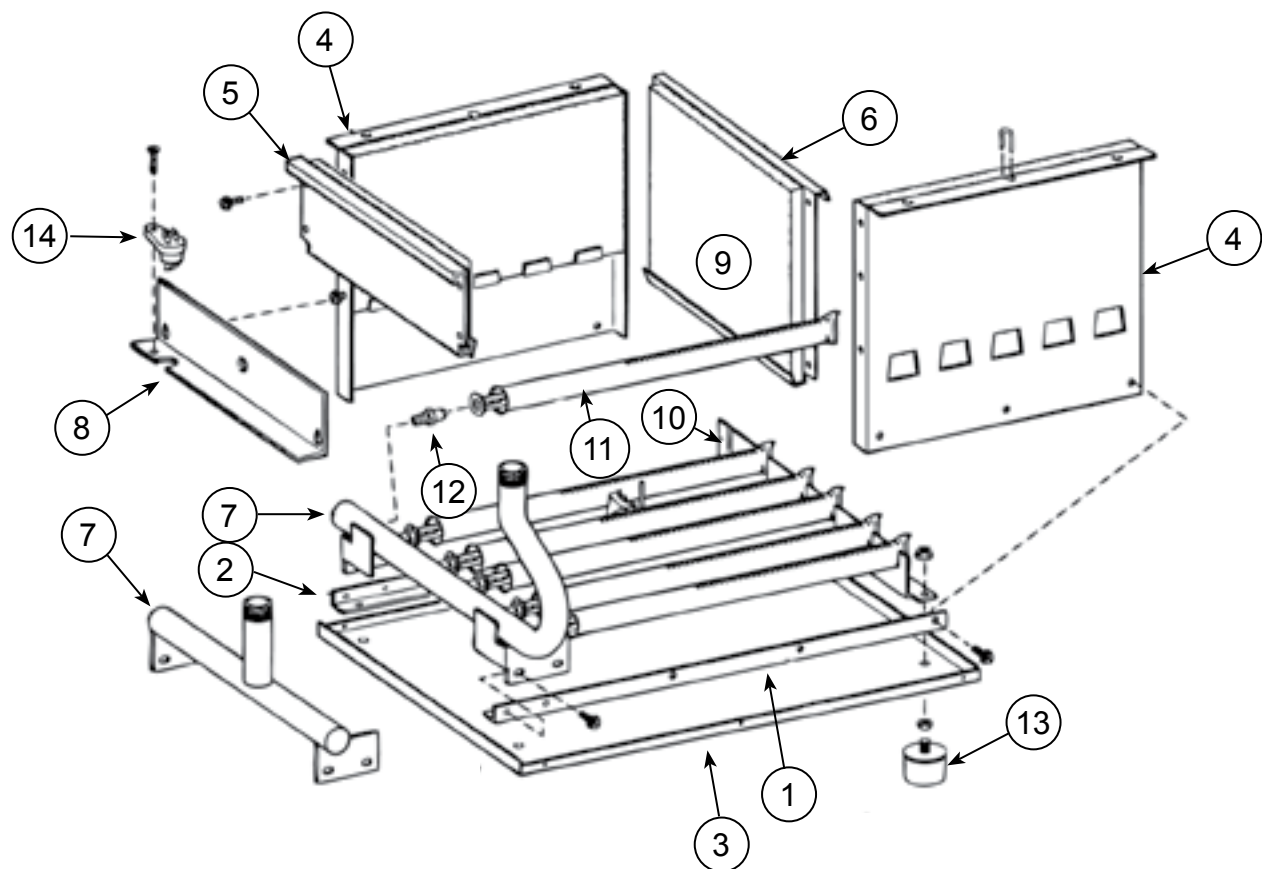


Fig. No.	Part No.	Description	Model
1	450-030-474	Base Pan Angle- Right Hand	
2	450-030-475	Base Pan Angle- Left Hand	
3	450-003-730	Base Pan	CGi-25/3
	450-003-731		CGi-4
	450-003-732		CGi-5
	450-003-733		CGi-6
	450-003-734		CGi-7
4	460-003-710	Base Side Panel	
5	460-003-777	Base Front Cross Tie	CGi-25/3
	460-003-778		CGi-4
	460-003-779		CGi-5
	460-003-780		CGi-6
	460-003-781		CGi-7
6	460-003-701	Base Back Cross Tie	CGi-25/3
	460-003-702		CGi-4
	460-003-703		CGi-5
	460-003-704		CGi-6
	460-003-705		CGi-7

## CGi - Series 1 Base Assembly Parts Continued

Fig. No.	Part No.	Description	Model
7	591-126-615	Manifold	CGi-25
	591-126-616		CGi-3
	591-126-617		CGi-4
	591-126-618		CGi-5
	591-126-619		CGi-6
	591-126-556		CGi-7
8	460-003-741	Access Panel	CGi-25, 3
	460-003-742		CGi-4
	460-003-743		CGi-5
	460-003-744		CGi-6
	460-003-745		CGi-7
9	381-354-518	Base Insulation Set	CGi-25, 3, 4, 5
	381-354-519		CGi-6, 7
10	450-003-742	Burner Rest	CGi-25
	450-003-736		CGi-3
	450-003-737		CGi-4
	450-003-738		CGi-5
	450-003-739		CGi-6
	450-003-740		CGi-7
11	512-200-077	Stainless Steel Burner with No Pilot Bracket	
	512-200-078	Stainless Steel Burner, Regular with Pilot Bracket (Natural Gas)	
	512-200-079	Stainless Steel Burner with Pilot Bracket (LP)	
12	560-528-997	Main Burner Orifice, 2.0mm, Natural Gas	
	560-528-998	Main Burner Orifice, 1.3mm, Propane	
13	550-320-219	Boiler Leg Kit (Includes: 4 Legs & 4 Nuts)	
14	512-050-230	Rollout Thermal Fuse Element, Elmwood Sensors- RD226-001	

**Note: Number of burners:**

**CGi-25 – 2 main burners and 1 burner with pilot bracket**

**CGi-3 – 3 main burners and 1 burner with pilot bracket**

**CGi-4 – 5 main burners and 1 burner with pilot bracket**

**CGi-5 – 7 main burners and 1 burner with pilot bracket**

**CGi-6 – 9 main burners and 1 burner with pilot bracket**

**CGi-7 – 11 main burners and 1 burner with pilot bracket**

## CGi - Series 1 Jacket / Electrical Parts

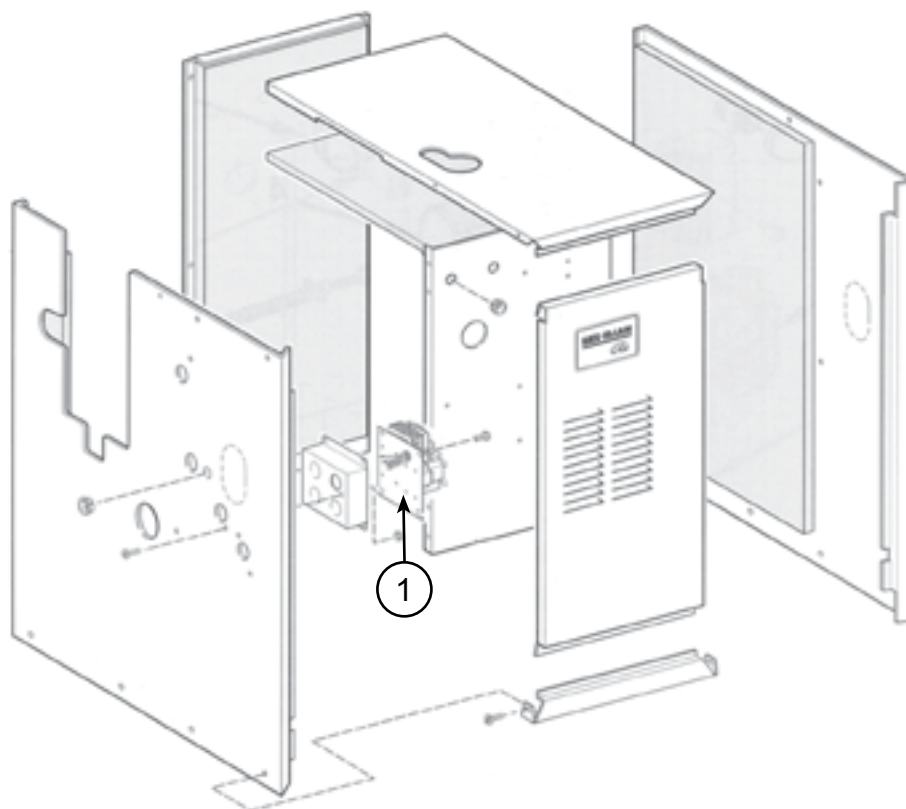


Fig. No.	Part No.	Description
1	510-312-167	Transformer/Relay Assembly
	510-312-166	Transformer 24 Volt, with Bale Wire (No Relay)
	510-350-223	Relay
N/S	592-002-030	Touch Up Paint - Blue/Gray - Low E - 4.5oz Can

**Jacket Parts Are No Longer Available.**

## CGi - Series 1 Water Trim Parts

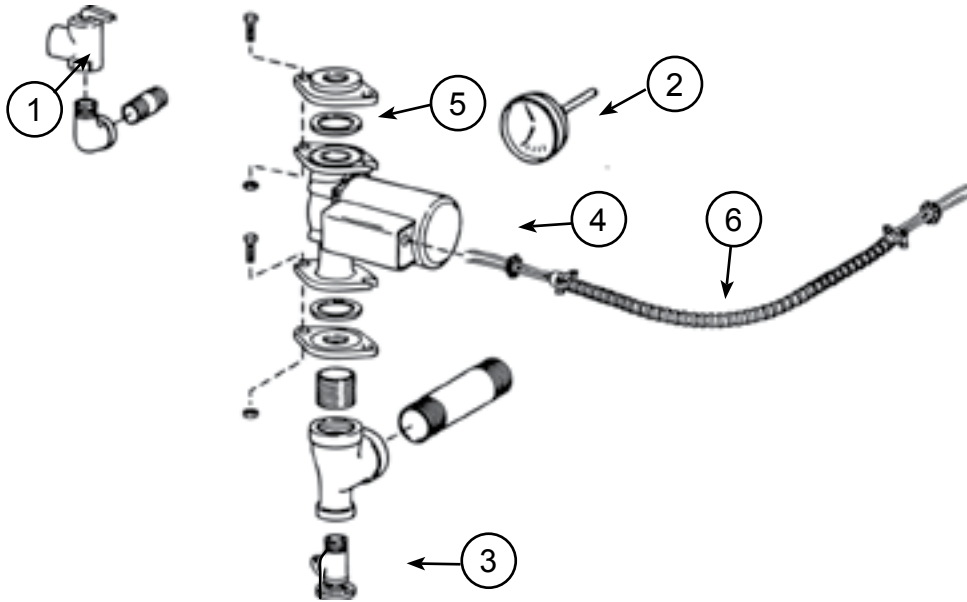


Fig. No.	Part No.	Description
1	383-500-095	ASME Pressure Relief Valve, 30 PSIG, 3/4" Male Inlet
2	380-000-000	Combination Pressure-Temperature Gauge, 3" Dia., 0-75 PSIG, 60-320°F, Short Shank, Back Connection, 1/4" N.P.T.
3	511-210-423	Drain Valve, 3/4" N.P.T, 1 1/2" Shank
4	511-405-115	Circulator
	511-405-113	Circulator
5	590-317-535	Circulator Gasket, Diamond Universal (Two Per Boiler)
6	591-319-793	Wiring Harness For Circulator
N/S	381-354-530	Circulator Hardware Kit (Includes: 1 Flange, 2 Bolts, 2 Nuts, 1 Gasket, 3/4" N.P.T) Fits Taco Circulators
	381-354-525	Circulator Hardware Kit (Includes: 1 Flange, 2 Bolts, 2 Nuts, 1 Gasket, 1" N.P.T) Fits Taco Circulators
	381-354-526	Circulator Hardware Kit (Includes: 1 Flange, 2 Bolts, 2 Nuts, 1 Gasket, 1 1/4" N.P.T) Fits Taco Circulators

## CGi - Series 1 Gas Control Parts

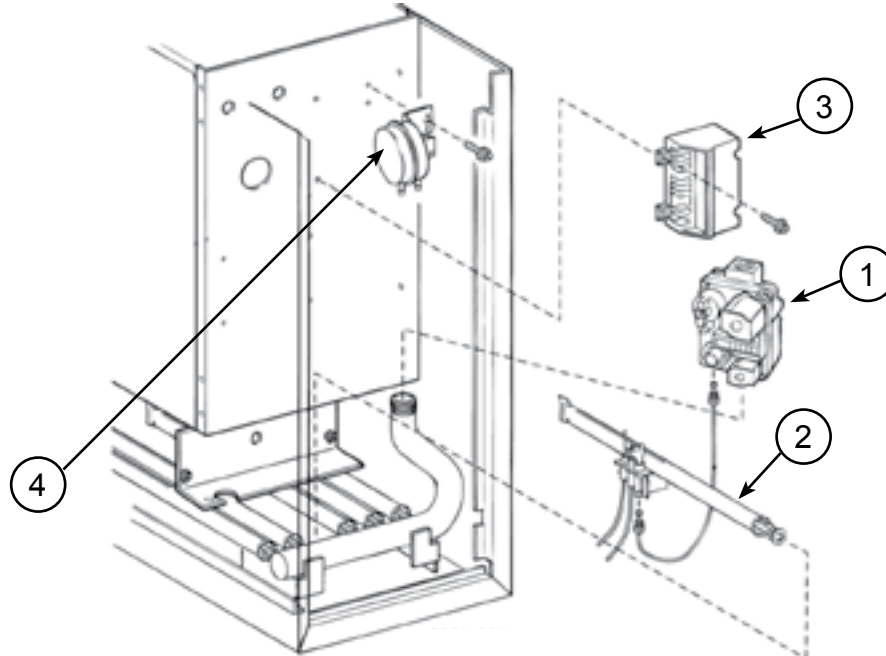


Fig. No.	Part No.	Description	Boiler Size
1	511-044-381	Gas Valve, 1/2" X 1/2", Natural, CGi 25-6	25 thru 6
	511-044-353	Gas Valve, 3/4" x Natural	7
	511-044-354	Gas Valve, 1/2" x 1/2", Propane	25, 6
	511-044-355	Gas Valve, 3/4" x 3/4", Propane	7
2	510-811-221	Pilot Assembly Kit (Includes: Orifice and Burner with Pilot Bracket, Wires and Pilot Tubing) Natural Gas	All
	510-811-222	Pilot Assembly Kit (Includes: Orifice and Burner with Pilot Bracket, Wires and Pilot Tubing ) Propane	All
3	511-330-099	Ignition Control Module	All
N/S	560-742-860	Pilot Tubing, 1/8" O.D., Aluminum	All
4	511-624-450	Pressure Differential Switch, 1.18" W.C., 0' to 1,999' Altitude	25, 3, 4
	511-624-451	Pressure Differential Switch, .96" W.C., 2,000' to 10,000' Altitude	
			Pressure Differential Switch, .96" W.C., 0' to 1,999' Altitude
	511-624-452	Pressure Differential Switch, .75" W.C., 2,000' to 10,000' Altitude	6
	511-624-453	Pressure Differential Switch, .59" W.C., 2,000' to 10,000' Altitude	7
511-624-432	Pressure Differential Switch, .48" W. C., 2,000' to 10,000' Altitude		



CGi - Series 1  
Gas Control Parts Continued

Fig. No.	Part No.	Description	Boiler Size
N/S	590-317-650	Air Pressure Switch Tubing, Red, .12 ID Silicone, 17"	All
	590-317-651	Air Pressure Switch Tubing, White, .12 ID Silicone, 19"	All
	591-319-795	Wiring Harness	All
	510-811-225	Natural to Propane Conversion Kit	25 thru 6
	510-811-226		7
	510-811-227	Propane to Natural Conversion Kit	25 thru 6
	510-811-228		7

## Ultra Boiler - Series 1 & 2 Jacket Assembly Parts

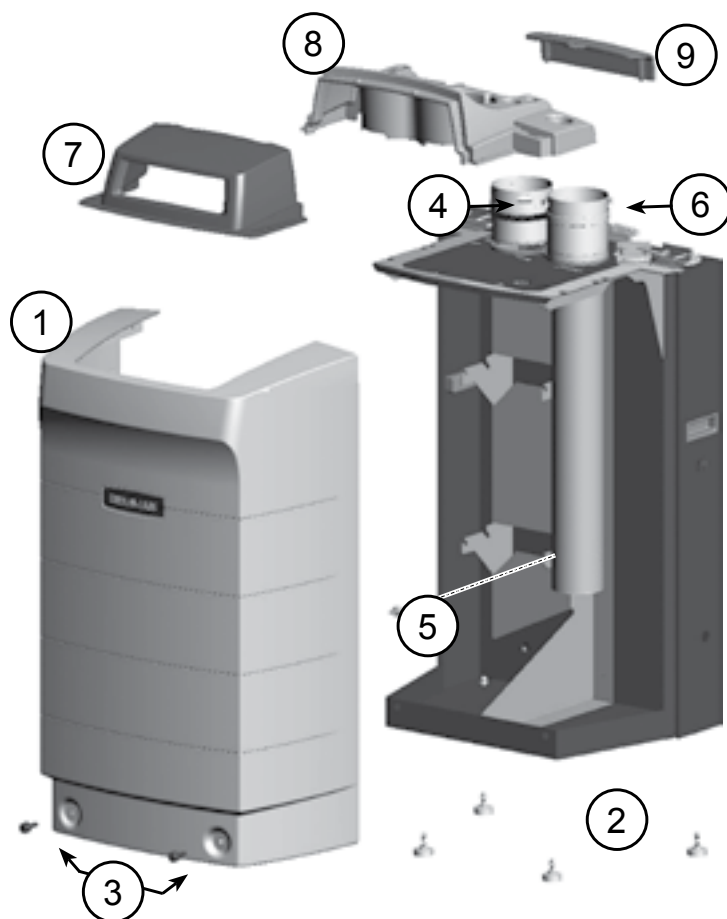
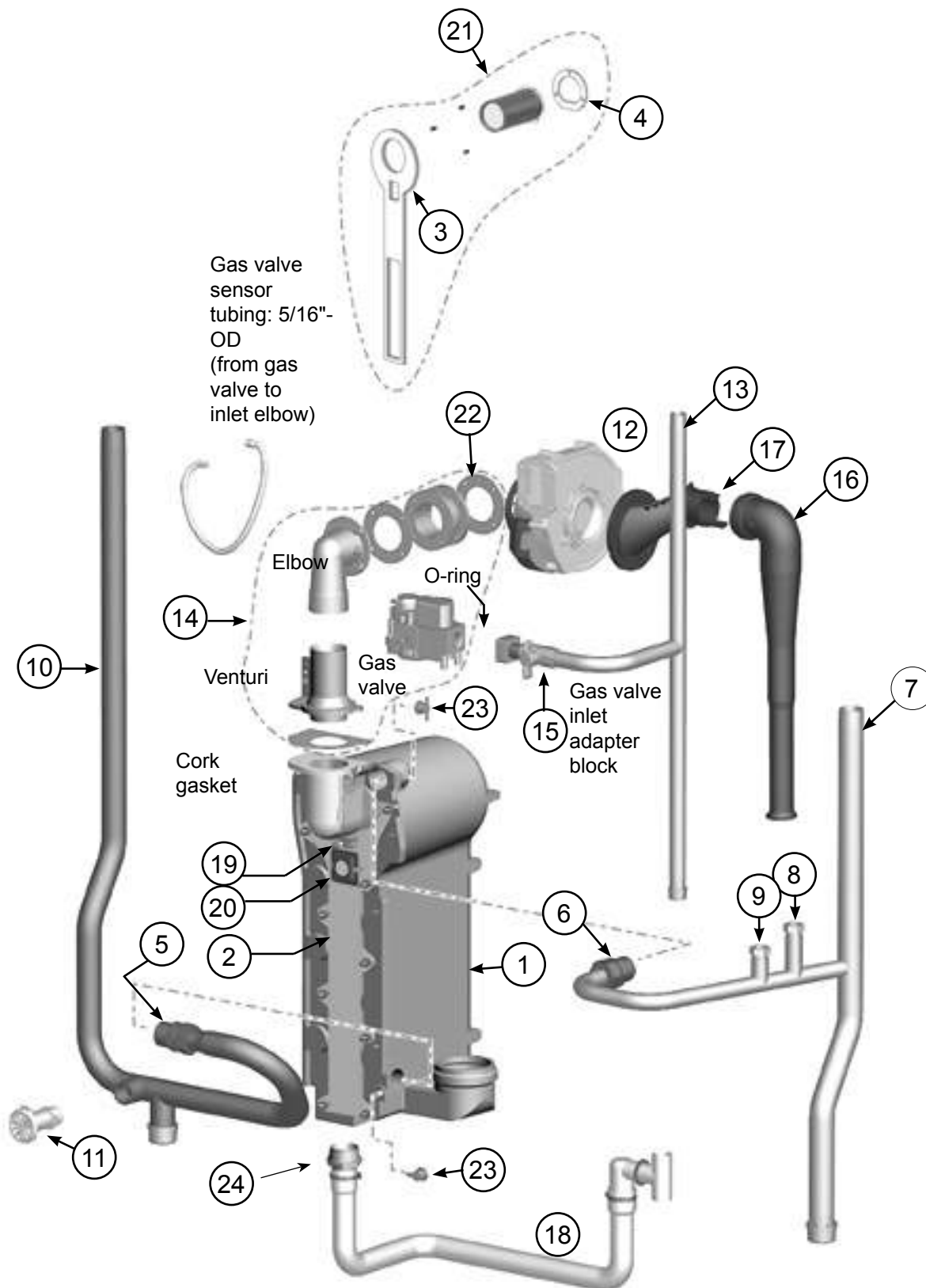


Fig. No.	Part No.	Description	Model
1	383-500-135	Jacket Front Door	
2	383-500-065	Boiler Leg Kit (4 Required)	
3	383-500-320	Knurled Head Screw For Jacket Front Door (2 Required)	
N/S	383-500-180	Knurled Head Screw Clip-On Receptacle (2 Required)	
4	383-500-055	Flue Temperature Sensor Replacement Kit	
N/S	590-318-011	Flue Temperature Sensor Gasket	
4	560-907-704	Air Adapter Assembly (Includes: Adapter, Gasket, and Mounting Bracket)	80/105
	560-907-707	Air Adapter Assembly (Includes: Adapter, Gasket, and Mounting Bracket)	155
	560-907-710	Air Adapter Assembly (Includes: Adapter, Gasket, and Mounting Bracket)	230-399

## Ultra Boiler - Series 1 & 2 Jacket Assembly Parts Continued

Fig. No.	Part No.	Description	Model
5	560-907-771	Flue Outlet Adapter - 3"	80/105
	560-907-775	Flue Pipe - 3"	
	460-005-796	Bracket	
	562-500-001	Clamp	
	560-907-771	Flue Outlet Adapter - 3"	155
	560-907-772	Flue Pipe - 3"	
	460-005-797	Bracket	
	562-500-002	Clamp	
	560-907-773	Flue Outlet Adapter - 4"	230-399
	560-907-774	Flue Pipe - 4"	
	460-005-798	Bracket	
	562-500-003	Clamp	
6	383-500-165	Top Cover, Front	
7	595-000-006	Top Cover, Rear	310
8	383-500-175	Electrical Cabinet Door	
N/S	383-500-133	Door Gasket Replacement Kit	
	383-500-610	Door Gasket Replacement Kit - (Series-2)	
	383-500-245	120v Electrical Socket	
	592-800-022	3" Blue Intake And Vent Gasket For Top of Fitting	80,105,155
	592-800-023	4" Blue Intake And Vent Gasket For Top of Fitting	230, 310
	590-318-007	70mm Blue Gasket For Bottom of Vent Fitting Into Aluminum Casting	80, 105
	590-318-003	80mm Blue Gasket For Bottom of Vent Fitting Into Aluminum Casting	155
	590-318-004	100mm Blue Gasket For Bottom of Vent Fitting Into Aluminum Casting	230, 310
	590-318-011	Flue Sensor Grommet	All
	592-002-033	Touch Up Paint - Black - Low E, 4.5oz Can	All

## Ultra Boiler - Series 1 & 2 Heat Exchanger / Piping - Ultra-80/105

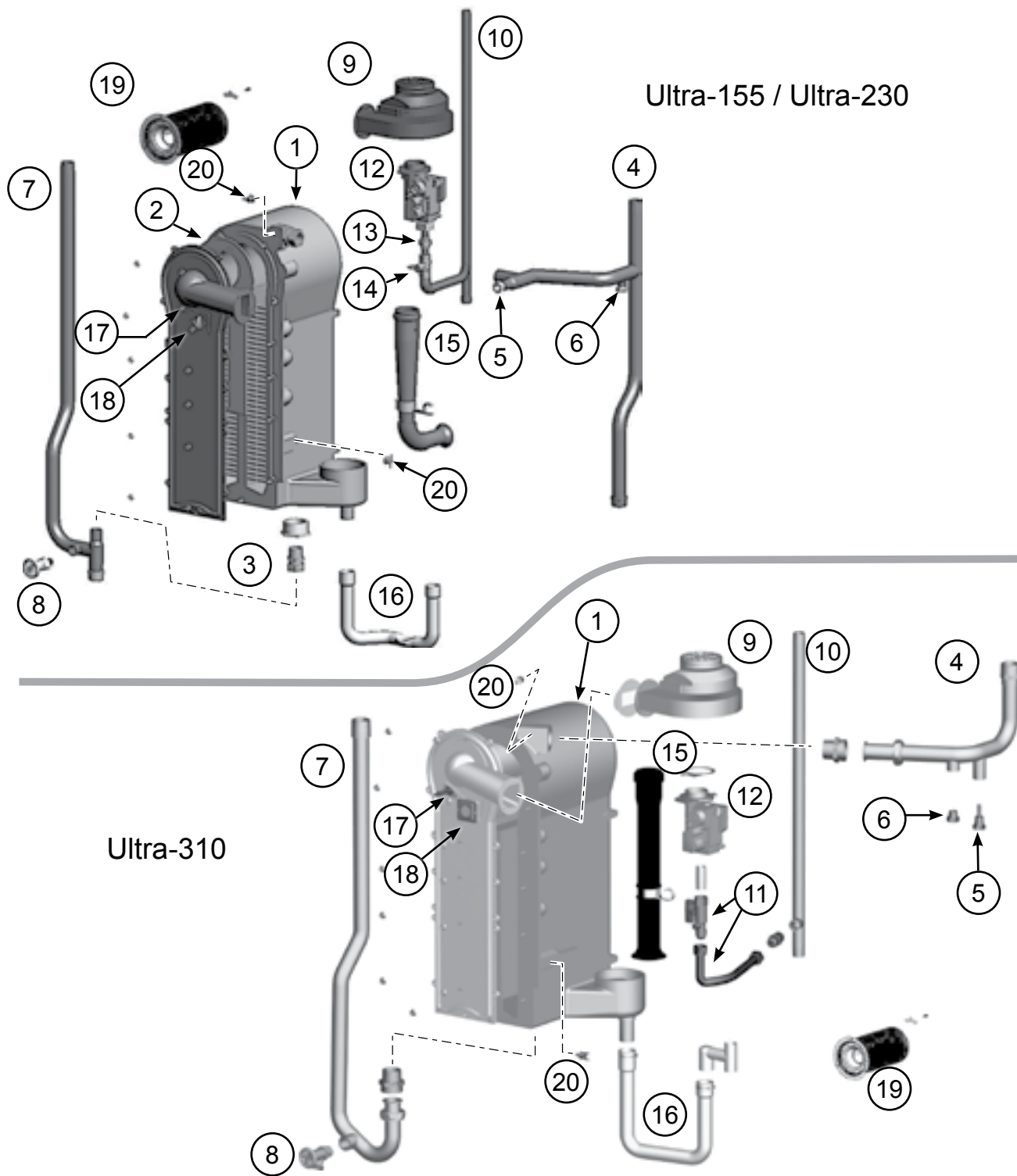


N/S	383-600-009	Gas Valve O-Rings - Package Of Ten	All
-----	-------------	------------------------------------	-----

## Ultra Boiler - Series 1 & 2 Heat Exchanger / Piping Parts - Ultra-80/105

Fig. No.	Part No.	Description	Boiler Model
1	383-500-670 383-500-671 383-500-672	Heat Exchanger Replacement Kit (Includes: Heat Exchanger, Cover Plate, Burner, Electrode, Water Sensors, Compression Fittings, Condensate Fitting, Gaskets and Hardware)	80NG 80LP 105
2	383-501-022	Cover Plate Replacement Kit (Includes: Cover Plate, Cover Plate Gasket, Burner Gasket and Hardware)	80, 105
3	591-200-000	Cover Plate Gasket/Insulation	80, 105
4	590-300-000	Burner Gasket	80, 105
5	383-500-260	Water Compression Fitting, 28mm Return	80, 105
6	564-100-002	Water Compression Fitting, 22mm Supply	80, 105
7	383-501-036	Water Supply Piping Assembly (Includes: Pipe, Temperature Well, Check Valve, Cap (Assembled) and Compression Fitting)	80, 105
8	383-500-270	½" N.P.T. Well for Temperature Gauge	ALL
9	383-500-275	Pressure/Temperature Gauge Check Valve	ALL
10	383-501-037	Return Water Pipe Assembly (Includes: Pipe, Drain Valve, Cap (Assembled) and Compression Fitting)	80, 105
11	511-246-392	Boiler Drain Valve, ¾" N.P.T.	ALL
12	383-501-027	Blower Assembly Kit (Includes: Blower, Gasket and Hardware)	80, 105
13	383-501-038	Gas Pipe Assembly (Includes: Gas pipe, Shut-Off Valve, 1½" Nipple, Adapter Block, O-ring and Hardware)	80, 105
N/S	563-910-031	Gas Valve Block (Includes Block, O-ring, and Screws)	All
14	383-501-029	Gas Valve/Venturi Kit (Includes: Gas valve, Venturi, 90° Elbow, Gaskets, and Hardware (Assembled)) (For LP boilers, Make Sure To Reinstall The Existing Propane Orifice)	80
	383-501-030	Gas Valve/Venturi Kit (Includes: Gas valve, Venturi, 90° Elbow, Gaskets, and Hardware (Assembled)) (For LP boilers, Make Sure To Reinstall The Existing Propane Orifice)	105
15	Obtain Locally	Manual Gas Valve, ½" N.P.T.	80, 105
16	383-501-026	Air Silencer Kit (Includes: Air Silencer and Gasket)	80, 105
17	383-501-025	Air Silencer Adapter Kit (Includes: Air Silencer Adapter and Hardware)	80, 105
18	383-501-031	Condensate Trap Kit (Includes: Condensate Trap, Hose Clamps, PVC Fittings and Gasket)	80, 105
19	383-500-045	Ignition Electrode Kit (Includes: Ignition Electrode, Suppressor, Gasket and Hardware)	ALL
N/S	511-330-253	Igniter Gasket	All
	383-500-050	Ignition Cable Kit (Includes: Ignition Cable, Suppressor and Wire Tie)	ALL
20	383-500-020	Inspection Glass Kit (Includes: Bracket, Glass, Gasket and Hardware)	ALL
21	383-501-032 383-501-033 383-501-034	Burner Replacement Kit (Includes: Burner, Gaskets and Hardware)	80NG 80LP 105
N/S	383-900-090	Burner Insert Repair Kit (Includes Drill, Tap, Inserts, Screws, Instructions)	All
22	590-300-003	Gasket Rubber, Blower	80, 105
23	383-500-300	Return/Supply Sensor Kit-- (1) Sensor	80, 105
N/S	590-317-310	Cork Gasket (Goes Between Gas Valve Venturi and Burner Inlet)	ALL
	560-340-598	Cover Plate Studs, M6, 1 Pitch	ALL
	561-928-449	Cover Plate Nuts, M6, 1 Pitch	ALL
24	561-200-000	Condensate Fitting	80/105

# Ultra Boiler - Series 1 & 2 Heat Exchanger / Piping Ultra-155 / 230 / 310



**Ultra Boiler - Series 1 & 2**  
**Heat Exchanger / Piping Parts**  
**Ultra-155 / 230 / 310**

Fig. No.	Part No.	Description	Model
1	383-500-673	Heat Exchanger Replacement Kit (Includes: Heat Exchanger, Cover Plate, Burner, Electrode, Water Sensors, Compression Fittings, Condensate Fitting, Gaskets and Hardware)	155
	383-500-674		230
	383-500-675		310
N/S	383-500-395	Cover Plate Replacement Kit (Includes: Cover Plate, Cover Plate Gasket, Burner Gasket and Hardware)	155, 230, 310
2	383-500-250	Cover Plate Insulation/Burner Gasket	155, 230, 310
N/S	383-500-255	Cover Plate Gasket	155, 230, 310
3	383-500-260	Water Compression Fitting, 28mm Supply/Return	155, 230
4	383-500-265	Water Supply Piping Assembly (Includes: Pipe, Temperature Well, Check Valve, Cap (Assembled) and Compression Fitting)	155, 230
	383-500-380	Water Supply Piping Assembly (Includes: Pipe, Temperature Well, Check Valve, Cap (Assembled) and Compression Fitting)	310
5	383-500-270	½" N.P.T. Well for Temperature Gauge	All
6	383-500-275	Pressure/Temperature Gauge Check Valve	All
N/S	383-500-280	Return Water Bushing, 1¼"BSP x 1"BSP (Not Used On Ultra 310)	155, 230
7	383-500-285	Return Water Pipe Assembly (Includes: Pipe, Drain Valve, Cap (Assembled) and Compression Fitting)	155, 230
	383-500-385	Return Water Pipe Assembly (Includes: Pipe, Drain Valve, Cap (Assembled) and Compression Fitting)	310
8	511-246-392	Boiler Drain Valve ¾" N.P.T.	All
9	383-500-035	Blower Assembly Kit (Includes: Blower, Gasket And Hardware)	155
	383-500-040	Blower Assembly Kit (Includes: Blower, Gasket, Molex Adapter and Hardware)	230
	383-500-360	Blower Assembly Kit (Includes: Blower, Gasket And Hardware)	310
10	383-500-290	Gas Pipe Assembly (Includes: Gas Pipe and Shut-off Valve)	155, 230
	560-907-679	Gas Pipe	310
11	560-900-016	Flexible Gas Line Section and Shut-off Valve	310
N/S	563-910-031	Gas Valve Inlet Block (Includes Block, O-ring, and Screws)	All
	383-600-009	Gas Valve - O-Rings (Package Of Ten)	All
12	383-500-025	Gas Valve/Venture Kit (Includes: Gas Valve/Venturi Assembly, and Hardware) (For LP Boilers, Make Sure To Reinstall The Existing Propane Orifice)	155
	383-500-030		230
	383-500-390		310
13		Ground Joint Union, ½" N.P.T.	155, 230
14		Manual Gas Valve, ½" N.P.T.	155, 230
15	383-500-295	Air Silencer Kit (Includes: Air Silencer and Gasket)	155, 230
	383-500-355		310
16	383-500-060	Condensate Trap Kit (Includes: Condensate Trap, Hose Claps, PVC Fittings and Gasket)	155
	383-500-060		230
	383-500-365		310
17	383-500-045	Ignition Electrode Kit (Includes: Ignition Electrode, Suppressor, Gasket and Hardware)	All

**Ultra Boiler - Series 1 & 2**  
**Heat Exchanger / Piping Parts Continued**  
**Ultra 155 / 230 / 310**

Fig. No.	Part No.	Description	Model
N/S	383-500-050	Ignition Cable Kit (Includes Ignition Cable, Suppressor, and Wire Tie)	All
18	383-500-020	Inspection Glass Kit (Includes Glass, Bracket, Gasket, and Hardware)	All
19	383-500-085	Burner Replacement Kit (Includes Burner, Gasket, and Hardware), Series 1 & 2, Natural Gas or Propane	155
	383-500-090		230
	383-500-407		310
N/S	383-900-090	Burner Insert Repair Kit (Includes 6.9 MM Drill, Tap, Inserts, Screws, and Instructions)	155,230,310
	383-500-660	Burner Locking Plate Kit (Includes 3 screws, and 3 locking plates)	155,230,310
20	383-500-300	Return/Supply Sensor (Includes 1 Sensor) ( 12 kohms)	All
N/S	562-248-755	Square Cut Gasket For Ultra 310 Supply/Return Compression Fittings Garlock	All
	561-326-828	Fitting Double Nipple For Ultra 310 Supply/Return- 1½"	
	511-330-253	Ignitor Gasket	All
	590-317-310	Cork Gasket (Goes Between Gas Valve Venturi and Blower)	All
	590-318-006	Gasket, Rubber (Goes Between Blower and Cover Plate)	All
	562-248-755	Gasket, Garlock (Supply/Return Fitting)	310



## Ultra Boiler - Series 1 & 2 Control Parts

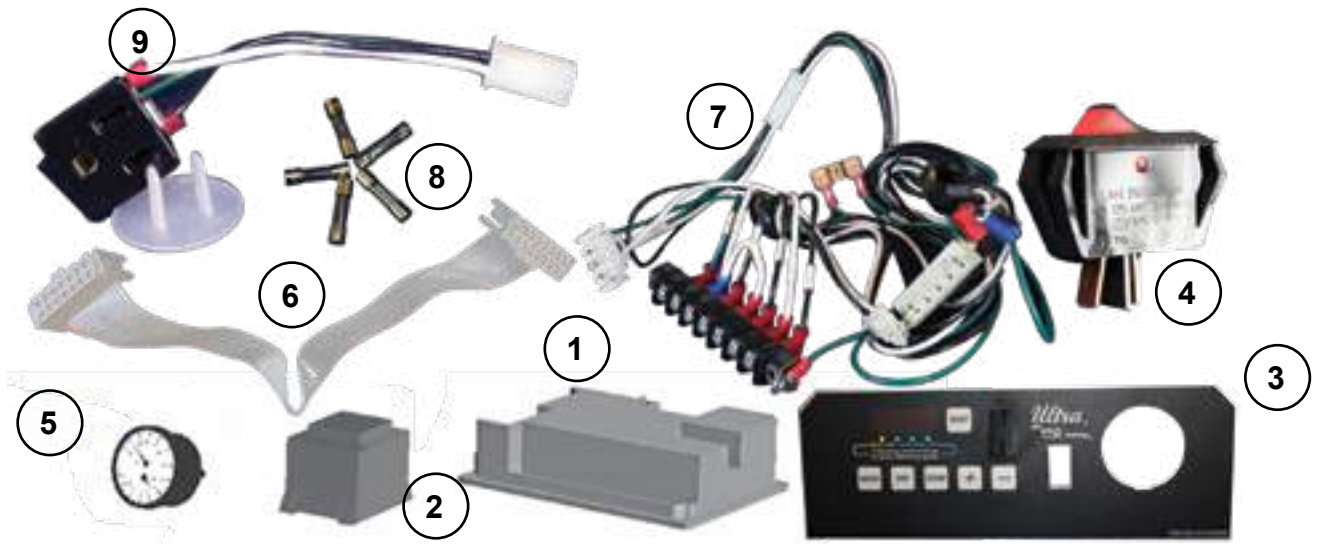


Fig. No.	Part No.	Description	Model
1	383-500-190	Ultra Control Module- MCBA	80 105 155 230
	383-500-191		310
2	383-500-195	Transformer, 120v/24v	
3	383-500-408	Display Board Kit (Includes: Display, Bracket, Label, Off-Set and Ribbon Cable)	
4	383-500-205	On/Off Power Switch	
5	383-500-210	Pressure/Temperature Gauge Assembly (Includes: Temperature and Pressure Sensor)	
6	383-500-215	Ribbon Cable, Control Module to Display Board	
N/S	591-300-002	Low Voltage Wire Harness Assembly - (Includes Wire Harness, Terminal Strip, and Resistor)	80, 105
	591-391-941		310
7	591-300-001	High Voltage Wire Harness Assembly - (Includes Wire Harness)	80, 105
	383-500-230		155, 230,
	591-391-940		310
8	383-500-235	Control Model Fuses (F-1 Is 5-Amp, Fast-Blow (5 Fuses)	
	383-500-240	Control Model Fuses (F-3 Is 4-Amp, Slow-Blow (5 Fuses)	
9	383-500-245	120v, 3-Wires Receptacle	
N/S	510-350-200	Circulator Relay	310
	591-391-927	Gas Valve Plug	155, 230, 310
	591-850-570	Data Port Cover (Series 2 Only)	

## Ultra Boiler - Series 1 & 2 Miscellaneous Parts and Kits

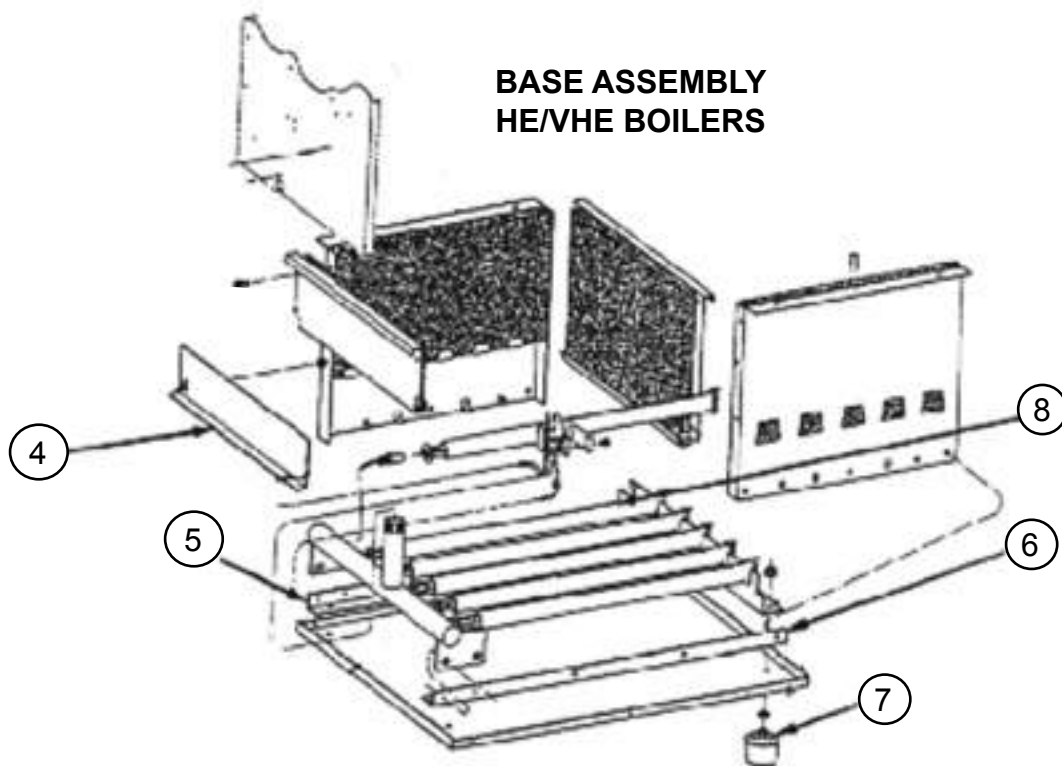
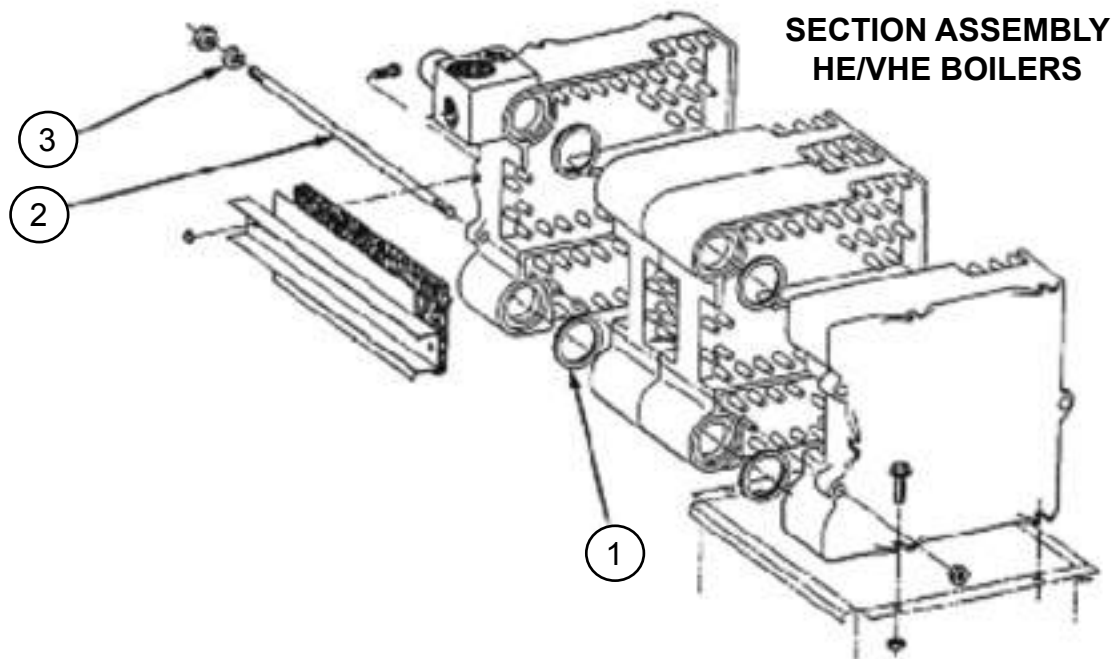


Fig No	Part No.	Description	Model
N/S	383-500-095	Pressure Relief Valve, ASME 30 PSI, 3/4" N.P.T. Male	
	511-405-113	Boiler Circulator, Without Flanges	80, 105
	511-405-133	Boiler Circulator, Without Flanges	155,230,310
	381-354-525	Circulator Hardware Kit-Inlet, 1" (Includes: (1) Flange, (2) Nuts, and (1) Gasket)	80 to 230
	381-354-526	Circulator Hardware Kit (Includes: Flange, Nuts, Screws and Gasket) 1 1/4"	80 to 310
	381-354-531	Circulator Hardware Kit (Includes: Flange, Nuts, Screws and Gasket) 1 1/2"	310
1	383-500-105	Vent Termination Bird Screen, 3" Vent - 2 Required	80,105,155
	383-500-110	Vent Termination Bird Screen, 4" Vent - 2 Required	230,310 only
2	383-500-120	Natural To Propane Conversion Kit (Orifice Bag Assembly)	230
	383-501-020	Natural To Propane Conversion Kit	80
3	383-500-080	Alarm Control Kit - AM-3	All
	383-500-396	Control Kit - AM-4 - Coverts 0-10 VDC Signal	
N/S	383-500-125	Outdoor Temperature Sensor	All
4	383-500-100	Vent/Air Termination Plate (2 Required For Each Boiler)	
N/S	383-500-397	Sidewall Termination Kit, 3"	
5	383-500-398	Sidewall Termination Kit, 4"	
N/S	383-501-020	Natural To Propane Conversion Kit (Orifice Bag Assembly)	80
	540-100-001	Natural To Propane Conversion Kit (Orifice Bag Assembly)	105
	383-500-115	Natural To Propane Conversion Kit (Orifice Bag Assembly)	155
	383-500-120	Natural To Propane Conversion Kit (Orifice Bag Assembly)	230
	383-500-016	Natural To Propane Conversion Kit (Includes: Propane Burner and Orifice Bag Assembly With Instructions)	310 Series 1 only
	540-202-833	Natural To Propane Conversion Kit (Orifice Bag Assembly)	310 Series 2 only
	383-501-021	Propane To Natural Conversion Kit	80

## Ultra Boiler - Series 1 & 2 Miscellaneous Parts and Kits Continued

Fig No	Part No.	Description	Model
	383-500-605	Maintenance Kit (Includes: Igniter, Igniter Gasket, Cover Plate Gasket, Cover Plate Insulation, Burner Gasket and Venturi Gasket)	80 & 105
	383-500-620	Maintenance Kit (Includes: Igniter, Igniter Gasket, Cover Plate Gasket, Cover Plate Insulation, Burner Gasket and Venturi Gasket)	155 - 399
	591-706-200	Heat Exchanger Cleaning Tool	All
	383-500-631	Condensate Neutralizer Kit	All
	560-340-598	Cover Plate Studs, M6, 1 Pitch	All
	561-928-449	Cover Plate Nuts, M6, 1 Pitch	All
	383-500-327	High Altitude Kit (Includes 1 Orifice of Each Boiler Size) <b>L/P ONLY</b>	All
	383-500-021	Time Delay Kit (Includes Electrical Box, Relays, and Instructions)	All
	383-600-009	Gas Valve O-Rings	All
	383-500-345	Heat Exchanger Plug Kit - (Includes 14 Plugs, 12MM Allen Wrench, and Instructions) <b>SERIES 1 ONLY</b>	155/230 Only
<b>Manifolds</b>			
N/S	383-500-649	Easy Up Manifold -1 ¼"	80/105
	383-500-661	Easy Up Manifold - 1 ½"	155-399

HE / HEII / VHE - Series 1 Through 3  
 Section / Base Assembly



## HE / HEII / VHE - Series 1 Through 3 Section / Base Assembly Parts

**Parts not listed below are obsolete and no longer available. Parts listed below may become obsolete.**

**Call Customer Service for part availability.**

Fig. No.	Part No.	Description	Series No.
1	592-800-011	2" Square Cut Seal (Need 2 Per Joint)	1-3
2	560-234-500	7/16" X 14 Unc, Tie Rod Without Nut: (9" Long) (3 Per Boiler)	1-3
	560-234-501	7/16" X 14 Unc, Tie Rod Without Nut: (12" Long) (3 Per Boiler)	1-3
	560-234-502	7/16" X 14 Unc, Tie Rod Without Nut: (15" Long) (3 Per Boiler)	1-3
	560-234-503	7/16" X 14 Unc, Tie Rod Without Nut: (18" Long) (3 Per Boiler)	1-3
3	562-248-684	7/16" Washer (1 Per Tie Rod)	1-3
N/S	591-638-850	Silicone Sealant For Cleanout Plate-RTV 700 or Equivalent: (10.3 oz.) Base Side Panel (2 Per Boiler)	1-3
4	450-030-644	Base Access Panel: (HSI Only)- HE/VHE/HEII-3	3
	450-030-645	Base Access Panel: (HSI Only)- HE/VHE/HEII-4	3
	450-030-646	Base Access Panel: (HSI Only)- HE/VHE/HEII-5	3
	450-030-647	Base Access Panel: (HSI Only)- HE/VHE/HEII-6	3
5 & 6	450-030-971	Base Pan Angle-Universal Fits Right Or Left	1-3
7	590-424-252	Leg Assembly (Includes: Leg, Nuts and Washer)	1-3
N/S	560-528-992	Main Burner Orifice: (Natural Gas): 2.0mm-7/16" Hex-1/8" N.P.T	1-3
	560-529-052	Main Burner Orifice: (Propane Gas): 1.25mm-7/16" Hex-1/8" N.P.T	1-3
8	512-200-035	Burner, Aluminized: (1.00" OD x15.00" Long)	1-3
	512-200-045	Burner, Aluminum with Pilot Bracket - (HE/VHE Cycle Pilot System Only)	1-3
N/S	591-632-612	Waterglass (4 oz Bottle)	1-3
	591-602-914	Boiler Cement (1 Can)=(1/2 Gallon)	1-3
	591-638-851	Silicone Sealant (RTV 700 or Equivalent) (3 oz)	1-3
	592-002-030	Touch Up Paint - Blue/Gray - Low E, 4.5oz Can	1-3

**Note: Number of burners for HE/VHE/HEII Boilers:**

**HE/VHE/HEII-3-(4 main burners),  
HE/VHE/HEII-4-(6 main burners),  
HE/VHE/HEII-5-(8 main burners),  
HE/VHE/HEII-6-(10 main burners).**

**For Cycle Pilot HE/VHE Boilers subtract one main burner, and add one pilot burner to each above.**

**Boiler Cement Quantities Required:**

**HEII-3-(1 Can),  
HEII-4-(2 Cans),  
HEII-5-(3 Cans),  
HEII-6-(4 Cans),**

**1 Can Equals 1/2 Gallon (Used For Base Front and Back Cross Ties on HEII)**

# HE / HEII / VHE - Series 1 Through 3 Hot Surface Ignition





## HE / HEII / VHE - Series 1 Through 3 Hot Surface Ignition Parts

Fig. No.	Part No.	Description	Model
<b>Combination Gas Valve Control For Natural Gas</b>			
1	510-811-655	Combination Gas Control Valve Kit (Step Opening, 0.9" W.C. Low Fire To 3.5" W.C. High Fire, ½" x ½" N.P.T. Natural Gas)	ALL
<b>Combination Gas Valve Control For Propane Gas</b>			
1	510-811-656	Combination Gas Control Valve Kit (Step Opening, 3.0" W.C. Low Fire To 10.0" W.C. High Fire, ½" x ½" N.P.T. , Propane Gas)	ALL
<b>Gas Control Components For Natural Gas And Propane Gas</b>			
2	510-811-502	Combination Ignition-Sensing Control Module, 24 Volt, (Lock-Out After 3 Ignition Trials)	HE/ VHE
	382-200-448	Integrated Boiler Control Module, 24 Volt, (Lock-Out After 3 Ignition Trials) Instructions Included	HE II
3	382-930-216	Norton 201 to 201N Conversion Kit - Used Only With Honeywell & Fenwall Controls - (Igniter, Bracket, Sense Rod) Instructions Included	HE/ VHE
N/S	511-330-182	Sapco Fame Sensor - Comes With Kit # 382-930-216 With Bracket and Lead Wire	HE/ VHE
	511-330-184	Norton 201N (Igniter only) - With Lead Wires and Connector Used With White Rodgers. Instructions Included	HE/ VHE
4	511-330-148	Igniter Replacement Kit - (Includes Igniter and Shield Used With United Technologies) - HE II Only	HE II
5	511-330-192	Main Fame Sensor, Used With White Rodgers Control # 50E47-871	HE/ VHE
N/S	450-030-655	Igniter Bracket, Boilers With - 201N Igniter (HSI ) only	HE/ VHE
	450-030-653	Igniter Bracket, Boilers With - 271N Igniter	HE II
	450-030-642	Igniter Shield, Boilers With HSI Only	ALL
6	591-391-819	Wiring Harness - Module To Igniter - Gold Control Module Only	HE II
N/S	591-391-786	Wiring Harness - Module To Controls Gold Control Module Only	HE II
	591-391-808	Wiring Harness - Module To Igniter - White Rodgers Module Only	HE/ VHE
7	591-391-788	Wiring Harness - Gold Control Module To Junction Box	HE II
N/S	591-391-784	Wiring Harness - Gold Control Module to Inducer (4-Pin Molex Plug)	
<b>Conversion Kits: Natural to Propane, Propane to Natural</b>			
N/S	510-811-480	Conversion Kit – Natural Gas To Propane Gas (HSI only) - (Includes: Gas Valve, Orifices and Instructions)	ALL
	510-811-485	Conversion Kit – Propane Gas To Natural Gas (HSI only) - (Includes: Gas Valve, Orifices and Instructions)	ALL

## HE / HEII / VHE - Series 1 Through 3 Hot Surface Ignition Conversion Kits



Fig. No.	Part No.	Description	Model
<b>Conversion Kits: Control Systems</b>			
1	382-200-451	Conversion Kit – From Honeywell, Fenwall, White Rodgers HSI To Gold Control HSI - (Includes: Module, Wiring, Transformer, Igniter, Hardware and Instructions) <b>No Gas Valve</b>	HE/ VHE
2	382-200-449	Complete Conversion Kit From Cycle Pilot System To Gold Control HSI ( <b>Natural Gas</b> ) - (Includes: Module, Gas Valve, Wiring, Hardware and Instructions) <b>Gas Valve Included</b>	HE/ VHE
N/S	382-200-450	Complete Conversion Kit From Cycle Pilot System To Gold Control HSI ( <b>Propane Gas</b> ) - (Includes: Module, Gas Valve, Wiring, Hardware and Instructions)	HE/ VHE
	382-200-448	Conversion Kit From Honeywell S9301A or Gold Control 1013 -100 To Gold Control 1013-200 - (Includes: Module, Wiring and Instructions)	HE II



## HE / HEII / VHE - Series 1 Through 3 Blower Assembly Parts

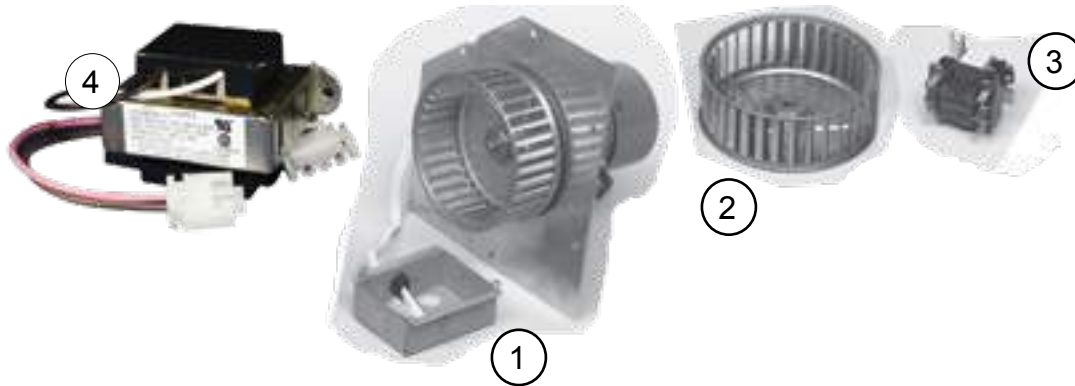


Fig. No.	Part No.	Description	Boiler Model
1	510-312-312	Blower Assembly (Includes: Mounting Plate, Hardware, Motor and Wheel) - All Boilers	HE/HE-II
2	510-312-322	Blower Wheel (Galvanized Steel, 5.75" Diameter, 5/16" Shaft)	HE/HE II
1	510-312-317	Blower Assembly (Includes: Mounting Plate, Hardware, Motor and Wheel) - All Boilers	VHE
2	510-312-279	Blower Wheel (Stainless Steel, 5.72" Diameter, 5/16" Shaft)	VHE
N/S	699-999-022	Starter/Termination Kit (Includes: Starter Tee, Termination Coupling, Sealant and Instructions) (Saf-T- Vent Only).	HE/VHE
	699-999-036	Starter/Termination Kit (Includes: Starter Tee, Termination Coupling, Sealant and Instructions) (Z- Vent Only).	HE/VHE
	699-999-024	Starter Kit (Includes: Starter Tee, Sealant and Instructions) (Saf-T- Vent Only).	HE II
	699-999-034	Starter Kit (Includes: Starter Tee, Sealant and Instructions) (Z- Vent Only).	HE II
<b>Electrical Components</b>			
N/S	510-312-166	Combination Transformer-Relay Receptacle, 120/24 Volt, 40 VA	HE/VHE HE/VHE HE/VHE
3	510-350-223	Plug In Relay, DPST, 24 Volt Holding Coil	HE/VHE
N/S	510-312-167	Complete Transformer and Relay	HE/VHE
4	511-842-370	24 Volt Step Down Transformer, 40 VA	HE II
N/S	512-050-230	Fuse Thermal Roll-Out, 228°C	ALL
	592-900-015	Oil Lubricant - Anderol 465 - 3oz.	All

**Note: Original draft inducer motor was Fasco # 7121-5750, Currently using Fasco # 7162-1335.**

## HE / HEII / VHE - Series 1 Through 3 Water Trim Parts



Fig. No.	Part No.	Description
1	510-312-015	High Limit Temperature Control (SPST, Automatic Recycle, 100-240°F Range, 5-30° Range Adjustable Differential, Compatible With Existing Well) With Instructions
2	383-500-095	ASME Pressure Relief Valve, ¾" N.P.T., Male Inlet, Side Outlet, Brass, Set To Relieve At 30 PSIG
3	510-218-099	Combination Pressure/Temperature Gauge, 3.12" Dial, 0-170 PSIG, 60-320°F Short Shank, ¼" N.P.T. Back Connection
4	511-210-423	Drain Valve, ¾" N.P.T., 1 ½" Shank
5	511-405-113	Circulator, 1/25 HP, 115/60/1 Motor, 3250 RPM, .70 Amps
	511-405-115	Circulator, 1/12 HP, 115/60/1 Motor, 1725 RPM, 1.75 Amps
6	590-317-543	Circulator Gasket, For Taco 007 and Un 110 Circulators – (2- Required Per Unit)
	590-317-535	Circulator Gasket, For B&G LR-20 Circulators – (2- Required Per Unit)
	590-317-542	Circulator Gasket, for B&G 100 Series Circulators – (2- Required Per Unit)
7	381-354-525	1" Universal Circulator Hardware Kit (Includes: Screws, Nuts, (1) Flange and (1) Gasket)
7	381-354-526	1¼" Universal Circulator Hardware Kit (Includes: Screws, Nuts, (1) Flange and (1) Gasket)
<b>ADDITIONAL WATER TRIM COMPONENTS</b>		
8	510-148-567	Automatic Air Vent, Float Type, ⅛" N.P.T.
N/S	561-013-849	Reducing Coupling, ½" X ⅛" N.P.T. For Taco Air Vent

HE / HEII / VHE - Series 1 Through 3  
Water Trim Parts Continued

Fig. No.	Part No.	Description
9	510-632-088	Fill-Trol Diaphragm Expansion Tank With O-ring – (Tank Only)
	510-632-089	Fill-Trol Diaphragm Expansion Tank With O-ring – (Tank Only)
10	511-210-434	Fill Valve Angle Style-90 With Built-in Strainer, Pressure Reducer, Check Valve Requires User Provided Shut-Off Valve

## HE / HEII / VHE - Series 1 Through 3 Pressure Switches



Fig. No.	Part No.	Description	Model
1	511-624-541	Pressure Differential Switch, SPDT, 1.05" Setting, 0 – 4000' Ft Elevation	HE-Series 1 & 2-(ALL)
	511-624-545	Pressure Differential Switch, SPDT, 0.95" Setting, 4000 – 8000' Ft Elevation	HE-Series 2-(ALL)
	511-624-544	Pressure Differential Switch, SPDT, 0.85" Setting, 8000 – 12000' Ft Elevation	HE-Series 2-(ALL)
	511-624-510	Pressure Differential Switch, SPDT, 1.00" Setting, 0 – 4000' Ft Elevation	HE-Series 3, HE-II – Sizes (3,4,5)
	511-624-511	Pressure Differential Switch, SPDT, 0.90" Setting, 4000 – 8000' Ft Elevation	HE-Series 3, HE-II – Sizes (3,4,5)
	511-624-512	Pressure Differential Switch, SPDT, 0.80" Setting, 8000 – 12000' Ft Elevation	HE-Series 3, HE-II – Sizes (3,4,5)
	511-624-511	Pressure Differential Switch, SPDT, 0.90" Setting, 0 - 4000' Ft Elevation	HE-Series 3, HE-II – Size (6)
	511-624-512	Pressure Differential Switch, SPDT, 0.80" Setting, 4000 - 8000' Ft Elevation	HE-Series 3, HE-II – Size (6)
	511-624-513	Pressure Differential Switch, SPDT, 0.70" Setting, 8000 – 12000' Ft Elevation	HE-Series 3, HE-II – Size (6)
	511-624-549	Pressure Differential Switch, SPDT, 1.47" Setting, 0 - 4000' Ft Elevation	VHE-Series 1 (ALL)
	511-624-548	Pressure Differential Switch, SPDT, 1.15" Setting, 0 - 4000' Ft Elevation	VHE-Series 2 (ALL)
	511-624-541	Pressure Differential Switch, SPDT, 1.05" Setting, 4000 - 8000' Ft Elevation	VHE-Series 2 (ALL)
	511-624-545	Pressure Differential Switch, SPDT, 0.95" Setting, 8000 - 12000' Ft Elevation	VHE-Series 2 (ALL)
	511-624-514	Pressure Differential Switch, SPDT, 1.26" Setting, 0 - 4000' Ft Elevation	VHE-Series 3 (ALL)
	511-624-548	Pressure Differential Switch, SPDT, 1.15" Setting, 4000 - 8000' Ft Elevation	VHE-Series 3 (ALL)
	511-624-541	Pressure Differential Switch, SPDT, 1.05" Setting, 8000 - 12000' Ft Elevation	VHE-Series 3 (ALL)
2	590-317-630	Pressure Differential Switch Tubing, 1/8" I.D. X 12" Long, White	HE/VHE/HE-II
3	590-317-631	Pressure Differential Switch Tubing, 1/8" I.D. X 12" Long, Red	HE/VHE/HE-II

# NOTES

## EG - Series 2 Through 4 Water Trim Parts



Fig. No.	Part No.	Description
<b>Temperature Controls For All EG Water Boilers Without Tankless Heaters (Except EG-75 Standing Pilot)</b>		
1	510-312-209	High Limit Temperature Control SPST (Automatic Recycle, 140-240°F 10°F Fixed Subtractive Differential With ¼" N.P.T. Well)
<b>Temperature Controls For EG-75 Standing Pilot</b>		
2	510-312-150	Combination Operating Limit (140-240°F Range) and Fixed High Limit (240°F Temperature Control, Auto Recycle, DPST, With ¼" Well. Fixed High Limit, Furnished With Wire Leads For Connection To Thermocouple Spade Terminal Block)
<b>Temperature Controls For All EG Water Boilers With Tankless Heaters</b>		
N/S	510-312-249	Combination High Limit / Low Limit / Circulator Control with Transformer (High Limit: SPST Automatic Recycle, 140-240°F Range, 10°F Subtractive Differential) (Low Limit / Circulator Control: SPDT, Automatic Recycle, 100-200°F Range, 10-35°F Adjustable Differential)

## EG - Series 2 Through 4 Water Trim Parts Continued

Fig. No.	Part No.	Description
<b>Trim For All EG Water Boilers</b>		
3	383-600-091	ASME Pressure Relief Valve (Set To Relieve At 30 PSIG, ¾" N.P.T., Female Inlet) All Size EG's
4	510-218-097	Combination Pressure-Temperature Gauge (2½" dial, 0-75 PSIG, Long Shank, ¼" N.P.T. Back Connection) All Size EG's
5	511-210-423	Drain Valve, ¾" N.P.T., 1½" Shank
N/S	510-148-567	Automatic Air Vent, Float Type, ⅛" N.P.T.
	590-921-904	Tankless Heater For EG 35-45 Water Boiler (Includes: Heater, Gasket, Nuts and Studs) EG-30 Thru 45
	590-921-905	Tankless Heater For EG 50-55 Water Boiler (Includes: Heater, Gasket, Nuts and Studs) EG-50 & 55
	590-921-901	Tankless Heater For EG 65-75 Water Boiler (Includes: Heater, Gasket, Nuts and Studs) EG- 65 & 75
	592-300-027	Immersion Well ¾" N.P.T. X 6.25" In Length
	560-340-577	Stud 3/8-16 NC-2A X 1.12" Long With 3/8-16 NC Brass Nut (6 Required)
	590-317-495	Round Tankless Heater Gasket

## EG - Series 2 Through 4 Steam Trim Parts

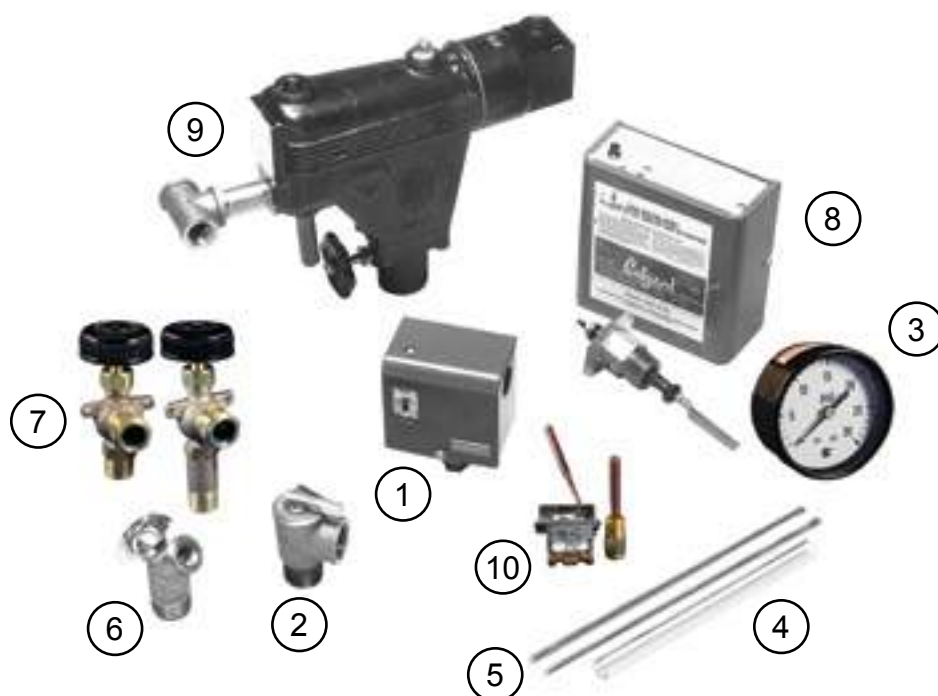


Fig. No.	Part No.	Description
1	510-312-135	High Pressure Limit Control (SPST, Automatic Recycle, 0-15 PSIG Range, 1-5 PSIG Differential, 1/4" N.P.T. Bottom Connection)
2	383-600-106	ASME Steam Relief Valve (Set To Relieve At 15 PSIG, 3/4" N.P.T. Male Inlet) 375 lbs Per Hour Rating
3	510-218-045	Steam Pressure Gauge (0-3- PSIG, 2 1/2" Dial, 1/4" N.P.T. Male Inlet)
4	383-600-000	Water Gauge Glass Kit (5/8" X 7 3/8" With Gaskets and Brass Washers)
5	563-334-580	Water Gauge Glass Guard (3/16" X 9 3/8" (2 Required)
6	511-210-423	Drain Valve, 3/4" N.P.T., 1 1/2" Shank
N/S	590-921-903	Tankless Heater Steam Boiler (Includes: Heater, Gasket, Nuts and Studs) For EG-35 thru EG-75
<b>Water Gauge Glass Cocks For Electrode Type Low Water Cut-Off</b>		
7	510-218-145	Water Gauge Glass Cocks, 1/2" N.P.T. Male Inlet (Set of 2)
<b>Water Gauge Glass Cocks For # 67 Float Type Low Water Cut-Off</b>		
7	510-218-135	Water Gauge Glass Cocks, 1/2" N.P.T. Male Inlet (Set of 2)
<b>Electrode Type Low Water Cut-Off Components</b>		
8	510-811-403	Low Water Cut-Off, Electrode Type, SPDT, 24 Volt, 3/4" Male N.P.T, With Instructions, Adapter, and Bushing
<b>Float Type Low Water Cut-Off Components For EG Steam Boilers</b>		
9	511-114-494	Float Type Low Water Cut-Off (SPDT, Automatic Recycle, 15 PSIG Rated, 24 or 120 Volt Contact Rating, 1/2" N.P.T. With Quick Hook-up Fittings) For EG Steam Except Millivolt



EG - Series 2 Through 4  
Steam Trim Parts Continued

Fig. No.	Part No.	Description
<b>Tankless Heater Operating Temperature Control</b>		
10	510-312-250	Operating Temperature Control (SPST, Automatic Recycle, 140-250°F Range, With ¾" N.P.T. Control Well, 10° Fixed Subtractive Differential)
<b>Probe Type Low Water Cut-off For EG Steam Boilers Series 4 Only</b>		
8	511-114-515	Low Water Cut-Off, SPDT, ¾" Male Electrode Type, 24 Volt
	511-114-516	Low Water Cut-Off, SPDT, ¾" Male Electrode Type, 24 Volt
<b>Additional Parts</b>		
N/S	560-340-577	Tankless Stud and Nut
	590-317-550	Rectangular Heater Gasket
	560-640-696	90° Syphon, ¼" Brass Pipe

## EG - Series 2 Through 4 Standing Pilot Parts

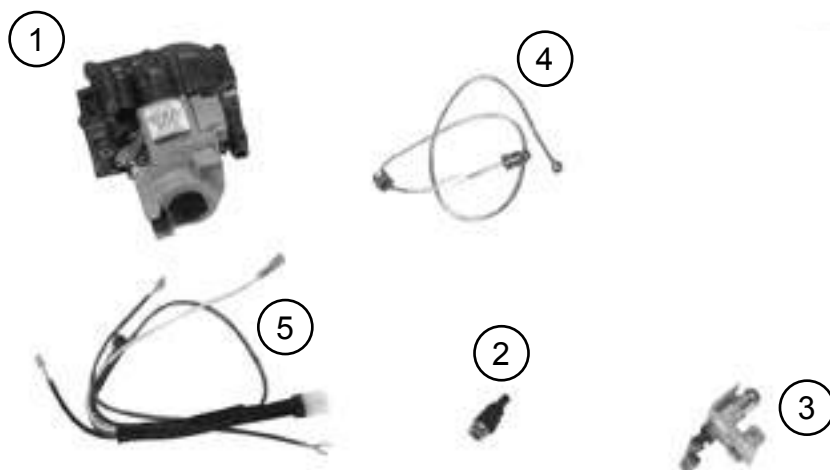


Fig. No.	Part No.	Description	EG Boiler Size							
			30	35	40	45	50	55	65	75
<b>Components For Natural Gas Only</b>										
1	511-044-360	Combination Gas Control Valve, 1/2" x 1/2" N.P.T., 24 Volt	X	X	X	X	X			
	511-044-256	Combination Gas Control Valve, 3/4" x 3/4" N.P.T., 24 Volt						X	X	
	510-811-641	Combination Gas Control Valve*, 3/4" x 1" N.P.T., 24 Volt Thermopile Only								X
2	560-528-950	Natural Gas Pilot Orifice, .026 Dia. (For Q-327 Pilot)								X
N/S	510-811-640	Natural Gas Pilot Replacement Kit (Includes: Slotted Main Burner With Pilot Bracket, Pilot Assembly - Q350, Thermocouple And Tubing with Fittings)	X	X	X	X	X	X	X	
	560-528-980	Natural Gas Pilot Orifice, .018" Dia. ( For E-38 Pilot Only) (Series 2)	X	X	X	X	X	X	X	
	511-724-254	Thermocouple Screw-In 30"	X	X	X	X	X	X	X	
	510-811-461	Thermocouple To Thermopile Conversion Kit for Natural Gas. Includes Gas Valve, Bushing, Lead Wire, Thermopile, and Instructions								

## EG - Series 2 Through 4 Standing Pilot Parts Continued

Fig. No.	Part No.	Description	EG Series 4 Boiler Size							
			30	35	40	45	50	55	65	75
<b>Components For Propane Gas Only</b>										
1	381-356-534	Combination Gas Control Valve ½" x ½" N.P.T., 24 Volt, Step Open	X	X	X	X	X	X	X	
	510-811-643	Combination Gas Control Valve, ¾" x 1" N.P.T., 24 Volt								X
N/S	510-811-462	Thermocouple To Thermopile Conversion Kit for Propane Gas. Includes Gas Valve, Bushing, Lead Wire, Thermopile, and Instructions								X
2	560-528-985	Propane Gas Pilot Orifice. 0.010" Dia. (For E-38 Pilot Only)	X	X	X	X	X	X	X	
	560-528-957	Propane Gas Pilot Orifice. 0.010" Dia. ( For Q327 Pilot)								X
N/S	510-811-642	Propane Gas Pilot Replacement Kit ( Burner w/Bracket Pilot Assembly - Q350, & Fittings)	X	X	X	X	X	X	X	X
	511-724-253	Thermocouple, 48" Long (Clip In)	X	X	X	X	X	X	X	X
<b>Components For Natural Gas And Propane</b>										
3	511-330-197	Pilot Burner, Constant Burning	X	X	X	X	X	X	X	
	511-330-186	Pilot burner, Constant Burning								X
N/S	511-724-259	Thermopile, 36"								X
	590-850-561	5" lead Wire								X
4	560-742-860	Pilot Tubing, Aluminum ½ " OD x 22 ¾" Long With Compression Fittings	X	X	X	X	X	X	X	X
5	540-130-955	Wiring Harness For Water Boilers No Tankless Heater Only-Series 4	X	X	X	X	X	X	X	X
	540-130-956	Wiring Harness For Water Boilers With Tankless Heater Only-Series 4		X	X	X	X	X	X	
	540-130-957	Wiring Harness For Steam Boilers With Float LWCO Only-Series 4	X	X	X	X	X	X	X	X
	540-130-958	Wiring Harness For Steam Boilers With Probe LWCO Only-Series 4	X	X	X	X	X	X	X	X
	591-391-780	Control Wiring Harness-Series 3	X	X	X	X	X	X	X	X
N/S	510-811-395	Natural to LP Kit - (Includes Gas Valve, Burner w/ Pilot Bracket, Pilot Assembly w/ Tubing,Orifices, Thermocouple,Hardware, and Instructions)	X	X	X	X	X			
	510-811-396							X	X	
	510-811-397									X
	510-811-398	LP to Natural Kit - (Includes Gas Valve, Burner w/ Pilot Bracket, Pilot Assembly w/ Tubing, Orifices, Thermocouple, Hardware,and Instructions)	X	X	X	X	X			
	510-811-399							X	X	
	510-811-402									X

## EG - Series 2 Through 4 Intermittent Ignition Parts

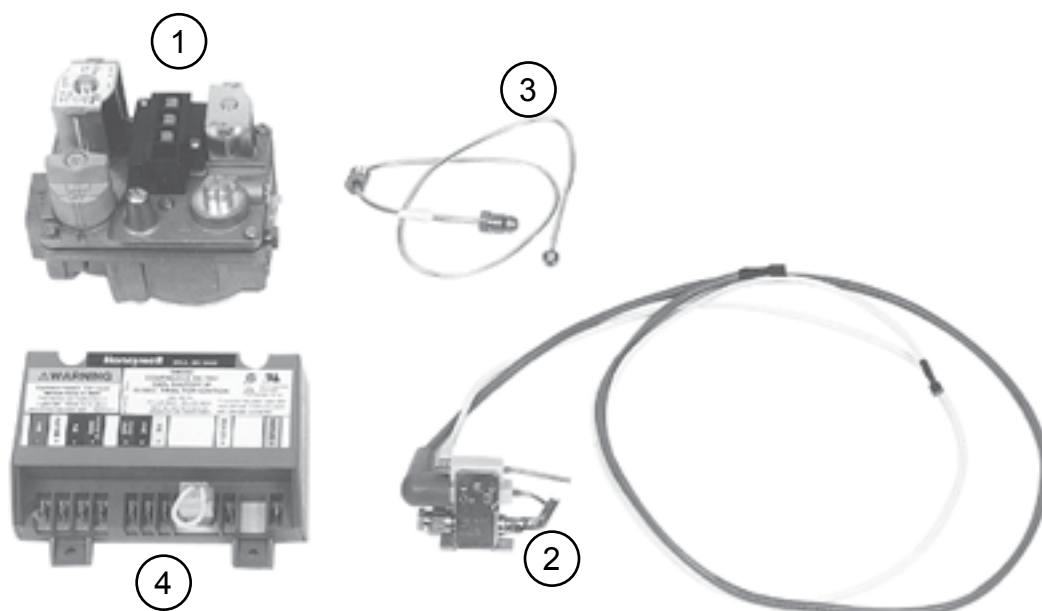


Fig. No.	Part No.	Description	Boiler Size							
			30	35	40	45	50	55	65	75
<b>White Rodgers Cycle Pilot / Honeywell Intermittent Ignition</b>										
NS	510-811-458	Conversion Kit From Cycle Pilot or Honeywell To United Technology Spark Pilot System. (Includes: Control Module, 1/2" Natural Gas Valve, Pilot Assembly, Wiring and Instructions)	X	X	X	X	X			
	510-811-459	Conversion Kit From Cycle Pilot or Honeywell To United Technology Spark Pilot System. (Includes: Control Module, 3/4" Natural Gas Valve, Pilot Assembly, Wiring and Instructions)							X	X
<b>United Technologies Universal Control System</b>										
1	511-044-381	Combination Gas Control Valve, 1/2" x 1/2" N.P.T., 24 Volt	X	X	X	X	X			
	511-044-382	Combination Gas Control Valve, 3/4" x 3/4" N.P.T., 24 Volt							X	X
2	511-330-218	Pilot Assembly Kit (Includes: Orifice, Aluminum Pilot Gas Tubing, And Spark Wire and Sense Wire)	X	X	X	X	X	X	X	X
3	560-742-860	Pilot Tubing With Compression Fittings, Aluminum, 1/8" x 22 3/4"	X	X	X	X	X	X	X	X
4	511-330-095	Ignition Sensing Control Module With 24 Volt Damper Molex (Replaces Honeywell S8620C1011)		X	X	X	X	X	X	X

EG - Series 2 Through 4  
Intermittent Ignition Parts Continued

Fig. No.	Part No.	Description	Boiler Size							
			30	35	40	45	50	55	65	75
<b>United Technologies Universal Control System Cont.</b>										
4	511-330-097	Ignition Control Module Without Molex, 24 Volt. Series 4 Only	X	X	X	X	X	X	X	X
N/S	540-130-959	Wiring Harness, For Water Boilers Without Tankless Heater Only-Series 4 Only	X	X	X	X	X	X	X	X
	540-130-960	Wiring Harness, For Water Boilers With Tankless Heater Only-Series 4 Only		X	X	X	X	X	X	
	540-130-961	Wiring Harness For Steam Boilers With Float LWCO Only-Series 4 Only	X	X	X	X	X	X	X	X
	540-130-962	Wiring Harness For Steam Boilers With Probe LWCO Only-Series 4 Only	X	X	X	X	X	X	X	X

## EG- Series 2 Through 4 Common Parts

Part No.	Description	Boiler Size							
		30	35	40	45	50	55	65	75
591-391-795	Damper Wiring Harness With Molex	X	X	X	X	X	X	X	X
510-512-337	Vent Damper Motor Operator With Molex Connector	X	X	X	X	X	X	X	X
		X	X	X	X	X	X	X	X
381-800-475	Vent Damper Assembly 5" Dia	X	X						
381-800-476	Vent Damper Assembly 6" Dia			X	X				
381-800-477	Vent Damper Assembly 7" Dia					X	X		
381-800-478	Vent Damper Assembly 8" Dia							X	X
512-050-230	Rollout Thermal Fuse 228° C	X	X	X	X	X	X	X	
510-300-013	Spill Switch With Reset, 210° F	X	X	X	X	X	X	X	
510-312-166	Combination Transformer-Relay Receptacle, 120/24v, 40va With Bale Wire	X	X	X	X	X	X	X	X
510-350-223	Plug-In Relay DPST, 24 Volt Coil	X	X	X	X	X	X	X	X

## EG - Series 2 & 3 Millivolt Parts

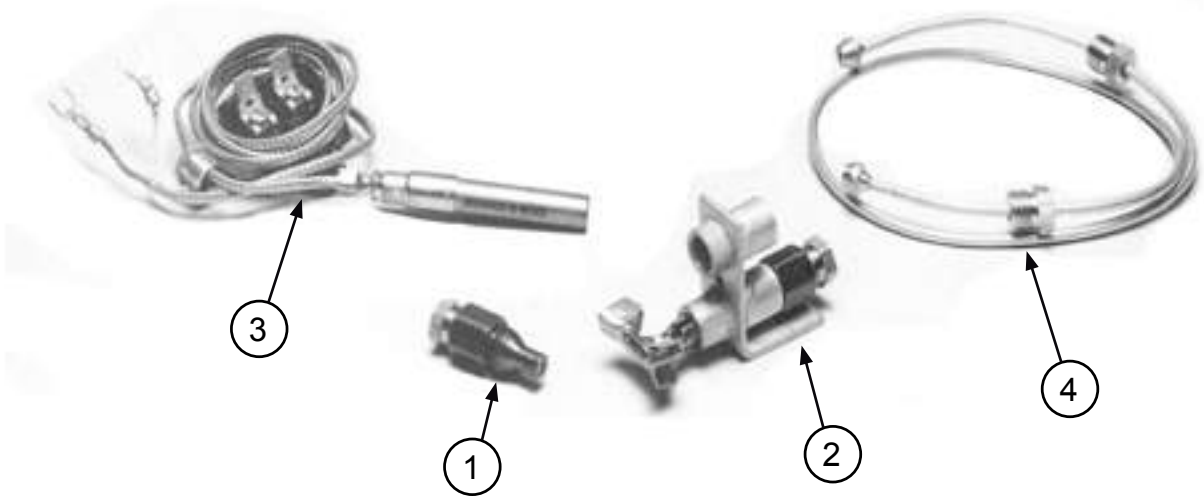


Fig. No.	Part No.	Description	Boiler Size							
			30	35	40	45	50	55	65	75
<b>Components For Natural Gas Only</b>										
1	560-528-950	Natural Gas Pilot Orifice, A26, 0.026 Dia. For Q327 Pilot Only	X	X	X	X	X	X	X	X
<b>Components For Propane Gas Only</b>										
1	560-528-957	Propane Gas Pilot Orifice, 0.010 Dia. For Q327 Pilot Only	X	X	X	X	X	X	X	X
<b>Components For Natural And Propane Gas</b>										
2	511-330-186	Pilot Burner, Constant Burning, Thermally Supervised	X	X	X	X	X	X	X	X
3	511-724-249	Powerpile Millivolt Generator, With Spade Terminal Block, 35" long	X	X	X	X	X	X	X	X
4	560-742-860	Pilot Tubing With Compression Fittings, 1/8" OD Aluminum, 22 3/4" long	X	X	X	X	X	X	X	X
N/S	381-800-001	Millivolt Repair Kit- Natural Gas Water Only- ( Includes Gas Valve, Pilot Burner, Thermopile, Aquastat, Hardware and Instructions )	X	X	X	X	X	X	X	
	381-800-002	Millivolt Repair Kit- Propane Gas Water Only- ( Includes Gas Valve, Pilot Burner, Thermopile, Aquastat, Hardware and Instructions )	X	X	X	X	X	X	X	

## EGH - Series 4 Intermittent Ignition LP Gas

Fig. No.	Part No.	Description	EGH Series 4 Boiler Size				
			85	95	105	115	125
N/S	511-246-320	¾" Hand Valve With ⅛" tapping	X	X			
	511-246-325	1" Hand Valve With ⅛" tapping			X	X	X
	511-044-278	LP Gas Valve, ¾" x 1" Spark Pilot	X	X			
	511-044-279	LP Gas Valve, 1" x 1" Spark Pilot			X	X	X
	511-330-222	LP Spark Pilot Burner (Includes: Sparker, Sensor, Wires, Pilot Tubing and Pilot Burner)	X	X	X	X	X
	560-742-865	⅛" x 34" Pilot Tubing For Spark Pilot Burner	X	X	X	X	X
	511-330-186	LP Standing Pilot Burner (Includes: Orifice and Pilot Burner & Bracket)	X	X	X	X	X
	560-528-957	Propane Gas Pilot Orifice, .010 Dia. (For Q0327 Pilot, Below)	X	X	X	X	X
	511-246-340	⅛" x ¼" Manual Pilot Shut Off Valve	X	X	X	X	X
	511-724-254	Thermocouple, Screw In, 30°	X	X	X	X	X
	511-330-229	Pilot Switch Box For Standing Pilot	X	X	X	X	X
<b>EGH - CSD-1 Intermittent Ignition Natural Gas Only</b>							
N/S	511-330-086	Control Module, 1 Retry With Alarm Contacts			X	X	X
	510-350-226	Impulse Relay			X	X	X
	511-624-580	Push Button Switch			X	X	X
	511-624-581	Red Lens Cover			X	X	X
		Lamp, 24 Volt--Available Locally			X	X	X
	511-044-287	Combination Gas Valve, 1" x 1", 24 Volt			X	X	X
	511-246-290	Hand Valve, 1"			X	X	X
	511-246-325	Hand Valve, 1" With Two ⅛" N.P.T Taps			X	X	X
	511-246-339	Pilot Shut-off Valve, ⅛" N.P.T x ¼" Compression			X	X	X
	510-933-195	Pilot Regulator, ¼" N.P.T			X	X	X
	511-044-039	Pilot Solenoid Valve ¼" N.P.T			X	X	X
	591-391-887	Wiring Harness, Gravity Return Steam			X	X	X
	540-130-976	Wiring Harness, Pumped Steam Return With Wiring Diagram					

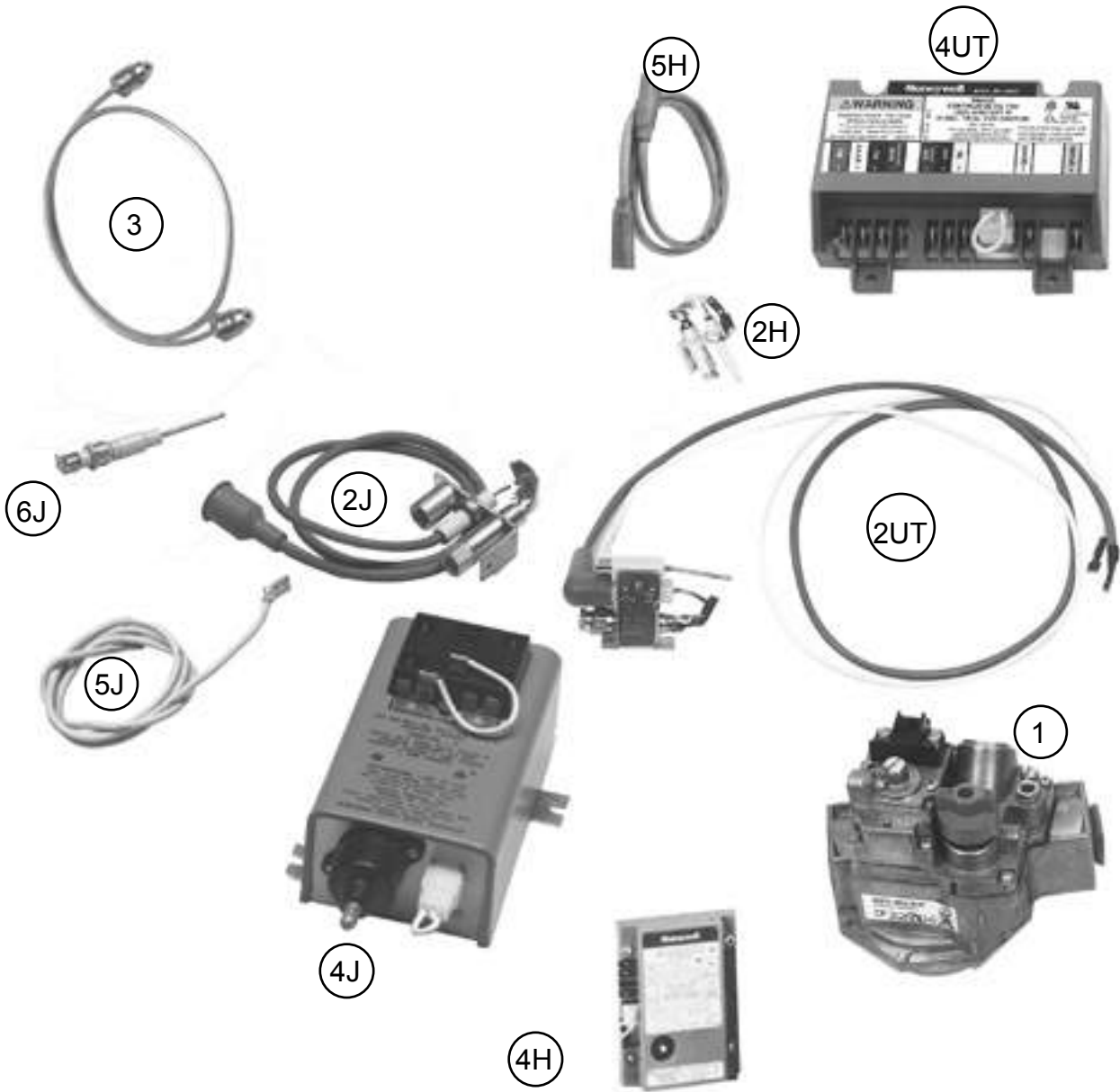


## EGH - Series 2 Through 4 Standing Pilot Parts



Fig. No.	Part No.	Description	Boiler size				
			85	95	105	115	125
<b>Components For Natural Gas Only</b>							
1	510-811-461	Thermocouple to Thermopile Conversion Kit (Includes: New Gas Valve, Thermopile, Lead Wire Assembly and Instructions)	X	X			
	510-811-641	Combination Gas Control Valve*, 3/4" X 1" N.P.T., 24 Volt, Thermopile Only	X	X			
2	560-528-950	Natural Gas Pilot Orifice, A26, .027"	X	X			
<b>Components For Propane Gas Only</b>							
1	510-811-462	Thermocouple to Thermopile Conversion Kit (Includes: New Gas Valve, Thermopile, Lead Wire Assembly and Instructions)					
	510-811-643	Combination Gas Control Valve*, 3/4" X 1" N.P.T., 24 Volt, Thermopile Only	X	X			
2	560-528-957	Propane Gas Pilot Orifice	X	X			
<b>Components For Natural Gas And Propane Gas</b>							
3	511-330-186	Pilot Burner (Constant Burning, Thermally Supervised)	X	X			
N/S	511-724-259	Thermopile, 36" In Length	X	X			
	590-850-561	5" Lead Wire With Terminals	X	X			
4	560-742-865	Pilot Tubing, 1/8" X 34" Long With Fittings	X	X			
N/S	510-811-397	Natural to Propane Conversion Kit (Includes Gas Valve, Orifices, Thermopile, and Instructions)	X	X			
	540-130-963	Wiring Harness For Water Boilers Without Tankless Heater Only	X	X			
	540-130-964	Wiring Harness For Steam Boilers With Float LWCO Only	X	X			
	540-130-965	Wiring Harness For Steam Boilers With Probe LWCO Only	X	X			
5	510-312-166	Combination Transformer & Relay Receptacle, 120/24 Volt, 40 VA With Bale Wire	X	X			
6	510-350-223	Plug In Relay, DPST, 24 Volt Coil	X	X			

### EGH - Series 2 Through 4 Intermittent Ignition



## EGH - Series 2 Through 4 Intermittent Ignition Parts

Fig. No.	Part No.	Description	Boiler size				
			85	95	105	115	125
<b>United Technologies Intermittent Ignition</b>							
2-UT	511-330-242	Pilot Burner Assembly Kit (Includes: Orifice, Pilot Burner, 34" Pilot Gas Tubing, Spark Wire and Sense Wire, and ¼" Adapter )	X	X	X	X	X
4-UT	511-330-095	Ignition-Sensing Control Module With Molex	X	X	X	X	X
<b>Honeywell Intermittent Ignition</b>							
2-H	511-330-170	Combination Safety Pilot Burner with Ignition-Sensing Electrode and Natural Gas Orifice	X	X	X	X	X
5-H	591-391-798	Ignition-Sensing Cable, 36"	X	X	X	X	X
<b>Johnson Intermittent Ignition</b>							
2-J	511-330-163	Pilot Burner (Includes: Ignition Electrode and Lead Cable, Sensing Probe and Lead Wire and Natural Gas Orifice)	X	X	X	X	X
5-J	511-724-270	Sensing Probe Lead Wire, 30" With Spade Receptacle	X	X	X	X	X
6-J	511-724-264	Sensing Probe With Spade Receptacle	X	X	X	X	X
<b>Common Intermittent Ignition Components</b>							
1	511-044-286	Combination Gas Valve ¾" X 1" N.P.T., Natural Gas, 24 Volt	X	X			
	511-044-287	Combination Gas Valve 1" X 1" N.P.T., Natural Gas, 24 Volt			X	X	X
3	560-742-865	Pilot Tubing ⅛" X 34" Long With Compression Fittings	X	X	X	X	X
4-J	510-811-457	Conversion Kit to United Technologies Control (Includes: Module, Wiring, Pilot Burner, and Instructions.) No Gas Valve, Only to Replace Honeywell or Johnson Controls	X	X	X	X	X
<b>Components For Series 4 Intermittent Ignition Only</b>							
4-H	511-330-097	Ignition Control Module Without Molex, 24 Volt	X	X	X	X	X
N/S	540-130-966	Wiring Harness For Water Boilers With-Out Tankless Heater Only	X	X	X	X	X
	540-130-969	Wiring Harness For Water Boilers With Tankless Heater Only	X	X	X	X	X
	540-130-967	Wiring Harness For Steam Boilers With Float LWCO Only	X	X	X	X	X
	540-130-968	Wiring Harness For Steam Boilers With Probe LWCO Only	X	X	X	X	X
	510-811-390	Natural to Propane Conversion Kit, EGH-85 & 95.(Includes: Gas Valve, Pilot Burner, Orifices, and Instructions)	X	X			
	510-811-391	Natural to Propane Conversion Kit, EGH-105-125.(Includes: Gas Valve, Pilot Burner, Orifices, and Instructions)			X	X	X

## EGH - Series 2 Through 4 Water Trim Parts



Fig. No.	Part No.	Description	Boiler size				
			85	95	105	115	125
<b>Temperature Controls For Standard Model Boilers</b>							
1	510-312-150	Combination Operating Limit (140-240°F Range) and Fixed High Limit (240° F) Temperature Control, Auto Recycle, DPST, With ½" Well. Furnished With Wire Leads For Connection To Thermocouple Spade Terminal Block	X	X			
<b>Temperature Controls For PI And PID Boilers Without Tankless Heaters</b>							
2	510-312-250	Operating Temperature Control, SPST, Auto Recycle, 140-240°F Subtractive Differential With ½" N.P.T Well	X	X	X	X	X
	510-312-209	High Limit Temperature Control SPST, Automatic Recycle, 140-240°F, 10°F Fixed Subtractive Differential With ¾" N.P.T well	X	X	X	X	X
<b>Temperature Controls For Standard Model, PI And PID Boilers With Tankless Heaters</b>							
N/S	510-312-249	Combination High / Low Limit / Circulator Control With Transformer. High Limit: SPST Automatic Recycle, 140-240°F Range, 10°F Subtractive Differential. Low Limit / Circulator Control: SPDT, Automatic Recycle, 100-200°F Range, 10-35°F Adjustable Differential	X	X	X	X	X
	592-300-027	Immersion Well, ¾" N.P.T. X 6.25" In Length	X	X	X	X	X
<b>Water Trim Components Common To All Boilers</b>							
3	383-600-091	ASME Pressure Relief Valve (Set To Relieve At 30 PSIG, ¾" N.P.T, Female Inlet)	X	X	X	X	X
4	510-218-097	Combination Pressure-Temperature Gauge 2½ " Dial, 0-60 PSIG, Long Shank, ¼" N.P.T Back Connection	X	X	X	X	X
5	511-210-423	Drain Valve, ¾" N.P.T, 1½" Shank	X	X	X	X	X

EGH - Series 2 Through 4  
Water Trim Continued

<b>Water Trim Components Common To All Boilers</b>							
N/S	590-921-901	Tankless Heater for EGH 85-125 Water Boiler (Includes: Heater, Gasket, Nuts and Studs)	X	X	X	X	X
	590-317-495	Tankless Gasket, Round	X	X	X	X	X

## EGH - Series 2 Through 4 Steam Trim Parts

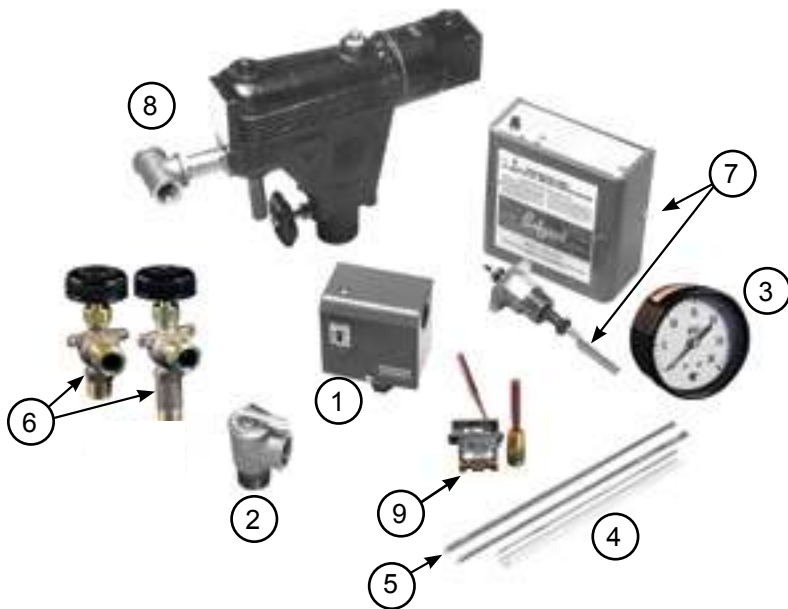


Fig. No.	Part No.	Description	EGH Series 4 Boiler Size				
			85	95	105	115	125
<b>Trim For All EGH Steam Boilers</b>							
1*	510-312-135	High Pressure Limit Control, SPST, Auto Recycle, 0-15 PSIG Range, 1-5 PSIG Additive Differential, ¼" N.P.T. Bottom Connection	X	X	X	X	X
2	383-600-105	Steam Relief Valve, 15 PSIG, With ¾" N.P.T. Male Inlet--450 LBH	X	X	X	X	X
3	510-218-045	Steam Pressure Gauge 0-30 PSIG, 2½" Dial, ¼" N.P.T. Bottom Mount	X	X	X	X	X
4	383-600-000	Water Gauge Glass Kit, ⅝" x 7⅞" With Gaskets and Brass Washers	X	X	X	X	X
5	563-334-580	Water Gauge Glass Guard, ⅝" x 9⅞" (2 Required)	X	X	X	X	X
N/S	511-210-423	Drain Valve, ¾" N.P.T. 1½" Shank	X	X	X	X	X
<b>Probe Type Low Water Cut-off Components For EGH Steam Boilers</b>							
6	510-218-145	Water Gauge Glass Cocks, Set, ½" N.P.T., Male Inlet, Long Stem	X	X	X	X	X
7*	511-114-515	Low Water Cut-off, SPDT, ¼" Male Electrode Type, 24 volt, Series 4 Only	X	X	X	X	X
	510-811-403	Low Water Cut-Off, SPDT, ¼" Male Electrode Type, 24 Volt	X	X	X	X	X
<b>Float Type Low Water Cut-Off Components For EGH Steam Boilers</b>							
6	510-218-135	Water Gauge Glass Cocks, ½" N.P.T. (Set of 2)	X	X	X	X	X
8	511-114-494	Float Type Low Water Cut-Off, SPDT, With Automatic Recycle, 15 PSIG, 120/24 Volt, ½" N.P.T With Quick Hook-Up Fittings)	X	X	X	X	X
<b>* Alternate Components</b>							
<b>* Two High Limits Used With EGH-85 and EGH-95 Standing Pilot Steam Boilers</b>							

EGH - Series 2 Through 4  
Steam Trim Parts Continued

<b>Tankless Heater Operating Temperature Control For EGH Steam Boilers</b>							
9	510-312-250	Operating Temperature Control, SPST, Auto Recycle, 140-240°F Subtractive Differential With ½" N.P.T. Well	X	X	X	X	X
			X	X	X	X	X
N/S	590-921-903	Tankless Heater – Steam Boiler (Includes: Heater, Gasket, Nuts And Studs)	X	X	X	X	X
	590-317-579	Gasket for Tankless Heater Opening	X	X	X	X	X

## EGH - Series 2 Through 4 Common Component Parts

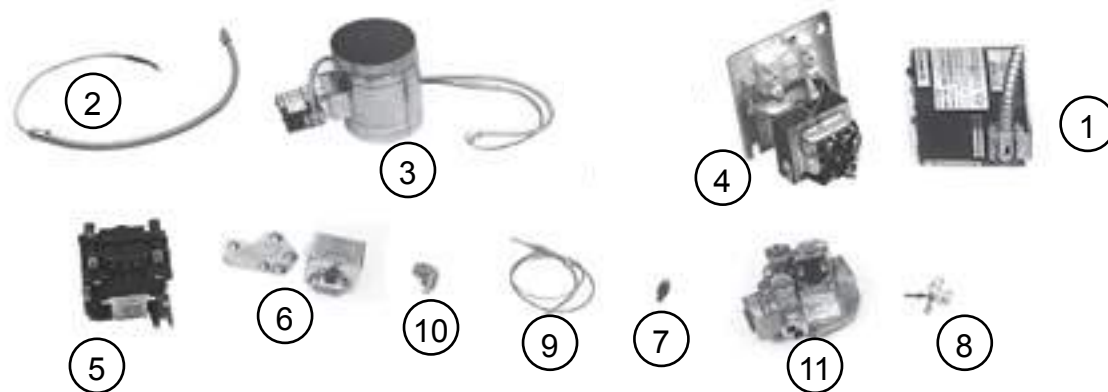


Fig. No.	Part No.	Description	Boiler size				
			85	95	105	115	125
<b>Vent Dampers And Components</b>							
1	510-512-337	Vent Damper Motor Operator With Molex	X	X	X	X	X
2	591-391-795	Damper Wiring Harness With Molex	X	X	X	X	X
3	381-800-445	Vent Damper Assembly With Wiring Harness, 9" Dia.	X				
	381-800-446	Vent Damper Assembly With Wiring Harness, 10"Dia.		X	X		
	381-800-447	Vent Damper Assembly With Wiring Harness, 12"Dia.				X	X
<b>Combination Transformer Relay Receptacle</b>							
4	510-312-166	Combination Transformer & Relay Receptacle, 120/24 Volt, 40 VA	X	X	X	X	X
<b>Plug-In Relay</b>							
5	510-350-223	Plug-In Relay DPST, 24 Volt Coil	X	X	X	X	X
<b>Propane Components For EGH-PI Models</b>							
6	511-330-229	Pilot Switch Box	X	X	X	X	X
7	560-528-957	Propane Orifice .010 Dia.(For Q327/Q348 Pilot) K14	X	X	X	X	X
8	511-330-186	Standing Pilot Burner	X	X	X	X	X
9	511-724-254	Thermocouple Lead, 30" Screw In	X	X	X	X	X
10	511-246-340	Manual Shut-off Pilot Gas Valve, 1/8" N.P.T x 1/4" CC	X	X	X	X	X
11	511-044-278	Combination Gas Control Valve, 3/4" x 1" N.P.T., 24 Volt (Propane gas)	X	X			



# NOTES

## AHE - Series 2 & 3 Section Assembly Parts

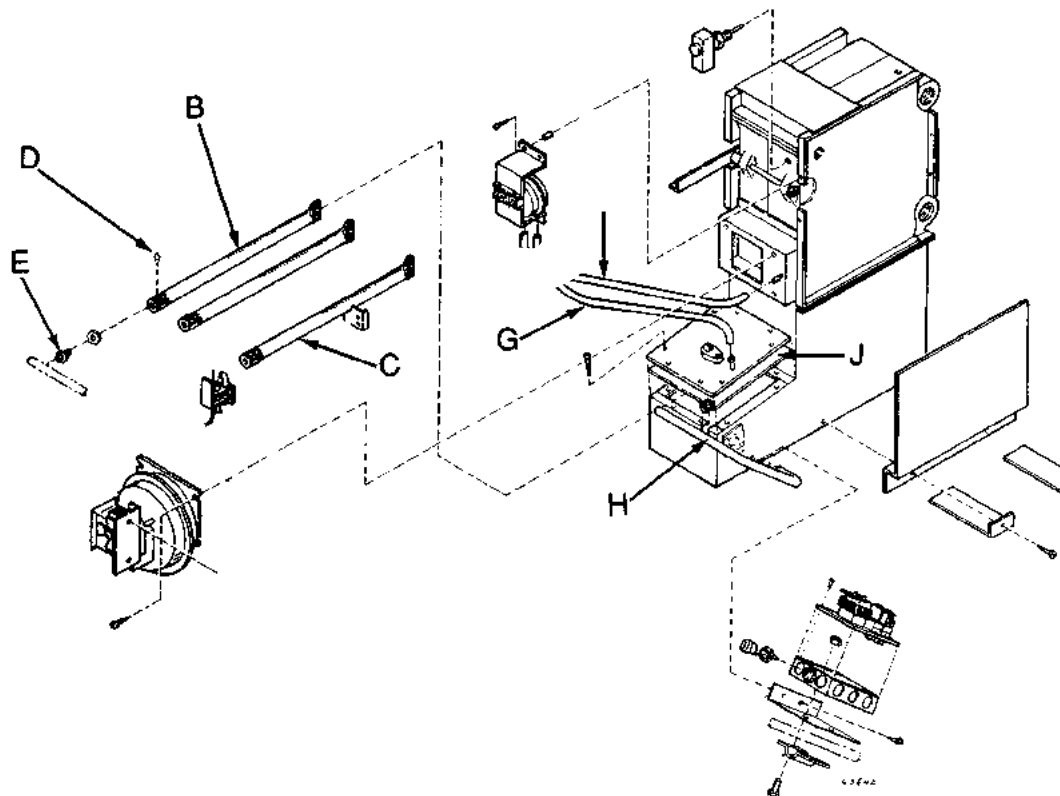


Fig. No.	Part No.	Description	Series No.
B	512-200-077	Burner, Tubular Steel, Regular	2,3
C	512-200-045	Burner, Tubular Aluminum With Pilot Bracket	2,3
D	562-610-325	Hair Pin Clip	2,3
E	560-529-018	Main Burner Orifice, Natural Gas, No. 48 Drill Size (Order Sufficient Quantities To Replace All Orifices Within a Base)	3
	560-529-019	Main Burner Orifice, Propane Gas, 1.15 mm Drill Size (Order Sufficient Quantities To Replace All Orifices Within a Base)	3
H	591-126-573	Burner Manifold - AHE-60	2,3
J	590-317-605	Gasket, Burner Inlet Plenum Cover, 6" x 6" - AHE-45	2,3
	590-317-606	Gasket, Burner Inlet Plenum Cover, 6" x 9" - AHE-60	2,3
N/S	590-317-603	Gasket, Exhaust Box To Blower	2,3
	590-317-602	Gasket, Air Box to Burner Inlet	2,3
	592-002-029	Touch Up Paint - Gold - Low E, 4.5oz Can	

**Note: AHE-45 has 3 burners, AHE-60 has 4 burners. If cycle pilot, replace 1 of the aforementioned burners with a burner and pilot bracket.**

## AHE - Series 2 & 3 Blower / Ignition Control Parts

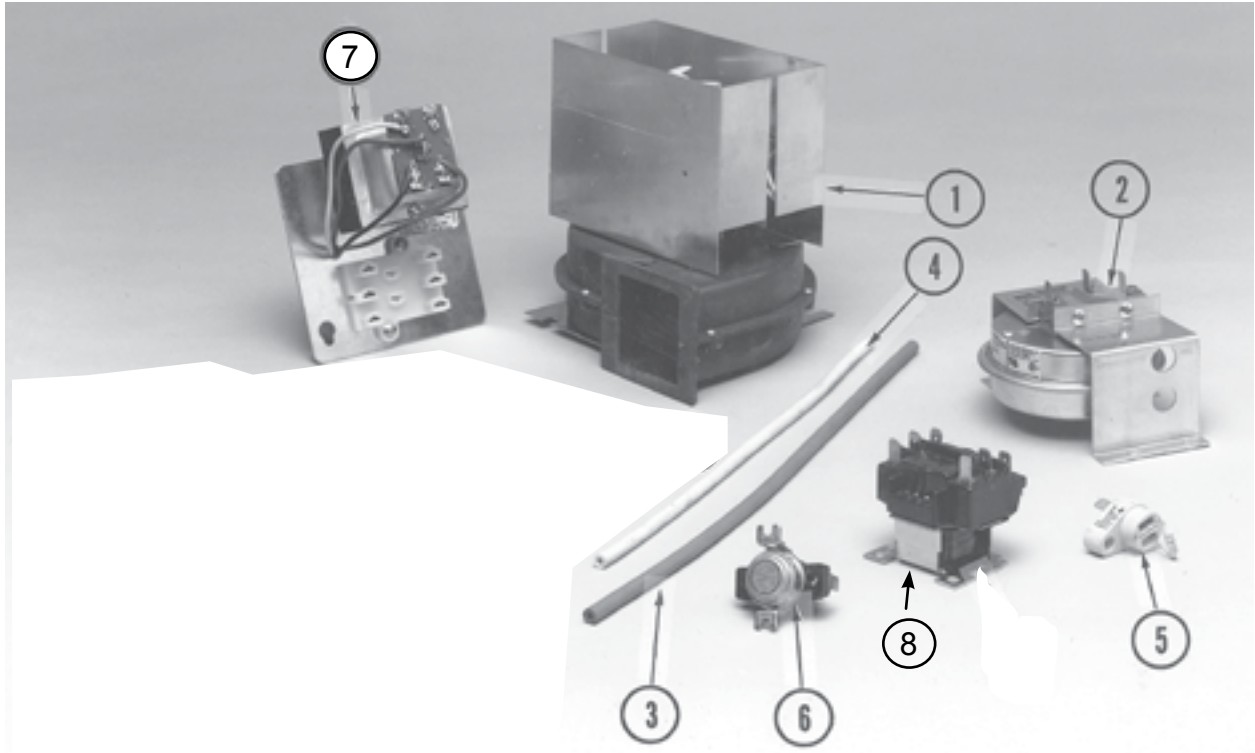


Fig No.	Part No.	Description	Boiler Size
1	510-811-466	Blower and Motor Assembly Replacement Kit (Includes: Blower Housings Left & right Mounting Plate, Blower Wheel, Blower Motor 120/60/1, Motor Fan, Guard) Series 2 & 3	45,60
2	511-624-530	Differential Pressure Switch, SPST Switch Action, 0.35" W.C. Setting, Sea Level to 4,000 ft. Elevation, Series 2 & 3	45 45
	511-624-532	Differential Pressure Switch, SPST Switch Action, 0.30" W.C. Setting, Sea Level to 4,000 ft. Elevation, Series 2 & 3	60 60
3	590-317-636	Pressure Differential Switch Tubing, 1/8" ID x 14 1/2", Red, Series 2 & 3	45,60
4	590-317-632	Pressure Differential Switch Tubing, 1/8" ID x 7", White, Series 2 & 3	45,60
5	512-050-235	Thermal Rollout Fuse, 250° F, Series 2 & 3	45,60
6	510-350-062	Low Water Cut-Off Temperature Control Device, 240° F Setting, SPST Switch Action, Manual Reset (Red Manual Reset Push Button), Series 2 & 3	45,60
			45,60
7	510-312-166	Combination Transformer-Relay Receptacle, 120/24 Volt, 40VA (With Bale Wire), Series 2 & 3	45,60
			45,65
			45,65
			45,65
Fig No.	Part No.	Description	Boiler Size
8	510-350-223	Plug-In Relay, DPST, 24 Volt Holding Coil, Series 2 & 3	45,65
			45,65
			45,65
			45,65

AHE - Series 2  
Gas Control Parts  
White-Rodgers Cycle Pilot Ignition System

Part No.	Description	Boiler Size
511-330-122	Combination Safety Pilot Burner With Ignition Electrode and Ignition Lead Cable, 30"	45,60
560-742-860	Pilot Tubing, 1/8" O.D. Aluminum X 22 3/4" long, With Compression Fittings	45,60

**Note: No other cycle pilot parts available through Weil-McLain.**

## AHE - Series 3 Gas Control Parts

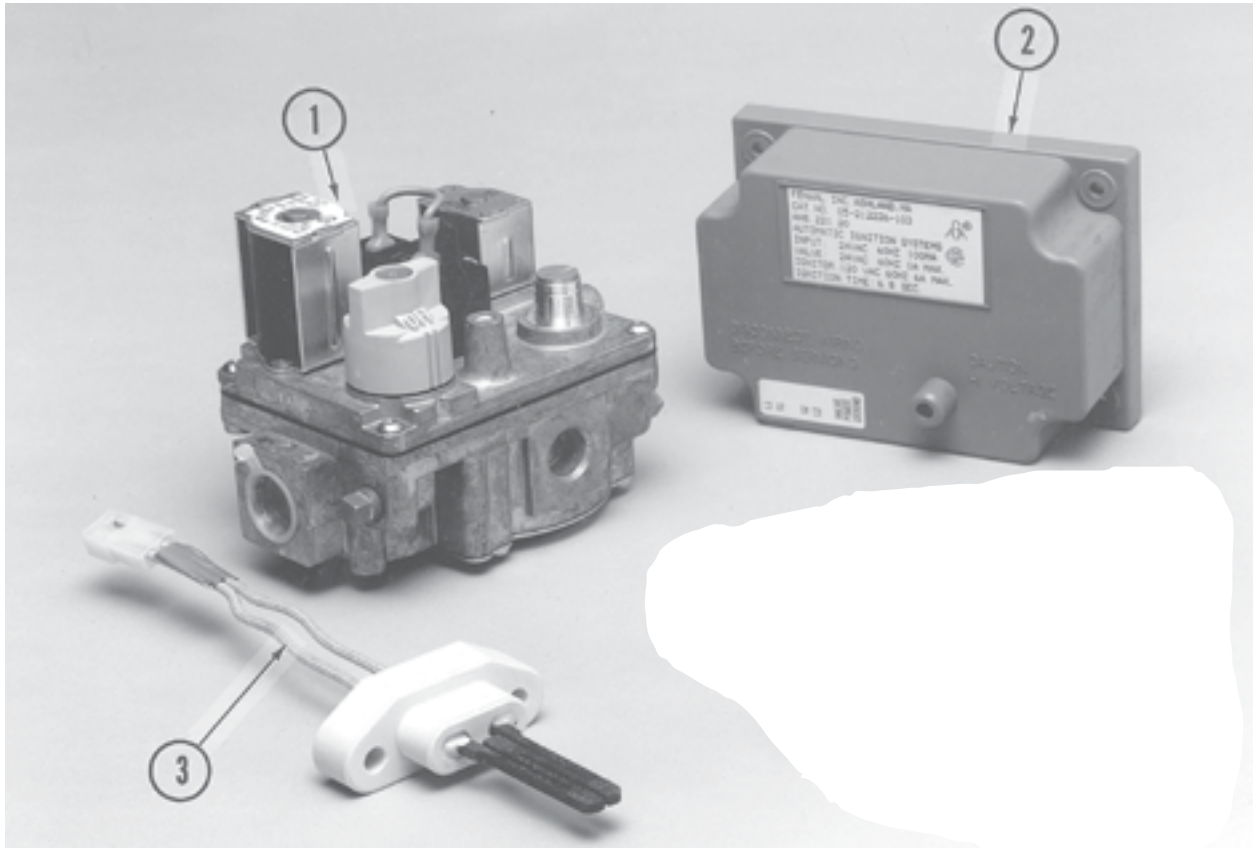


Fig No.	Part No.	Description	Boiler Size
1	381-400-170	Gas Valve Replacement Kit, Natural Gas, HSI	45,60
			45,60
			45,60
	381-400-173	Gas Valve Replacement Kit, Propane Gas, HSI	45,60
			45,60
			45,60
2	510-811-476	Retrofit kit from Fenwal 05-21 or 05-31 To Fenwall 35-655505-011 (Includes: Module, Igniter Replacement Kit, Wiring, Hardware and Instructions)	45,60
3	511-330-148	Igniter Replacement Kit (Includes: Igniter, Gasket, Screws)	45,60
N/S	570-330-155	Fenwall 35-655505-011 Ignition Sensing Control Module Only. See Retrofit Kits Above For Retrofitting	45,60

## AHE - Series 2 & 3 Water Trim Parts



Fig No.	Part No.	Description	Boiler Size
1	510-312-009	High Limit Temperature Control, Control Obsolete, (Call Weil-McLain Technical Service At 800-526-6636 For Further Information)	45, 60
2	383-600-090	ASME Pressure Relief Valve, Set To Relieve At 50 PSIG, ¼" N.P.T. Male Inlet, Brass, Side Outlet, Series 3 Only	45,60
		ASME Pressure Relief Valve, Set To Relieve At 30 PSIG, ¼" N.P.T. Male Inlet, Brass, Side Outlet, Series 2 Only	45,60
		ASME Pressure Relief Valve, Set To Relieve At 30 PSIG, ¼" N.P.T. Male Inlet, Brass, Side outlet, Series 2 Only	45,60
3	510-218-099	Combination Pressure-Temperature Gauge, 2½" Dial, 0-60 PSIG, 60-260°F, Short Shank, Back Connection, ¼" N.P.T, Series 2 & 3	45,60 45,60
4	511-210-423	Drain Valve, ¼" N.P.T., Brass Series 2 & 3	45,60
5	510-148-563	Automatic Air Vent, Float Type, ¼" N.P.T., Series 2 & 3	45,60
6	511-405-006	Circulator Cartridge (Includes: Gaskets and Hardware) Series 2 & 3	45,60
7	590-317-535	Circulator Gasket, Series 2 & 3	45,60
8	381-354-530	Circulator Hardware Kit, ¼" Universal, Series 2 & 3	45,60

## AHE - Series 4 Base Assembly Parts

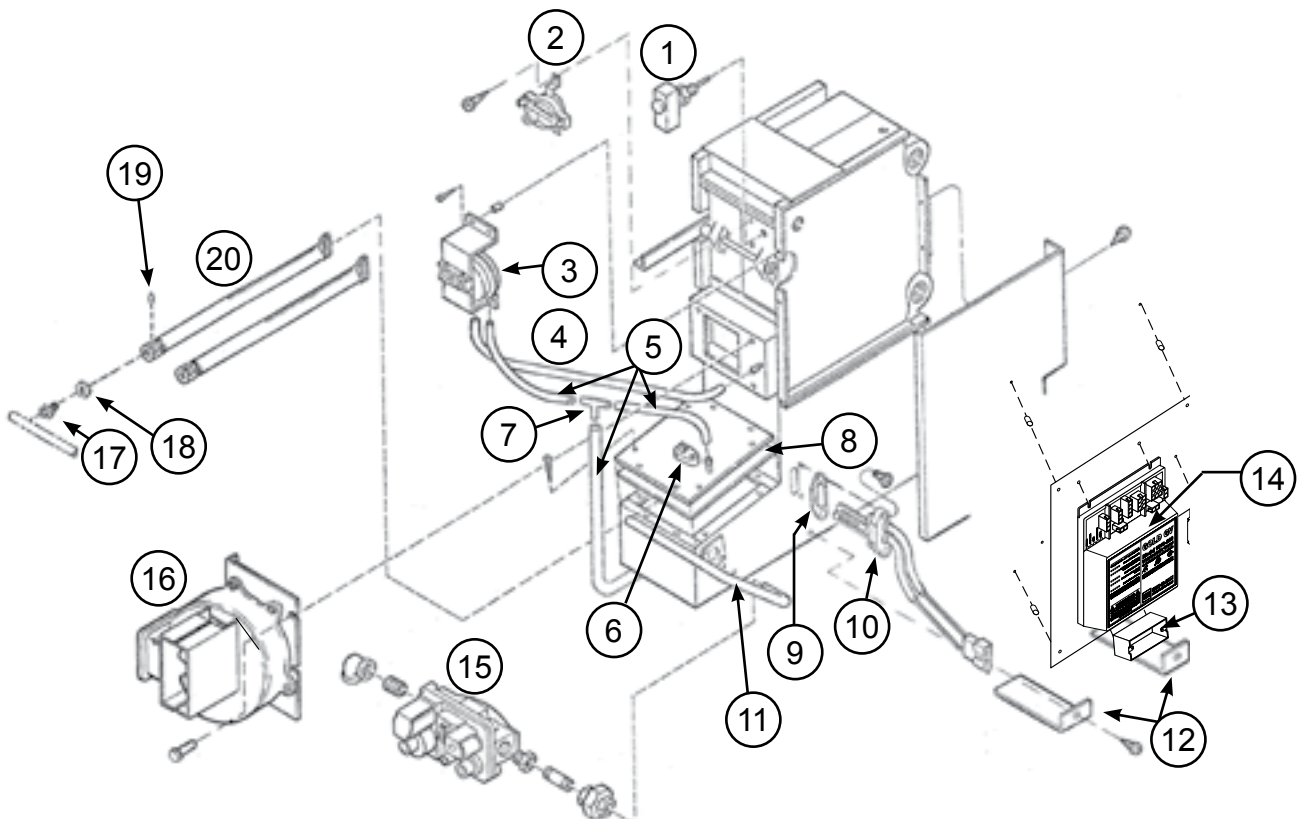


Fig No.	Part No.	Description
1	510-312-009	Limit Control, 120-240°, 10° Fixed Differential, With 5/16" Well
2	510-350-062	Block Temperature Switch
3	511-624-530	Pressure Switch -.35" W.C. (AHE-45)
	511-624-532	Pressure Switch -.30" W.C. (AHE-60)
4	590-317-632	Silicone Tubing, White 7.00"
	590-317-645	Silicone Tubing, Red 6.00"
5	590-317-631	Silicone Tubing, Red 12.00"
	590-317-636	Silicone Tubing, Red 14.50"
6	512-050-235	Rollout Thermal Fuse Element 121°C/250°F
7	Obtain Locally	Tee, 1/8" x 1/8" x 1/8"
8	590-317-605	Gasket, Burner Inlet Plenum Cover (AHE-45)
	590-317-606	Gasket, Burner Inlet Plenum Cover (AHE-60)
9	590-317-599	Gasket Igniter
10	511-330-148	Igniter With gasket
11	591-126-573	Burner Manifold AHE-60-10.63"
N/S	Obtain Locally	Junction Box, 4" x 2.12"
12	450-030-769	Bottom Insulation Retainer

## AHE - Series 4 Base Assembly Parts Continued

Fig No.	Part No.	Description
13	511-842-370	24 Volt Step Down Transformer, 40 VA
14	382-200-448	Control Module Kit (Includes: Module, Circulator Harness and Temperature Jumper)
N/S	591-391-831	Wiring Harness, Control
15	511-044-367	Gas Valve, Natural Gas, ½" x ½"
	511-044-373	Gas Valve, Propane Gas, ½" x ½"
16	510-811-466	Blower Motor Assembly
17	560-529-018	Main Burner Orifice #48 Hole, Natural Gas
	560-529-019	Main Burner Orifice 1.15 mm Hole, LP
18	Obtain Locally	Nut, Hex Jam, ½" 0-20
19	562-610-325	Clip Hairpin
20	512-200-077	Main Burner, Stainless Steel
N/S	592-002-029	Touch Up Paint - Gold - Low E, 4.5oz Can

**Note:****AHE-45: 3 burners****AHE-60: 4 burners**



## AHE - Series 4 Water Trim Parts

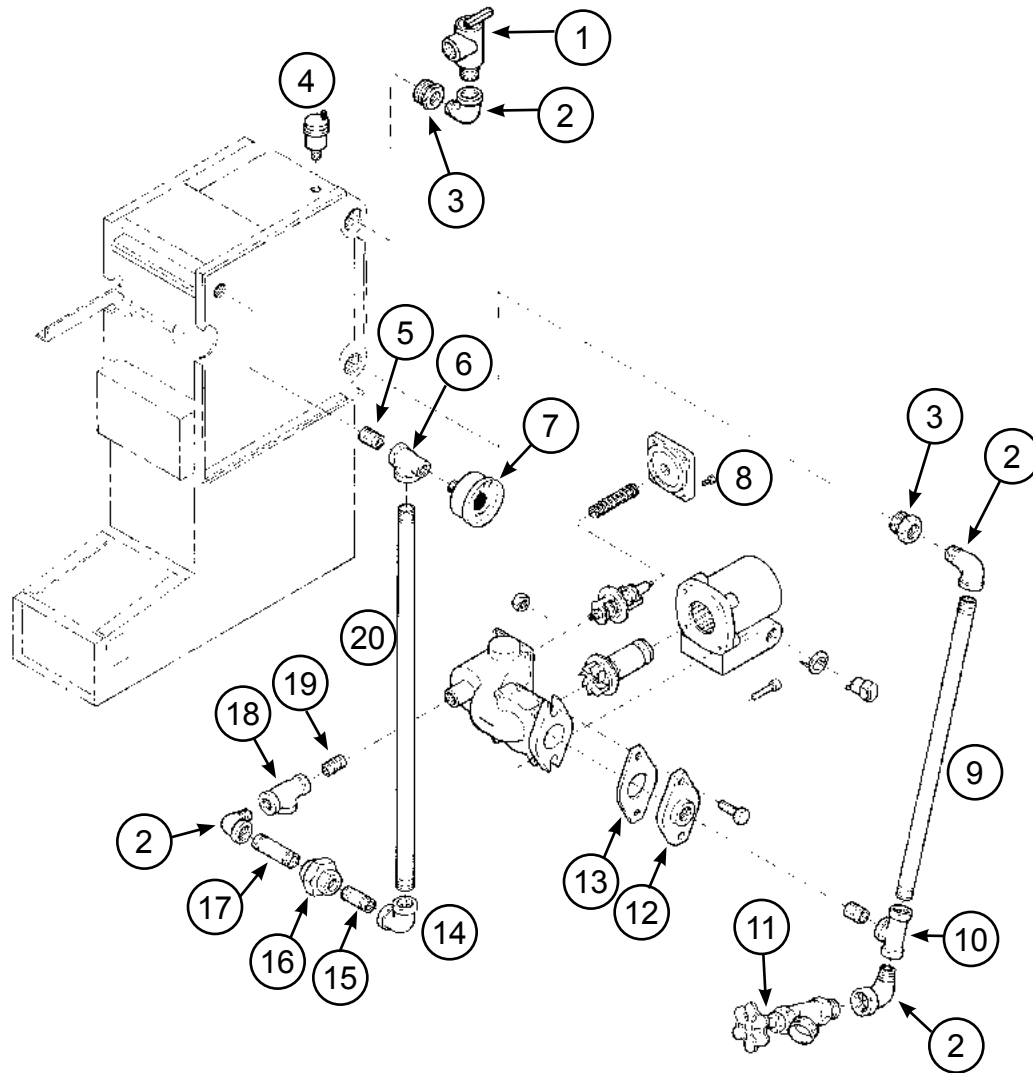


Fig No.	Part No.	Description
1	383-600-090	Relief Valve, 3/4"
2	Obtain Locally	Street Elbow, 3/4", Black
3		Bushing, 1 1/2" x 3/4" Black, Inside Hex
4	510-148-563	Air Vent
5	Obtain Locally	3/4" x Close, Black (AHE-45)
6		3/4" x 4 1/2" ,Black (AHE-60)
7	510-218-099	Combination Temperature-Pressure Gauge, Short Shank
8	511-405-008	Circulator Pump With Mixing Valve - <b>Obsolete Call Technical Services At 800-526-6636</b>

## AHE - Series 4 Water Trim Parts Continued

Fig No.	Part No.	Description
N/S	591-391-902	Wire Harness With Temperature Sensor Plug For Circulator
	511-405-006	Circulator Cartridge With Gaskets and Hardware
	Obtain Locally	Strain Relief Bushing
		Strain Relief Adapter
9	Obtain Locally	Nipple, $\frac{3}{4}$ " x 13 $\frac{1}{2}$ ", Black
10		Tee, $\frac{3}{4}$ ", Black
11	511-210-423	Drain Valve, $\frac{3}{4}$ " x 1 $\frac{1}{2}$ " Shank
	511-246-392	Drain Valve, $\frac{3}{4}$ " x 1 $\frac{1}{2}$ " Shank
12	381-354-530	Pump Flange Kit, $\frac{3}{4}$ " (Includes: 1 Flange, Gasket, 2 Bolts, 2 Nuts)
13	590-317-535	Pump Flange Gasket
14	Obtain Locally	Elbow, $\frac{3}{4}$ ", Black
15		Nipple, $\frac{3}{4}$ " x 2 $\frac{1}{2}$ ", Black
16		Union, $\frac{3}{4}$ ", Black
17		Nipple, $\frac{3}{4}$ " x 3", Black (AHE-45)
		Nipple, $\frac{3}{4}$ " x 6", Black (AHE-60)
18		Tee, $\frac{3}{4}$ " x $\frac{1}{2}$ " x $\frac{3}{4}$ ", Black
19		Nipple, $\frac{1}{2}$ " x Close, Black
20		Nipple, $\frac{3}{4}$ " x 22 $\frac{1}{2}$ ", Black

# NOTES

## LGB - Series 1 Water Trim Parts

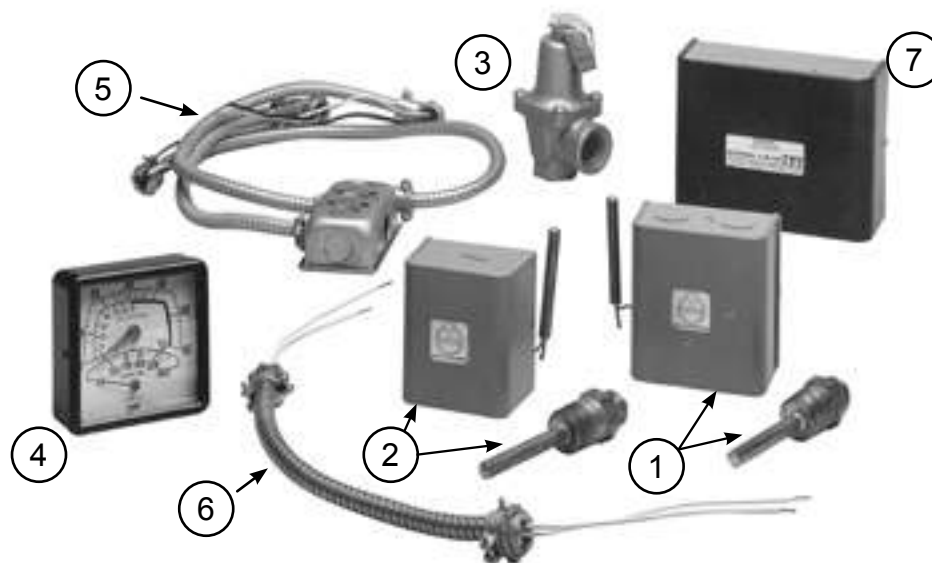


Fig. No.	Part No.	Description	Boiler Size
1	510-312-065	Combination Operating and High Limit Control, DPST, Automatic Recycle, With $\frac{3}{4}$ " N.P.T. Control Well. Operation Limit: 100 - 220° Range With 10-35°F Adjustable Subtractive Differential. High Limit: 140-240°F Range With 10°F Fixed Subtractive Differential.	6 - 20
2	510-312-209	High Limit Temperature Control, SPST Automatic Recycle, 140-240°F Range, 10°F Fixed Subtractive Differential With $\frac{3}{4}$ " N.P.T. Control Well (Separate Controls Used for Operating and High Limit Function For LGB-21 Through LGB-23 Boilers)	21 - 23
3	383-600-091	ASME Pressure Relief Valve, Set To Relieve At 30 PSIG, $\frac{3}{4}$ " N.P.T. Male Inlet x $\frac{3}{4}$ " N.P.T. Female Outlet; Side Outlet Type	4 - 5 4 - 5
	383-600-063	ASME Pressure Relief Valve, Set To Relieve At 30 PSIG, $\frac{3}{4}$ " N.P.T. Male Inlet x 1" N.P.T. Female Outlet; Side Outlet Type	6 - 9
	383-600-092	ASME Pressure Relief Valve, Set To Relieve At 30 PSIG, 1" N.P.T. Male Inlet x 1 $\frac{1}{4}$ " N.P.T. Female Outlet; Side Outlet Type	10 - 13
	383-600-093	ASME Pressure Relief Valve, Set To Relieve At 30 PSIG, 1 $\frac{1}{4}$ " N.P.T. Male Inlet x 1 $\frac{1}{2}$ " N.P.T. Female Outlet; Side Outlet Type	14 - 20
	383-600-094	ASME Pressure Relief Valve, Set To Relieve At 30 PSIG, 1 $\frac{1}{2}$ " N.P.T. Male Inlet x 2" N.P.T. Female Outlet; Side Outlet Type	21 - 23
4	510-218-065	Combination Pressure-Temperature Gauge, 0-50 PSIG, 60-260°F Back Connection, $\frac{1}{2}$ " N.P.T.	All Sizes
5	591-319-793	Temperature Control Wiring Harness	21 - 23
6	591-319-801	Water Trim Wiring Harness	6-23
7	511-114-528	Electrode Type Low Water Cut-Off, 120 Volt, SPDT, Automatic Recycle, 160 PSIG Rated, $\frac{1}{2}$ " N.P.T. Male Electrode	All Sizes

## LGB - Series 1 Steam Trim Parts



Fig. No.	Part No.	Description	LGB Boiler Size
1	510-312-135	High Limit Steam Pressure Control, SPST, Auto Recycle, 0-9 PSIG Range, 0-5 PSIG Adjustable Additive Differential, Bottom Connection, 1/4" N.P.T. Male	All Sizes
2	383-600-107	ASME Steam Safety Relief Valve, Set To Relieve At 15 PSIG, Side Outlet, 1" N.P.T. Male Inlet x 1" N.P.T. Female Outlet, 643 lbs/hr Capacity	4 - 7
	383-600-108	ASME Steam Safety Relief Valve, Set To Relieve At 15 PSIG, Side Outlet, 1 1/2" N.P.T. Male Inlet x 1 1/2" N.P.T. Female Outlet, 1200 lbs/hr Capacity	8 - 12
	383-600-109	ASME Steam Safety Relief Valve, Set To Relieve At 15 PSIG, Side Outlet, 1 1/2" N.P.T. Male Inlet x 2" N.P.T. Female Outlet, 1900 lbs/hr Capacity	13 - 19
	383-600-110	ASME Steam Safety Relief Valve, Set To Relieve At 15 PSIG, Side Outlet, 2" N.P.T. Male Inlet x 2" N.P.T. Female Outlet, 2500 lbs/hr Capacity	20 - 23
3	510-218-100	Combination Pressure-Vacuum Gauge, 0-30PSIG, 0-30" HG., 4 1/2" Dial, Bottom Connection, 1/4" N.P.T. Spec 04459	All Sizes
4	383-600-002	Water Gauge Glass Kit, 5/8" x 10 5/8" With Gaskets and Brass Washers	All Sizes
5	563-334-595	Water Gauge Glass Guard, 3/16" Dia. X 12 1/2" Long (2 Per Gauge Glass)	All Sizes
6	510-218-145	Water Gauge Glass Cocks, Set, 1/2" N.P.T. Male Inlet	All Sizes
7	511-114-474	Float Type Low Water Cut-off, Automatic Recycle, 14 PSIG Rated, 1" N.P.T.	All Sizes
8	591-319-800	Steam Trim Wiring Harness	All Sizes

## LGB - Series 1 Main Gas Train Control Parts Natural Gas



**Table 1 – LGB Main Gas Control Trains Arrangement**

LGB Series 1 Boiler Size	Main Gas Control Trains		LGB Series 1 Boiler Size	Main Gas Control Trains	
	7.0" W.C. Natural Gas Supply Pres- sure	5.0" W.C. Natural Gas Supply Pressure		7.0" W.C. Natural Gas Supply Pressure	5.0" W.C. Natural Gas Supply Pressure
LGB-6	AB	AB	LGB-15	J	J
LGB-7	AB	AB	LGB-16	J	J
LGB-8	CD	CD	LGB-17	J	J
LGB-9	CD	CD	LGB-18	K	K
LGB-10	EFG	E	LGB-19	L	M
LGB-11	EFG	FG	LGB-20	L	N
LGB-12	EFG	FG	LGB-21	*L	*O
LGB-13	H	H	LGB-22	*L	*O
LGB-14	I	I	LGB-23	*L	*O

\*With Special Control Carton ( Includes Gas Pressure Switch, Switch Bracket, Connecting Tubing)

**Table 2 – LGB Main Gas Control Trains Individual Components**

Fig. No.		MAIN GAS CONTROL TRAINS																			
		7" W.C. Natural Gas Supply Pressure								5" W.C. NATURAL Gas Supply Pressure											
		AB	C	D	E	F	H	I	J	K	L	AB	CD	E	F	H	I	J	K	M	N
1	Manual Main Shut-Off Gas Valve, 1" N.P.T.	X	X				X	X	X	X											
	Manual Main Shut-Off Gas Valve, 1¼" N.P.T.				X					X	X	X	X			X	X	X	X		
	Manual Main Shut-Off Gas Valve, 1½" N.P.T.													X					X	X	X
	Manual Main Shut-Off Gas Valve, 2" N.P.T.														X					X	X
2	Safety Gas Valve 1" N.P.T.	X	X				X	X	X	X											
	Safety Gas Valve 1¼" N.P.T.				X						X	X	X			X	X	X	X		
	Safety Gas Valve 1½" N.P.T.													X	X				X	X	X
3	Combination Gas Control Valve, 1" N.P.T.	X	X				X	X	X	X											
	Combination Gas Control Valve, 1¼" N.P.T.				X						X	X	X			X	X	X	X		
	Combination Gas Control Valve, 1½" N.P.T.													X	X				X	X	X

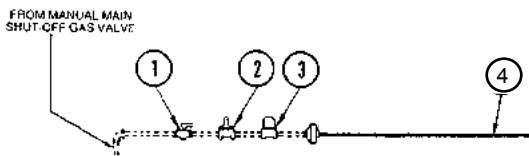
LGB - Series 1  
Main Gas Train Control Parts  
Natural Gas



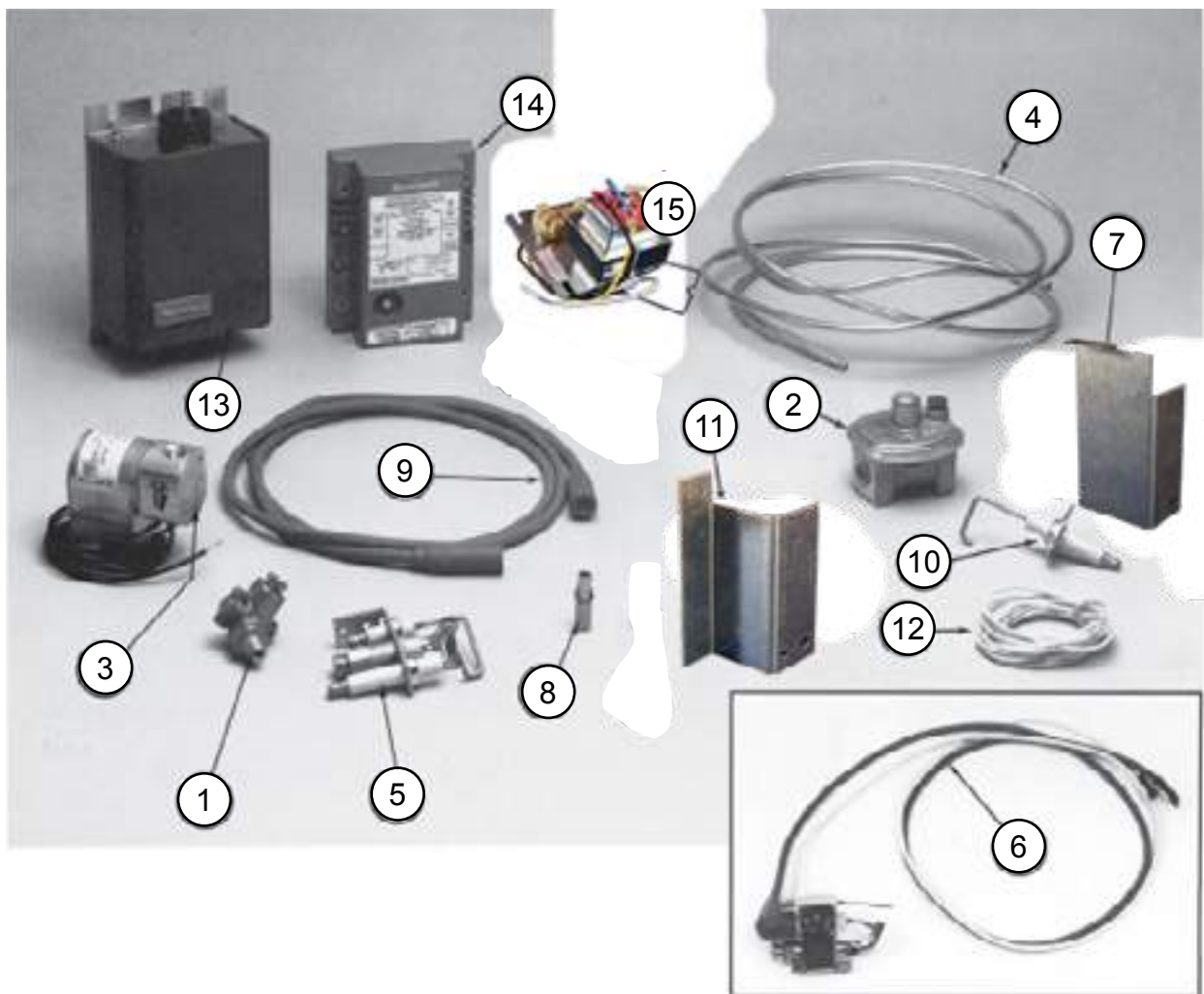
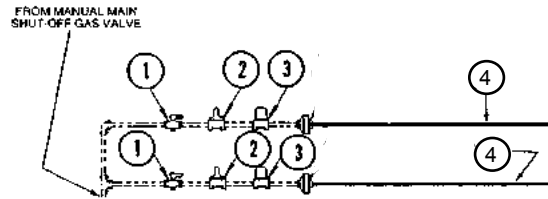
Fig. No.	Part No.	Description
1	511-246-325	Manual-Main Shut-off Gas Valve, 1" N.P.T., With Downstream Pressure Tapping, 1/8" N.P.T.
	511-246-330	Manual-Main Shut-off Gas Valve, 1 1/4" N.P.T., With Downstream Pressure Tapping, 1/8" N.P.T.
	511-246-300	Manual-Main Shut-off Gas Valve, 1 1/2" N.P.T., With Downstream Pressure Tapping, 1/8" N.P.T.
	511-246-305	Manual-Main Shut-off Gas Valve, 2" N.P.T., With Downstream Pressure Tapping, 1/8" N.P.T.
2	383-300-425	Gas Valve Conversion Kit, 1" N.P.T., 24 Volt, With 1/8" N.P.T. and 1/8" N.P.T. Downstream Pressure Tapping
	383-300-426	Gas Valve Conversion Kit, 1 1/4" N.P.T., 24 Volt, With 1/8" N.P.T. and 1/8" N.P.T. Downstream Pressure Tapping
	383-300-427	Gas Valve Conversion Kit, 1 1/2" N.P.T., 24 Volt, With 1/8" N.P.T. and 1/8" N.P.T. Downstream Pressure Tapping
3	511-044-214	Combination Gas Control Valve, 1" N.P.T., 24 Volt, With Low Fire Operator, High Fire Operator, Main Pressure Regulator and 1/8" N.P.T. Downstream Pressure Tapping
	511-044-215	Combination Gas Control Valve, 1 1/4" N.P.T., 24 Volt, With Low Fire Operator, High Fire Operator, Main Pressure Regulator and 1/8" N.P.T. Downstream Pressure Tapping
	511-044-216	Combination Gas Control Valve, 1 1/2" N.P.T., 24 Volt, With Low Fire Operator, High Fire Operator, Main Pressure Regulator and 1/8" N.P.T. Downstream Pressure Tapping

# LGB - Series 1 - Universal Control System - Natural Gas IRI / FM Pilot Gas Control Train / Flame Sensing Parts

**IRA AND FM  
PILOT TRAIN GAS PIPING DIAGRAM  
LGB-6 THROUGH LGB-12 BOILERS**



**IRA AND FM  
PILOT TRAIN GAS PIPING DIAGRAM  
LGB-13 THROUGH LGB-23 BOILERS**





**LGB - Series 1 - Universal Control System - Natural Gas  
IRI / FM Pilot Gas Control Train / Flame Sensing Parts**

Fig. No.	Part No.	Description	Qty Per Boiler Size	
			6-12	13-23
<b>IRI AND FM PILOT LINE GAS TRAIN COMPONENTS</b>				
1	511-246-345	Pilot Line Manual Shut-off Gas Valve, ¼" N.P.T. Male x ¼" N.P.T. Female	1	2
2	510-933-195	Pilot Line Gas Pressure Regulating Valve, 3.5-7.0" W.C. Outlet Adjustment Range, ¼" N.P.T.	1	2
3	511-044-040	Pilot Line Solenoid Gas Valve, Quick Opening, 120 Volt, ¼" N.P.T.	1	2
4	560-742-915	Pilot Line Aluminum Tubing, ¼" O.D. x 100" Coil	1	2
<b>IRI AND FM PILOTS, FLAME SENSING AND IGNITION COMPONENTS</b>				
5	511-330-181	Combination Pilot Burner With Fame Rod, Ignition Electrode, and Natural Gas Orifice, 0.026" Dia.	1	1
6	511-330-221	NG PIN Pilot Burner Assembly With Pilot Burner, Orifice, Sensing Lead and Ignition Cable	1	1
7	460-005-624	Combination Pilot Burner Mounting Bracket	1	2
8	591-850-140	Rajah Connector, Female (Connects Sensing Cable To Q179C Pilot)	1	1
9	591-391-798	Ignition Cable, 36" Long, For Q179C Pilot	1	1
10	511-724-274	Main Fame Sensor	1	1
11	423-300-420	Main Fame Sensor Mounting Bracket	1	1
12	590-849-236	Fame Rod Cable For Main Fame Sensor and Q179C Pilot (Feet Required)	4	4
13	511-802-625	Solid State Ignition Transformer, 120 Volt/6,0000 Volt,	1	1
14	511-330-097	Pilot Proving Ignition/Sensing Control Module, 24 Volt, Q348A Pilot	-	1
			-	1
15	510-312-166	Control Transformer/Relay Receptacle 120/24 Volt, 40 VA, Plate Mounted, For Universal Control System (UCS) Ignition Sensing Control	-	1
			-	1

**LGB - Series 1**  
**IRI / FM Main Gas Control Train Parts**  
**For 5.5" W.C. Natural Gas Supply Pressure**

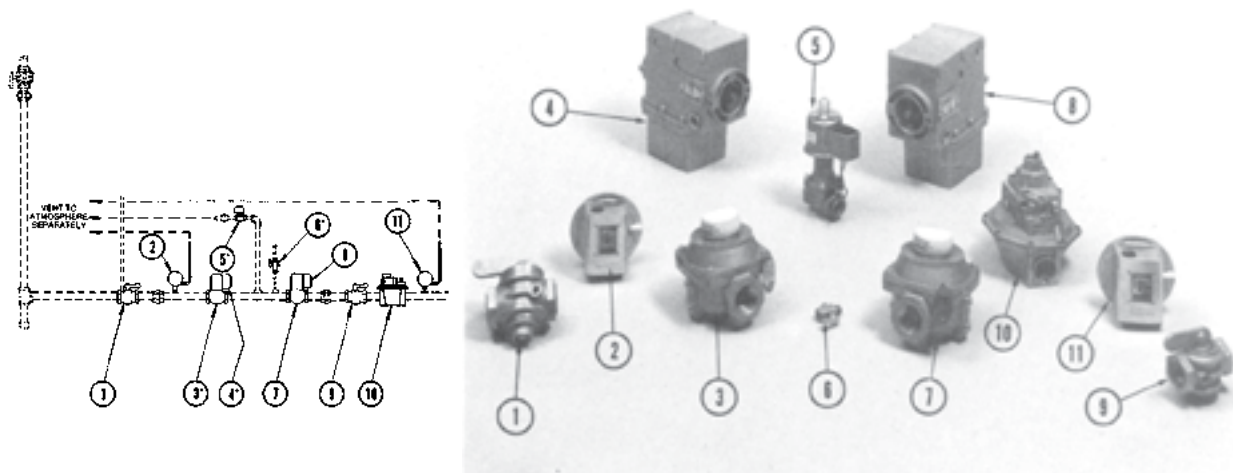


Fig. No.	Part No.	Description	Boiler Size
1,9	511-246-330	Manual Main Shut-off Gas Valve, 1¼" N.P.T., With ⅛" N.P.T. Female Pilot Take-Off Tapping and ¼" N.P.T. Female Downstream Pressure Tapping, Lubricated Type	5,6,7
	511-246-300	Manual Main Shut-off Gas Valve, 1½" N.P.T., With ⅛" N.P.T. Female Pilot Take-Off Tapping and ¼" N.P.T. Female Downstream Pressure Tapping, Lubricated Type	8
	511-246-305	Manual Main Shut-off Gas Valve, 2" N.P.T., With ⅛" N.P.T. Female Pilot Take-Off Tapping and ¼" N.P.T. Female Downstream Pressure Tapping, Lubricated Type	9 - 17
	511-246-310	Manual Main Shut-off Gas Valve, 2½" N.P.T., With ¼" N.P.T. Female Pilot Take-Off Tapping and ¼" N.P.T. Female Downstream Pressure Tapping, Lubricated Type	18 - 20
	511-210-431	Manual Main Shut-off Gas Valve, 3" N.P.T., With ¼" N.P.T. Female Pilot Take-Off Tapping and ¼" N.P.T. Female Downstream Pressure Tapping, Lubricated Type	21-23
2	511-624-550	Low Gas Pressure Switch, SPDT, Manual Reset, Lockout On Pressure Fill, Diaphragm Type, 3.0-21.0" W.C. Range, 1.0-3.0" W.C. Differential, ¼" N.P.T. Female Connector, ⅛" N.P.T. Female Vent Connector, With Switch Position Indicator	All Sizes
3,7	510-744-315	Motorized Gas Valve Small Body, With ¼" N.P.T. Female Downstream Pressure Tapping	5 - 17
N/S	511-044-171	1¼" Pipe Flange Adapter For Gas Valve Body	5,6,7
	511-044-172	1½" Pipe Flange Adapter For Gas Valve Body	8
	511-044-173	2" Pipe Flange Adapter For Gas Valve Body	9 - 17
3,7	510-744-316	Motorized Gas Valve Large Body, With ¼" N.P.T. Female Downstream Pressure Tapping	18 - 23
Fig. No.	Part No.	Description	Boiler Size
N/S	511-044-174	2½" Pipe Flange Adapter for Gas Valve Body	18 - 20
	511-044-175	3" Pipe Flange Adapter for Gas Valve Body	21 - 23

**LGB - Series 1**  
**IRI / FM Main Gas Control Train Parts Continued**  
**For 5.5" W.C. Natural Gas Supply Pressure**

4,8	510-744-317	Fluid Power Gas Valve Actuator, On/Off, 120 Volt	5 -23
N/S	511-044-176	Adapter For Solenoid Vent Valve (Fits Small Valve Body)	5 - 17
	511-044-177	Adapter for Solenoid Vent Valve (Fits Large Valve Body)	18 - 23
5	511-046-340	Solenoid Vent Valve, Normally Open, Quick Closing, 120 Volt, ¾" N.P.T.	5 - 8
	511-046-342	Solenoid Vent Valve, Normally Open, Quick Closing, 120 Volt, 1" N.P.T.	9 -17
	511-046-344	Solenoid Vent Valve, Normally Open, Quick Closing, 120 Volt, 1¼" N.P.T.	18 - 23
6	511-210-415	Test Cock, ¼" N.P.T.	All Sizes
10	511-048-502	Combination Gas Control Valve, 1¼" N.P.T., 120 Volt, With Low Fire Operator, High Fire Operator, and Main Pressure Regulator, ⅛" N.P.T. Downstream Pressure Tapping	5 - 7
	511-048-501	Combination Gas Control Valve, 1½ " N.P.T., 120 Volt, With Low Fire Operator, High Fire Operator, and Main Pressure Regulator, ⅛" N.P.T. Downstream Pressure Tapping	8
	511-048-500	Combination Gas Control Valve, 2" N.P.T., 120 Volt, With Low Fire Operator, High Fire Operator, and Main Pressure Regulator, ⅛" N.P.T. Downstream Pressure Tapping	9 - 23
11	511-624-555	High Gas Pressure Switch, SPDT, Manual Reset, Lockout on Pressure Rise, Diaphragm Type, 3.0-21.0" W.C. Range, 1.0-3.0" W.C. Differential, ¼" N.P.T. Female Connector, ⅛" N.P.T. Female Vent Connector, With Switch Position Indicator	All Sizes

## LGB - Series 1

### IRI / FM Main Gas Control Train Parts

#### For 7.0" W.C. Natural Gas Supply Pressure

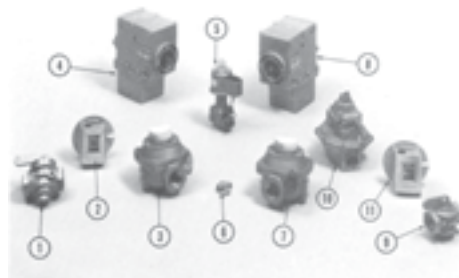
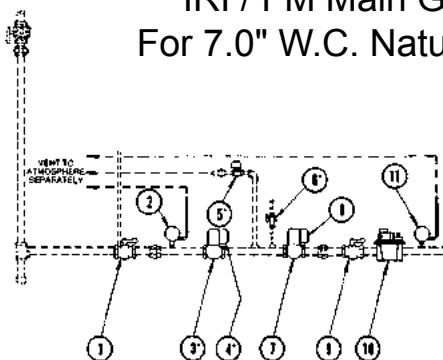


Fig. No.	Part No.	Description	Boiler Size
1,9	511-246-325	Manual Main Shut-off Gas Valve, 1" N.P.T., With 1/8" N.P.T. Female Pilot Take-Off Tapping and 1/4" N.P.T. Female Downstream Pressure Tapping, Lubricated Type	5,6,7
	511-246-330	Manual Main Shut-off Gas Valve, 1 1/4" N.P.T., With 1/8" N.P.T. Female Pilot Take-Off Tapping and 1/4" N.P.T. Female Downstream Pressure Tapping, Lubricated Type	8,9,10
	511-246-300	Manual Main Shut-off Gas Valve, 1 1/2" N.P.T., With 1/8" N.P.T. Female Pilot Take-Off Tapping and 1/4" N.P.T. Female Downstream Pressure Tapping, Lubricated Type	11-18
	511-246-305	Manual Main Shut-off Gas Valve, 2" N.P.T., With 1/8" N.P.T. Female Pilot Take-Off Tapping and 1/4" N.P.T. Female Downstream Pressure Tapping, Lubricated Type	19-23
2	511-624-550	Low Gas Pressure Switch, SPDT, Manual Reset, Lockout On Pressure Fill, Diaphragm Type, 3.0-21.0" W.C. Range, 1.0-3.0" W.C. Differential, 1/4" N.P.T. Female Connector, 1/8" N.P.T. Female Vent Connector, With Switch Position Indicator	All Sizes
3,7	510-744-315	Motorized Gas Valve Small Body, With 1/4" N.P.T. Female Downstream Pressure Tapping	5 - 17
N/S	511-044-170	1" Pipe Flange Adapter For Gas Valve Body	5,6,7
	511-044-171	1 1/4" Pipe Flange Adapter For Gas Valve Body	8,9,10
	511-044-172	1 1/2" Pipe Flange Adapter For Gas Valve Body	11-18
	511-044-173	2" Pipe Flange Adapter For Gas Valve Body	19-23
4,8	510-744-317	Fluid Power Gas Valve Actuator, On/Off, 120 Volt	5 -23
N/S	511-044-176	Adapter For Solenoid Vent Valve (Fits Small Valve Body)	All sizes
5	511-046-340	Solenoid Vent Valve, Normally Open, Quick Closing, 120 Volt, 3/4" N.P.T.	5 - 13
	511-046-342	Solenoid Vent Valve, Normally Open, Quick Closing, 120 Volt, 1" N.P.T.	14-23
6	511-210-415	Test Cock, 1/4" N.P.T.	All Sizes
10	511-048-503	Combination Gas Control Valve, 1" N.P.T., 120 Volt, With Low Fire Operator, High Fire Operator, and Main Pressure Regulator, 1/8" N.P.T. Downstream Pressure Tapping	5,6,7
Fig. No.	Part No.	Description	Boiler Size
10	511-048-502	Combination Gas Control Valve, 1 1/4" N.P.T., 120 Volt, With Low Fire Operator, High Fire Operator, and Main Pressure Regulator, 1/8" N.P.T. Downstream Pressure Tapping	8 -10
	511-048-501	Combination Gas Control Valve, 1 1/2" N.P.T., 120 Volt, With Low Fire Operator, High Fire Operator, and Main Pressure Regulator, 1/8" N.P.T. Downstream Pressure Tapping	11-13
	511-048-500	Combination Gas Control Valve, 2" N.P.T., 120 Volt, With Low Fire Operator, High Fire Operator, and Main Pressure Regulator, 1/8" N.P.T. Downstream Pressure Tapping	14-23

LGB - Series 1  
 IRI / FM Main Gas Control Train Parts Continued  
 For 7.0" W.C. Natural Gas Supply Pressure

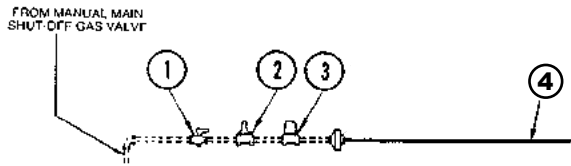
11	511-624-555	High Gas Pressure Switch, SPDT, Manual Reset, Lockout On Pressure Rise, Diaphragm Type, 3.0- 21.0" W.C. Range, 1.0-3.0" W.C. Differential, ¼" N.P.T. Female Connector, ⅛" N.P.T. Female Vent Connector, With Switch Position Indicator	All Sizes
3,7	<b>Not Available From Weil Mclain</b>	Hydramotor Gas Valve Body, With Parabolic Guide 1 ¼" N.P.T. Rated For Closure Against 5.0 PSIG Inlet Pressure, ¼" N.P.T. Female Downstream Pressure Tapping	8
	510-744-332	Hydramotor Gas Valve Body, With Parabolic Guide 1½" N.P.T., Rated For Closure Against 5.0 PSIG Inlet Pressure, ¼" N.P.T. Female Downstream Pressure Tapping	11-13
	510-744-334	Hydramotor Gas Valve Body, With Parabolic Guide, 2" N.P.T., Rated For Closure Against 5.0 PSIG Inlet Pressure, ¼" N.P.T. Female Downstream Pressure Tapping	14-23
4,8	<b>Not Available From Weil Mclain</b>	Hydramotor Gas Valve Actuator, 120 Volt, 13 Second Opening Time, On/Off	All Sizes
		Hydramotor Gas Valve Actuator, 120 Volt, Low/High/Off	All Sizes
5	511-046-340	Solenoid Vent Valve, Normally Open, Quick Closing, 120 Volt, ¾" N.P.T.	6-13
	511-046-342	Solenoid Vent Valve, Normally Open, Quick Closing, 120 Volt, 1" N.P.T.	14-23
6	511-210-415	Test Cock, ¼" N.P.T.	All Sizes

**LGB - Series 1**  
**IRI / FM Main Gas Control Train Parts Continued**  
**For 7.0" W.C. Natural Gas Supply Pressure**

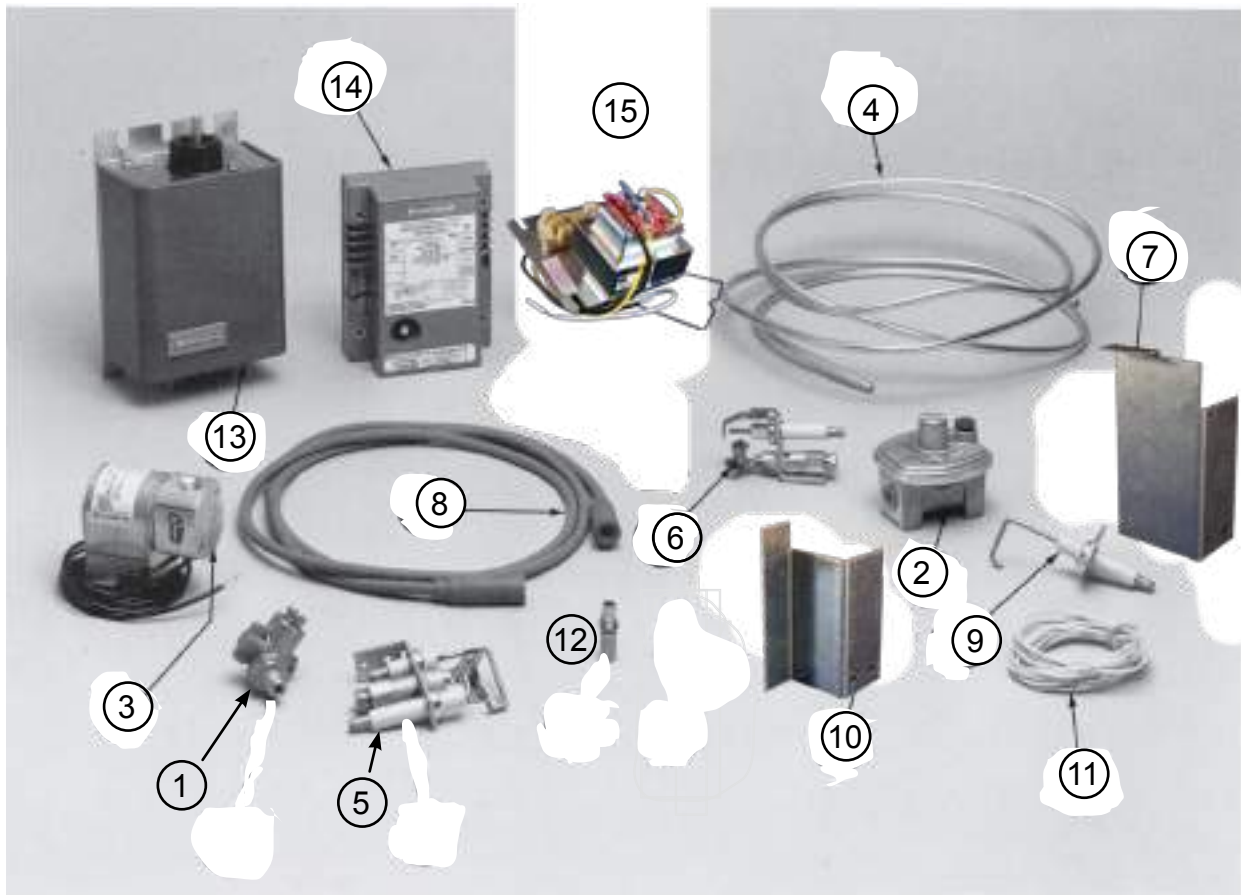
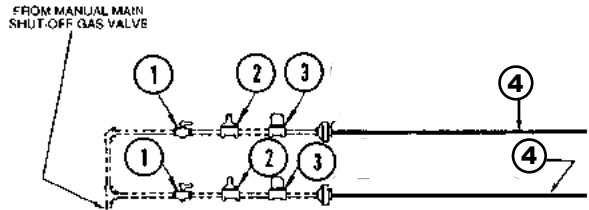
Fig. No.	Part No.	Description	Boiler Size
10	511-048-503	Combination Gas Control Valve, 1" N.P.T., 120 Volt, With Low Fire Operator, High Fire Operator, and Main Pressure Regulator, 1/8" N.P.T. Downstream Pressure Tapping	6-7
	511-048-502	Combination Gas Control Valve, 1 1/4" N.P.T., 120 Volt, With Low Fire Operator, High Fire Operator, and Main Pressure Regulator, 1/8" N.P.T. Downstream Pressure Tapping	8-10
	511-048-501	Combination Gas Control Valve, 1 1/2" N.P.T., 120 Volt, With Low Fire Operator, High Fire Operator, and Main Pressure Regulator, 1/8" N.P.T. Downstream Pressure Tapping	11-13
	511-048-500	Combination Gas Control Valve, 2" N.P.T., 120 Volt, With Low Fire Operator, High Fire Operator, and Main Pressure Regulator, 1/8" N.P.T. Downstream Pressure Tapping	14-23
8	511-624-555	High Gas Pressure Switch, SPDT, Manual Reset, Lockout On Pressure Rise, Diaphragm Type, 3.0-21.0" W.C. Range, 1.0-3.0" W.C. Differential, 1/4" N.P.T. Female Connector, 1/8" N.P.T. Female Vent Connector, With Switch Position Indicator	All Sizes
N/S	510-933-197	Regulator 1"	6-7
	510-933-199	Regulator 1 1/4"	8-10
	510-933-201	Regulator 1 1/2"	11-13
		Regulator 2"	14-23

# LGB - Series 1 -Universal Control System - Natural Gas IRI / FM Pilot Gas Control Train / Flame Sensing Parts

**IRA AND FM  
PILOT TRAIN GAS PIPING DIAGRAM  
LGB-6 THROUGH LGB-12 BOILERS**



**IRA AND FM  
PILOT TRAIN GAS PIPING DIAGRAM  
LGB-13 THROUGH LGB-23 BOILERS**



## LGB - Series 1 - Universal Control System - Natural Gas IRI / FM Pilot Gas Control Train / Flame Sensing Parts

Fig. No.	Part No.	Description	Qty Per Boiler Size	
			6-12	13-23
<b>IRI And FM Pilot Line Gas Train Components</b>				
1	511-246-345	Pilot Line Manual Shut-off Gas Valve, ¼" N.P.T. Male x ¼" N.P.T. Female	1	2
2	510-933-195	Pilot Line Gas Pressure Regulating Valve, 3.5-7.0" W.C. Outlet Adjustment Range, ¼" N.P.T.	1	2
3	511-044-040	Pilot Line Solenoid Gas Valve, Quick Opening, 120 Volt, ¼" N.P.T.	1	2
4	560-742-915	Pilot Line Aluminum Tubing, ¼" O.D. x 100" Coil	1	2
<b>IRI And FM Pilots, Flame Sensing And Ignition Components</b>				
5	511-330-181	Combination Pilot Burner With Fame Rod, Ignition Electrode, and Natural Gas Orifice, 0.026" Dia.	1	1
6	511-330-170	Combination Pilot Burner With Ignition Sensing Electrode, Natural Gas Orifice and Ignition Wire		1
7	460-005-624	Combination Pilot Burner Mounting Bracket	1	2
8	591-391-798	Ignition Cable, 36" Long, For Q179C Pilot	1	1
9	511-724-274	Main Fame Sensor	1	1
10	423-300-420	Main Fame Sensor Mounting Bracket	1	1
11	590-849-236	Flame Rod Cable For Main Fame Sensor and Q179C Pilot (Feet Required)	4'	4'
12	591-850-140	Rajah Connector, Female (Connects Sensing Cable To Q179C Pilot)	1	1
13	511-802-625	Solid State Ignition Transformer, 120 Volt/6,000 Volt	1	1
14	510-811-456	S86H Conversion to UCS Kit (Includes: Control Panel, 2 Ignition/Sensing Control Modules, Pilot Burner Assembly, Wiring Harness and Ignition Cable)	-	1
15	510-312-166	Control Transformer/Relay Receptacle 120/24 Volt, 40 VA, Plate Mounted, for Universal Control System (UCS) Ignition Sensing Control	-	1
			-	1



## LGB - Series 1 - Universal Control System - Natural Gas Pilot / Flame Sensing Control Parts

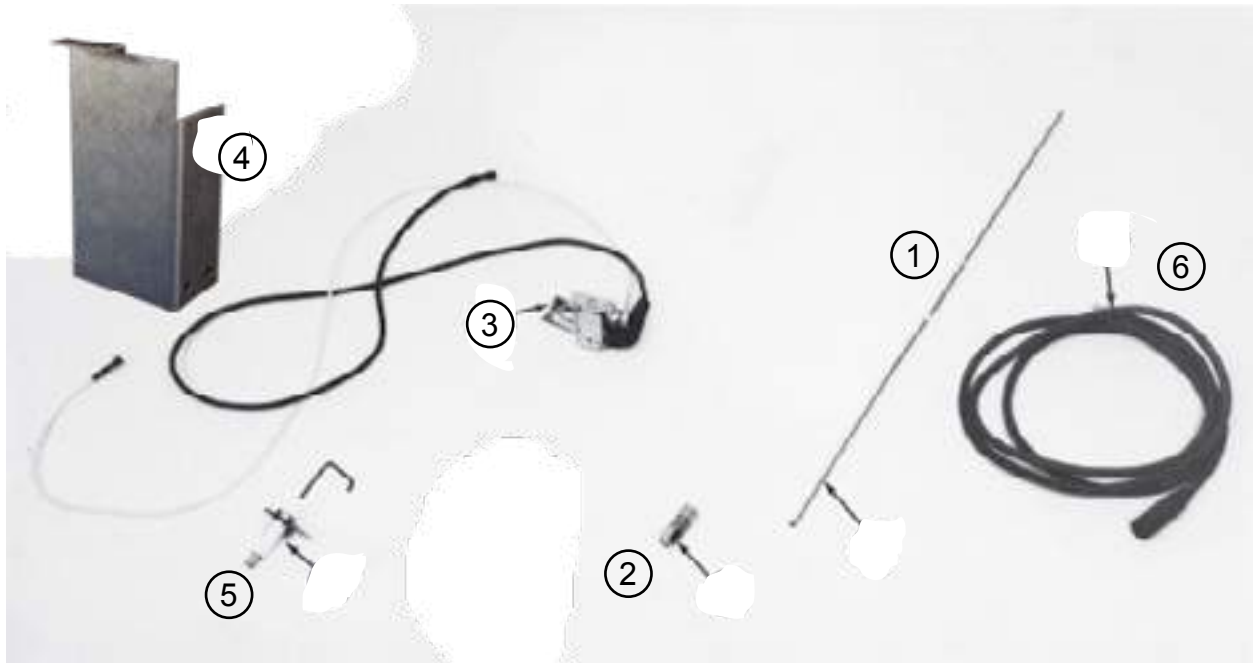


Fig. No.	Part No.	Description	6-12	13-23
1	560-742-880	Pilot Line Aluminum Tubing, ¼" Dia. x 2" Long	1	2
2	561-643-450	Pilot Line Union, ¼" CC (Purchase Locally)	1	2
3	511-330-221	NG PIN Pilot Burner Assembly With Pilot Burner, Orifice, Sensing Lead and Ignition Cable	1	2
4	460-005-624	Combination Pilot Burner Mounting Bracket	1	2
5	511-724-274	Main Flame Sensor	1	2
6	591-391-790	Sensing Cable For Main Flame Sensor, 36" Long	1	2

LGB - Series 1 - Natural Gas  
 Flame Guardian® WFG Electronic Control System  
 Ignition / Sensing Control Module Parts

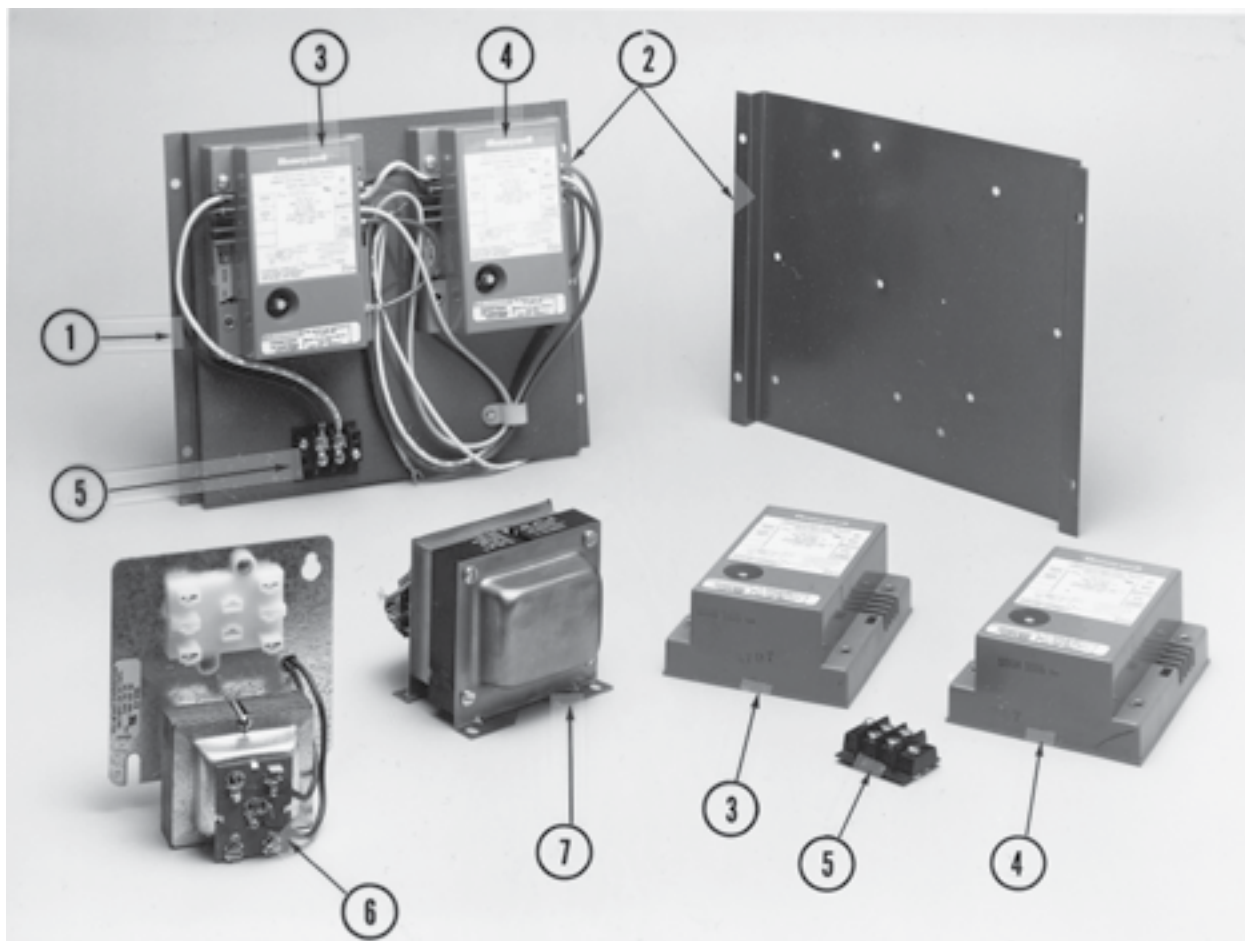


Fig. No.	Part No.	Description	Quantity/ Boiler Base
1	510-811-456	Flame Guardian WFG Ignition/Sensing Control Module (Complete) Conversion Kit From Honeywell S86H To Universal Control System	1,2
2	450-003-593	Mounting System	1,2
3 & 4	511-330-097	Pilot Proving Ignition/Sensing Control Module, 24 Volt	1,2
5	512-050-013	Terminal Block	1,2
6	510-312-166	Combination Transformer-Relay Receptacle, 120/24 Volt, 40VA, Plate Mounted	1 1
7	511-842-364	Control Transformer, 120/24 Volt, 75 VA, Foot Mounted With Circuit Breaker	1 1

## LGB - Series 1 - Natural Gas Gas Pressure Switch / Accessory Parts

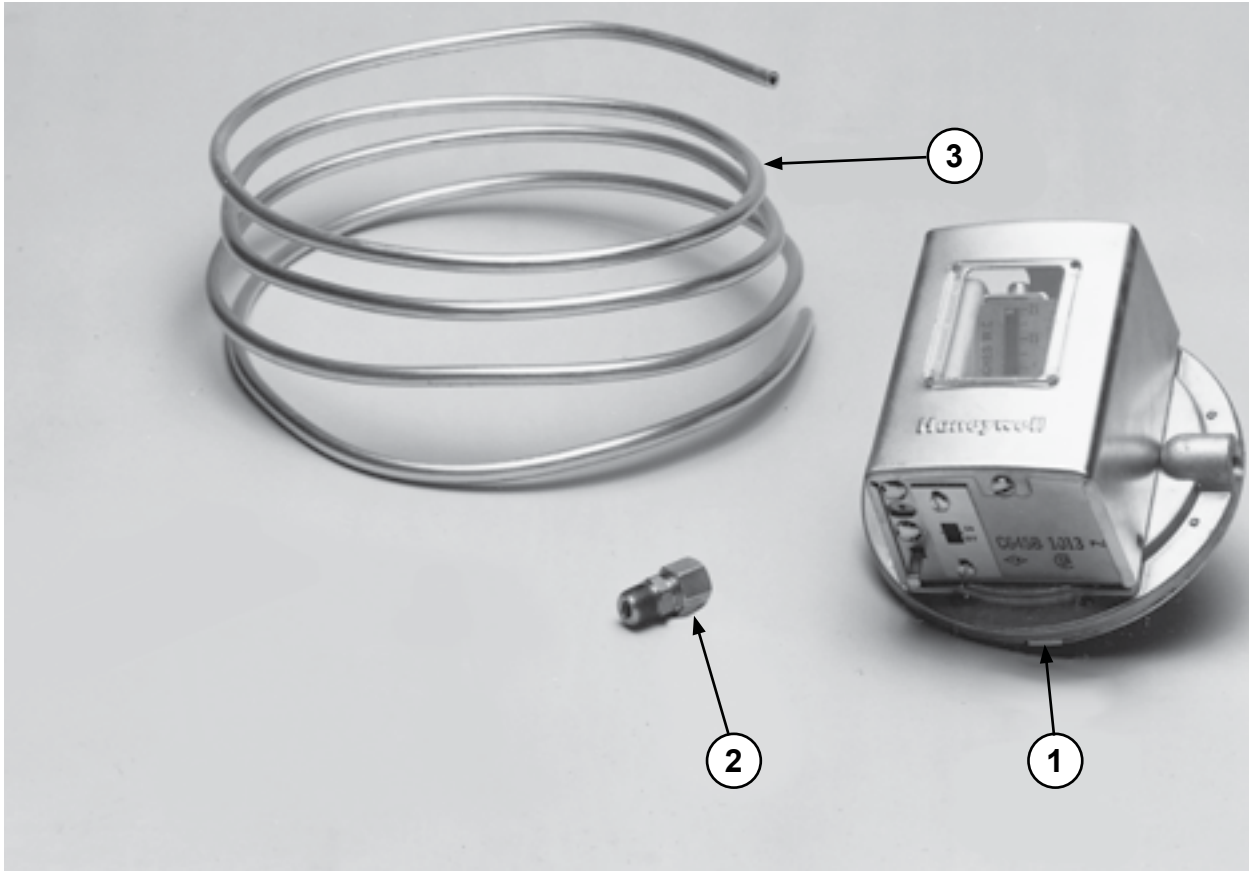
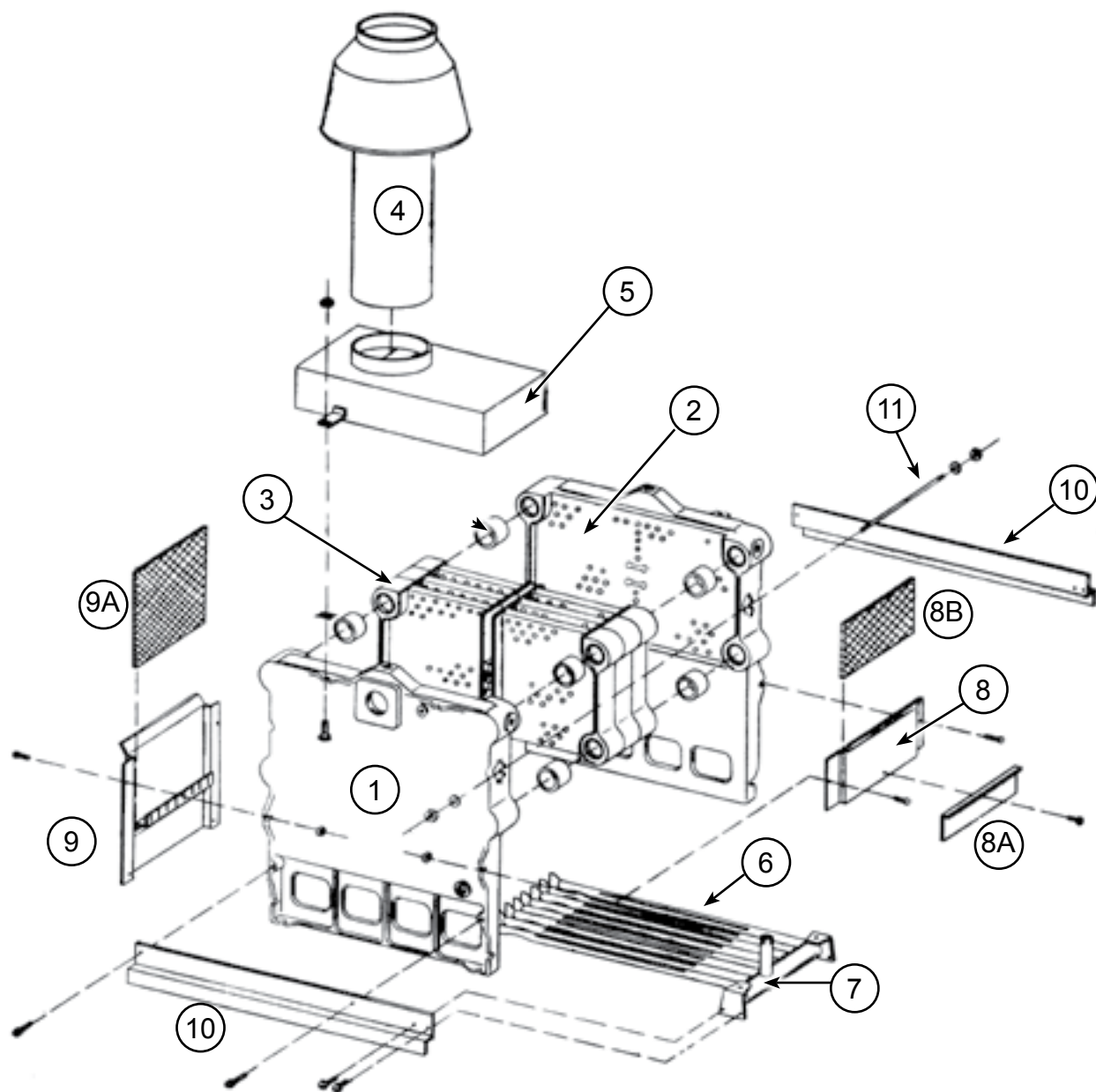


Fig. No.	Part No.	Description
1	511-624-555	High Gas Pressure Switch, SPDT, Manual Reset, Lockout On Pressure Rise, Diaphragm Type 3.0-21.0" W.C. Range, 1.0-3.0" W.C. Differential, 1/4" N.P.T. Female Vent Connector, With Switch Position Indicator (2 Required For LGB-21 Through LGB-23)
2	561-643-451	Union, 1/8" Male N.P.T. x 1/4" CC (4 Required For LGB-21 Through LGB-23) (Purchase Locally)
3	560-742-915	Aluminum Tubing, 1/4" O.D. x 100" Roll
N/S	511-330-229	Pilot Switch Box - Replaces WR 3048-25 - Must Add Thermocouple

# PFG - Series 1 Through 7 Section / Base Assembly



## PFG - Series 1 Through 7 Section / Base Assembly Parts

Fig. No.	Part No.	Description	Series
1	312-804-405	Left Hand End Section, 51113 *See Note 1	7
2	312-804-415	Right Hand End Section, 51117	7
3	312-804-416	Intermediate Section Half, 51125 (Requires 2 Per Intermediate Section)	7
N/S	321-114-507	Section Assembly, Complete With Well: PFG-5	1-7
	321-114-508	Section Assembly, Complete With Well: PFG-6	1-7
	321-114-509	Section Assembly, Complete With Well: PFG-7	1-7
	321-114-510	Section Assembly, Complete With Well: PFG-8	1-7
	386-700-856	Section Assembly Repair Kit (1 Per Joint) (Includes: Seals, Guide Ball Bearings, Silicone Sealant, Instructions) No Rope Silicone	7
4	450-021-200	Draft Hood, Vertical: PFG-5	1-7
	450-021-201	Draft Hood, Vertical: PFG-6	1-7
	450-021-202	Draft Hood, Vertical: PFG-7	1-7
	450-021-205	Draft Hood, Vertical: PFG-8	5-7
N/S	591-638-851	RTV 108 or Equivalent	1-7
5	450-014-819	Collector Hood, PFG-5	4-7
	450-014-820	Collector Hood, PFG-6	4-7
	450-014-821	Collector Hood, PFG-7	4-7
	450-014-822	Collector Hood, PFG-8	4-7
6	512-200-022	Burner, Tubular Steel, Regular	1-7
	512-200-023	Burner, Tubular Steel With Pilot Bracket	1-7
7	591-125-820	Manifold: PFG-5	1-7
	591-125-821	Manifold: PFG-6	1-7
	591-125-822	Manifold: PFG-7	1-7
	591-125-823	Manifold: PFG-8	1-7
8	452-800-500	Front Base Panel PFG-5	1-7
	452-800-501	Front Base Panel PFG-6	1-7
	452-800-502	Front Base Panel PFG-7	1-7
	452-800-503	Front Base Panel PFG-8	1-7
N/S	560-529-055	Main Burner Orifice (Natural) No. 37 Drill	1-7
	560-529-056	Main Burner Orifice (Propane) 1.65mm Drill	1-7
9	452-800-580	Base Back Panel PFG-5	1-7
	452-800-581	Base Back Panel PFG-6	1-7
	452-800-582	Base Back Panel PFG-7	1-7
	452-800-583	Base Back Panel PFG-8	1-7

**\* Note 1: When replacing series 1-6 sections, entire block must be replaced. Series 1-6 used push nipples, no longer made. Series 7 uses elastomer seals.**

### Number Of Burners

**PFG-5: 7 Main Burners and 1 Burner With Pilot Bracket**

**PFG-6: 9 Main Burners and 1 Burner With Pilot Bracket**

**PFG-7: 11 Main Burners and 1 Burner With Pilot Bracket**

**PFG-8: 13 Main Burners and 1 Burner With Pilot Bracket**

**PFG - Series 1 Through 7**  
**Section / Base Assembly Parts Continued**

Fig. No.	Part No.	Description	Series
N/S	561-928-224	5/8" Nut (2 Per Tie Rod)	1-7
	562-248-701	5/8" Washer (2 Per Tie Rod)	1-7
	591-706-214	Flue Brush, 123 DMG	1-7
	591-638-851	Silicone Sealant RTV 700	5-7
	591-602-913	Retort Cement (1 Quart)	1-7
	460-003-700	Radiation Plate (2 Per Joint)	4-7
	452-800-449	Flue Baffle: PFG-5, 5A	4-7
	452-800-451	Flue Baffle: PFG-6	4-7
	452-800-452	Flue Baffle: PFG-7	4-7
	452-800-453	Flue Baffle: PFG-8	4-7
	591-222-095	Flue Baffle Insulation: PFG-5,5A	4-7
	591-222-096	Flue Baffle Insulation: PFG-6	4-7
	591-222-097	Flue Baffle Insulation: PFG-7	4-7
	591-222-098	Flue Baffle Insulation: PFG-8	4-7
	412-800-115	Jacket Replacement: PFG-5	1-7
	412-800-120	Jacket Replacement: PFG-6	1-7
	412-800-125	Jacket Replacement: PFG-7	1-7
	412-800-130	Jacket Replacement: PFG-8	1-7
	569-928-020	Jacket Hardware Kit	1-7
8A	452-800-540	Base Access Panel PFG-5	1-7
	452-800-541	Base Access Panel PFG-6	1-7
	452-800-542	Base Access Panel PFG-7	1-7
	452-800-543	Base Access Panel PFG-8	1-7
8B	591-222-020	Front Base Insulation: PFG-5	1-7
	591-222-021	Front Base Insulation: PFG-6	1-7
	591-222-022	Front Base Insulation: PFG-7	1-7
	591-222-025	Front Base Insulation: PFG-8	1-7
9A	591-222-030	Back Base Insulation: PFG-5	1-7
	591-222-031	Back Base Insulation: PFG-6	1-7
	591-222-032	Back Base Insulation: PFG-7	1-7
	591-222-033	Back Base Insulation: PFG-8	1-7
10	452-800-655	Right Hand/ Left Hand Base Rail (2 Required)	1-7
11	560-134-506	Tie Rod Without Nut (4 Per Boiler): PFG-5, 5/8" X 15.5"	1-7
	560-134-507	Tie Rod Without Nut (4 Per Boiler): PFG-6, 5/8" X 18.5"	1-7
	560-134-508	Tie Rod Without Nut (4 Per Boiler): PFG-7, 5/8" X 21.5"	1-7
	560-134-509	Tie Rod Without Nut (4 Per Boiler): PFG-8, 5/8" X 24.5"	1-7
N/S	592-002-030	Touch Up Paint - Blue/Gray - Low E 4.5 oz Can	

## PFG - Series 1 Through 7 Water Trim Parts

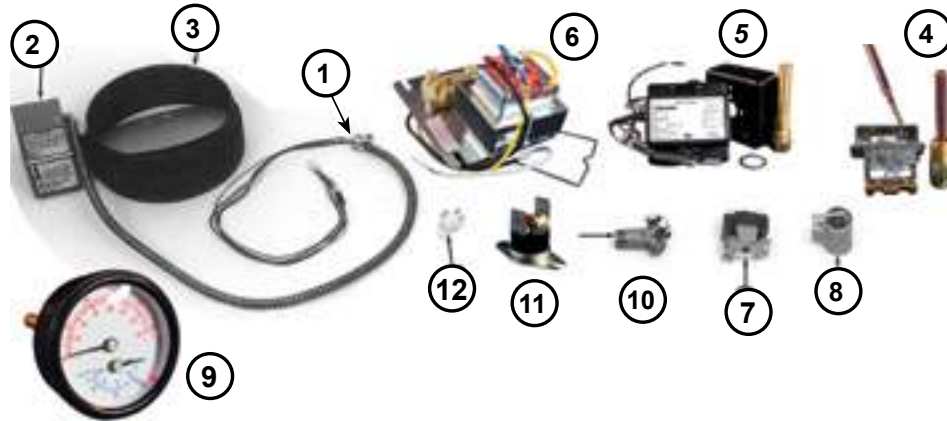


Fig.	Part No.	Description
<b>Components For PI/PID Models</b>		
1	591-391-795	Vent Damper Wiring Harness
2	510-512-337	Vent Damper Motor Operator
3	381-800-477	Vent Damper Assemble, 7" (PFG-5)
	381-800-478	Vent Damper Assemble, 8" (PFG-6)
	381-800-445	Vent Damper Assemble, 9" (PFG-7, 8)
4	510-312-250	High Limit Control, SPST, Automatic Recycle, 140-240°F Range, 30° Fixed Differential With ¾" N.P.T. Well
<b>24 Volt Standing Pilot Components</b>		
5	510-312-150	Combined Operating and Fixed High Limit Temperature Control, SPST, Automatic Recycle, Operating High Limit 140-240°F Range, Fixed High Limit 240°F With ½" N.P.T. Well
<b>Components Common To All PFG Boilers</b>		
6	510-312-166	Combination Transformer-Relay Receptacle, 120/24 Volt, 40Va
7	510-350-223	Plug-In DPST Relay With 24 Volt Holding Coil
8	383-600-091	ASME Relief Valve, Set To Relieve At 30 PSIG, ¾" N.P.T. Female
9	510-218-097	Combination Gauge, 2½" Dial, 0-60 PSIG, 60-260°F Long Shank, ¼" N.P.T. Back Mount
10	511-210-423	Drain Valve, 1½" Shank, ¾" N.P.T.
11	510-300-013	Spill Switch With Reset, 210°F (PFG-5 Only)
12	512-050-230	Rollout Thermal Fuse Element, 228° C (PFG-5 Only)



# PFG - Series 3 Through 7 Standing Pilot



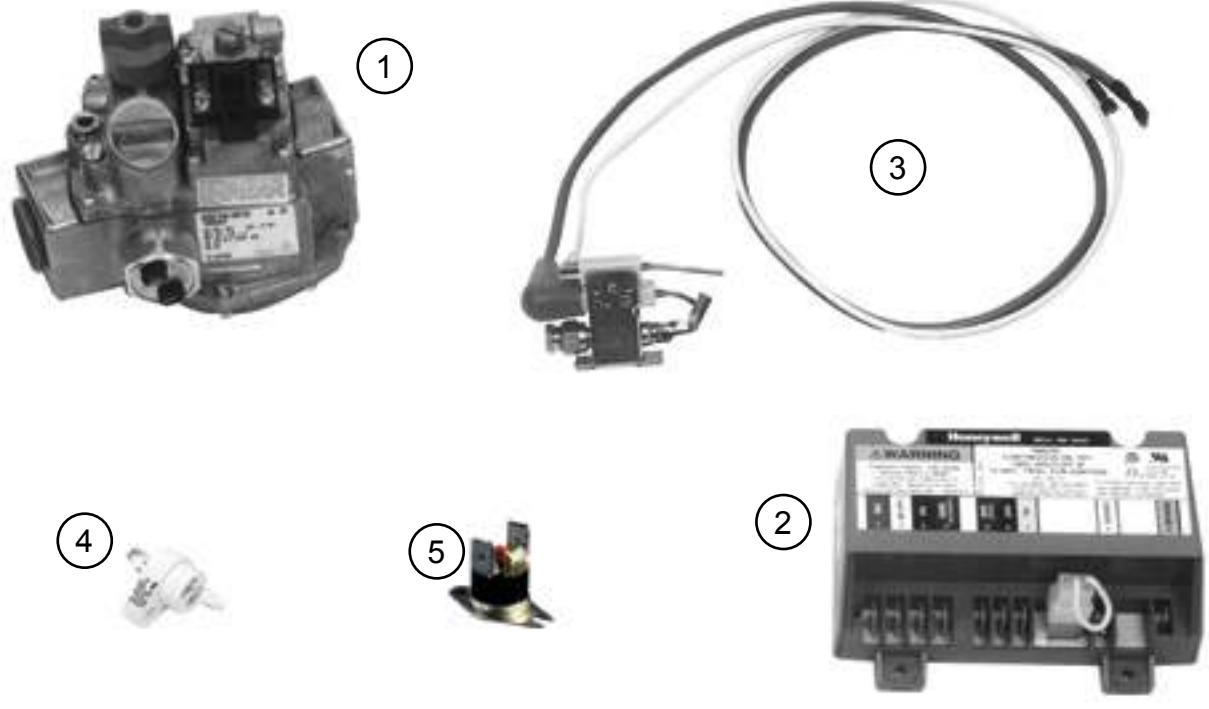


## PFG - Series 3 Through 7 Standing Pilot Parts

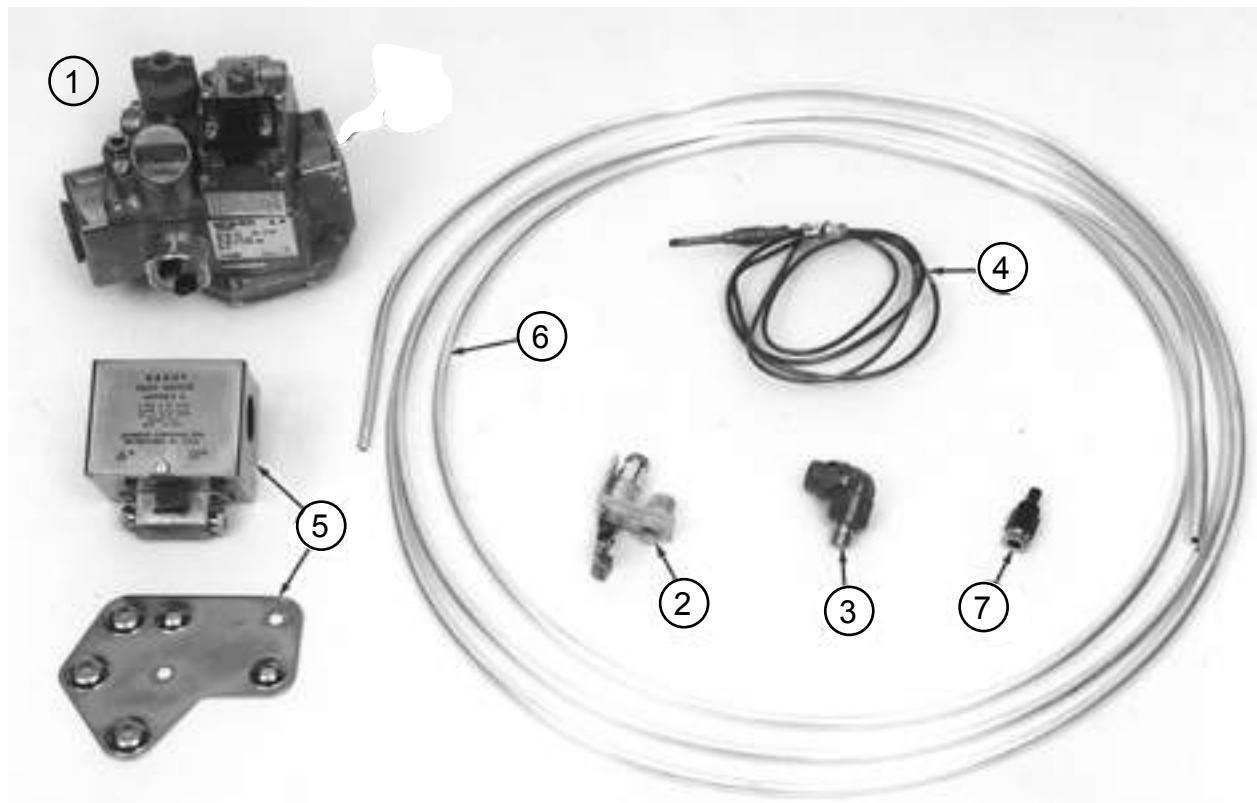
Fig. No.	Part No.	Description
<b>Components For Natural Gas</b>		
1		Combination Gas Control Valve, 511-044-219 Is Obsolete and Replaced By The Thermocouple To Thermopile Conversion Kit Below
	510-811-641	Thermopile Gas Valve Kit, ¾" X 1" N.P.T., 24 Volt, Natural Gas (PFG 6 & 7 Only, Series 3 - 7)
2	560-528-950	Natural Gas Pilot Orifice, A26, .026 Diameter
N/S	510-811-461	Thermocouple to Thermopile Conversion Kit, Natural Gas (PFG 6 & 7 Only, Series 3 - 7) (Includes: Natural Gas Valve, Lead Wire, Thermopile and Instructions)
<b>Components For Propane Gas</b>		
1		Combination Gas Control Valve, 511-044-277 Is Obsolete and Replaced By The Thermocouple To Thermopile Conversion Kit Below
	510-811-643	Thermopile Gas Valve Kit, ¾" X 1" N.P.T., 24 Volt, Propane Gas (PFG 6 & 7 Only, Series 3 - 7)
2	560-528-957	Propane Gas Pilot Orifice, 0.010 Diameter
N/S	510-811-462	Thermocouple To Thermopile Conversion Kit, Propane Gas (PFG 6 & 7 Only, Series 3 - 7) Includes Propane Gas Valve, Lead Wire, Thermopile, and Instructions.
<b>Common Components</b>		
3	511-330-186	Pilot Burner, Constant Burning Thermally Supervised
4		Thermocouple With Spade Terminal Block, Is Obsolete and Replaced By The Thermocouple To Thermopile Conversion Kit
5	560-742-860	Pilot Tubing, ⅛" O.D. Alum. X 22-3/4" Long With Compression Fittings
	511-724-259	Thermopile, 36" (PFG 6 & 7 Only, Series 3 - 7)
N/S	590-850-561	Lead Wire, 5" (PFG 6 & 7 Only (Series 3 - 7)
	591-391-879	Wiring Harness PFG 6 & 7

# PFG - Series 4 Through 7 Intermittent Pilot

## Natural Gas



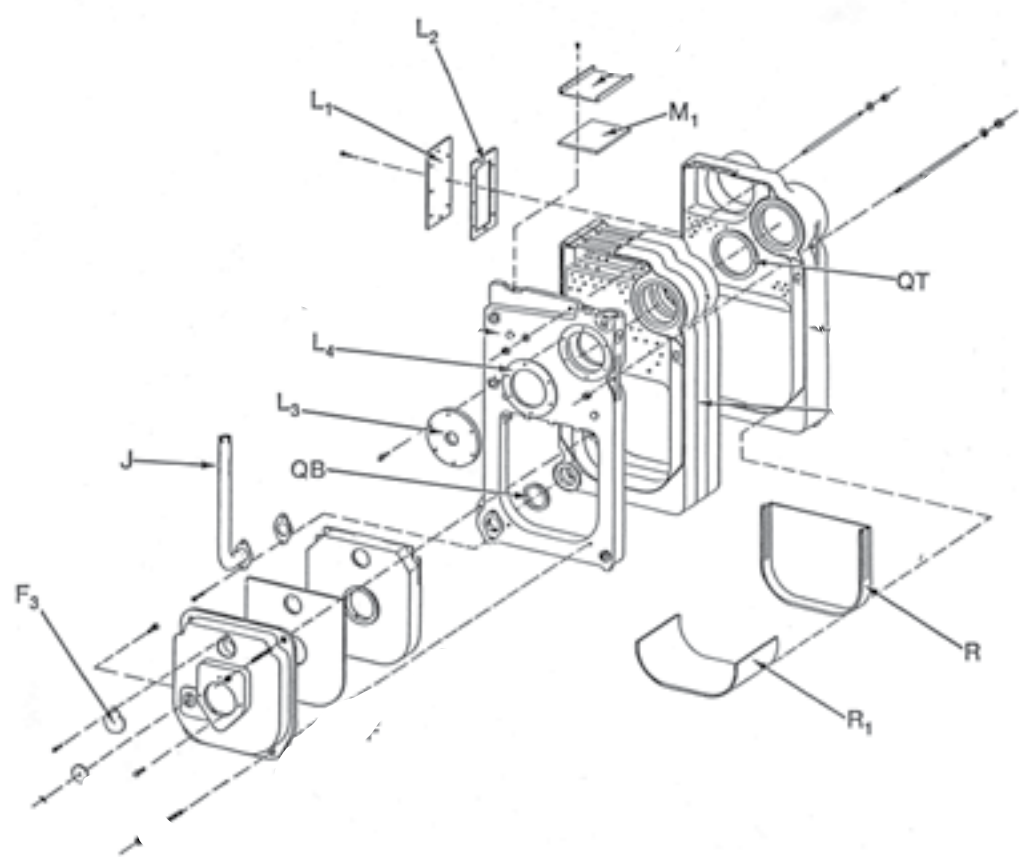
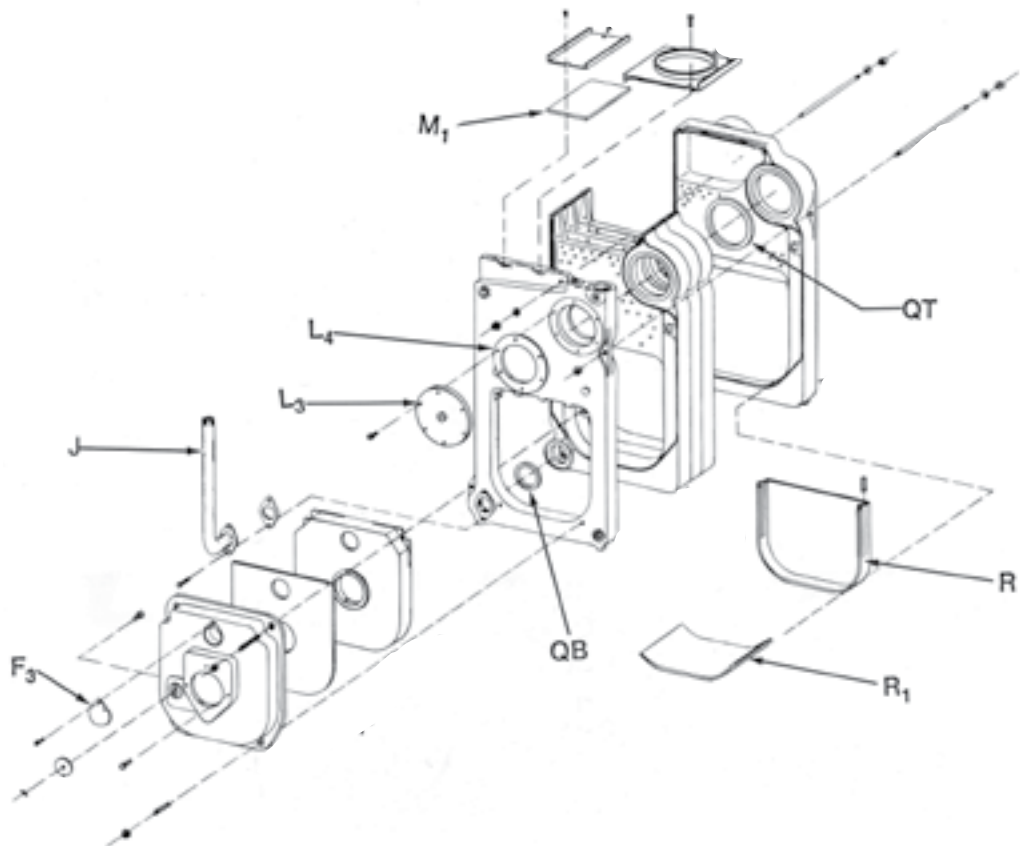
## Propane Gas



## PFG - Series 3 Through 7 Intermittent Pilot Parts

Fig. No	Part No.	Description
<b>Components For Natural Gas</b>		
1	511-044-382	*Combination Gas Valve, ¾" X ¾" N.P.T., 24 Volt, PF-5
	511-044-286	*Combination Gas Valve, ¾" X 1" N.P.T., 24 Volt, PFG-6/7
	511-044-287	*Combination Gas Valve, 1" X 1" N.P.T., 24 Volt, PFG-8
2	511-330-097	Ignition-Sensing Control Module Without Damper Molex Jumper, Series 6 & 7
	511-330-095	Ignition-Sensing Control Module With Damper Molex Jumper, Series 4 & 5
3	511-330-221	N/G PIN Pilot Burner Assembly With Pilot Burner, Orifice, Sensing Lead and Ignition Cable
N/S	511-330-170	Combination Safety Pilot Burner With Ignition Sensing Electrode and Natural Gas Orifice-- <b>Series 4</b>
4	512-050-230	Thermal Fuse Element 229°
5	510-300-013	Spill Switch With Reset 210° (PFG-5)
<b>Components For Natural Gas Series 3 Only</b>		
N/S	511-330-104	Pilot Burner w/ Igniter, Wire and Orifice- <b>Johnson Only</b>
	511-330-163	Pilot Assembly w/ Igniter/Sensor and orifice- <b>Johnson Only</b>
	511-724-264	Sensing Probe With Spade Terminal- <b>Johnson Only</b>
	511-724-270	Sense Wire, 30" Long- <b>Johnson Only</b>
	560-742-860	Pilot Tubing, ⅛" o.d. Alum. X 22 ¾" Long, With Comp. Fitting
	591-391-798	Ignition Sensing Cable, 36" Long- <b>Honeywell S86H Only</b>
<b>Components For Propane Gas</b>		
1	511-044-278	*Combination Gas Control Valve, ¾" X 1" N.P.T., 24 Volt, PFG-6,7
	511-044-279	*Combination Gas Control Valve, 1" X 1" N.P.T., 24 Volt, PFG-8
2	511-330-222	Pilot Assembly With Ignition Lead and Orifice
3	511-246-340	Pilot Shut-off Valve, ⅛" N.P.T. X ¼" CC
4	511-724-245	Thermocouple, 48"
5	511-330-229	Pilot Switch Box
6	560-742-905	Aluminum Tubing, ¼" O.D. X 60"
7	511-330-186	Standing Pilot Burner N.P.T. Orifice
N/S	560-528-957	LP orifice For Pilot Burner (Above)
<b>Components For Natural And Propane Gas</b>		
	591-391-878	Wiring Harness PFG-5 PI
	591-391-880	Wiring Harness PFG-6,7,8 PI
	510-811-405	Conversion Kit: Natural To LP PFG 6 & 7 - SP Models Only
	510-811-406	Conversion Kit: Natural To LP PFG 6 & 7 - PI Models Only
	510-811-407	Conversion Kit: Natural To LP PFG 8 - PI Models Only
<b>Conversion Kit For Honeywell S86H1121/Johnson G60PFL-1 (Natural Gas Only)</b>		
N/S	510-811-457	Conversion Kit Includes Control Module-UT-1003-510, Pilot Assembly, Wiring, and Instructions

P-68V / B-68V / A-68V / P-68 / B-68 / A-68  
Section Assembly



P-68V / B-68V / A-68V / P-68 / B-68 / A-68  
Section Assembly Parts

Fig. No.	Part No.	Description
<b>Sections and Burner Mounting Plate Are Obsolete and No Longer Available.</b>		
F3	460-039-867	Observation Port Shutter
J	591-124-002	Return Pipe Manifold
N/S	590-317-535	Gasket For Return Pipe Manifold
L1	450-030-934	Cover Plate For Heater Opening (Rectangular)
L2	590-317-579	Gasket For Cover Plate (Rectangular)
L3	592-243-217	Cover Plate For Heater Opening (Round) (P-68-WT) (P-68V) ¾" Hole
	592-243-216	Cover Plate For Heater Opening (Round) (A/68), P-68-S(T) (A & B-68V) 1½" Hole
L4	590-317-495	Gasket For Cover Plate (Round)
N/S	560-340-577	Tankless Stud and Nut, Rectangle Plate Requires 8, Round Plate Requires 6
R	386-500-085	Combustion Chamber Replacement Kit (Includes: Insulation Blanket, Back Refractory, Front Refractory, ⅜" X 5' Rope For Door, 4 Oz. Waterglass, Installation Instructions)
N/S	591-000-061	Front Door Refractory
	591-221-054	Door Cerafelt (Between Plate and Refractory)
R	591-000-064	Back Refractory
R1	591-221-236	Refractory Blanket (Apply Using Waterglass, Fits All Sizes of Boiler)
N/S	591-632-612	Waterglass, 4 oz.
	590-735-122	¼" Rope For Sections, 22¾" Long (4 Pieces Required Per Joint)
	591-706-214	Flue Brush, 123DMG
M1	386-500-086	Cleanout Plate Gasket Kit, For All Sizes of Boiler
QB	592-800-010	3" Dia. Bottom Elastomer Seal (1 Per Joint)
QT	592-800-007	6" Dia. Top Elastomer Seal (1 Per Joint)
N/S	389-900-101	Round Tankless Cover Plate Kit With 1½" N.P.T Tapping, 6 Studs with Nuts, and Tankless Gasket
	389-900-102	Round Tankless Cover Plate Kit With ¾" N.P.T Tapping, 6 Studs with Nuts, and Tankless Gasket
	389-900-103	Rectangular Tankless Cover Plate Kit With 8 Studs and Nuts and Tankless Gasket
	590-735-105	⅜" X 5' Rope For Door Seal
	592-002-030	Touch Up Paint - Blue/Gray - Low E 4.5 oz Can

P-68V / B-68V / A-68V / P-68 / B-68 / A-68  
Water Trim Parts



Fig. No.	Part No.	Description	Boiler Size
<b>Water Trim Components Common To All 68 And 68V Water Boilers</b>			
1	510-218-099	Combination Pressure-Temperature Gauge, 2½" Dial, 0 – 60 PSIG, 60-260°F Short Shank, Back Connection, ¼" N.P.T.	All
	510-218-097	Combination Pressure-Temperature Gauge, 2½" Dial, 0 – 60 PSIG, 60-260°F Long Shank, Back Connection, ¼" N.P.T.	All
2	383-600-091	ASME Pressure Relief Valve, Set To Relieve At 30 PSIG, ¾" N.P.T. Female Inlet	All
			All

P-68V / B-68V / A-68V / P-68 / B-68 / A-68  
Water Trim Parts Continued

Fig. No.	Part No.	Description	Boiler Size
<b>Additional Water Trim Components For P-68 And P-68V Water Boilers</b>			
3	511-210-423	¾" N.P.T. Drain Cock	All
4	511-405-115	Circulator, 1/12 H.P., 120/60/1 Motor, 1,750 R.P.M.	All
5	381-354-526	Circulator Hardware Kit (Includes: 1 Flange, 2 Bolts, 2 Nuts, Diamond Gasket, 1¼" N.P.T.)	All
6	590-317-543	Circulator Gasket For Taco Circulators (Two Required)	All
	590-317-535	Circulator Gasket For Bell & Gossett Circulators (Two Required)	All
N/S	590-921-904	Tankless Heater – Water Boiler (Includes: Heater, Gasket, Nuts And Studs)	368,468
	590-921-905	Tankless Heater – Water Boiler (Includes: Heater, Gasket, Nuts And Studs)	568,668
	590-921-901	Tankless Heater – Water Boiler (Includes: Heater, Gasket, Nuts And Studs)	768,868, 968
	560-340-577	Tankless Heater Nut and Stud	

P-68V / B-68V / A-68V / P-68 / B-68 / A-68  
Steam Trim Parts



Fig. No.	Part No.	Description	Boiler Size
<b>Steam Trim Components Common To All 68 Steam Boilers</b>			
1	560-640-696	90° Syphon, ¼" Brass Pipe	ALL
2	383-600-106	ASME Steam Safety Valve, Set to Relieve at 15 PSIG, Side Outlet, ¾" N.P.T. Male Inlet, 446 lbs/hr Capacity	ALL ALL
3	510-218-045	Pressure Gauge, 0 – 30 PSIG, 2½" Dial, Back Connection, ¼" N.P.T.	ALL
4	510-218-135	Water Gauge Glass Cocks, Set ½" N.P.T.	ALL
5	383-600-000	Water Gauge Glass Kit, ⅝" x 7⅝" With Gaskets and Brass Washers	ALL
6	563-334-580	Water Gauge Glass Guard, 3/16" Dia. X 9⅜" Long (2 Required)	ALL
<b>Additional Steam Trim Components For B-68 And P-68 Boilers</b>			
7	510-312-135	High Pressure Limit, 0 – 15 PSIG Adjustable, Subtractive Differential 1 – 8 PSIG, Adjustable, Open on High Pressure Switch Action	ALL
8	510-312-209	High Limit Temperature Control, SPST, Automatic Recycle, 140° - 240°F Range, 10° Fixed subtractive Differential, with ¾" N.P.T. Well (Furnished with Tankless Heater) On Boilers With Tankless.	ALL ALL
<b>Additional Steam Trim Components For P-68 Boilers</b>			
9	511-114-494	Float type Low Water Cut-off, With ½" N.P.T. Connections and a ¾" Blow-Down Valve	3,4,5,6,7
N/S	590-921-903	Tankless Heater – Steam Boiler (Includes: Heater, Gasket, Nuts and Studs.) For Boiler Sizes 368 Thru 968	ALL
	560-340-577	Tankless Heater Nut and Stud	



76  
Section Assembly Parts

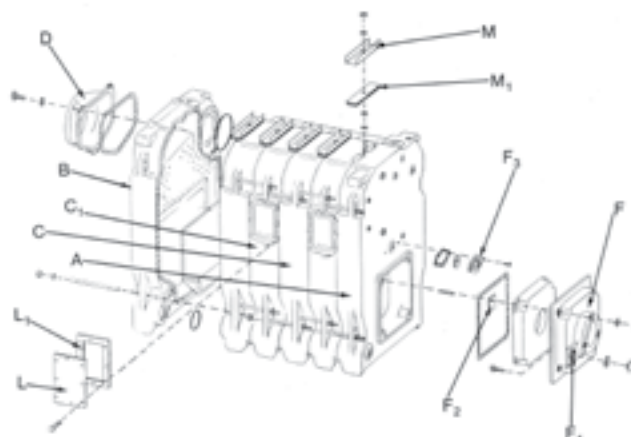


Fig. No.	Part No.	Description
<b>Sections and Burner Mounting Plates Are Obsolete and No Longer Available</b>		
N/S	592-800-009	3½" Dia. Bottom Elastomer Seal (1 Per Joint)
	592-800-008	7½" Dia. Top Elastomer Seal (1 Per Joint)
	560-134-485	⅝" x 9" Draw Rod With Out Nut (4 Per Joint)
	561-928-224	⅝" Nut (2 Per Draw Rod)
	562-248-710	⅝" Washer (1 Per Draw Rod)
	591-706-214	Flue Brush, 123 DMG
	590-735-150	⅜" Dia. Sealing Rope (1' For Observation Port Frame) – TP1000 Type MD-375
	590-735-140	Rope Fiberglass, ½" Diameter x 10' Per Joint, 5' For Door
M	450-030-924	Cleanout Plate (1 Per Joint)
M1	591-221-270	Gasket For Cleanout Plate (Apply Using Waterglass)
N/S	591-632-612	Waterglass, 4 oz.
	591-641-850	Construction Adhesive For Sealing Rope, 11oz. Tube
	591-638-850	Silicone Sealant, 10.3oz. Tube, RTV700
	591-638-851	Silicone Sealant, 3oz. Tube, RTV700
L	450-030-934	Cover Plate For Heater Opening (Rectangular)
L1	590-317-579	Gasket For Heater Cover Plate (Rectangular)
N/S	560-340-577	Tankless Nut and Stud
N/S	591-000-062	Front Refractory
F2	562-650-105	Refractory Retainer Clip-(4 Required)
F1	460-039-898	Secondary Air Shutter
F3	385-600-099	Observation Port Assembly (Includes: Frame, Rope, Gasket, Plugs and Sight Glass)
N/S	591-419-199	Sight Glass
	590-317-580	Washer For Sight Glass
	591-221-240	Back Refractory Blanket (Apply Using Waterglass)
	385-600-097	Back Refractory Blanket Kit (Includes: Blanket, Waterglass, ½" Rope, Construction Adhesive, Instruction Sheet and Warning Sheet)
	592-002-030	Touch Up Paint - Blue/Gray - Low E 4.5 oz Can

## 76 Water Trim / Control Parts

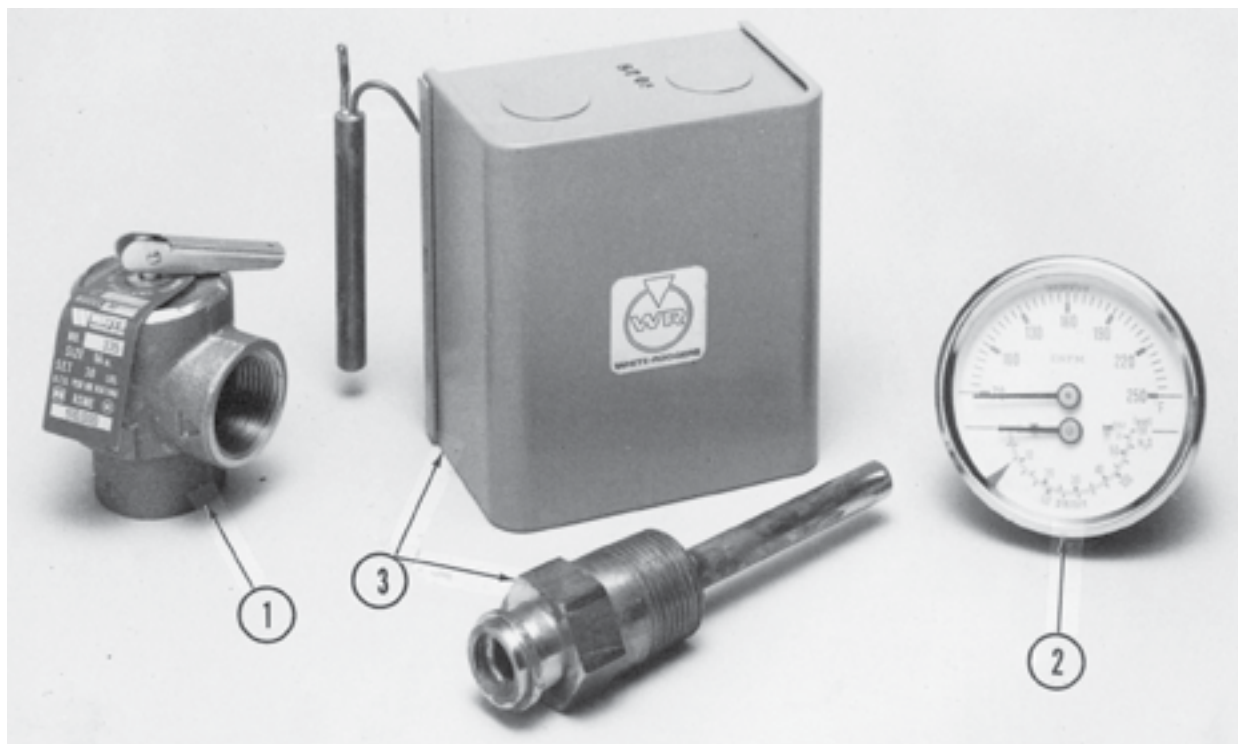


Fig. No.	Part No.	Description	76 Ser. 1 Boiler Size
1	383-600-091	ASME Pressure Relief Valve, Set To Relieve At 30 PSIG, 3/4" N.P.T. Female Inlet, Brass Side Outlet	4 - 7
	383-600-063	ASME Pressure Relief Valve, Set To Relieve At 30 PSIG, 3/4" N.P.T. Female Inlet, Brass Side Outlet	4 - 7
	383-600-063	ASME Pressure Relief Valve, Set To Relieve At 30 PSIG, 3/4" N.P.T. Female Inlet x 1" Female Side Outlet, Rated At 925,000 BTU/hr.	7 - 9
2	510-218-099	Combination Pressure-Temperature Gauge, 2 1/2" Dial, 0 - 60 PSIG, 60 - 260°F, Short Shank, Back Connection, 1/4" N.P.T.	ALL SIZES
3	510-312-065	Combination Operating and High Limit Control With Well, Operating Limit: 100-220° Range With 10-35°F Adjustable Subtractive Differential. High Limit: 140-240° Adjustable With 10°F Fixed Subtractive Differential	ALL SIZES
N/S	590-921-903	Tankless Heater - Water and Steam Boiler (Includes: Heater, Tankless Aquastat (Honeywell L4080B-1311), Gasket, Nuts and Studs.)	
	560-340-577	Tankless Nut and Stud	

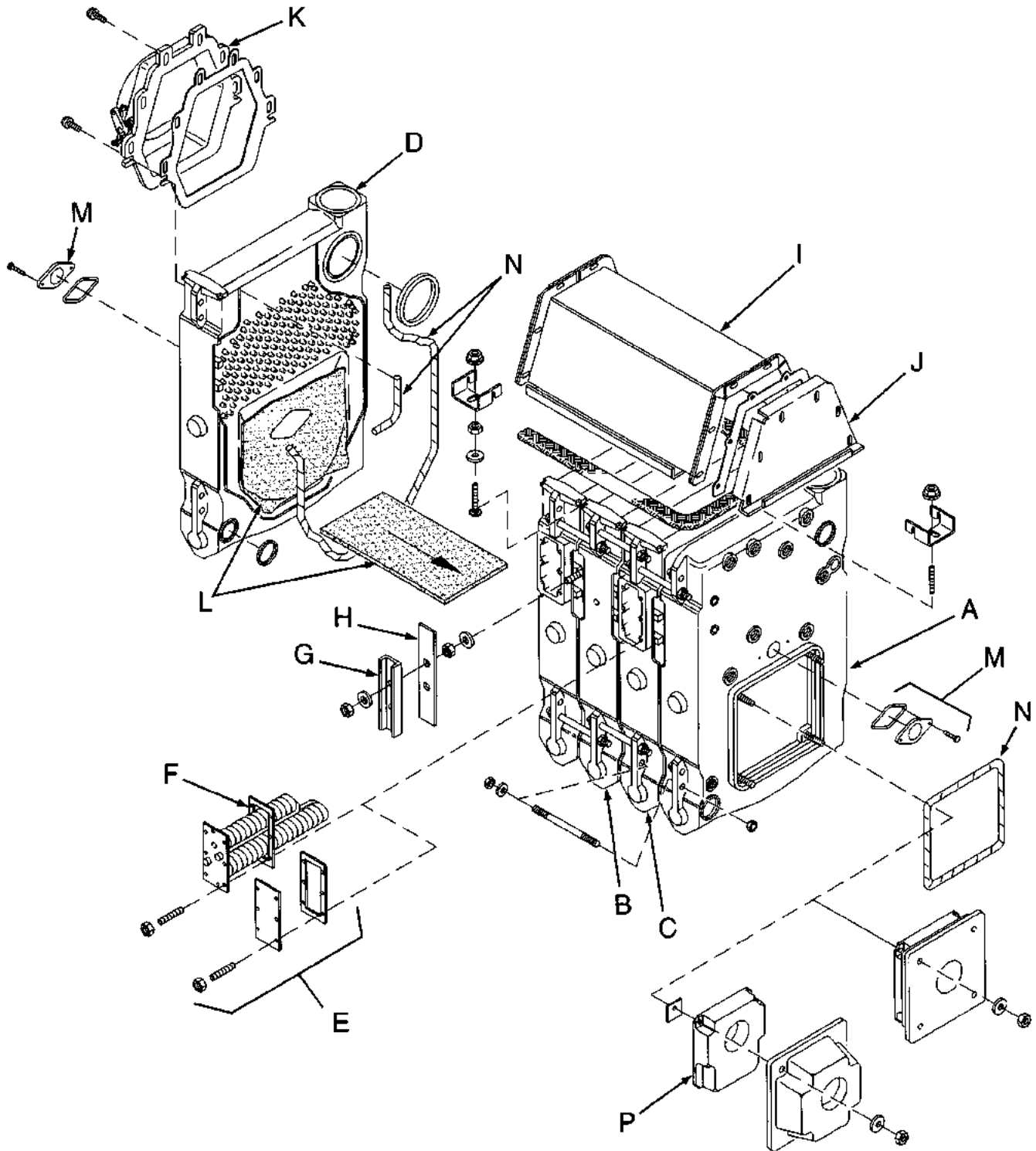
76  
Steam Trim / Control Parts



Fig. No.	Part No.	Description	Boiler Size
1	383-600-105	Steam Safety Valve, Set To Relieve At 15 PSIG, ¾" N.P.T., Side Outlet, 450 lb./hr Steam Capacity	3 – 6
	383-600-107	Steam Safety Valve, Set To Relieve At 15 PSIG, 1" N.P.T. Inlet, 1" N.P.T. Side Outlet, 643 Lb./Hr. Steam Capacity	3 – 6
2	510-312-135	High Pressure Limit, Operating Range 0 – 9 PSIG, Differential 0 – 5 PSIG	7 – 9
3	510-218-100	Combination Pressure-Vacuum Gauge, 0 – 30 PSIG, 0 – 30" High, 4½" Dial, Bottom Connection, ¼" N.P.T., Spec 05549	ALL SIZES
4	510-218-145	Water Gauge Glass Cocks, Set, ½" N.P.T., Male inlet	ALL SIZES
5	383-600-002	Water Gauge Glass Kit, ⅝" x 10⅝" With Gaskets and Brass Washers.	ALL SIZES
6	563-334-595	Water Gauge Glass Guards, 3/16" Dia. X 12½" Long (2 Required)	ALL SIZES
N/S	590-921-903	Tankless Heater – Water and Steam Boiler (Includes: Heater, Tankless Aquastat (Honeywell L4080b-1311), Gasket Nuts and Studs)	
	560-340-577	Tankless Nut and Stud	

78  
Section Assembly

GAS/OIL



## Section Assembly Parts

Fig. No.	Part No.	Description											
A	315-700-059	Front Section – 80 PSI											
B	315-700-120	Intermediate Section, Regular – 80 PSI											
	315-700-150	Intermediate Section, Supply – Steam – 80 PSI											
C	315-700-140	Intermediate Section, Tankless – 80 PSI											
D	315-700-068	Back Section – 80 PSI											
N/S	385-800-205	Section Assembly Kit For One Joint (Includes: 10' Sealing Rope Sealing Rope Adhesive, Sealing Rings and Silicone Sealant)											
E	385-700-200	Heater Cover Plate Carton (Includes: Cover Plate, Gasket, Studs and Nuts)											
N/S	560-340-577	Tankless Nut and Stud											
F	590-317-550	Heater Gasket - 5¼" X 10"											
G	450-030-928	Cleanout Plate											
H	590-317-303	Cleanout Plate Gasket											
N/S	560-340-577	Heater Studs & Nuts ¾" X 1½"											
			3	4	5	6	7	8	9	10	11	12	
I	450-020-200	Flue Collector Hood "A" 14.4	1										
	450-020-205	No Longer Available											
	450-020-210	Flue Collector Hood "C" 28.4			1			1	2	1			
	450-020-215	No Longer Available											
	450-020-220	Flue Collector Hood "E" 42.4					1					1	
N/S	385-700-215	Flue Collector Hood Hardware Kit (Includes: Fat-Stitched Sealing Rope, Double-Faced Tape, Flue Collar Gasket, Collector Hood Gaskets, Hold-Down Clips, Stud and Hardware)											
	385-700-218	Collector Hood Gasket Kit (Includes: Fat-Stitched Sealing Rope, Double-Faced Tape, Flue Collar Gasket, Collector Hood Gaskets)											
J	450-020-225	Flue Collector Hood End Cap											
K	385-700-065	Flue Collar Assembly, 8"											
	385-700-070	Flue Collar Assembly, 10"											
	385-700-075	Flue Collar Assembly, 12"											
L	385-700-220	Combustion Chamber Kit (Includes: Back Refractory Blanket, Bottom Refractory Blanket, Waterglass, Sealing Rope and Sealing Rope Adhesive)											
N/S	562-650-105	Insulation Retainer Clip											
M	385-600-099	Observation Port Assembly (Includes: Observation Port, Sealing Rope and Screws)											
N/S	591-419-199	Observation Port Glass, 2" Round X ⅛"											
N	590-735-140	Rope Fiberglass ½" Diameter x 10' Per Joint											
P	591-000-070	Burner Mounting Plate Front Refractory 4" Burner Opening											
	591-000-072	Burner Mounting Plate Front Refractory 6" Burner Opening											
N/S	560-134-490	Draw Rod ⅝" X 10" (4 Per Joint)											
	562-248-728	Washers ⅝" (1 per Rod)											
	561-928-224	⅝" – 11 Nut (2 Per Rod)											
	592-800-008	7½" Elastomer Seal, Top											
	592-800-009	3½" Elastomer Seal, Bottom											
	592-002-030	Touch Up Paint - Blue/Gray - Low E 4.5 oz Can											

78  
Water Trim Parts

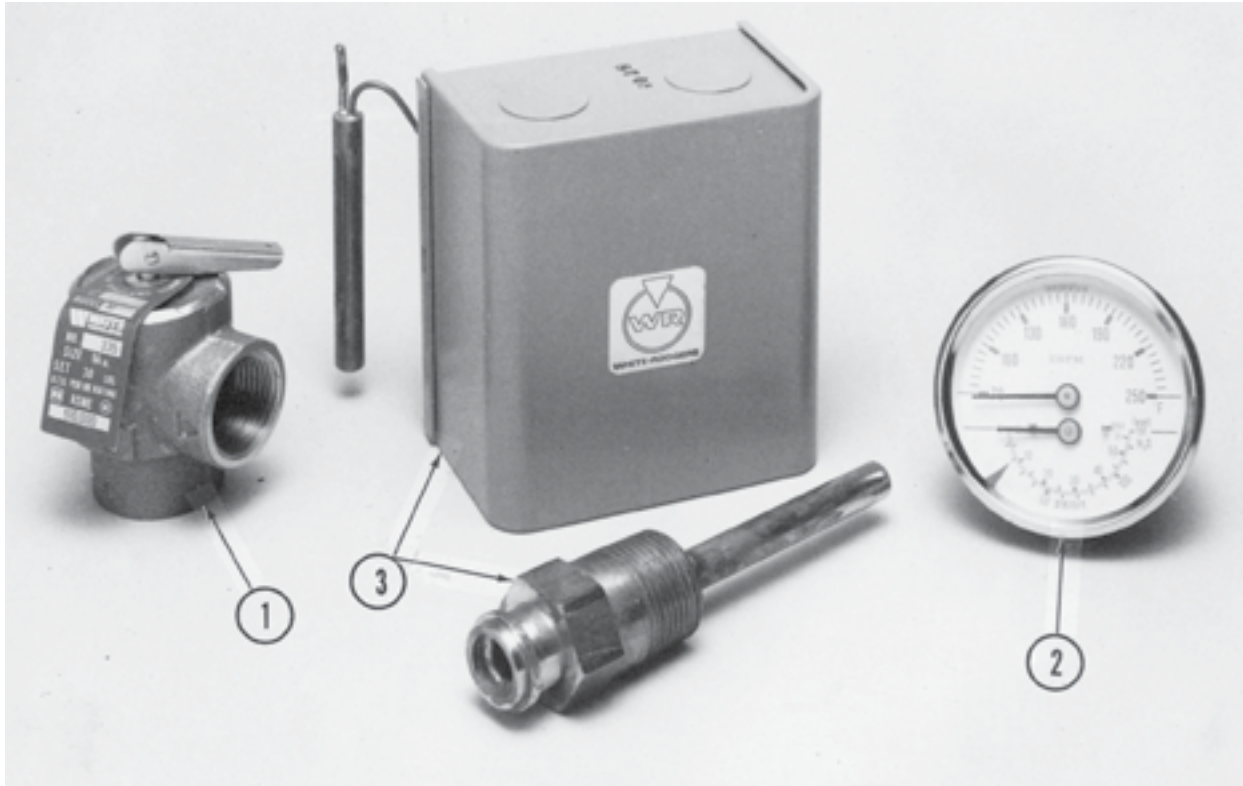


Fig. No.	Part No.	Description
1	383-600-091	ASME Pressure Relief Valve, Set To Relieve At 30 PSIG, 3/4" N.P.T. Female Inlet, Brass, 3/4" Female Side Outlet, Rated At 375,000 Btu/Hr Boiler Sizes (378 & 478)
	383-600-063	ASME Pressure Relief Valve, Set To Relieve At 30 PSIG, 3/4" N.P.T. Female Inlet, Brass, 1" Female Side Outlet, Rated At 925,000 Btu/Hr Boiler Sizes (578 - 878)
	383-600-092	ASME Pressure Relief Valve, Set To Relieve At 30 PSIG, 1" N.P.T. Female Inlet, Brass, 1 1/4" Female Side Outlet, Rated At 1,300,000 Btu/Hr Boiler Sizes (978 - 1178)
	383-600-093	ASME Pressure Relief Valve, Set To Relieve At 30 PSIG, 1 1/4" N.P.T. Female Inlet, Brass, 1 1/2" Female Side Outlet, Rated At 2,105,000 Btu/Hr Boiler Size (1278)
2	510-218-099	Combination Pressure Temperature Gauge, 2 1/2" Dia. Dial, 0-170 PSIG, 70-320°F, Short Shank, Back Connection, 1/4" N.P.T.
3	510-312-065	Combination High Limit/Low Limit Control High Limit: 140-240°F Low Limit: 140-240°F With 5-35°F Adjustable Differential: Low Limit Must Be Set 20°F Below High Limit
N/S	590-921-917	Tankless Heater - Water Or Steam (Includes: Heater, Gasket, Nuts and Studs)
	560-340-577	Tankless Nut And Stud



## 78 Steam Trim Parts

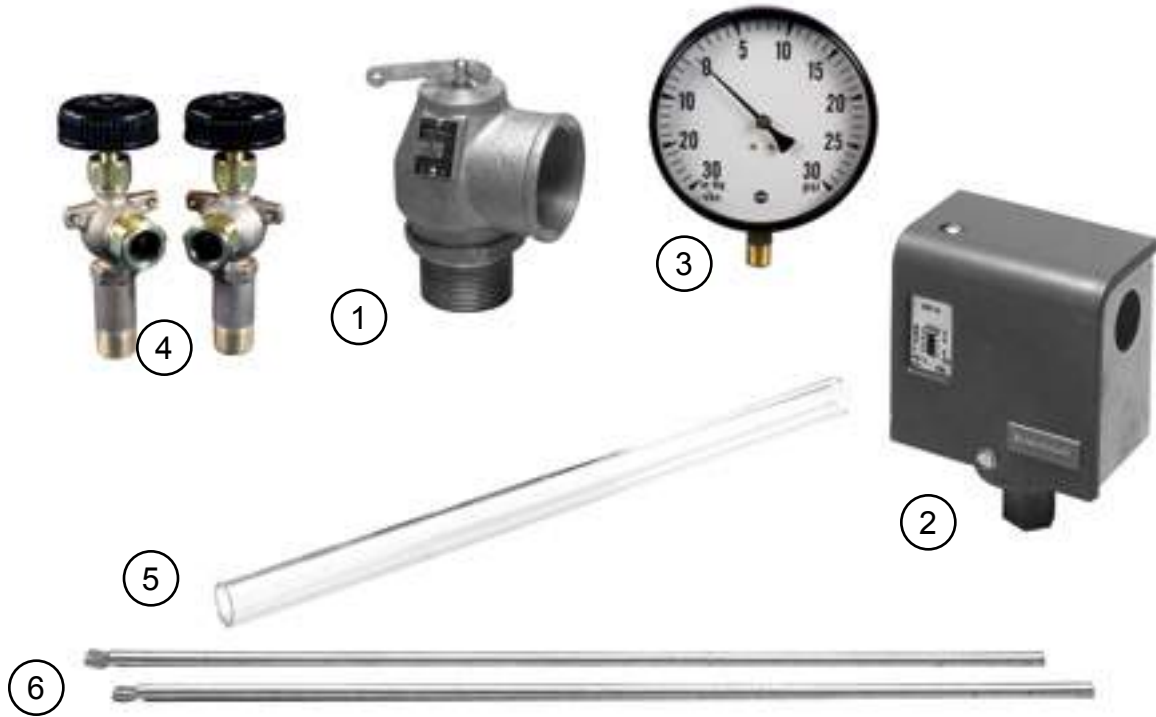


Fig. No.	Part No.	Description
1	383-600-105	Steam Relief Valve, Set To Relieve At 15 PSIG, 3/4" N.P.T., Inlet, 3/4" Side Outlet, 446 Lbs. Lbs./Hr. Steam Capacity Boiler Sizes (378 - 478)
	383-600-107	Steam Relief Valve, Set To Relieve At 15 PSIG, 1" N.P.T., Inlet, 1" Side Outlet, 643 Lbs. Lbs./Hr. Steam Capacity Boiler Sizes (578 - 678)
	383-600-108	Steam Relief Valve, Set To Relieve At 15 PSIG, 1 1/4" N.P.T., Inlet, Side Outlet, 1200 Lbs. Lbs./Hr. Steam Capacity, Brass Boiler Sizes (778 - 1078)
	383-600-109	Steam Relief Valve, Set To Relieve At 15 PSIG, 1 1/2" N.P.T., Inlet, Side Outlet, 1900 Lbs. Lbs./Hr. Steam Capacity, Brass Boiler Sizes (1178 - 1278)
2	510-312-135	Steam Pressuretrol
3	510-218-100	Combination Pressure Vacuum Gauge, 0-30 PSIG , 0-30" Hg., 4 1/2" Dial, Bottom Connection, 1/4" N.P.T.
4	510-218-145	Water Gauge Glass Cock Set, 1/2" N.P.T., Male Inlet
5	383-600-002	Water Gauge Glass Kit, 5/8" X 10 5/8" with Gaskets and Brass Washers
6	563-334-595	Gauge Glass Guards, 12 1/2" Long X 3/16" Diameter
N/S	590-921-917	Tankless Heater - Water or Steam (Includes: Heater, Gasket, Nuts and Studs)
	560-340-577	Tankless Nut and Stud

Electric Boiler  
CER - Series 2  
Parts

<b>Line Voltage Electrical Control Components Control List Electrical Power Supply - 240/60/1</b>					
Part No.	Description	Qty. Req'd Per Boiler			
		24	32	40	
591-550-250	Element 8-Kilowatt 240-Volt Single-Phase With Gasket	3	4	5	
590-317-523	Heating Element Gasket, Rubber 1¼"	5	5	5	
592-243-200	Heating Element Opening Cover Plate	2	1	0	
512-150-147	Heating Element Contactor, DPST, 24 Volt Holding Coil, 48.0 Amps, Rating-Resistive Load At 240 Volt	3	4	5	
512-050-015	Line Voltage Terminal and Fuse Block	2	2	2	
591-850-176	Heating Element Fuse 50 AMP 250 Volt	6	8	10	
511-842-361	Transformer 208/240 Volt Primary To 24 Volt Secondary, 48 VA, Foot Mounting	1	1	1	
<b>Line Voltage Electrical Control Components Control List Electrical Power Supply - 208/60/1</b>					
591-550-229	Element 8-Kilowatt 208-Volt Single or Three-phase With Gasket	3	4	5	
590-317-523	Heating Element Gasket, Rubber 1¼"	5	5	5	
592-243-200	Heating Element Opening Cover Plate	2	1	0	
512-150-147	Heating Element Contactor, DPST, 24 Volt Holding Coil, 48.0 Amps, Rating-Resistive Load At 240 Volt	3	4	5	
512-050-015	Line Voltage Terminal and Fuse Block	2	2	2	
591-850-176	Heating Element Fuse 50 AMP 250 Volt	6	8	10	
511-842-361	Transformer 208/240 Volt Primary To 24 Volt Secondary, 48 VA, Foot Mounting	1	1	1	
<b>Line Voltage Electrical Control Components Control List Electrical Power Supply - 208/60/3</b>					
591-550-229	Element 8-Kilowatt 208-Volt Single or Three-phase With Gasket	3	4	5	
590-317-523	Heating Element Gasket, Rubber 1¼"	5	5	5	
592-243-200	Heating Element Opening Cover Plate	2	1	0	
512-150-149	Heating Element Contactor, 3PST, 24 Volt Holding Coil, 50.0 Amps, Rating-Resistive Load At 480 Volt	3	4	5	
512-050-017	Line Voltage Terminal and Fuse Block	3	3	3	
591-850-174	Heating Element Fuse 30 AMP 250 Volt	9	15	15	
511-842-361	Transformer 208/240 Volt Primary To 24 Volt Secondary, 48 VA, foot Mounting	1	1	1	

ADDITIONAL



Electric Boiler  
CER - Series 2  
Parts

<b>Line Voltage Electrical Control Components Control List Electrical Power Supply - 240/60/3</b>				
Part No.	Description	Qty. Req'd Per Boiler		
		24	32	40
591-550-249	Element 8-Kilowatt 240-Volt Three-phase with Gasket	3	4	5
590-317-523	Heating Element Gasket, Rubber 1¾"	5	5	5
592-243-200	Heating Element Opening Cover Plate	2	1	0
512-150-149	Heating Element Contactor, 3PST, 24 Volt Holding Coil, 50.0 Amps, Rating-Resistive Load At 480 Volt	3	4	5
512-050-017	Line Voltage Terminal and Fuse Block	3	3	3
591-850-174	Heating Element Fuse 30 AMP 250 Volt	9	12	15
511-842-361	Transformer 208/240 Volt Primary To 24 Volt Secondary, 48 VA, Foot Mounting	1	1	1
<b>Line Voltage Electrical Control Components Control List Electrical Power Supply - 480/60/3</b>				
591-550-272	Element 8-Kilowatts 480-Volt Three-phase With Gasket	3	4	5
590-317-523	Heating Element Gasket, Rubber 1¾"	5	5	5
592-243-200	Heating Element Opening Cover Plate	2	1	0
512-050-017	Line Voltage Terminal and Fuse Block	3	3	3
591-850-178	Heating Element Fuse 15 AMP 600 Volt	9	12	15
511-842-362	Transformer 480 Volt Primary To 24 Volt Secondary, 48 VA, Foot Mounting	1	1	1

ADDITIONAL

Electric Boiler  
CER - Series 2  
Parts

<b>Water Trim and Control Components Control List</b>				
<b>Electrical Power Supply - 208/60/1, 240/60/1, 208/6/3, 240/60/3, 480/60/3</b>				
Part No.	Description	Qty. Req'd Per Boiler		
		24	32	40
562-850-089	Door Latch With Retainer, Push-On Clip and Knob	1	1	1
		1	1	1
510-350-061	Control, DPST, Automatic Recycle Low Limit: 120-220°F Range, 10-25°F Adjustable Subtractive Differential High Limit: 140-240°F Range, 10°F Fixed Subtractive Differential	1	1	1
383-600-091	ASME Pressure Relief Valve, Set To Relieve At 30 PSIG, 3/4" N.P.T. Female Inlet, Brass, Side Outlet	1	1	1
388-800-185	Replacement Pressure Gauge Kit	1	1	1
<b>Line Voltage Control Circuit Electrical Control Components Control List</b>				
<b>Electrical Power Supply - 208/60/1, 240/60/1, 208/6/3, 240/60/3, 480/60/3</b>				
510-350-211	Electrical Delay Timer, Solid State, 2 1/2 Minute Delay On Make, 24 Volt	2	3	4
388-800-187	Thermal Time Delay Kit, 15 Sec. Delay on Make, 10 Sec. Delay On Break, SPST, 24 Volt	2	3	4
510-350-219	Circulator Relay, SPST, 24 Volt Holding Coil	1	1	1
512-050-022	Low Voltage Terminal Block	1	1	1
<b>Miscellaneous Parts</b>				
592-002-030	Touch Up Paint - Blue/Gray - Low E, 4.5oz Can			

ADDITIONAL

## Electric Boiler CE - Series 2 Parts

Part No.	Description
318-302-100	CES & CEW Section
590-317-523	Element Gasket, Rubber 1¼"
510-312-135	Pressuretrol
510-350-061	Limit Control Without Well 140-240°
510-350-211	Solid State Timer, 24 Volt, 2½ Minute Delay On Make
510-350-220	Time Delay Control - Thermal, 30 Second Delay On Make
510-350-219	Pump Relay Control
511-144-494	Low Water Cutoff, 24 Volt
510-632-088	Expansion Tank Without Fill Valve
511-210-423	Drain Cock ¾" N.P.T, 1½" Shank
511-210-434	Fill Valve Angle Style-90 With Built-in Strainer, Pressure Reducer, Check Valve Requires User Provided Shut-off Valve
511-405-117	Pump DWG DA-E100-A Electric Boiler
383-600-091	Water Relief Valve, 30 PSI, ¾" Female
383-600-105	Steam Relief Valve, 15 PSI, ¾" Female
511-842-365	Transformer 208/240 Volt
388-800-000	Transformer 480 Volt
512-050-013	Terminal Block
512-050-019	
512-050-021	
512-050-023	
512-150-147	Contactactor - Single Phase
512-150-149	Contactactor - Three Phase
562-850-089	Door Knob Latch With Pawl
563-334-580	Glass Guard Rods 3/16" x 9⅞" - (2 Required)
383-600-000	Gauge Glass Kit (Includes: Glass, Gaskets, and Brass Washers)
591-550-164	Element With Gasket 16KW 208 Volt
591-550-165	Element With Gasket 16KW 240 Volt
591-550-166	Element With Gasket 16KW 480 Volt
591-550-229	Element With Gasket 8KW 208 Volt
591-550-250	Element With Gasket 8KW 240 Volt
591-850-176	Fuse 50AMP, 250 Volt
591-850-179	Fuse 30AMP, 600 Volt
591-850-181	Fuse 60AMP, 250 Volt
591-850-185	Fuse 10AMP
510-218-045	Steam Gauge Center Rear Mount 0-30 PSI
388-800-185	Replacement Pressure Gauge Kit
592-243-200	Element Opening Cover Plate
592-002-030	Touch Up Paint - Blue/Gray - Low E 4.5 oz Can

ADDITIONAL

**Electric Boiler  
PER - Series 3  
Parts**

Part No.	Description	Qty. Per Boiler		
		15	20	25
590-317-523	Heating Element Gasket, Rubber 1¼"	3	4	5
510-350-061	Combination Low Limit/High Limit Temperature Control, DPST, Automatic Recycle Low Limit: 120-220°F Range, 10-25°F Adjustable Subtractive differential. High Limit: 140-240°F Range, 10°F Fixed Subtractive Differential	1	1	1
510-350-211	Electronic Delay Timer, Solid State, 2½ Minute Delay On Make, 24 Volt	2	3	4
388-800-187	Thermal Time Delay Kit, 15 Sec. Delay On Make, 10 Sec. Delay On Break, SPST, 24 Volt	2	3	4
510-350-219	Circulator Relay, SPST, 24 Volt Holding Coil	1	1	1
510-632-088	Expansion Tank Without Fill Valve	1	1	1
511-210-423	Drain cock ¾" N.P.T 1½" Shank	1	1	1
511-210-434	Fill Valve Angle Style-90 With Built-in Strainer, Pressure Reducer, Check Valve Requires User Provided Shut-off Valve	1	1	1
511-405-117	Pump DWG, DA-E100-A Electric Boiler	1	1	1
383-600-091	ASME Pressure Relief Valve, Set To Relieve At 30 PSIG, ¾" N.P.T. Female Inlet, Brass, Side Outlet	1	1	1
		1	1	1
511-842-361	Transformer 208/240 Volt Primary To 24 Volt Secondary, 48VA, Foot Mounting	1	1	1
512-050-013	Low Voltage Terminal Block	1	1	1
512-150-147	Heating Element Contactor, DPST, 24 Volt Holding Coil	3	4	5
562-850-089	Door Knob Latch With Pawl	1	1	1
		1	1	1
590-317-535	Circulator Gasket (Two Required Per Unit)	2	2	2
		2	2	2
591-550-135	Element 5-Kilowatt 240-Volt Single-Phase With Gasket	3	4	5
591-850-172	Control Circuit Fuse 15 AMP	1	1	1
591-850-174	Control Circuit Fuse 30 AMP	6	8	10
592-300-010	Temperature Control Well, Brass. ¾" N.P.T.	1	1	1
510-148-567	Automatic Air Vent, Float Type, ⅛" N.P.T.	1	1	1
510-350-218	Pump Temperature Control	1	1	1
381-354-526	Circulator Universal Hardware Kit 1¼" (Includes: (1) 1 ¼" C.I. Pump Flange, (1) Universal Circulator Gasket, (2) Screws and Nuts)	2	2	2
388-800-185	Replacement Pressure Gauge Kit	1	1	1
592-243-200	Heating Element Opening Cover Plate	2	1	
592-002-030	Touch Up Paint - Blue/Gray - Low E, 4.5oz Can			

ADDITIONAL

## Gold Plus / Ultra Plus / Plus Residential Water Heater Parts

Part No.	Description	Model
633-900-130	Residential Thermostat, (Includes: Knob, Thermostat, Screws and Instructions) 90 -160 Degree Range	Plus 30-60 Gold & Ultra- Plus 30-80
633-900-102	Thermostat With Cover Plate Kit, (Includes: T-Stat, Knob, Snap Set, and Cover Plate with Fasteners, and Instructions)	Gold & Ultra Plus 30-80
635-600-145	Snap Set With Wire Connector	Gold & Ultra Plus 30-80
635-100-003	Automatic Air Vent # 400 - ½" N.P.T, 150 P.S.I - 240 Degree	ALL
635-700-014	Bag Assembly Kit – (Includes :Air Vent, Reducer Bushing, Brass Tee, Drain Valve, and Drain Valve Cap With Washer)	Gold & Ultra Plus 30-80
633-900-117	Drain Valve Kit - (Includes: ¾" Drain Valve, ¾" Brass Tee, Hose Bib)	Plus 30-60 Gold & Ultra- Plus 30-80
635-100-017	Zoning Circulator – (Taco 007)	Combo 40C
635-100-019	Zoning Circulator Priority Circuit Board – (Taco 007)	Combo 40C
633-900-209	Zone Valve Replacement Kit, (Includes: Valve body, Valve actuator, & Wiring harness)	Combo 30/40V
633-900-118	Dip Tube Kit – ¾" (Includes: 34" Dip Tube, O Rings, & Instructions)	ALL Size 30
633-900-119	Dip Tube Kit – ¾" (Includes: 42" Dip Tube, O Rings, & Instructions)	ALL Size 40
633-900-120	Dip Tube Kit – ¾" (Includes: 52" Dip Tube, O Rings, & Instructions)	ALL Size 60
633-900-125	Dip Tube Kit – ¾" (Includes: 61" Dip Tube, O Rings, & Instructions)	Gold & Ultra Plus 80
635-600-096	Dip Tube O-ring – ¾"	Plus 30-60 Gold & Ultra- Plus 30-80
635-600-061	Drywell Replacement Kit – (Includes: 19.68" Drywell, Loctite, and Instructions)	ALL 30
635-600-062	Drywell Replacement Kit – (Includes: 27.56" Drywell, Loctite, and Instructions)	ALL 40
635-600-063	Drywell Replacement Kit – (Includes: 37.40" Drywell, Loctite, and Instructions)	ALL 60
635-600-064	Drywell Replacement Kit – (Includes: 47.25" Drywell, Loctite, and Instructions)	ALL 80
635-600-150	Drywell O-ring Kit – (Includes: Rubber & Copper O-Rings, Loctite, and Instructions)	ALL
635-600-139	Plastic Top Cover (Old Style, Drywell in back) – (Specify Tank Size When Ordering)	Gold & Ultra Plus 30-80
633-800-440	Plastic Top Cover (New Style, Drywell In Front) – These Covers Used With Series 3 Tanks - (Need CP Number To Confirm) – (Specify Tank Size When Ordering)	Gold & Ultra Plus 30-80
	Gold Plus-30 – (CP Number Greater Than 5216231)	
	Gold Plus-40 – (CP Number Greater Than 5216747)	
	Gold Plus-60 – (CP Number Greater Than 5217621)	
634-200-166	Plastic Bottom	Gold & Ultra Plus 30-80

ADDITIONAL

## Plus Commercial Water Heater Parts

Part No.	Description	Model
635-100-010	Commercial Thermostat – (Includes Thermostat and Instructions) 90 – 190° Range-- Has 2 Prong Connection	Plus 80/100/120 Gold Plus 100/110/119
635-600-080	Snap Set With Wire Connector	Plus 80/100/120 Gold Plus 100/110/119
635-600-205	Thermostat Cover Plate With Plastic Fasteners	Plus 100/110/119
635-600-084	Thermometer	Plus 80/100/120
635-100-003	Automatic Air Vent – ½" N.P.T	ALL
633-900-115	Dip Tube Kit – 1½" (Includes: Dip Tube, O-Rings, & Instructions) , 61"	Plus 100/120 Gold Plus 100/110/119
635-600-098	Dip Tube O-ring – (1½")	Plus 100/120
635-600-065	Drywell Replacement Kit – (Includes: 51¼" Drywell, Loctite, & Instructions)	Plus 100/120
635-600-150	Drywell O-ring Kit – (Includes: Rubber & Copper O-Rings, Loctite and Instructions)	ALL
633-800-441	Plastic Top Cover --- 26½" Outside Diameter --- Series 3	Gold Plus 100/110
633-800-442	Plastic Top Cover --- 32¼" Outside Diameter --- Series 3	Gold Plus 119
634-200-167	Bottom Cover	Gold Plus 100/110
634-200-168	Bottom Cover	Gold Plus 119

ADDITIONAL

## Multiple Boiler Control / Zone Controller Parts

<b>EMCS Energy Management/Staging Control</b>	
Part No.	Description
389-900-229	Universal 3-In-1 Sensor. Outdoor, Indoor Strap On, or Well Sensor
511-624-643	Pressure Sensor Assembly (Includes: Sensor With Transducer, Junction Box)
510-350-411	Output Relay, DPDT, 24 Volts DC
<b>* EMCS Controls Are Obsolete. Replace With Appropriate BCP Panel. All Other Parts Are Obsolete With No Replacement.</b>	
<b>BCP Energy Management/Boiler Staging Control</b>	
389-900-229	Universal 3-In-1 Sensor. Outdoor, Indoor Strap On, or Well Sensor
511-624-643	Pressure Sensor Assembly (Includes: Sensor With Transducer, Junction Box)
510-350-411	Output Relay, DPDT, 24 Volts DC
389-900-230	3/8" Brass Sensor Only, With 8" Leads
<b>WMCR Circulator Zone Control</b>	
510-311-021	Circulator Plug In Relay - (24 VAC Coil)
510-311-022	Control Plug In Relay - (120 VAC Coil) - (WMCR-3,4 and 6 <b>ONLY</b> )
591-850-078	18" Telephone Cable Connector - (Connects To WMCR-1E/4E)
511-842-370	Field Mounted 40 VA Transformer - (Not Used On WMCR-1E/4E)
<b>WMZV Zone Valve Control</b>	
510-311-021	Circulator Plug In Relay - (24 VAC Coil)
511-842-370	Field Mounted 40 VA Transformer - (Used On WMZV-4 <b>ONLY</b> )
511-842-364	Field Mounted 75 VA Transformer - (Used On WMZV-6 <b>ONLY</b> )
<b>WMR Switching Relay</b>	
510-311-021	Circulator Plug In Relay - (24 VAC Coil)
<b>WM-ODR Outdoor Reset Control</b>	
511-724-279	Two Wire Water Temperature Sensor
511-724-280	Two Wire Outdoor Sensor With Housing

ADDITIONAL

# Manufacturing Dates By Series

## GAS BOILERS

<b>AHE</b>	
Series 1	Never Marketed
Series 2	May 1985 - April 1987
Series 3	April 1987 - June 2000
Series 4	June 2000 - June 2005 -- Discontinued

<b>CGa</b>	
Series 1	April 2000 - September 2012
Series 2	September 2012 to Present

<b>CGi</b>	
Series 1	June 1997 - April 2000
Series 2	April 2000 - September 2012
Series 3	September 2012 to Present

<b>CGM, CG and P-CG</b>	
Series 1	February 1967 - November 1971
Series 2 & 3	Never Marketed
Series 4	November 1971 - April 1975
Series 5	April 1975 - January 1977
Series 6	January 1977 - May 1980
Series 7	May 1980 - April 1983
Series 8	April 1983 - July 1987
Series 9	July 1987 - January 1991
Series 10	January 1991 - November 1991
Series 11	November 1991 - December 1995
Series 12	January 1996 - April 2000 -- Discontinued

<b>CGs</b>	
Series 1	October 1999 - September 2012 -- Discontinued

<b>CGt</b>	
Series 1	September 2001 - January 2013 -- Discontinued
Series 2	June 2012 - Present

<b>CGx</b>	
Series 1	August 1995 - December 1995
Series 2	January 1996 - April 2000 -- Discontinued

<b>D and PD</b>	
Series 1	August 1961 - January 1965
Series 2	November 1964 - May 1965
Series 3	April 1965 - February 1967 -- Discontinued

<b>E</b>	
Series 1	March 1960 - April 1962
Series EB	April 1962 - April 1965
Series 2	April 1965 - May 1970
Series 3	May 1970 - August 1975 -- Discontinued

<b>EG - Standard Without Tankless Opening/Optional With Tankless Opening</b>	
Series 1	August 1975 - April 1985
Series 1	April 1985 - January 1991
Series 2	January 1991 - November 1991
Series 3	November 1991 - December 1995
Series 4	January 1996 - September 2012
Series 5	September 2012 to Present

<b>P-EG</b>	
Series 1	August 1975 - April 1977 -- Discontinued
Boilers Below Offered as Packaged Steam Units Without Tankless Heater	
Series 2	August 1978 - January 1991
Series 3	January 1991 - November 1997
Series 4	January 1996 - September 2012
Series 5	September 2012 to Present

<b>EGH</b>	
Series 1	August 1975 - March 1978
Series 2	March 1978 - April 1985
Boilers Below Offered Standard without Tankless Opening/ Optional With Tankless Opening	
Series 2	April 1985 - August 1990
Series 3	August 1990 - December 1995
Series 4	January 1996 - December 2012
Series 5	December 2012 to Present

<b>G</b>	
Series 1	February 1949 - April 1951
Series 2	April 1951 - August 1957
Series 3	August 1957 - April 1961 -- Discontinued

<b>GV</b>	
Series 1	June 1990 - May 1993
Series 2	May 1993 - July 1999
Series 3	July 1999 - July 2001
Series 4	July 2001 - June 2011

<b>H</b>	
Series 1	March 1952 - June 1954
Series 2	June 1954 - May 1956
Series 3	May 1956 - August 1961
Series 4	August 1961 - November 1966 -- Discontinued

<b>HE</b>	
Series 1	September 1981 - July 1982
Series 2	July 1982 - May 1985
Series 3	May 1985 - July 1991 -- Discontinued
<b>HEII</b>	
Series 1	July 1991 - June 1997

ADDITIONAL



# Manufacturing Dates By Series

## GAS BOILERS

<b>HG</b>	
Series 1	February 1966 - October 1970 -- Discontinued

<b>J</b>	
Series 1	September 1955 - September 1957
Series 2	September 1957 - March 1960
Series 3	March 1960 - June 1965 -- Discontinued

<b>JB</b>	
Series 1	November 1964 - July 1970 -- Discontinued

<b>K</b>	
Series 1	April 1964 - December 1969
Boiler Discontinued (Series 1) - December 1969	
Series 3	April 1972 - August 1975
Boiler Discontinued (Series 2) - August 1975	

<b>LG</b>	
Series 1	April 1970 - July 1972
Series 2	July 1972 - May 1977 -- Discontinued

<b>LGB</b>	
Series 1	August 1985 - June 1993
Series 2	June 1993 - Present

<b>MG</b>	
Series 1	June 1969 - April 1973 -- Discontinued

<b>MGB</b>	
Series 1	April 1973 - January 1984
Series 2	January 1984 - December 1985 -- Discontinued

<b>PFG</b>	
Series 1	February 1972 - February 1977
Series 2	February 1977 - July 1981
Series 3	July 1981 - January 1989
Series 4	January 1989 - December 1991
Series 5	December 1991 - December 1995
Series 6	January 1996 - February 2006
Series 7	February 2006 - September 2012 -- Discontinued

<b>PAG</b>	
Series 1	August 1956 - August 1957
Series 2	August 1957 - April 1961 -- Discontinued

<b>VHE</b>	
Series 1	September 1981 - July 1982

Series 2	July 1982 - May 1985
Series 3	May 1985 - June 1990 -- Discontinued

<b>Ultra Gas</b>	
Series 1	November 2002 - May 2004
Series 2	May 2004 - July 2008
Series 3	July 2008 - September 2009
Series 3UE	September 2009 - February 2013
Series 3UE-CT	February 2013 - July 2017
Series 4	July 2017 to Present

<b>Ultra Commercial/Slimfit 550/750</b>	
Series 1	November 2009 - October 2014
Series 2 With U-Control	October 2014 - September 2015
Series 2 With Evergreen Control	September 2015 - Present

<b>SlimFit</b>	
Series 1	June 2013 - August 2017
Series 2	August 2017 to Present

<b>WM97+</b>	
Series 1	September 2011 - February 2013
Series 1-CT	February 2013 - February 2017
Series 2	February 2017 to Present

<b>GV90+</b>	
Series 1	June 2011 - September 2012
Series 2	September 2012 to Present

<b>ECO</b>	
Series 1	May 2013 - February 2017
Series 2	February 2017 to Present

<b>AquaBalance</b>	
Series 1	September 2016 to Present

# Manufacturing Dates By Series

## ROUND BOILERS

<b>OB15</b>	
Series 1	May 1950 - September 1951
Series 2	September 1951 - June 1953
Series 3	June 1953 - June 1962 - Discontinued

<b>OB18</b>	
Series 1	June 1952 - June 1954
Series 2	Never Marketed
Series 3	June 1954 - June 1962 - Discontinued

<b>PAG</b>	
Series 1	August 1956 - August 1957
Series 2	August 1957 - April 1961 - Discontinued

<b>POB15</b>	
Series 3	November 1953 - January 1958
Series 4	January 1958 - June 1962 - Discontinued

<b>POB18</b>	
Series 4	August 1955 - June 1962 - Discontinued
Series 5 Boiler	
Series 5	May 1952 - April 1955
Series 5A	April 1955 - September 1955 - Discontinued

<b>ROB18</b>	
Series 1	June 1953 - April 1954
Series 2	April 1954 - June 1954
Series 3	June 1954 - December 1964 - Discontinued

<b>RO2-6, RO3-6, RO3-7, RO4-6, RO4-7</b>	
Series 1	May 1932 - April 1934
Series 2	April 1934 - March 1935
Series 3	March 1935 - July 1937
Series 4	July 1937 - April 1951
Series 5	April 1951 - April 1953 - Discontinued

<b>Round Boilers, Jacketed (SJ or WJ)</b>	
Series D	February 1935 - September 1937 - Discontinued

<b>17" Round, Hand-Fired</b>	
Series B	November 1922 - September 1924
Series C	September 1924 - April 1928
Series D	April 1928 - March 1944 - Discontinued

<b>19" Round, Hand-Fired</b>	
Series B	November 1922 - September 1924
Series C	September 1924 - March 1928
Series D	March 1928 - March 1934
Series E	March 1934 - January 1964 - Discontinued

<b>22" Round, Hand-Fired</b>	
Series B	November 22 - May 1924
Series C	May 1924 - March 1928
Series D	March 1928 - April 1951
Series E	April 1951 - January 1964 - Discontinued

<b>25" Round, Hand-Fired</b>	
Series B	November 1922 - May 1924
Series C	May 1924 - March 1928
Series D	March 1928 - April 1951
Series E	April 1951 - January 1962 - Discontinued

<b>28" Round, Hand-Fired</b>	
Series B	November 1922 - May 1924
Series C	May 1924 - March 1928
Series D	March 1928 - April 1951
Series E	April 1951 - April 1953 - Discontinued

<b>31" Round, Hand-Fired</b>	
Series B	November 1922 - May 1924
Series C	May 1924 - March 1928
Series D	March 1928 - April 1946 - Discontinued

<b>17" Round, Automatic-Fired</b>	
Series B	November 1922 - September 1924
Series C	September 1924 - April 1928
Series D	April 1928 - March 1934
Series 1	March 1934 - February 1944 - Discontinued

<b>19" Round, Automatic-Fired</b>	
Series B	November 1922 - September 1924
Series C	September 1924 - March 1928
Series D	March 1928 - March 1934
Series 1	March 1934 - April 1951
Series 2	April 1951 - January 1964 - Discontinued

<b>22" Round, Automatic-Fired</b>	
Series B	November 1922 - May 1924
Series C	May 1924 - March 1928
Series D	March 1928 - April 1934
Series 1	April 1934 - April 1951
Series 2	April 1951 - January 1964 - Discontinued

ADDITIONAL

## Manufacturing Dates By Series ROUND BOILERS

<b>25" Round, Automatic-Fired</b>	
Series B	November 1922 - May 1924
Series C	May 1924 - March 1928
Series D	March 1928 - March 1934
Series 1	March 1934 - April 1951
Series 2	April 1951 - January 1964 - Discontinued

<b>28" Round, Automatic-Fired</b>	
Series B	November 1922 - May 1924
Series C	May 1924 - March 1928
Series D	March 1928 - March 1934
Series 1	March 1934 - April 1951
Series 2	April 1951 - April 1953 - Discontinued

<b>31" Round, Automatic-Fired</b>	
Series B	November 1922 - May 1924
Series C	May 1924 - March 1928
Series D	March 1928 - March 1934 - Discontinued

# Manufacturing Dates By Series

## OIL BOILERS

<b>P35</b>	
Series 1	June 1971 - June 1972 - Discontinued

<b>P42</b>	
Series 1	August 1964 - April 1967 - Discontinued

<b>P43</b>	
Series 1	April 1967 - June 1971 - Discontinued

<b>P52</b>	
Series 1	March 1963 - December 1964 - Discontinued

<b>P62</b>	
Series 1	January 1961 - July 1972 - Discontinued

<b>B62 &amp; A62</b>	
Series 1	January 1961 - April 1962
Series 2	April 1962 - January 1975 - Discontinued

<b>P-65 (Water)</b>	
Series 1	June 1972 - February 1974 - Discontinued

<b>P-65 (Steam)</b>	
Series 1	December 1972 - February 1974 - Discontinued

<b>A &amp; B65</b>	
Series 1	May 1973 - August 1974
Series 2	August 1974 - April 1978
Series 3	April 1978 - April 1978 - Discontinued

<b>A-66E</b>	
Series 1	Never Marketed
Series 2	Never Marketed
Series 3	March 1978 - April 1987 - Discontinued

<b>B-66E</b>	
Series 1	Never Marketed
Series 2	Never Marketed
Series 3	March 1978 - April 1984 - Discontinued

<b>P-66/P-66E</b>	
Series 1	February 1974 - April 1978
Series 2	Never Marketed
Series 3	March 1978 - April 1984 - Discontinued
	P-66E Marketed Only as Series 3

<b>B-66HE</b>	
Series 1	Never Marketed
Series 2	Never Marketed
Series 3	March 1978 - April 1984 - Discontinued

<b>P-66HE</b>	
Series 1	Never Marketed
Series 2	Never Marketed
Series 3	June 1983 - April 1984 Weil-McLain Burner
	April 1984 - April 1987 Weil-McLain Burner - Discontinued

<b>P-66HEA, Top Flue Outlet</b>	
Series 1	Never Marketed
Series 2	Never Marketed
Series 3	August 1983 - April 1984 Weil-McLain Burner
	April 1984 - April 1987 Weil-McLain Burner, Also Beckett & Carlin
	May 1985 - April 1987 Incorporated P-266HEA-W
Boiler Discontinued - April 1987	

<b>P66WT-B (about 300 units)</b>	
Series 2	December 1977 only Sections used push nipples; Beckett oil burner
Boiler Discontinued - December 1977	

<b>P-68, B-68 and A-68</b>	
Series 1	April 1987 - April 1995 - Discontinued

<b>P-68V, B-86V and A-68V</b>	
Series 1	April 1987 - April 1995 - Discontinued

<b>B-72</b>	
Series 1	March 1956 - August 1966 - Discontinued

<b>A-72</b>	
Series 1	March 1956 - August 1966 - Discontinued

<b>B-73</b>	
Series 1	August 1966 - May 1976 - Discontinued

<b>FA-73</b>	
Series 1	August 1967 - May 1976 - Discontinued

<b>B-76</b>	
Series 1	September 1975 - May 1993 - Discontinued

<b>B-78</b>	
Series 1	May 1993 - July 2002 - Discontinued

<b>B-82 &amp; A-82</b>	
Series 1	April 1958 - August 1975 - Discontinued

<b>B-84</b>	
Series 1	February 1956 - September 1969
Series 2	September 1969 - April 1977 - Discontinued

ADDITIONAL

# Manufacturing Dates By Series OIL BOILERS

<b>B-86</b>	
Series 1	July 1974 - February 1985 - Discontinued

<b>P-86</b>	
Series 1	January 1975 - February 1985 - Discontinued

<b>B-88</b>	
Series 1	February 1985 - March 2008
Series 2	March 2008 - Present

<b>Gold Oil (WGO, WTGO, SGO)</b>	
Series 1	April 1995 - June 1996
Series 2	June 1996 - June 1997
Series 3	June 1997 - Present

<b>SF-90</b>	
Series 1	August 1979 - January 1983
Series 2	January 1983 - April 1985 - Discontinued

<b>B-92</b>	
Series 1	August 1963 - March 1965
Series 2	March 1965 - August 1969
Series 3	August 1969 - August 1975 - Discontinued

<b>BH-92</b>	
Series 1	August 1963 - January 1965 - Discontinued

<b>HR-92</b>	
Series 1	August 1965 - January 1965 - Discontinued

<b>B-94</b>	
Series 1	March 1965 - July 1967
Series 2	July 1967 - January 1983
Series 3	January 1983 - Present

<b>H-94</b>	
Series 1	March 1965 - July 1967
Series 2	July 1967 - January 1983
Series 3	January 1983 - Present

<b>80</b>	
80 Series 1	July 2002 - Present

<b>Ultra Oil</b>	
Series 1	November 2005 - September 2012
Series 2	September 2012 - October 2014
Series 3	October 2014 - Present

## Indirect-Fired Water Heaters

Plus, Combo Series 1	August 1991 - August 1998 - Discontinued
Plus, Gold Series 2	August 1998 - August 2008 - Discontinued
Plus, Gold Plus, Ultra Plus Series 3	August 2008 - January 2012 - Discontinued
Aqua Plus	June 2011 - Present
Aqua Logic	July 2013 - Present

## Energy Management/Multiple Boiler Controls

EMCS	Approx.-1984 - May 2001 - Discontinued
BCP-3,6,12	May 2001 - April 2008 - Discontinued
BCP-3 8W, 8S, BMC, BSC	April 2008 - Present

## Electric Boilers

<b>CS</b>	
Series 1	April 1967 - January 1970
Series 1A	January 1970 - June 1971
Series 4	June 1971 - January 1972
Series 5	January 1972 - August 1975 - Discontinued
<b>C</b>	
Series 1	February 1965 - August 1965
Series 2	August 1965 - March 1966
Series 3	March 1966 - January 1970
Series 3A	January 1970 - June 1971
Series 4	June 1971 - December 1973
Series 5	December 1973 - January 1975 - Discontinued
<b>ER</b>	
Series 1	August 1972 - August 1975
Series 2	August 1975 - July 1980
Series 3	July 1980 - June 2005 - Discontinued
<b>PER</b>	
Series 1	August 1972 - August 1975
Series 2	August 1975 - July 1980
Series 3	July 1980 - June 2005 - Discontinued
<b>CER</b>	
Series 1	June 1973 - July 1980
Series 2	July 1980 - June 2005 - Discontinued
<b>CE</b>	
Series 1	August 1975 - February 1982
Series 2	February 1982 - June 2005 - Discontinued

## Miscellaneous Products

Radiant Products	2002-2006 - Discontinued
QB-180/300 Burners	1996-2001 - Discontinued

## **Burner Manufacturer Contact Information**

When ordering burner repair parts from the following manufacturers, please provide UL Serial Number, Burner Model Number and Control/Burner Specification Number as appropriate.

R.W. Beckett Corporation  
38251 Center Ridge Rd.  
PO Box 1289  
Elyria, OH 44035  
440-327-1060

Carlin Combustion Technology, Inc.  
70 Maple St.  
East Long Meadow, MA 01028  
413-525-7700

Power-Flame, Inc.  
2001 S. 21st St.  
Parsons, KS 67357  
620-421-0480

Webster Engineering and Manufacturing Co., Inc.  
619 Industrial Rd., Drawer 748  
Winfield, KS 67156  
620-221-7464

Riello Corporation Of America  
35 Pond Park Road  
Hingham, MA 02043  
800-474-3556

# NOTES



SERVICE PARTS CATALOG  
Issued June, 2019

For trade price schedule, wiring diagrams, boiler manuals or appropriate control supplement, please go to [Weil-McLain.com](http://Weil-McLain.com)