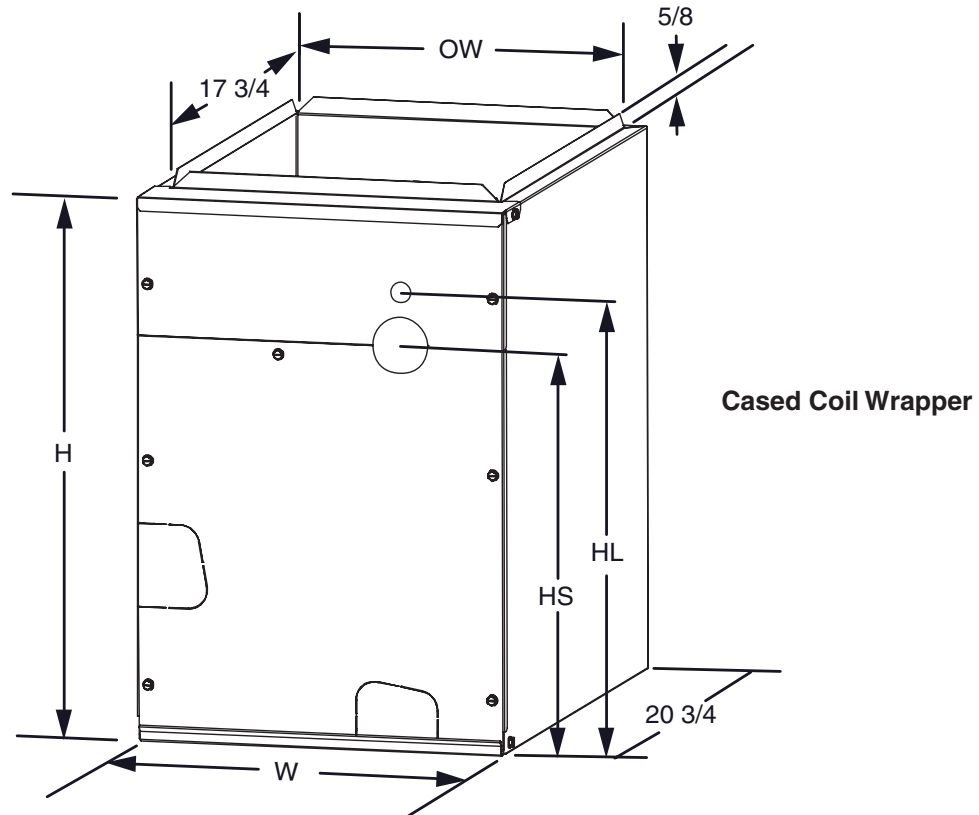
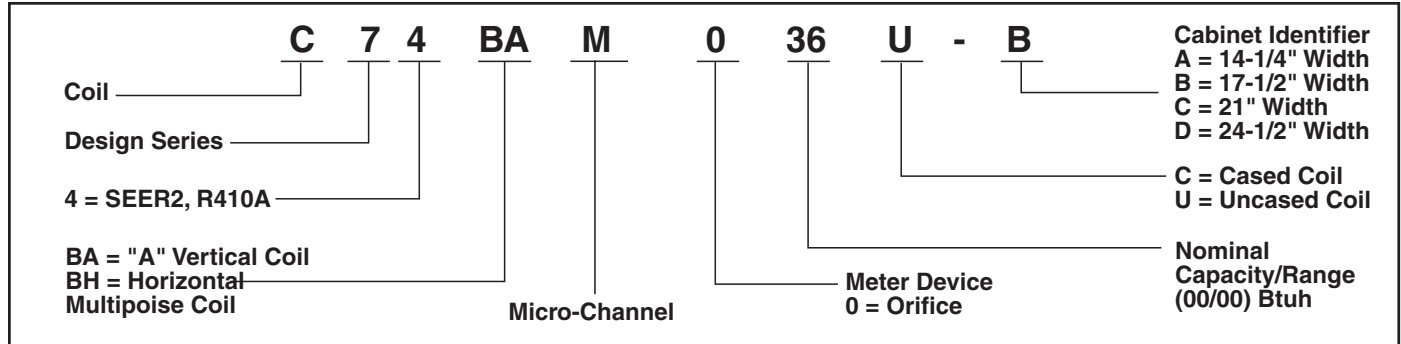


TECHNICAL SPECIFICATIONS



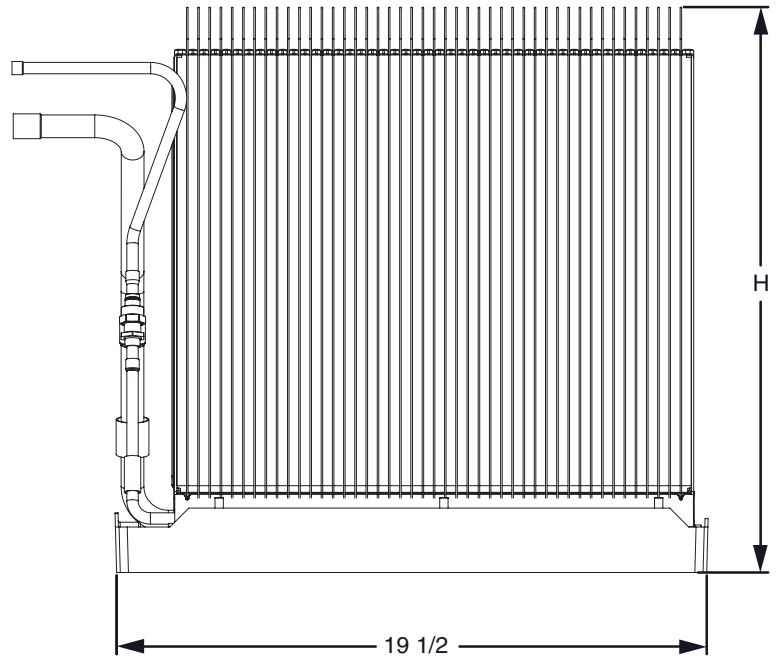
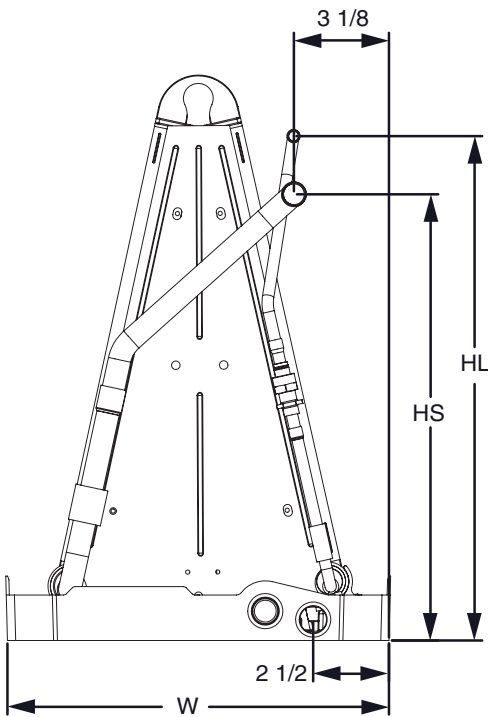
C74 Indoor Coils with Orifice - Models C74BAM0*U-*, C74BAM0*C-*, C74BHM0*C-*

MODEL IDENTIFICATION CODE



C74 CASED COIL WRAPPERS

SKU	Cabinet Identifier	Overall Width	Overall Height	Liquid Line Height	Suction Line Height	Opening Width
		W	H	HL	HS	OW
920256	A	14 1/4"	20 3/4"	17 1/2"	15 1/2"	12 7/8"
920258	B	17 1/2"	20 3/4"	17 1/2"	15 1/2"	16 1/8"
920259	B	17 1/2"	26 3/4"	23 1/2"	21 1/2"	16 1/8"
920260	C	21"	26 3/4"	23 1/2"	21 1/2"	19 5/8"
920261	C	21"	30 1/4"	27"	25"	19 5/8"
920262	D	24 1/2"	30 1/4"	27"	25"	23 1/8"



Uncased Coil

C74BAM UNCASED COIL DATA

C74BAM	UPFLOW & DOWNFLOW UNITS									
	A-CABINETS		B-CABINETS			C-CABINETS			D-CABINETS	
	018U-A	02430U-A	018U-B	02430U-B	03642U-B	02430U-C	03642U-C	048U-C	042U-D	048U-D
NOMINAL CAPACITY, MIN BTUH	18,000	24,000	18,000	24,000	36,000	24,000	36,000	48,000	42,000	48,000
NOMINAL CAPACITY, MAX BTUH		30,000		30,000	42,000					
INSTALLED ORIFICE SIZE (IN.)	0.046	0.053	0.046	0.053	0.068	0.053	0.068	0.077	0.068	0.077
W - WIDTH (IN.)	12.75	12.75	16	16	16	19.5	19.5	19.5	23	23
H - HEIGHT (IN.)	18.75	18.75	18.5	18.5	25	17.75	24.5	28.75	24	28.25
HL - HEIGHT OF LIQUID LINE (IN.)	16.75	16.75	16.75	16.75	22.75	22.75	22.75	26.75	26.5	26.75
HS - HEIGHT OF SUCTION LINE (IN.)	14.75	14.75	14.75	14.75	20.5	20.5	20.75	24.25	24.5	24.75
CONNECTION - LIQUID LINE	3/8	3/8	3/8	3/8	3/8	3/8	3/8	3/8	3/8	3/8
CONNECTION - SUCTION LINE	3/4	3/4	3/4	3/4	7/8	7/8	7/8	7/8	7/8	7/8
HORIZONTAL DRAIN PAN KIT (4)	920265	920265	920265	920265	920266	920265	920266	920267	920267	920267

C74BAM UNCASED COIL SPECIFICATIONS (ORIFICE ONLY)

NOTES:

- Individual restrictors are available by part number - PN664*** (where *** represents the size). Example: 664103 is a restrictor 0.103 in diameter.
- Refer to sales specification sheets for Listed/Certified combinations of equipment and required accessories.
- Refer to the current AHRI Directory for certified ratings of split systems.
- Not required for "H" horizontal ready coils.

C74BAM CASED COIL DATA

C74BAM	UPFLOW & DOWNFLOW UNITS									
	A-CABINETS		B-CABINETS			C-CABINETS			D-CABINETS	
	018C-A	02430C-A	018C-B	02430C-B	03642C-B	02430C-C	03642C-C	048C-C	042C-D	048C-D
NOMINAL CAPACITY, MIN BTUH	18,000	24,000	18,000	24,000	36,000	24,000	36,000	48,000	42,000	48,000
NOMINAL CAPACITY, MAX BTUH		30,000		30,000	42,000	30,000	42,000			
INSTALLED ORIFICE SIZE (IN.)	0.046	0.053	0.046	0.053	0.068	0.053	0.068	0.077	0.068	0.077
W - WIDTH (IN.)	14.25	14.25	17.5	17.5	17.5	21	21	21	24.5	24.5
H - HEIGHT (IN.)	20.75	20.75	20.75	20.75	26.75	26.75	26.75	30.25	30.25	30.25
HL - HEIGHT OF LIQUID LINE (IN.)	17.5	17.5	17.5	17.5	23.5	23.5	23.5	27	27	27
HS - HEIGHT OF SUCTION LINE (IN.)	15.5	15.5	15.5	15.5	21.5	21.5	21.5	25	25	25
CONNECTION - LIQUID LINE	3/8	3/8	3/8	3/8	3/8	3/8	3/8	3/8	3/8	3/8
CONNECTION - SUCTION LINE	3/4	3/4	3/4	3/4	7/8	7/8	7/8	7/8	7/8	7/8
HORIZONTAL DRAIN PAN KIT (4)	920265	920265	920265	920265	920266	920266	920266	920267	920267	920267

C74BAM CASED COIL SPECIFICATIONS (ORIFICE ONLY)

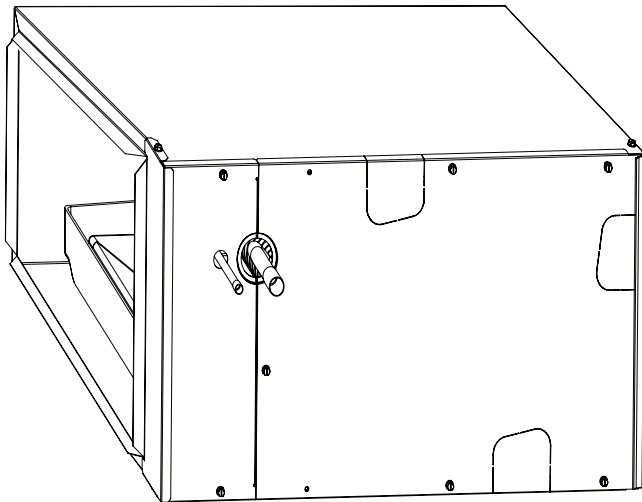
C74BHM HORIZONTAL COIL DATA

C74BHM	UPFLOW & DOWNFLOW UNITS									
	A-CABINETS		B-CABINETS			C-CABINETS			D-CABINETS	
	018C-A	02430C-A	018C-B	02430C-B	03642C-B	02430C-C	03642C-C	048C-C	042C-D	048C-D
NOMINAL CAPACITY, MIN BTUH	18,000	24,000	18,000	24,000	36,000	24,000	36,000	48,000	42,000	48,000
NOMINAL CAPACITY, MAX BTUH		30,000		30,000	42,000	30,000	42,000			
INSTALLED ORIFICE SIZE (IN.)	0.046	0.053	0.046	0.053	0.068	0.053	0.068	0.077	0.068	0.077
W - WIDTH (IN.)	14.25	14.25	17.5	17.5	17.5	21	21	21	24.5	24.5
H - HEIGHT (IN.)	26.75	26.75	26.75	26.75	26.75	26.75	26.75	30.25	30.25	30.25
HL - HEIGHT OF LIQUID LINE (IN.)	23.5	23.5	23.5	23.5	23.5	23.5	23.5	27	27	27
HS - HEIGHT OF SUCTION LINE (IN.)	21.5	21.5	21.5	21.5	21.5	21.5	21.5	25	25	25
CONNECTION - LIQUID LINE	3/8	3/8	3/8	3/8	3/8	3/8	3/8	3/8	3/8	3/8
CONNECTION - SUCTION LINE	3/4	3/4	3/4	3/4	7/8	7/8	7/8	7/8	7/8	7/8

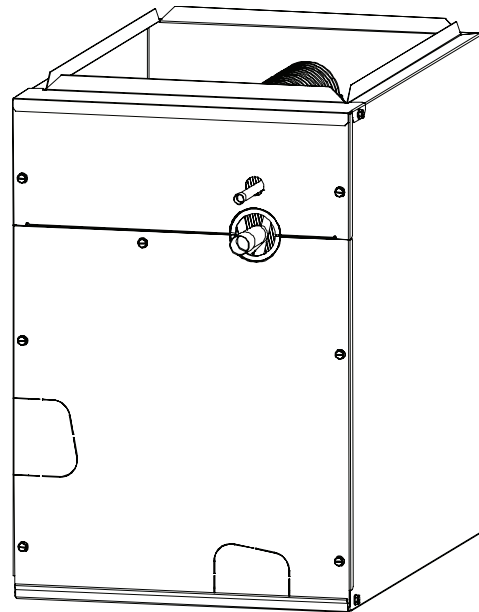
C74BHM CASED COIL SPECIFICATIONS (ORIFICE ONLY)

NOTES:

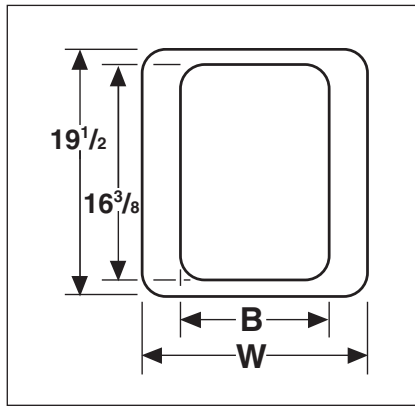
- Individual restrictors are available by part number - PN664*** (where *** represents the size). Example: 664103 is a restrictor 0.103 in diameter.
- Refer to sales specification sheets for Listed/Certified combinations of equipment and required accessories.
- Refer to the current AHRI Directory for certified ratings of split systems.
- Not required for "H" horizontal ready coils.



Horizontal Cased Coil



Cased Coil



Drain Pan—Bottom View

DRAIN PAN DIMENSIONS

Dimension	A Cabinet	B Cabinet	C Cabinet	D Cabinet
W	12 3/4	16	19 1/2	23
B	6 5/8	9 7/8	12 3/8	16 7/8

Liquid Line Tube kits

COIL HEIGHT	CABINET	LIQUID LINE TUBE KIT
18"	A	921824
18"	B	921825
24"	B	921826
18"	C	921827
24"	C	921828
28"	C	921829
24"	D	921830
28"	D	921831

TXV Kits

920668A	R-410a 1.5 & 2.0T
920669A	R-410a 2.5T
920670A	R-410a 3.0T
920671A	R-410a 3.5T
920672A	R-410a 4.0T
920673A	R-410a 5.0T



Before purchasing this appliance, read important energy cost and efficiency information available from your retailer. Specifications and illustrations subject to change without notice and without incurring obligations. Printed in U.S.A (06/2022)