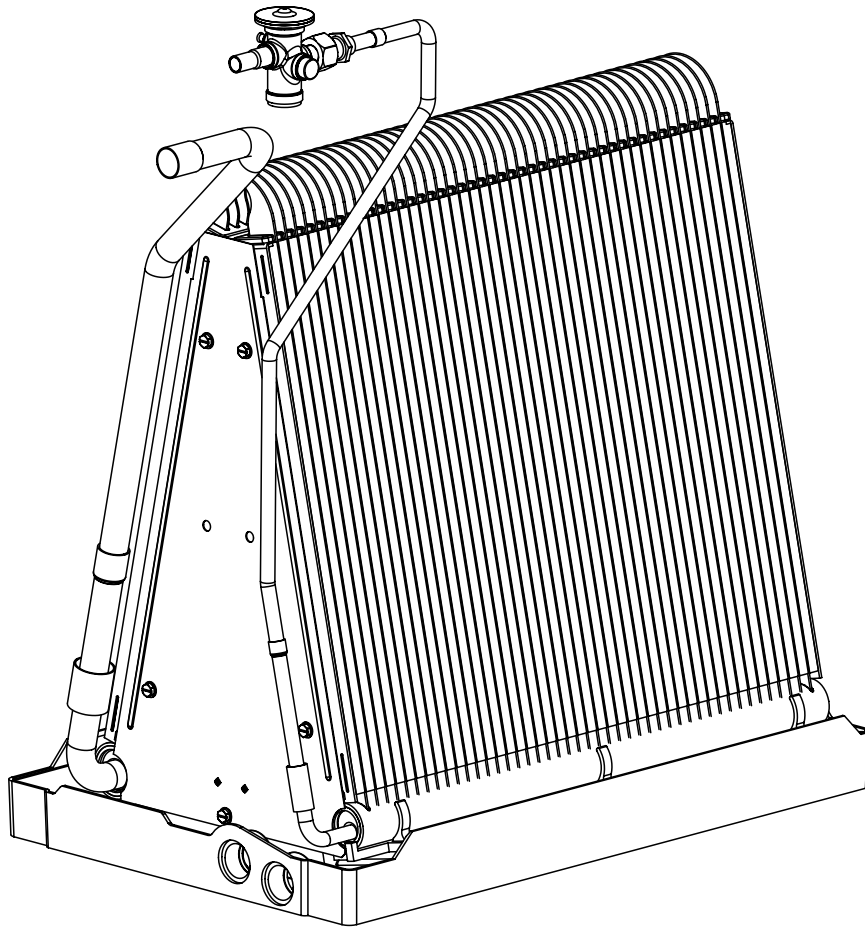


INSTALLATION INSTRUCTIONS



IMPORTANT

ATTENTION INSTALLERS:


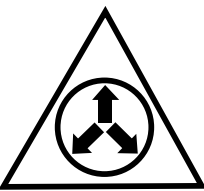
It is your responsibility to know this product better than your customer. This includes being able to install the product according to strict safety guidelines and instructing the customer on how to operate and maintain the equipment for the life of the product. Safety should always be the deciding factor when installing this product and using common sense plays an important role as well. Pay attention to all safety warnings and any other special notes highlighted in the manual. Improper installation of the furnace or failure to follow safety warnings could result in serious injury, death, or property damage.

These instructions are primarily intended to assist qualified individuals experienced in the proper installation of this appliance. Some local codes require licensed installation/service personnel for this type of equipment. Please read all instructions carefully before starting the installation. Return these instructions to the customer's package for future reference.

DO NOT DESTROY. PLEASE READ CAREFULLY & KEEP IN A SAFE PLACE FOR FUTURE REFERENCE.

IMPORTANT SAFETY INFORMATION

Please read all instructions before servicing this equipment. Pay attention to all safety warnings and any other special notes highlighted in the manual. Safety markings are used frequently throughout this manual to designate a degree or level of seriousness and should not be ignored. **WARNING** indicates a potentially hazardous situation that if not avoided, could result in personal injury or death. **CAUTION** indicates a potentially hazardous situation that if not avoided, may result in minor or moderate injury or property damage.

 WARNING:											
	<table border="1"><thead><tr><th colspan="2">NITROGEN</th></tr></thead><tbody><tr><td>HEALTH</td><td>1</td></tr><tr><td>FLAMMABILITY</td><td>0</td></tr><tr><td>REACTIVITY</td><td>0</td></tr><tr><td colspan="2">0 Minimal Hazard 1 Slight Hazard</td></tr></tbody></table>	NITROGEN		HEALTH	1	FLAMMABILITY	0	REACTIVITY	0	0 Minimal Hazard 1 Slight Hazard	
NITROGEN											
HEALTH	1										
FLAMMABILITY	0										
REACTIVITY	0										
0 Minimal Hazard 1 Slight Hazard											
<p>C7 coils are pressurized with nitrogen at the factory. Avoid direct face exposure or contact with valve when gas is escaping. Always ensure adequate ventilation is present during the depressurization process. Any uncertainties should be addressed before proceeding.</p>											

PROPOSITION 65 WARNING:

WARNING: This product contains chemicals known to the state of California to cause cancer.

WARNING: This product contains chemicals known to the state of California to cause birth defects or other reproductive harm.

WARNING:

Improper installation, service, adjustment, or maintenance may cause explosion, fire, electrical shock or other hazardous conditions which may result in personal injury or property damage. Unless otherwise noted in these instructions, only factory authorized kits or accessories may be used with this product.

WARNING:

This unit must be installed in accordance with the instructions outlined in this manual during the installation, service, and operation of this unit. Unqualified individuals should not attempt to interpret these instructions or install this equipment. If you do not possess mechanical skills or tools, call your local dealer for assistance. Under no circumstances should the equipment owner attempt to install and/or service this equipment. Failure to follow safety recommendations could result in possible damage to the equipment, serious personal injury or death.

- The installer must comply with all local codes and regulations which govern the installation of this type of equipment. Local codes and regulations take precedence over any recommendations contained in these instructions. Consult local building codes for special installation requirements.
- Familiarize yourself with the controls that shut off the electrical power to the unit. If the unit needs to be shut down for an extended period of time, turn off electrical power at the circuit breaker. For your safety always turn off the electrical power before performing service or maintenance on the unit.
- Installation of equipment may require brazing operations. Installer must comply with safety codes and wear appropriate safety equipment (safety glasses, work gloves, fire extinguisher, etc.) when performing brazing operations.
- Read the Installation Instructions supplied with the furnace or air handler. Always observe all safety requirements outlined in this manual and on the furnace or air handler markings before installing the coil.
- Follow all precautions in the literature, on tags, and on labels provided with the equipment. Read and thoroughly understand the instructions provided with the equipment prior to performing the installation and operational checkout of the equipment.
- Use caution when handling this equipment or removing components. Personal injury can occur from sharp metal edges present in all sheet metal constructed equipment.

COIL INSTALLATION

⚠ WARNING:

ELECTRICAL SHOCK, FIRE OR EXPLOSION HAZARD

Failure to follow safety warnings exactly could result in serious injury or property damage.

Improper servicing could result in dangerous operation, serious injury, death or property damage.

- Before servicing, disconnect all electrical power to the equipment.
- When servicing controls, label all wires prior to disconnecting. Reconnect wires correctly.
- Verify proper operation after servicing.

⚠ CAUTION:

The coil must be level to ensure proper condensate drainage. An unlevel installation may result in structural damage, premature equipment failure, or possible personal injury.

General Information

C7 Series uncased indoor coils are designed for upflow, downflow, or horizontal applications and are equipped with braze type refrigerant connections for easy installation.

- If a TXV is not installed but required for your application, see [Table 1, \(page 7\)](#) to determine the proper kit based on tonnage and refrigerant type of the unit.
- Check the coils orifice size and confirm that it's suitable for application with the intended outdoor unit. Depending on application, additional installer supplied orifice or TXV may be required.
- Optional cooling/heating equipment must be properly sized and installed in accordance with the furnace manufacturer's specifications and approved recommendations.
- "Heating Only" furnace air circulators may have to be replaced with multi-speed Heating / Cooling blowers to upgrade the air delivery (CFM) when an add-on coil is installed. Refer to [Table 2](#) and [Table 3, \(page 7\)](#) for coil specifications, recommended CFM, and allowances for pressure drop across the coil and filters.
- Verify that the air delivery of the furnace/air handler is adequate to handle the static pressure drop of the coil, filter, and duct work.
- If precise forming of refrigerant lines is required, a copper tubing bender is recommended. Avoid sharp bends and contact of the refrigerant lines with metal surfaces.
- Refrigerant lines should be wrapped with pressure sensitive neoprene or other suitable material where they pass against sharply edged sheet metal.
- Horizontal installations require a horizontal drain pan kit to be installed. See [Table 2](#) and [Table 3](#) for available part numbers.
- Close-off plates are available in some air filter kits. Refer to the Replacement Parts List for available part numbers. Install the necessary close-off plates around the refrigerant lines and drain line where required. Reinstall all inner and

outer panels of the furnace/air handler that were previously removed when installing the indoor coil.

Upflow Installations

1. Disconnect all electrical power to the furnace.
2. Install the coil case on the furnace air discharge opening and level it as needed to ensure proper condensate drainage. If needed, make a plate to adapt the coil to the air discharge opening. See [Figure 5 \(page 6\)](#) for coil dimensions.
3. Make and install the plenum over the coil. Insulate as required.
4. Seal the enclosure as required to minimize air leakage.
5. Connect the refrigerant lines as outlined in the Refrigerant Line Connection section.

Downflow Installations

C7 coils may be installed in downflow applications. It is required that the furnace and coil cabinets are securely mounted together before setting in place. Fossil fuel applications require the coil to be placed in the supply air stream only.

Horizontal Installations

C7 coils can be installed horizontally, but it is required that the furnace and coil cabinets be securely mounted together before setting in place. A horizontal drain pan kit must also be installed under the furnace or air handler. Refer to the Replacement Parts List for available part numbers.

REFRIGERANT LINE CONNECTIONS

IMPORTANT NOTE TO INSTALLER

C7 Coils are not factory charged with refrigerant. It will be necessary to evacuate the indoor coil and lineset prior to charging. Refer to the outdoor unit installation manual for detailed charging instructions.

System Depressurization

1. Remove the cap ([Figure 1](#)) from the end of the liquid line.
2. Verify pressurization by depressing the Schrader valve on the end of the liquid line. Listen for any escaping gas. If there is no pressure, test the coil for leakage.
 - If leakage is found, clearly mark the location of the leak and return the coil to the distributor for processing.
 - If no leaks are found, the coil may be installed.
3. Depress the valve to relieve all pressure from the coil.
4. Remove and discard the valve core and valve core holder on the liquid line.
5. Remove the rubber plug from the suction line.

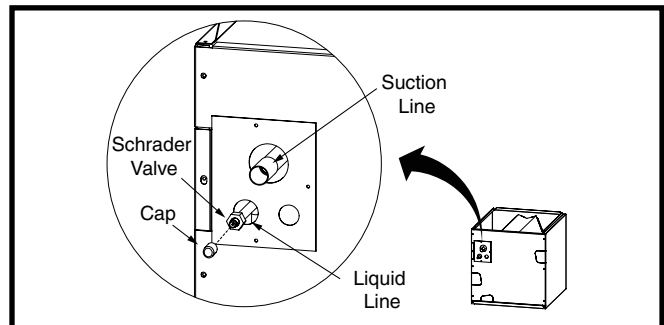


Figure 1. Suction & Liquid Line Locations

Orifice Removal & Installation

NOTE: Before proceeding, perform steps 1 - 3 in the System Depressurization section and confirm that the restrictor orifice size meets the requirements outlined in the outdoor unit installation manual. Factory supplied orifice sizes are listed in [Table 2, \(page 7\)](#). If the orifice must be replaced, follow steps 1 - 5.

CAUTION:

To prevent damage to the unit or internal components, it is recommended that two wrenches be used when loosening or tightening nuts. Do not over tighten!

1. Using two wrenches, loosen the nut and distributor body as shown in [Figure 2](#). Turn the assembly nut counter-clockwise until the orifice body halves are separated.
2. Insert a light-gauge wire hook between the distributor body and the restrictor orifice while being careful not to scratch either part. Carefully remove the restrictor orifice from the distributor body. See [Figure 3](#).
3. Check the actual size of the new orifice. The size is stamped on its side. Do not use pin gauges to measure the orifice diameter.
4. Insert the new orifice into the distributor body, rounded end down. See [Figure 4](#).

CAUTION:

To prevent damage to the unit or internal components, it is recommended that two wrenches be used when loosening or tightening nuts. Do not over tighten!

5. Realign the assembly nut on the distributor body and hand tighten both components. Mark a line on both bodies and then tighten an additional 1/4 turn using two wrenches. The movement of the two lines will show how much the nut is tightened. If a torque wrench is used, tighten to 10-12 ft. lbs. or 14-16 Nm.

Connecting the Linesets

NOTE: If installing a TXV, please follow the instructions supplied with the kit. See [Table 1, \(page 7\)](#) for kit part numbers.

1. Route and cut both lineset tubes to proper length in accordance with the outdoor unit specifications. Verify the ends are round, clean, and free of any burrs.
2. Connect the suction and liquid lineset tubes.

CAUTION:

It is recommended that a wet rag be wrapped around the suction line in front of the close off plate before applying heat. Failure to keep components cool during brazing may result in structural damage, premature equipment failure, or possible personal injury.

3. Braze the individual connections with dry nitrogen flowing through the joints. This will prevent internal oxidation and scaling from occurring.

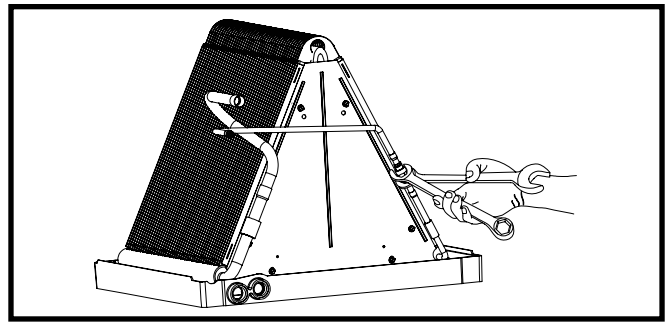


Figure 2. Loosening of Nut & Distributor Body

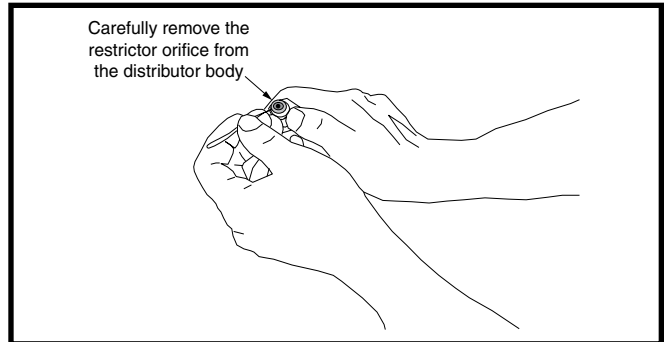


Figure 3. Removal of Orifice

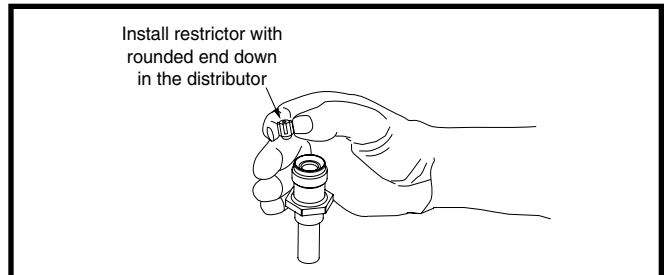


Figure 4. Restrictor Insertion into Distributor Body

IMPORTANT: To prevent internal oxidation and scaling from occurring, braze all connections with dry nitrogen flowing through the joints.

4. Wrap the refrigerant lines with pressure sensitive neoprene or other suitable material especially where the lines enter the opening in the sheet metal.
NOTE: On horizontal models with a TXV valve, reposition the sensing bulb to the 4 or 8 o'clock position on the suction line.

Completing the Installation

1. Check the system for leaks, including the lineset and the brazed joints. **NOTE:** Apply a soap and water solution on each joint or union with a small paintbrush. If bubbling is observed, the connection is not adequately sealed.
2. Evacuate the system of moisture and non-condensables to prevent low efficiency operation or damage to the unit. The suggested range of evacuation is 250 - 500 microns.
3. Charge the system with refrigerant. **Please Refer to the outdoor unit installation manual for additional charging instructions.**
4. Install the coil access door (if removed).
5. Properly dispose of all removed parts.
6. Apply power to the unit.

Condensate Drain

 **CAUTION:**

The coil must be level to ensure proper condensate drainage. Improper condensate disposal may result in structural damage, premature equipment failure, or possible personal injury.

- Methods for disposing of condensate vary according to local codes. Refer to local codes or authority having jurisdiction for restrictions and proper condensate disposal requirements.
- All condensate pans have primary and secondary drain connections to meet FHA requirements. If the application is located in or above a living space where damage may result from condensate overflow, a separate 3/4 inch drain must be provided from the secondary drain connection and a secondary drain pan must be installed under the entire unit. Run secondary drain lines to a place where they are noticeable if used.
- The coil condensate pan is designed with 3/4" NPSC drain connections. Use a PVC or similar material fitting to attach the drain line to the pan. **NOTE:** The fitting should be hand tightened only. Overtightening may crack the drain pan and cause condensate to leak.
- The drain pan **MUST** be drained with field supplied tubing and looped to form a trap.

IMPORTANT NOTE TO INSTALLER

Failure to install a trap may result in condensation overflowing the drain pan, resulting in substantial water damage to surrounding area.

- Prime the trap with water. Insulate the drain if it is located in an unconditioned space, and test the condensate line for leaks. Consult local codes for additional restrictions or precautions.
- Route the lines to a suitable drain, avoiding sharp bends and pinching of the lines. The drain should maintain a minimum horizontal slope in the direction of discharge of no less than 1" vertical for every 10 ft of horizontal run.
- During system checkout, inspect the drain line and connections to verify proper condensate drainage.

Air Filter

Air filters are not supplied as an integral part of this coil; however, an air filter kit is available. Refer to the Replacement Parts List for available part numbers.

The filter must be installed upstream of the coil and inspected frequently. When the filter becomes clogged with dust or lint, it should be replaced (disposable type) or cleaned (washable type). It is recommended that filters be inspected and replaced at least twice during the year. Generally it is best to replace or clean the filters at the start of each heating and cooling season.

MAINTENANCE & SERVICE

 **WARNING:**

ELECTRICAL SHOCK, FIRE OR EXPLOSION HAZARD

Failure to follow safety warnings exactly could result in serious injury or property damage.

Improper servicing could result in dangerous operation, serious injury, death or property damage.

- **Before servicing, disconnect all electrical power to the equipment.**
 - **When servicing controls, label all wires prior to disconnecting. Reconnect wires correctly.**
 - **Verify proper operation after servicing.**
-

 **CAUTION:**

Do not operate the system without a suitable filter in the return air duct system. Always replace the filter with the same size and type.

To ensure optimum performance and to minimize possible equipment failure, the following maintenance tasks should be performed periodically on this equipment:

1. The air filter installed with the system should be checked and cleaned or replaced twice per year.
2. Check the coil, drain pan, and condensate drain line for cleanliness at the start of each heating and cooling season. Clean as needed.

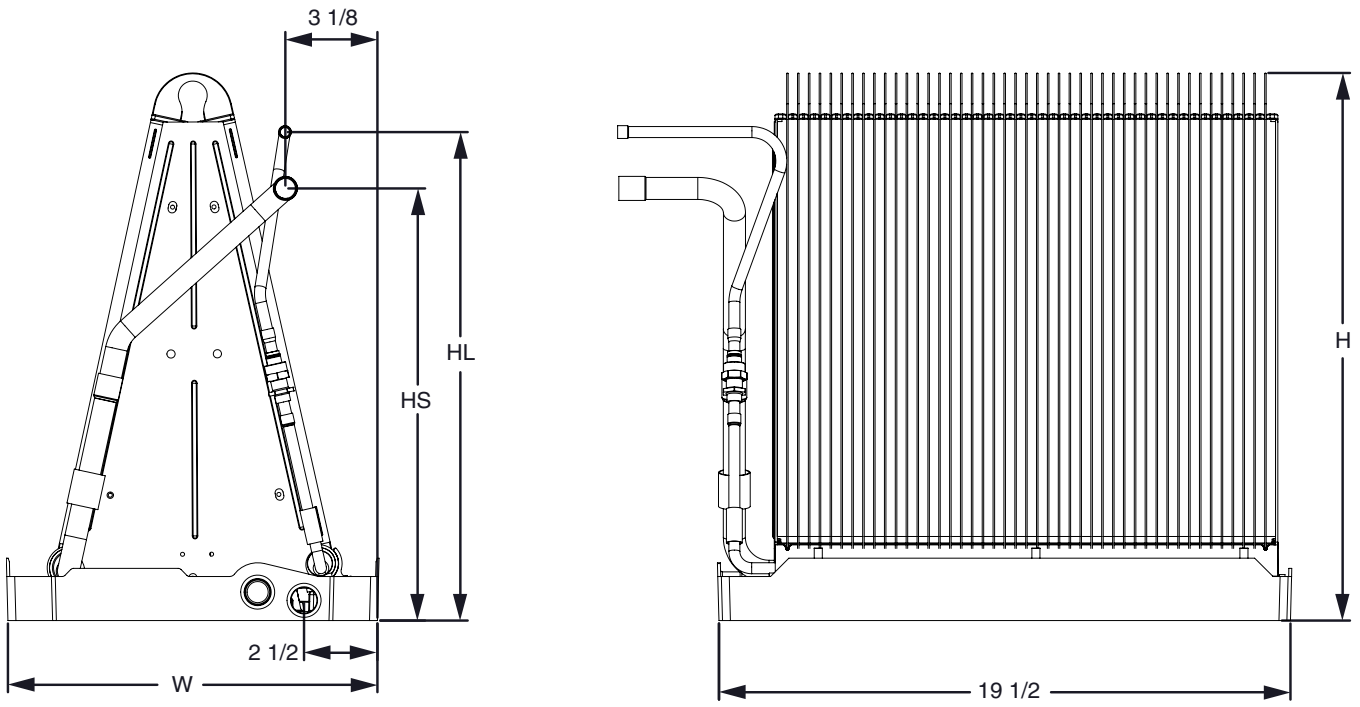


Figure 5. C7 Coil Dimensions (without TXV)

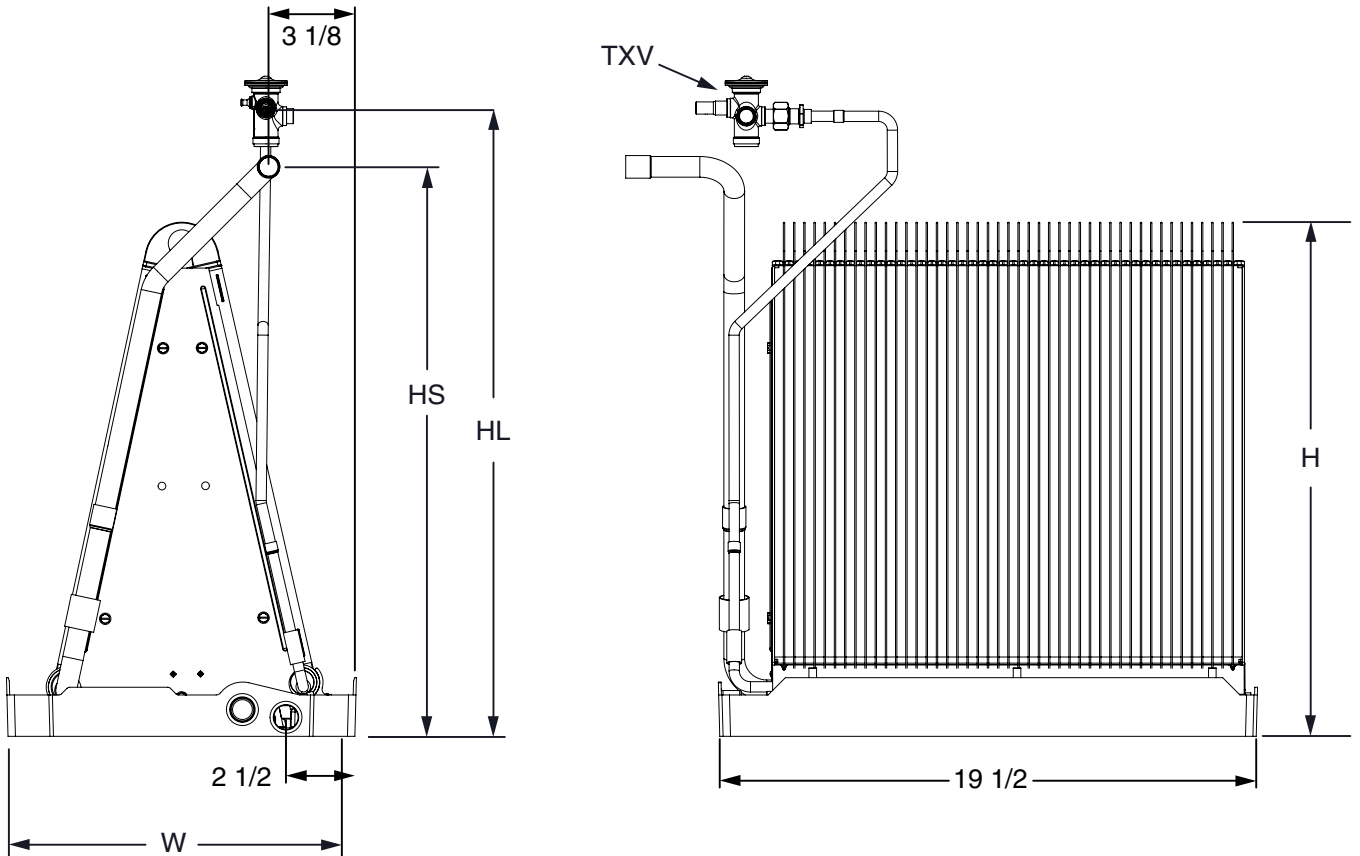


Figure 6. C7 Coil Dimensions (with TXV)

	TXV KIT P/N	SIZE OF A.C. OR H.P. (TONS)
R-22 REFRIGERANT	920662A	1.5 or 2
	920663A	2.5
	920664A	3
	920665A	3.5
	920666A	4
	920667A	5
R-410A REFRIGERANT	920668A	1.5 or 2
	920669A	2.5
	920670A	3
	920671A	3.5
	920672A	4
	920673A	5

Table 1. TXV Kit Part Numbers

	01824A	03036A	01824B	03036B	03642B	030C	03648C	048C	060C	042D	048D	060D
NOMINAL CAPACITY, MIN BTUH	18,000	30,000	18,000	30,000	36,000	30,000	36,000	48,000	60,000	42,000	48,000	60,000
NOMINAL CAPACITY, MAX BTUH	24,000	36,000	24,000	36,000	42,000		48,000					
INSTALLED ORIFICE SIZE (IN.)	.048	.061	.055	.067	.071	.061	.067	.077	.083	.071	.077	.083
NOMINAL AIRFLOW, MIN (CFM)	800	1,000	800	1,000	1,200	1,000	1,200	1,600	2,000	1,400	1,600	2,000
NOMINAL AIRFLOW, MAX (CFM)	800	1,000	800	1,200	1,400		1,600					
W - WIDTH (IN.)	12 3/4	12 3/4	16	16	16	19 1/2	19 1/2	19 1/2	19 1/2	23	23	23
H - HEIGHT (IN.)	18 1/2	18 1/2	18	18	25	18	24 1/2	28 1/2	28 1/2	23 3/4	27 3/4	27 3/4
HL - HEIGHT OF LIQUID LINE (IN.)	17 1/2	17 1/2	17 1/2	17 1/2	23 1/2	23 1/2	23 1/2	27	27	27	27	27
HS - HEIGHT OF SUCTION LINE (IN.)	15 1/2	15 1/2	15 1/2	15 1/2	21 1/2	21 1/2	21 1/2	25	25	25	25	25
CONNECTION - LIQUID LINE	3/8	3/8	3/8	3/8	3/8	3/8	3/8	3/8	3/8	3/8	3/8	3/8
CONNECTION - SUCTION LINE	3/4	3/4	3/4	3/4	7/8	7/8	7/8	7/8	7/8	7/8	7/8	7/8
HORIZONTAL DRAIN PAN KIT	920265	920265	920265	920265	920266	920265	920266	920267	920267	920267	920267	920267

Table 2. C7 Coil Specifications (Orifice Only)

	HORIZONTAL UNITS (3)												
	A-CABINETS			B-CABINETS			C-CABINETS				D-CABINETS		
	X24C-A	X30C-A	X36C-A	X24C-B	X30C-B	X36C-B	X30C-C	X36C-C	X42C-C	X48C-C	X60C-C	X48C-D	X60C-D
NOMINAL CAPACITY, BTUH	24,000	30,000	36,000	24,000	30,000	36,000	30,000	36,000	42,000	48,000	60,000	48,000	60,000
METERING DEVICE	TXV	TXV	TXV	TXV	TXV	TXV	TXV	TXV	TXV	TXV	TXV	TXV	TXV
NOMINAL AIRFLOW, (CFM)	800	1000	1000	800	1000	1200	1000	1200	1400	1600	2000	1600	2000
W - WIDTH (IN.)	12.75	12.75	12.75	16	16	16	19.5	19.5	19.5	19.5	19.5	23	23
H - HEIGHT (IN.)	18.5	18.5	18.5	18	18	18	18	24.5	24.5	24.5	28.5	27.75	27.75
HL - HEIGHT OF LIQUID LINE (IN.)	17.5	17.5	17.5	17.5	17.5	17.5	23.5	23.5	23.5	23.5	27	27	27
HS - HEIGHT OF SUCTION LINE (IN.)	15.5	15.5	15.5	15.5	15.5	15.5	21.5	21.5	21.5	21.5	25	25	25
CONNECTION - LIQUID LINE	3/8	3/8	3/8	3/8	3/8	3/8	3/8	3/8	3/8	3/8	3/8	3/8	3/8
CONNECTION - SUCTION LINE	3/4	3/4	3/4	3/4	3/4	3/4	3/4	7/8	7/8	7/8	7/8	7/8	7/8
HORIZONTAL DRAIN PAN KIT	920265	920265	920265	920265	920265	920265	920265	920266	920266	920266	920267	920267	920267

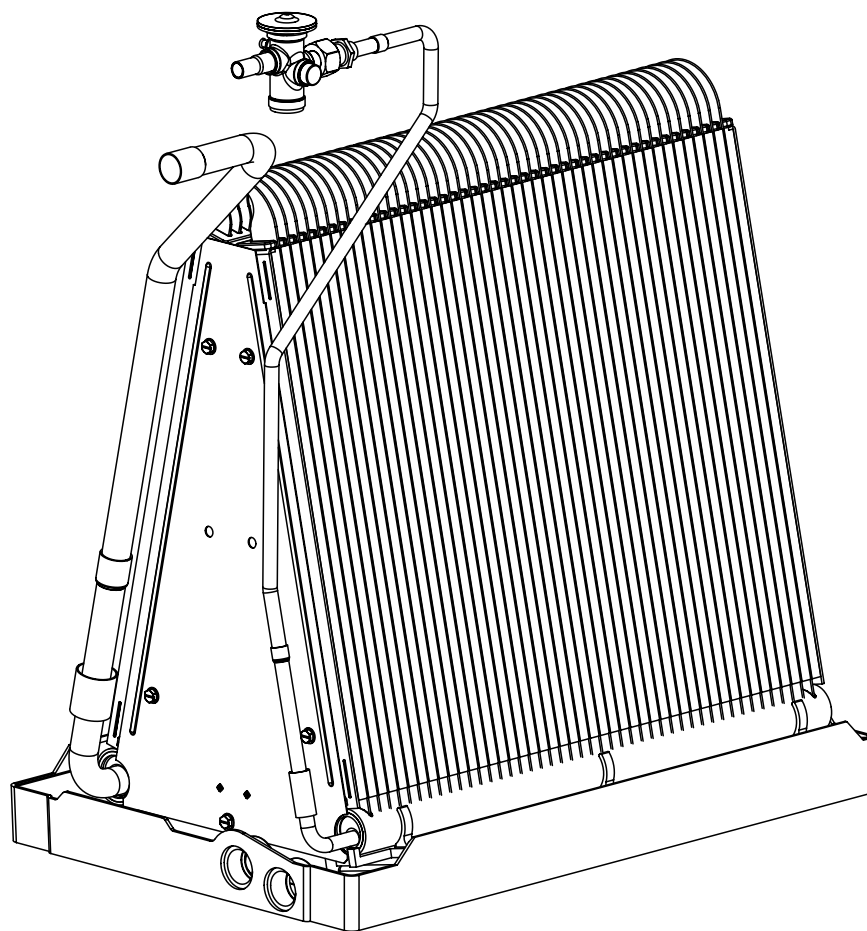
Table 3. C7 Coil Specifications (TXV Only)

NOTES:

1. Individual restrictors are available by part number - PN664*** (where *** represents the size). Example: 664103 is a restrictor 0.103 in diameter.
2. Refer to sales specification sheets for Listed/Certified combinations of equipment and required accessories.
3. X in the model description designates factory installed TXV for R-410a refrigerant.
4. Refer to the current AHRI Directory for certified ratings of split systems.
5. Not required for "H" horizontal ready coils.

NOTICE D'INSTALLATION

Serpentins non coffrés intérieurs pour système multi-blocs Série C7



IMPORTANT

REMARQUE À L'INTENTION DES INSTALLATEURS :

Il est de votre responsabilité de mieux connaître ce produit que votre client. Cela inclut la capacité d'installer le produit conformément aux directives de sécurité strictes et d'informer le client sur la façon d'utiliser et de maintenir l'appareil pour assurer la durée de vie du produit. La sécurité doit toujours être le facteur déterminant lors de l'installation de ce produit et le fait de faire preuve de bon sens est également important. Prêtez attention à tous les avertissements de sécurité et toute autre remarque spéciale donnée dans le manuel. L'installation inappropriée de la fournaise ou le non-respect des avertissements de sécurité risque d'entraîner des blessures graves, la mort ou des dommages matériels.

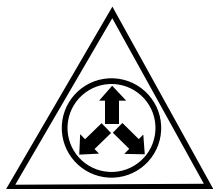
Ces directives sont principalement destinées à aider les installateurs qualifiés et expérimentés dans l'installation de cet appareil. Certains codes locaux exigent que ce type d'appareil soit installé par un installateur/réparateur agréé. Veuillez lire attentivement toutes les directives avant de commencer l'installation. Remettre ces directives dans les documents du client pour référence future.

NE PAS DÉTRUIRE. VEUILLEZ LIRE ATTENTIVEMENT ET CONSERVER EN UN LIEU SÛR POUR RÉFÉRENCE FUTURE.

RENSEIGNEMENTS IMPORTANTS SUR LA SÉCURITÉ

Veillez lire toutes les instructions avant d'entretenir cet équipement. Prêtez attention à tous les avertissements de sécurité et toute autre remarque spéciale donnée dans le manuel. Des symboles de sécurité sont fréquemment utilisés dans l'ensemble de ce manuel pour désigner un degré ou un niveau de gravité et ne doivent pas être ignorés. **AVERTISSEMENT** – Indique une situation potentiellement dangereuse qui, si elle n'est pas évitée, peut occasionner des blessures ou la mort. **MISE EN GARDE** – Indique une situation potentiellement dangereuse qui, si elle n'est pas évitée, peut occasionner des blessures mineures ou modérées, ou des dommages matériels.

AVERTISSEMENT :



AZOTE	
SANTÉ	1
INFLAMMABILITÉ	0
RÉACTIVITÉ	0

0 Danger minimal 1 Danger léger

Les serpentins C7 sont pressurisés à l'azote en usine. Évitez tout contact direct avec le visage ou tout contact avec le robinet pendant l'évacuation du gaz. Assurez-vous qu'une aération suffisante est toujours présente pendant la dépressurisation. Toute incertitude doit être réglée avant de procéder.

AVERTISSEMENT :

L'installation, la réparation, le réglage ou l'entretien inapproprié peut causer des explosions, un incendie, une décharge électrique ou d'autres conditions dangereuses qui peuvent entraîner des blessures ou des dommages matériels. À moins d'indication contraire dans ces instructions, n'utilisez que des trousseaux ou des accessoires autorisés avec ce produit.

AVERTISSEMENT :

AVERTISSEMENT RELATIF À LA PROPOSITION 65 :
Ce produit contient des produits chimiques reconnus dans l'État de la Californie comme pouvant causer des malformations congénitales ou d'autres problèmes du système reproductif.

AVERTISSEMENT :

Cet appareil doit être installé conformément aux instructions contenues dans ce manuel, et ce, pendant son installation, son entretien et son utilisation. Les personnes non qualifiées ne doivent pas tenter d'interpréter ces instructions ou d'installer cet équipement. Si vous ne possédez pas les compétences mécaniques ou les outils, communiquez avec le détaillant de votre région pour obtenir de l'assistance. Le propriétaire de l'équipement ne doit en aucun cas tenter d'installer ou de réparer cet appareil. Le non-respect des recommandations de sécurité peut causer des dommages à l'équipement ou des blessures graves, voire mortelles.

- L'installateur doit respecter tous les codes et règlements locaux qui régissent l'installation de ce type d'équipement. Les codes et règlements locaux ont préséance sur toute recommandation contenue dans les présentes instructions. Consultez les codes de construction locaux pour connaître les exigences spéciales d'installation.
- Familiarisez-vous avec les commandes qui coupent l'alimentation électrique de l'appareil. Si l'appareil doit rester éteint pendant une longue période, coupez son alimentation électrique au disjoncteur. Pour votre sécurité, coupez toujours l'alimentation électrique avant d'entretenir ou de réparer l'appareil.
- L'installation de l'appareil peut requérir du brasage. L'installateur doit respecter les codes de sécurité et porter l'équipement de protection approprié (lunettes de protection, gants de travail, extincteur, etc.) pendant les opérations de brasage.
- Lisez la notice d'installation qui accompagnent la fournaise ou l'appareil de traitement d'air. Respectez toujours toutes les exigences de sécurité décrites dans ce manuel et inscrites sur la fournaise ou l'appareil de traitement d'air avant d'installer le serpent.
- Respectez toutes les mises en garde qui figurent dans les documents et sur les insignes et étiquettes de l'appareil. Lisez et comprenez à fond les instructions qui accompagnent l'appareil avant de commencer l'installation et la vérification du fonctionnement de l'appareil.
- Manipulez cet appareil ou retirez-en des composants avec soin. Les arêtes vives en métal présentes sur tout appareil fabriqué en tôle peuvent causer des blessures.

INSTALLATION DU SERPENTIN

AVERTISSEMENT :

RISQUE DE DÉCHARGE ÉLECTRIQUE, D'INCENDIE OU D'EXPLOSION

Le non-respect des avertissements de sécurité pourrait entraîner des blessures graves ou des dommages matériels importants.

Un entretien inapproprié peut provoquer un fonctionnement dangereux, des blessures graves, la mort ou des dommages matériels.

- **Avant toute intervention, coupez l'alimentation électrique à l'appareil.**
- **Pour l'entretien des commandes, étiquetez tous les fils avant de les débrancher. Rebranchez les fils correctement.**
- **Vérifiez le bon fonctionnement après l'intervention.**

MISE EN GARDE :

L'appareil doit être à l'équerre et de niveau pour assurer un drainage approprié de la condensation. Une installation pas de niveau peut causer des dommages structurels, la défaillance prématurée de l'équipement ou même des blessures.

Renseignements généraux

Les serpentins non coffrés intérieurs Série C7 sont conçus pour les applications ascendantes, descendantes ou horizontales et ils sont pourvus de raccords pour frigorigène soudés pour une installation facile.

- Si aucun détendeur thermostatique n'est installé, mais que votre application en requiert un, consultez le [Tableau 1, \(page 7\)](#) pour déterminer la trousse appropriée à la capacité et au type de frigorigène de l'appareil.
- Vérifiez la taille des orifices des serpentins et confirmez qu'elle convient à l'application avec l'appareil extérieur choisi. Selon l'application, un orifice supplémentaire ou un détendeur thermostatique fourni par l'installateur peut être requis.
- L'équipement de climatisation/chauffage en option doit être dimensionné et installé correctement conformément aux spécifications du fabricant et aux recommandations approuvées.
- Les ventilateurs pour fournaise à « chauffage seulement » peuvent devoir être remplacés par des souffleurs multi-vitesses pour chauffage/climatisation afin d'accroître la circulation d'air (pi^3/min) lorsqu'un serpentin supplémentaire est installé. Consultez les [Tableau 2](#) et [Tableau 3, \(page 7\)](#) pour les spécifications du serpentin, le nombre de pi^3/min recommandé et les tolérances pour les baisses de pression sur le serpentin et les filtres.
- Assurez-vous que le volume d'air de la fournaise/l'appareil de traitement d'air est adéquat pour répondre aux baisses de pression statique du serpentin, du filtre et des conduites.
- Si une formation précise des conduites de frigorigène est requise, il est recommandé d'utiliser un outil pour plier les tuyaux de cuivre. Évitez les courbes trop accentuées et tout contact entre les conduites de frigorigène et les surfaces métalliques.
- Les conduites de frigorigène doivent être recouvertes de néoprène sensible à la pression ou d'un autre matériau approprié lorsqu'ils longent des feuilles métalliques à bord tranchant.
- Les installations horizontales requièrent l'installation d'une trousse de bac de vidange horizontale. Consultez les tableaux 2 et 3 pour les numéros de pièces disponibles.
- Des plaques de fermeture sont offertes dans certaines trouses de filtration d'air. Consultez la Liste des pièces de rechange pour le numéro des pièces offertes. Installez les plaques de fermeture

requises autour des conduites de frigorigène et conduites d'évacuation au besoin. Réinstallez tous les panneaux internes et externes de la fournaise/l'appareil de traitement d'air qui ont été enlevés précédemment pendant l'installation du serpentin intérieur.

Installations ascendantes

1. Coupez toute alimentation électrique à la fournaise.
2. Installez le boîtier du serpentin sur la sortie d'air de la fournaise et mettez-le au niveau au besoin pour assurer l'évacuation adéquate du condensat. Au besoin, fabriquez une plaque pour adapter le serpentin à l'ouverture d'évacuation d'air. Consultez la [Figure 5 \(page 6\)](#) pour les dimensions du serpentin.
3. Fabriquez et installez le caisson d'air sur le serpentin. Isolez au besoin.
4. Scellez le boîtier au besoin pour minimiser les fuites d'air.
5. Branchez les conduites de frigorigène tel que décrit dans la section Branchement des conduites de frigorigène.

Installations descendantes

Les serpentins C7 peuvent être installés dans les applications descendantes. La fournaise et les boîtiers de serpentins doivent toutefois être solidement fixés ensemble avant l'installation du serpentin. Les applications au combustible fossile requièrent que le serpentin soit installé dans le flux d'air entrant seulement.

Installations horizontales

Les serpentins C7 peuvent être installés horizontalement, mais la fournaise et les boîtiers de serpentins doivent être solidement fixés ensemble avant l'installation du serpentin. Une trousse de bac de vidange horizontale doit aussi être installée sous la fournaise ou de l'appareil de traitement d'air. Consultez la Liste des pièces de rechange pour le numéro des pièces offertes.

RACCORDS DE LIGNE DE REFROIDISSEMENT

NOTE IMPORTANTE POUR L'INSTALLATEUR

Les serpentins C7 ne sont pas chargés de frigorigène en usine. Il sera nécessaire d'évacuer le serpentin intérieur et les conduites avant de charger. Consultez le mode d'installation de l'appareil extérieur pour des instructions de charge détaillées.

Dépressurisation du système

1. Retirez le capuchon ([Figure 1](#)) du bout de la conduite de liquide.
2. Vérifiez la pressurisation en enfonçant la valve Schrader sur le bout de la conduite de liquide. Écoutez pour détecter toute fuite de gaz. S'il n'y a pas de pression, vérifiez s'il y a une fuite dans le serpentin.
 - Si une fuite est détectée, marquez clairement l'emplacement de la fuite et retournez le serpentin au distributeur pour traitement.
 - Si aucune fuite n'est détectée, le serpentin peut être installé.

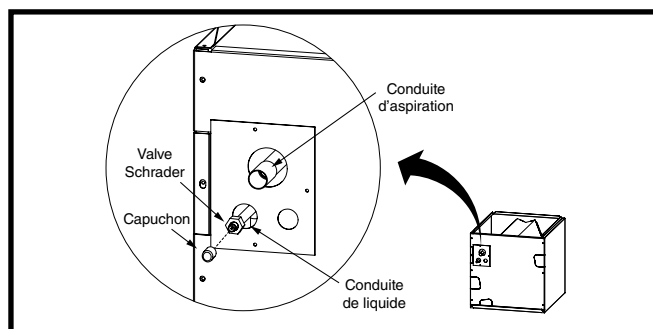


Figure 1. Emplacement des conduites de succion et de liquide

3. Enfoncez la valve pour évacuer toute pression du serpentín.
4. Retirez et jetez la piéce intérieure de la valve et le support de la piéce intérieure de la vanne de la conduite de liquide.
5. Enlevez le bouchon de la conduite de succion.

Démontage et installation de l'orifice

REMARQUE : Avant de continuer, effectuez les étapes 1 à 3 de la section Dépressurisation du système et confirmez que la taille de l'orifice d'étranglement est conforme aux normes décrites dans le guide d'installation de l'unité extérieure. Les tailles d'orifices installés en usine sont données dans le [Tableau 2, \(page 7\)](#). Si l'orifice doit étre remplacé, suivez les étapes 1 à 5.

⚠ MISE EN GARDE :

Pour éviter d'endommager l'appareil ou les composants internes, il est recommandé d'utiliser deux clés pour desserrer ou serrer les écrous. Ne pas trop serrer.

1. À l'aide de deux clés, desserrez l'écrou et le boítier du distributeur tel que montré à la [Figure 2](#). Tournez l'écrou de l'assemblage dans le sens antihoraire jusqu'à ce que les deux moitiés de l'orifice se séparent.
2. Insérez un crochet en fil métallique léger entre le corps du distributeur et l'orifice d'étranglement en prenant soin de ne pas égratigner ces piéces. Retirez délicatement l'orifice d'étranglement du corps du distributeur. Voyez la [Figure 3](#).
3. Vérifiez la taille réelle du nouvel orifice. La taille est imprimée sur le côté. N'utilisez pas une tige étalon pour mesurer le diamètre de l'orifice.
4. Insérez le nouvel orifice dans le corps du distributeur, bout arrondi vers le bas. Voyez la [Figure 4](#).

⚠ MISE EN GARDE :

Pour éviter d'endommager l'appareil ou les composants internes, il est recommandé d'utiliser deux clés pour desserrer ou serrer les écrous. Ne pas trop serrer.

5. Réalignez l'écrou de retenue sur le boítier du détendeur thermostatique et serrez les deux composantes à la main. Tracez une ligne sur les deux corps, puis serrez de 1/4 de tour de plus à l'aide de deux clés. Le mouvement des deux conduites montre à quel point l'écrou est serré. Si une clé dynamométrique est utilisée, serrez entre 10 et 12 pi-lb ou 14 et 16 Nm.

Connexion des conduites

REMARQUE : Si un détendeur thermostatique est installé, veuillez suivre les directives qui accompagnent la trousse. Consultez le [Tableau 1, \(page 7\)](#) pour les numéros de piéces des trousse.

1. Positionnez et coupez les deux tubes de conduites à la longueur appropriée, conformément aux spécifications de l'appareil extérieur. Assurez-vous que les bouts sont ronds, propres et sans bavures.
2. Branchez les tubes des conduites de succion et de liquide.

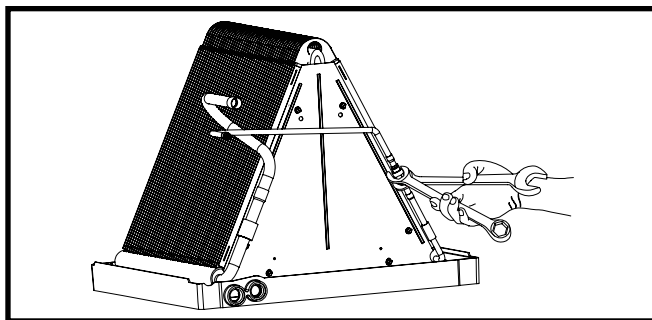


Figure 2. Desserrage de l'écrou et du boítier du distributeur

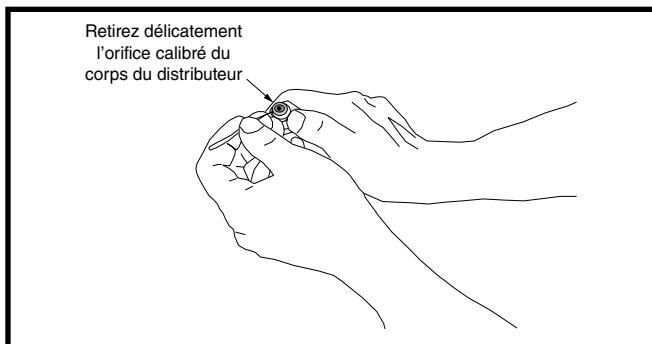


Figure 3. Démontage de l'orifice du corps du distributeur

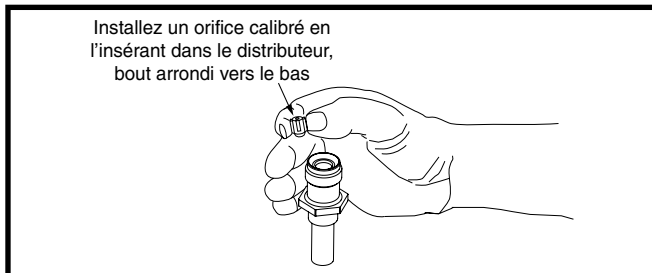


Figure 4. Insertion de l'orifice d'étranglement dans le corps du distributeur

⚠ MISE EN GARDE :

Il est recommandé d'enrouler un chiffon humide autour de la conduite de succion, devant la plaque de fermeture, avant d'appliquer de la chaleur. Le non-respect de cette directive peut causer des dommages structurels, la défaillance prématurée de l'équipement ou même des blessures.

3. Brasez les branchements individuels en faisant circuler de l'azote sec à travers les joints. Cela prévient l'oxydation interne et la formation de tartre.

REMARQUE IMPORTANTE :

Pour prévenir l'oxydation interne et l'entartrage, brasez tous les branchements en faisant circuler de l'azote sec à travers les joints.

4. Enveloppez les conduites de frigorigène de néoprène sensible à la pression ou d'un autre matériau approprié, surtout si les conduites passent par une ouverture dans la tôle.
REMARQUE : Sur les modèles horizontaux avec détendeur thermostatique, remplacez le bulbe thermostatique sur la conduite de succion en position 4 heures ou 8 heures.

Finalisation de l'installation

1. Vérifiez si le système présente des fuites, y compris dans les conduites et les joints brasés. **REMARQUE :** Une solution d'eau savonneuse peut être appliquée sur chaque joint ou raccord-union avec un petit pinceau. Si des bulles se forment, le branchement n'est pas adéquatement scellé.
2. Évacuez l'humidité et les produits non condensables du système pour éviter que l'efficacité soit réduite ou que l'appareil soit endommagé. La plage suggérée d'évacuation est de 250 à 500 microns.
3. Chargez le système de frigorigène. **Veillez consulter la notice d'installation de l'appareil extérieur pour des instructions de charge supplémentaires.**
4. Installez la porte d'accès au serpentin (si elle a été enlevée).
5. Jetez correctement toutes les pièces retirées.
6. Branchez la source d'alimentation à l'appareil.

Drain à condensat

MISE EN GARDE :

Le serpentin doit être à l'équerre et de niveau pour assurer un drainage approprié de la condensation. Une vidange inadéquate du condensat peut causer des dommages structurels, la défaillance prématurée de l'équipement ou même des blessures.

- La méthode d'élimination du condensat varie selon les codes locaux. Consultez les codes locaux ou les autorités qui ont juridiction pour connaître les restrictions et les exigences de mise au rebut appropriée du condensat.
- Tous les bacs à condensat sont pourvus de branchements d'évacuation primaire et secondaire pour être conformes aux exigences du FHA. Si l'application se trouve dans ou au-dessus d'un espace habité qui pourrait être endommagé par un débordement du condensat, un drain supplémentaire de 3/4 po doit être installé sur le branchement d'évacuation secondaire et un deuxième bac d'évacuation doit être installé sous l'appareil en entier. Installez des conduites d'évacuation secondaires où elles seront visibles en cas d'utilisation.
- Le bac de condensat du serpentin est conçu avec des branchements de conduites de 3/4 po NPSC. Utilisez un raccord en PVC ou de matière similaire pour fixer la conduite d'évacuation du bac. **REMARQUE :** Le raccord doit être serré à la main seulement. Un serrage excessif peut fendre le bac d'évacuation et causer une fuite de condensat.
- Le bac de vidange DOIT être vidé à l'aide d'un tube fourni sur place qui sera placé en boucle de façon à faire un siphon.

NOTE IMPORTANTE POUR L'INSTALLATEUR

Si aucun siphon n'était installé, le condensat pourrait déborder du bac d'évacuation et causer des dommages d'eau considérables dans la zone avoisinante.

- Amorcez le siphon avec de l'eau. Isolez la conduite d'évacuation si elle se trouve dans un espace non climatisé, et testez la conduite de condensat pour déceler toute fuite. Consultez les codes locaux pour des restrictions et précautions supplémentaires.
- Acheminez les conduites vers un drain approprié en évitant les courbes trop prononcées et les pincements dans les conduites. Le drain doit conserver une pente horizontale minimale dans la direction de l'évacuation d'au moins 1 po vertical tous les 10 pi de conduite horizontale.
- Pendant la vérification du système, inspectez la conduite et les branchements d'évacuation pour assurer l'évacuation appropriée du condensat.

Filtre à air

Les filtres à air ne sont pas fournis avec ce serpentin; une trousse de filtre à air est toutefois offerte. Consultez la Liste des pièces de rechange pour le numéro des pièces offertes.

Le filtre doit être installé en amont du serpentin et inspecté fréquemment. Lorsque le filtre devient engorgé de poussière ou de charpie, il doit être remplacé (type jetable) ou nettoyé (type lavable). Il est recommandé d'inspecter et de remplacer les filtres au moins deux fois par année. En règle générale, il est préférable de remplacer ou de nettoyer les filtres au début de chaque saison de chauffage et de climatisation.

MAINTENANCE ET ENTRETIEN

AVERTISSEMENT :

RISQUE DE DÉCHARGE ÉLECTRIQUE, D'INCENDIE OU D'EXPLOSION

Le non-respect des avertissements de sécurité pourrait entraîner des blessures graves ou des dommages matériels importants.

Un entretien inapproprié peut provoquer un fonctionnement dangereux, des blessures graves, la mort ou des dommages matériels.

- **Avant toute intervention, coupez l'alimentation électrique à l'appareil.**
- **Pour l'entretien des commandes, étiquetez tous les fils avant de les débrancher. Rebranchez les fils correctement.**
- **Vérifiez le bon fonctionnement après l'intervention.**

MISE EN GARDE :

N'utilisez jamais cet appareil sans filtre dans le réseau de gaines de retour d'air. Remplacez toujours le filtre avec un filtre de la même taille et du même type.

Pour assurer un rendement optimal et minimiser les risques de panne d'équipement, les tâches d'entretien suivantes doivent être effectuées régulièrement sur cet équipement :

1. Le filtre à air installé sur le système doit être vérifié et nettoyé ou remplacé deux fois par an.
2. Vérifiez la propreté du serpentin, du bac d'évacuation et de la conduite d'évacuation du condensat au début de chaque saison de chauffage et de climatisation. Nettoyez au besoin.

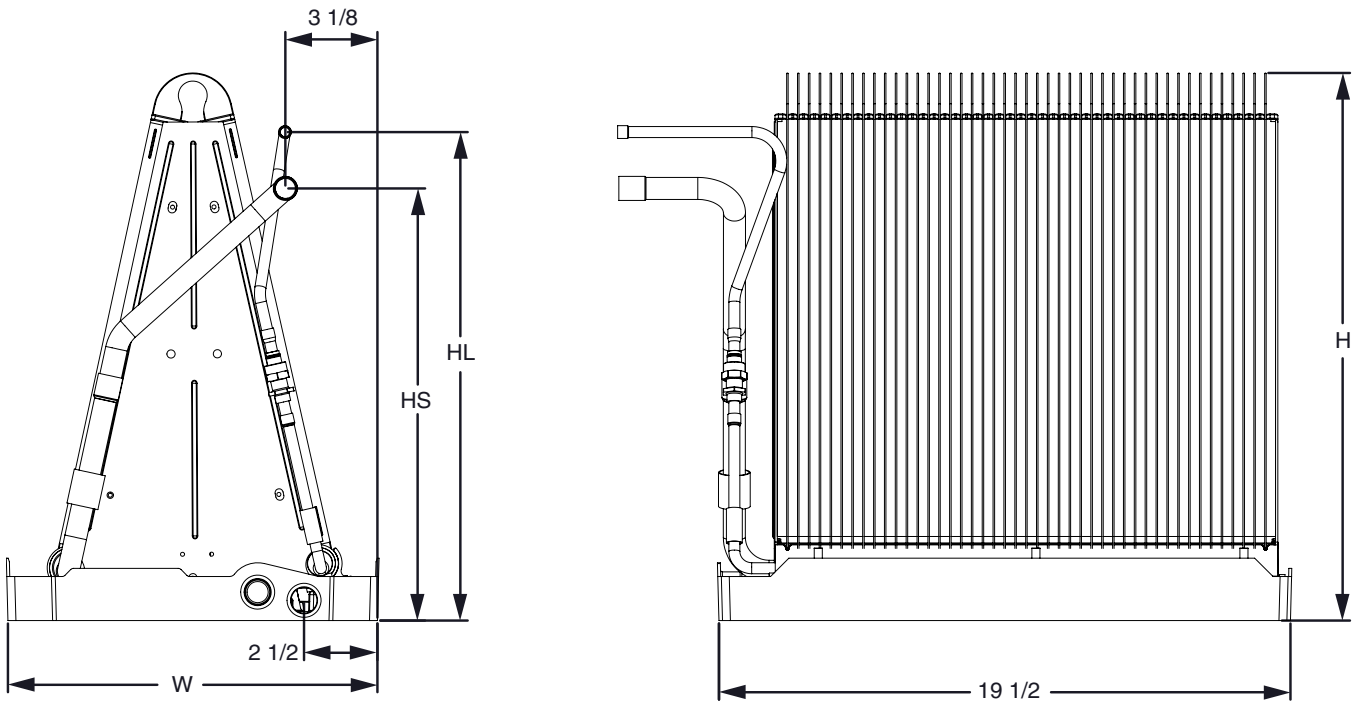


Figure 5. Dimensions du serpentin C7 (sans détendeur thermostatique)

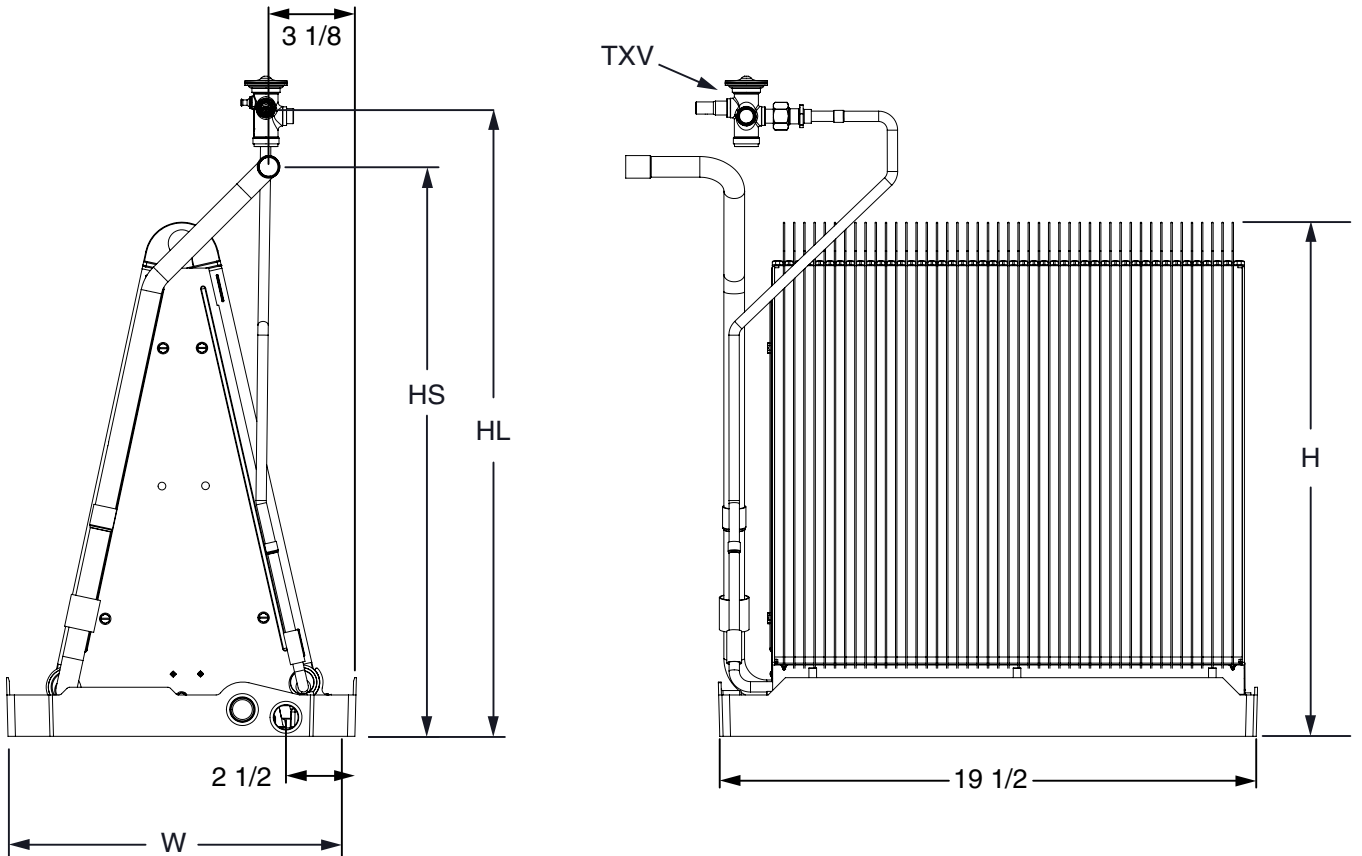


Figure 6. Dimensions du serpentin C7 (avec détendeur thermostatique)

	TROUSSE TXV N/P	TAILLE A.C. OU H.P. (TONNES)
FRIGORIGÈNE R-22	920662A	1,5 ou 2
	920663A	2,5
	920664A	3
	920665A	3,5
	920666A	4
	920667A	5
FRIGORIGÈNE R-410A	920668A	1,5 ou 2
	920669A	2,5
	920670A	3
	920671A	3,5
	920672A	4
	920673A	5

Tableau 1. Numéros de pièces des trouses de détendeur thermostatique

	01824A	03036A	01824B	03036B	03642B	030C	03648C	048C	060C	042D	048D	060D
CAPACITÉ NOMINALE, MIN. BTUH	18 000	30 000	18 000	30 000	36 000	30 000	36 000	48 000	60 000	42 000	48 000	60 000
CAPACITÉ NOMINALE, MAX. BTUH	24 000	36 000	24 000	36 000	42 000		48 000					
TAILLE D'ORIFICE INSTALLÉ (PO)	0,048	0,061	0,055	0,067	0,071	0,061	0,067	0,077	0,083	0,071	0,077	0,083
DÉBIT D'AIR NOMINAL, MIN. (PI ³ /MIN)	800	1 000	800	1 000	1 200	1 000	1 200	1 600	2 000	1 400	1 600	2 000
DÉBIT D'AIR NOMINAL, MAX. (PI ³ /MIN)	800	1 000	800	1 200	1 400		1 600					
W – LARGEUR (PO)	12 3/4	12 3/4	16	16	16	19 1/2	19 1/2	19 1/2	19 1/2	23	23	23
H – HAUTEUR (PO)	18 1/2	18 1/2	18	18	25	18	24 1/2	28 1/2	28 1/2	23 3/4	27 3/4	27 3/4
HL – HAUTEUR DE LA CONDUITE DE LIQUIDE (PO)	17 1/2	17 1/2	17 1/2	17 1/2	23 1/2	23 1/2	23 1/2	27	27	27	27	27
HS – HAUTEUR DE LA CONDUITE DE SUCCION (PO)	15 1/2	15 1/2	15 1/2	15 1/2	21 1/2	21 1/2	21 1/2	25	25	25	25	25
CONNEXION – CONDUITE DE LIQUIDE	3/8	3/8	3/8	3/8	3/8	3/8	3/8	3/8	3/8	3/8	3/8	3/8
CONNEXION – CONDUITE DE SUCCION	3/4	3/4	3/4	3/4	7/8	7/8	7/8	7/8	7/8	7/8	7/8	7/8
TROUSSE DE BAC DE VIDANGE HORIZONTALE	920265	920265	920265	920265	920266	920265	920266	920267	920267	920267	920267	920267

Tableau 2. Spécifications du serpentín C7 (Orifice seulement)

	APPAREILS HORIZONTAUX (3)												
	ARMOIRE « A »			ARMOIRE « B »			ARMOIRE « C »				ARMOIRE « D »		
	X24C-A	X30C-A	X36C-A	X24C-B	X30C-B	X36C-B	X30C-C	X36C-C	X42C-C	X48C-C	X60C-C	X48C-D	X60C-D
CAPACITÉ NOMINALE BTUH	24 000	30 000	36 000	24 000	30 000	36 000	30 000	36 000	42 000	48 000	60 000	48 000	60 000
APPAREIL DE MESURE	TXV	TXV	TXV	TXV	TXV	TXV	TXV	TXV	TXV	TXV	TXV	TXV	TXV
DÉBIT D'AIR NOMINAL (PI ³ /MIN)	800	1000	1000	800	1000	1200	1000	1200	1400	1600	2000	1600	2000
W – LARGEUR (PO)	12,75	12,75	12,75	16	16	16	19,5	19,5	19,5	19,5	19,5	23	23
H – HAUTEUR (PO)	18,5	18,5	18,5	18	18	18	18	24,5	24,5	24,5	28,5	27,75	27,75
HL – HAUTEUR DE LA CONDUITE DE LIQUIDE (PO)	17,5	17,5	17,5	17,5	17,5	17,5	23,5	23,5	23,5	23,5	27	27	27
HS – HAUTEUR DE LA CONDUITE DE SUCCION (PO)	15,5	15,5	15,5	15,5	15,5	15,5	21,5	21,5	21,5	21,5	25	25	25
CONNEXION – CONDUITE DE LIQUIDE	3/8	3/8	3/8	3/8	3/8	3/8	3/8	3/8	3/8	3/8	3/8	3/8	3/8
CONNEXION – CONDUITE DE SUCCION	3/4	3/4	3/4	3/4	3/4	3/4	3/4	7/8	7/8	7/8	7/8	7/8	7/8
TROUSSE DE BAC DE VIDANGE HORIZONTALE	920265	920265	920265	920265	920265	920265	920265	920266	920266	920266	920267	920267	920267

Tableau 3. Spécifications du serpentín C7 (détendeur thermostatique seulement)

REMARQUES :

1. Les orifices calibrés individuels sont disponibles par numéro de pièce – PN664*** (où *** représente la taille). Exemple : 664103 est un orifice calibré de 0,103 de diamètre.
2. Consultez la fiche des spécifications de vente pour les combinaisons d'équipement et d'accessoires requis Homologués/Certifiés.
3. Un X dans la description du modèle indique qu'un détendeur thermostatique pour frigorigène R-410a a été installé en usine.
4. Consultez le répertoire ARI à jour pour les classements certifiés des systèmes multi-blocs.
5. Non requis pour les serpentins horizontaux « H » prêts.

INSTALLER: PLEASE LEAVE THESE INSTRUCTIONS WITH THE EQUIPMENT OWNER.
INSTALLATEUR : VEUILLEZ LAISSER CES Notice AU PROPRIÉTAIRE DE L'ÉQUIPEMENT.



Specifications & illustrations subject to change without notice or incurring obligations (11/20).
O'Fallon, MO, © Nortek Global HVAC LLC 2020. All Rights Reserved.

Spécifications et illustrations sujettes à changements sans préavis ou sans aucune obligation.
(11/20) O'Fallon, MO, © Nortek Global HVAC LLC 2020. Tous droits réservés.



10348620
(Replaces 10250400)
(remplace 10250400)