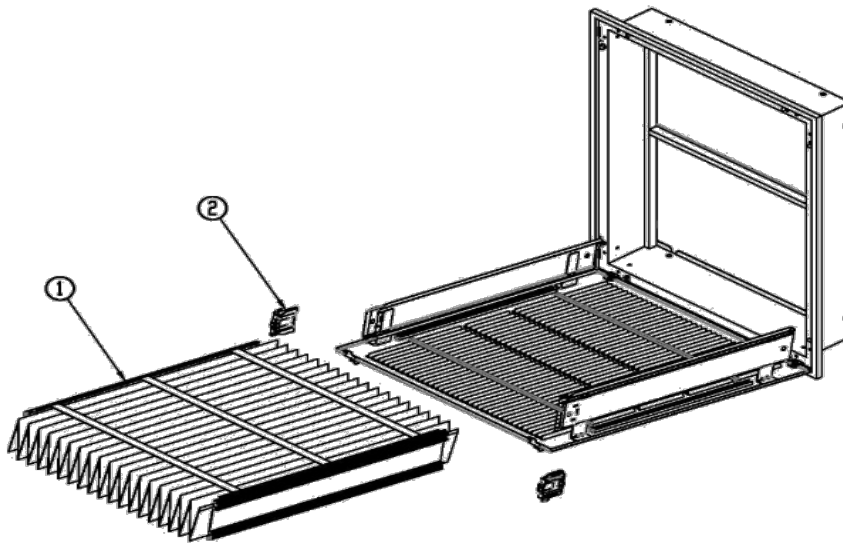




## Air Cleaners

### Dealer Parts List

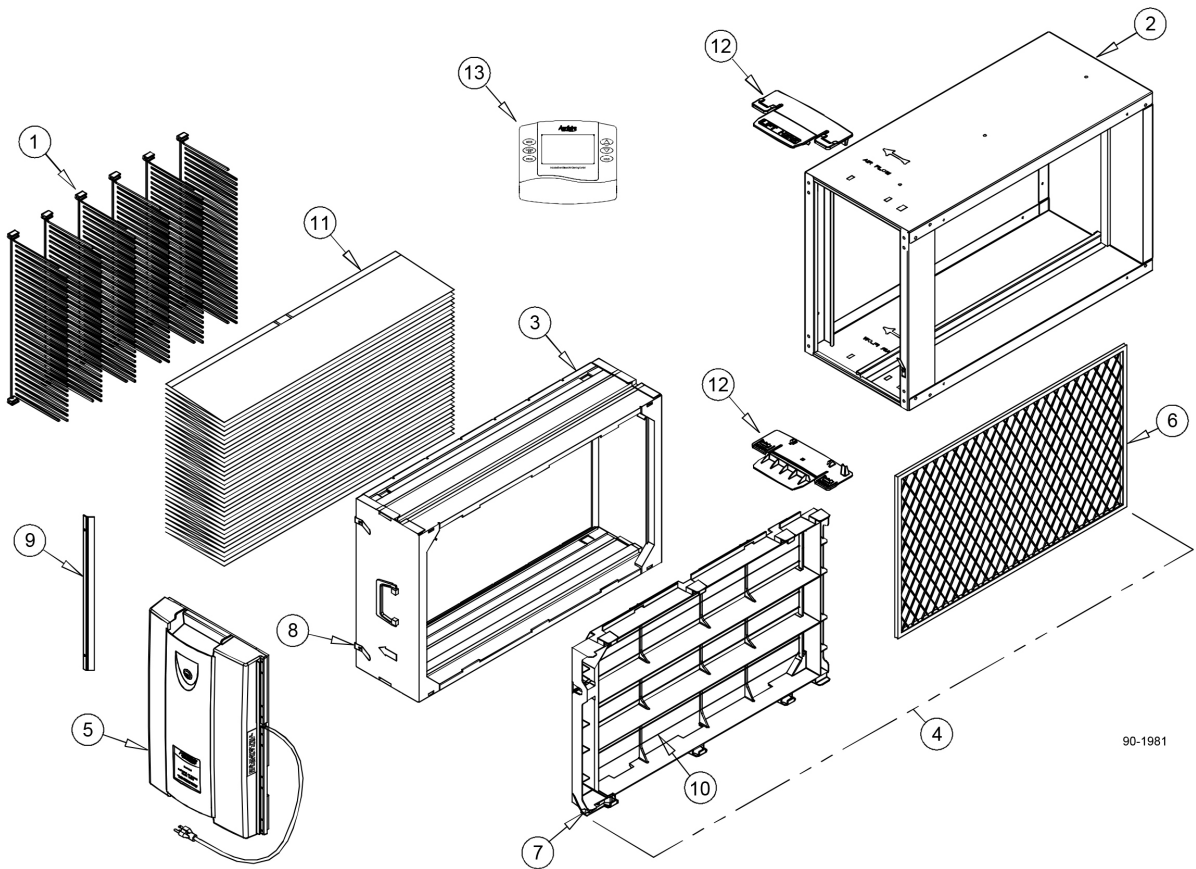
Models 1625FG11, 1625FG13, 2025FG11, & 2025FG13



90-2511

NO.	PART DESCRIPTION	SELLPACK * Must be ordered in multiples of*	PART NO.
1	MERV 11 for 1625FG	1	610
	MERV 13 for 1625FG	1	613
	MERV 11 for 2025FG	1	810
	MERV 13 for 2025FG	1	813
2	Alignment Block	1	5823

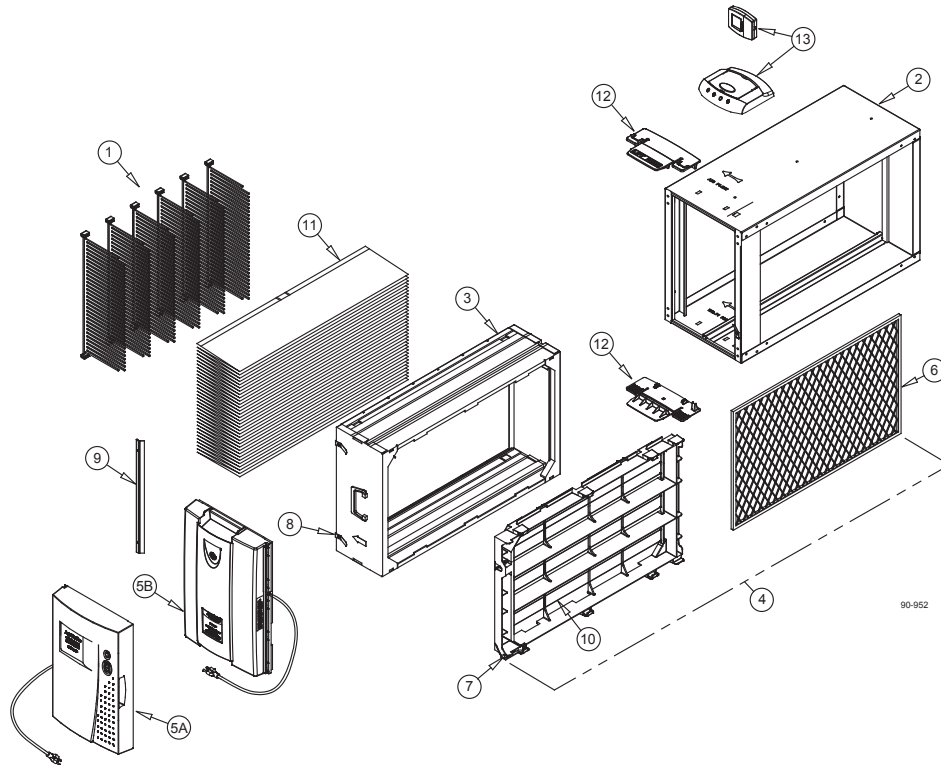
# AprilAire® Model 5000 Air Cleaner (After April 2014)



90-1981

NO.	PART DESCRIPTION	Release Date April 2014	
		SELLPACK *Must be ordered in multiples of*	PART NO.
1	Pleat Spacer	6	4270
2	Outer Housing - Almond	1	4597
2	Outer Housing - Gray	1	4826
3	Inner Housing with Seals (Includes 6 Pleat Spacers)	1	4308
4	Ionizer Frame Assembly (Includes 9 (4602) Ionizing Wires, 1 (4311) Control Electrode and 1 (4599) Ground Contact )	1	4598
5	PowerPack/Door Assembly - Gray (Release Date July 2008)	1	4827
6	Control Electrode	1	4311
7	Ground Contact	1	4599
8	Media Ground Contact	2	4313
9	Media Ground Assembly	1	4314
10	Ionizer Wire - used with Almond Ionizing Frame	3	4602
10	Ionizer Wire - used with Gray Ionizing Frame	3	4315
11	Media (Individually Packaged)	10	501
12	Door Latch Replacement Kit	1	5268
13	Universal Programmable Thermostat with Event-Based Air Cleaning (before October 2021)	1	8476
<b>OTHER PARTS</b>			
	Seal Kit	1	4704

# AprilAire® Model 5000 Air Cleaner (Before April 2014)

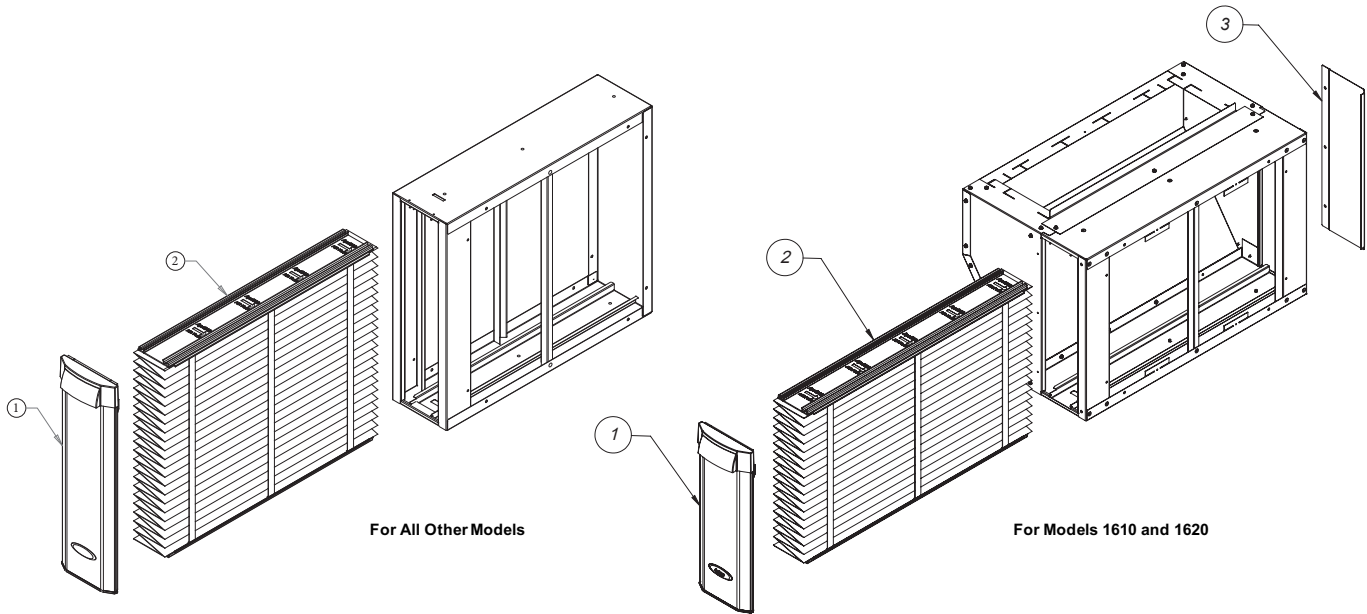


NO.	PART DESCRIPTION	Release Date May 2005		Release Date Prior May 2005	
		SELL PACK *Must be ordered in multiples of*	PART NO.	SELL PACK *Must be ordered in multiples of*	PART NO.
1	Pleat Spacer	6	4270	6	4270
2	Outer Housing - Almond	1	4597	1	4307 (Obsolete)
2	Outer Housing - Gray	1	4826	N/A	N/A
3	Inner Housing with Seals (Includes 6 Pleat Spacers)	1	4308	1	4308
4	Ionizer Frame Assembly (Includes 9 (4602) Ionizing Wires, 1 (4311) Control Electrode and 1 (4599) Ground Contact )	1	4598	1	4598
5A	Power Pack/Door Assembly (Almond is Obsolete, Only Available in Gray)	Obsolete*		Obsolete <sup>4</sup>	
5B	PowerPack/Door Assembly - Gray (Release Date July 2008)	1	4827	N/A	N/A
6	Control Electrode	1	4311	1	4311
7	Ground Contact	1	4599	1	4599
8	Media Ground Contact	2	4313	2	4313
9	Media Ground Assembly	1	4314	1	4314
10	Ionizer Wire - Used with Almond Ionizing Frame	3	4602	N/A	N/A
10	Ionizer Wire - Used with Gray Ionizing Frame	N/A	N/A	3	4315
11	Media (Individually Packaged)	10	501	10	501
12	Door Latch Replacement Kit	1	5268	1	4600 (Obsolete)
13	Air Cleaner Control & LED Base	1	4838 (Obsolete)	N/A	N/A
<b>OTHER PARTS</b>					
	Seal Kit	1	4704	1	4704

\* Replaced by Part No. 4827.

<sup>4</sup>Contact Aprilaire Customer Service

# AprilAire Series 1000 Air Cleaners



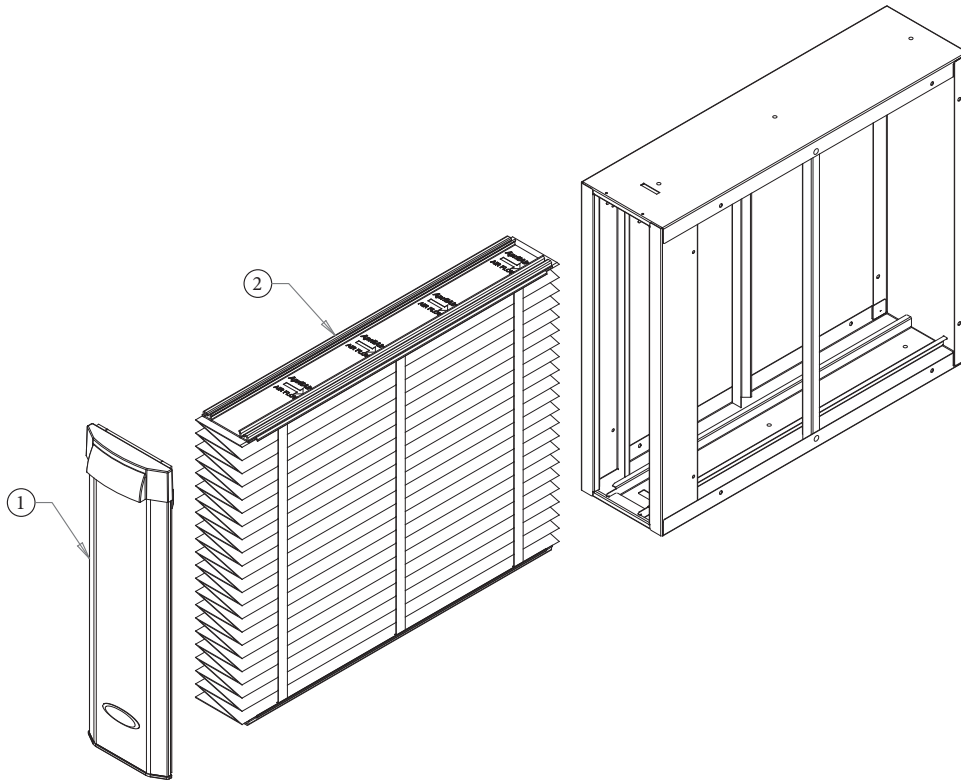
## AprilAire® Model 1110/1210/1310/1410 – Initially Ships with MERV 11 Media

NO.	PART DESCRIPTION	Model 1110		Model 1210		Model 1310		Model 1410	
		SELL PACK *Must be ordered in multiples of*	PART NO.	SELL PACK *Must be ordered in multiples of*	PART NO.	SELL PACK *Must be ordered in multiples of*	PART NO.	SELL PACK *Must be ordered in multiples of*	PART NO.
1	Replacement Door	1	4054	1	4867	1	4962	1	4868
2	AprilAire Replacement Media - MERV 16	N/A	N/A	6	216	N/A	N/A	6	416
2	AprilAire Carbon-Backed Replacement Media - MERV 13	N/A	N/A	6	213CBN	N/A	N/A	6	413CBN
2	AprilAire Replacement Media - MERV 13	8	113	8	213	8	313	8	413
2	AprilAire Replacement Media - MERV 11	8	110	8	210	8	310	8	410

## AprilAire® Model 1510/1610/1620/1910 – Initially Ships with MERV 11 Media

NO.	PART DESCRIPTION	Model 1510		Model 1610		Model 1620		Model 1910	
		SELL PACK *Must be ordered in multiples of*	PART NO.	SELL PACK *Must be ordered in multiples of*	PART NO.	SELL PACK *Must be ordered in multiples of*	PART NO.	SELL PACK *Must be ordered in multiples of*	PART NO.
1	Replacement Door	1	5424	1	4077	1	4078	1	4097
2	AprilAire Replacement Media - MERV 16	4	516	6	416	6	216	N/A	N/A
2	AprilAire Carbon-Backed Replacement Media - MERV 13	4	513CBN	6	413CBN	6	213CBN	N/A	N/A
2	AprilAire Replacement Media - MERV 13	8	513	8	413	8	213	8	913
2	AprilAire Replacement Media - MERV 11	8	510	8	410	8	210	8	910
3	Blanking Plate with Hardware (for Easy Install Air Cleaners)	N/A	N/A	1	5736	1	5737	N/A	N/A

# AprilAire Series 2000 Air Cleaners



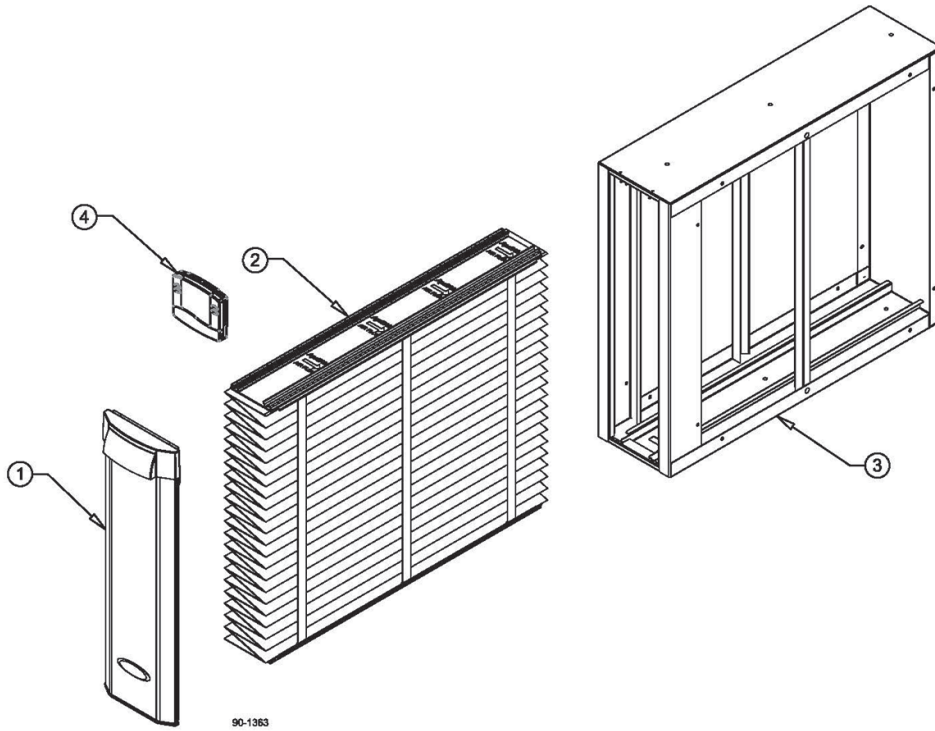
## AprilAire® Model 2216/2416/2516 – Initially ships with MERV 16 Media

NO.	PART DESCRIPTION	Model 2216		Model 2416		Model 2516	
		SELL PACK *Must be ordered in multiples of*	PART NO.	SELL PACK *Must be ordered in multiples of*	PART NO.	SELL PACK *Must be ordered in multiples of*	PART NO.
1	Replacement Door	1	4867	1	4868	1	5424
2	AprilAire Replacement Media - MERV 16	6	216	6	416	4	516
2	AprilAire Carbon-Backed Replacement Media - MERV 13	6	213CBN	6	413CBN	4	513CBN
2	AprilAire Replacement Media - MERV 13	8	213	8	413	8	513
2	AprilAire Replacement Media - MERV 11	8	210	8	410	8	510

## AprilAire® Model 2210/2310/2410 – Initially Ships with MERV 13 Media

NO.	PART DESCRIPTION	Model 2210		Model 2310		Model 2410	
		SELL PACK *Must be ordered in multiples of*	PART NO.	SELL PACK *Must be ordered in multiples of*	PART NO.	SELL PACK *Must be ordered in multiples of*	PART NO.
1	Replacement Door	1	4867	1	4962	1	4868
2	AprilAire Replacement Media - MERV 16	6	216	N/A	N/A	6	416
2	AprilAire Carbon-Backed Replacement Media - MERV 13	6	213CBN	N/A	N/A	6	413CBN
2	AprilAire Replacement Media - MERV 13	8	213	8	313	8	413
2	AprilAire Replacement Media - MERV 11	8	210	8	310	8	410

## AprilAire® Model 3210/3310/3410 Air Cleaners\*\*



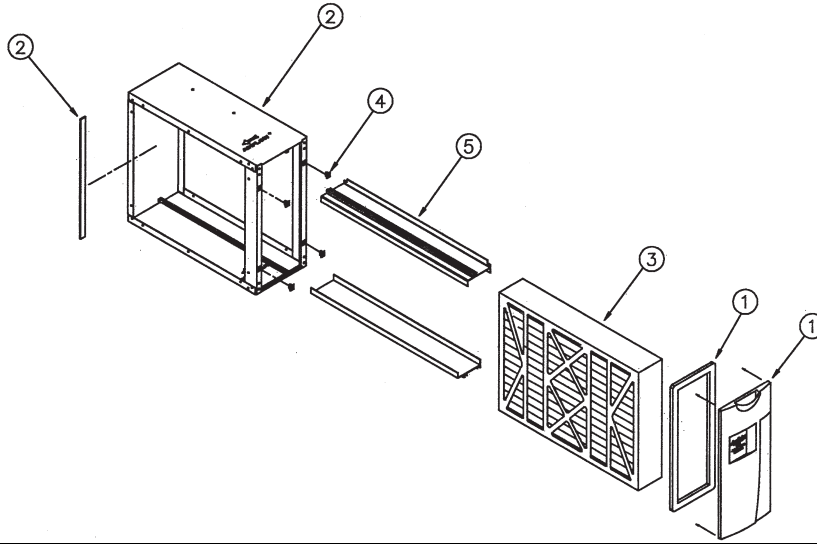
90-1363

NO.	PART DESCRIPTION	SELLPACK * Must be ordered in multiples of*	Model 3210	Model 3310	Model 3410
			PART NO.	PART NO.	PART NO.
1	Replacement Door	1	4867	4962	4868
2	AprilAire Replacement Media - MERV 16	6	216	N/A	416
2	AprilAire Carbon-Backed Replacement Media - MERV 13	6	213CBN	N/A	413CBN
2	AprilAire Replacement Media - MERV 13	8	213	313	413
2	AprilAire Replacement Media - MERV 11	8	210	310	410
3	Universal Programmable Thermostat with Event-Based Air Cleaning	1	8476	8476	8476

\*\* Model 3000 Series Air Cleaners Initially Ship with a MERV 13 Media Filter

\*\* Full units no longer available, parts only.

## AprilAire® Model 2120<sup>1</sup>/2140<sup>1</sup> Air Cleaners



NO.	PART DESCRIPTION	SELL PACK * Must be ordered in multiples of*	Model 2120	Model 2140
			PART NO.	PART NO.
1	Door		Obsolete <sup>5</sup>	
2	Outer Housing		Obsolete <sup>5</sup>	
3	Filter Cartridge	5	Obsolete <sup>2</sup>	Obsolete <sup>3</sup>
4	Latches	4	4349 (Obsolete)	4349 (Obsolete)
5	Cartridge Channels <sup>4</sup>		Obsolete <sup>5</sup>	
6	Upgrade Kit	6	1213	1413
<b>OTHER PARTS</b>				
	Styrofoam Door Seal for Upgrade Kit 1213	20	4895	N/A
	Styrofoam Door Seal for Upgrade Kit 1413	20	N/A	4896

<sup>1</sup> Full units no longer available, parts only.

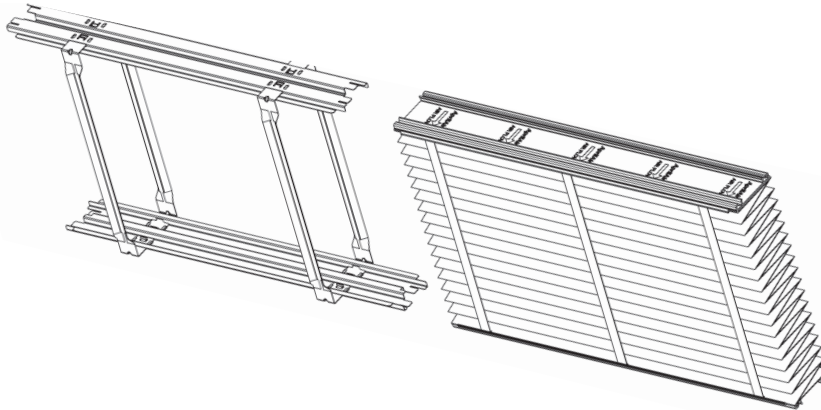
<sup>2</sup> Replaced by Part No. 1213 Upgrade Kit.

<sup>3</sup> Replaced by Part No. 1413 Upgrade Kit.

<sup>4</sup> Each Carton.

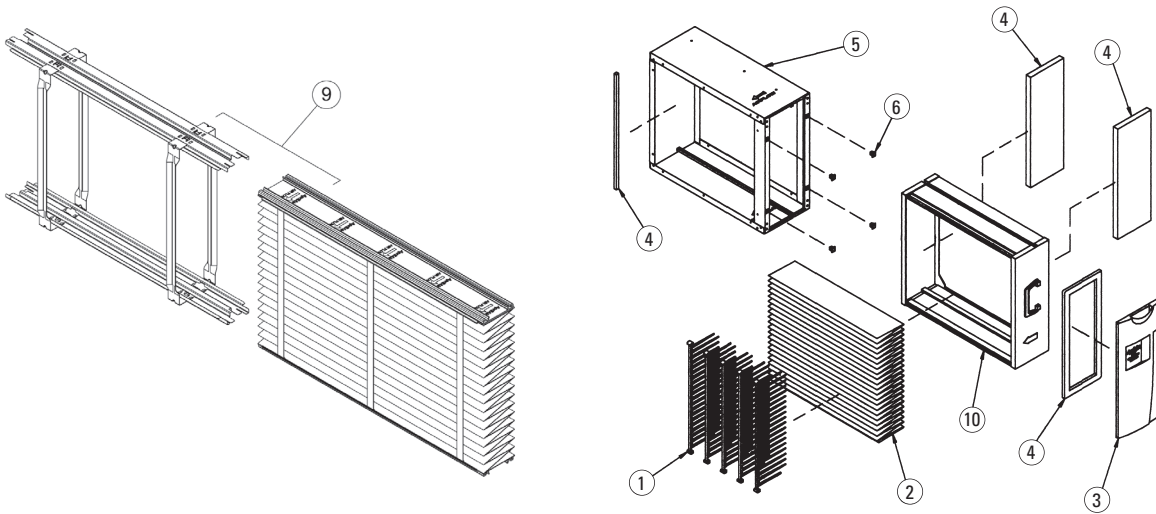
<sup>5</sup> Contact Aprilaire Customer Service

## Competitive Upgrade Kits



NO.	PART DESCRIPTION	SELL PACK * Must be ordered in multiples of*	PART NO.
1	Conversion Frame for 16" x 25" and 20" x 25" Cabinets	1	4897
1	Conversion Frame for 16" x 20" and 20" x 20" Cabinets	1	4898
2	110 Media, 16" x 20" MERV 11 Compatible with Part No. 4898	1	110
2	113 Media, 16" x 20" MERV 13 Compatible with Part No. 4898	1	113
2	310 Media, 20" x 20" MERV 11 Compatible with Part No. 4898	1	310
2	313 Media, 20" x 20" MERV 13 Compatible with Part No. 4898	1	313
2	610 Media, 16" x 25" MERV 11 Compatible with Part No. 4897	1	610
2	613 Media, 16" x 25" MERV 13 Compatible with Part No. 4897	1	613
2	810 Media, 20" x 25" MERV 11 Compatible with Part No. 4897	1	810
2	813 Media, 20" x 25" MERV 13 Compatible with Part No. 4897	1	813

## AprilAire® Model 2200<sup>1</sup>/ 2400<sup>1</sup> Air Cleaners



### AprilAire® Model 2200<sup>1</sup> Air Cleaner

NO.	PART DESCRIPTION	Release Date May 2002		Release Date Prior May 2002	
		SELL PACK *Must be ordered in multiples of*	PART NO.	SELL PACK *Must be ordered in multiples of*	PART NO.
1	Pleat Spacer	5	4119	5	4119
2	Media	10	201	10	201
3	Plastic Door with Seal - Almond	Obsolete <sup>6</sup>		Obsolete <sup>6</sup>	
	Plastic Door with Seal - Grey	1	4822	N/A	N/A
4	Seal Kit	1	4725	1	4725
5	Outer Housing	N/A	N/A	N/A	N/A
6	Latches	4	4349 (Obsolete)	N/A	N/A
<b>OTHER PARTS</b>					
9	Media Upgrade Kit	6	1213	6	1213
10	Plastic Inner Housing w/Seals (4114)	Obsolete - Please see Part No. 1213, Media Upgrade Kit <sup>7</sup>			
	Door Retainer and Spacers (Screw-In)	1	4208	1	4208 (Obsolete)
	Door Retainer and Spacers (Snap-In)	N/A	N/A	Obsolete <sup>6</sup>	
	Styrofoam Door Seal for Upgrade Kit 1213	20	4895	N/A	N/A
	Holding Brackets	2	4121 (Obsolete)	2	4121 (Obsolete)
	Seal for Metal Door	1	4210 (Obsolete)	1	4210 (Obsolete)
	Control Upgrade Kit	1	4838 (Obsolete)	1	4838 (Obsolete)

### AprilAire® Model 2400<sup>1</sup> Air Cleaner

NO.	PART DESCRIPTION	Release Date May 2002		Release Date Prior May 2002	
		SELL PACK *Must be ordered in multiples of*	PART NO.	SELL PACK *Must be ordered in multiples of*	PART NO.
1	Pleat Spacer	6	4270	6	4270
2	Media	10	401	10	401
3	Plastic Door with Seal - Almond	Obsolete <sup>6</sup>		Obsolete <sup>6</sup>	
	Plastic Door with Seal - Grey	Obsolete <sup>6</sup>		N/A	N/A
4	Seal Kit	1	4724	1	4724
5	Outer Housing	N/A	N/A	N/A	N/A
6	Latches	4	4349 (Obsolete)	N/A	N/A
<b>OTHER PARTS</b>					
9	Media Upgrade Kit	6	1413	6	1413
10	Plastic Inner Housing w/Seals (4272)	Obsolete - Please see Part No. 1413, Media Upgrade Kit <sup>8</sup>			
	Styrofoam Door Seal for Upgrade Kit 1413	20	4896	N/A	N/A
	Control Upgrade Kit	1	4838 (Obsolete)	1	4838 (Obsolete)

<sup>1</sup> Full units no longer available, parts only.

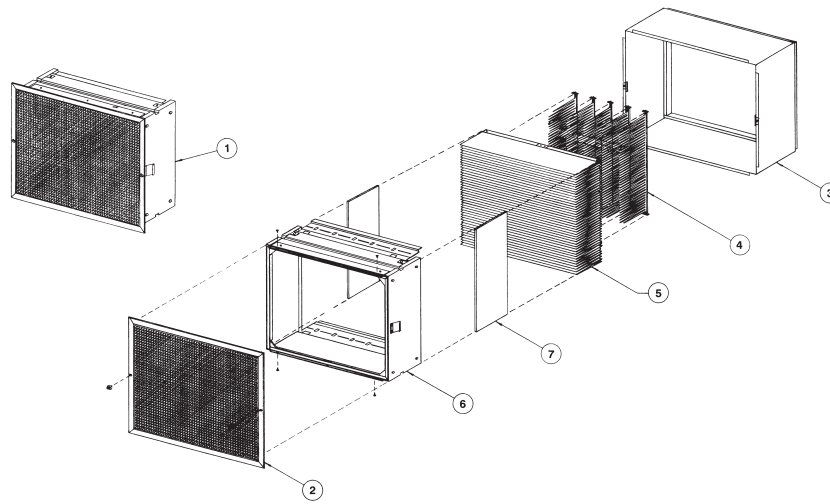
<sup>6</sup> Contact Aprilaire Customer Service.

<sup>7</sup> Aprilaire suggests upgrading to Part No. 1213 Upgrade Kit to replace pleat spacer for ultimate performance of Model 2200.

<sup>8</sup> Aprilaire suggests upgrading to Part No. 1413 Upgrade Kit to replace pleat spacer for ultimate performance of Model 2400.

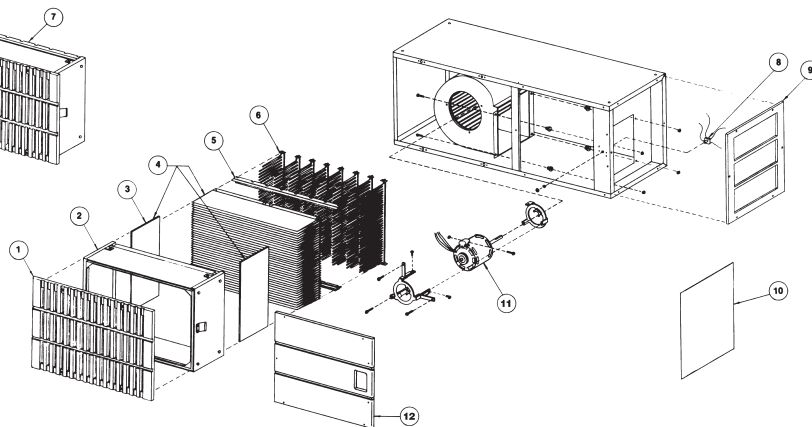


## AprilAire® Model 2250' Air Cleaner



NO.	PART DESCRIPTION	SELLPACK * Must be ordered in multiples of*	PART NO.
1	Complete Grille Assembly	1	4130
2	Grille	1	4132
3	Rough-In-Box	1	4133
4	Pleat Spacers <sup>6</sup>	5	4119
5	Media	10	201
6	Housing Without Grille (Includes 5 Pleat Spacers)	1	4131
7	Inner Housing Seal Kit	1	4168 (Obsolete)
<b>OTHER PARTS</b>			
	Holding Brackets	2	4121 (Obsolete)

## AprilAire® Model 2600' Air Cleaner



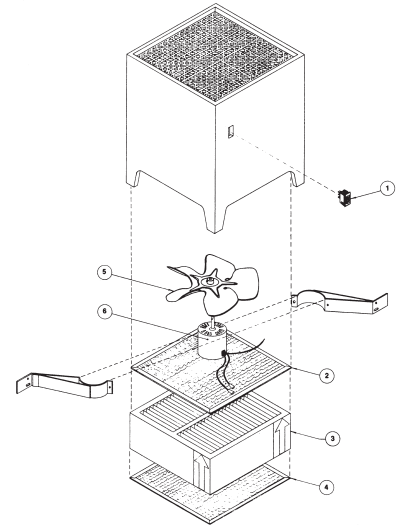
NO.	PART DESCRIPTION	SELLPACK * Must be ordered in multiples of*	PART NO.
1	Grille Without Housing	1	4145 (Obsolete)
2	Inner Housing With Seals	1	4177 (Obsolete)
3	Inner Housing Seals	2	4168 (Obsolete)
4	Media and 2 Seals	10	261 (Obsolete)
5	Holding Brackets (Obsolete)	2	4125
6	Pleat Spacers <sup>6</sup>	4	4120
7	Inlet Cover Assembly (Obsolete)	1	4135
8	Master Switch	1	4134 (Obsolete)
9	Outlet Frame Assembly	1	4169 (Obsolete)
10	Grille Cloth Only	1	4158 (Obsolete)
11	Motor	1	4138 (Obsolete)
12	Motor Access Door	1	4178 (Obsolete)

<sup>1</sup> Full units no longer available, parts only.

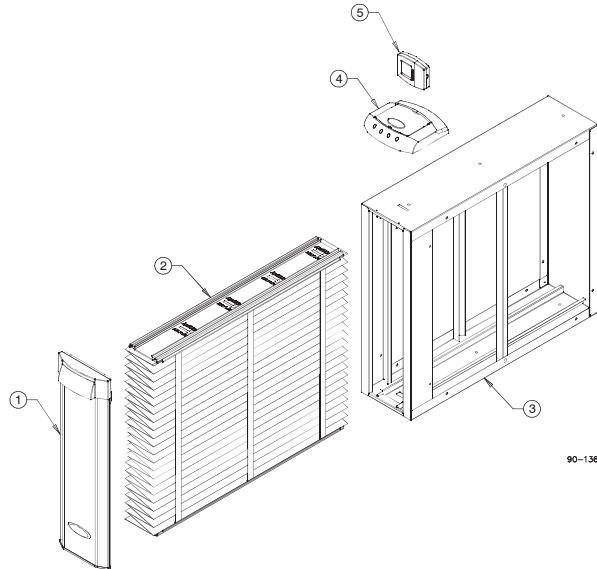
<sup>6</sup> Contact Aprilaire Customer Service.

## AprilAire® Model 2275 Air Cleaner

NO.	PART DESCRIPTION	SELL PACK * Must be ordered in multiples of*	PART NO.
1	Switch	1	4172
2	Safety Screen	1	4175
3	Media	10	275
4	Pre-Filter	1	4176
5	Fan Blade	1	4173
6	Motor	1	4174



## AprilAire® Model 4200<sup>1</sup>/ 4300<sup>1</sup>/ 4400<sup>1</sup> Air Cleaners



90-1363

NO.	PART DESCRIPTION	SELL PACK * Must be ordered in multiples of*	Model 4200	Model 4300	Model 4400
			PART NO.	PART NO.	PART NO.
1	Replacement Door	1	4867	4962	4868
2	AprilAire Replacement Media - MERV 13	8	213	313	413
2	AprilAire Replacement Media - MERV 11	8	210	310	410
3	Replacement Housing	1	4834 (Obsolete)	4965 (Obsolete)	4835 (Obsolete)
4&5	Air Cleaner, Control & LED Base	1	4838 (Obsolete)	4838 (Obsolete)	4838 (Obsolete)

<sup>1</sup>Full units no longer available, parts only.

# AprilAire®

PO Box 1467

Madison, WI 53701-1467

Phone: 800.334.6011 Fax: 608.257.4357