

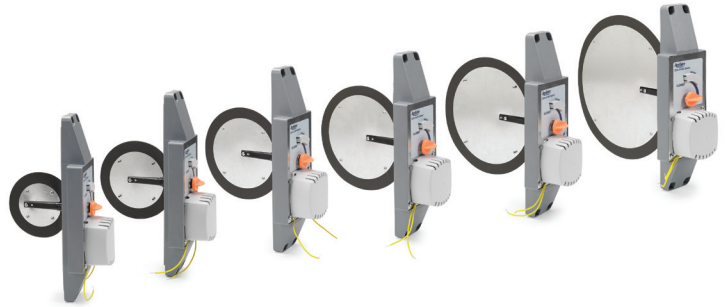
AprilAire[®]

Zone Control

SPECIFICATION SHEET

Round Slip-In Dampers

Model 8028 Damper Power Distribution Panel



FEATURES

Comfort:

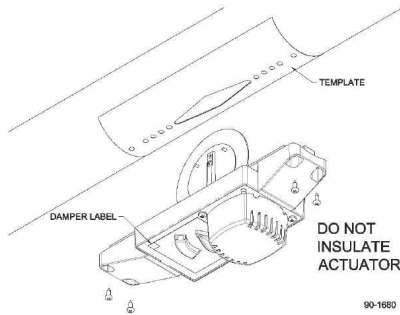
- Improve area to area comfort without major redesign of existing ductwork
- More cost effective than new duct system, both labor and materials

Convenience:

- Works with any of the AprilAire Zone Control Panels for completely automatic operation
- Add AprilAire thermostats for the ultimate in convenience and comfort

Energy Savings:

- It makes sense; don't waste energy conditioning the whole home, only condition areas that need it. "Would you have a single light switch to control all the lights in your home?"



CONTRACTOR BENEFITS

Profitable:

- You can now provide an economical solution to your customers' comfort needs.

Easy Installation:

- Simply cut a slot, insert the damper and screw or strap the damper to the duct.

Installer Friendly:

- Highly visible damper blade position indicator shows damper position, simplifying check-out and troubleshooting.

Reliable:

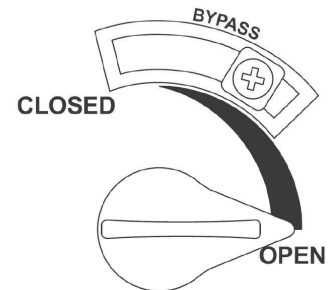
- "No gears" Flex-Link™ technology ensures long life.

Fail Safe:

- Power closed/spring open design assures air flow to all zones even if there is a loss of power to the damper.

BYPASS AIRFLOW (CFM) AT 0.2" WC SUPPLY SIDE PRESSURE

Damper Size	4"	5"	6"	7"	8"	10"
Controlled Pressure Relief	8	20	25	39	56	81
Closed	7	7	7	6	6	6



ROUND SLIP-IN DAMPER SPECIFICATIONS

Duct Size	4" Round	5" Round	6" Round	7" Round	8" Round	10" Round
Model Number	6704	6705	6706	6707	6708	6710
Overall Size	12 3/5" H x 3 4/5" W x 7 3/10 D	12 3/5" H x 3 4/5" W x 8 3/10 D	12 3/5" H x 3 4/5" W x 9 3/10 D	12 3/5" H x 3 4/5" W x 10 3/10 D	12 3/5" H x 3 4/5" W x 11 3/10 D	12 3/5" H x 3 4/5" W x 13 3/10 D
Weight (Shipping)	2.4 lbs.	2.4 lbs.	2.6 lbs.	2.7 lbs.	2.8 lbs.	3.2 lbs.

MODEL 8028 POWER DISTRIBUTION PANEL

FEATURES

- Simplifies installation when the number of dampers exceeds the fuse rating of the zone panel
- Makes troubleshooting easier
- Gives a professional and clean appearance to your installation



MODEL 8028 SPECIFICATIONS

Max. Damper Power Input Per Zone	100VA @ 24VAC
Damper Fuse Size	5 A fast acting (spare supplied)
Control Input Current Draw (Zone A & B)	50 mA @ 24VAC
Max. No. of AprilAire Dampers per Zone	10
Max. Wire Size	18 AWG
Application Temperature / RH	140°F / 90% RH (non-condensing)

