

AprilAire®

Humidifier

SUBMITTAL SHEET

Model 801

Modulating Steam Humidifier

Project: _____

Dealer: _____

Architect: _____

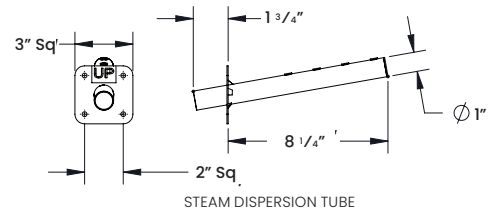
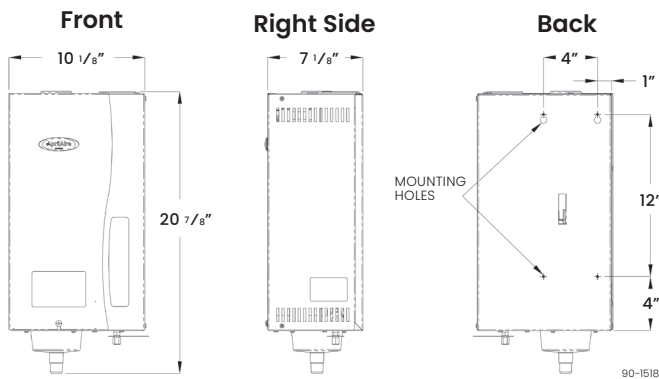
Engineer: _____

Contractor: _____

Location: _____

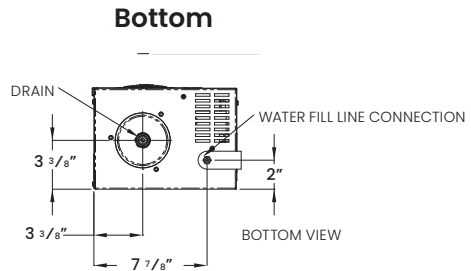
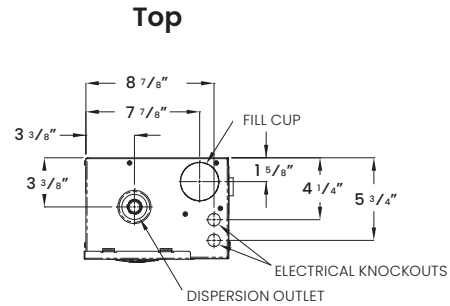
Suppliers: _____

Date: _____



SPECIFICATIONS

Steam Capacity	11.5 - 34.6 GPD
Modulating input signal	0 - 20 VDC 0 - 10 VDC or 0 - 20 mA 2 - 10 VDC or 4 - 20 mA
Water Characteristics:	
• Water type	Cold hard, cold soft, or cold softened
• Water hardness	3 - 36 grains
• Conductivity	125 - 1250 micro Siemens per centimeter
Electrical Characteristics:	
• Voltage	120, 208 or 240VAC
• Amp draw	11.5 or 16 amps
Drain Tempering	Drains with cold inlet water



The submittal is intended to show general, overall product dimensions and provide guidance for installation clearance. Drawings are not to scale. Ensure submittals are current. AprilAire reserves the right to make product changes without notification or obligation.

