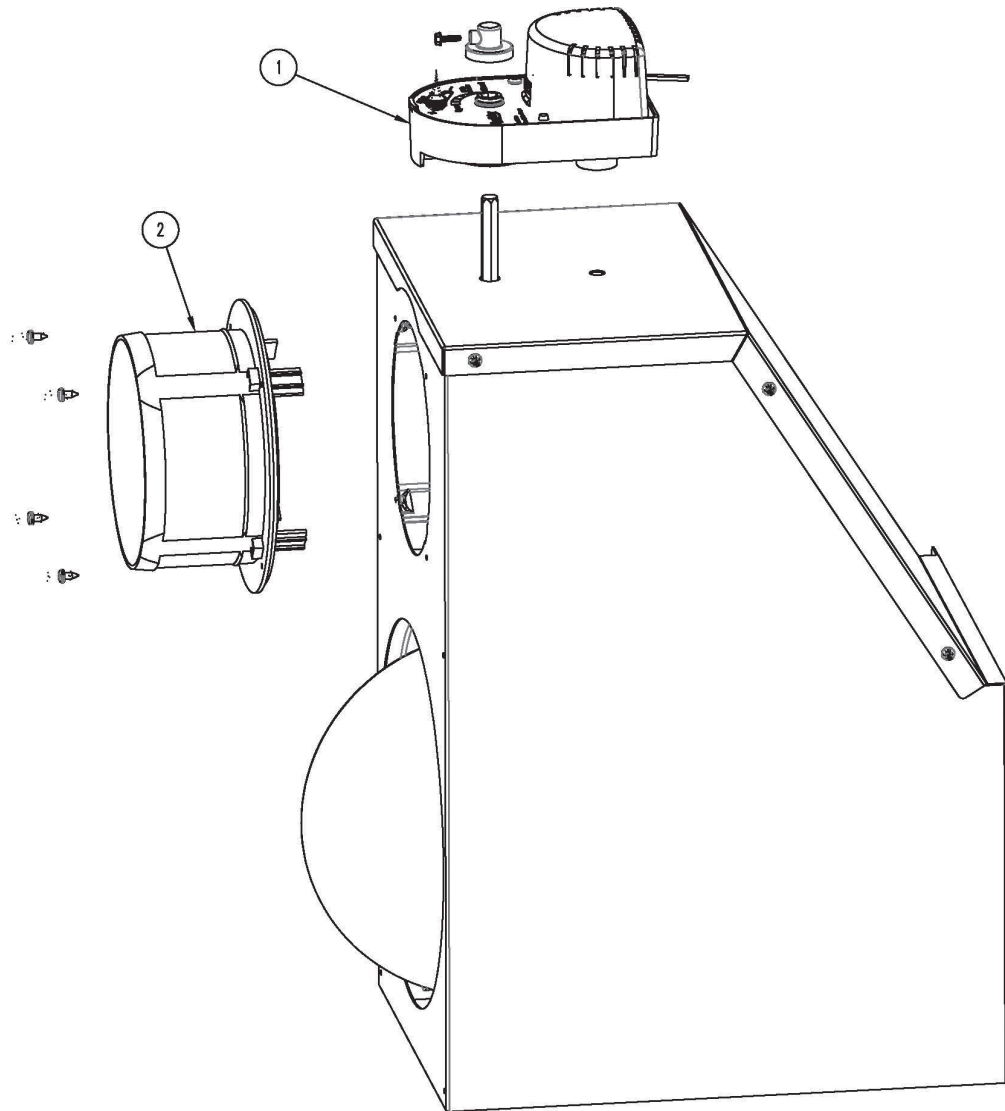


## Air Cleaners

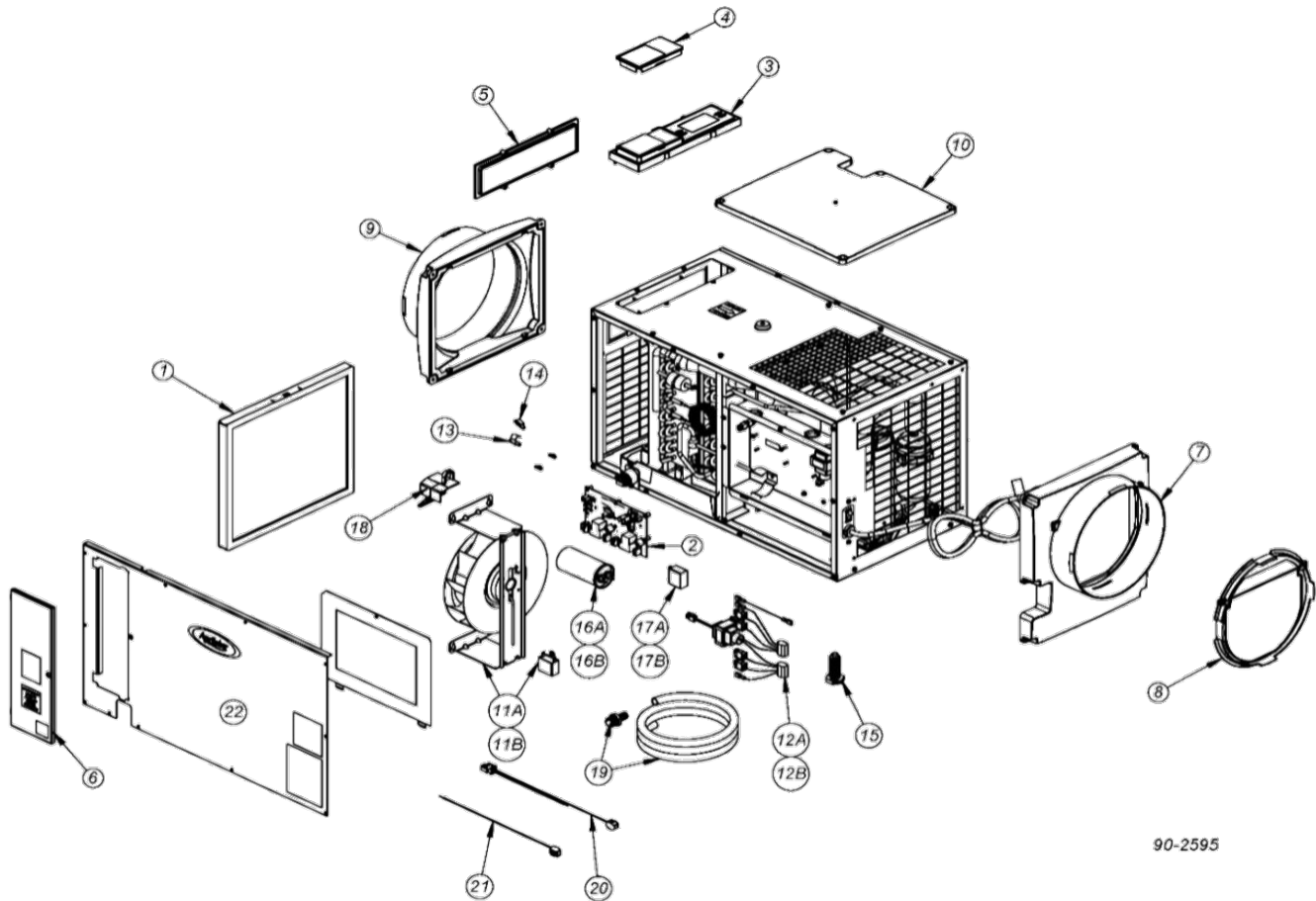
### Dealer Parts List

#### Model 8190FF



NO.	PART DESCRIPTION	SELL PACK *Must be ordered in multiples of*	PART NO.
1	Replacement Actuator, N.C. (Normally Closed)	1	6999
2	Collar, 6", Plastic	1	5643
Not Shown	Wire Harness, Ventilator, 24V	1	5888

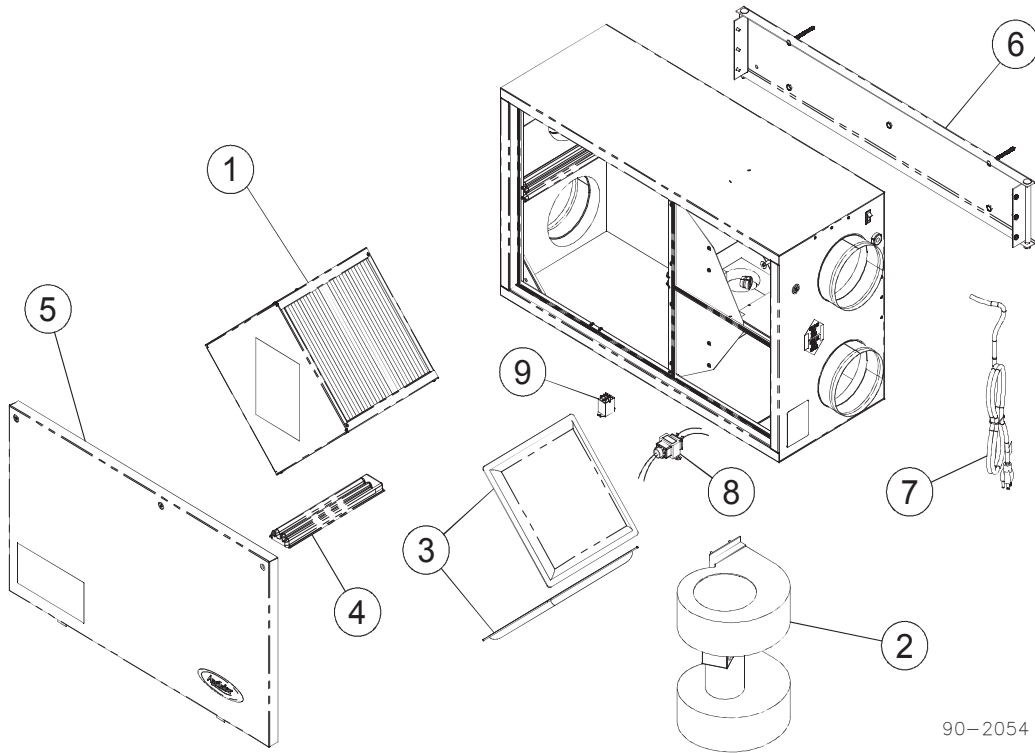
## Model 8192A



90-2595

NO.	PART DESCRIPTION	SELL PACK *Must be ordered in multiples of*	PART NO.
1	EZK Filter, 13.5" x 11.875" x 0.875	1	5881
2	Internal Control Board	1	5444
3	User Interface Assembly	1	5564
4	Wiring Access Door	1	5446
5	UI Control Hole Cover	1	5447
6	Filter Access Door (8192A)	1	5882
7	Outlet Duct Panel	1	5449
8	10" Backflow Damper	1	5450
9	Inlet Duct Panel	1	5451
10	Outlet Cover	1	5452
11	Fan with Run Capacitor, 12MFD, 450VAC	1	5886
12	Transformer and Wire Harness	1	5884
13	Low Temperature Sensor	1	5455
14	High Temperature Sensor	1	5456
15	Leveling Foot	1	5457
16	Capacitor, 50 Pint	1	5594
17	Fan Run Capacitor, 12MFD, 450VAC	1	5468
18	Drain Insert	1	5885
19	Drain Tube, 10', with Fitting	1	5692

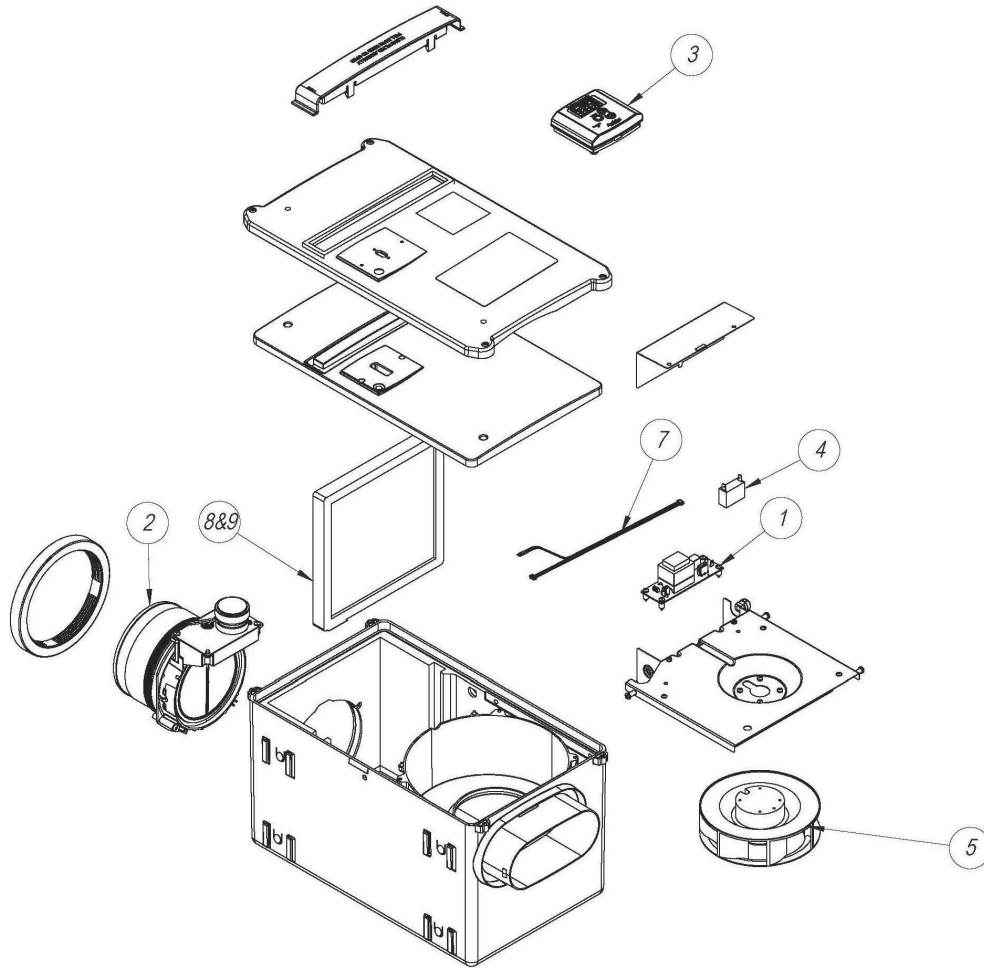
# Model 8100



90-2054

NO.	PART DESCRIPTION	SELL PACK *Must be ordered in multiples of*	PART NO.
1	Core	1	5151
2	Blower	1	5152
3	EZ Kleen Air Filters (2 Pack)	2	5153
4	Support Channel	1	5154
5	Access Door	1	5155
6	Mounting Hardware (incl. Bracket & Parts Bag)	1	5156
7	Power Cord	1	5157
8	Transformer with Harness	1	5598
9	Relay	1	5597
<b>OTHER PARTS</b>			
	Air Flow Measuring Device	1	5158
	Super Filter Coat Adhesive	1	412

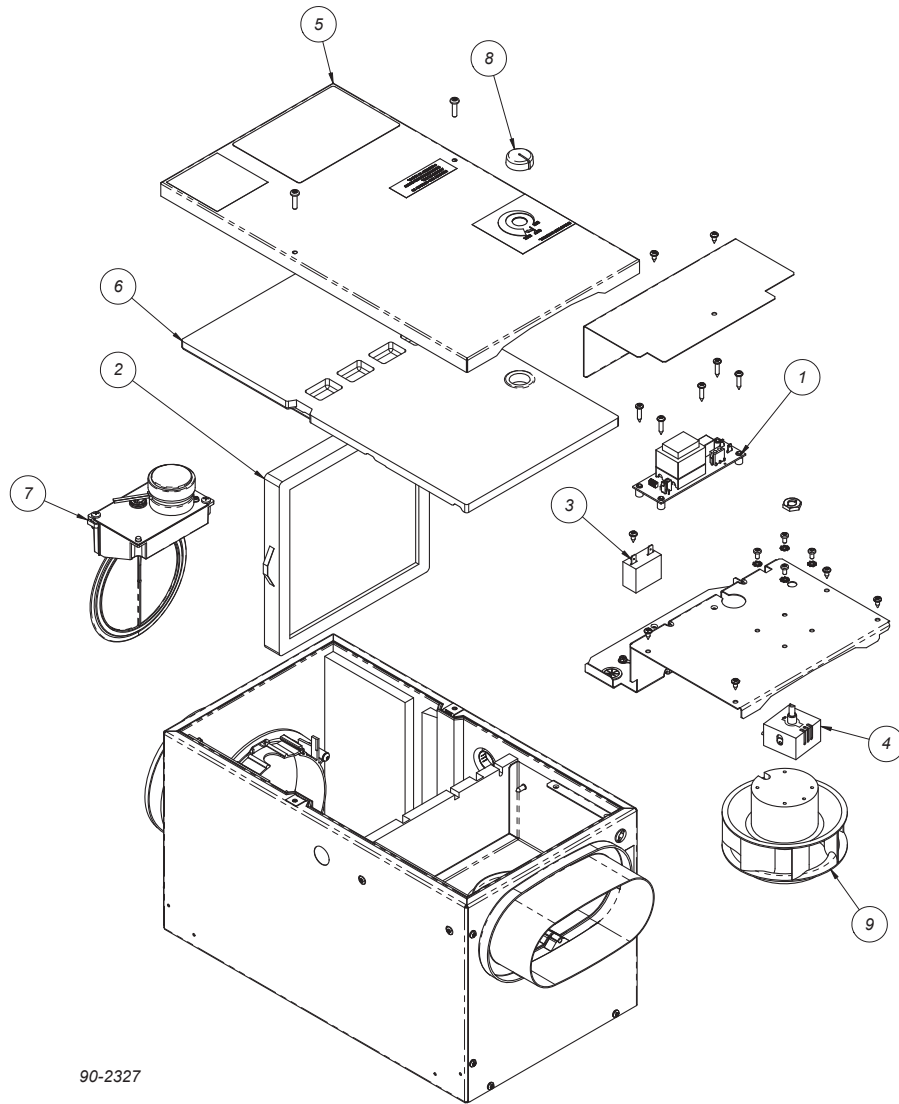
## Models 8145/8145NC



90-2513

NO.	PART DESCRIPTION	SELL PACK *Must be ordered in multiples of*	PART NO.
1	Power PCB Assy	1	5680
2	Damper, 6" Dia	1	5707
3	Control Ventilation	1	5780
4	Fan Run Capacitor	1	5834
7	Harness Control	1	5837
8	Filter	1	5838
9	Merv13 Filter	1	5839
<b>OTHER PARTS</b>			
	Fan Centrifugal	1	5835
	Harness Damper	1	5836

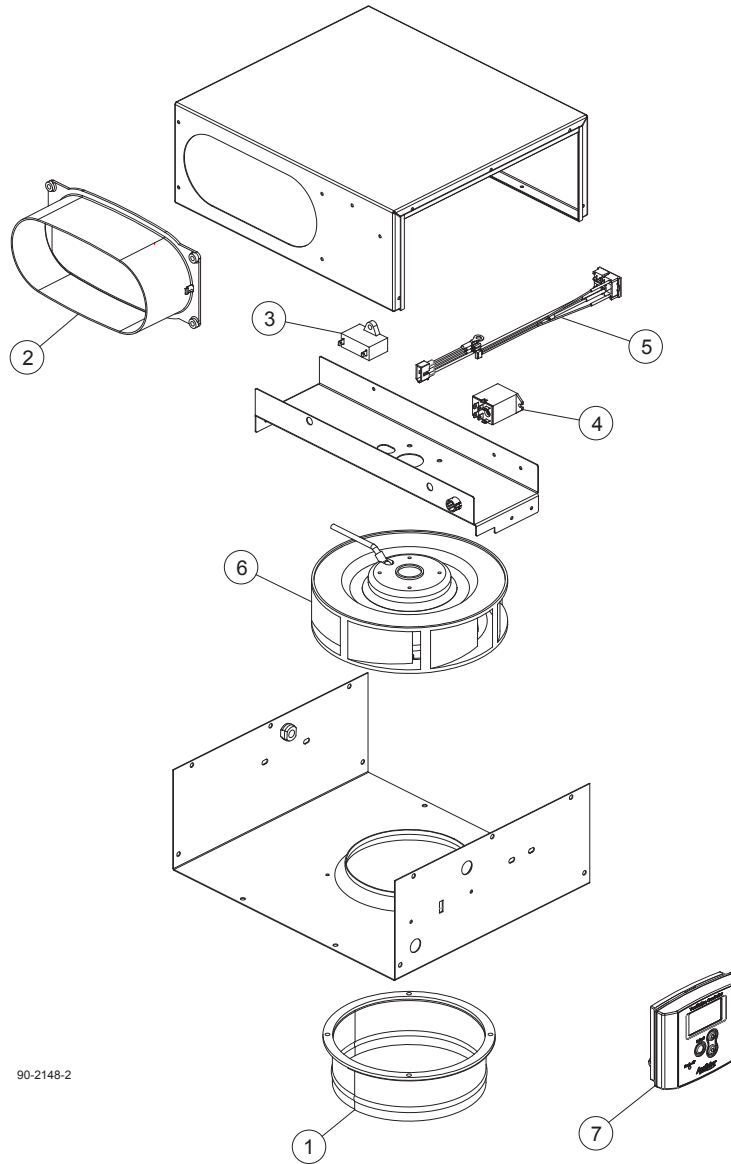
# Model 8144NC



90-2327

NO.	PART DESCRIPTION	SELL PACK *Must be ordered in multiples of*	PART NO.
1	Power PCB Assy	1	5680
2	Filter	1	5702
3	Capacitor, Fan	1	5703
4	Fan Control	1	5704
5	Access Panel	1	5705
6	Insulation Panel	1	5706
7	Damper, 6" Dia.	1	5707
8	Knob	1	5708
9	Fan	1	5709

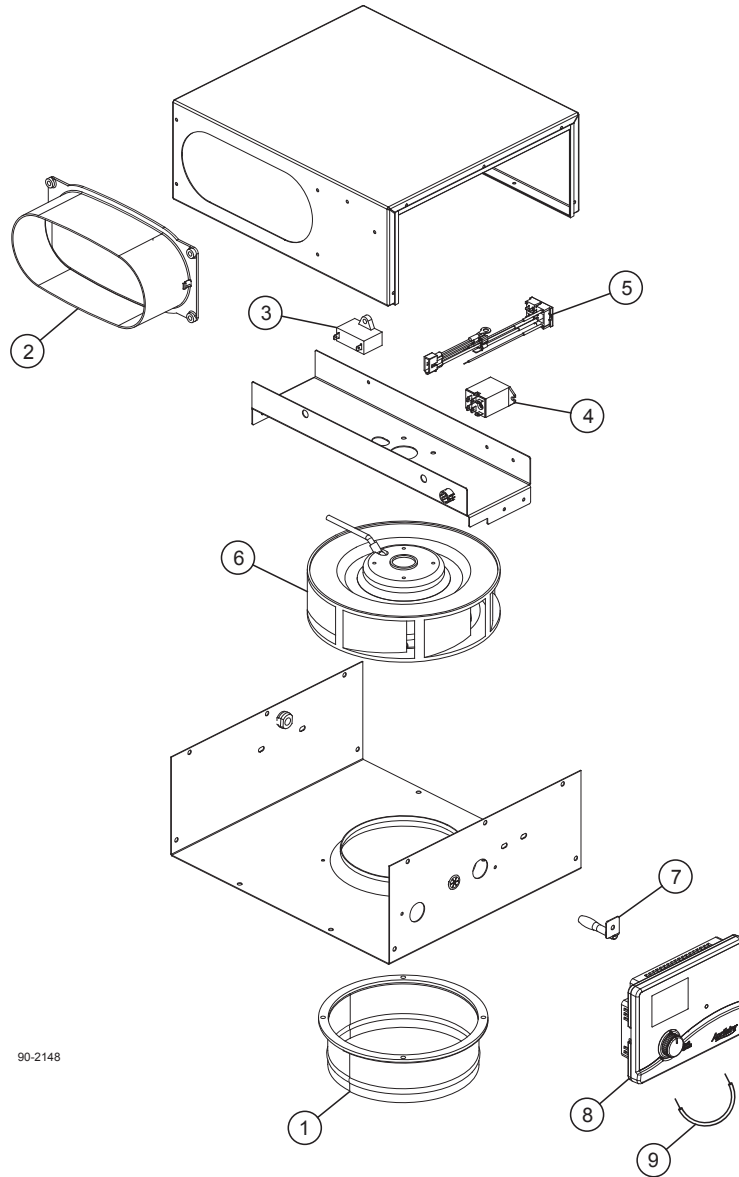
**Models 8142/8142NC  
(Release Date After November 2017)**



90-2148-2

<b>NO.</b>	<b>PART DESCRIPTION</b>	<b>SELL PACK *Must be ordered in multiples of*</b>	<b>PART NO.</b>
1	Collar, Round, 6", Flange, Steel	1	5652
2	Collar, Oblong + Backflow Damper	1	5578
3	Run Capacitor, 6Mfd	1	5579
4	Relay	1	4740
5	Wire Harness/ Relay Socket	1	5581
6	Blower, Centrifugal	1	5576
7	Control, Ventilation (8142 Only)	1	5780

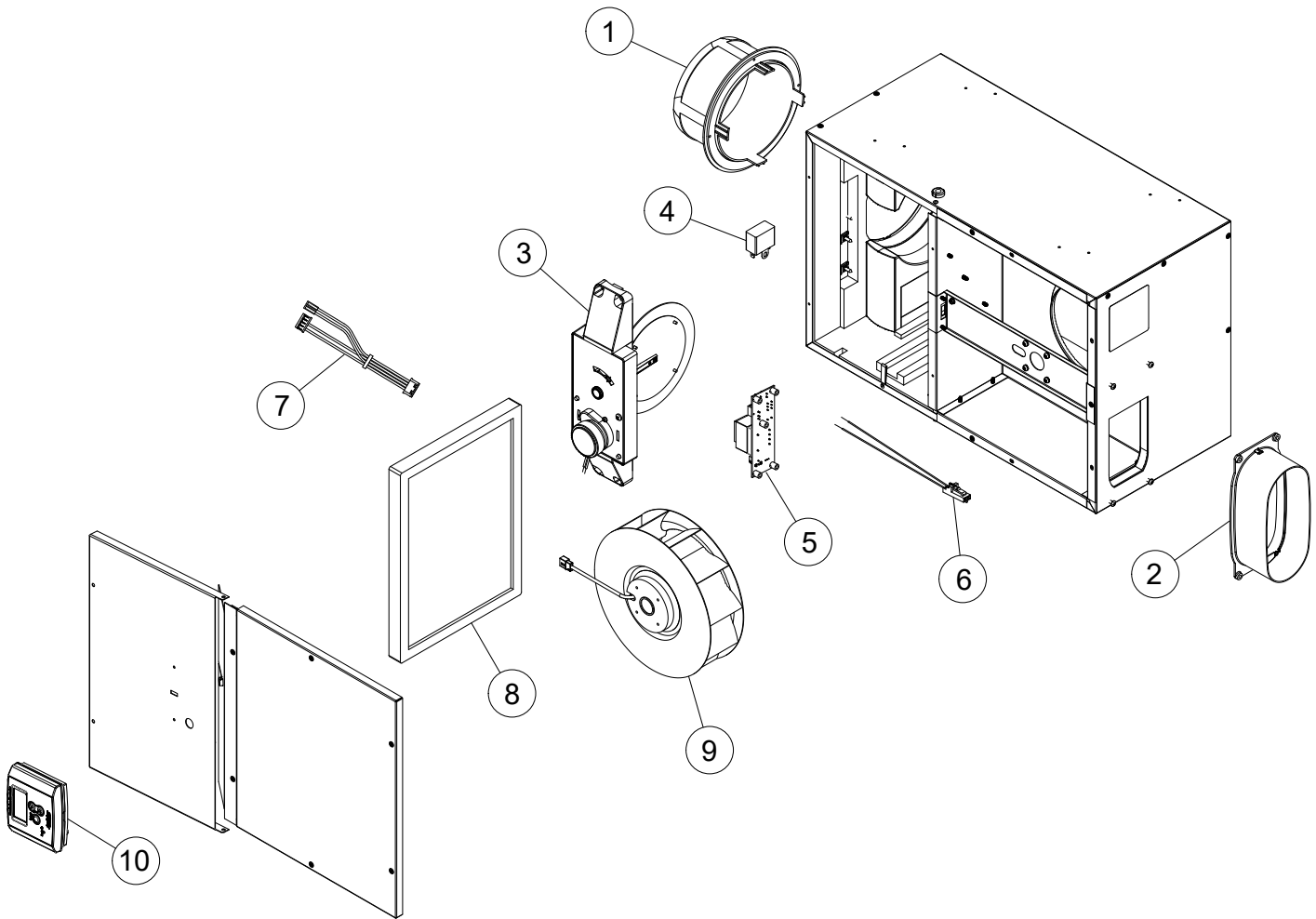
**Models 8142/8142NC  
(Release Date Before November 2017)**



90-2148

NO.	PART DESCRIPTION	SELL PACK *Must be ordered in multiples of*	PART NO.
1	Collar, Round, 6", Flange, Steel	1	5652
2	Collar, Oblong + Backflow Damper	1	5578
3	Run Capacitor, 6Mfd	1	5579
4	Relay	1	4740
5	Wire Harness/ Relay Socket	1	5581
6	Blower, Centrifugal	1	5576
7	Temperature Sensor	1	5580
8	Control, Ventilation (8142 Only)	1	5650
9	Jumper Wire, Control (8142 Only)	1	5656

**Models 8140<sup>1</sup>/8140NC<sup>1</sup>**  
**(Release Date After October 2017)**

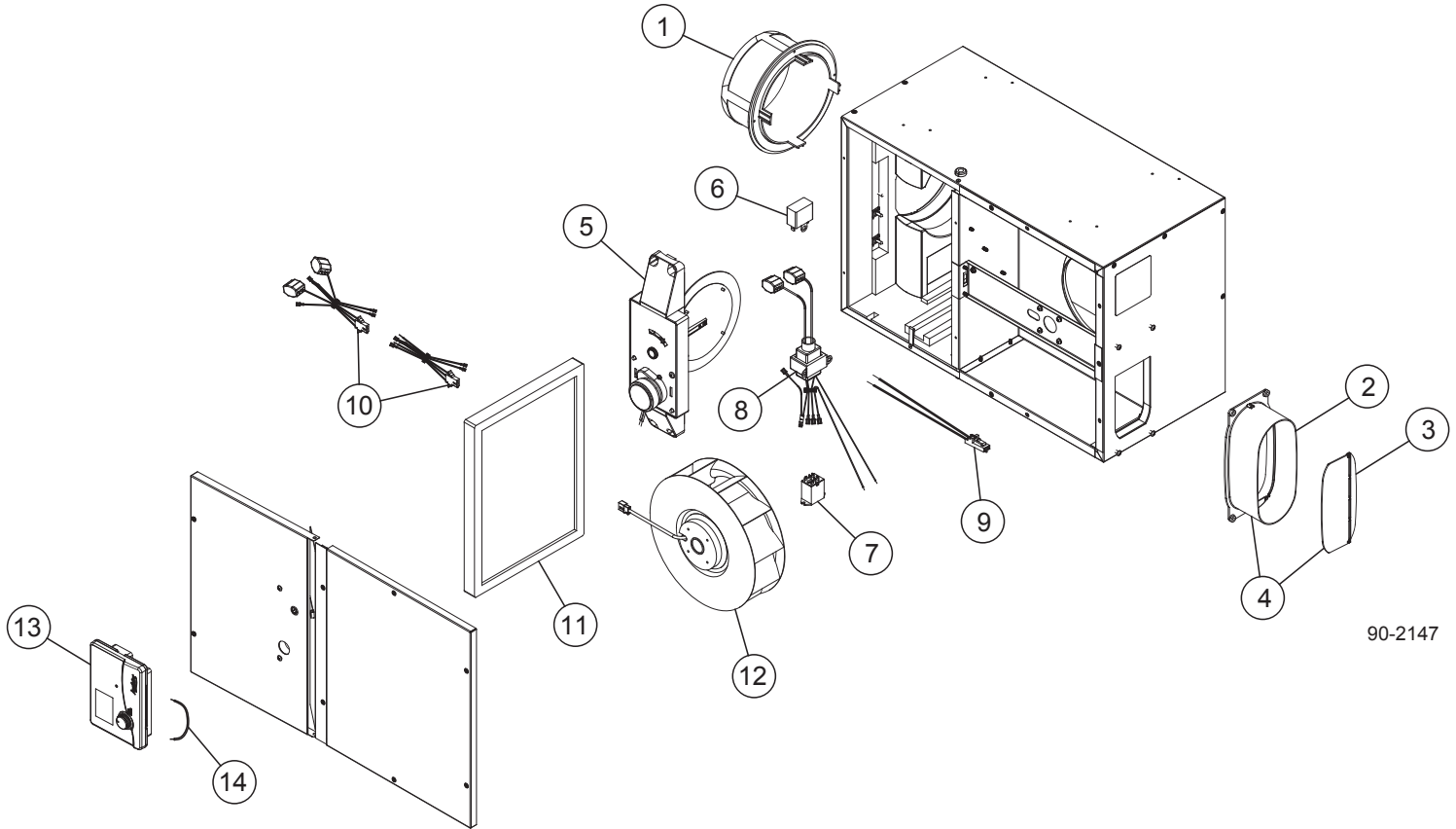


NO.	PART DESCRIPTION	SELL PACK *Must be ordered in multiples of*	PART NO.
1	Collar, 6", Plastic	1	5643
2	Collar, Oblong	1	5651
3	Damper, Assy, 6"	1	5644
4	Fan Run Capacitor, 12Mfd, 450VAC	1	5582
5	Power Board, FAV	1	5680
6	Harness, Damper	1	5820
7	Harness, Control (8140 Only)	1	5821
8	Filter	1	5648
9	Fan, FAV, w/ Power PCBA	1	5681
10	Control, Ventilation (8140 Only)	1	5780

<sup>1</sup> Full units no longer available, parts only.



**Models 8140<sup>1</sup>/8140NC<sup>1</sup>/8141**  
**(Release Date Before October 2017)**



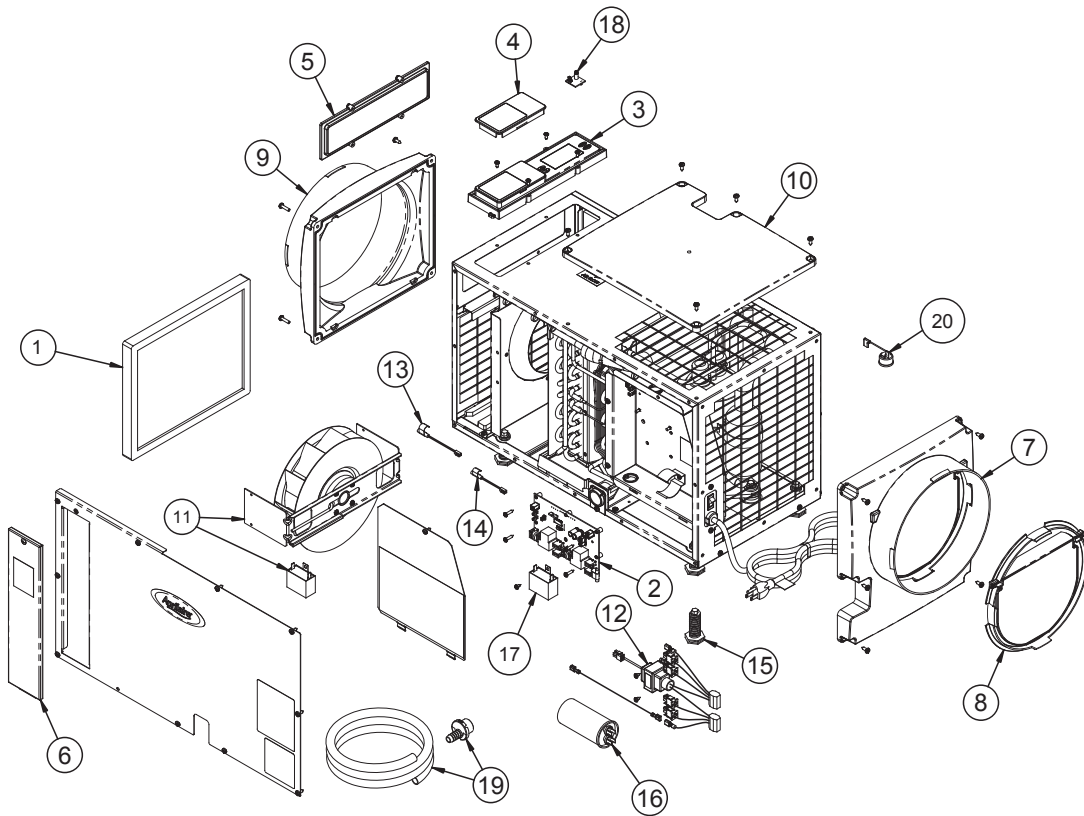
90-2147

NO.	PART DESCRIPTION	SELL PACK *Must be ordered in multiples of*	PART NO.
1	Collar, 6", Plastic	1	5643
2	Collar, Oblong (8140 & 8140NC)	1	5651
3	Backflow Damper Blade (8140 & 8140NC)	1	5577
4	Outlet Duct Collar + Backflow Damper Blade (8141)	1	5578
5	Damper, Assy, 6" (8140 & 8140NC)	1	5644
6	Fan Run Capacitor, 12Mfd, 450Vac	1	5582
7	Relay	1	4740
8	Transformer/Connector, Harness (8140 & 8140NC)	1	5645
9	Harness, Damper (8140 & 8140NC)	1	5646
10	Harness, Blower (8140 & 8140NC)	1	5647
	Harness, Blower (8141)	1	5657
11	Filter	1	5648
12	Fan, Centrifugal	1	5649
13	Control, Ventilation (8140 & 8141 Only)*	1	5650
14	Jumper Wire, Control (8140 & 8141 Only)	1	5656

\*Part No. 5650 has been updated and does not require Part No. 5656 any longer. Part No. 5656 can still be ordered for older versions of Part No. 5650.

<sup>1</sup> Full units no longer available, parts only.

## Models 81911/8192



NO.	PART DESCRIPTION	SELL PACK *Must be ordered in multiples of*	PART NO.
1	Filter, 10" x 12" x 1" EZ Kleen	1	5443
2	Internal Control Board	1	5444
3	User Interface Assembly	1	5564
4	Wiring Access Door	1	5446
5	UI Control Hole Cover	1	5447
6	Filter Access Door	1	5448
7	Outlet Duct Panel	1	5449
8	10" Backflow Damper	1	5450
9	Inlet Duct Panel	1	5451
10	Outlet Cover	1	5452
11	Fan used on Model 8191	1	5453
	Fan used on Model 8192	1	5467
12	Wire Harness, Power	1	5454
13	Low Temperature Sensor	1	5455
14	High Temperature Sensor	1	5456
15	Leveling Foot	1	5457
16	Compressor Run Capacitor, 45MFD, 370VAC	1	5458
	Fan Run Capacitor, 8MFD, 450VAC, used on Model 8191 with Serial Number before 112015A09596	1	5459
17	Fan Run Capacitor, 8MFD, 250VAC, used on Model 8191 with Serial Number 112015A09596 or later	1	5582
	Fan Run Capacitor, 12MFD, 250VAC, used on Model 8192	1	5468
18	RH Sensor used on models with detachable Temp/RH daughter board	1	5460
19	Drain Tube + Fittings	1	5585
20	Compressor Overload Switch, 70pt for Model 8191	1	5547
	Compressor Overload Switch, 95pt for Model 8192	1	5548

<sup>1</sup> Full units no longer available, parts only.

# AprilAire®

PO Box 1467 • Madison, WI 53701-1467 • Phone: 800.334.6011 • Fax: 608.257.4357 • www.AprilairePartners.com