



Fresh Air Solutions

Whole-Home Ventilation



Healthy Fresh Air in every home.



AprilAire

We are professional-grade Healthy Air solutions. AprilAire is on a mission to enhance people's health by improving the air in their homes. Healthy Air is essential to living a healthy lifestyle and improving our overall well-being. We are inspired by the needs of consumers and the expertise of professional contractors to create, design, and build innovative solutions.

AprilAire is Healthy Air.



5-year warranty on all installed products



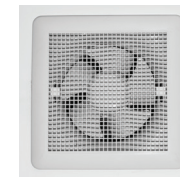
Designed & Assembled in the USA

utilizing U.S. and Global Components

Every Home Needs Fresh Air.

Homes don't need to breathe, but people do. When a home has proper fresh air ventilation, everyone and everything inside benefits. AprilAire can help. We have a comprehensive lineup of whole-home, fresh air ventilation solutions for every geographic climate zone and application. Our solutions feature patented control logic and energy efficiencies that help make us the right partner for code compliance so you can help your customers, and their homes, breathe better.

HEALTH	COMFORT AND PRESERVATION
<ul style="list-style-type: none"> + Avoid a dangerous build-up of airborne viruses and other contaminants with controlled, energy efficient fresh air ventilation. + "The U.S. Environmental Protection Agency (EPA) studies of human exposure to air pollutants indicate that indoor levels of pollutants may be two to five times—and occasionally more than 100 times—higher than outdoor levels." 	<ul style="list-style-type: none"> + Whole-home ventilation introduces fresh air into the home to combat these pollutants and prevent stale odors and stagnant air from impacting the living space of the home. + A ventilation system works in conjunction with other indoor air quality solutions to minimize damage.
ENERGY EFFICIENCY	BUILDING AND ENERGY CODES
<ul style="list-style-type: none"> + Many successful builders use energy-efficient construction materials to differentiate their businesses. These tighter-built homes increase the need for fresh air delivery to the living space. + AprilAire's ventilation controller allows for high and low temperature and relative humidity lockouts. Superior control and operation allow our fresh air ventilators to deliver fresh air efficiently and reliably. + Ventilation solutions include models recognized as ENERGY STAR® Most Efficient for 2022. 	<ul style="list-style-type: none"> + ASHRAE 62.2 + Energy Star for Homes + EPA Indoor airPLUS + International Residential Code (IRC) + International Residential Code (IRC) + International Energy Conservation Code (IECC) + California Energy Commission Title 24

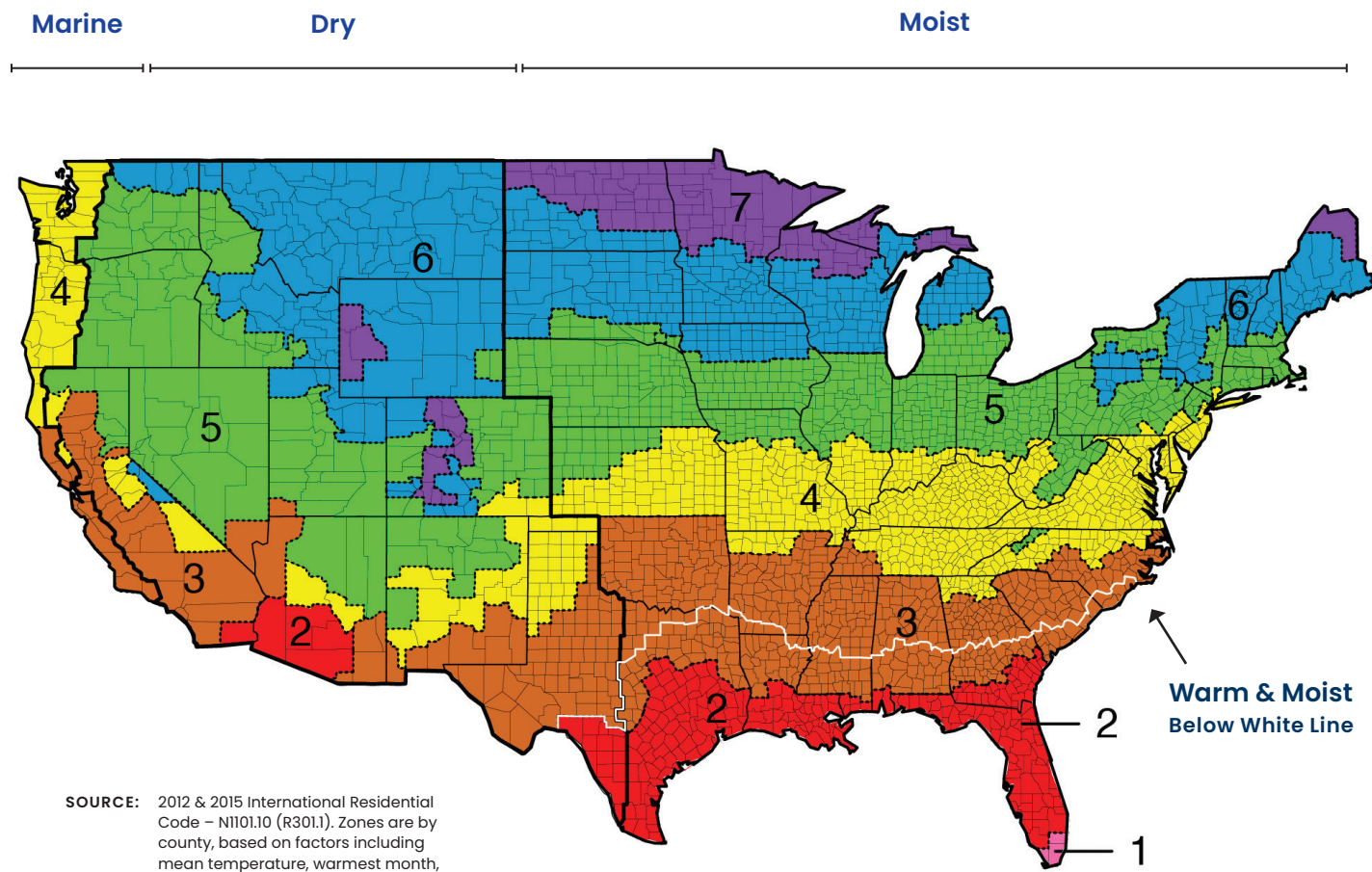


More to fresh air than just a bath fan.

Exhaust ventilation such as bath fans and range hoods work for spot control of pollution. Supply solutions are designed to deliver Healthy Air to the entire home and are the best choice for whole-house ventilation.

Ventilation Climate Zones

Climate has a major influence on the quality of ventilated air brought into the home. Because there are several climate zones in the US and requirements change significantly based on climate, AprilAire has developed products made specifically to best perform in those various conditions. AprilAire ventilation solutions work with HVAC equipment to remove moisture, harmful particulates, and other contaminants such as VOCs. Relying on exhaust ventilation which just pulls air through walls is not enough. That's why it's so important to use intelligent ventilation controls and application guidance to properly ventilate



SOURCE: 2012 & 2015 International Residential Code – N1101.10 (R301.1). Zones are by county, based on factors including mean temperature, warmest month, precipitation and wet bulb temperature.

Different Climates. Different Solutions.

This map and the adjoining application guide will help you determine the recommended product solution for your climate. These recommendations are based on moisture removal demands, energy savings, and integration with the HVAC equipment.

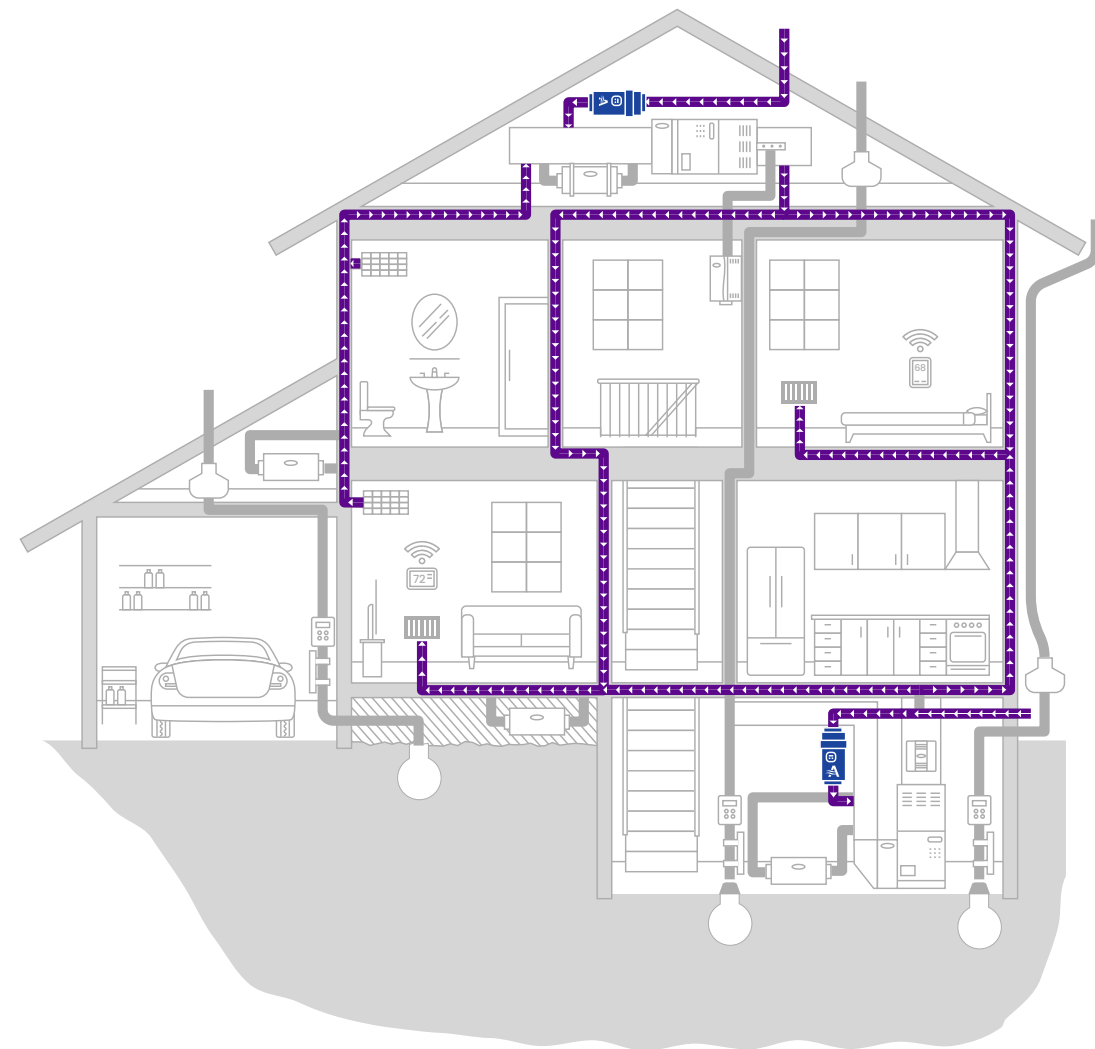
ZONE	CLIMATE TYPE	MAJOR CITIES	PRIMARY SOLUTION ¹	FRESH AIR DUCTED ²	ECONOMY- OR COMFORT- FOCUSED SOLUTION	MULTI-FAMILY NEW CONSTRUCTION SOLUTION
1	Hot & Moist	Miami	E100V + 8190FF or 8192A Dehumidifies incoming ventilation air	HVAC Return	8145A or 8126A	8144NC
2	Hot & Moist	Orlando, Mobile, New Orleans, Houston, Austin, San Antonio	E100V + 8190FF or 8192A Dehumidifies incoming ventilation air	HVAC Return	8145A or 8126A	8144NC
2	Hot & Dry	Phoenix, Tucson	8142A Mixes ventilation air after cooling or heating	HVAC Supply	8126A	8144NC
3	Warm & Moist	Charlotte, Charleston, Atlanta, Little Rock, Oklahoma City, DFW	E100V + 8190FF or 8192A Dehumidifies incoming ventilation air	HVAC Return	8145A or 8126A	8144NC
3	Warm & Dry	El Paso, Las Vegas, Los Angeles, Sacramento	8142A Mixes ventilation air after cooling or heating	HVAC Supply	8126A	8144NC
3	Warm & Marine	San Francisco, San Jose	8142A Mixes ventilation air after cooling or heating	HVAC Supply	8145A or 8126A	8144NC
4	Mixed & Moist	Philadelphia, Washington DC, Baltimore, Nashville, St. Louis, Wichita, Louisville	8145A Mixes ventilation air prior to cooling or heating	HVAC Return	E100V + 8190FF, 8192A or 8126A	8144NC
4	Mixed & Dry	Albuquerque, Amarillo	8142A Mixes ventilation air after cooling or heating	HVAC Supply	8145A or 8126A	8144NC
4	Mixed & Marine	Portland, Seattle	8142A Mixes ventilation air after cooling or heating	HVAC Supply	8145A or 8126A	8144NC
5	Cool & Moist	Boston, Pittsburgh, Columbus, Indianapolis, Detroit, Chicago, Des Moines, Omaha	8145A Mixes ventilation air prior to cooling or heating	HVAC Return	8126A	8144NC
5	Cool & Dry	Denver, Salt Lake City, Boise, Reno	8145A Mixes ventilation air prior to cooling or heating	HVAC Supply or Return	8142A or 8126A	8144NC
6	Cold & Moist	Toronto, Vancouver, Milwaukee, Madison, Minneapolis-St Paul, Sioux Falls	8145A Mixes ventilation air prior to cooling or heating	HVAC Return	8126A	8144NC
6	Cold & Dry	Helena, Cheyenne	8145A Mixes ventilation air prior to cooling or heating	HVAC Return	8126A	8144NC
7	Extreme Cold & Moist	Fargo, Duluth, Calgary, Edmonton	8145A Mixes ventilation air prior to cooling or heating	HVAC Return	8126A	8144NC

¹ Primary AprilAire recommended supply ventilation solution for optimal performance and building code adherence.

² HVAC application considerations based upon moist versus dry air, and proper mixing into the ductwork.

Fresh Air Ventilation for All Applications

Homes with any type of HVAC system can easily be equipped with AprilAire fresh air ventilators.



Multiple Installation Applications, Including:

- Basement
- Attic
- Crawl Space
- Closet
- Garage

Fresh Air Delivered Through the HVAC System

When ventilation is a part of a home's HVAC system, the required amount of fresh air is delivered to the home at the lowest cost to the consumer. Below are some of the many advantages that whole-home ventilation provides over single-point ventilation.

- Whole-Home Coverage
- Controlled Air Source
- Air Pre-Conditioned
- Positive Pressure

Ventilating Dehumidifier

Models E100V and 8190FF | Specification Sheet

SPECIFICATIONS	
Nominal ventilation airflow (CFM)	150 CFM
Capacity ⁽¹⁾ pints/day	100 ppd
Energy factor ⁽¹⁾	2.6 L/kW-h (5.5 pints/kW-h)
Airflow @ varying E.S.P. (external static pressure - dry coil)	0.0" w.c. 280 CFM 0.2" w.c. 245 CFM 0.4" w.c. 210 CFM
Voltage, phase, frequency	120 VAC, 1 phase, 60 Hz
Current draw ⁽¹⁾	6.9 Amps
Noise-Fan Only	52.8 dBA (ducted)
Noise-Compressor and Fan	55.0 dBA (ducted)
Dimensions: (combined cabinets) ⁽²⁾	Width: 14 1/2" Height: 23 1/2" w/o adjustable feet Length: 48 1/4"
Weight	
-E100V Unit Weight:	64 lbs.
-E100V Shipping Weight:	82 lbs.
-8190FF Unit Weight:	13.7 lbs.
-8190FF Shipping Weight:	16.8 lbs.
Inlet air operating conditions during	
-Dehumidification:	50°F-104°F, 40°F dew point min.
-Ventilation:	40°F-140°F, 0%-99% RH

⁽¹⁾Rated capacity, energy factor and current draw measured at 80°F/60% RH inlet air at 0.0 ESP.
⁽²⁾Height does not include adjustable feet. Length includes the duct collars, and width includes the filter doors.

FEATURES	
Control	Built-in digital control with display
Cabinet insulation	1/2" EPS
Air discharge orientation	Top
Inlet/Outlet duct collars	10" round
Backflow damper at outlet	Included
Air filter	Washable MERV 8
Refrigeration	R-410A
Coil type	Corrosion-resistant aluminum
8' Power cord type	Plug type
Drain connection ⁽³⁾	3/4" PVC adapters
Warranty	5 Years

⁽³⁾Threaded adapter and barbed fitting for clear drain tubing included.



MODELS

- + Model E100V - Dehumidifier (requires 8190FF)
- + Model 8190FF - Ventilation Plenum for AprilAire Dehumidifier

FEATURES

- + E100V Dehumidifier is wired specifically for use with the 8190FF Ventilation Plenum
- + Patent-pending ventilation design
- + Removes moisture from outdoor air before it enters the living space
- + Unit is designed, when properly installed, to achieve ASHRAE Standard 62.2
- + Integral moisture and ventilation control
- + High and low temperature limit lock-outs
- + Simple plug-in installation
- + Installation temperature range up to 140°F
- + Optional dehumidification control via thermostats

RECOMMENDED CONTROLS

- + AprilAire Thermostat Models
8620 8620W 8910 8910W
8920W S86NMUPR S86WMUPR
- + AprilAire Communicating Thermostat Model 8840

BENEFITS

- + Helps control RH in the home during periods when the air conditioning system does not run long enough to remove sufficient moisture. If air conditioner can satisfy RH requirements, the AprilAire unit's compressor shuts off
- + Optimize energy savings by locking out ventilation during hottest/coldest times of the day
- + Improves indoor air quality
- + Installation labor reduced, requires only a power outlet and 24 volt wiring to HVAC system

When properly installed and set, the AprilAire Ventilating Dehumidifier will meet the mechanical ventilation requirements of:

- + ASHRAE 62.2
- + Energy Star Certified Homes
- + EPA Indoor airPLUS
- + International Residential Code (IRC)

Fresh Air Ventilation with Dehumidification

Model 8192A | Specification Sheet

SPECIFICATIONS	
Nominal ventilation air-flow (CFM)	200 CFM
Capacity ⁽¹⁾ pints/day	100 ppd
Energy factor ⁽¹⁾	2.6 L/kWh
Energy star qualified	No
Airflow @ varying E.S.P. (external static pressure - dry coil)	0.0" w.c. 280 CFM 0.2" w.c. 245 CFM 0.4" w.c. 210 CFM
Voltage, phase, frequency	120 VAC, 1, 60 Hz
Current draw ⁽¹⁾	6.9 Amps
Noise-Fan Only	52.8 dBA (ducted)
Noise-Compressor and Fan	55.0 dBA (ducted)
Dimensions:	Width: 14" Height: 15" Length: 26"
Unit Weight	64 lbs.
Shipping Weight	82 lbs.
Inlet air operating conditions during	
-Dehumidification:	50°F-104°F, 40°F dew point min.
-Ventilation:	40°F-140°F, 0%-99% RH

⁽¹⁾Rated capacity, energy factor and current draw measured at 80°F/60% RH inlet air at 0.0 ESP.

FEATURES	
Control	Built-in digital control with display
Control mounting option	Field interchangeable from top to front
Cabinet insulation	½" EPS
Air discharge orientation	Top or end air discharge
Inlet/Outlet duct collars	10" round
Back damper at outlet	Included
Air filter	Washable MERV 8
Refrigeration	R-410A
Coil type	Corrosion-resistant aluminum
8' Power cord type	Plug type
Drain connection ⁽³⁾	¾" PVC
Warranty	5 Years

⁽³⁾Threaded adapter and barbed fitting for ¾" clear drain tubing included.



FEATURES

- + Removes moisture from outdoor air before it enters the living space
- + Unit is designed, when properly installed, to achieve ASHRAE Standard 62.2
- + Integral moisture and ventilation control
- + Optional ventilation control via thermostat (see below)
- + High and Low Temperature Limit Lock-outs
- + Simple plug-in installation
- + Installation temperature range up to 140°F

RECOMMENDED CONTROLS

- + AprilAire Thermostat Models
8620 8620W 8910 8910W
8920W S86NMUPR S86WMUPR
- + AprilAire Communicating Thermostat Model 8840

+ BENEFITS

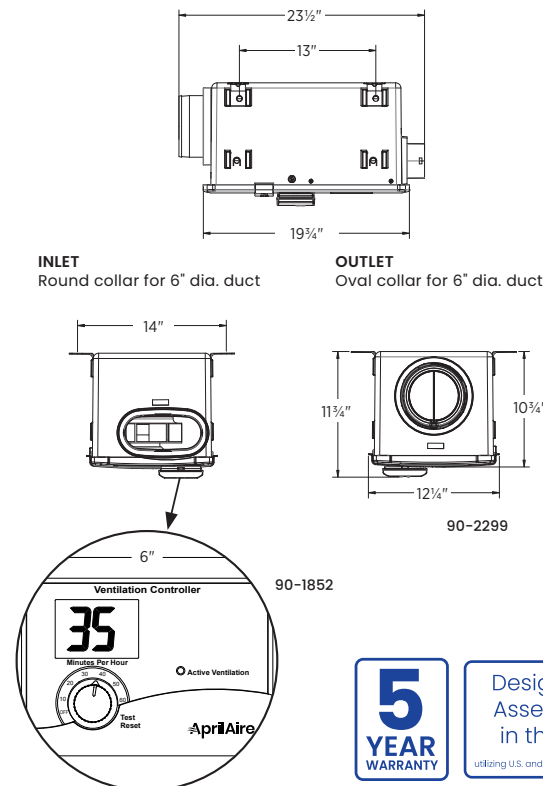
- + Helps control RH in the home during periods when the air conditioning system does not run long enough to remove sufficient moisture. If air conditioner can satisfy RH requirements, the AprilAire unit's compressor shuts off
- + Optimize energy savings by locking out ventilation during hottest/coldest times of the day
- + Improves indoor air quality
- + Installation labor reduced, requires only a power outlet and 24 volt wiring to HVAC system

When properly installed and set, the AprilAire Model 8192A ventilator with dehumidification will meet the mechanical ventilation requirements of:

- + ASHRAE 62.2
- + Energy Star Certified Homes
- + EPA Indoor airPLUS
- + International Residential Code (IRC)

Fresh Air Ventilator

SPECIFICATIONS	
Overall Dimensions	12 1/4" W x 11 3/4" H x 23 2/5" L
Weight	15 lbs
Inlet Collar	6" Round
Outlet Collar	6" Oval
Ventilation Setting	Off, 6-60 min/hr Code/Comfort Operation
Ambient Temperature	0°F - 140°F
Outdoor Temperature Limits	Low: 0°F - 40°F (8145KA) High: 90°F - 100°F (8145KA) High: 95°F - 105°F (8145A)
Indoor RH Limits	RH Limit: 55% > 50°F (8145KA only)
Voltage, phase, frequency	115 VAC, 1, 60 Hz
Power	Includes 6' power cord
Ducting	6" dia. flexible insulated duct
Warranty	5 Years
ETL	Tested to UL Standard 705 Not for outdoor use



With Powered Damper & Filter

Model 8145A, 8145NC, 8145K, 8145KA | Specification Sheet



8145KA comes with 8145NC, 8120A, 6" inlet hood and 6" start collar

FEATURES

- + Control is integrated into the Model 8145A ventilator and hardwired to the HVAC system. The Model 8145NC has no integrated control, so the ventilator can be hardwired to a thermostat with IAQ features and controlled within the living space.
- + High and low outdoor temperature limit lock-outs while maintaining ASHRAE Standard 62.2 (8145NC w/ 8120A or 8145KA only)
- + Patented logic adjusts on-time and cycle time to meet ventilation requirements within set temperature and ranges (Model 8145A only)*
- + Integrated powered damper and removable, washable MERV 6 filter. Replacement MERV 13 filter available.

BENEFITS

- + Reduces the amount of viruses and contaminants in indoor air by bringing in fresh outdoor air
- + Lightweight design, snap-on mounting brackets make install quick and easy
- + Durable construction withstands jobsite abuse
- + Delivers the precise amount of outside air needed in today's efficiently designed homes
- + Model 8145A optimizes energy savings by locking out ventilation during hottest/coldest times of the day
- + Robust design handles hot attics up to 140°F
- + Installation labor reduced, requires only a switched outlet and 24 volt wiring to HVAC system
- + Furnace or air handler does not require an ECM motor to meet efficacy requirement

When properly installed and set, the AprilAire Model 8145A will meet the mechanical ventilation requirements of:**

- + ASHRAE 62.2
- + Energy Star for Homes
- + EPA Indoor airPLUS
- + International Residential Code (IRC)
- + International Energy Conservation Code (IECC)
- + California Energy Commission Title 24

*Pat. No. 9,874,366. Applies to all controls listed below.
**8145NC compliance is subject to the functionality of the external control. To assure compliance, use an 8910, 8910W, 8920W, 8620 or 8620W thermostat or 8120A ventilation controller.

Fresh Air Ventilator

For Multi-Family Applications
Model 8144NC | Specification Sheet

SPECIFICATIONS	
Overall dimensions	10 1/4" W x 19 1/8" H x 10 1/4" D
Inlet collar	6" Round
Outlet collar	6" Oval
Ambient temperature	0°F-160°F
Voltage, phase, frequency	115 VAC, 1, 60 Hz
Power	Hardwired
Ducting	6" diameter flexible insulated duct
Warranty	5 Years
ETL	Tested to UL Standard 705 Power ventilators not for outdoor use



FEATURES

- + Designed for use in continuous airflow applications up to 130 CFM
- + Unit is designed, when properly installed, to achieve ASHRAE Standard 62.2
- + Complies with IECC
- + Integrated powered damper
- + Removable, washable filter

BENEFITS

- + The precise amount of outside air is delivered to the dwelling
- + Improves indoor air quality
- + Robust design handles hot attics up to 160°F
- + Installation labor reduced versus installing components separately
- + Furnace or air handler does not require an ECM motor to meet efficacy requirement

When properly installed and set, the AprilAire Model 8144NC Fresh Air Ventilator will meet the mechanical ventilation requirements of:

- + ASHRAE 62.2
- + Energy Star for Homes
- + International Residential Code (IRC)
- + International Energy Conservation Code (IECC)
- + California Energy Commission Title 24



Fresh Air Ventilators

With Backdraft Damper, No Filter
Model 8142A, 8142NC | Specification Sheet

SPECIFICATIONS	
Overall dimensions	13 1/5" W x 6 7/10" H x 13 1/5" L with control 13 1/5" W x 6 7/10" H x 11 9/10" L without control
Inlet collar	6" Round
Outlet collar	6" Oval
Ventilation setting	Off, 6-60 min/hr Code/Comfort Operation
Ambient temperature	0°F-140°F
Outdoor temperature limits	Low: 20°F-40°F High: 95°F-105°F
Voltage, phase, frequency	115 VAC, 1, 60 Hz
Power	Includes 5' power cord
Ducting	6" dia. flexible insulated duct
Warranty	5 Years
ETL	Tested to UL Standard 705 Not for outdoor use



FEATURES

- + Control is integrated into the Model 8142A Ventilator. The Model 8142NC has no integrated control so the ventilator can be hardwired to the HVAC system and controlled from within the living space.
- + High and low outdoor temperature limit lock-outs while maintaining ASHRAE Standard 62.2 (8142NC w/8120A control only)
- + Patented logic adjusts on-time and cycle time to meet ventilation requirements within set temp and RH ranges (Model 8142A only)*
- + Simple plug-in installation

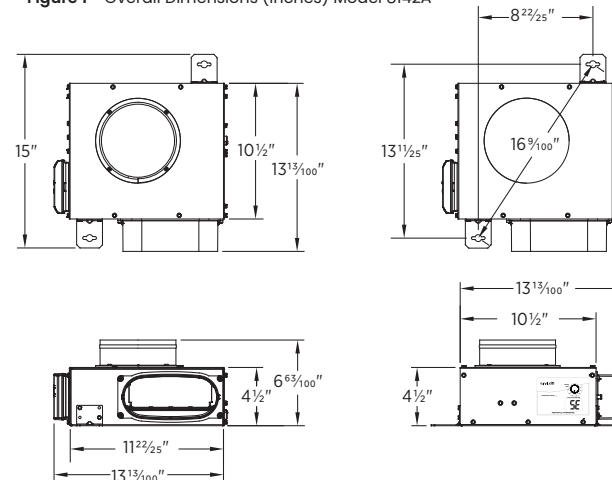
BENEFITS

- + Delivers the precise amount of outside air needed in today's efficiently designed homes
- + Model 8142A optimizes energy savings by locking out ventilation during hottest/coldest times of the day
- + Improves indoor air quality
- + Robust design handles hot attics up to 140°F
- + Installation labor reduced, requires only a switched outlet and 24-volt wiring to HVAC system
- + Furnace or air handler does not require an ECM motor to meet efficacy requirement

When properly installed and set, the AprilAire Model 8142A will meet the mechanical ventilation requirements of:**

- + ASHRAE 62.2
- + Energy Star for Homes
- + EPA Indoor airPLUS
- + International Residential Code (IRC)
- + International Energy Conservation Code (IECC)
- + California Energy Commission Title 24

Figure 1 - Overall Dimensions (inches) Model 8142A



90-2294

Figure 2 - Overall Dimensions (inches) Model 8142NC

*Pat. No. 9,874,366. Applies to all controls listed below.
**8142NC compliance is subject to the functionality of the external control. To assure compliance, use an 8910, 8910W, 8920W, 8620 or 8620W thermostat or 8120A ventilation controller.

Ventilation Controller

Model 8120A | Specification Sheet

SPECIFICATIONS	
Overall controller dimensions	6" W x 4 1/4" H x 1 3/4" D
Duct opening dimensions (for humidity sensor)	3/4" diameter hole
Input power for the control (from the HVAC system transformer)	24 VAC, 1.0 VA
Damper output (Vent and GH)	10VA @ 30 VAC max
Input voltage	18-30 VAC
HVAC equipment terminals	R, C, W, Y, ODT, GS, GH
Equipment compatibility	Furnace and AC or Heat Pump
Outdoor temperature sensor inputs	Thermistor (provided)
Compliance	ASHRAE 62.2
Installation temp limits	20°F-140°F

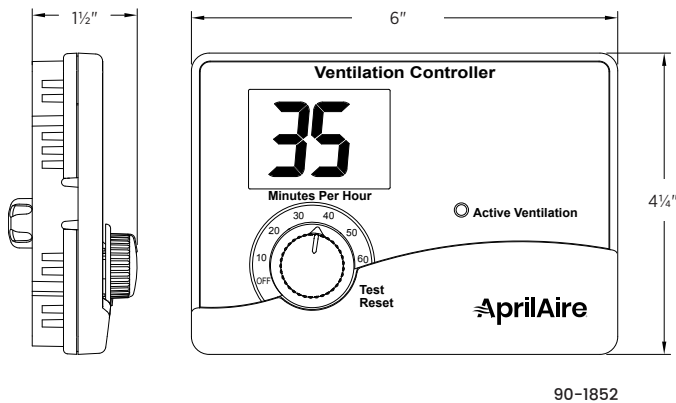


FEATURES

- + Easy-to-read LCD screen
- + Simple rotary dial to set ventilation time
- + 24-volt control
- + Measures outdoor temperature to stop ventilation at adjustable high and low outdoor temperature lockouts
- + Measures indoor relative humidity (RH) and can be set to lockout ventilation when RH is above 55%
- + Meets ASHRAE 62.2

BENEFITS

- + Designed to meet ventilation requirements. Conforms to latest building and energy codes.
- + Easy to install and set up, saving you time and money
- + Increased customer comfort and energy savings over other economical ventilation options
- + Flexible setup allows you to meet every application



90-1852



*Pat. No. 9,874,366.

Ventilation System

Model 8126A | Specification Sheet

SPECIFICATIONS	
Overall controller dimensions	6" W x 4 1/4" H x 1 3/4" D
Duct opening dimensions (for humidity sensor)	3/4" diameter hole
Input power for the control (from the HVAC system transformer)	24 VAC, 1.0 VA
Damper output (Vent and GH)	10VA @ 30 VAC max
Input voltage	18-30 VAC
HVAC equipment terminals	R, C, W, Y, ODT, GS, GH
Equipment compatibility	Furnace and AC or Heat Pump
Outdoor temperature sensor inputs	Thermistor (provided)
Compliance	ASHRAE 62.2
Installation temp limits	20°F-140°F

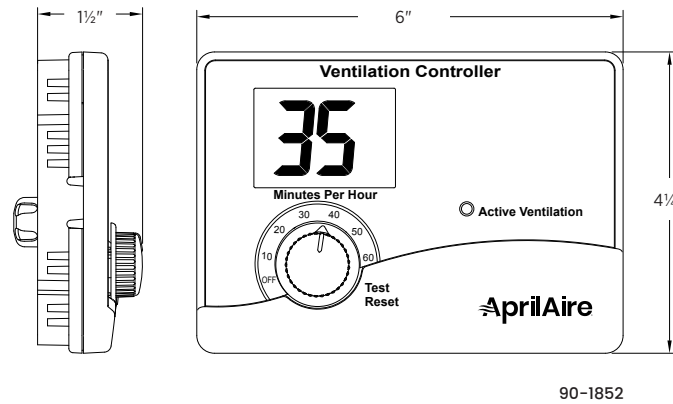


FEATURES

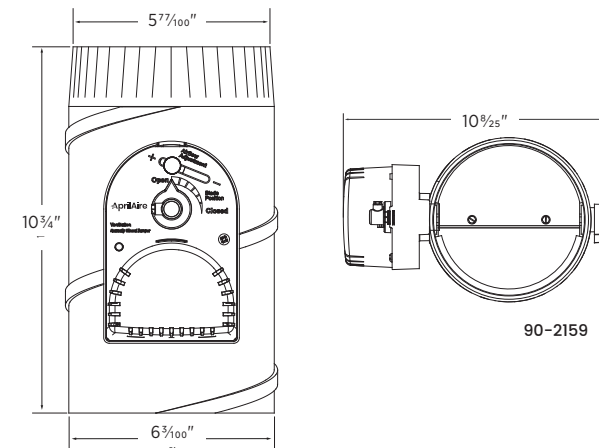
- + Separate ventilation time adjustment
- + Minimum off times between cooling call and unsolicited blower call (UBC)
- + 24-Volt control
- + Measures outdoor temperature to stop ventilation at extremely hot or cold outdoor temperatures
- + Measures indoor relative humidity (RH) and can be set to lockout ventilation when RH is above 55%
- + Installation flexibility – ability to override humidity and temperature control

BENEFITS

- + The controller is designed to meet the ASHRAE standard 62.2 for ventilation.
- + Allows fan to cycle, increasing air cleaner and humidifier run times
- + Allows coil to drain before running fan to prevent moisture from being added back into the home
- + Easy to install, saving you time and money
- + Increased customer comfort and energy savings over other economical ventilation options



90-1852



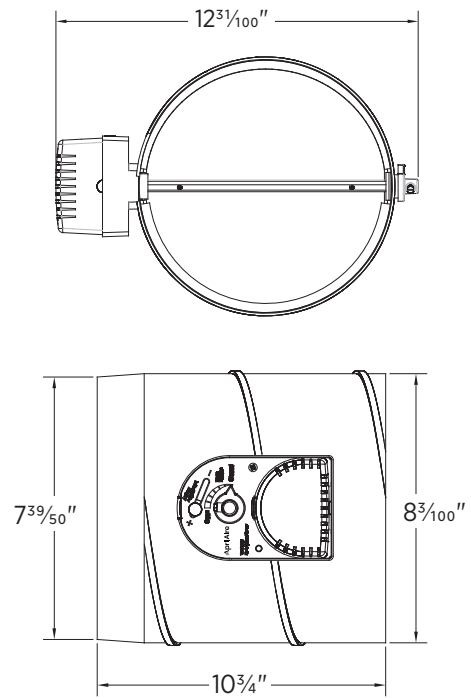
90-2159



*Pat. No. 9,874,366.

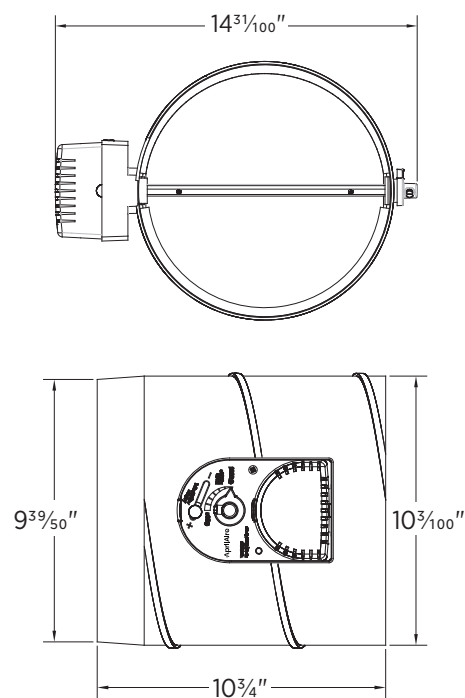
DIMENSIONS

KV08 – 8" Round



90-2358

KV10 – 10" Round



90-2358



The AprilAire KV08 and KV10 Kitchen Ventilation Kits are designed to locally provide make-up air to areas when high-CFM range hoods are in use to prevent home depressurization and its consequences. When the range hood's fan is operating, a normally closed damper – 8" or 10" round – is powered open to allow make-up air to be drawn into the home. When the hood's fan is off, the damper is closed, preventing air from entering the home. The vent kit can also be tied into a HVAC system.

INCLUDES

- + Normally Closed/Power Open Damper
 - KV08 – 8" round
 - KV10 – 10" round
- + 24 VAC, 10VA transformer
- + Pressure Sensing Switch with Probe and Mounting Hardware

FEATURES

- + 2-wire connection on damper (see wiring diagram on back)
- + Pressure switch monitors active air flow in the range hood's exhaust without the need to disconnect its wiring



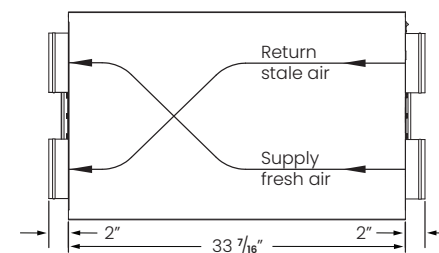
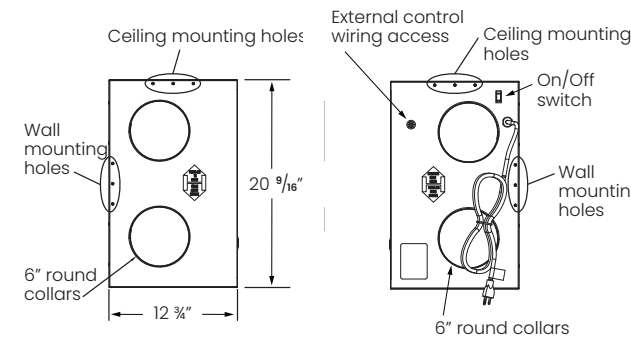
Designed & Assembled in the USA
utilizing U.S. and Global Components



Designed & Assembled in the USA
utilizing U.S. and Global Components

SPECIFICATIONS

Overall dimensions	37 7/16" W x 20 9/16" H x 12 3/4" D
EnergyMax® transfer core	12 1/8" x 12 1/8" x 10 3/4"
Air flow capacity	120 cfm @ 0.30 in. w.c. external ductwork resistance, i.e., 240 equivalent feet for each of the "fresh" and "stale" air streams.
Performance	Apparent Sensible Effectiveness (ASE) – 77% at rated ventilation capacity with 72°F indoor temperature and 32°F outdoor temperature.
Home size	Up to 7,500 sq. ft. home at rated air flow.
Power requirements	120 VAC, 1.4 ampere maximum. Unit equipped with a 3 ft. grounded power cord.
Interior insulation	Entire interior surface is sealed with 1" single face insulation.
Filters	(2) – 10 13/16" x 11 5/16" x 3/32" EZ Kleen® air filters coated with Super Filter Coat adhesive for maximum performance.
Unit weight and packaging	Total shipping weight with mounting hardware – 76 lbs.



90-1743



FEATURES

- + Provides a constant and controlled supply of fresh air year-round
- + EnergyMax® transfer core technology uses the conditioned air being expelled to heat the incoming fresh air in the winter, reducing value loss from indoor air
- + EnergyMax® core also removes moisture and cools the incoming fresh air in the summer the same way it warms the air in the winter
- + Unit is designed, when properly installed, to achieve ASHRAE standard 62.2
- + Can run continuously without a controller or on a schedule when wired to an 8120X ventilation controller*
- + Minimal maintenance required
- + Quiet operation

*Pat. No. 9,874,366

BENEFITS

- + Brings fresh air into the home
- + Helps remove moisture from incoming air during warmer months
- + Reduces indoor air pollution by expelling pollutants that can build up indoors
- + Reduces energy costs by tempering incoming fresh air with outgoing air

When properly installed and set, the AprilAire Model 8100 will meet the mechanical ventilation requirements of:

- + ASHRAE standard 62.2
- + International Residential Code (IRC)
- + International Mechanical Code (IMC)

AprilAire®



Humidity
Control



Air
Cleaning



Control



Zoning



Fresh Air



Radon