

AprilAire[®]

Ventilation

SPECIFICATION SHEET

Models 8144NC

Fresh Air Ventilator for Multi-Family Applications

FEATURES

- Designed for use in continuous airflow applications up to 130 CFM
- Unit is designed, when properly installed, to achieve ASHRAE Standard 62.2
- Complies with IECC (2.8 cfm/watt)
- Integrated powered damper
- Removable, washable filter

SPECIFICATIONS

Overall Dimensions	See drawing
Inlet Collar	6" Round
Outlet Collar	6" Oval
Ambient Temperature	0°F to 160°F
Voltage	115VAC, 1 phase, 60 Hz
Power	Hardwired
Ducting	6" diameter flexible insulated duct
Warranty	5 years
ETL	Tested to UL Standard 705 – Power Ventilators Not For Outdoor Use



with US and imported parts

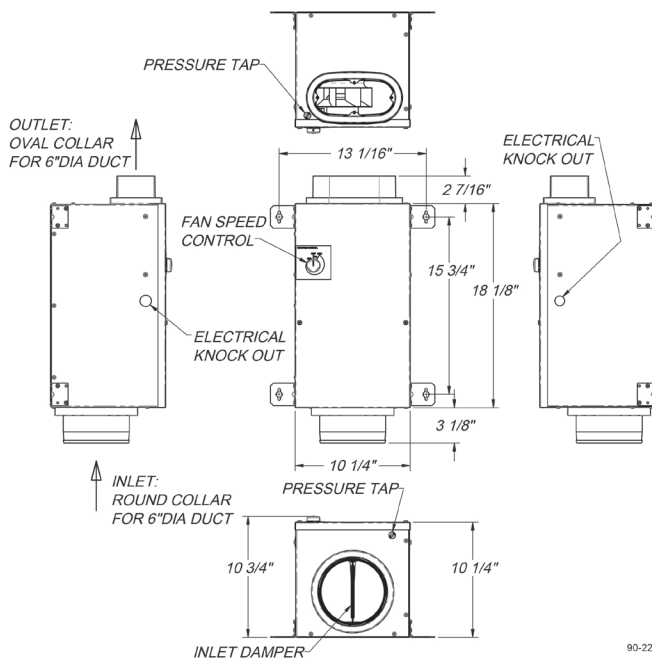


BENEFITS

- The precise amount of outside air is delivered to the dwelling
- Improves indoor air quality
- Robust design handles hot attics up to 160°F
- Installation labor reduced versus installing components separately
- Furnace or air handler does not require an ECM motor to meet efficacy requirement

When properly installed and set, the AprilAire Model 8144NC Fresh Air Ventilator will meet the mechanical ventilation requirements of:

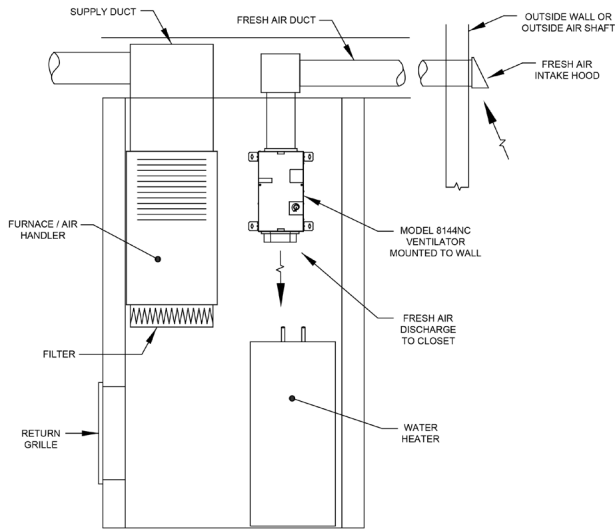
- International Residential Code (IRC)
- International Energy Conservation Code (IECC)
- International Mechanical Code (IMC)
- California Energy Commission Title 24



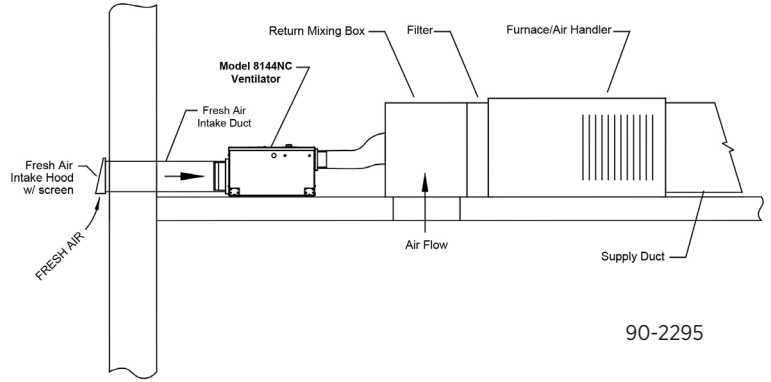
90-2287

90-2287

TYPICAL CLOSET INSTALLATION



TYPICAL RETURN DUCT INSTALLATION



90-2295

OPERATION METHODS

1. Continuous flow (standard factory preset)
2. Operation interlocked with the HVAC system (see wiring diagram in installation instructions)
3. Can be used with external control
 - AprilAire ventilation control – Model 8120X
 - AprilAire thermostats – Models 8620, 8910
 - AprilAire wi-fi thermostats – Models 8620W, 8910W, 8920W

AIR FLOW PERFORMANCE

MAXIMUM AIR FLOW				
External Static Pressure ** ("w.c.)	0.0	0.1	0.2	0.3
Airflow (CFM)	145	130	110	100
Efficacy (CFM/watt)	5.60	5.30	4.70	4.10

** Measured across ventilator.