

# AprilAire®

## Humidifier

### SPECIFICATION SHEET

## Model 865

Ductless Steam Humidification Package

Steam Capacity Gallons/Day	Voltage	Hertz	Current Draw	
			Amps	kW
11.5	120V	60 Hz	11.5	1.4
16.0			16.0	1.9
20.5	208V	60 Hz	11.5	2.4
30.0			16.0	3.3
23.3	240V	60 Hz	11.5	2.8
34.6			16.0	3.8



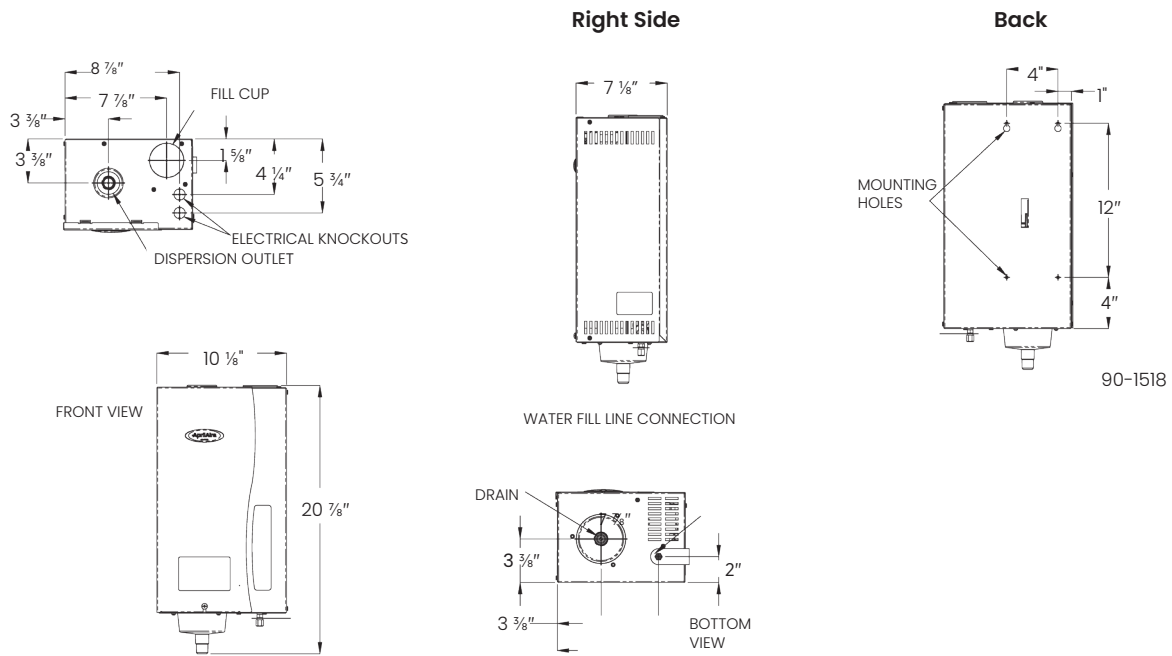
SPECIFICATIONS	
Unit dimensions	10 1/8" W x 20 7/8" H x 7 1/8" D
Weight – unit only/ operating weight	23 lbs 27 lbs.
Drain water temperature	Drain water not to exceed 140°F. Tempered with cold fill water
Installation accessories included	6 ft. of commercial grade steam hose, 10 ft. drain hose, clamps/hardware
Supply water conductivity	125 to 1250 µS/cm
Supply water pressure range	25 to 120 psi
Supply/Drain connection	Supply: 1/4" copper compression fitting Drain: 7/8" for flex hose
Warranty	5 Years
Fan pack	Wall mounted discharge grill with integrated 24VAC fan blower assembly and stainless steel dispersion chamber

### FEATURES

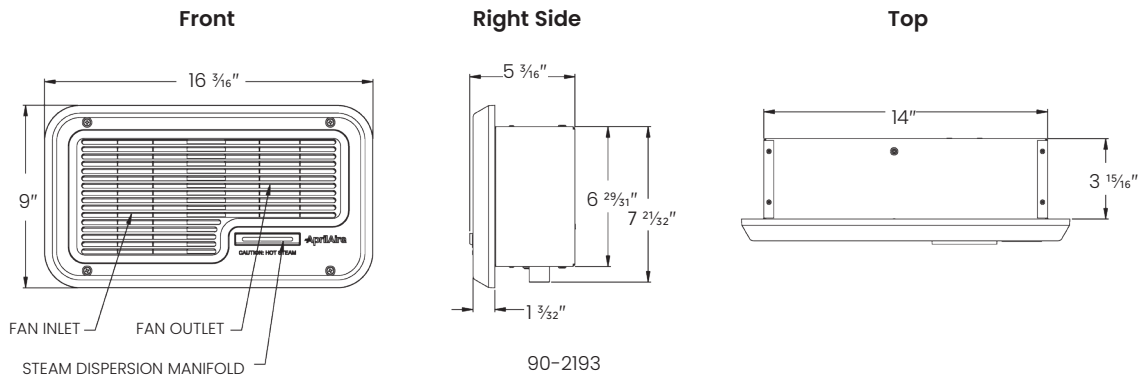
- The Fan Pack marries with the AprilAire Model 800 Steam Humidifier to provide comfortable humidity levels in homes without duct work.
- Includes Model 800 Steam Humidifier, Fan Pack, Model 65 digital humidistat and Model 4028 includes drain trap assembly, steam hose and drain tube.
- Proven design using electrode technology.
- One unit can provide between 11.5 and 34.6 gallons per day depending upon installation.
- The Fan Pack is recessed into a wall and connects directly to the Model 800 Steam Humidifier.
- Canister does not require cleaning or scrubbing—simply replace it annually and replace the electrode wires every three years.
- Quiet operation makes the Fan Pack practically unnoticeable.
- Designed to blend into a home's environment.



## DIMENSIONAL INFORMATION



## FAN PACK DIMENSIONAL INFORMATION



## DEDICATED MONITORING



**Model 65**  
 Dedicated monitoring and control of the humidifier from the living space.

MODEL 65	
Electrical Specifications	
Input voltage and current	Voltage: 24VAC (supplied by humidifier control board)
Control Specifications	
Control range	10%-50% RH
Accuracy	±5%
Differential	3%
Operating ranges	40°F - 99°F 5% - 90% RH (non-condensing)