

# AprilAire®

## Radon

# Mitigation Fan

## ARNHPF

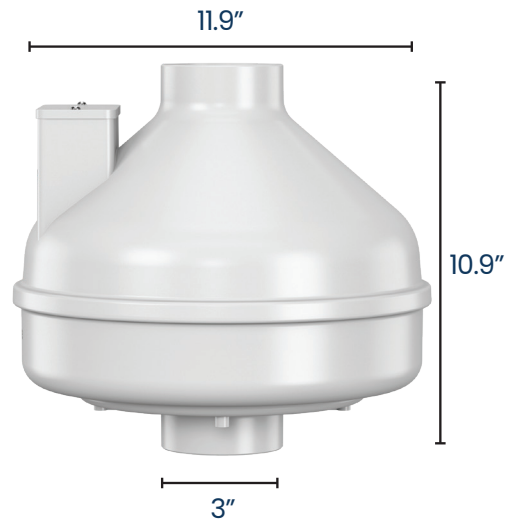


### RADON MITIGATION FAN

AprilAire® fans are specifically designed for radon mitigation. AprilAire Fans provide superb performance, and run ultra-quiet. The ARNHPF is ideal for most **moderate to tight soils\*** where a high static pressure is needed to maintain continual air flow beneath the slab.

### FEATURES

- Patent pending design
- Housing that stays white
- Water-hardened thermally-protected motor
- Optimal for moderate to tight soils
- Quiet operation
- Rated for indoor and outdoor use
- Rated for commercial or residential use
- Technology to inhibit radon and soil gas leakage
- ETL listed by Intertek to UL507 and CSA C22.2 Standards



MODEL	FAN DUCT DIAMETER	WATTS	RECOM. MAX. OP. PRESSURE "WC	TYPICAL CFM VS. STATIC PRESSURE WC							
				0.2"	1.0"	1.5"	2.0"	2.5"	3.0"	3.5"	4.0"
ARNHPF	3"	70-170	4.0	110	97	88	79	68	54	36	14



with U.S. and imported parts.



ETL Listed



All AprilAire Radon Mitigation Fans are covered by our 5-year, hassle-free warranty.

\*Other factors play into fan selection, such as soil/grade type, home construction, etc.

# AprilAire®

## Radon

# Mitigation Kit & Accessories

## RADON MITIGATION KIT – HPF

Everything you need to set up radon mitigation and monitoring in homes. Includes a 3x3 coupling, manometer, and the ARNALM Radon System Alarm.

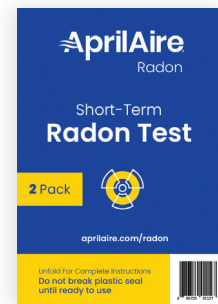
P/N ARNHPK



## RADON TEST KIT

Make radon testing a part of your service and maintenance calls. Available in single packs and 2-packs.

P/N ARNTK1 (1-Pack)  
P/N ARNTK2 (2-Pack)



## RADON SYSTEM ALARM

Install the Radon System Alarm to ensure that the mitigation system is performing without issue.

P/N ARNALM

