



Artis Metals Company has been manufacturing high-quality thick metal HVAC venting products since 1937. We remain family-owned and operated and dedicated to serving our customers in the most professional and timely manner. Our distributors include HVAC, Roofing, Siding, and Other Building Material Retailers.

We also design and manufacture products for OEMs. We provide free samples for quality comparison purposes to new distributors. You will notice that our products are made from thicker and more durable metal.

Call or email us for a free sample.

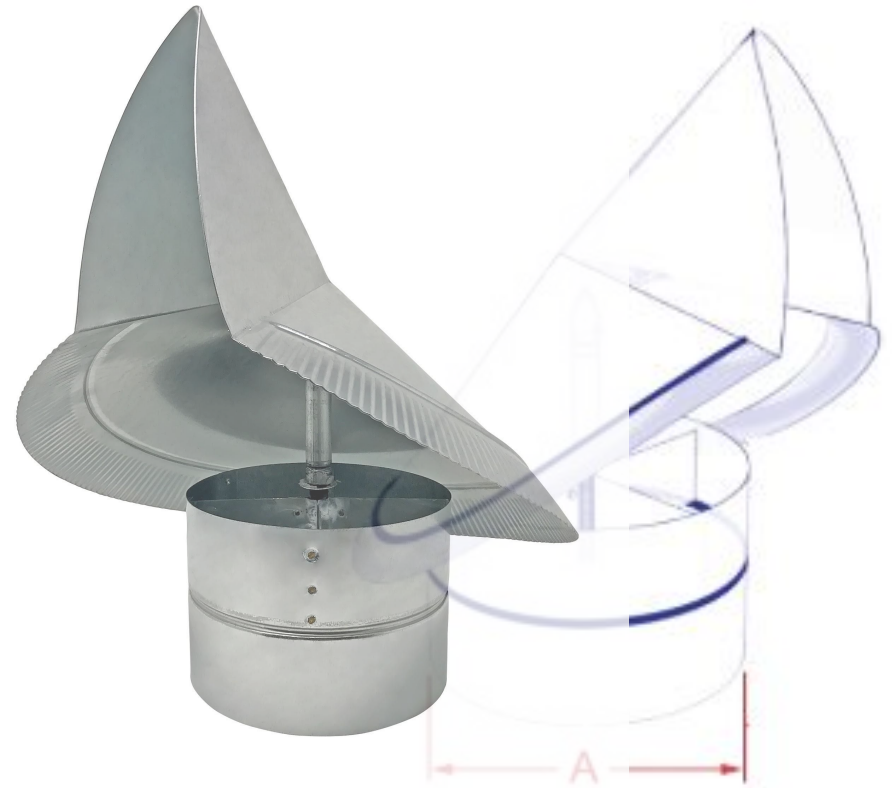
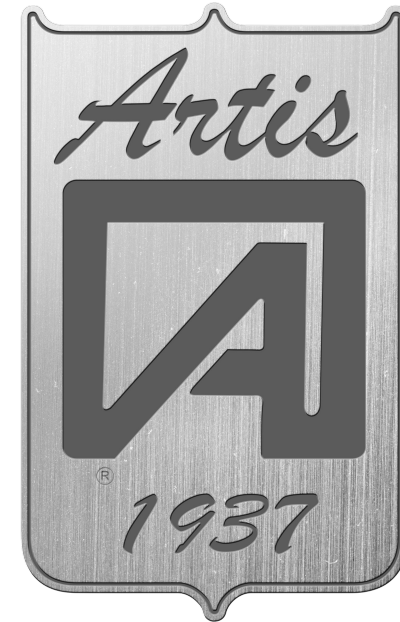




TABLE OF CONTENTS

TITLE PAGE	1
TABLE OF CONTENTS	2
J-VENT ROOF VENT CAP - (GALVANIZED & POWDER COATED STANDARD)	3-4
J-VENT ROOF VENT CAP - (COPPER)	5-6
J-VENT ROOF VENT CAP - (STAINLESS STEEL)	7-8
J-VENT ROOF VENT CAP HARD CONNECT - (GALVANIZED)	9
J-VENT ROOF VENT CAP HARD CONNECT - (POWDER COATED)	10
J-VENT ROOF VENT CAP - (6"-12" EXTENSION)	11
WALL VENT CAPS (GALVANIZED, STAINLESS STEEL, & COPPER)	12
WALL VENT CAP - (GALVANIZED, ALUMINUM)	13
WALL VENT CAP - (STAINLESS STEEL)	14
WALL VENT CAP - (COPPER)	15
WALL VENT CAP - (POWDER COATED)	16-17
WALL VENT CAP (RECTANGULAR) - (GALVANIZED, ALUMINUM & POWDER COATED COLORS)	18
WALL VENT CAP (RECTANGULAR)- (STAINLESS STEEL)	19
WALL VENT CAP (RECTANGULAR) - (COPPER)	20
WALL VENT CAP (RECTANGULAR) - (GALVANIZED, ALUMINUM & POWDER COATED)	21
WIND DIRECTIONAL CAP	22
MASTER GRAVITY VENTILATOR	23
AERO-FOIL GRAVITY VENTILATOR	24
GLOBE VENT	25
BACKDRAFT DAMPER BUTTERFLY DAMPER	26
VACUUM CAP	27
CONE TOP CAP (GALVANIZED, SS)	28
CONE TOP CAP (COPPER)	29
ROOF MOUNT EXHAUST VENT (GALV., ALUM.)	30
ROOF MOUNT (COPPER)	31
TAPERED REDUCER (THREE PIECES)	32-33
ROOF BASE (FLAT)	34



PRODUCT: J-VENT | ROOF VENT CAP (_JV_)

MATERIALS: GALVANIZED, ALUMINUM, & POWDER COATED

SIZES: 3", 4" & 6" (DRAWN HOOD STYLE), 5", 7", 8"-12" (3 PIECE HOOD STYLE), 14" (CRIMPED HOOD STYLE)



"A Tradition of Quality Since 1937"

Artis Metals Company



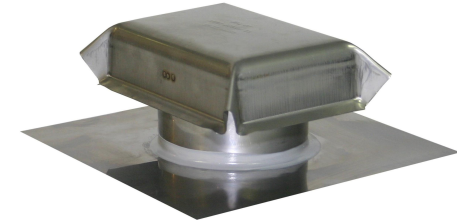
DRAWN
HOOD STYLE
SIZES: 3", 4", & 6"



DRAWN
HOOD STYLE
SIZES: 3", 4", & 6"



3 PIECE
HOOD STYLE
SIZES: 5", 7", 8", 9", 10", & 12"



CRIMPED
HOOD STYLE
SIZE: 14"

PRODUCT HIGHLIGHTS

THE ARTIS J-VENT IS USED PRIMARILY AS AN EXHAUST VENT FOR BATHROOMS, RANGE HOODS, AND OTHER AIR QUALITY APPLICATIONS. IT IS ALSO USED FOR PASSIVE ATTIC VENTILATION OR FRESH AIR INTAKE. THE J-VENT CAN ALSO BE USED ON ANY ROOF PITCH.

- LOW PROFILE DESIGN
- INSTALLS ON ANY PITCH
- 1/8" INSECT SCREEN
- CAN BE MANUFACTURED FOR SHAKE BASE, HARD CONNECT & CURB MOUNT APPLICATIONS
- TALLER CLEARANCES AVAILABLE
- SIZES 3", 4", & 6" ROUND CONNECT IN STYLE SHOWN ABOVE (DRAWN HOOD STYLE)
- GALVANIZED (G-90)
- POWDER COATED - BROWN, BLACK, OR WHITE
- OTHER MATERIALS AVAILABLE IN SIMILAR STYLES



PRODUCT: J-VENT | ROOF VENT CAP (_JV_)

MATERIALS: GALVANIZED, ALUMINUM, & POWDER COATED

SIZES: 3", 4" & 6" (DRAWN HOOD STYLE), 5", 7", 8"-12" (3 PIECE HOOD STYLE), 14" (CRIMPED HOOD STYLE)



"A Tradition of Quality Since 1937"

® *Artis Metals Company*

SPECIFICATION KEY

SPECIFY MATERIAL

LEAVE BLANK = GALVANIZED (JV#)

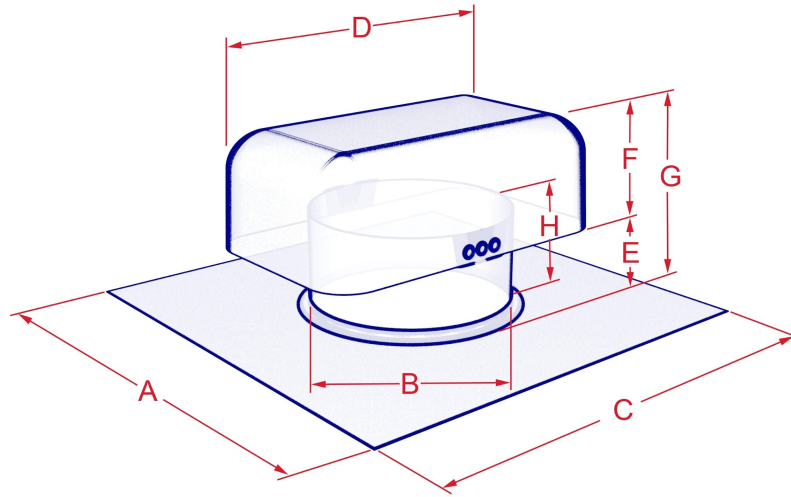
SPECIFY POWDER COATED

COLORS BEFORE & AFTER PART

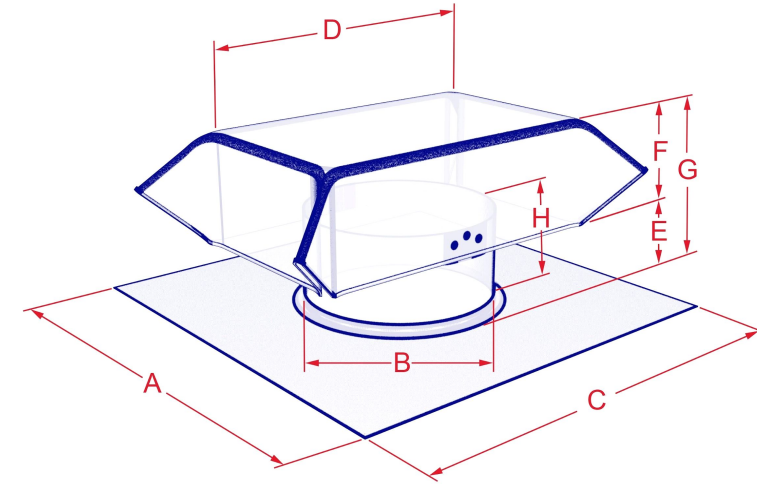
BL = BLACK (**PJV#BL**)

BR = BROWN (**PV#BR**)

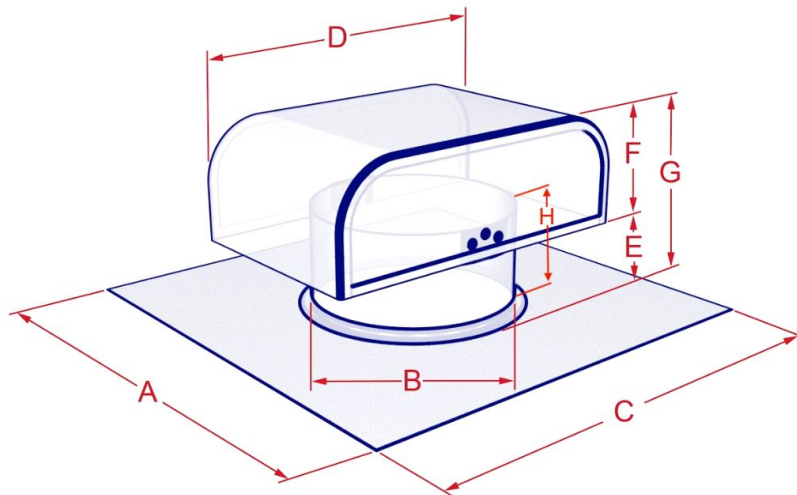
W = WHITE (**PJV#WH**)



DRAWN HOOD STYLE
SIZES: 3", 4" & 6"



CRIMPED HOOD STYLE
SIZES: 14"



3 PIECE HOOD STYLE
SIZES: 5", 7", 8"-12"

SKU	SIZE	A	B	C	D	E	F	G	H	Free Area
JV328 (DRAWN HOOD)	3"	8.00	3.00	8.00	5.50	1.25	1.75	3.00	2.00	7.00
JV428 (DRAWN HOOD)	4"	9.00	4.00	9.00	6.25	1.50	1.75	3.25	2.50	12.00
JV528 (3 PIECE HOOD)	5"	11.00	5.00	11.00	8.25	1.75	3.00	4.75	4.25	12.00
JV626 (DRAWN HOOD)	6"	12.00	6.00	15.00	10.00	2.00	3.00	5.00	4.00	28.00
JV726 (3 PIECE HOOD)	7"	12.00	7.00	15.00	11.00	2.75	3.25	6.00	4.50	38.00
JV826 (3 PIECE HOOD)	8"	15.00	8.00	15.00	12.00	2.00	3.50	5.50	5.00	50.00
JV1026 (3 PIECE HOOD)	10"	18.00	10.00	20.00	16.00	2.25	4.25	6.50	6.50	78.00
JV1226 (3 PIECE HOOD)	12"	20.00	12.00	24.00	19.00	2.50	4.50	7.00	7.00	113.00
JV1424 (CRIMPED HOOD)	14"	22.00	14.00	24.00	19.00	2.50	4.25	6.75	6.75	153.00



PRODUCT: J-VENT COPPER | ROOF VENT CAP (CJV__)

MATERIALS: COPPER

SIZES: 4" (CRIMPED HOOD STYLE) & 6", 8", 10", 12" (3 PIECE HOOD STYLE)

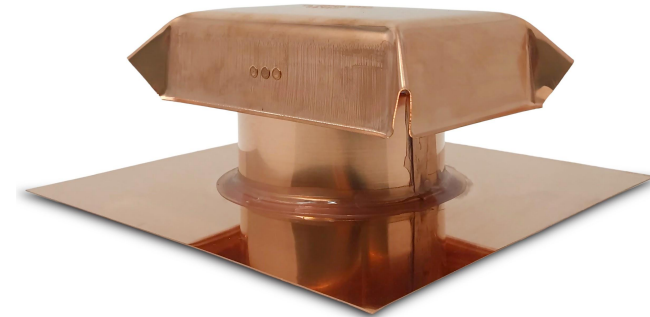


"A Tradition of Quality Since 1937"

® *Artis Metals Company*



3 PIECE HOOD STYLE
SIZES: 6", 8", 10", & 12"



CRIMPED HOOD STYLE
SIZES: 3", 4", 5"

PRODUCT HIGHLIGHTS

THE ARTIS J-VENT IS USED PRIMARILY AS A EXHAUST VENT FOR BATHROOMS, RANGE HOODS, AND OTHER AIR QUALITY APPLICATIONS. IT IS ALSO USED FOR PASSIVE ATTIC VENTILATION OR FRESH AIR INTAKE. THE J-VENT CAN ALSO BE USED ON ANY ROOF PITCH.

- LOW SILHOUETTE
- INSTALLS ON ANY PITCH
- 1/8" INSECT SCREEN
- CAN BE MANUFACTURED FOR SHAKE BASE, HARD CONNECT & CURB MOUNT APPLICATIONS
- TALLER CLEARANCES AVAILABLE



PRODUCT: J-VENT COPPER | ROOF VENT CAP (CJV__)

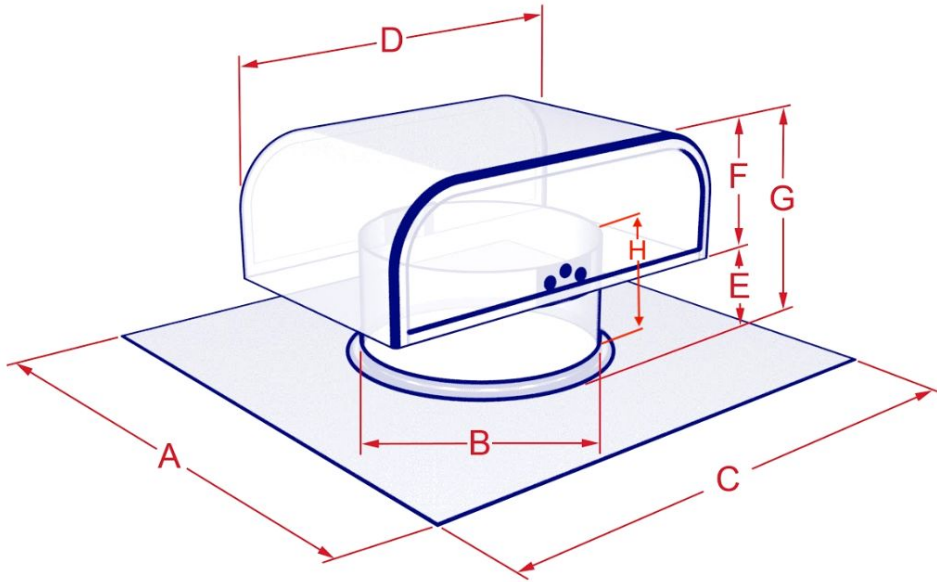
MATERIALS: COPPER

SIZES: 4" (CRIMPED HOOD STYLE) & 6", 8", 10", 12" (3 PIECE HOOD STYLE)

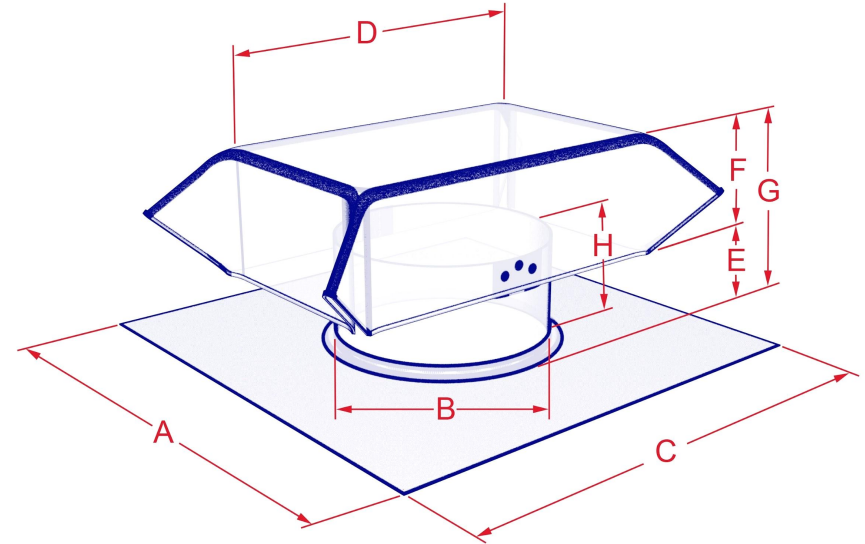


"A Tradition of Quality Since 1937"

Artis Metals Company



3 PIECE HOOD STYLE
SIZES: 6", 8", 10", & 12"



CRIMPED HOOD STYLE
SIZES: 4"

SKU	SIZE	A	B	C	D	E	F	G	H
CJV416 (CRIMPED HOOD)	4"	9.00	4.00	9.00	6.25	1.50	1.75	3.25	2.50
CJV616 (3 PIECE HOOD)	6"	12.00	6.00	15.00	10.00	2.00	3.00	5.00	4.00
CJV816 (3 PIECE HOOD)	8"	15.00	8.00	15.00	12.00	2.00	3.50	5.50	2.13
CJV1016 (3 PIECE HOOD)	10"	15.00	10.00	20.00	16.00	2.225	4.25	6.50	5.25
CJ1216 (3 PIECE HOOD)	12"	20.00	12.00	24.00	19.00	2.50	4.50	7.00	1.88



PRODUCT: J-VENT | ROOF VENT CAP (SJV__)

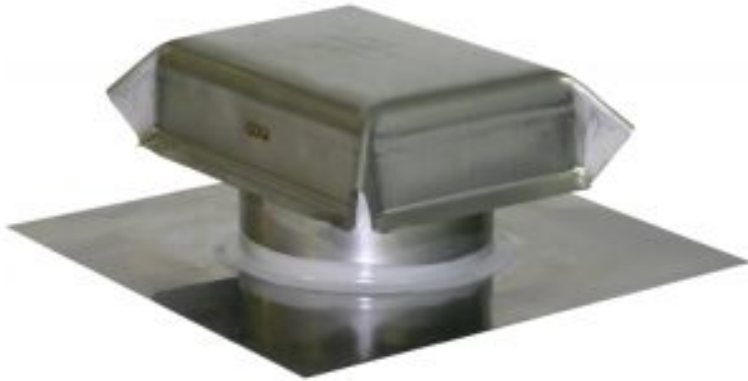
MATERIALS: STAINLESS STEEL

SIZES: 3", 4", & 14" (CRIMPED HOOD STYLE) & 6", 8", 10", 12" (3 PIECE HOOD STYLE)



"A Tradition of Quality Since 1937"

Artis Metals Company



CRIMPED HOOD STYLE

SIZES: 3", 4" & 14"



3 PIECE HOOD STYLE

SIZES: 6", 8", 10" & 12"

PRODUCT HIGHLIGHTS

THE ARTIS J-VENT IS USED PRIMARILY AS AN EXHAUST VENT FOR BATHROOMS, RANGE HOODS, AND OTHER AIR QUALITY APPLICATIONS. IT IS ALSO USED FOR PASSIVE ATTIC VENTILATION OR FRESH AIR INTAKE. THE J-VENT CAN ALSO BE USED ON ANY ROOF PITCH.

- LOW SILHOUETTE
- INSTALLS ON ANY PITCH
- 1/8" INSECT SCREEN
- CAN BE MANUFACTURED FOR SHAKE BASE, HARD CONNECT & CURB MOUNT APPLICATIONS
- TALLER CLEARANCES AVAILABLE



PRODUCT: J-VENT | ROOF VENT CAP (SJV__)

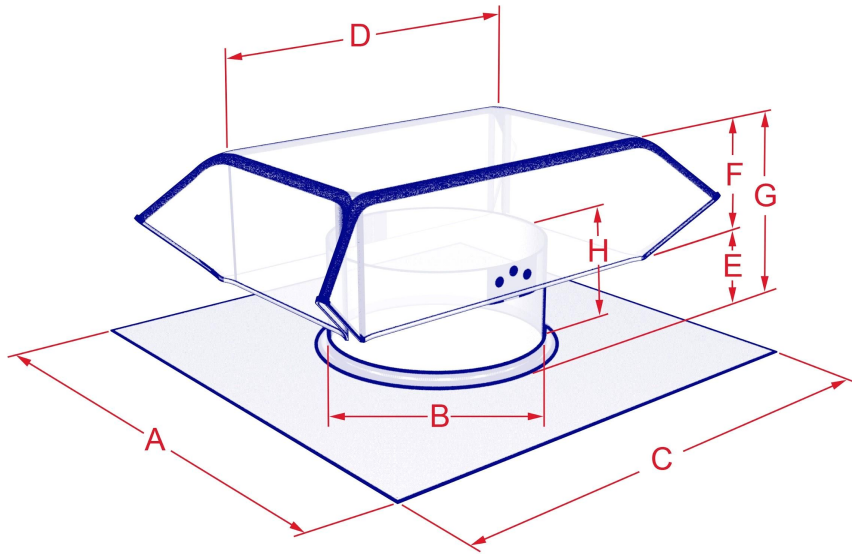
MATERIALS: STAINLESS STEEL

SIZES: 3", 4", & 14" (CRIMPED HOOD STYLE) & 6", 8", 10", 12" (3 PIECE HOOD STYLE)

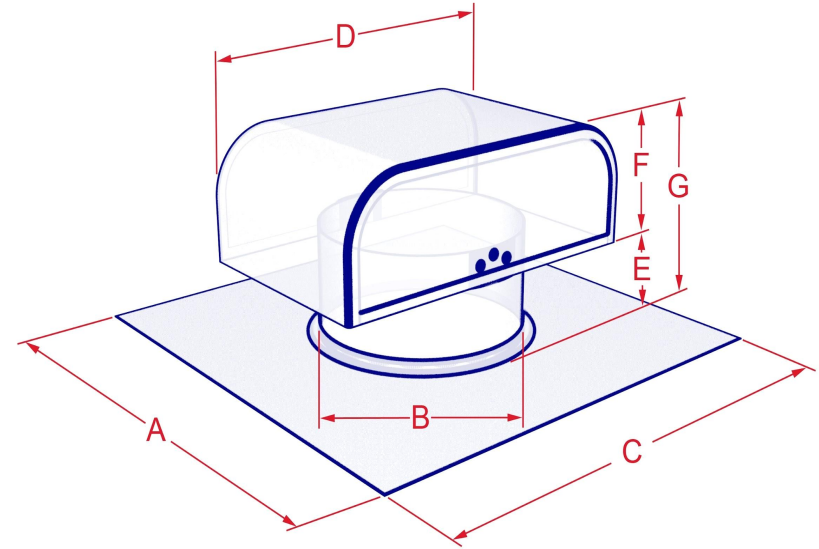


"A Tradition of Quality Since 1937"

Artis Metals Company



CRIMPED HOOD STYLE
SIZES: 3", 4" & 14"



3 PIECE HOOD STYLE
SIZES: 6", 8", 10", & 12"

SKU	SIZE	A	B	C	D	E	F	G	H	Free Area
SJV326 (CRIMPED HOOD)	3"	8.00	3.00	8.00	5.50	1.25	1.75	3.00	2.00	7.00
SJV426 (CRIMPED HOOD)	4"	9.00	4.00	9.00	6.25	1.50	1.75	3.25	2.50	12.00
SJV526 (3 PIECE HOOD)	5"	11.00	5.00	11.00	8.25	1.75	3.00	4.75	4.25	12.00
SJV626 (3 PIECE HOOD)	6"	12.00	6.00	15.00	10.00	2.00	3.00	5.00	4.00	28.00
SJV726 (3 PIECE HOOD)	7"	12.00	7.00	15.00	11.00	2.75	3.25	6.00	4.50	38.00
SJV826 (3 PIECE HOOD)	8"	15.00	8.00	15.00	12.00	2.00	3.50	5.50	5.00	50.00
SJV1026 (3 PIECE HOOD)	10"	18.00	10.00	20.00	16.00	2.25	4.25	6.50	6.50	78.00
SJV1226 (3 PIECE HOOD)	12"	20.00	12.00	24.00	19.00	2.50	4.50	7.00	7.00	113.00
SJV1426 (CRIMPED HOOD)	14"	22.00	14.00	24.00	19.00	2.50	4.25	6.75	6.75	153.00



PRODUCT: J-VENT | ROOF VENT CAP | HARD CONNECT (JV__HC)

MATERIALS: GALVANIZED

SIZES: 3", 4" & 6" (DRAWN HOOD STYLE), 7", 8"-12" (3 PIECE HOOD STYLE), 14" (CRIMPED HOOD STYLE)



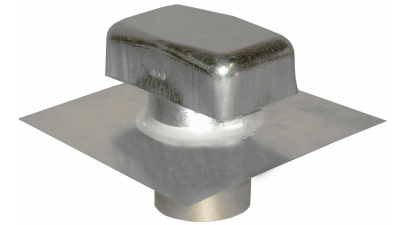
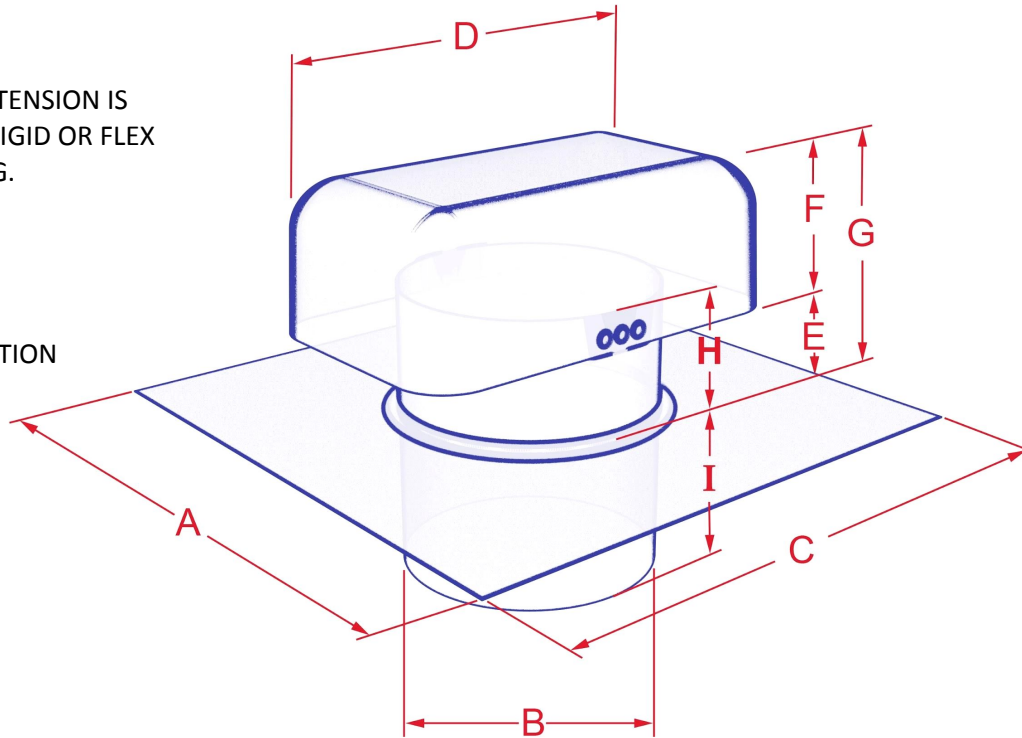
"A Tradition of Quality Since 1937"

Artis Metals Company

PRODUCT HIGHLIGHTS

THE ARTIS J-VENT HARD CONNECT EXTENSION IS USED FOR EASE FOR ATTACHMENT TO RIGID OR FLEX PIPE BELOW ROOF SHEETING.

- LOW SILHOUETTE
- INSTALLS ON ANY PITCH
- 1/8" INSECT SCREEN
- HARD CONNECT APPLICATION
- GALVANIZED (G-90)



SKU	SIZE	A	B	C	D	E	F	G	H	I	Free Area
JV328 HC (DRAWN HOOD)	3"	8.00	3.00	8.00	5.50	1.25	1.75	3.00	2.00	2.75	7.00
JV428 HC (DRAWN HOOD)	4"	9.00	4.00	9.00	6.25	1.50	1.75	3.25	2.50	3.125	12.00
JV528 HC (3 PIECE HOOD)	5"	11.00	5.00	11.00	8.25	1.75	3.00	4.75	4.25	3.125	12.00
JV626 HC (DRAWN HOOD)	6"	12.00	6.00	15.00	10.00	2.00	3.00	5.00	4.00	3.125	28.00
JV726 HC (3 PIECE HOOD)	7"	12.00	7.00	15.00	11.00	2.75	3.25	6.00	4.50	3.125	38.00

SKU	SIZE	A	B	C	D	E	F	G	H	I	Free Area
JV826 HC (3 PIECE HOOD)	8"	15.00	8.00	15.00	12.00	3.50	5.50	5.00	3.50	3.125	50.00
JV926 HC (3 PIECE HOOD)	9"	15.00	9.00	18.00	14.00	4.25	6.50	6.50	4.25	3.125	63.00
JV1026 HC (3 PIECE HOOD)	10"	15.00	10.00	20.00	16.00	4.50	7.00	7.00	4.50	3.125	78.00
JV1226 HC (3 PIECE HOOD)	12"	20.00	12.00	24.00	19.00	4.25	6.75	6.75	4.25	3.125	113.00
JV1424 HC (CRIMPED HOOD)	14"	22.00	14.00	24.00	19.00	3.50	5.50	5.00	3.50	3.125	153.00



PRODUCT: J-VENT | ROOF VENT CAP | HARD CONNECT (PJV_HC)

MATERIALS: POWDER COATED - COLORS AVAILABLE IN (BLACK, BROWN, & WHITE)

SIZES: 3", 4" & 6" (DRAWN HOOD STYLE), 7", 8"-12" (3 PIECE HOOD STYLE), 14" (CRIMPED HOOD STYLE)



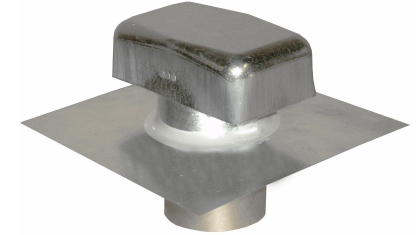
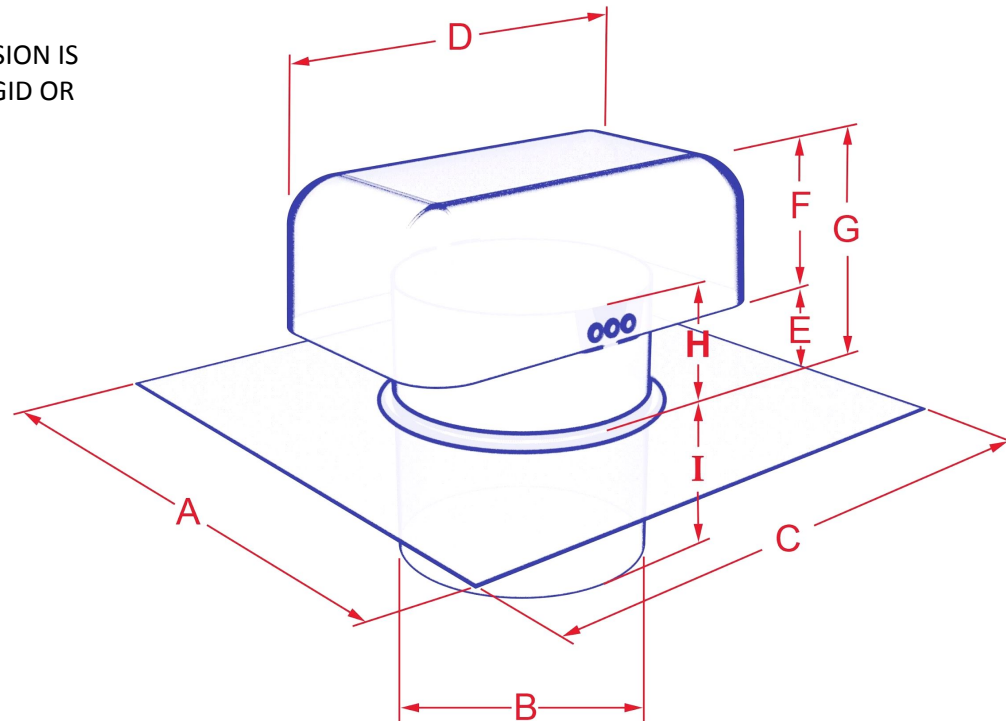
"A Tradition of Quality Since 1937"

Artis Metals Company

PRODUCT HIGHLIGHTS

THE ARTIS J-VENT HARD CONNECT EXTENSION IS USED FOR EASE FOR ATTACHMENT TO RIGID OR FLEX PIPE BELOW ROOF SHEETING.

- LOW SILHOUETTE
- INSTALLS ON ANY PITCH
- 1/8" INSECT SCREEN
- HARD CONNECT APPLICATION
- POWDER COATED (BROWN, BLACK, OR WHITE)



PAINTED	A	B	C	D	E	F	G	H	I	Free Area
PJV328 HC (DRAWN HOOD)	8.00	3.00	8.00	5.50	1.25	1.75	3.00	2.00	2.75	7.00
PJV428 HC (DRAWN HOOD)	9.00	4.00	9.00	6.25	1.50	1.75	3.25	2.50	3.125	12.00
PJV528 HC (3 PIECE HOOD)	11.00	5.00	11.00	8.25	1.75	3.00	4.75	4.25	3.125	12.00
PJV626 HC (DRAWN HOOD)	12.00	6.00	15.00	10.00	2.00	3.00	5.00	4.00	3.125	28.00
PJV726 HC (3 PIECE HOOD)	12.00	7.00	15.00	11.00	2.75	3.25	6.00	4.50	3.125	38.00

PAINTED	A	B	C	D	E	F	G	H	I	Free Area
PJV826 HC (3 PIECE HOOD)	15.00	8.00	15.00	12.00	3.50	5.50	5.00	3.50	3.125	50.00
PJV926 HC (3 PIECE HOOD)	15.00	9.00	18.00	14.00	4.25	6.50	6.50	4.25	3.125	63.00
PJV1026 HC (3 PIECE HOOD)	15.00	10.00	20.00	16.00	4.50	7.00	7.00	4.50	3.125	78.00
PJV1226 HC (3 PIECE HOOD)	20.00	12.00	24.00	19.00	4.25	6.75	6.75	4.25	3.125	113.00
PJV1424 HC (CRIMPED HOOD)	22.00	14.00	24.00	19.00	3.50	5.50	5.00	3.50	3.125	153.00



PRODUCT: GALVANIZED J-VENT | ROOF VENT CAP | 6"- 12" EXTENSION (JV__CL)

MATERIALS: GALVANIZED

SIZES: 3", 4" & 6" (DRAWN HOOD STYLE), 7", 8"-12" (3 PIECE HOOD STYLE), 14" (CRIMPED HOOD STYLE)



"A Tradition of Quality Since 1937"

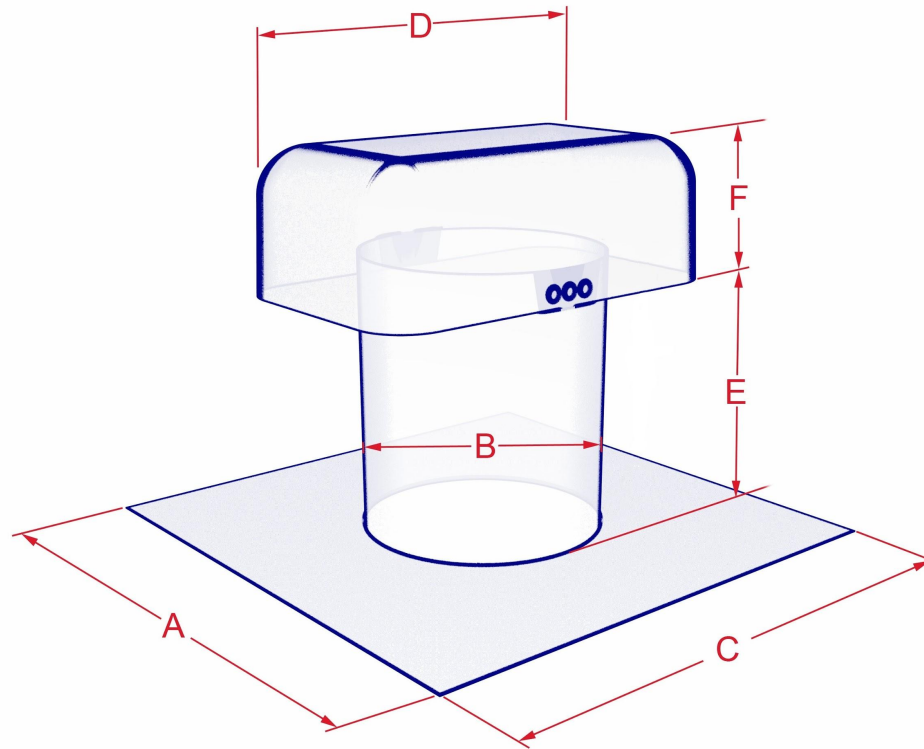
Artis Metals Company

PRODUCT HIGHLIGHTS

THE TALLER THROAT OF THE ARTIS J-VENT WITH CLEARANCE OFFERS MORE CLEARANCE FROM THE FLANGE TO THE BOTTOM OF THE HOOD

- LOW SILHOUETTE
- INSTALLS ON ANY PITCH
- 1/8" INSECT SCREEN
- CAN BE MANUFACTURED FOR SHAKE BASE, HARD CONNECT & CURB MOUNT APPLICATIONS
- TALLER CLEARANCES AVAILABLE
- GALVANIZED (G-90)

FOR HOOD STYLE EXAMPLES, REFER TO STANDARD J-VENT SPECIFICATION SHEET



SKU	SIZE	A	B	C	D	E (EXTENSION)	F	Free Area
JV328CL (DRAWN HOOD)	3"	8.00	3.00	8.00	5.00	6-12	1.75	7.00
JV428CL (DRAWN HOOD)	4"	9.00	4.00	9.00	6.00	6-12	1.75	12.00
JV538CL (3 PIECE HOOD)	5"	11.00	5.00	11.00	8.25	6-12	3.00	12.00
JV626CL (DRAWN HOOD)	6"	12.00	6.00	15.00	11.00	6-12	3.00	28.00
JV726CL (DRAWN HOOD)	7"	12.00	7.00	15.00	11.00	6-12	3.25	38.00

SKU	SIZE	A	B	C	D	E (EXTENSION)	F	Free Area
JV826CL (3 PIECE HOOD)	8"	15.00	8.00	15.00	12.00	6-12	3.50	50.00
JV1026CL (3 PIECE HOOD)	10"	15.00	10.00	20.00	16.00	6-12	4.25	78.00
JV1226CL (3 PIECE HOOD)	12"	20.00	20.00	24.00	19.00	6-12	4.50	113.00
JV1424CL (CRIMPED HOOD)	14"	22.00	17.00	24.00	19.00	6-12	4.25	153.00



PRODUCT: WALL VENT CAP

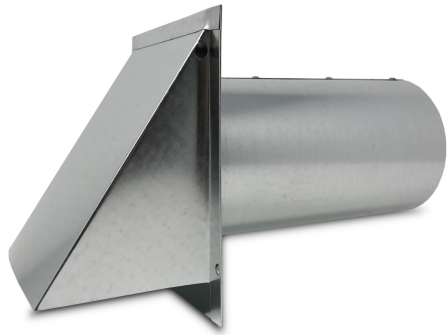
MATERIALS: GALVANIZED, ALUMINUM, STAINLESS STEEL, COPPER

SIZES: 3" - 14" | SCREEN ONLY, DAMPER ONLY, DAMPER & SCREEN

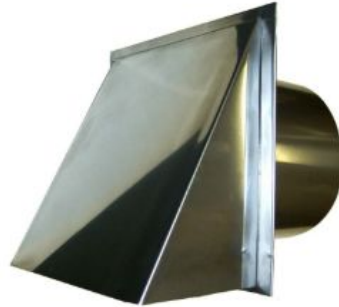


"A Tradition of Quality Since 1937"

® *Artis Metals Company*



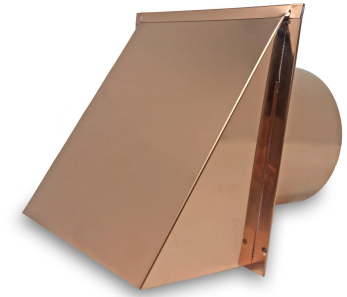
GALVANIZED
SIZES: 3" - 14"



ALUMINUM
SIZES: 3" - 14"



STAINLESS STEEL
SIZES: 3" - 10"



COPPER
SIZES: 3" - 10"

PRODUCT HIGHLIGHTS

THE ARTIS WALL CAP IS IDEAL FOR USE WITH DRYER VENTING, KITCHEN FAN EXHAUST, BATH FAN EXHAUST, FURNACE AIR INTAKE, WHOLE HOUSE VENTILATION, AND HRV'S. VENTS WITH DAMPERS COME STANDARD WITH A SPRING CLOSURE DAMPER AND WEATHER SEAL FOR INCREASED ENERGY EFFICIENCY AND NOISE REDUCTION.

- SPRING CLOSE FOAM LINED DAMPERS
- 1/4" SCREEN
- 1/8" SCREEN AVAILABLE UPON REQUEST
- GALVANIZED ((G-90)
- STAINLESS STEEL (304-2B)
- ALUMINUM (H3003)
- HOOD, FLANGE & DAMPER



PRODUCT: WALL VENT CAP (_WV_)

MATERIALS: GALVANIZED, ALUMINUM

SIZES: 3"- 14" | SCREEN ONLY, DAMPER ONLY, DAMPER & SCREEN



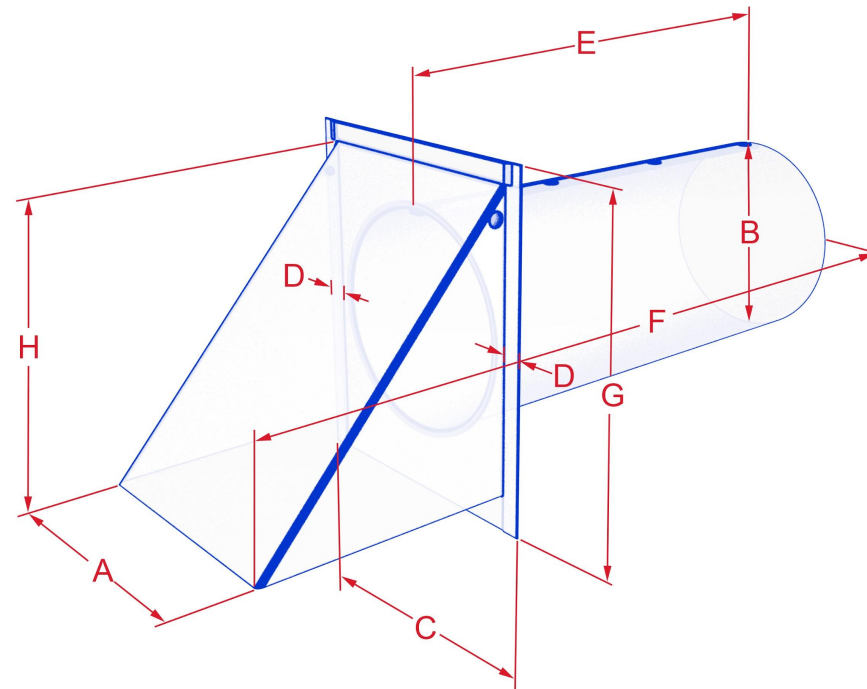
"A Tradition of Quality Since 1937"

Artis Metals Company

PRODUCT HIGHLIGHTS

THE ARTIS WALL CAP IS IDEAL FOR USE WITH THE DAMPER ONLY DRYER VENTING, KITCHEN FAN EXHAUST, BATH FAN EXHAUST, FURNACE AIR INTAKE (SCREEN ONLY), WHOLE HOUSE VENTILATIONS, AND HRV'S. VENTS WITH DAMPERS COME STANDARD WITH A SPRING CLOSURE DAMPER AND WEATHER SEAL FOR INCREASED ENERGY

- SPRING CLOSE FOAM LINED DAMPERS
- SCREENS ARE 1/4"
- 1/8" SCREENS AVAILABLE UPON REQUEST
- GALVANIZED ((G-90)
- ALUMINUM (H3003)
- POWDER COATED COLORS (BLACK, BROWN, WHITE)
- HOOD, FLANGE & DAMPER



SPECIFICATION KEY

SPECIFY DAMPER & SCREEN OPTIONS BEFORE PART

D = DAMPER ONLY (DWV_#)

S = SCREEN ONLY (SWV_#)

SD = DAMPER & SCREEN (SDWV_#)

SPECIFY MATERIAL AFTER PART

G = GALVANIZED (_WVG#)

A = ALUMINUM (_WVA#)

SKU	SIZE	A	B	C	D	E	F	G	H
_WV_3	3"	5.00	3.00	6.00	.5	8.50	12.375	6.625	5.375
_WV_4	4"	5.00	4.00	6.00	.5	8.50	12.3875	6.625	5.375
_WV_5	5"	6.00	5.00	7.00	.5	8.50	12.250	7.00	6.125
_WV_6	6"	7.0625	6.00	8.00	.5	8.50	12.750	8.00	7.375
_WV_7	7"	7.875	7.00	9.00	.5	8.50	13.750	9.00	7.875
_WV_8	8"	9.875	8.00	11.00	.5	8.50	13.625	11.00	9.812
_WV_10	10"	12.00	10.00	13.00	.5	8.50	15.00	13.50	11.812
_WV_12	12"	13.00	12.00	12.00	.5	8.50	17.250	14.5625	13.375
_WV_14	14"	15.00	14.00	14.00	.5	8.50	19.500	16.750	15.000



PRODUCT: STAINLESS STEEL WALL VENT CAP (__WVSS_)

MATERIALS: STAINLESS STEEL

SIZES: 3" - 10" | SCREEN ONLY, DAMPER ONLY, DAMPER & SCREEN



"A Tradition of Quality Since 1937"

Artis Metals Company

PRODUCT HIGHLIGHTS

THE ARTIS WALL CAP IS IDEAL FOR USE WITH THE DAMPER ONLY DRYER VENTING, KITCHEN FAN EXHAUST, BATH FAN EXHAUST, FURNACE AIR INTAKE (SCREEN ONLY), WHOLE HOUSE VENTILATIONS, AND HRV'S. VENTS WITH DAMPERS COME STANDARD WITH A SPRING CLOSURE DAMPER AND WEATHER SEAL FOR INCREASED ENERGY

- SPRING CLOSE FOAM LINED DAMPERS
- STAINLESS STEEL SCREENS ARE 1/4"
- 1/8" SCREENS AVAILABLE UPON REQUEST
- STAINLESS STEEL (304-2B)
- HOOD, FLANGE & DAMPER

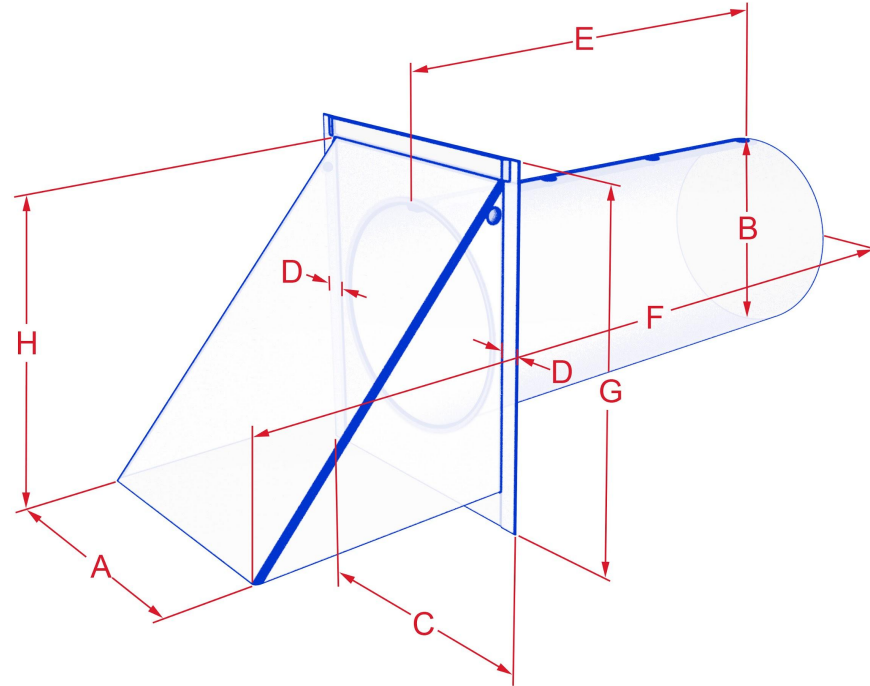
SPECIFICATION KEY

SPECIFY DAMPER & SCREEN OPTIONS BEFORE PART

D = DAMPER ONLY (**D**WV_#)

S = SCREEN ONLY (**S**WV_#)

SD = DAMPER & SCREEN (**SD**WV_#)



SKU	SIZE	A	B	C	D	E	F	G	H
__WVSS3	3"	5.00	3.00	6.00	.5	8.5	12.375	6.625	5.375
__WVSS4	4"	5.00	4.00	6.00	.5	8.5	12.375	6.625	5.375
__WVSS5	5"	6.00	5.00	7.00	.5	8.5	12.25	7.00	6.125
__WVSS6	6"	7.0625	6.00	8.00	.5	8.5	12.75	8.00	7.375
__WVSS7	7"	7.875	7.00	9.00	.5	8.5	13.75	9.00	7.875
__WVSS8	8"	9.875	8.00	11.00	.5	8.5	13.625	11.00	9.812
__WVSS10	10"	12.00	10.00	13.00	.5	8.5	15.00	13.5	11.812



PRODUCT: COPPER WALL VENT CAP (__WVC_)

MATERIALS: COPPER

SIZES: 3" - 10" | SCREEN ONLY, DAMPER ONLY, DAMPER & SCREEN



"A Tradition of Quality Since 1937"

Artis Metals Company

PRODUCT HIGHLIGHTS

THE ARTIS WALL CAP IS IDEAL FOR USE WITH THE DAMPER ONLY DRYER VENTING, KITCHEN FAN EXHAUST, BATH FAN EXHAUST, FURNACE AIR INTAKE (SCREEN ONLY), WHOLE HOUSE VENTILATIONS, AND HRV'S. VENTS WITH DAMPERS COME STANDARD WITH A SPRING CLOSURE DAMPER AND WEATHER SEAL FOR INCREASED ENERGY

- SPRING CLOSE FOAM LINED DAMPERS
- COPPER SCREENS ARE 1/4"
- 1/8" SCREENS AVAILABLE UPON REQUEST
- 16 OZ. COPPER

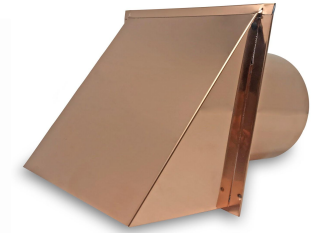
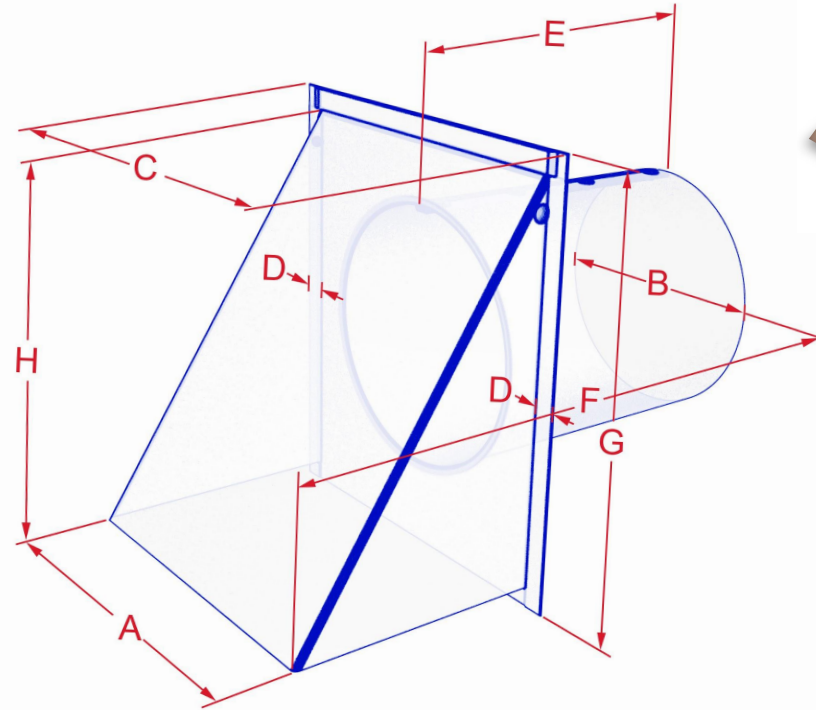
SPECIFICATION KEY

SPECIFY DAMPER & SCREEN OPTIONS BEFORE PART

D = DAMPER ONLY (**D**WV __#)

S = SCREEN ONLY (**S**WV __#)

SD = SCREEN & DAMPER (**SD**WV __#)



SKU	SIZE	A	B	C	D	E	F	G	H
__WVC3	3"	5.000	3.00	6.00	.5	5.00	12.375	6.625	5.375
__WVC4	4"	5.000	4.00	6.00	.5	5.00	12.375	6.625	5.375
__WVC5	5"	6.000	5.00	7.00	.5	5.00	12.250	7.000	6.125
__WVC6	6"	7.0625	6.00	8.00	.5	5.00	12.750	8.000	7.375
__WVC7	7"	9.375	7.00	9.00	.5	5.00	13.750	9.000	7.875
__WVC8	8"	9.375	8.00	11.00	.5	5.00	13.625	11.000	9.812
__WVC10	10"	12.000	10.00	13.00	.5	5.00	15.000	13.500	11.812



PRODUCT: POWDER COATED WALL VENT CAP

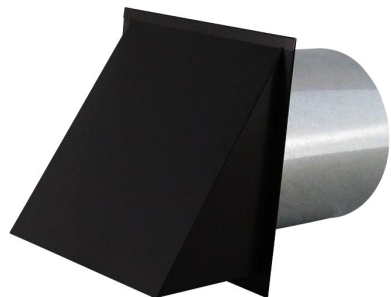
MATERIALS: POWDER COATED

SIZES: 3" - 14" | SCREEN ONLY, DAMPER ONLY, DAMPER & SCREEN

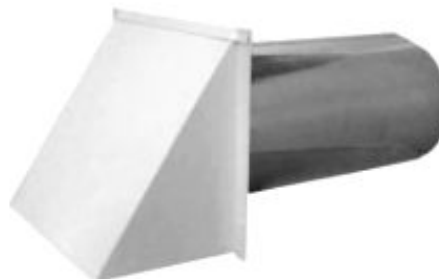


"A Tradition of Quality Since 1937"

® *Artis Metals Company*



BLACK
SIZES: 3"- 14"



WHITE
SIZES: 3"- 14"



BROWN
SIZES: 3"- 14"

PRODUCT HIGHLIGHTS

THE ARTIS WALL CAP IS IDEAL FOR USE WITH THE DAMPER ONLY DRYER VENTING, KITCHEN FAN EXHAUST, BATH FAN EXHAUST, FURNACE AIR INTAKE (SCREEN ONLY), WHOLE HOUSE VENTILATIONS, AND HRV'S. VENTS WITH DAMPERS COME STANDARD WITH A SPRING CLOSURE DAMPER AND WEATHER SEAL FOR INCREASED ENERGY

- SPRING CLOSE FOAM LINED DAMPERS
- 1/4" SCREEN
- 1/8" SCREEN AVAILABLE UPON REQUEST
- AVAILABLE MATERIAL INCLUDE;
 - GALVANIZED (G-90)
 - POWDER COATED HOOD, FLANGE & DAMPER (GALVANIZED)
- STANDARD COLORS:
 - BROWN, BLACK, OR WHITE
- CUSTOM COLOR MATCH AVAILABLE ON LARGE QUANTITY ORDERS
 - RAL COLOR CODE REQUIRED



PRODUCT: POWDER COATED WALL VENT CAP (P__WV__)

MATERIALS: POWDER COATED

SIZES: 3" - 14" | SCREEN ONLY, DAMPER ONLY, DAMPER & SCREEN



"A Tradition of Quality Since 1937"

Artis Metals Company

PRODUCT HIGHLIGHTS

THE ARTIS WALL CAP IS IDEAL FOR USE WITH THE DAMPER ONLY DRYER VENTING, KITCHEN FAN EXHAUST, BATH FAN EXHAUST, FURNACE AIR INTAKE (SCREEN ONLY), WHOLE HOUSE VENTILATIONS, AND HRV'S. VENTS WITH DAMPERS COME STANDARD WITH A SPRING CLOSURE DAMPER AND WEATHER SEAL FOR INCREASED ENERGY

MATERIAL & COLOR KEY

SPECIFY DAMPER & SCREEN OPTIONS BEFORE PART

D = DAMPER ONLY (PDWV#)

S = SCREEN ONLY (PSWV#)

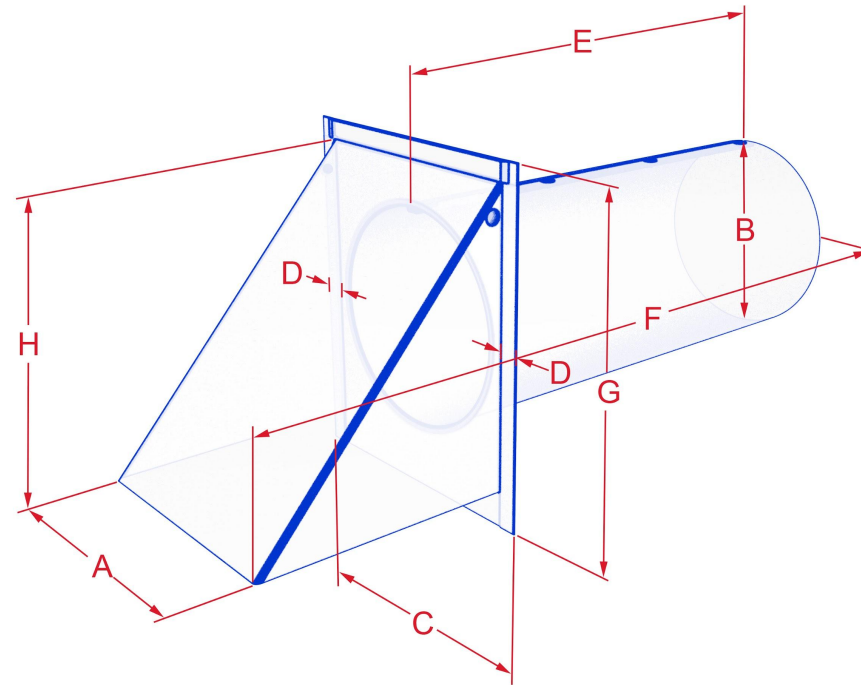
SD = DAMPER & SCREEN (PSDWV#)

SPECIFY POWDER COATED COLORS AT END OF PART

BL = BLACK (P__WV#BL)

BR = BROWN (P__WV#BR)

W = WHITE (P__WV#W)



SKU	SIZE	A	B	C	D	E	F	G	H
P__WV3__	3"	5.00	3.00	6.00	.625	8.50	12.375	6.625	6.5
P__WV4__	4"	5.00	4.00	6.00	.625	8.50	12.375	6.625	6.5
P__WV5__	5"	6.00	5.00	7.00	.625	8.50	12.25	7.00	6.125
P__WV6__	6"	7.0625	6.00	8.00	.625	8.50	12.75	8.00	7.375
P__WV7__	7"	9.375	7.00	9.00	.625	8.50	13.75	9.00	7.875
P__WV8__	8"	9.375	8.00	11.00	.625	8.50	13.625	11.00	9.812
P__WV10__	10"	12.00	10.00	13.00	.625	8.50	15.00	13.50	11.812
P__WV12__	12"	13.00	12.00	14.00	.625	8.50	17.25	14.5625	13.375
P__WV14__	14"	15.00	14.00	16.00	.625	8.50	19.50	16.75	15.00



PRODUCT: RECTANGULAR - WALL VENT CAP | (R____)

MATERIALS: GALVANIZED, STAINLESS STEEL, ALUMINUM, COPPER & POWDER COATED

SIZES: 3.25 X 10", 3.25 X 12", 3.25 X 14" | SCREEN ONLY, DAMPER ONLY, DAMPER & SCREEN



"A Tradition of Quality Since 1937"

® *Artis Metals Company*



PRODUCT HIGHLIGHTS

THE RECTANGULAR WALL CAP IS IDEAL FOR USE AS KITCHEN FAN EXHAUST. HEAVY DUTY CONSTRUCTION WITH SPRING CLOSURE DAMPER AND WEATHER SEAL FOR INCREASED ENERGY EFFICIENCY AND NOISE REDUCTION.

- GALVANIZED (G90, 26GA)
- STAINLESS STEEL (304-2B)
- ALUMINUM (O20)
- COPPER (16 OZ)
- POWDER COATED GALVANIZED IN BLACK, BROWN OR WHITE
- W/SCREEN, W/O SCREEN
- 1/4" GALVANIZED SCREEN
- 1/4" STAINLESS STEEL SCREEN
- 1/4" ALUMINUM
- CUSTOM COLOR MATCH AVAILABLE ON LARGE QUANTITY ORDERS
- RAL COLOR CODE REQUIRED



PRODUCT: STAINLESS STEEL RECTANGULAR WALL VENT CAP (RS__)

MATERIALS: STAINLESS STEEL

SIZES: 3.25" X 10" | DAMPER ONLY, SCREEN ONLY, DAMPER & SCREEN



"A Tradition of Quality Since 1937"

Artis Metals Company

PRODUCT HIGHLIGHTS

STAINLESS STEEL WALL CAPS ARE MANUFACTURED FROM ALL 304-2B STAINLESS STEEL MATERIAL.

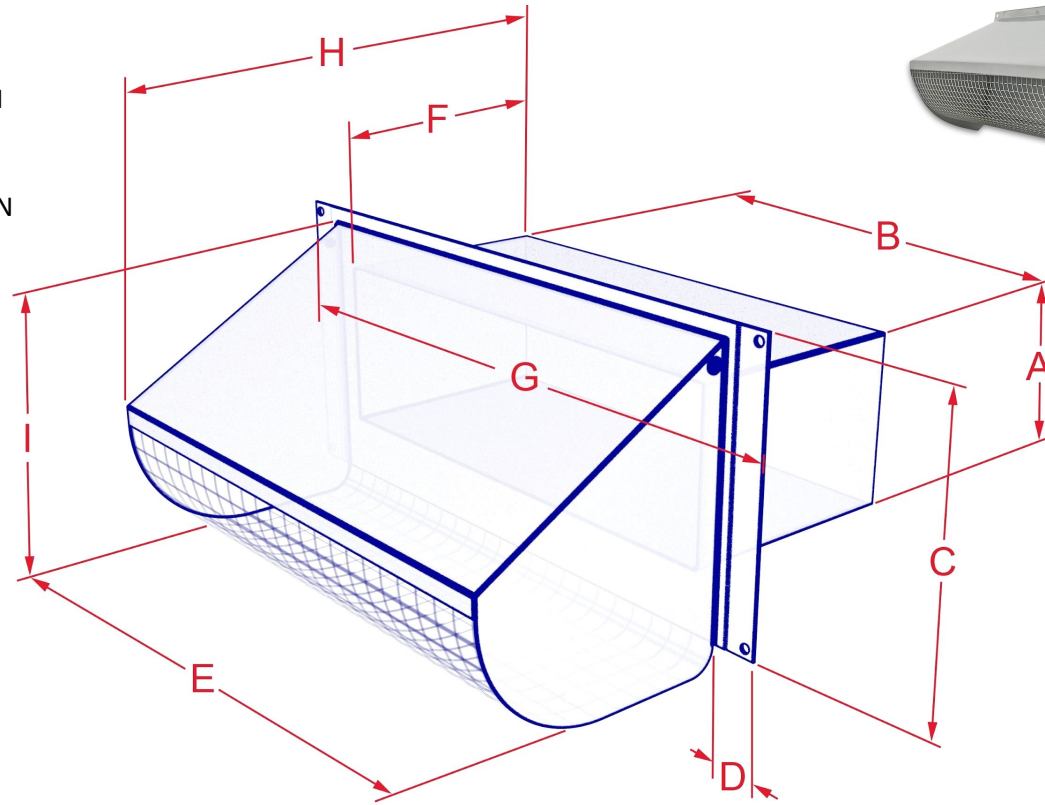
- WITH DAMPER ONLY OR DAMPER & SCREEN
- 1/4" STAINLESS STEEL SCREEN

MATERIAL & COLOR KEY

SPECIFY DAMPER & SCREEN OPTIONS BEFORE PART

LEAVE BLANK = DAMPER ONLY (RS310#)

S = SCREEN ONLY (RS310S)



SKU	SIZE	A	B	C	D	E	F	G	H	I
RS__	3.25" x 10"	3.25	10.00	5.825	1.00	11.00	4.875	12.75	9.50	4.25



PRODUCT: COPPER RECTANGULAR WALL VENT CAP | (RC__)

MATERIALS: COPPER

SIZES: 3.25 X 10" | SCREEN ONLY, DAMPER ONLY, DAMPER & SCREEN



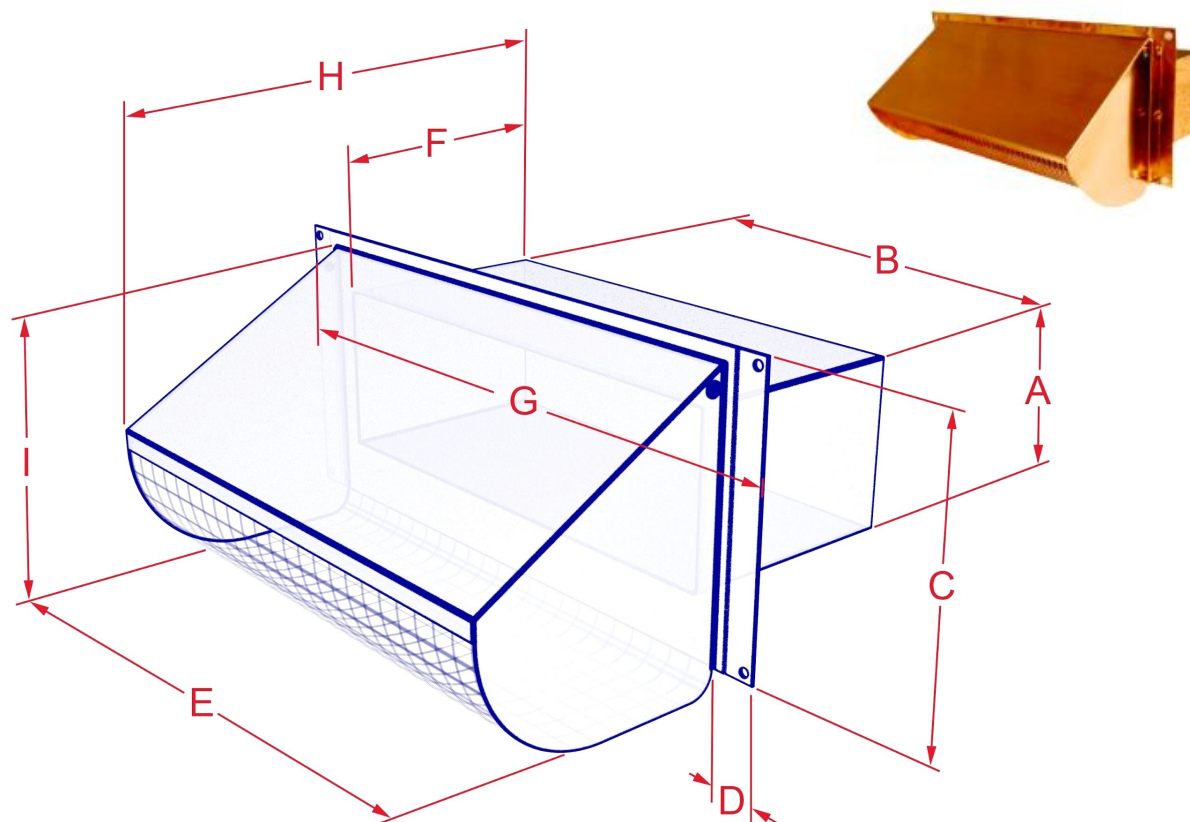
"A Tradition of Quality Since 1937"

Artis Metals Company

PRODUCT HIGHLIGHTS

THE RECTANGULAR WALL CAP IS IDEAL FOR USE AS KITCHEN FAN EXHAUST. HEAVY DUTY CONSTRUCTION WITH SPRING CLOSURE DAMPER AND WEATHER SEAL FOR INCREASED ENERGY EFFICIENCY AND NOISE REDUCTION.

- HOOD DESIGN PREVENTS WIND INDUCED RATTLING AND RAIN PENETRATION
- 16 OZ. COPPER
- DAMPER IS SPRING LOADED AND HAS A FOAM SEAL TO ENSURE MAXIMUM NOISE AND WEATHER PROTECTION
- ALL COPPER WALL CAPS ARE MANUFACTURED WITH COPPER SCREEN INSTALLED
- 1/4" COPPER SCREEN



DAMPER	DAMPER & SCREEN	SIZE	A	B	C	D	E	F	G	H
RC310	RC310S	3.25 X 10"	3.25	10.00	5.825	1.00	11.00	4.875	12.75	9.50



PRODUCT: RECTANGULAR - WALL VENT CAP | (R____)

MATERIALS: GALVANIZED, ALUMINUM & POWDER COATED

SIZES: 3.25 X 10", 3.25 X 12", 3.25 X 14" | SCREEN ONLY, DAMPER ONLY, DAMPER & SCREEN



"A Tradition of Quality Since 1937"

Artis Metals Company

MATERIAL & COLOR KEY

SPECIFY MATERIAL AFTER PART

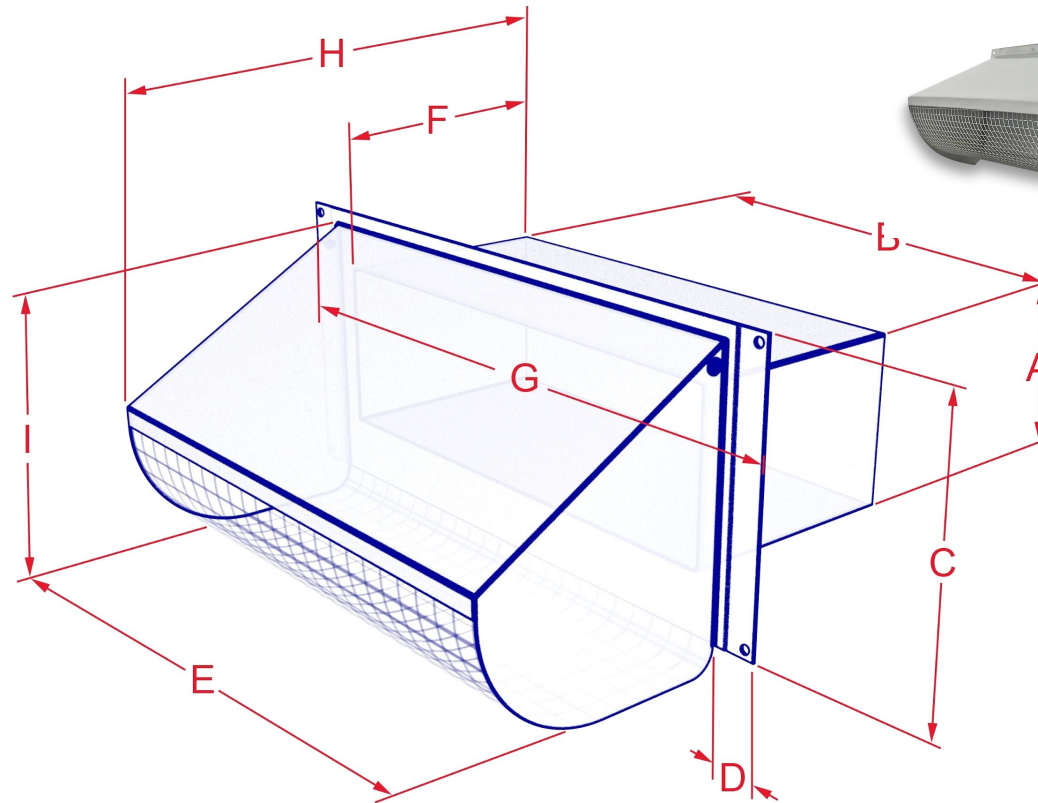
- LEAVE BLANK = GALVANIZED (R #)
- S = STAINLESS STEEL (RS #)
- A = ALUMINUM (RA #)

SPECIFY DAMPER & SCREEN OPTIONS BEFORE PART

- D = DAMPER ONLY (R__#D)
- S = SCREEN ONLY (R__#S)
- SD = DAMPER & SCREEN (R__#SD)

SPECIFY POWDER COATED COLORS AT END OF PART

- BL = BLACK (RP #BL)
- BR = BROWN (RP #BR)
- W = WHITE (RP #W)



SKU	SIZE	A	B	C	D	E	F	G	H
R__310__	3.25 X 10"	3.25	10.00	5.635	1.00	11.00	4.875	12.75	9.50
R__312__	3.25 X 12"	3.25	12.00	5.625	1.00	12.875	4.875	14.563	9.50
R__314__	3.25 X 14"	3.25	14.00	5.625	1.00	15.875	4.875	16.563	9.50



PRODUCT: WIND DIRECTIONAL CAP (WDC__)

MATERIALS: GALVANIZED & STAINLESS STEEL

SIZES: 4" - 12"



"A Tradition of Quality Since 1937"

Artis Metals Company

PRODUCT HIGHLIGHTS

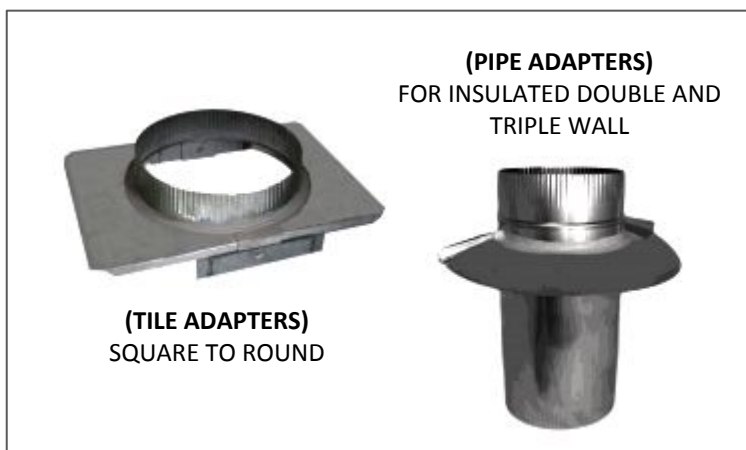
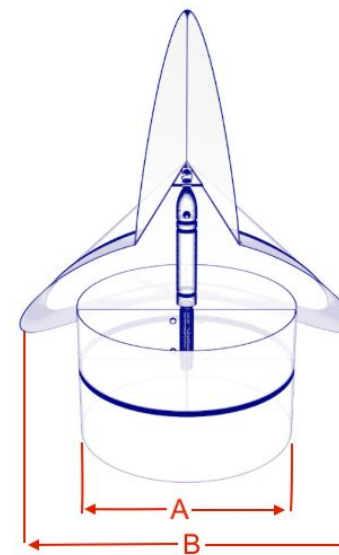
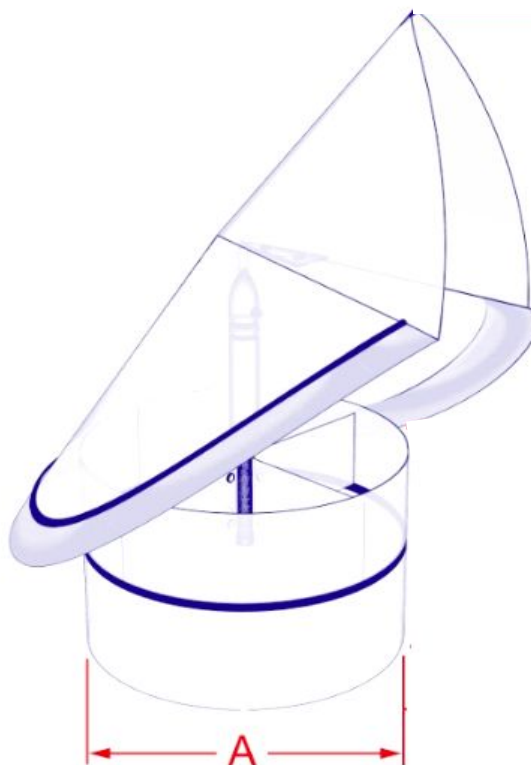
- MANUFACTURED TO FIT SINGLE & DOUBLE WALL PIPE
- CAN BE ADAPTED TO FIT TRIPLE WALL PIPE USING WIND CAP ADAPTOR
- CAN BE ADAPTED TO FIT MASONRY CHIMNEY USING ADJUSTABLE TILE ADAPTOR
- GREASE ZERK INSTALLED FOR EASY MAINTENANCE
- USES HIGH-TEMP MOLYBDENUM GREASE
- GALVANIZED (G-90)
- STAINLESS STEEL (304-2B)

MATERIAL KEY

SPECIFY MATERIAL AFTER PART

GALVANIZED = LEAVE BLANK | (WDC#)

STAINLESS STEEL = S | (WDCS#)



SKU	SIZE	A	B
WDC__4	4"	4.00	9.00
WDC__5	5"	5.00	11.00
WDC__6	6"	6.00	11.00
WDC__7	7"	7.00	13.00
WDC__8	8"	8.00	13.00
WDC__9	9"	9.00	21.25
WDC__10	10"	10.00	22.00
WDC__12	12"	12.00	23.50



PRODUCT: MASTER GRAVITY VENTILATOR (MVR__)

MATERIALS: GALVANIZED, ALUMINUM & STAINLESS STEEL

SIZES: 4" - 36"



"A Tradition of Quality Since 1937"

Artis Metals Company

PRODUCT HIGHLIGHTS

THE MASTER GRAVITY VENT IS A MULTI-PURPOSE VENTILATOR THAT SERVES AS AN EFFECTIVE RAIN CAP.

GALVANIZED STEEL (24-26 GAUGE)

ALUMINUM (.025)

STAINLESS STEEL (304-2B)

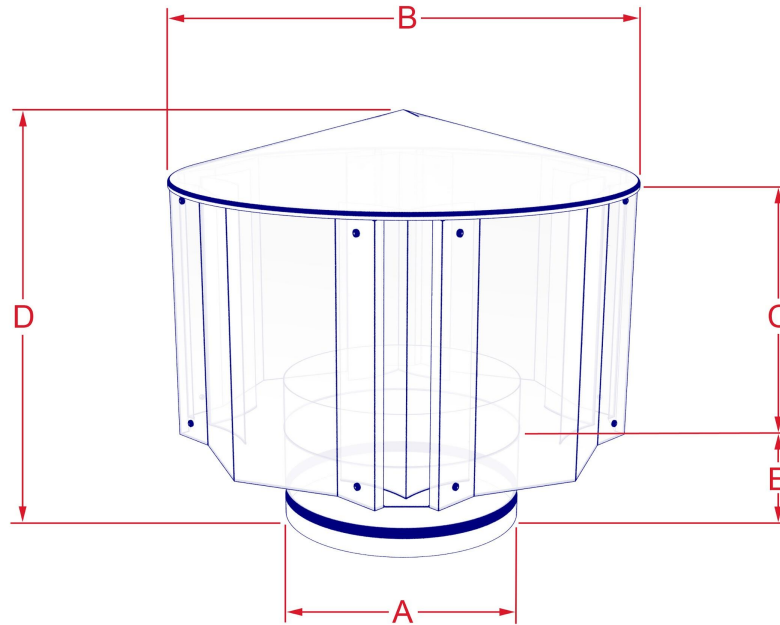
MATERIAL KEY

SPECIFY MATERIAL AFTER PART

G = GALVANIZED (MVR#**G**)

A = ALUMINUM (MVR#**A**)

S = STAINLESS STEEL (MVR#**S**)



SIZE	GALV. GAUGE	ALUM. GAUGE
4"	26.00	0.03
6"	26.00	0.03
8"	24.00	0.03
10"	24.00	0.03
12"	24.00	0.03
14"	24.00	0.03
16"	24.00	0.03
18"	24.00	0.03
20"	22.00	0.03
24"	22.00	0.03
30"	20.00	0.40
36"	20.00	0.4

SKU	SIZE	A	B	C	D	E	NECK AREA SQ. FT.	CFM
MVR4__	4"	4.00	7.00	4.50	7.125	2.00	0.09	-
MVR6__	6"	6.00	10.00	6.50	9.625	2.75	0.20	-
MVR8__	8"	8.00	13.25	8.50	12.75	3.00	0.35	153.00
MVR10__	10"	10.00	16.25	10.50	15.00	2.875	0.55	239.00
MVR12__	12"	12.00	19.50	12.50	17.25	2.875	0.79	345.00
MVR14__	14"	14.00	22.625	14.50	19.625	2.875	1.07	469.00
MVR16__	16"	16.00	25.75	16.50	21.875	2.125	1.40	613.00
MVR18__	18"	18.00	29.00	18.75	23.50	2.125	1.77	776.00
MVR20__	20"	20.00	32.25	20.75	25.875	2.125	2.18	957.00
MVR24__	24"	24.00	38.375	24.75	30.375	3.125	3.14	1379.00
MVR30__	30"	30.00	48.00	30.75	38.375	3.225	4.91	2154.00
MVR36__	36"	36.00	57.375	36.75	45.5	3.25	7.068	3102



PRODUCT: AERO-FOIL GRAVITY VENTILATOR (AFL__)

MATERIALS: GALVANIZED, ALUMINUM & STAINLESS STEEL

SIZES: 4" - 36"



"A Tradition of Quality Since 1937"

Artis Metals Company

PRODUCT HIGHLIGHTS

THE AER-FOIL GRAVITY VENT IS A MULTI-PURPOSE VENTILATOR THAT SERVES AS AN EFFECTIVE RAIN CAP.

- GALVANIZED STEEL (24-26 GAUGE)
- ALUMINUM (.025)
- STAINLESS STEEL (304-2B)
- POSITIVE EXHAUST REGARDLESS OF WIND DIRECTION
- ELIMINATES BACKDRAFT
- NO MOVING PARTS
- UNOBSTRUCTED AIR PASSAGE
- WEATHER PROTECTED

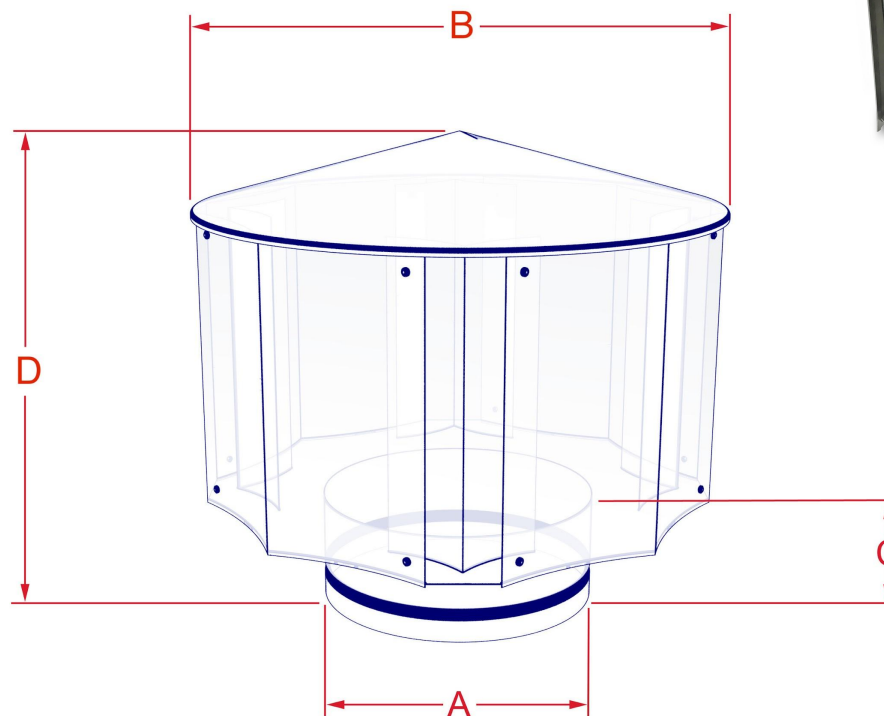
SPECIFICATION KEY

SPECIFY MATERIAL AFTER PART

G = GALVANIZED (AFL#**G**)

A = ALUMINUM (AFL#**A**)

S = STAINLESS STEEL (AFL#**S**)



SKU	SIZE	A	B	C	D
AFL4__	4"	4.00	7.00	2.00	5.00
AFL5__	5"	5.00	8.25	2.50	6.33
AFL6__	6"	6.00	9.25	2.75	8.00
AFL7__	7"	7.00	11.50	3.00	8.5
AFL8__	8"	8.00	12.50	3.25	11.00
AFL9__	9"	9.00	13.375	3.25	12.75
AFL10__	10"	10.00	15.00	2.875	16.00
AFL12__	12"	12.00	17.75	2.875	19.00

SKU	SIZE	A	B	C	D
AFL14__	14"	14.00	19.625	2.875	22.5
AFL16__	16"	16.00	21.875	2.125	25.5
AFL18__	18"	18.00	25.00	2.125	28.75
AFL20__	20"	20.00	27.5	2.125	32.00
AFL24__	24"	24.00	31.00	3.125	28.25
AFL30__	30"	30.00	38.25	3.225	48.00
AFL36__	36"	36.00	45.00	3.250	57.5

PRODUCT: GLOBE VENT (_GV_)

MATERIALS: GALVANIZED

SIZES: 4" - 24"



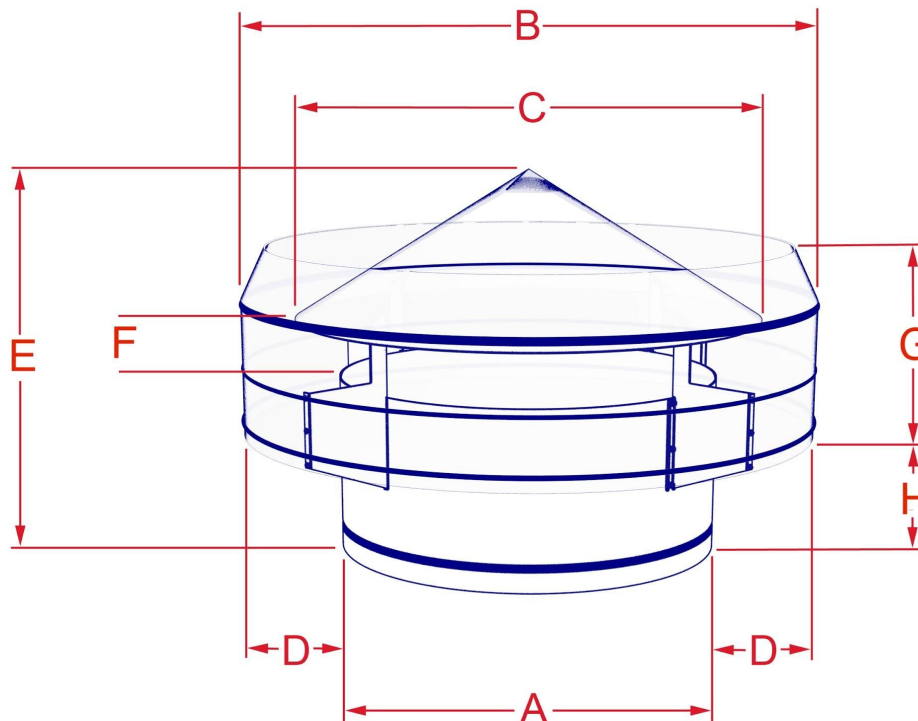
"A Tradition of Quality Since 1937"

Artis Metals Company

PRODUCT HIGHLIGHTS

THE ARTIS GLOBE VENT IS IDEAL FOR USE AS A GRAVITY VENTILATOR. IT CAN ALSO BE USED FOR FORCED EXHAUST VENTILATION.

- 1/8" INSECT SCREEN STANDARD
- GALVANIZED (G-90)



SKU	SIZE	A	B	C	D	E	F	G	H
GGV426	4"	4.00	6.00	5.00	1.00	5.00	0.50	1.75	2.50
GGV526	5"	5.00	8.00	6.50	1.50	5.50	1.00	2.50	2.50
GGV626	6"	6.00	8.50	7.50	1.25	6.50	1.50	2.25	3.50
GGV726	7"	7.00	10.00	9.00	1.50	7.50	1.50	2.50	3.75
GGV826	8"	8.00	12.00	10.00	2.00	8.00	1.75	3.00	3.75
GGV926	9"	9.00	13.00	11.00	2.00	8.50	2.25	3.00	4.00
GGV1026	10"	10.00	14.00	13.00	2.00	9.50	2.50	3.25	4.50

SKU	SIZE	A	B	C	D	E	F	G	H
GGV1226	12"	12.00	17.00	15.00	2.50	11.00	3.00	4.00	5.00
GGV1426	14"	14.00	20.00	18.00	3.00	12.50	3.00	4.50	6.00
GGV1626	16"	16.00	22.00	20.00	3.00	15.00	4.00	5.00	7.00
GGV1826	18"	18.00	26.00	23.00	4.00	16.00	4.50	5.50	7.50
GGV2026	20"	20.00	28.00	25.50	4.00	18.00	5.00	6.00	10.00
GGV2226	22"	24.00	30.00	27.00	5.00	19.00	5.50	6.50	9.50
GGV2426	24"	24.00	33.00	30.00	4.50	21.00	6.00	7.00	10.00



PRODUCT: BACKDRAFT DAMPER-BUTTERFLY DAMPER (BD__)

MATERIALS: GALVANIZED & STAINLESS STEEL

SIZES: 3" - 24"



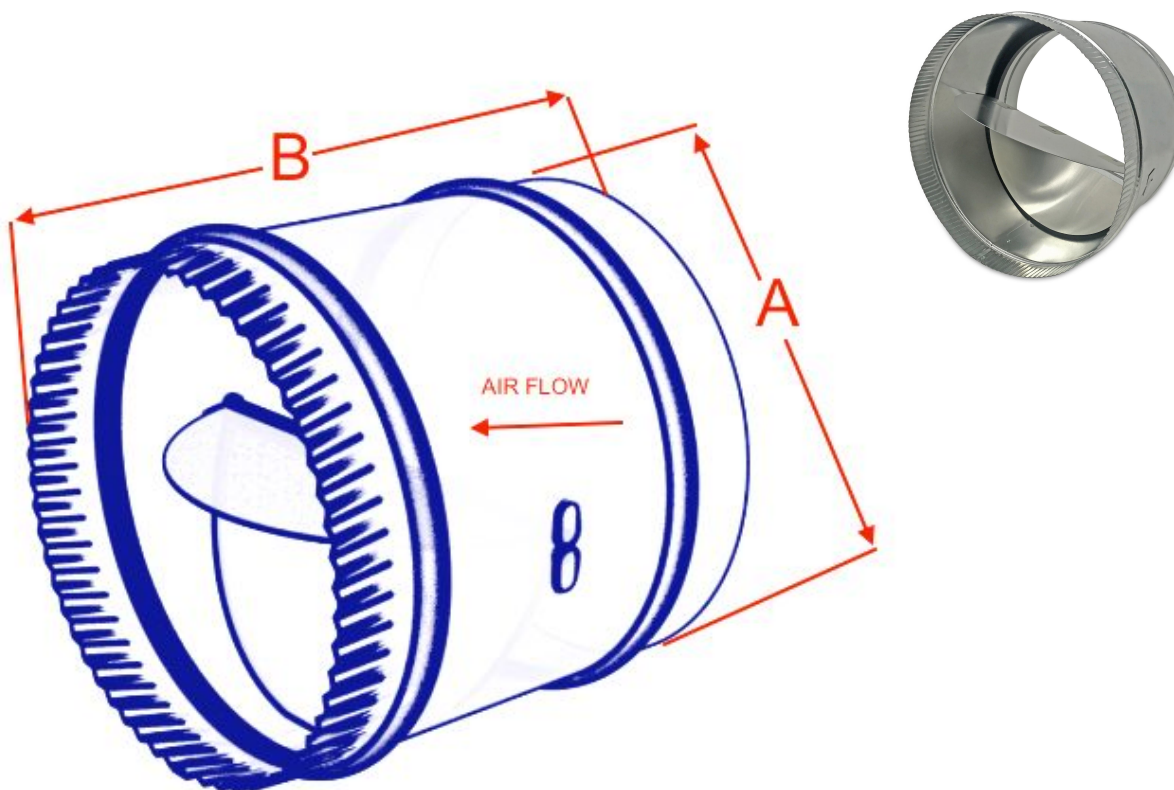
"A Tradition of Quality Since 1937"

Artis Metals Company

PRODUCT HIGHLIGHTS

THE ARTIS BACKDRAFT DAMPER, ALSO REFERRED TO AS BUTTERFLY DAMPER IS IDEAL FOR USE AS AN INLINE BACKDRAFT DAMPER FOR INTAKE OR EXHAUST APPLICATIONS

- VERTICAL OR HORIZONTAL INSTALLATION
- INTAKE OR EXHAUST
- CLOSED CELL FOAM TAPE FOR SECURE SEAL
- GALVANIZED (G-90)



SKU	SIZE	A	B
BD 3	3"	3.00	5.00
BD 4	4"	4.00	6.00
BD 5	5"	5.00	6.00
BD 6	6"	6.00	6.00
BD 7	7"	7.00	7.00
BD 8	8"	8.00	8.00
BD 9	9"	9.00	8.00

SKU	SIZE	A	B
BD 10	10"	10.00	8.00
BD 12	12"	12.00	9.00
BD 14	14"	14.00	12.00
BD 16	16"	16.00	14.00
BD 18	18"	18.00	16.00
BD 20	20"	20.00	18.00
BD 24	24"	24.00	22.00



PRODUCT: VACUUM CAP (__ VC __)

MATERIALS: GALVANIZED, STAINLESS STEEL & ALUMINUM

SIZES: 3" - 20"



"A Tradition of Quality Since 1937"

Artis Metals Company

PRODUCT HIGHLIGHTS

- IDEAL FOR GAS OIL, COAL & WOOD BURNING APPLICATIONS
- FITS SINGLE WALL OR INSULATED PIPE
- ADJUSTABLE DRAW BOLT FOR PROPER FIT
- STATIONARY CAP
- ALUMINUM (H3003)
- STAINLESS STEEL (304-2B)
- GALVANIZED (G-90)

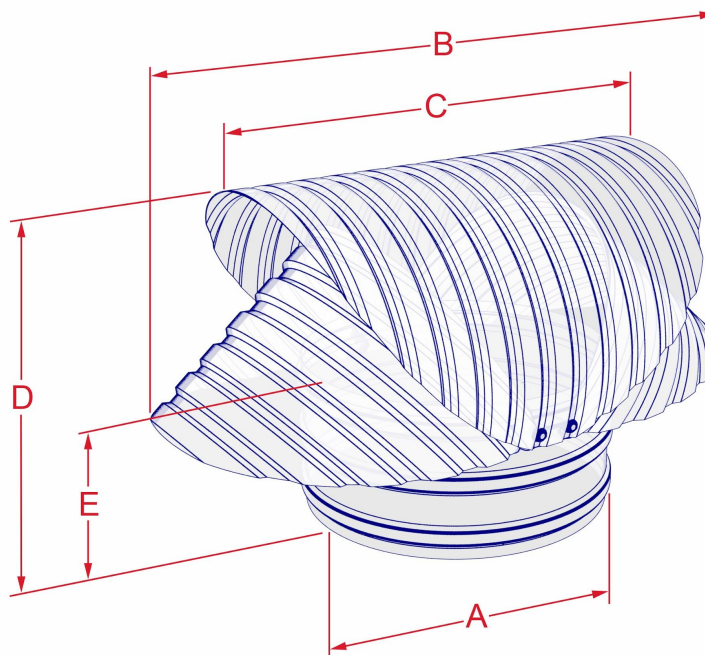
MATERIAL KEY

SPECIFY MATERIAL BEFORE PART

G = GALVANIZED (**G**VVC#)

S = STAINLESS STEEL (**S**VVC#)

A = ALUMINUM (**A**VVC#)



SKU	SIZE	A	B	C	D	E
__VC3	3"	3.00	6.25	4.50	5.00	2.75
__VC4	4"	4.00	8.50	5.25	6.25	3.00
__VC5	5"	5.00	9.00	7.5	8.25	3.00
__VC6	6"	6.00	11.50	9.50	9.75	3.75
__VC7	7"	7.00	13.25	11.25	9.75	4.00
__VC8	8"	8.00	16.00	11.75	9.25	4.00
__VC9	9"	9.00	17.00	13.5	11.25	4.00
__VC10	10"	10.00	20.00	16.75	12.75	4.75
__VC12	12"	12.00	23.00	17.50	12.75	5.00
__VC14	14"	14.00	25.00	21.75	12.75	5.00
__VC16	16"	16.00	30.25	23.5	18.00	7.75
__VC18	18"	18.00	31.5	26.75	17.5	7.5



PRODUCT: CONE TOP CAP (CT)

MATERIALS: GALVANIZED & STAINLESS STEEL

SIZES: 3" - 16"



"A Tradition of Quality Since 1937"

Artis Metals Company

PRODUCT HIGHLIGHTS

THE ARTIS CONE TOP CAP IS FOR USE AS AN ALL-WEATHER CAP TO KEEP RAIN AND SNOW FROM LEAKING INTO CHIMNEY PIPE AS WELL AS FOR VENTILATION. CONVENIENT DRAWBOLT INSTALLATION FOR SECURE FIT UP TO SIZE 16", 18" & UP, BUILT TO FIT.

- KEEPS RAIN & SNOW OUT
- STANDARD IS WITHOUT SCREEN
- 1/2", 1/4", OR 1/8" SCREEN AVAILABLE BY REQUEST
- GALVANIZED (G-90)
- STAINLESS STEEL (304-2B)

SPECIFICATION KEY

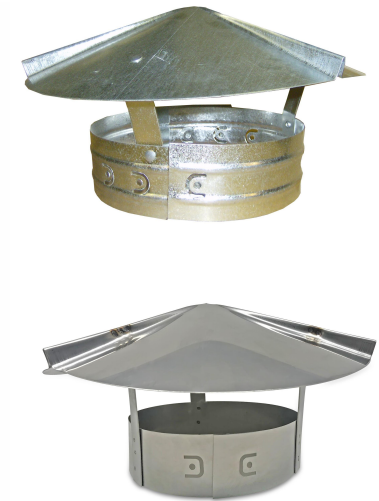
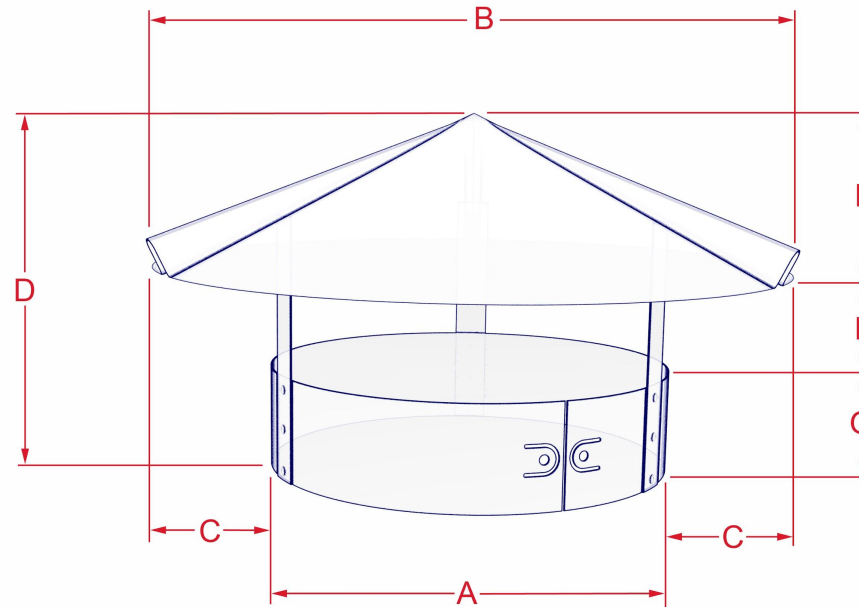
SPECIFY MATERIAL AFTER PART

G = GALVANIZED (GCT#)

SS = STAINLESS STEEL (SCT#)

AVAILABLE UP TO 24"

(CALL FOR MORE INFO)



SKU	SIZE	A	B	C	D	E	F	G
CT3	3"	3.00	6.50	1.50	4.25	2.50	1.00	2.00
CT4	4"	4.00	7.50	1.75	5.75	2.50	1.25	2.00
CT5	5"	5.00	8.75	1.75	5.75	2.50	1.25	2.00
CT6	6"	6.00	10.25	2.00	6.50	3.00	1.50	2.00
CT7	7"	7.00	11.50	2.00	6.50	2.75	1.75	2.00
CT8	8"	8.00	12.50	2.25	7.00	3.00	2.00	2.00
CT9	9"	9.00	14.00	2.50	7.75	3.25	2.50	2.00
CT10	10"	10.00	15.00	2.75	8.50	3.50	3.00	2.00
CT12	12"	12.00	18.00	3.00	10.00	4.00	4.00	2.00
CT14	14"	14.00	21.00	3.50	10.00	4.00	4.00	2.00
CT16	16"	16.00	21.50	3.75	10.00	4.25	3.75	3.00



PRODUCT: CONE TOP CAP (CCT__)

MATERIALS: COPPER

SIZES: 3" - 16"



"A Tradition of Quality Since 1937"

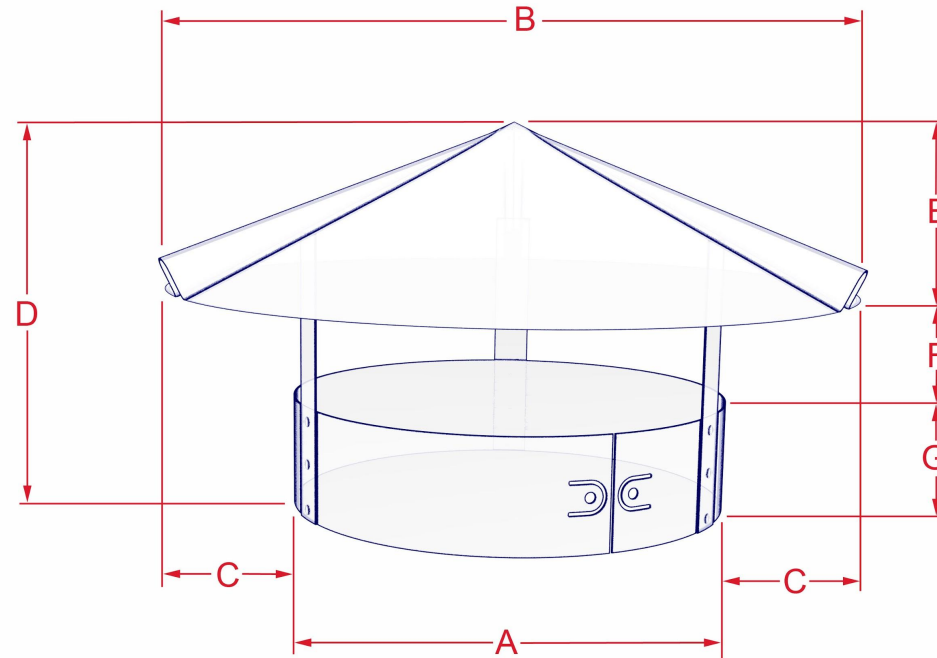
Artis Metals Company

PRODUCT HIGHLIGHTS

THE ARTIS CONE TOP CAP IS FOR USE AS AN ALL-WEATHER CAP TO KEEP RAIN AND SNOW FROM LEAKING INTO CHIMNEY PIPE AS WELL AS FOR VENTILATION. CONVENIENT DRAWBOLT INSTALLATION FOR SECURE FIT UP TO SIZE 16", 18" & UP, BUILT TO FIT.

- KEEPS RAIN & SNOW OUT
- STANDARD IS WITHOUT SCREEN
- SCREEN SIZES AVAILABLE BY REQUEST (1/2", 1/4", OR 1/8")

AVAILABLE UP TO 24"
(CALL FOR MORE INFO)



SKU	SIZE	A	B	C	D	E	F	G
CCT3	3"	3.00	6.50	1.50	4.25	2.50	1.00	2.00
CCT4	4"	4.00	7.50	1.75	5.75	2.50	1.25	2.00
CCT5	5"	5.00	8.75	1.75	5.75	2.50	1.25	2.00
CCT6	6"	6.00	10.25	2.00	6.50	3.00	1.50	2.00
CCT7	7"	7.00	11.50	2.00	6.50	2.75	1.75	2.00
CCT8	8"	8.00	12.50	2.25	7.00	3.00	2.00	2.00
CCT9	9"	9.00	14.00	2.50	7.75	3.25	2.50	2.00
CCT10	10"	10.00	15.00	2.75	8.50	3.50	3.00	2.00
CCT12	12"	12.00	18.00	3.00	10.00	4.00	4.00	2.00
CCT14	14"	14.00	21.00	3.50	10.00	4.00	4.00	2.00
CCT16	16"	16.00	21.50	3.75	10.00	4.25	3.75	3.00



PRODUCT: ROOF MOUNT EXHAUST VENT (RDV___)

MATERIALS: GALVANIZED & ALUMINUM

SIZES: 4" - 10"



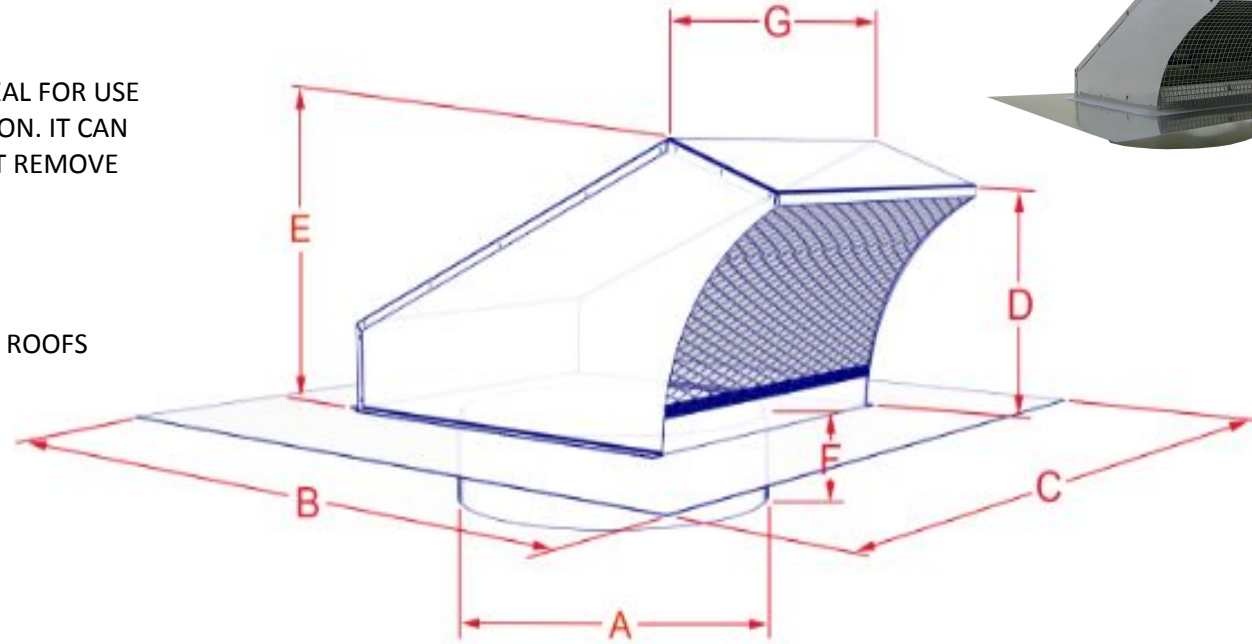
"A Tradition of Quality Since 1937"

Artis Metals Company

PRODUCT HIGHLIGHTS

THE ARTIS ROOF MOUNT EXHAUST VENT IS IDEAL FOR USE AS BATHROOM AND RANGE HOOD VENTILATION. IT CAN ALSO BE USED AS DRYER VENTILATION, MUST REMOVE SCREEN.

- LOW SILHOUETTE
- WITH OR WITHOUT DAMPER
- NOT RECOMMENDED FOR USE ON FLAT ROOFS
- 1/4" 1/8" SCREEN AVAILABLE
- INTAKE OR EXHAUST VENTING
- GALVANIZED (G-90)
- ALUMINUM (H3003)



SPECIFICATION KEY

SPECIFY MATERIAL AFTER PART

G = GALVANIZED (RDV**G**#)

A = ALUMINUM (RDV**A**#)

SKU	SIZE	A (COLLAR SIZE)	B	C	D	E	F	G
RDV__4	4"	4.00	13.50	13.50	3.875	4.50	2.00	5.50
RDV__5	5"	5.00	13.50	13.50	3.875	4.50	2.00	5.50
RDV__6	6"	6.00	17.00	17.00	5.125	6.125	2.00	8.50
RDV__7	7"	7.00	17.00	17.00	5.125	6.125	2.00	8.50
RDV__8	8"	8.00	17.00	17.00	5.125	6.125	2.00	8.50
RDV__9	9"	9.00	20.00	20.00	5.25	6.125	2.00	11.25
RDV__10	10"	10.00	20.00	20.00	5.25	6.125	2.00	11.25



PRODUCT: COPPER ROOF MOUNT EXHAUST VENT (RDVC__)

MATERIALS: COPPER

SIZES: 4" - 10"



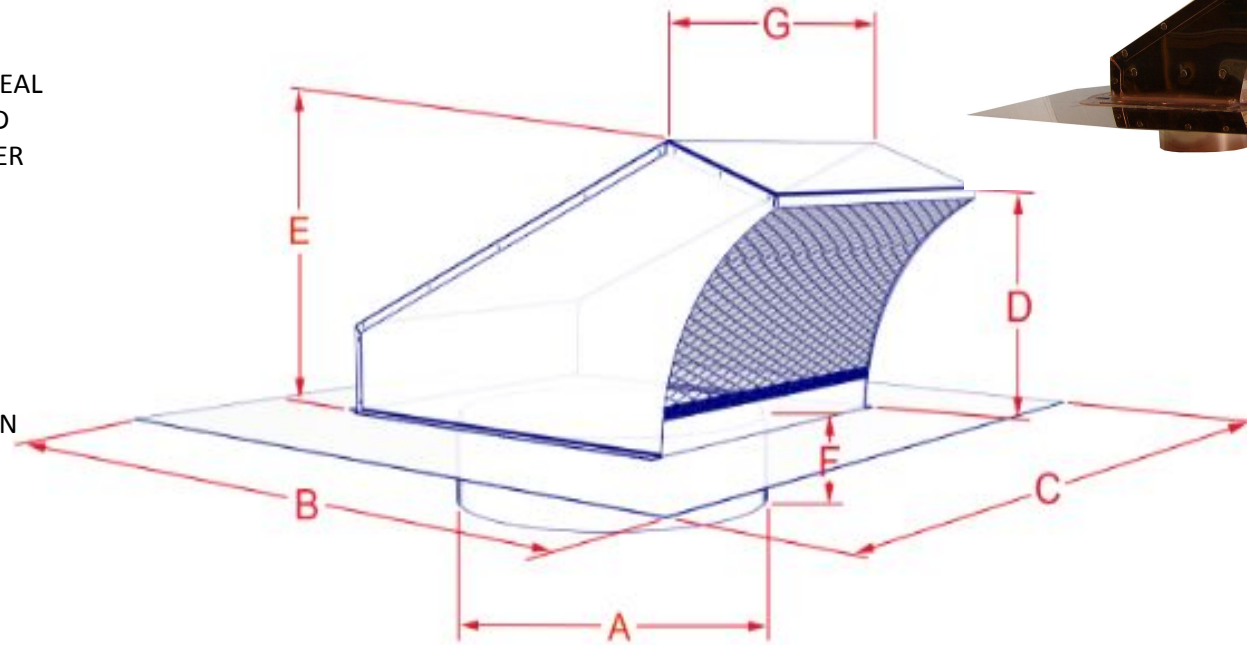
"A Tradition of Quality Since 1937"

® *Artis Metals Company*

PRODUCT HIGHLIGHTS

THE ARTIS ROOF MOUNT EXHAUST VENT IS IDEAL FOR USE AS BATHROOM AND RANGE HOOD VENTILATION. IT CAN ALSO BE USED AS DRYER VENTILATION, MUST REMOVE SCREEN.

- LOW SILHOUETTE
- WITH OR WITHOUT DAMPER
- 1/4" COPPER SCREEN
- INTAKE OR EXHAUST VENTING
- AESTHETICALLY PLEASING COPPER DESIGN
- NOT RECOMMENDED FOR USE ON FLAT ROOFS



COPPER	SIZE	A (COLLAR SIZE)	B	C	D	E	F	G
RDVC4	4"	4	13.50	13.50	3.875	4.50	2.00	5.50
RDVC6	6"	6	17.00	17.00	5.125	6.125	2.00	8.50
RDVC8	8"	8	17.00	17.00	5.125	6.125	2.00	8.50
RDVC10	10"	10	20.00	20.00	5.25	6.125	2.00	11.25



PRODUCT: TAPERED REDUCER (THREE PIECES) | (TR__)

MATERIALS: GALVANIZED & ALUMINUM

SIZES: 4" - 12"



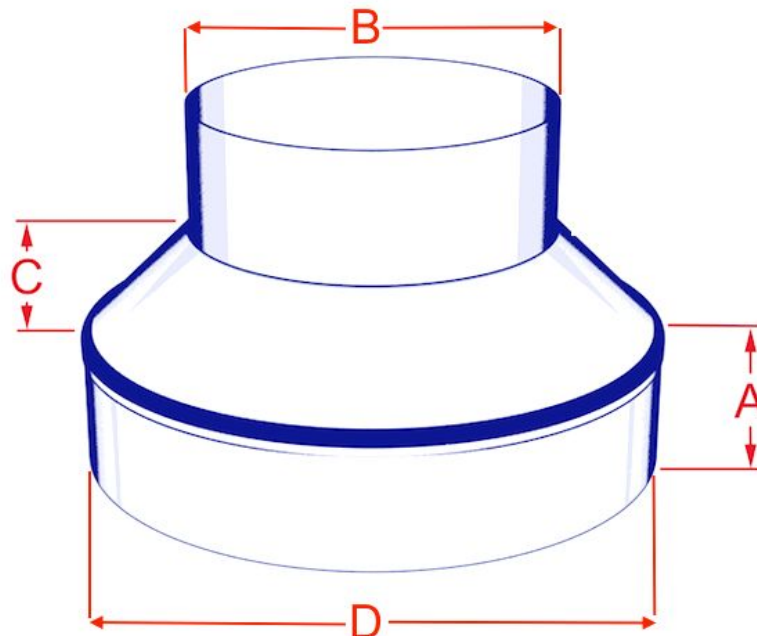
"A Tradition of Quality Since 1937"

® *Artis Metals Company*

PRODUCT HIGHLIGHTS

DESIGNED TO REDUCE DUCT SIZE IN A TAPERED TRANSITION.

- FOR DUCTWORK OR STOVEPIPE
- 3 PIECE 26 GAUGE CONSTRUCTION
- NO CRIMPS
- AVAILABLE IN MANY SIZES
- ALUMINUM (.025)
- GALVANIZED (R90 26GA)



SKU	A	B	C	D	SKU	A	B	C	D	SKU	A	B	C	D
TR4X3	1.75	3.00	7.50	4.00	TR7X4	1.75	4.00	8.50	7.00	TR9X5	1.75	5.00	10.00	9.00
TR5X3	1.75	3.00	8.25	5.00	TR8X7	1.75	7.00	7.75	8.00	TR10X9	1.75	9.00	7.75	10.00
TR5X4	1.75	4.00	7.25	5.00	TR8X6	1.75	6.00	8.25	8.00	TR10X8	1.75	8.00	8.50	10.00
TR6X5	1.75	5.00	7.75	6.00	TR8X5	1.75	5.00	8.50	8.00	TR10X7	1.75	7.00	8.50	10.00
TR6X4	1.75	4.00	8.25	6.00	TR8X4	1.75	4.00	9.25	8.00	TR10X6	1.75	6.00	9.25	10.00
TR6X3	1.75	3.00	8.75	6.00	TR9X8	1.75	8.00	7.50	9.00	TR12X10	1.75	10.00	8.25	12.00
TR7X6	1.75	6.00	8.50	7.00	TR9X7	1.75	7.00	8.25	9.00	TR12X9	1.75	9.00	8.75	12.00
TR7X5	1.75	5.00	8.25	7.00	TR9X6	1.75	6.00	9.25	9.00	TR12X8	1.75	8.00	9.25	12.00



PRODUCT: TAPERED REDUCER (THREE PIECES) | (TR_)

MATERIALS: GALVANIZED & ALUMINUM

SIZES: 14" - 22"



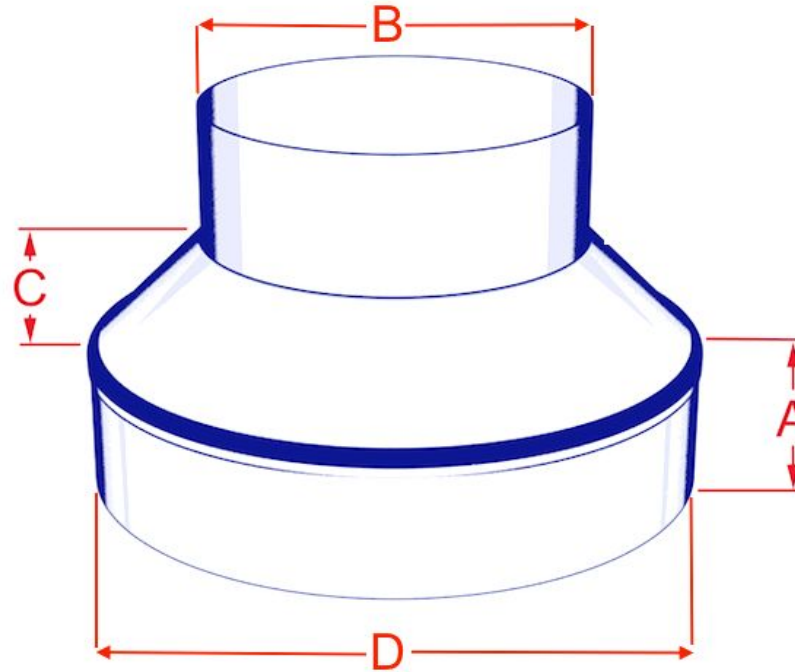
"A Tradition of Quality Since 1937"

Artis Metals Company

PRODUCT HIGHLIGHTS

DESIGNED TO REDUCE DUCT SIZE IN A TAPERED TRANSITION.

- FOR DUCTWORK OR STOVEPIPE
- 3 PIECE 26 GAUGE CONSTRUCTION
- NO CRIMPS
- AVAILABLE IN MANY SIZES
- ALUMINUM (.025)
- GALVANIZED (R90 26GA)



SKU	A	B	C	D	SKU	A	B	C	D	SKU	A	B	C	D
TR14X10	1.75	10.00	9.25	14.00	TR18X14	1.75	14.00	9.00	18.00	TR20X16	1.75	16.00	9.25	20.00
TR14X12	1.75	12.00	8.25	14.00	TR18X16	1.75	16.00	8.25	18.00	TR20X18	1.75	18.00	8.00	20.00
TR16X10	1.75	10.00	9.50	16.00	TR20X12	1.75	12.00	10.00	20.00	TR22X16	1.75	16.00	10.25	22.00
TR16X14	1.75	14.00	8.25	16.00	TR20X14	1.75	14.00	9.25	20.00	TR22X18	1.75	18.00	9.25	22.00
TR18X10	1.75	14.00	10.00	18.00	TR18X12	1.75	12.00	10.00	18.00	TR22X20	1.75	20.00	8.25	22.00



PRODUCT: ROOF BASE - FLAT | (FB__)

MATERIALS: GALVANIZED

SIZES: 4" - 30"



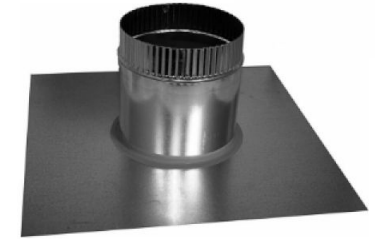
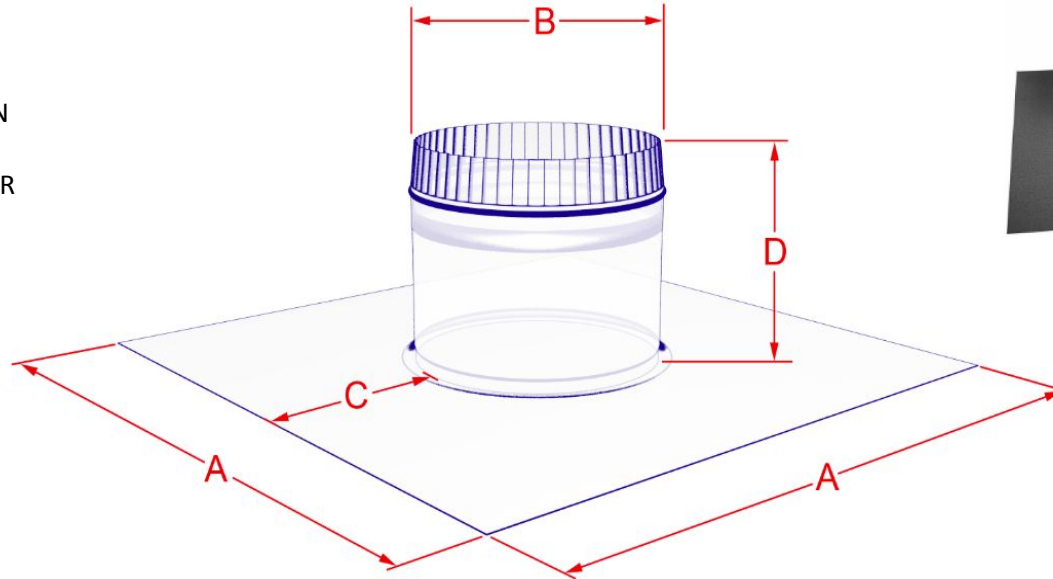
"A Tradition of Quality Since 1937"

Artis Metals Company

PRODUCT HIGHLIGHTS

THE ARTIS FLAT BASE IS DESIGNED FOR USE ON FLAT ROOFS AND CAN BE USED WITH ARTIS ROOF VENTILATORS OR CHIMNEY CAPS. COLLAR IS CRIMPED AT THE TOP FOR EASE OF CAP INSTALLATION.

- FOR USE WITH ROTARY OR STATIONARY VENTILATORS
- FOR USE WITH FLAT ROOFS
- LARGE BASE FLANGE
- TOP OF COLLAR CRIMPED FOR EASY ASSEMBLY
- CURB MOUNT AVAILABLE WITH CUSTOMER DIMENSIONS
- GALVANIZED (G-90)



SKU	SIZE	A	B	C	D
FB3	3"	12.00	3.00	4.50	3.00
FB4	4"	12.00	4.00	4.00	4.00
FB5	5"	15.00	5.00	5.00	5.00
FB6	6"	15.00	6.00	4.50	6.00
FB7	7"	16.00	7.00	4.50	7.00
FB8	8"	16.00	8.00	4.00	8.00
FB10	10"	18.00	10.00	4.00	10.00

SKU	SIZE	A	B	C	D
FB12	12"	20.00	12.00	4.00	10.00
FB14	14"	22.00	14.00	4.00	10.00
FB16	16"	24.00	16.00	4.00	12.00
FB18	18"	26.00	18.00	4.00	12.00
FB20	20"	28.00	20.00	4.00	12.00
FB22	22"	30.00	22.00	4.00	16.00
FB24	24"	32.00	24.00	4.00	18.00
FB30	30"	40.00	30.00	5.00	20.00

