

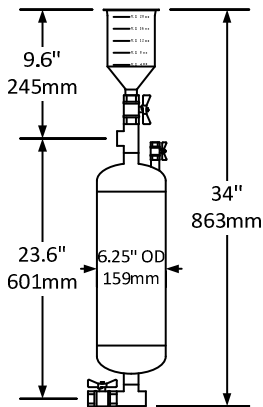


INDUSTRIES LIMITED

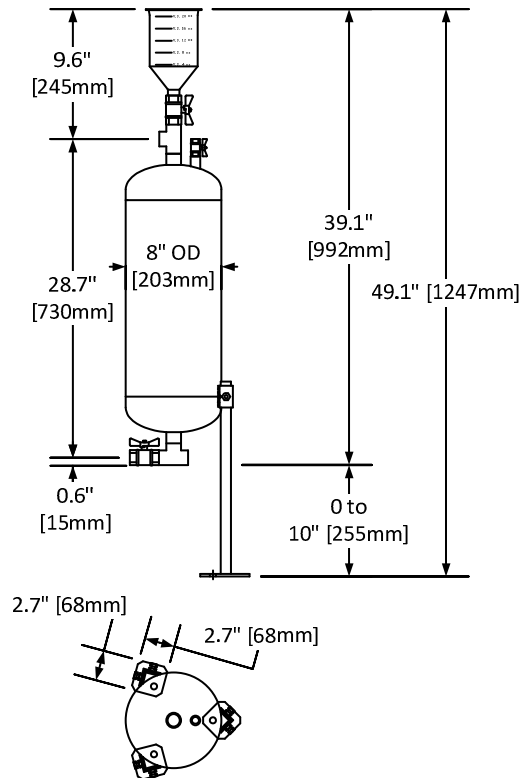
	Model	Size	Pressure Vessel Volume	Max Pressure
<input type="checkbox"/>	CBF-2	¾"	2 gal (7.6L)	165psi (1.14MPa)
<input type="checkbox"/>	CBF-5	¾"	5 gal (18.9L)	165psi (1.14MPa)
<input type="checkbox"/>	CBF-2-HP	¾"	2 gal (7.6L)	300psi (2.07MPa)
<input type="checkbox"/>	CBF-5-HP	¾"	5 gal (18.9L)	300psi (2.07MPa)

SPECIFICATION

Chemical By-Pass Feeder shall be AXIOM INDUSTRIES LTD. model CBF-_____. System shall include carbon steel chemical by-pass feeder, two ¾" NPT carbon steel tees, four ¾" NPT carbon steel nipples, two ¾" NPT brass ball valves , 1/4" NPT brass ball valve, and 20 US oz.(600 mL) polyethylene graduated funnel with integral 20 mesh strainer, and ¾" NPT connection. The CBF series pot feeder is not for use with potable water. Model CBF-5 series comes with three 17.6" (44.7cm) long adjustable steel legs.



CBF-2 and CBF-2-HP



CBF-5 and CBF-5-HP

ACCESSORIES

- CBF-B** – Wall mount Bracket for the CBF-2

LIMITED WARRANTY

The Axiom CBF Chemical By-Pass Feeder is warranted against defects in materials and workmanship for one year.

Project _____ Location _____

Consultant _____ Contractor _____

Unit Tag _____ Sales Agent _____