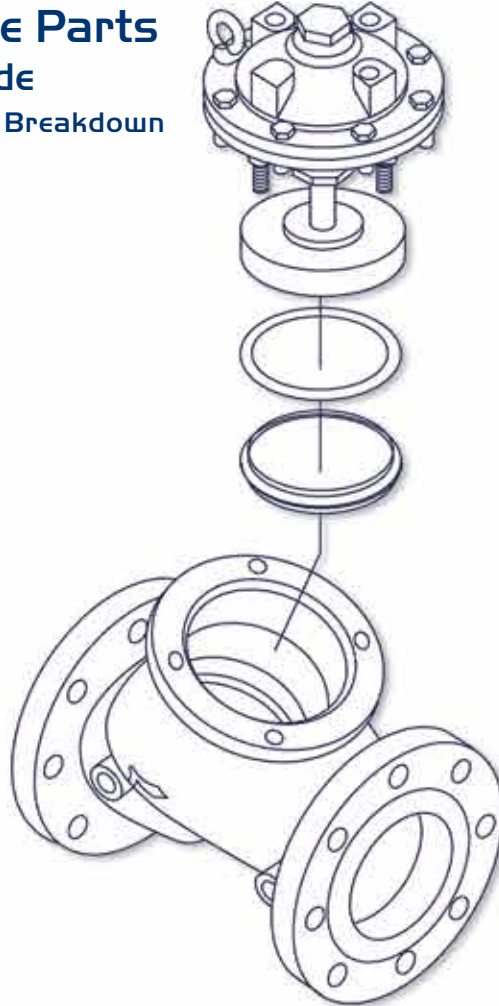


Spare Parts

**WW - Spare Parts
Ordering Guide**
Illustrated Parts Breakdown



WW - Spare Parts - Ordering Guide

Illustrated Parts Breakdown


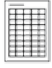












July 2011

Water Control Solutions





BERMAD WW Spare Parts

Contents		Page
	Ordering Guide Example	ii
	Ordering Form	iii
	400 Series Basic Control Valves	13a-13c
	WD 900 Series Hydrometers and Automatic Metering Valves	15d- 17d
	PC Series Mini Pilot Valves	33, 37a
	700 Series Diaphragm Actuated Basic Control Valves	
	700 EN Series Diaphragm Actuated Basic Control Valves	38-41b
	700 ES Series Diaphragm Actuated Basic Control Valves	
	Model 73Q Pressure Relief Valves - Quick Type	42
	7000 Series Piston Actuated Large Control Valve	43
	Pilots	44-54
	70F Series Strainers	55
	70N Series Check Valves	56
	700-M6 Series Diaphragm Actuated Large Control Valve	57, 57a, 57b
	800 Series Piston Actuated basic Control Valves	58-59a
	Accessories	60



BERMAD WW Spare Parts

Ordering Guide Example

Please Indicate:

1. Page No.
2. Valve series
3. Valve size
4. Part No.
5. Part name
6. Quantity
7. Remarks (Spring color, special material, etc.)

Page No.	Valve series	Valve size	Part No.	Part name	Qty	Remarks (Spring color, special material etc.)
10a	350	3"x3"	30	O-Ring	2	
16a	900	4"	13	Diaphragm	4	

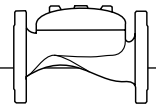
Example

To Order:

1. Make a copy of the Ordering Form (next page).
 2. Fill out your order details
- or
1. Make a copy of the article page and circle the required parts.
 2. Mention size and quantity
- and
3. Send by email to info@bermad.com.



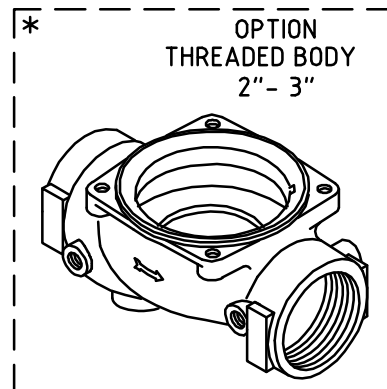
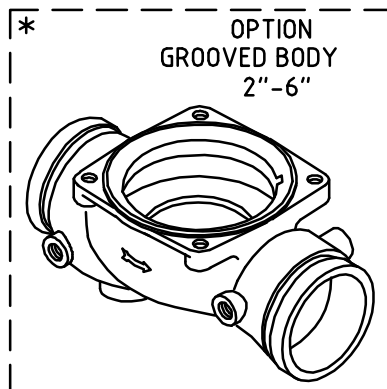
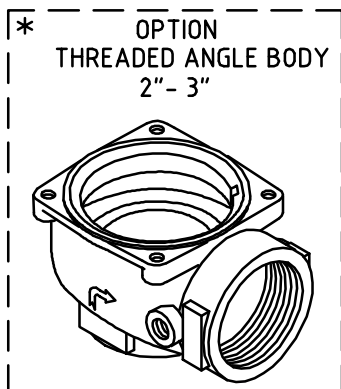
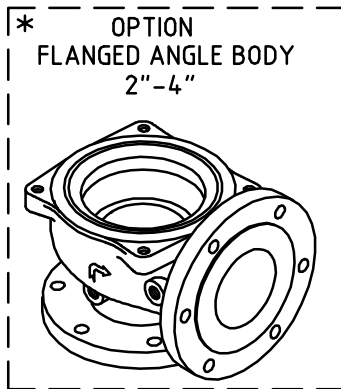
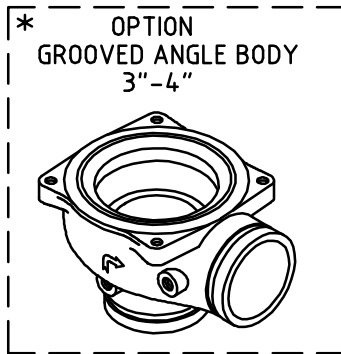
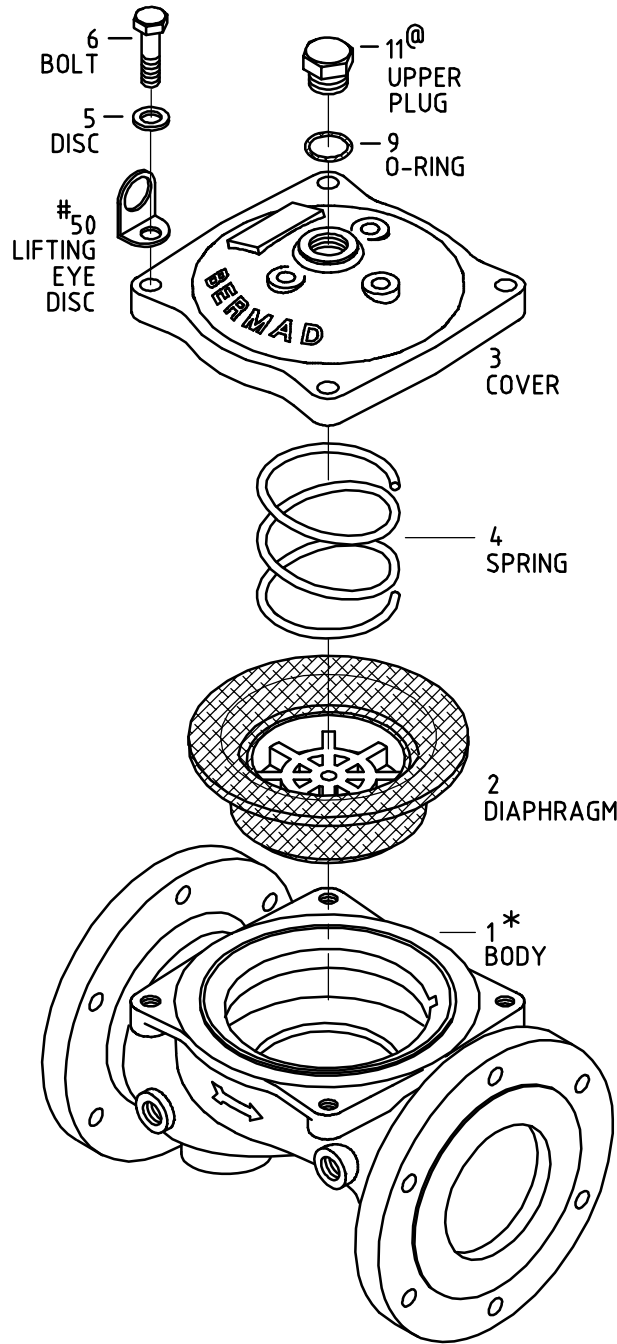
BERMAD WW Spare Parts



400 Series

Basic Control Valves for Waterworks (WW)

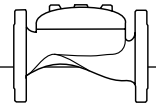
Size 2"-10"



- FOR 4" - 10" ONLY
 @ - OPTIONS (SEE PAGE 13a)



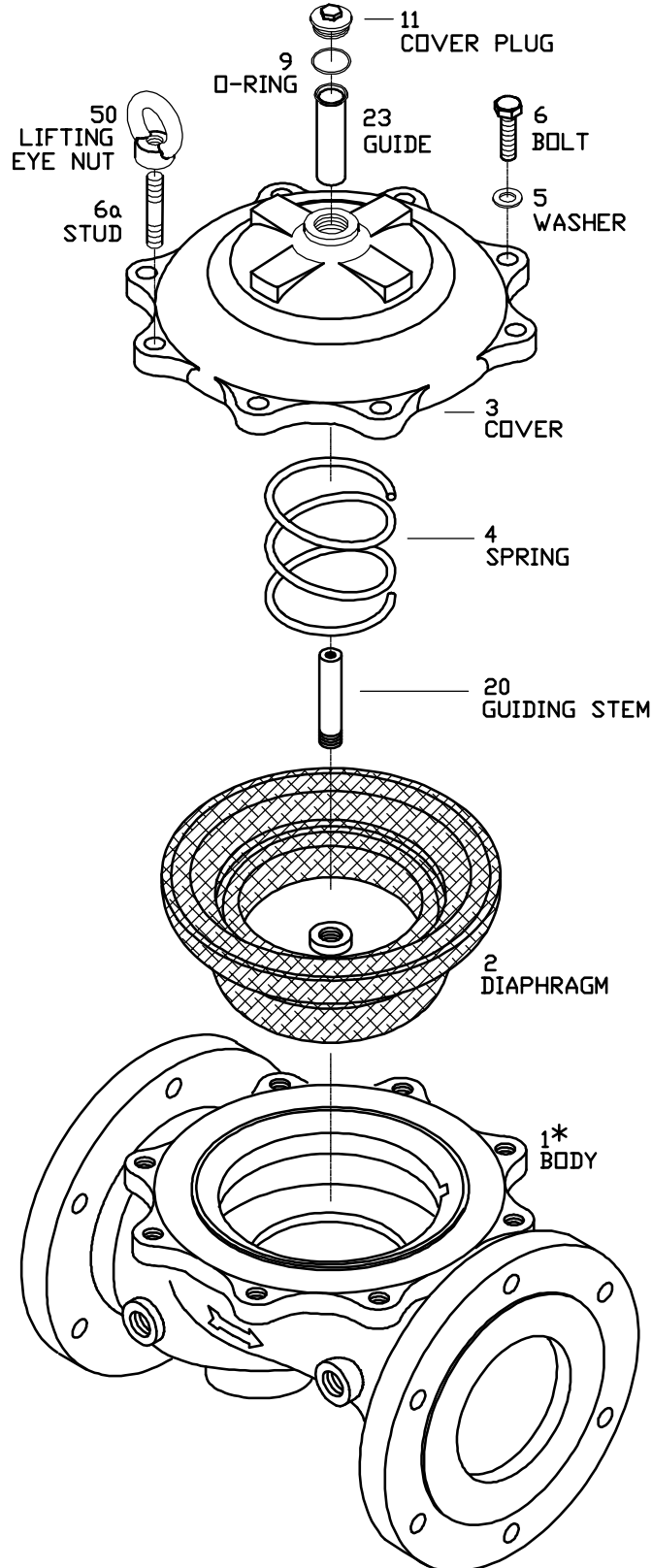
BERMAD WW Spare Parts

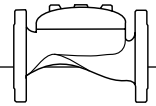


400 Series

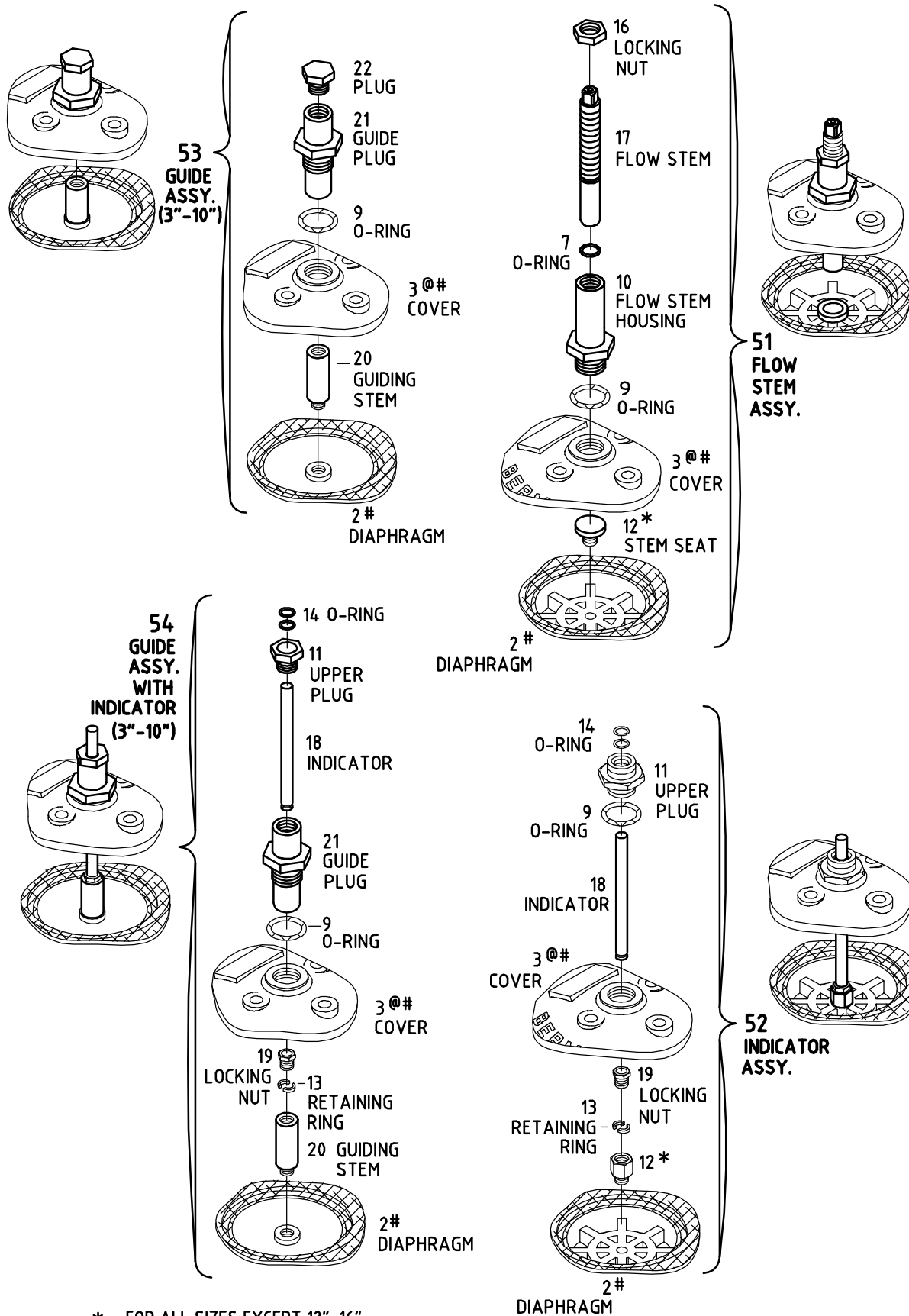
Basic Control Vales (WW & IR)

Size 12" & 16"

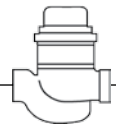




Accessories

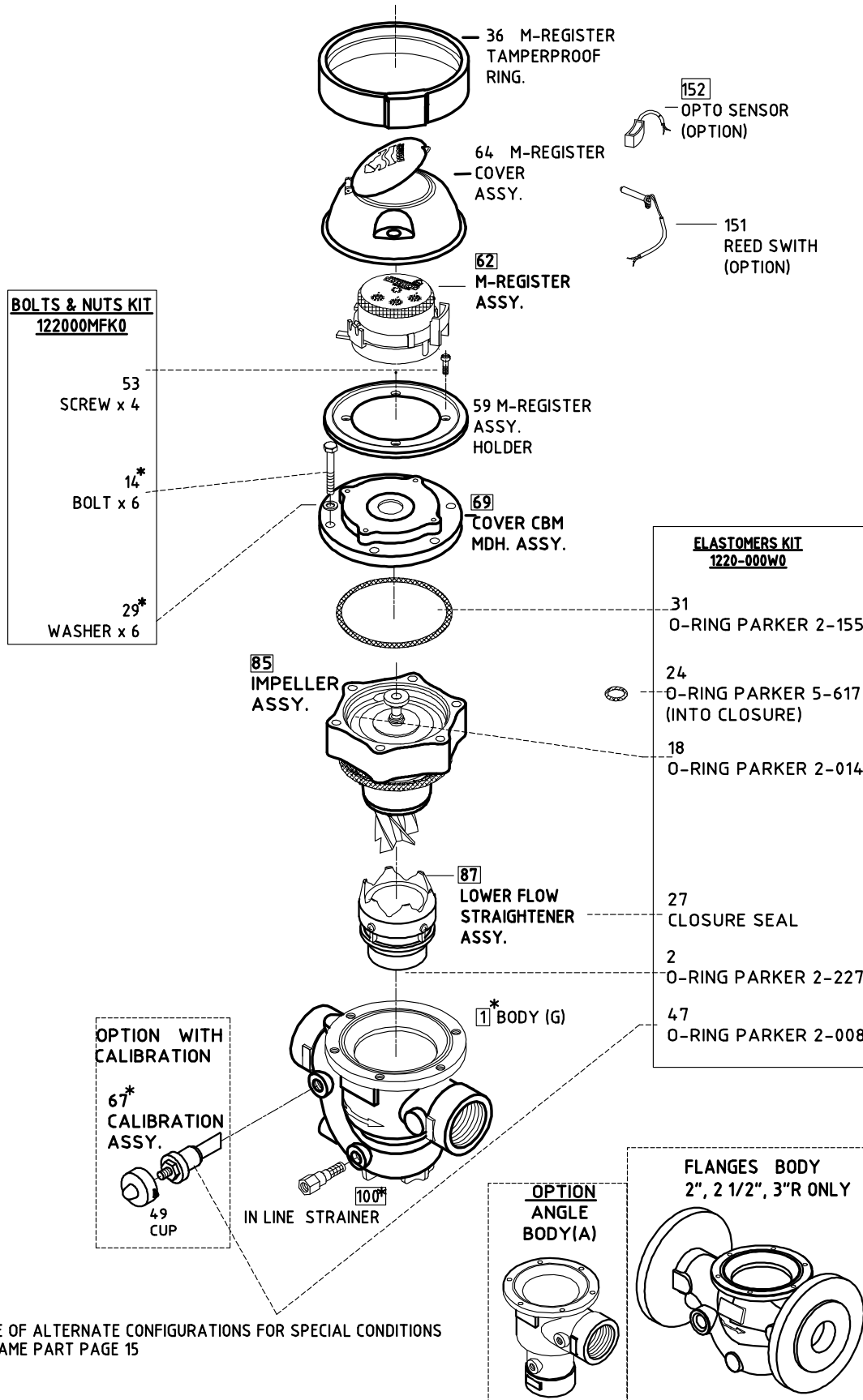


* - FOR ALL SIZES EXCEPT 12", 16"
 @ - USE PART PAGE 13a
 # - NOT INCLUDED IN THE ASSEMBLY

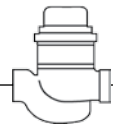


CBM – Hydrometers with M-Register & V-Port

Sizes: 1 1/2", 2", 2 1/2" & 3"R

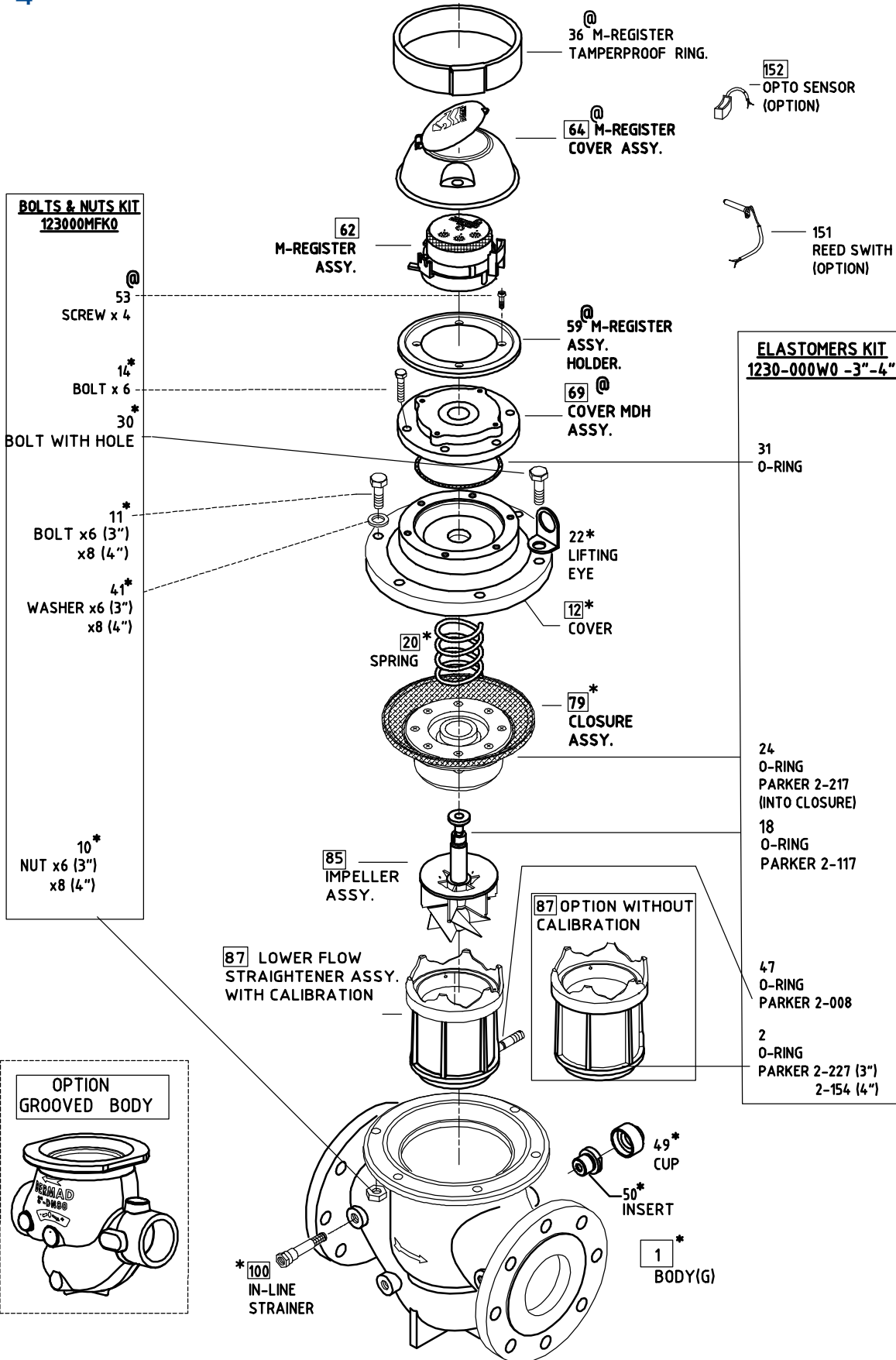


□ - RANGE OF ALTERNATE CONFIGURATIONS FOR SPECIAL CONDITIONS
* - USE SAME PART PAGE 15



CBM – Hydrometers with M-Register & V-Port

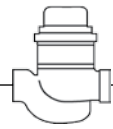
Sizes: 3" - 4"



□ - RANGE OF ALTERNATE CONFIGURATIONS FOR SPECIAL CONDITIONS

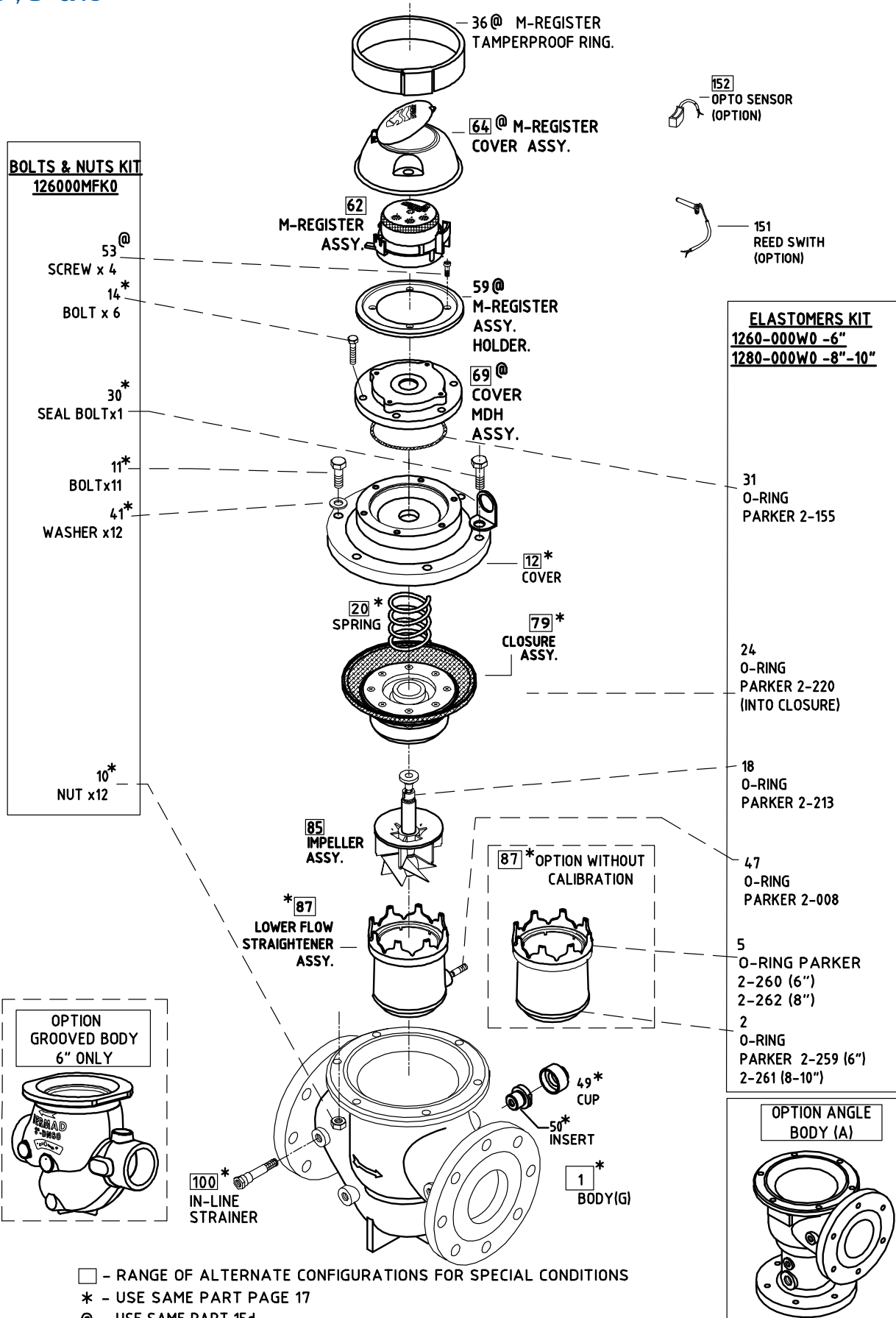
@ - USE SAME PART PAGE 15d

* - USE SAME PART PAGE 16

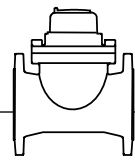


CBM – Hydrometers with M-Register & V-Port

Sizes: 6", 8" & 10"

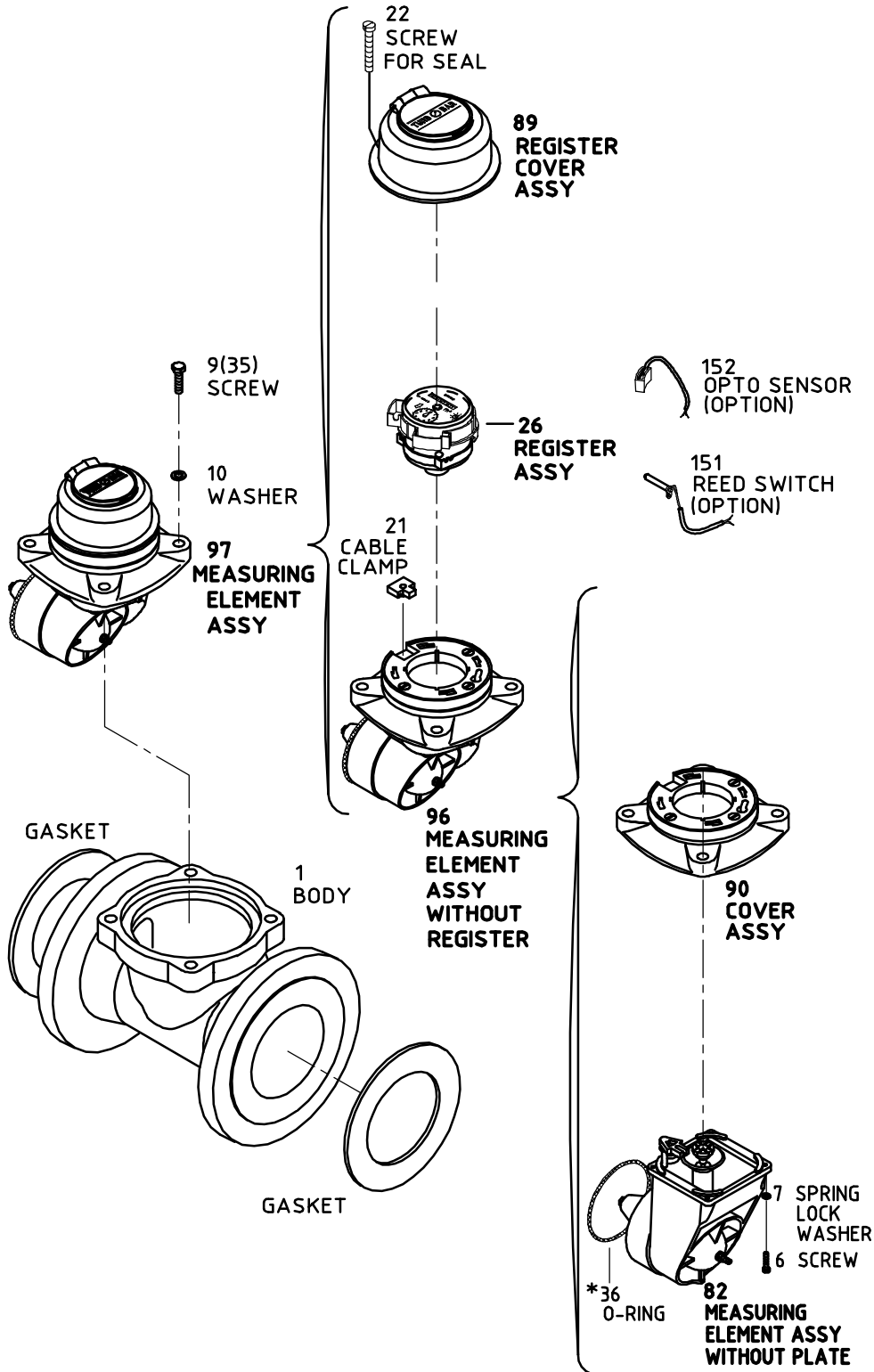


□ - RANGE OF ALTERNATE CONFIGURATIONS FOR SPECIAL CONDITIONS
 * - USE SAME PART PAGE 17
 @ - USE SAME PART 15d

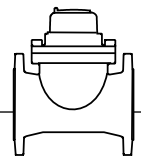


Woltman Turbo Water Meter (WPH)

Sizes: 40mm - 125mm (1 1/2" - 5")

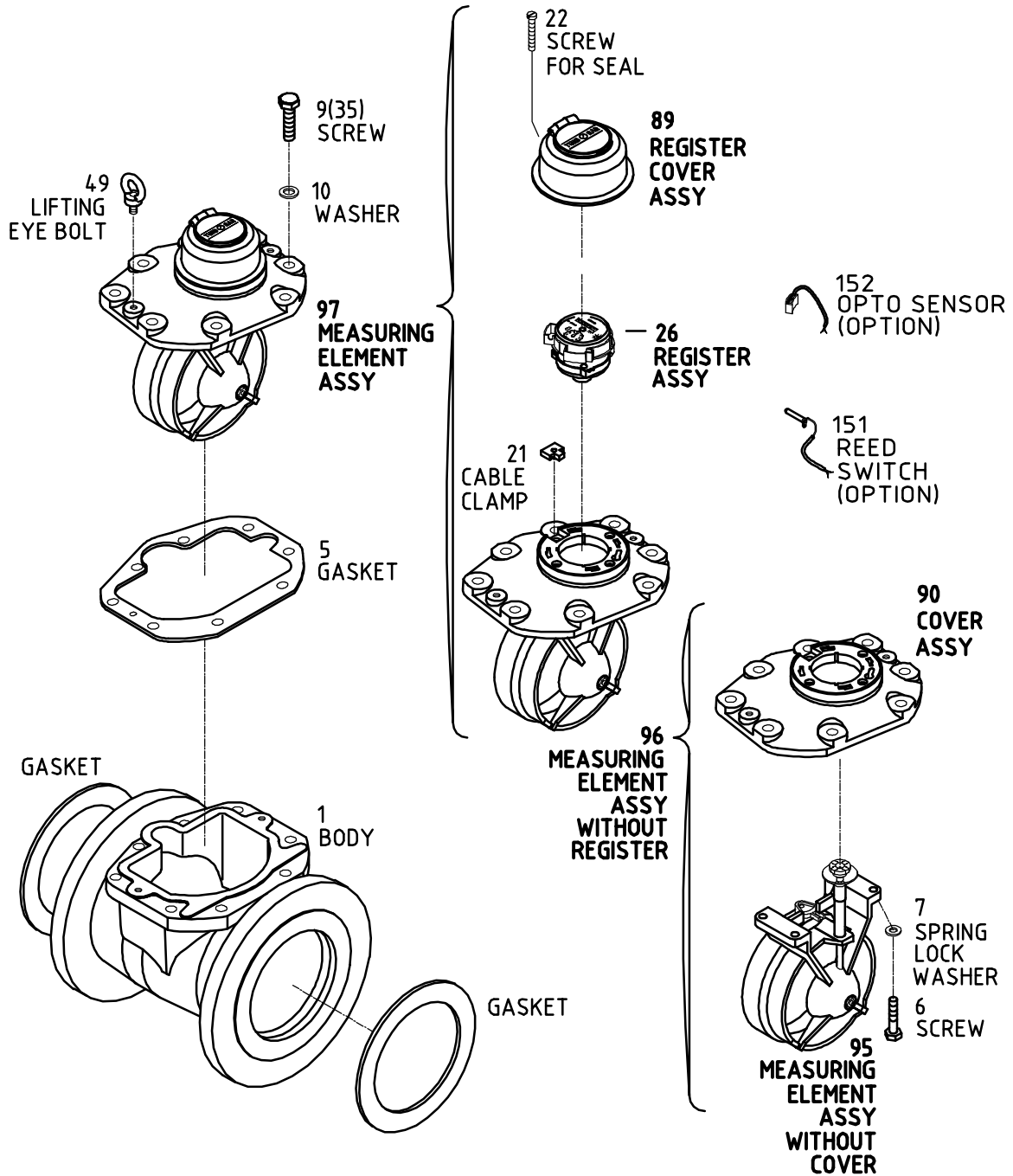


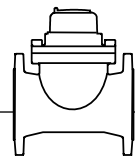
* FOR DN 40-80 mm (1 1/2" - 3") ONLY



Woltman Turbo Water Meter (WPH)

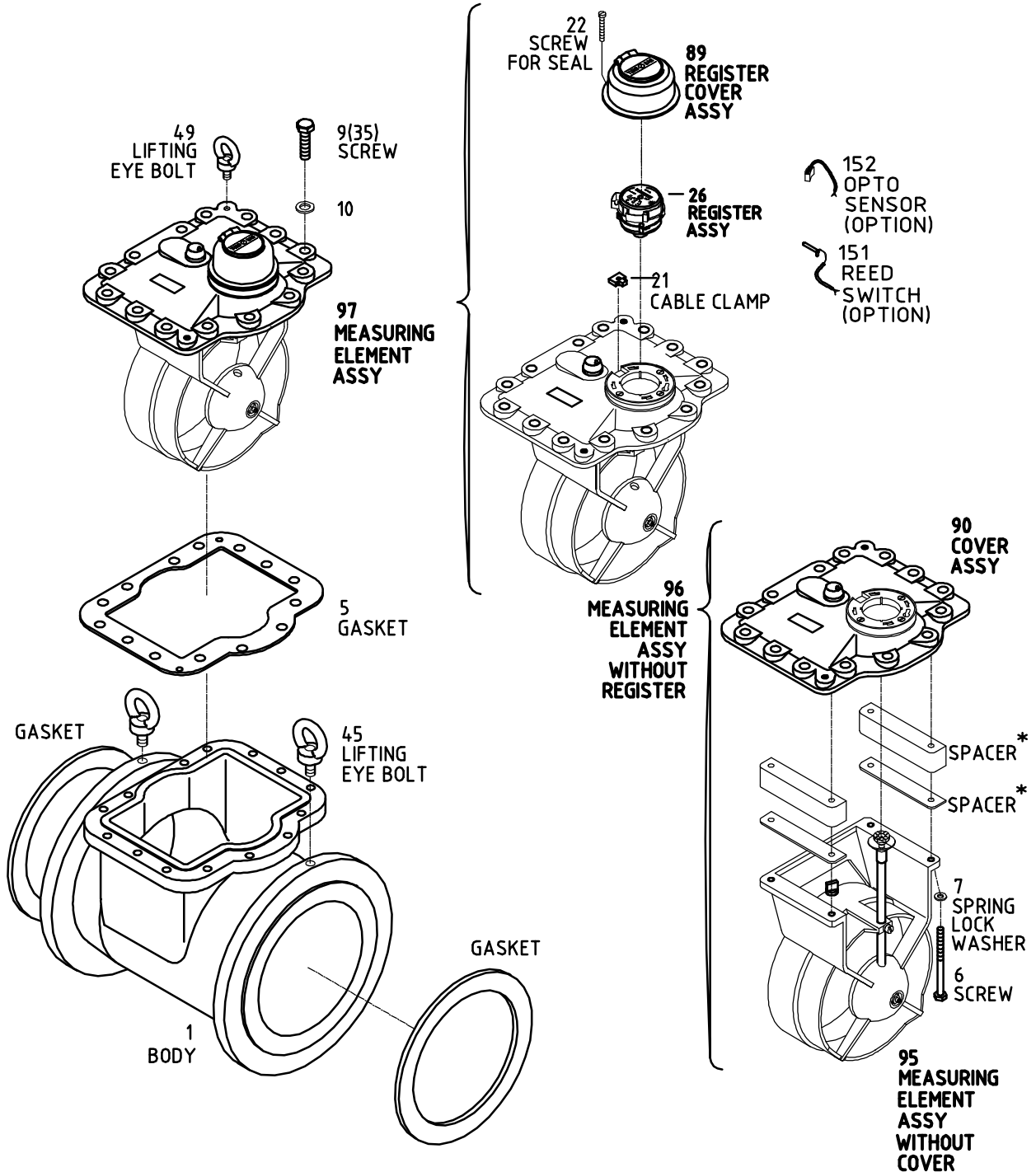
Sizes: 150mm - 200mm (6" - 8")





Woltman Turbo Water Meter (WPH)

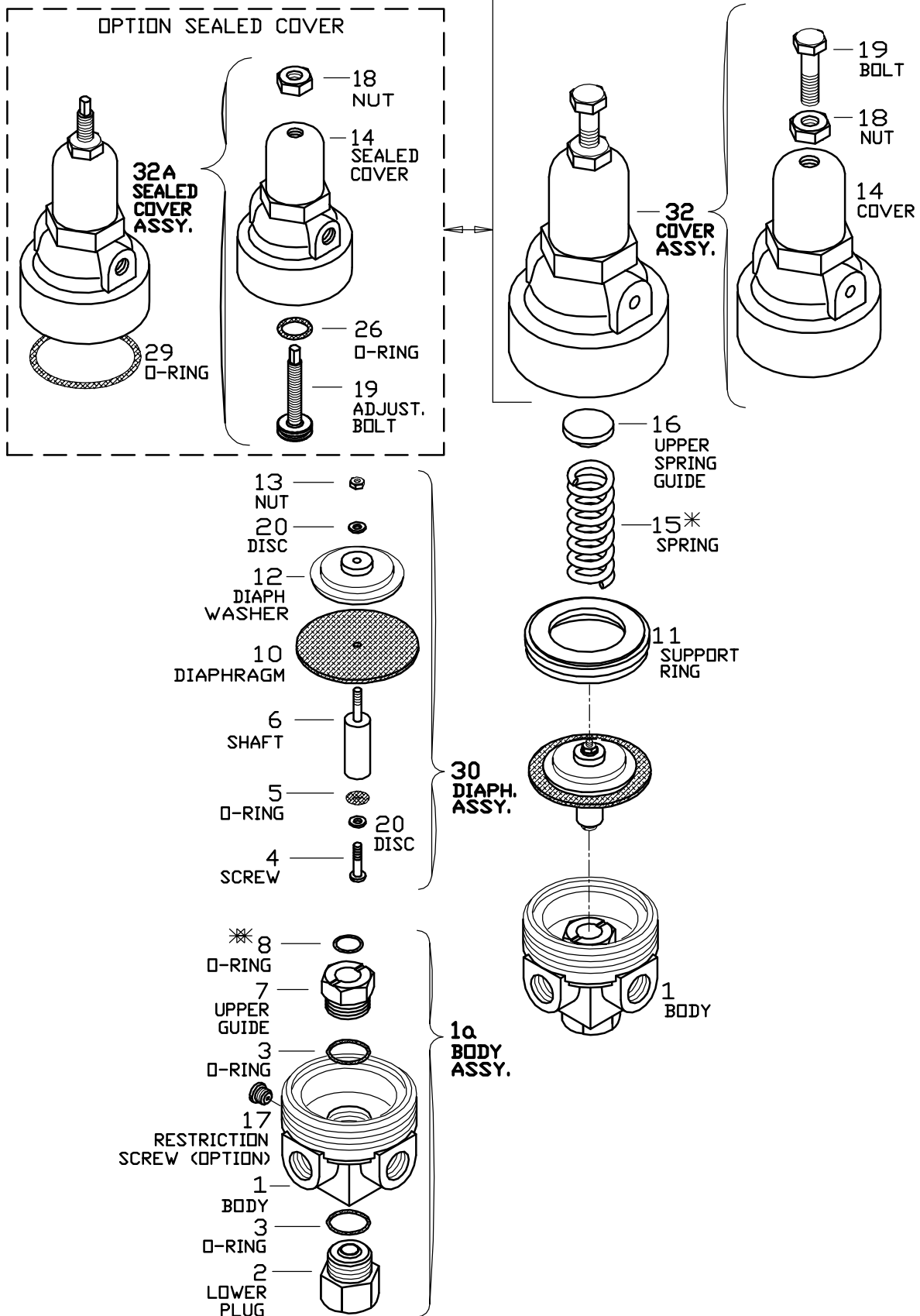
Sizes: 250mm - 500mm (10" - 20")



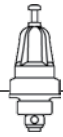
* FOR DN 400-500 mm (16" - 20") ONLY



PC-30-AM Metal 2-way Pressure Sustaining Mini Pilot Valve
PC-30-AM Metal 2-way Quick Relief Mini Pilot Valve

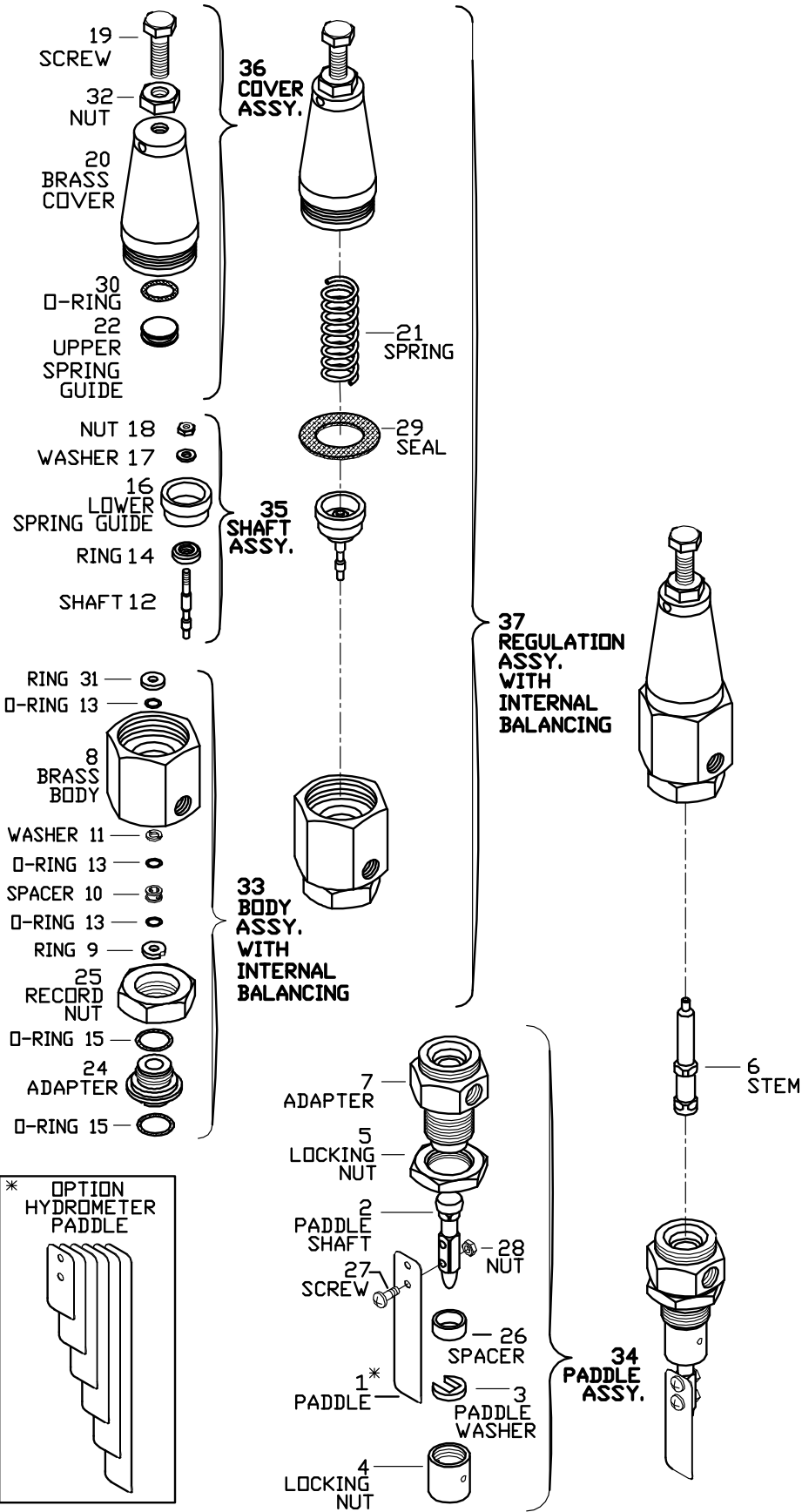


* - DIFFERENT SPRING
 * - FOR SUSTAINING PILOT ONLY

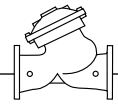


PC-70-M-Metal 2-Wat Rate of Mini Pilot Valve

Paddle Type

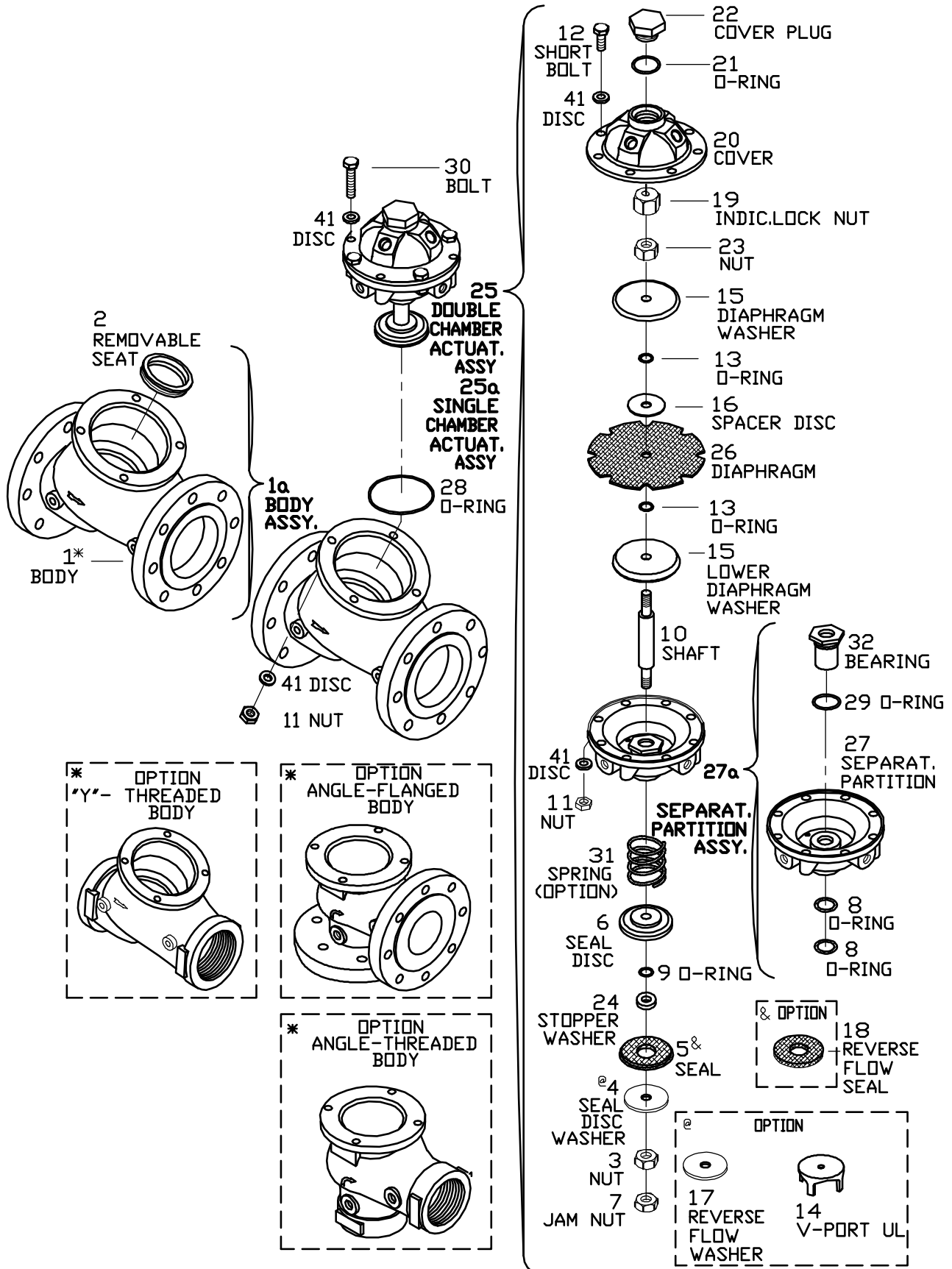


Ø	length	* OPTION HYDROMETER PADDLE
2"	35	
3"	50	
4"	65	
6"	80	
8"	95	
10"	110	



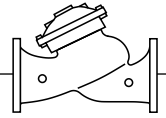
Diaphragm Actuated Basic Control Valves

Size: 1 1/2", 2", 2 1/2" & 3"R





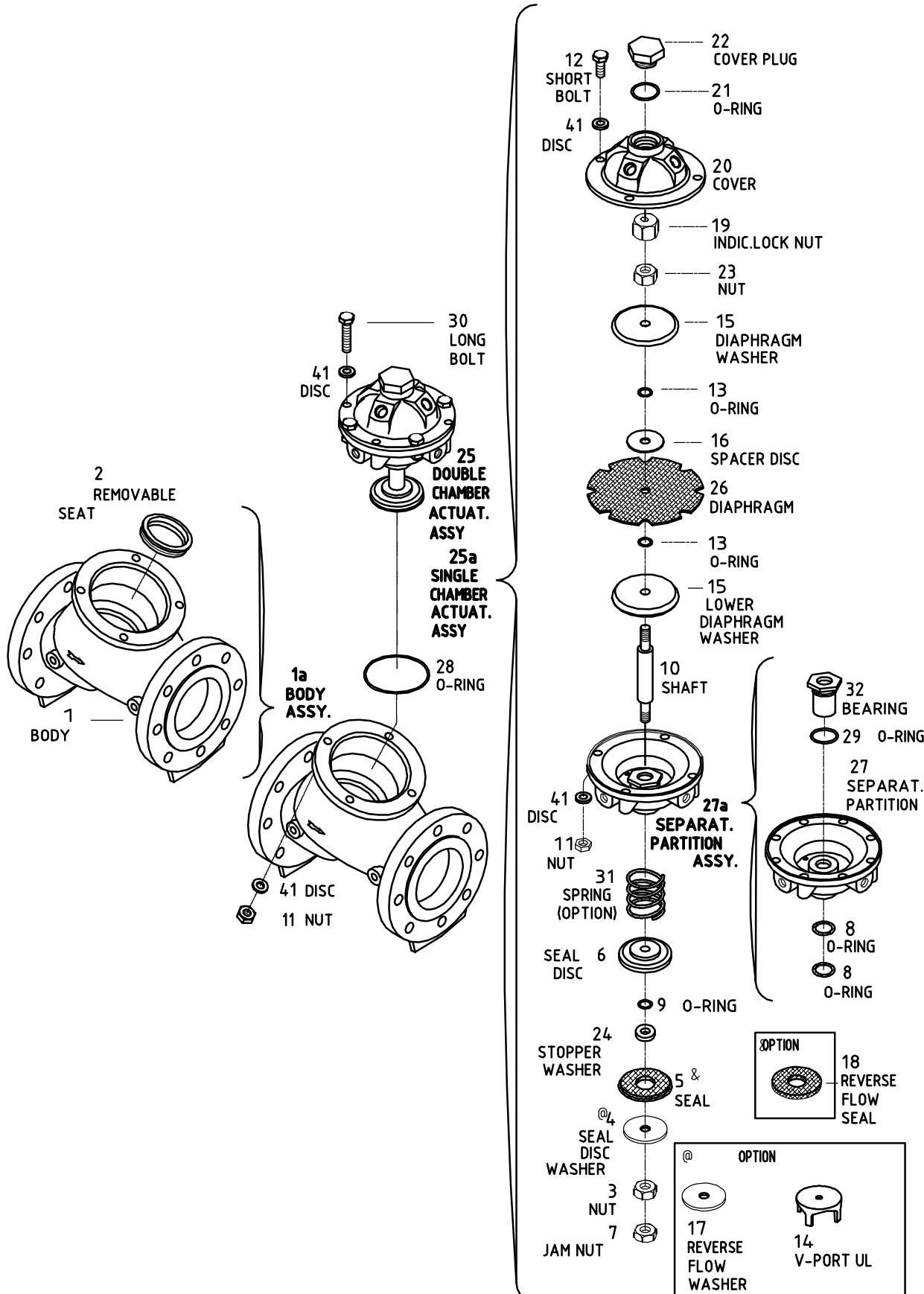
BERMAD WW Spare Parts



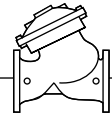
700EN Series

Diaphragm Actuated Basic Control Valves

Sizes: 2" (50mm)

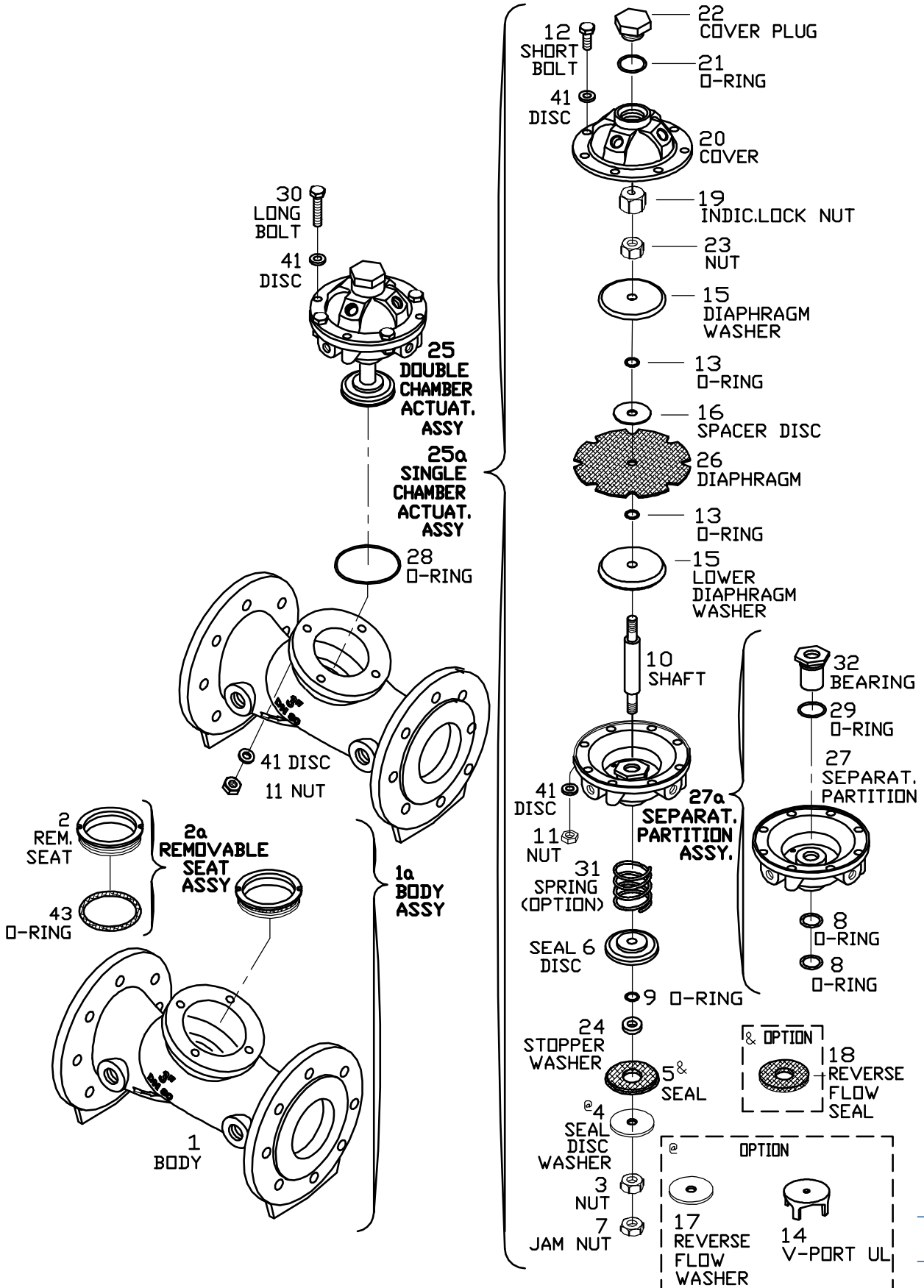


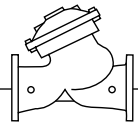
38EN



Diaphragm Actuated Basic Control Valves

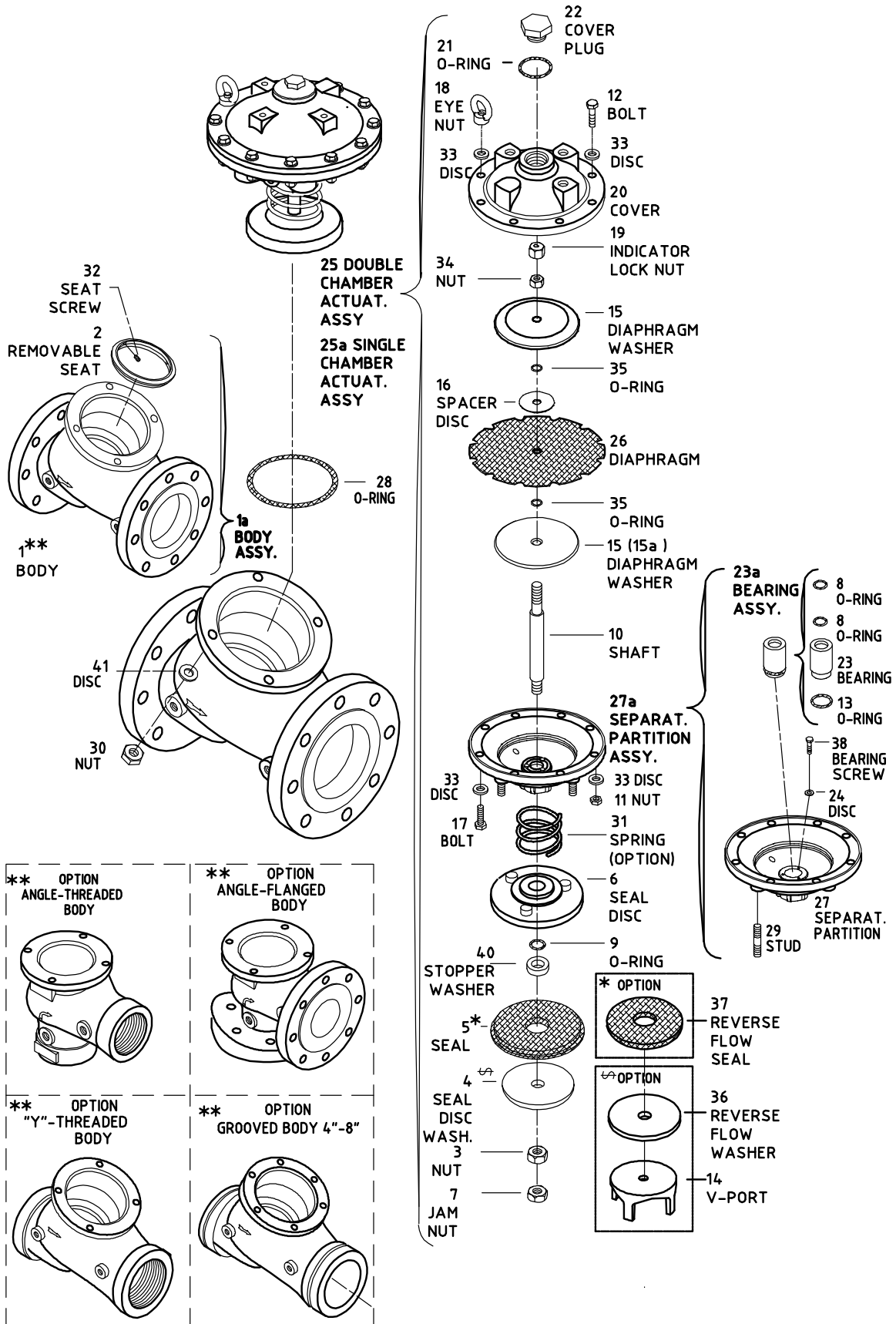
Sizes: 1 1/2"-3" (40mm-80mm)





Diaphragm Actuated Basic Control Valves

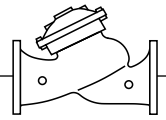
Size 3" & 4"R



* - PART NO. 5 ASSEMBLED WITH PART NO. 40



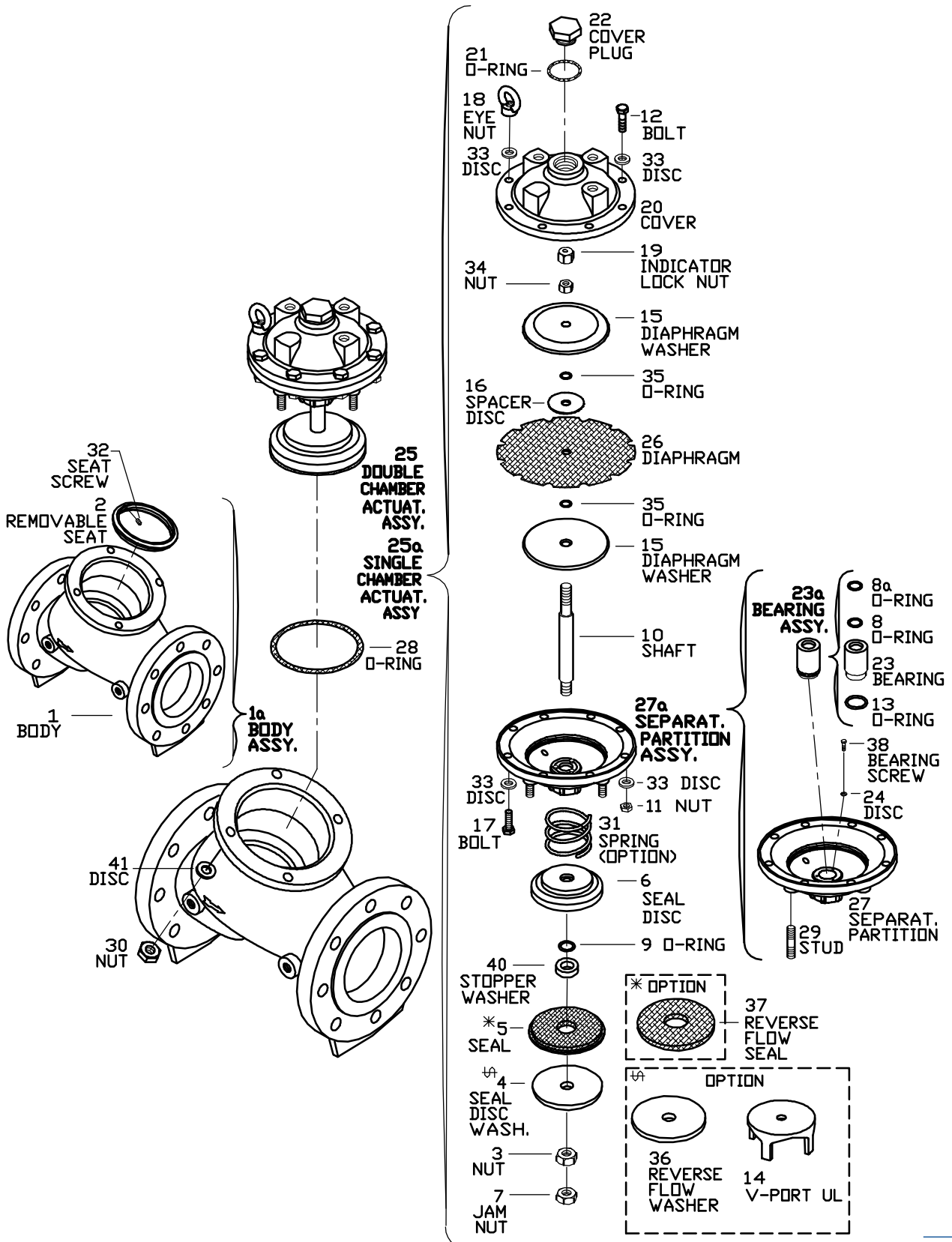
BERMAD WW Spare Parts



700EN Series

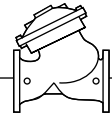
Diaphragm Actuated Basic Control Valves

Size 3" (80mm)



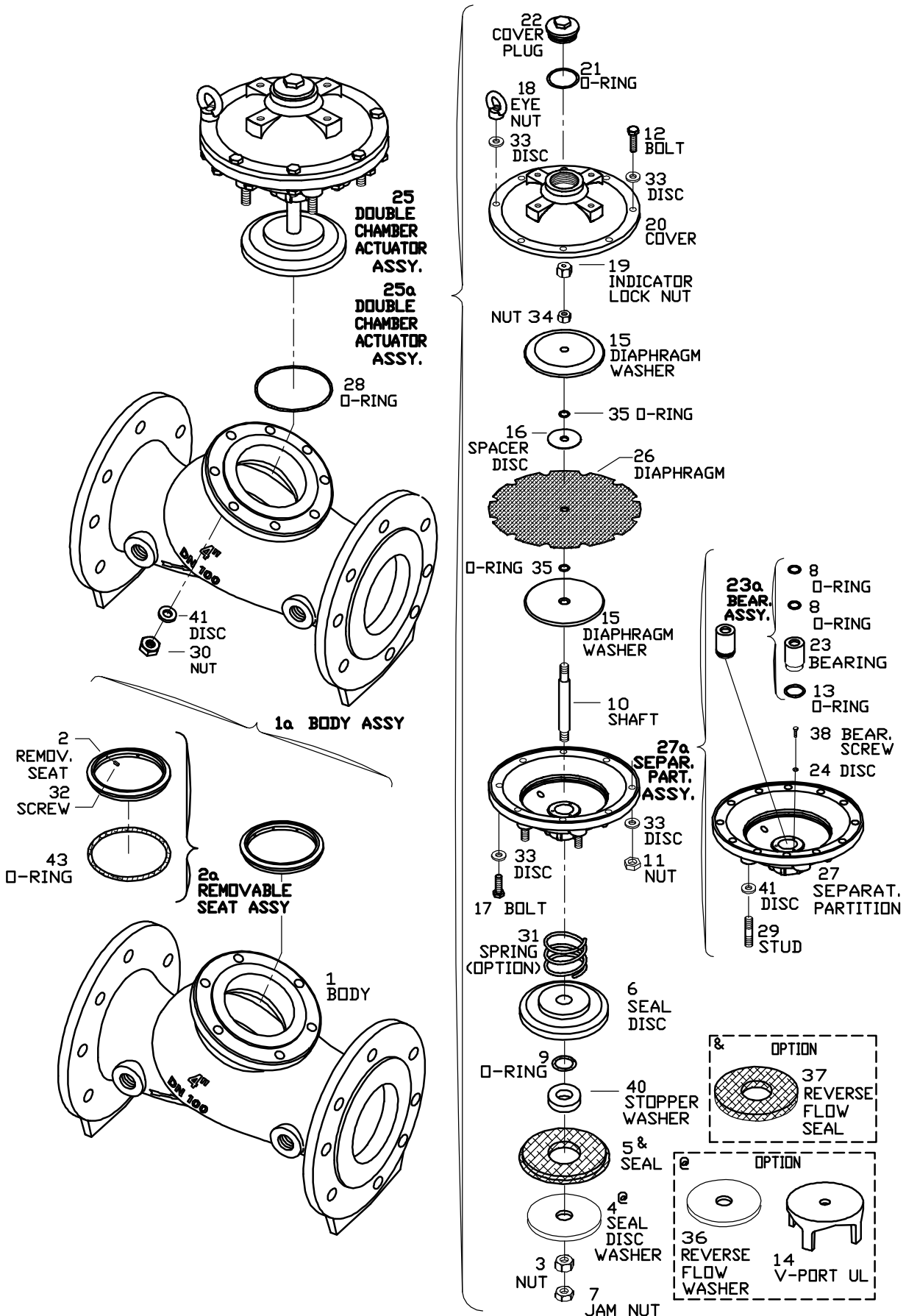
* - PART NO. 5 ASSEMBLED WITH PART NO. 40

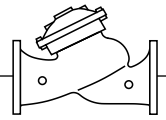
39EN



Diaphragm Actuated Basic Control Valves

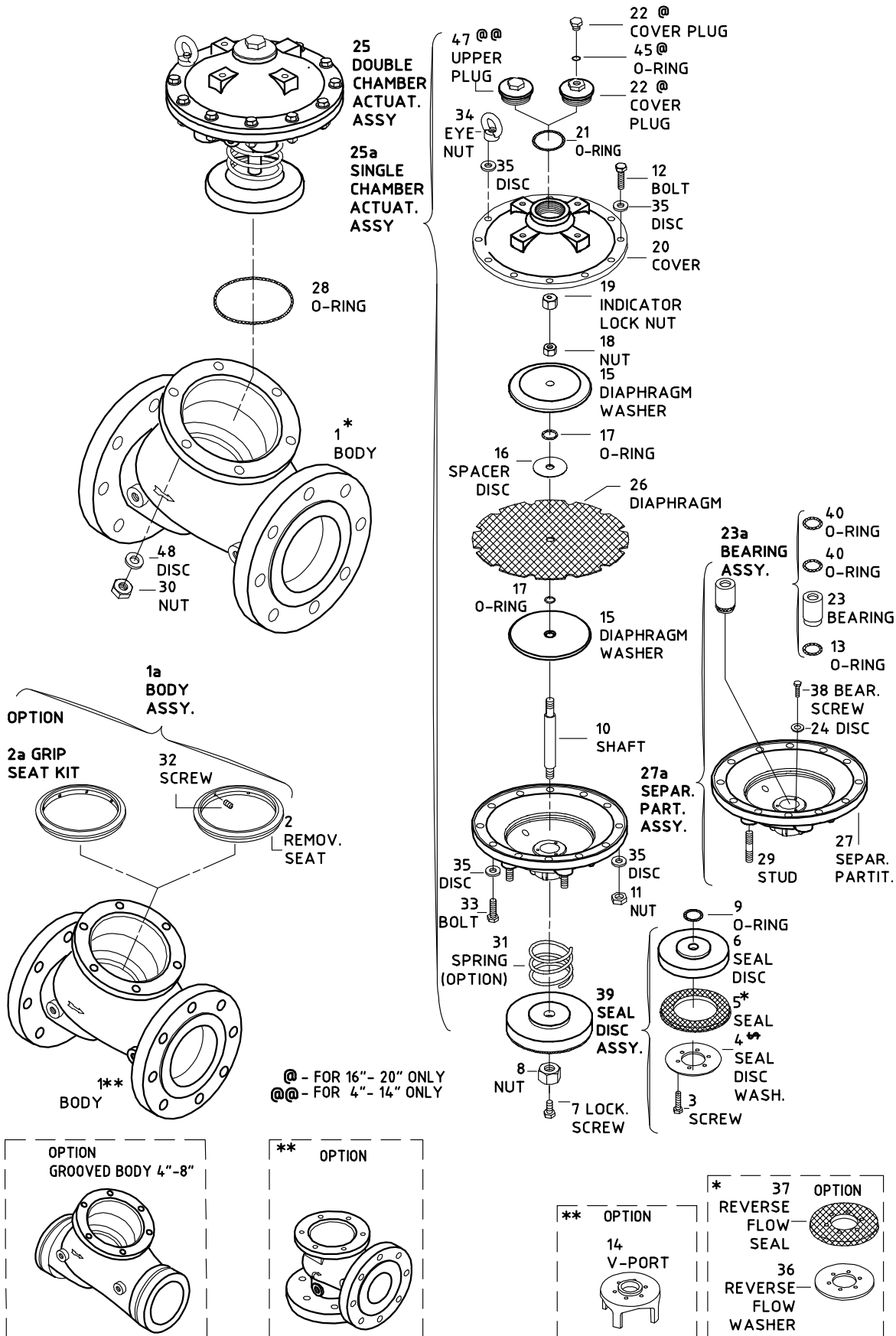
Size 4" (100mm)

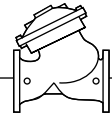




Diaphragm Actuated Basic Control Valves

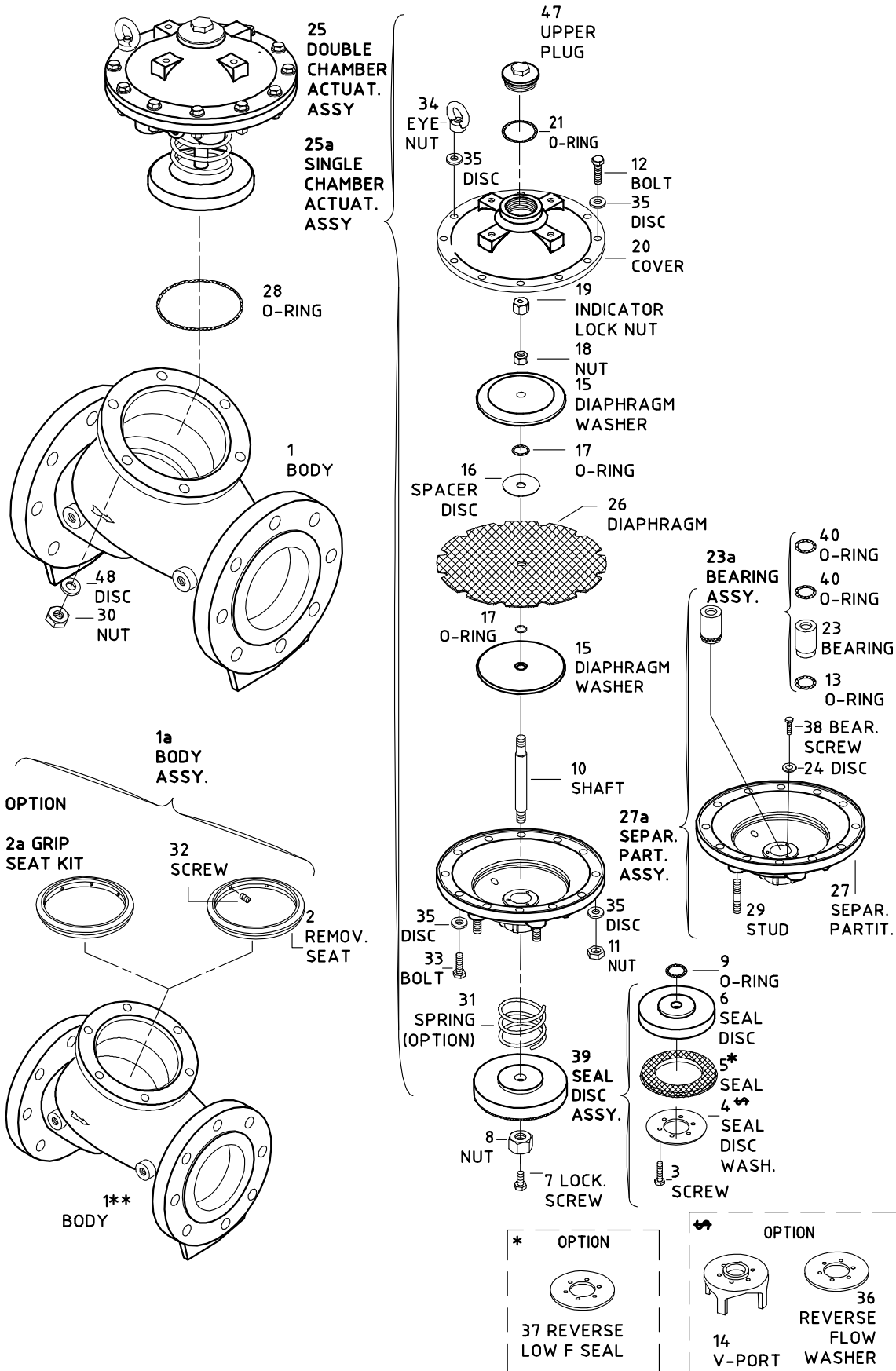
Size 4" - 20"





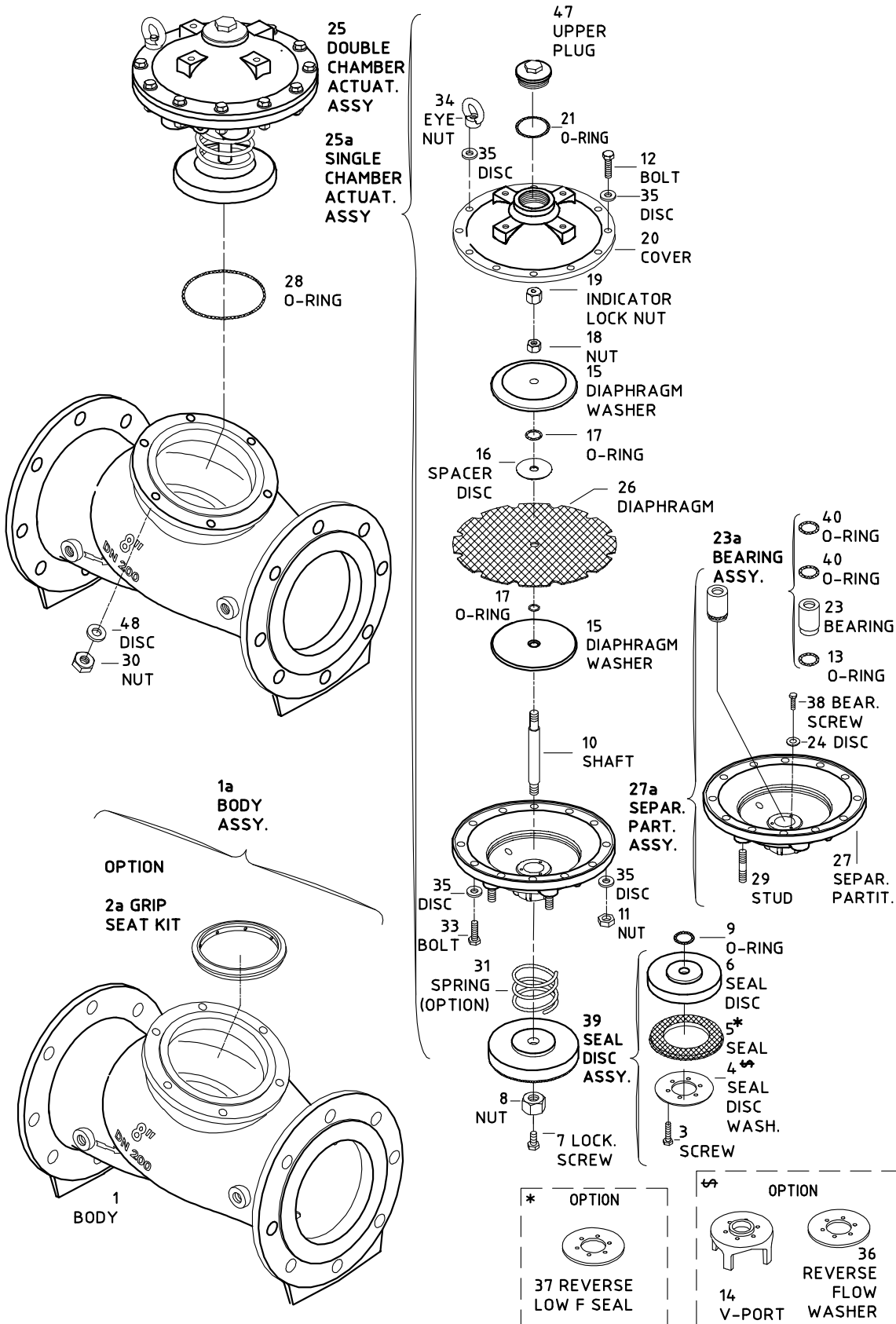
Diaphragm Actuated Basic Control Valves

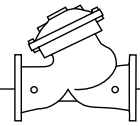
Size 4" - 12" (100mm-300mm)



Diaphragm Actuated Basic Control Valves

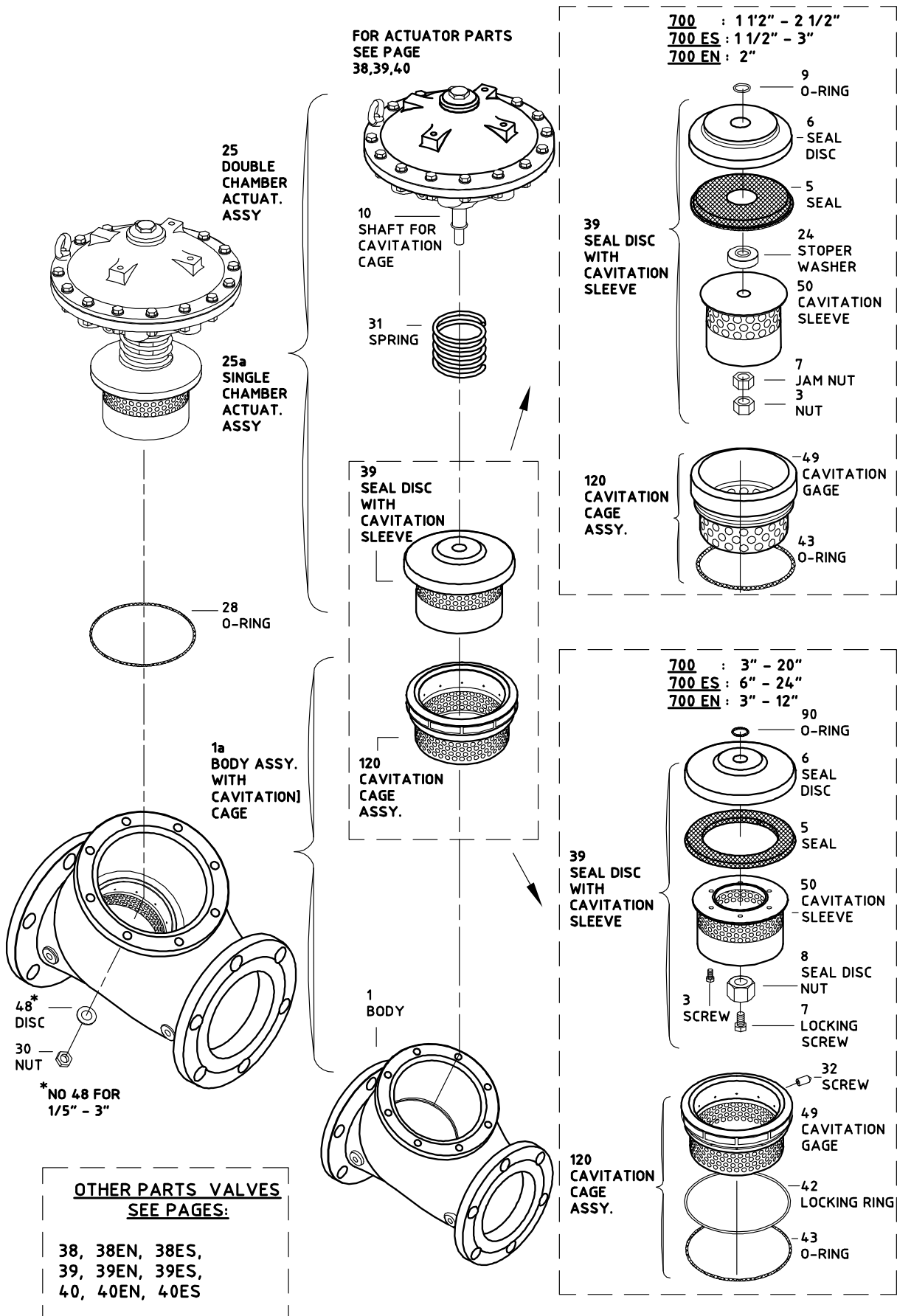
Size 5" - 24" (150mm-500mm)





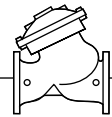
Diaphragm Actuated Basic Control Valves with Cavitation Cage

Size 1 1/2"-24"



**OTHER PARTS VALVES
SEE PAGES:**

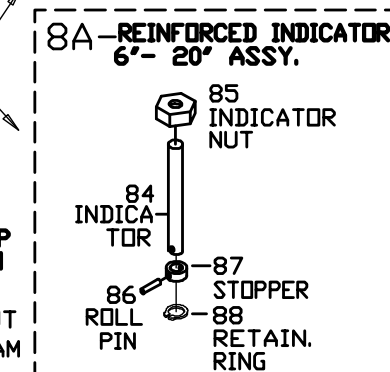
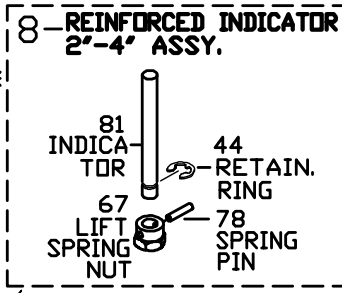
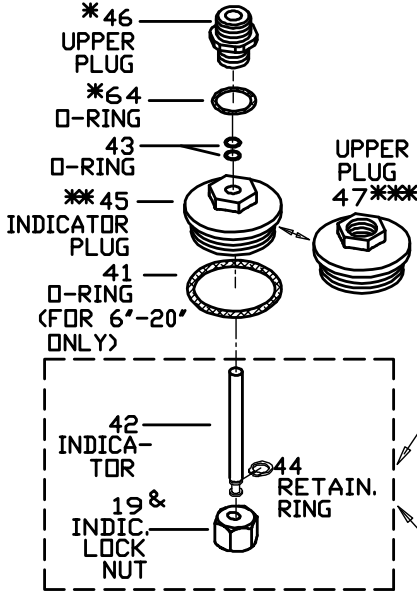
38, 38EN, 38ES,
39, 39EN, 39ES,
40, 40EN, 40ES



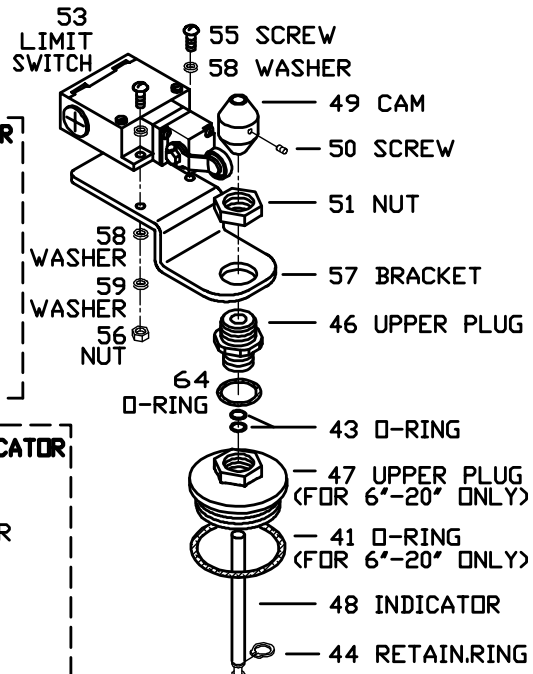
Main Valves - Indicator Options

Size 1 1/2" - 20"

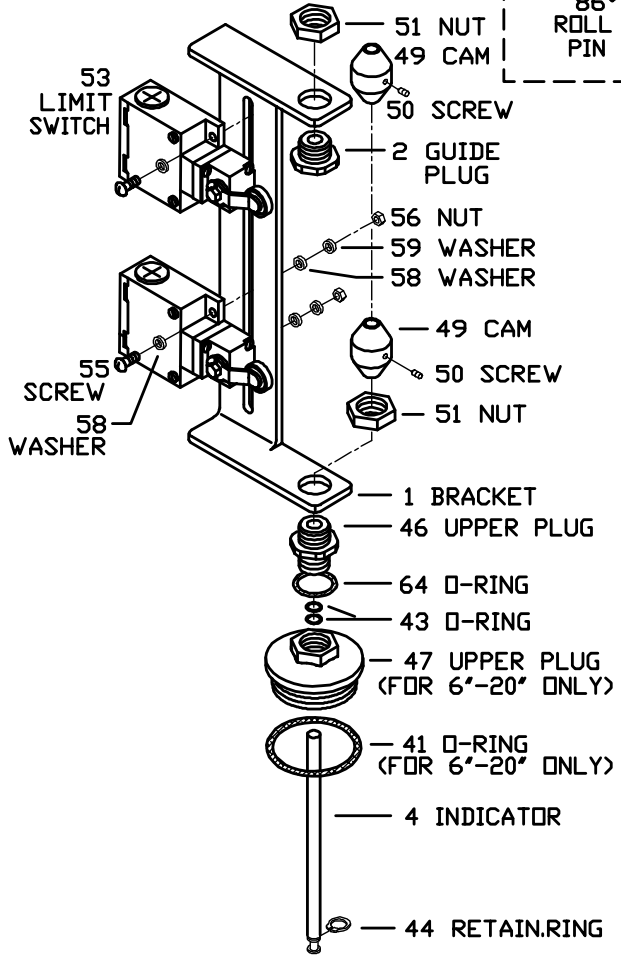
5- VALVE POSITION INDICATOR ASSY.



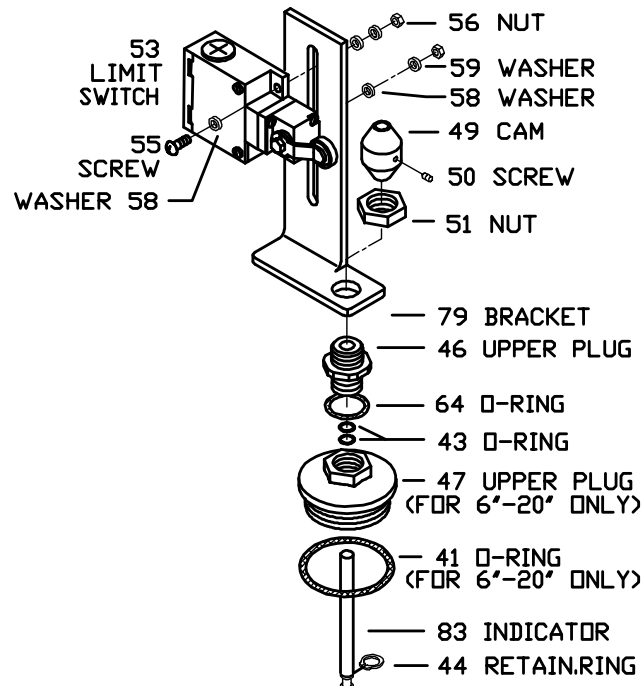
14- ELECTRIC LIMIT SWITCH ASSY.



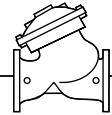
21- INDICATOR ASSY. WITH TOP GUIDE AND LIMIT SWITCH



13- ADJUSTABLE LIMIT SWITCH OPTION



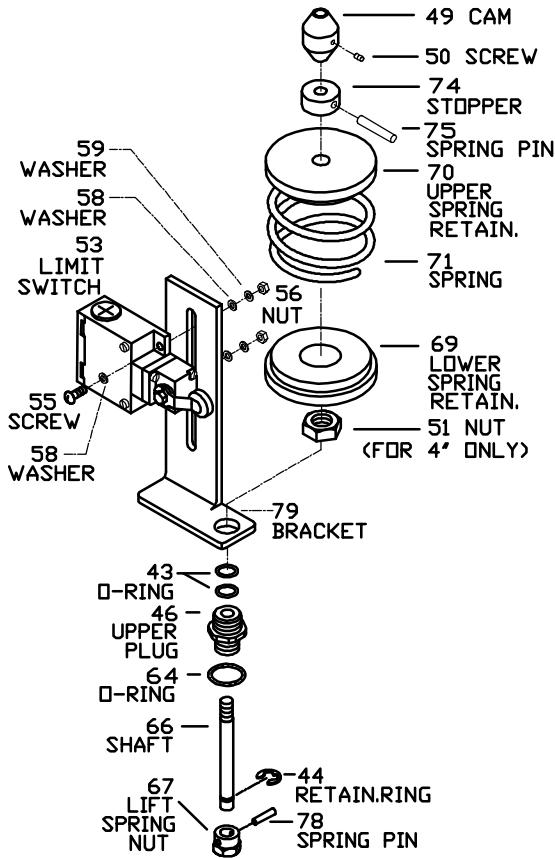
* - FOR 2'- 4' AND 16'-20' ONLY
 ** - FOR 6'- 12' ONLY
 *** - FOR 16'- 20' ONLY
 & - SEE PAGE 38-40



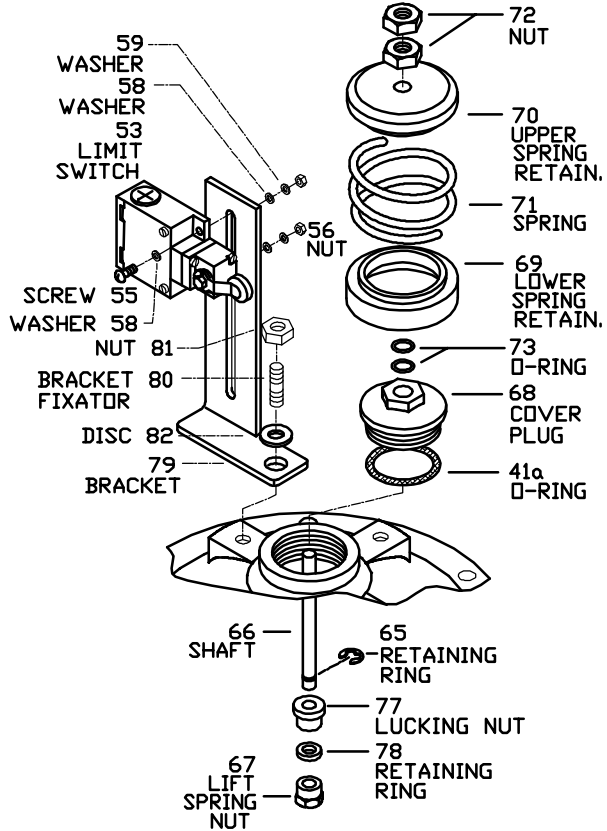
Main Valves - Lift Spring Options

Size 1 1/2" - 20"

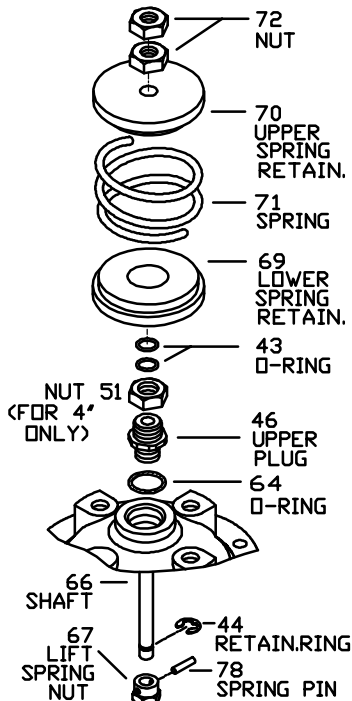
20 - LIFTING SPRING AND LIMIT SWITCH ASSY.
(2' - 4')



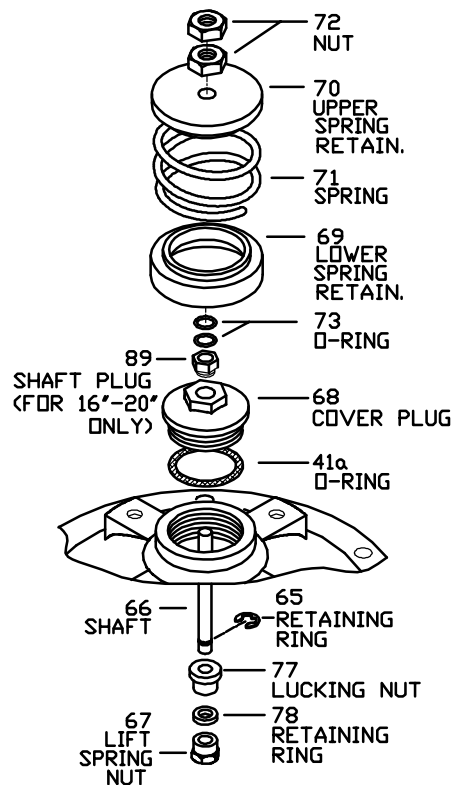
20a - LIFTING SPRING AND LIMIT SWITCH ASSY.
(6' - 20')

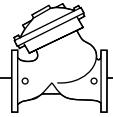


12 - LIFTING SPRING ASSY.
(2' - 4')



12a - LIFTING SPRING ASSY.
(6' - 20')

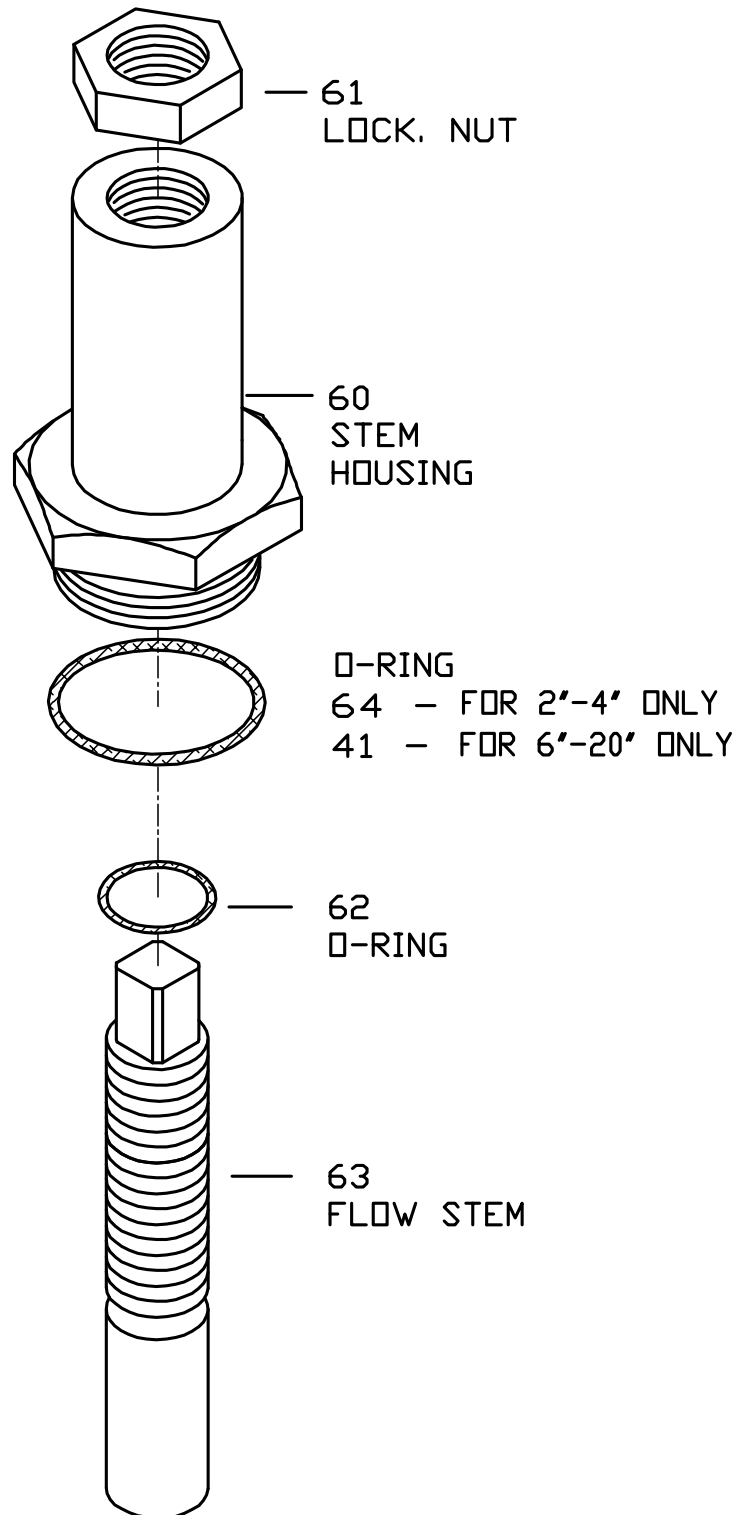


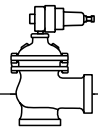


Main Valves – Flow Stem Options

Size 1 1/2" - 20"

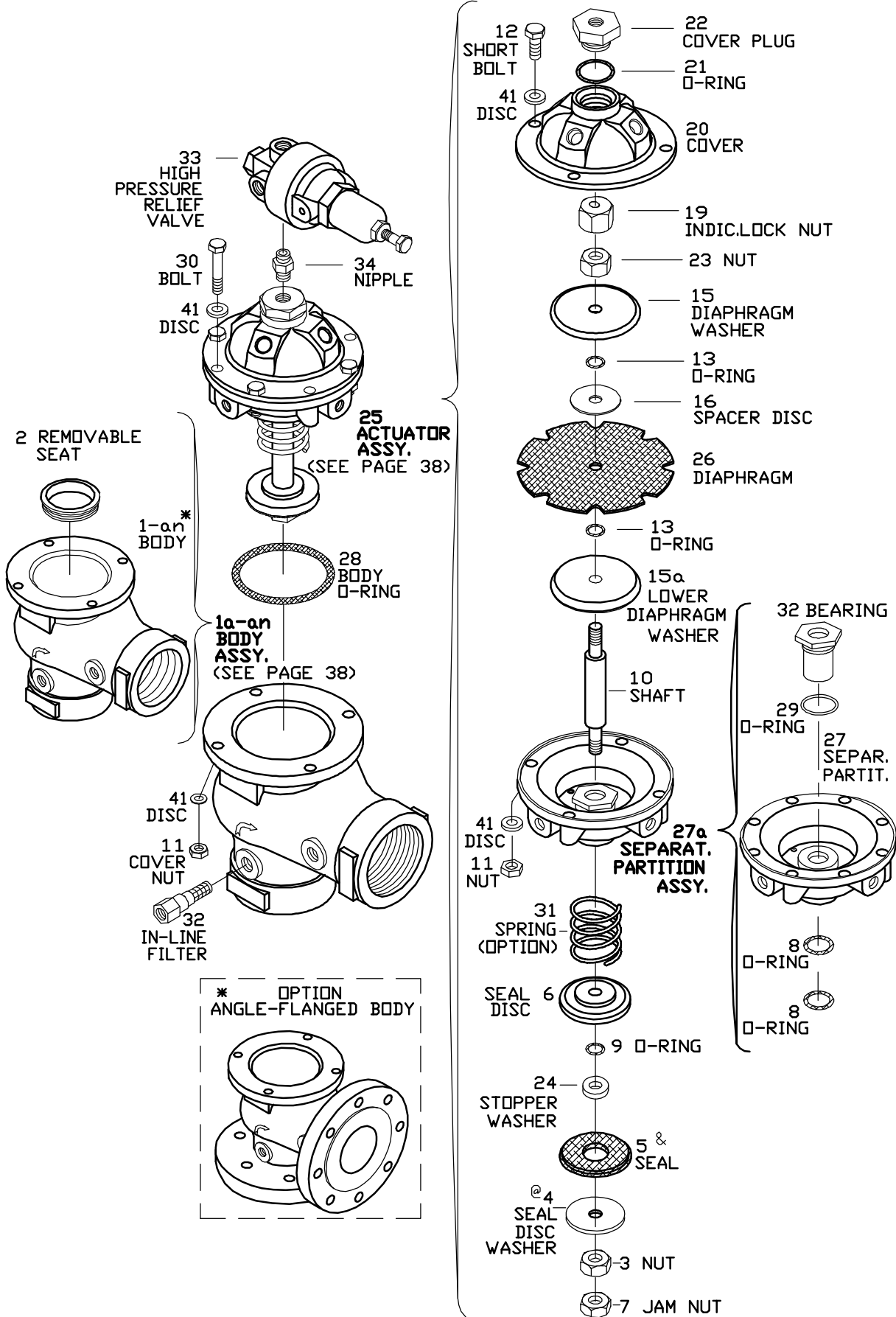
15 – FLOW STEM ASSY.

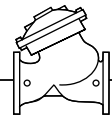




Pressure Relief Valves – Quick Type

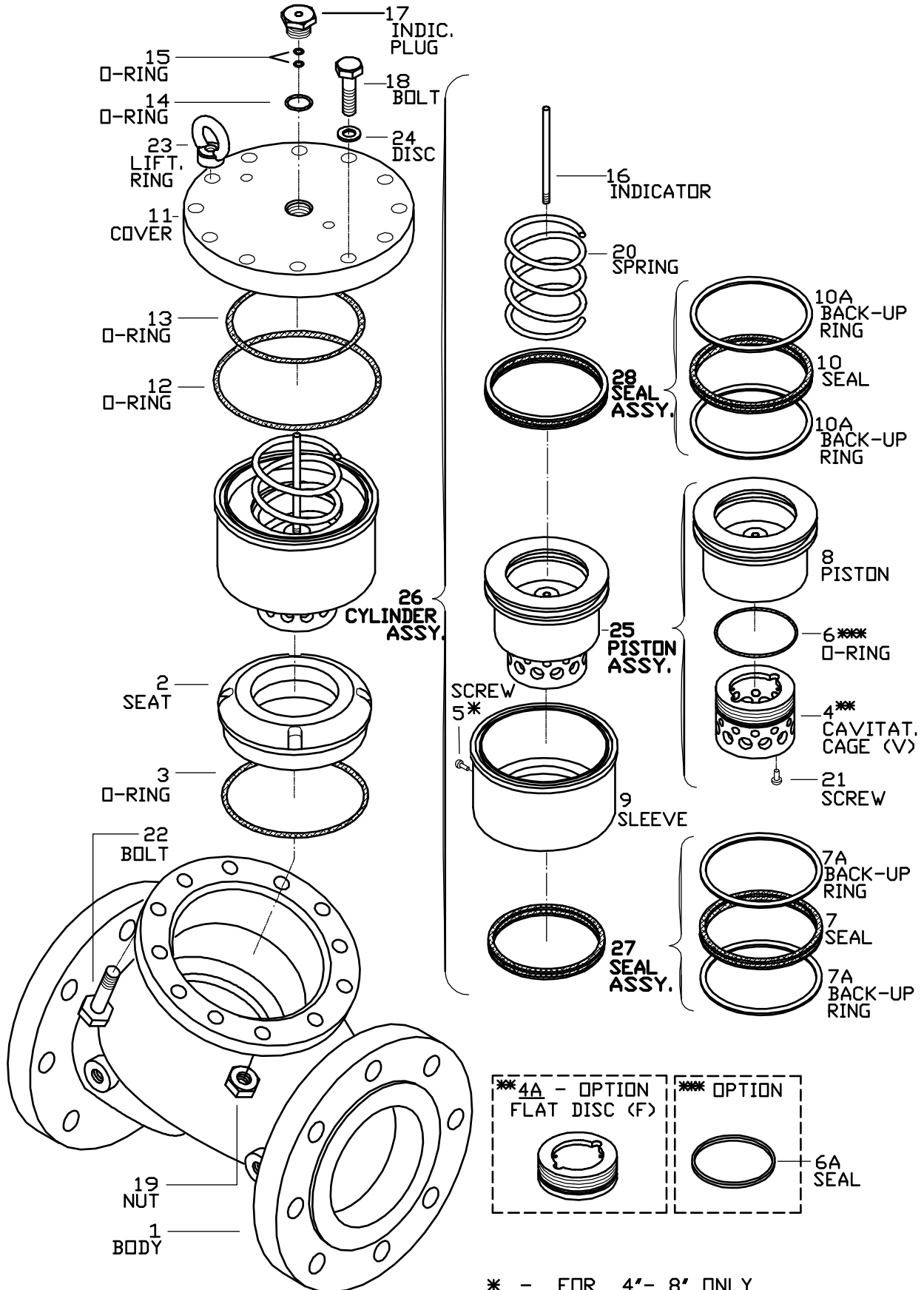
Size 2"

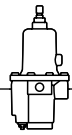




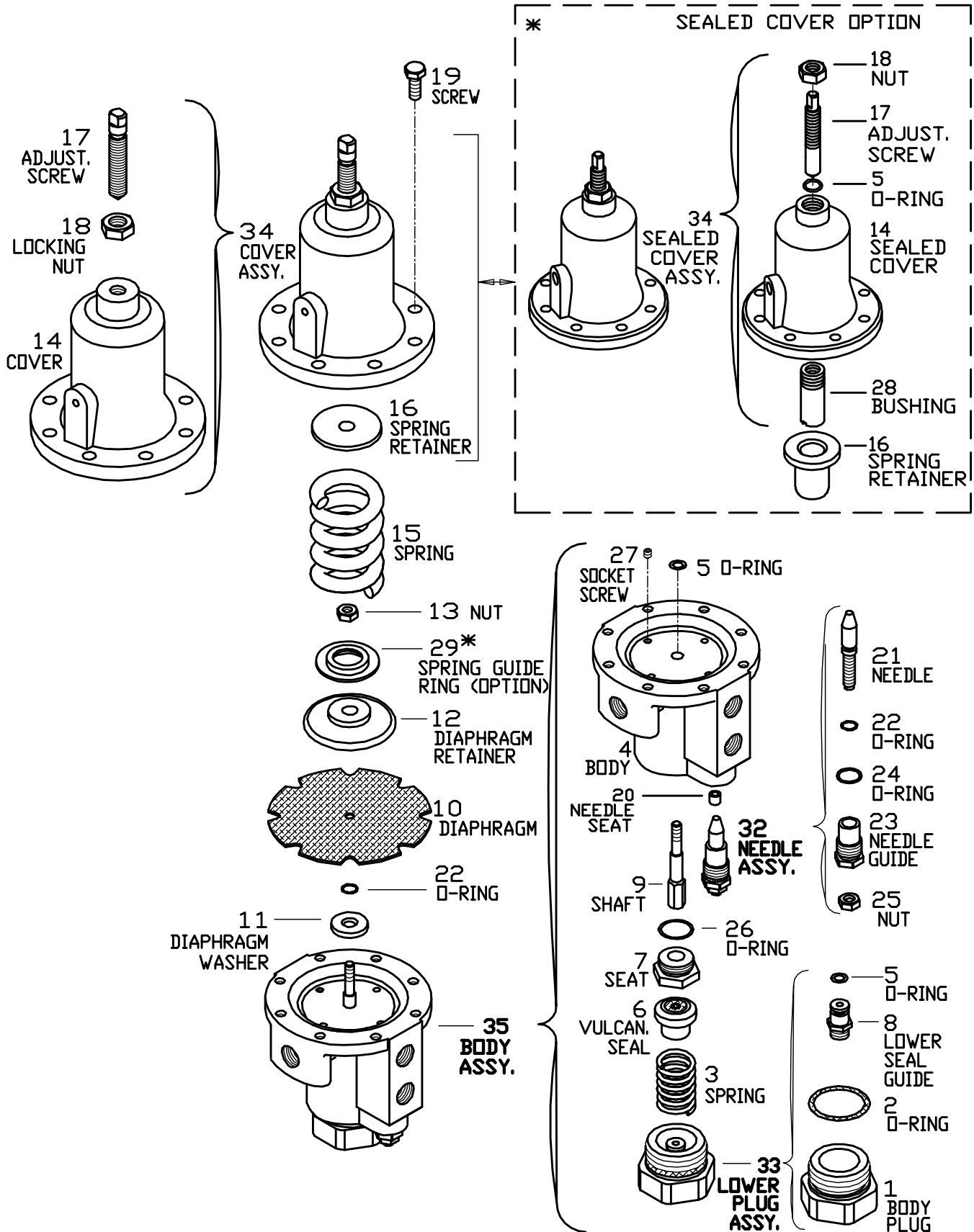
Piston Actuated High Pressure - Basic Control Valve

Size 3", 4", 6" & 8"

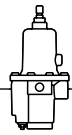




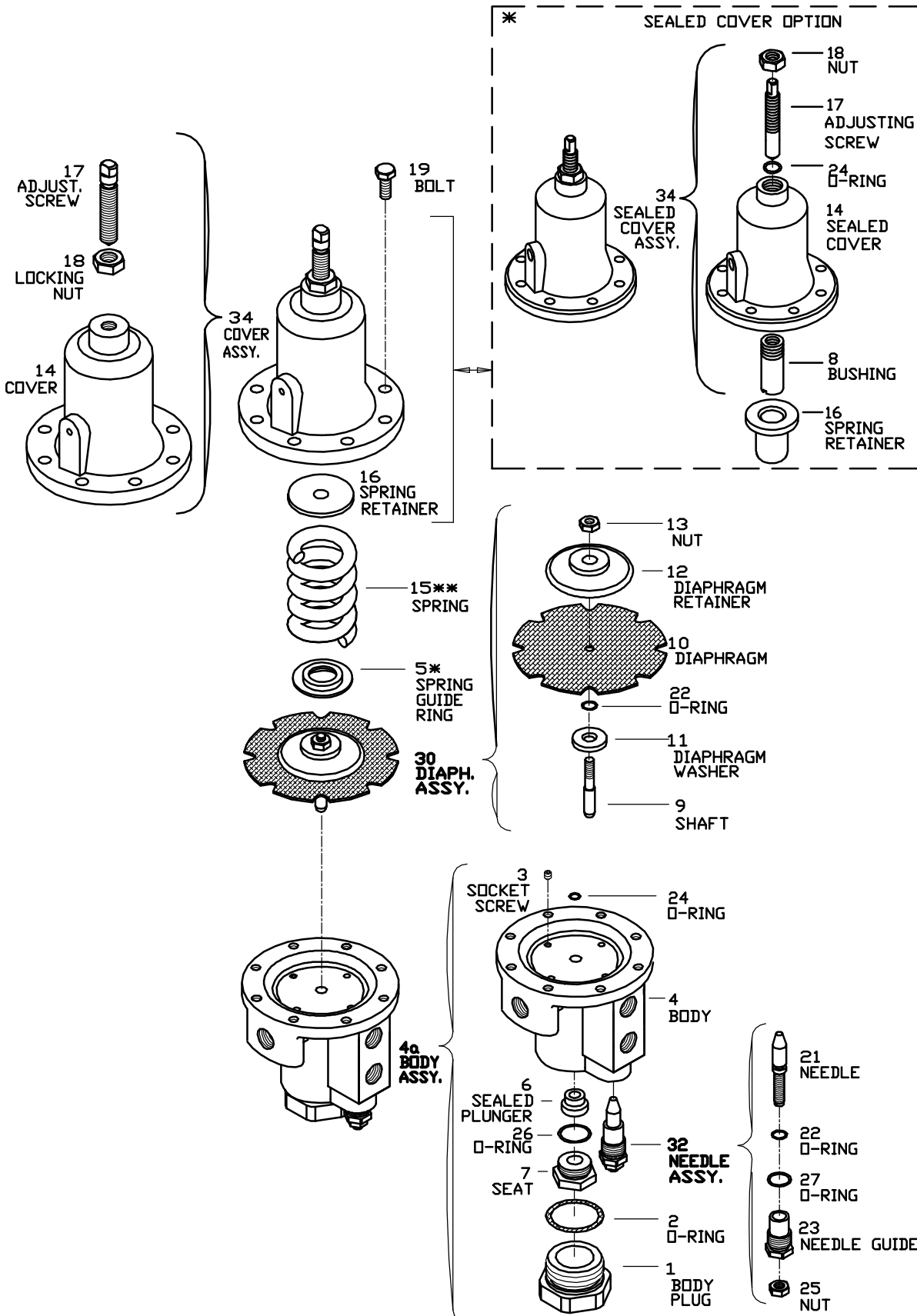
#X 3-way Positioning Pilot Valve



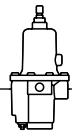
* - SEALED COVER OPTION



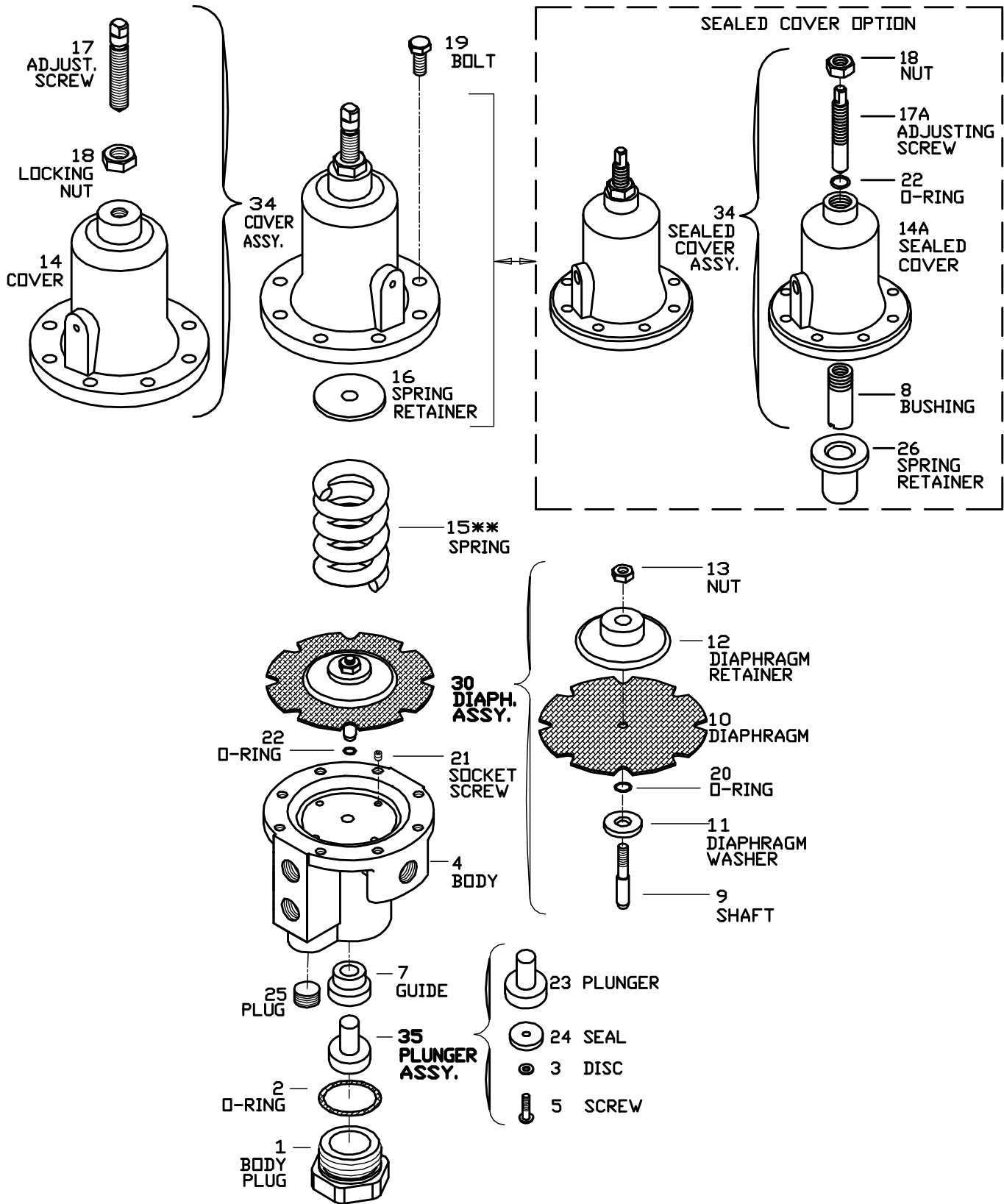
#3 2-way Pressure Sustaining Pilot Valve



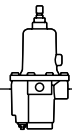
* SEALED COVER OPTION
 ** - DIFFERENT SPRINGS



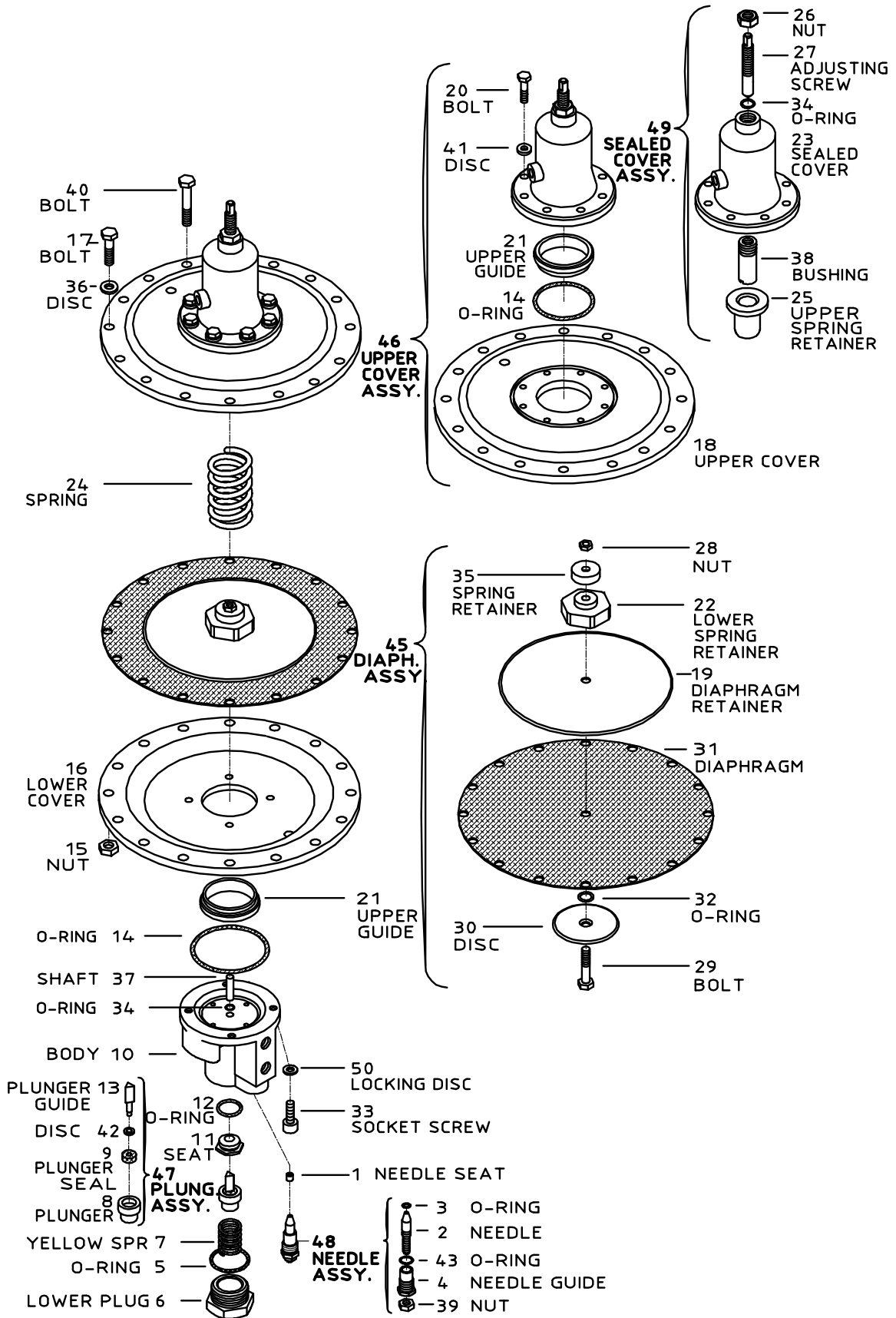
#3Q 2-way Quick Relief Pilot Valve

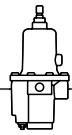


* - DIFFERENT SPRINGS

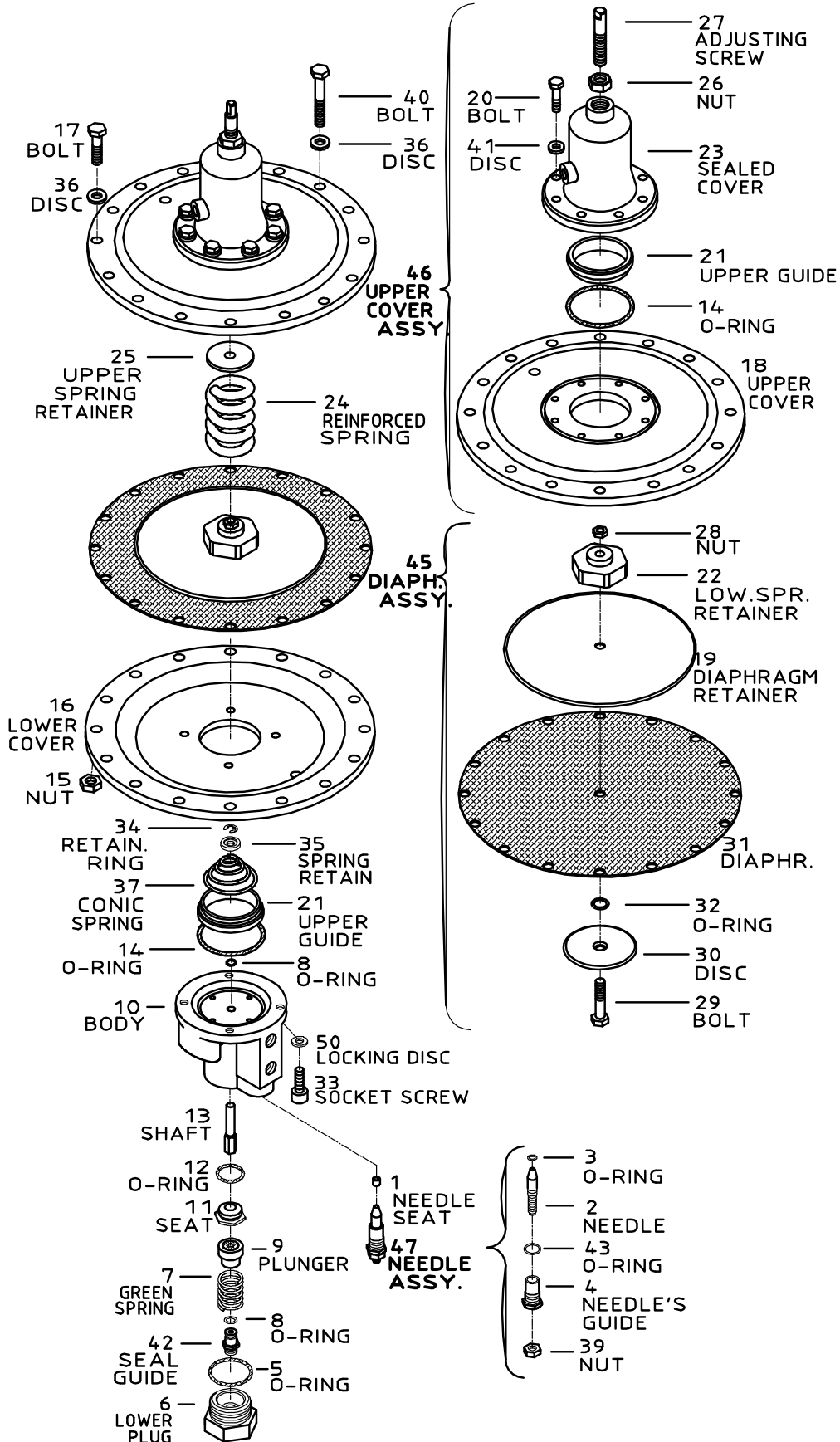


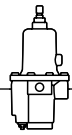
#7 2-way Flow Pilot Valve



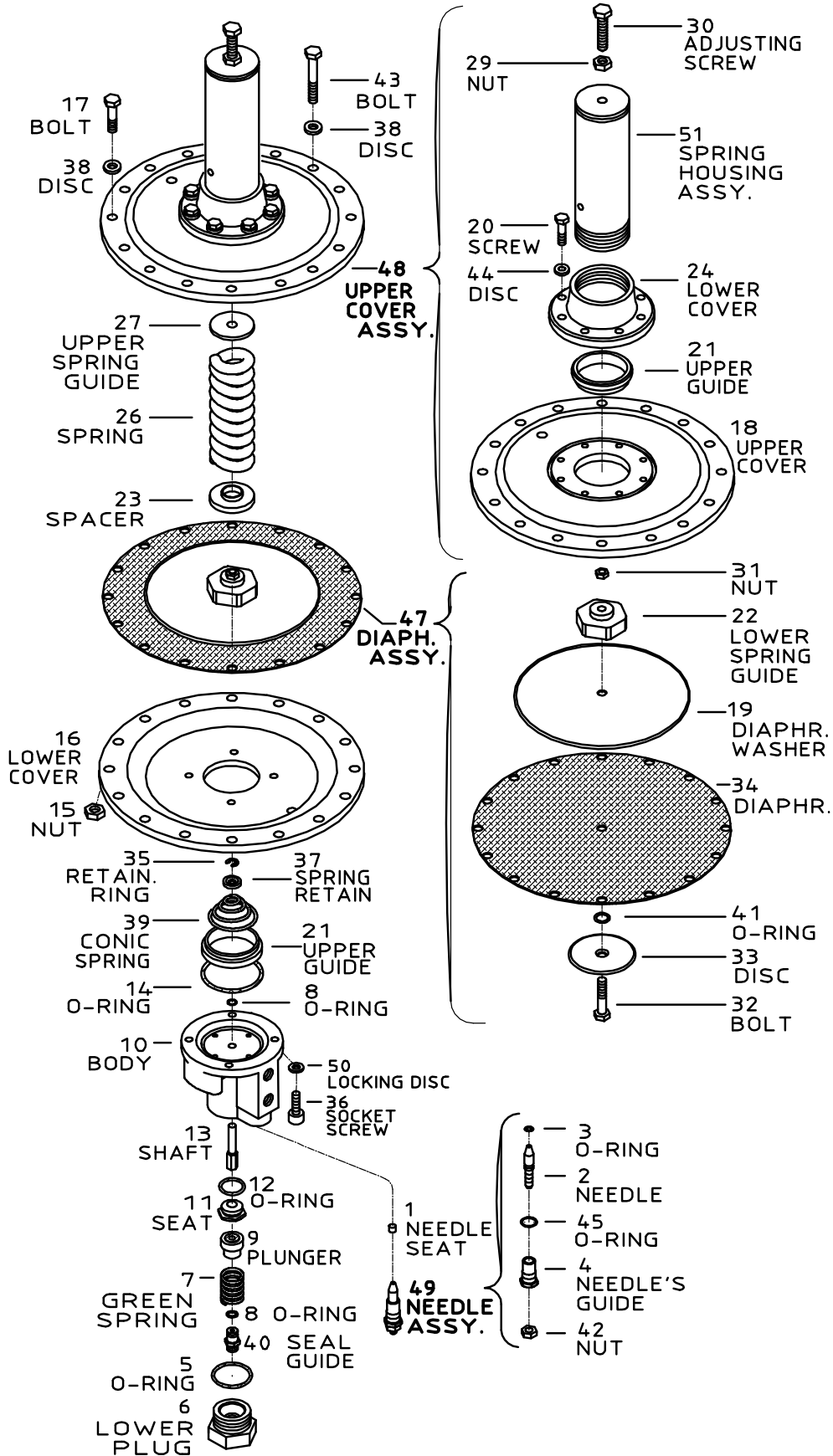


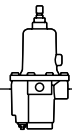
#8-16 3-way Altitude Pilot Valve (Maximum Setting 16 Meters)



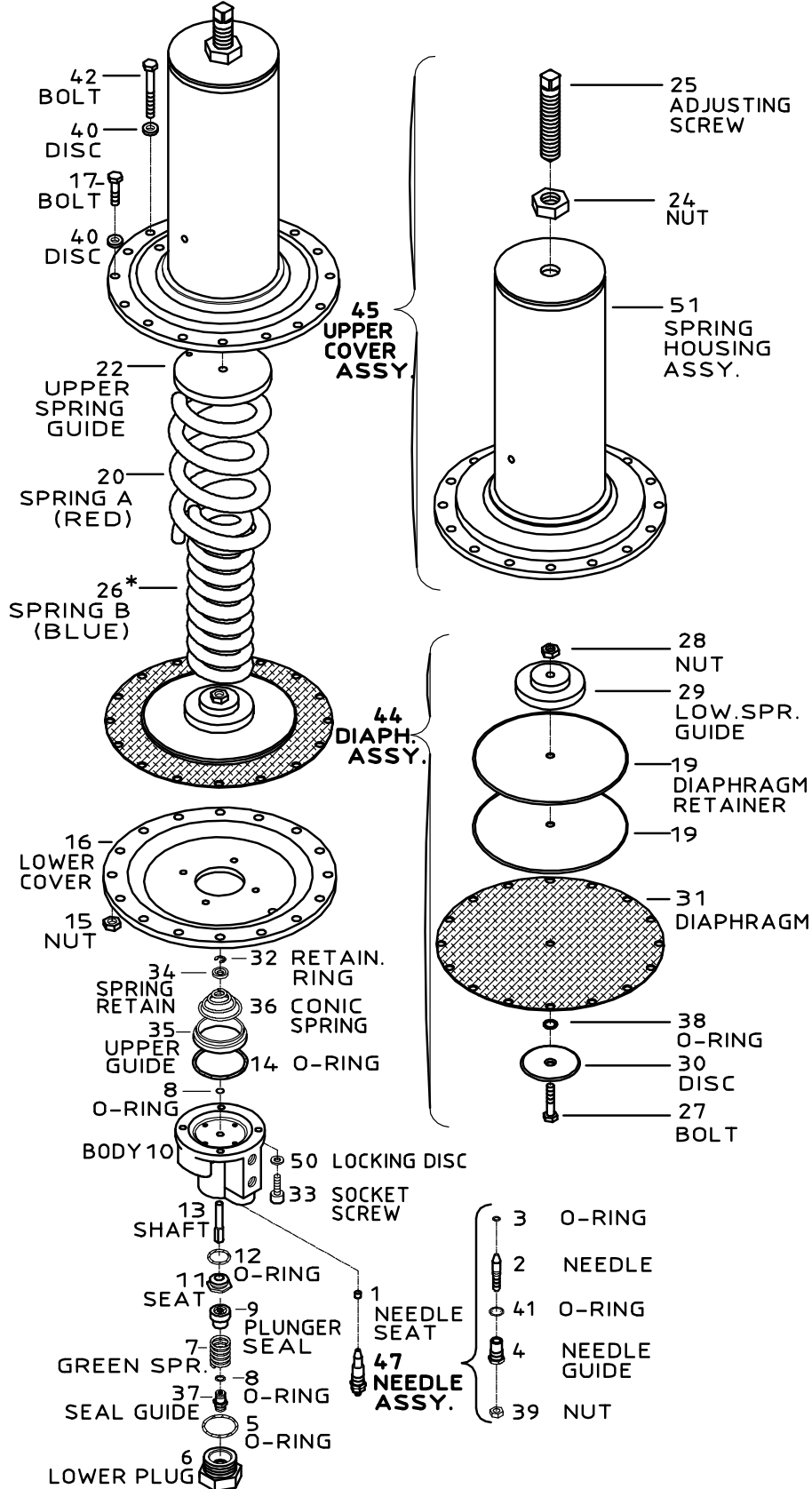


#8-25 3-way Altitude Pilot Valve (Maximum Setting 25 Meters)

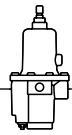




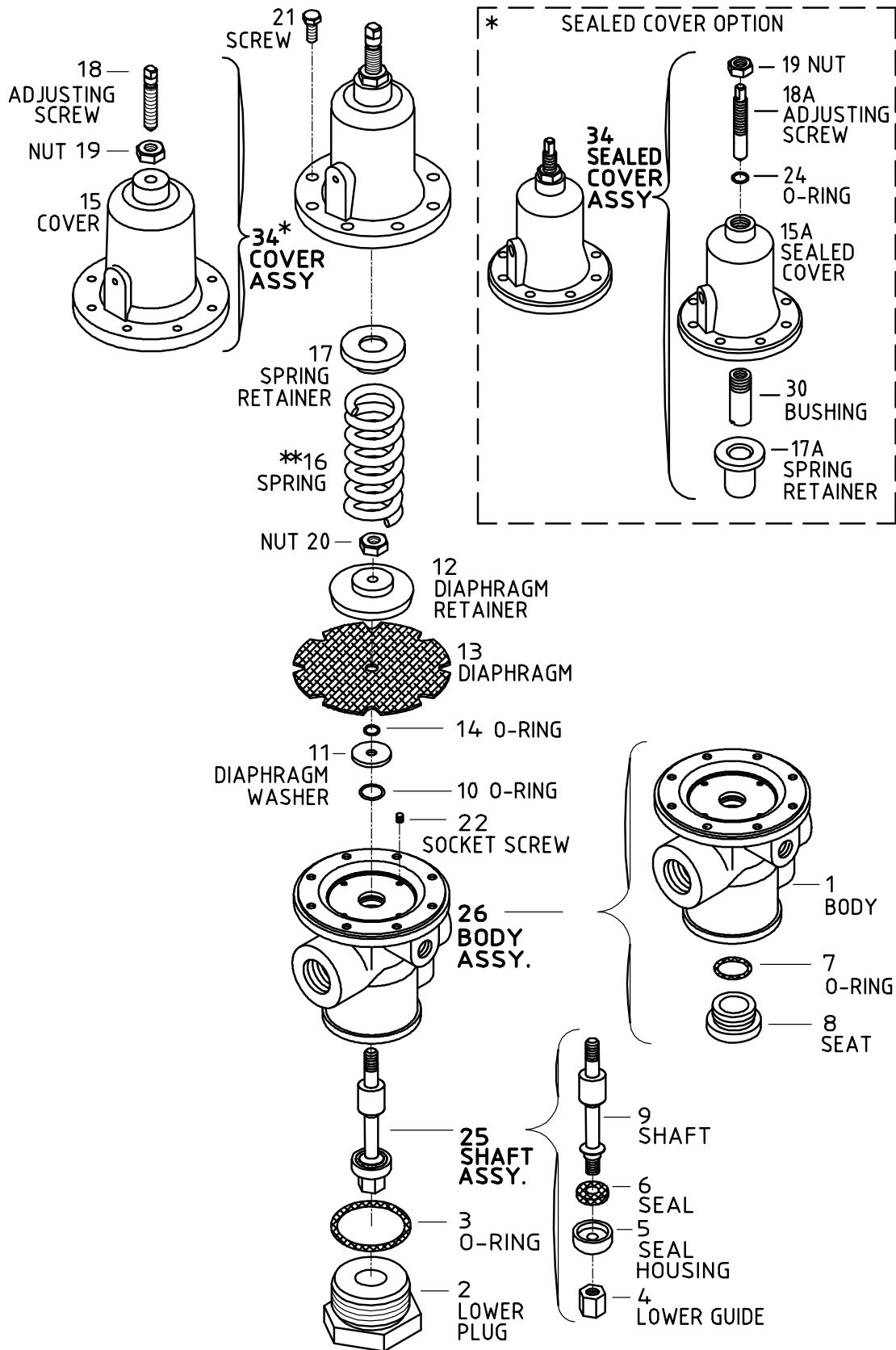
#8-40 & #8-80 3-way Altitude Pilot Valve (Maximum Setting 40 or 80 Meters)



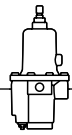
* - FOR #8-80 ONLY



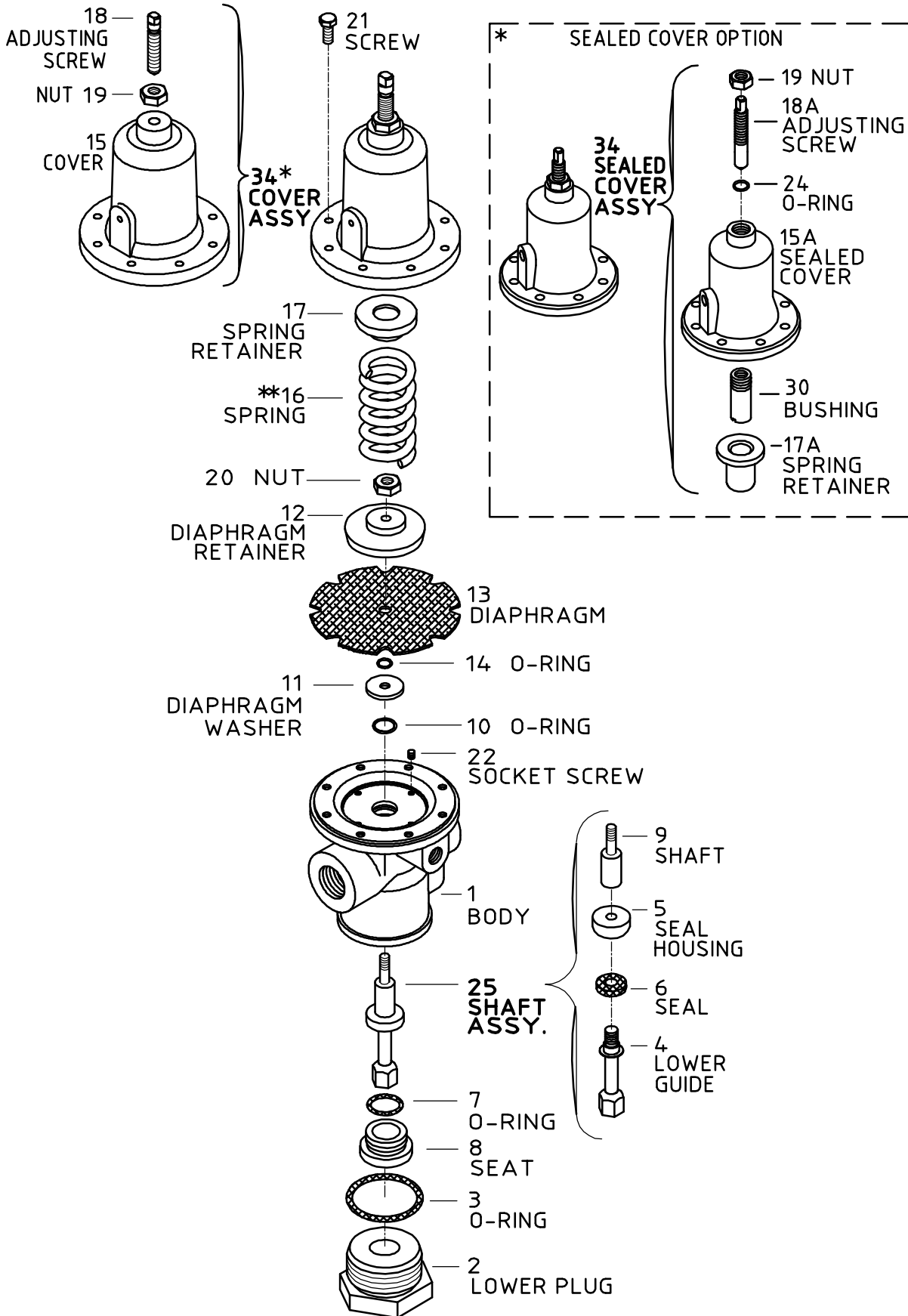
#2HC 2-way Way High Capacity Pressure Reducing Pilot Valve



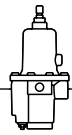
** RANGE OF SPRINGS



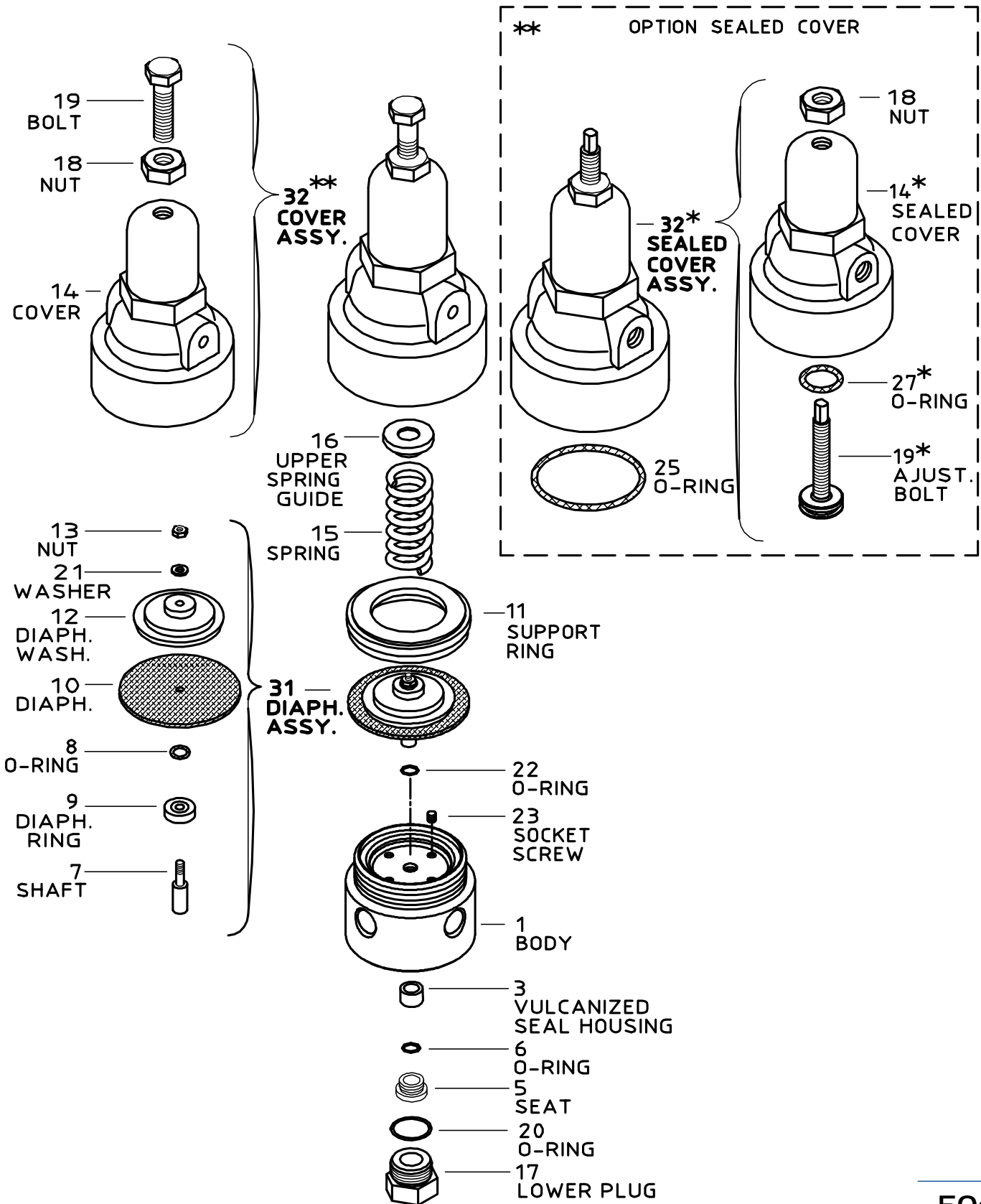
#3HC 2-way Way High Capacity Pressure Reducing Pilot Valve



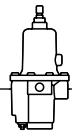
** RANGE OF SPRINGS



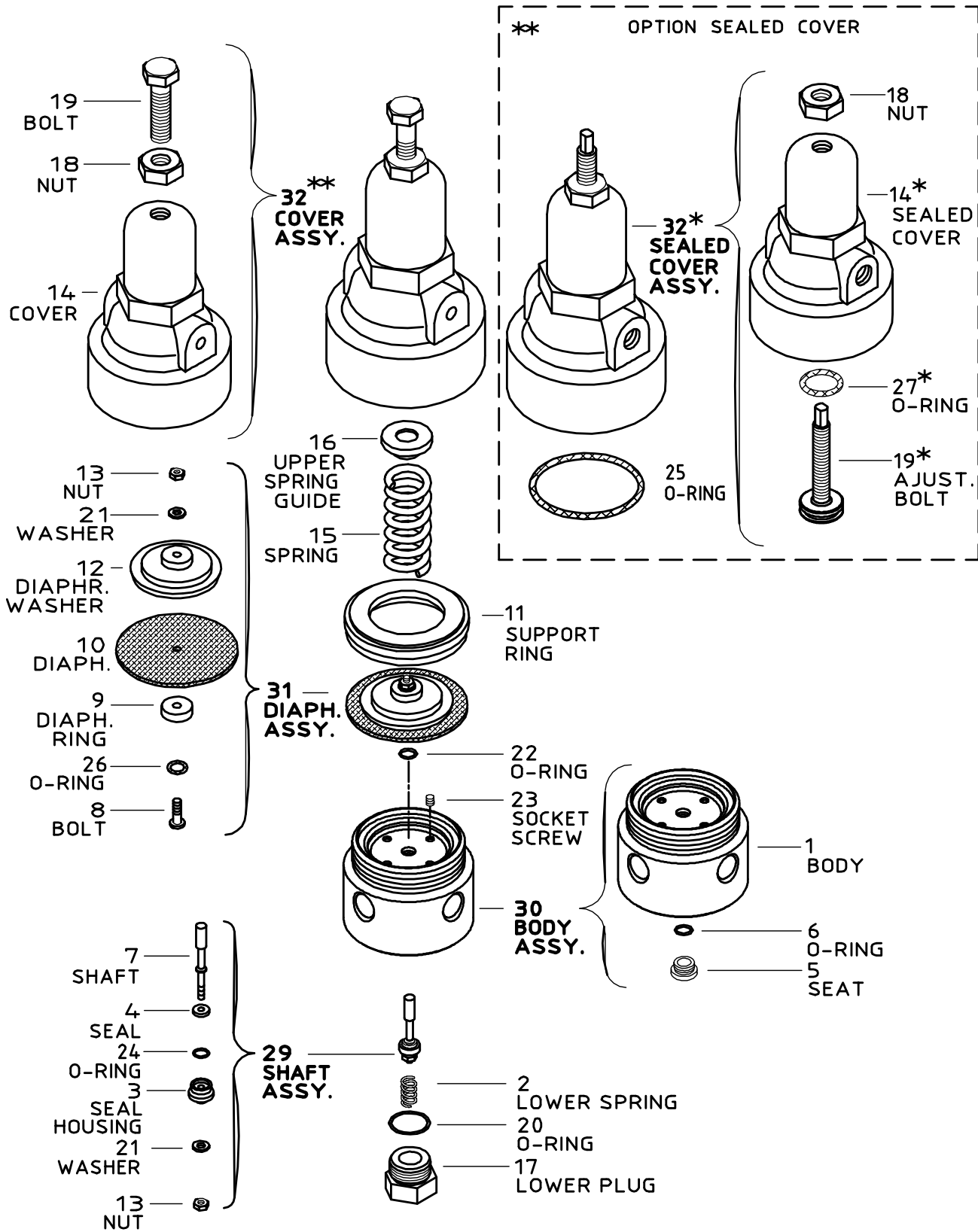
#3PB 2-way Pressure Sustaining Pilot Valve



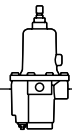
* - FOR SEALED COVER ONLY



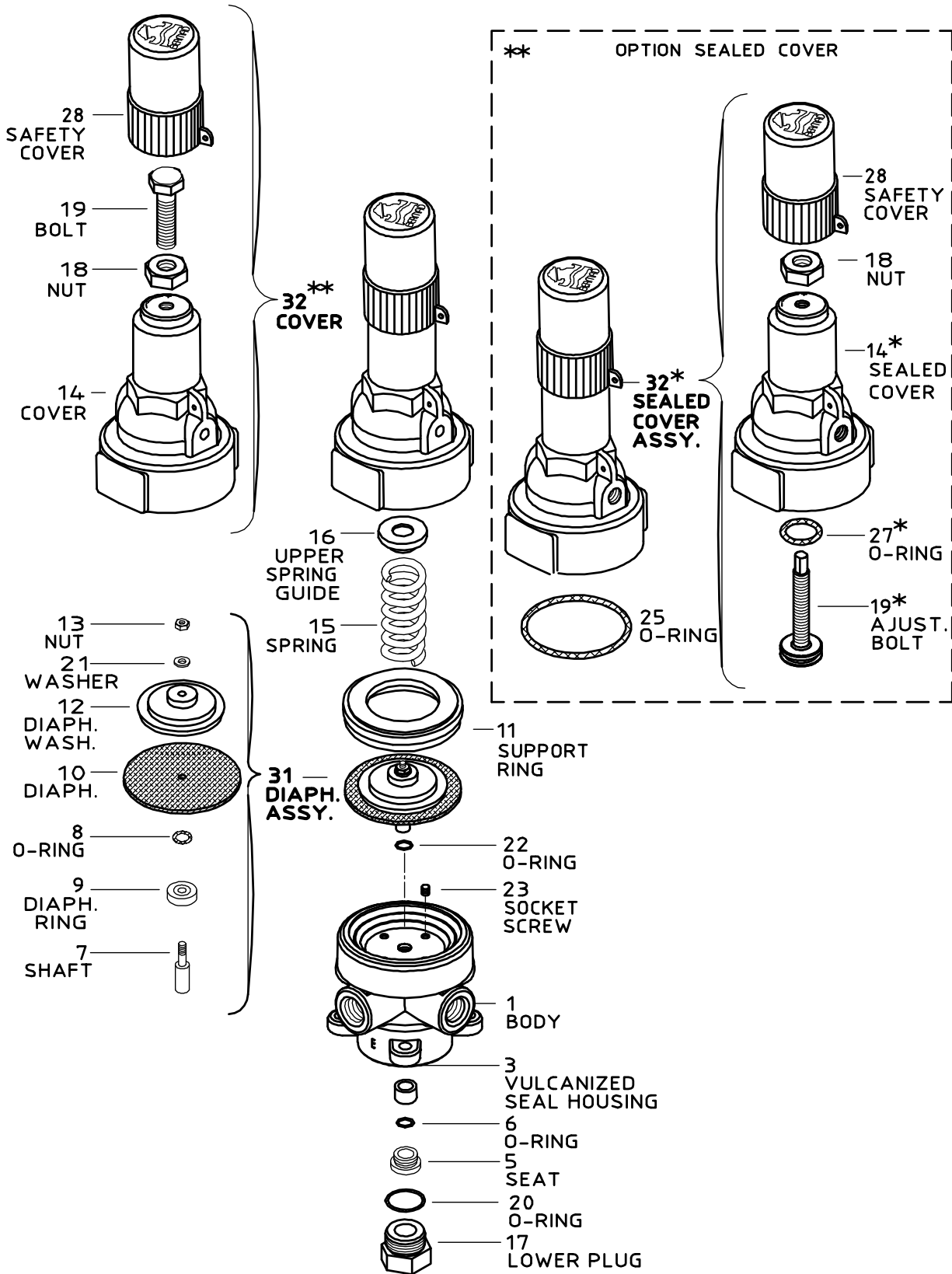
#2PB 2-way Pressure Reducing Pilot Valve



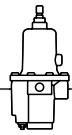
* - FOR SEALED COVER ONLY



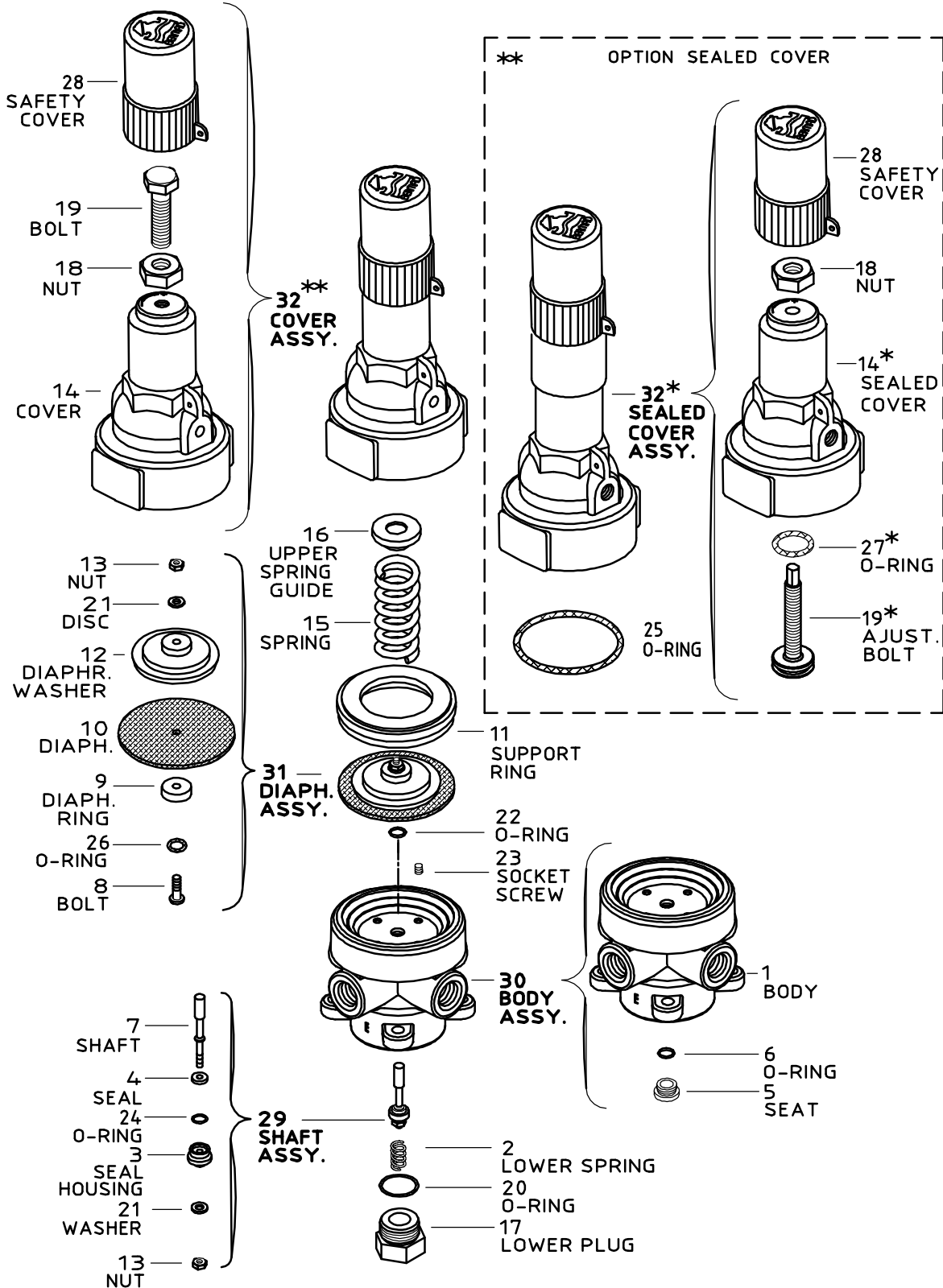
#3PB 2-way Stainless Steel Pressure Sustaining Pilot Valve



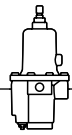
* - FOR SEALED COVER ONLY



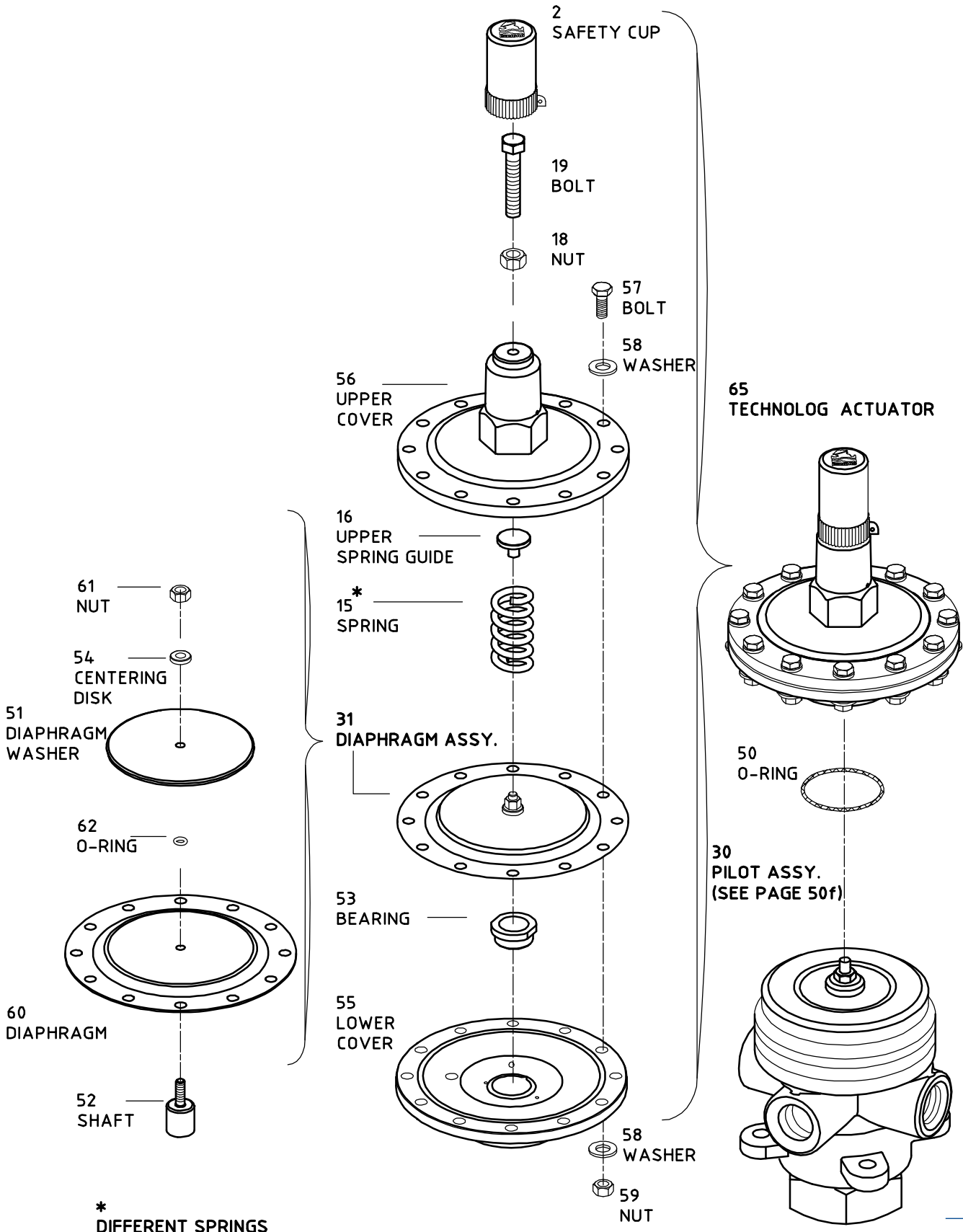
#2PB 2-way Stainless Steel Pressure Reducing Pilot Valve



* - FOR SEALED COVER ONLY

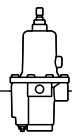


#2PB - 4T Pressure Reducing Pilot Valve with Technolog Actuator





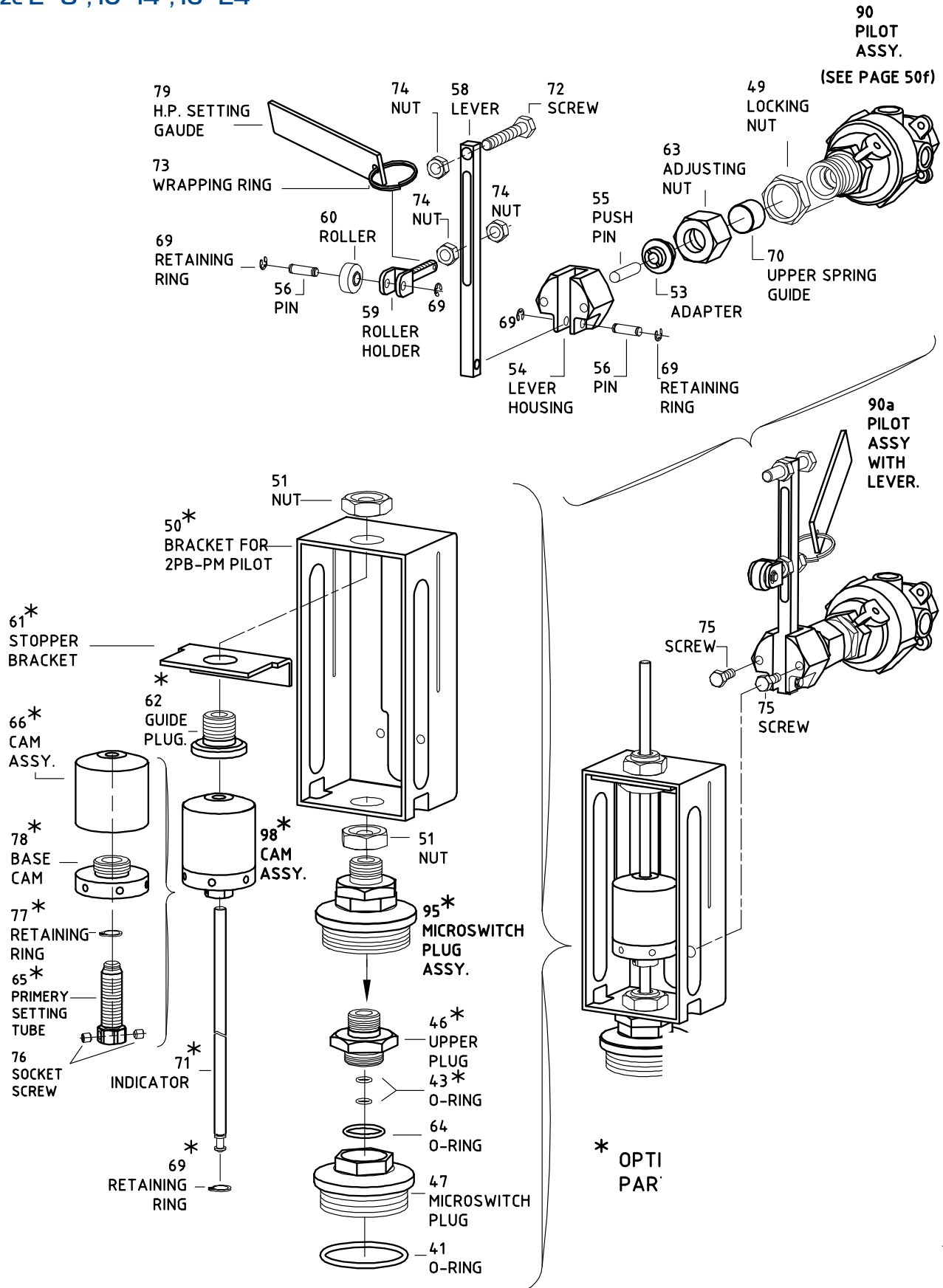
BERMAD WW Spare Parts



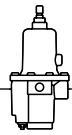
Pilots

#2PB-PM Pressure Management Pilot Assembly

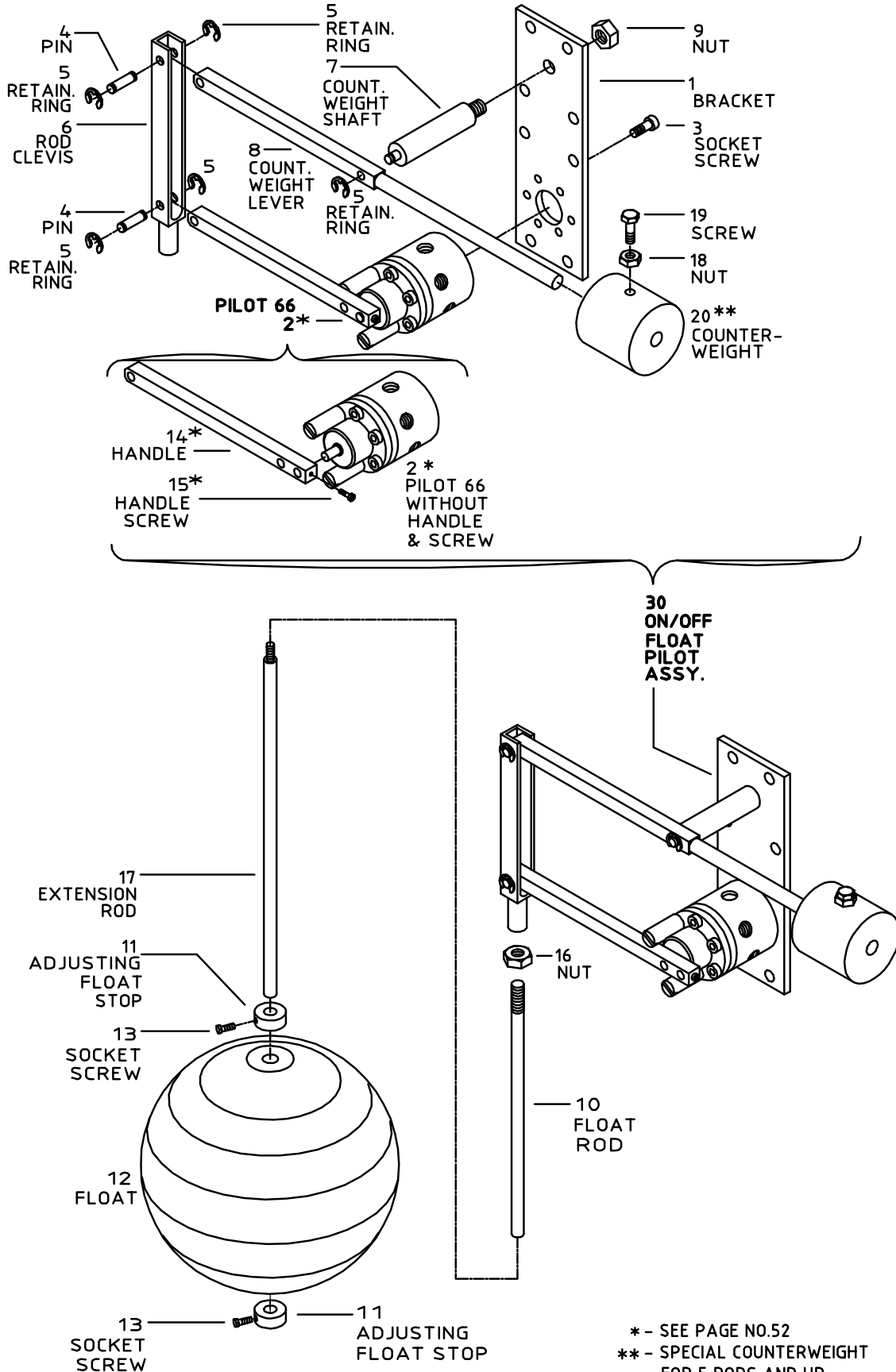
Size 2"-8", 10"-14", 16"-24"

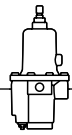


50pm

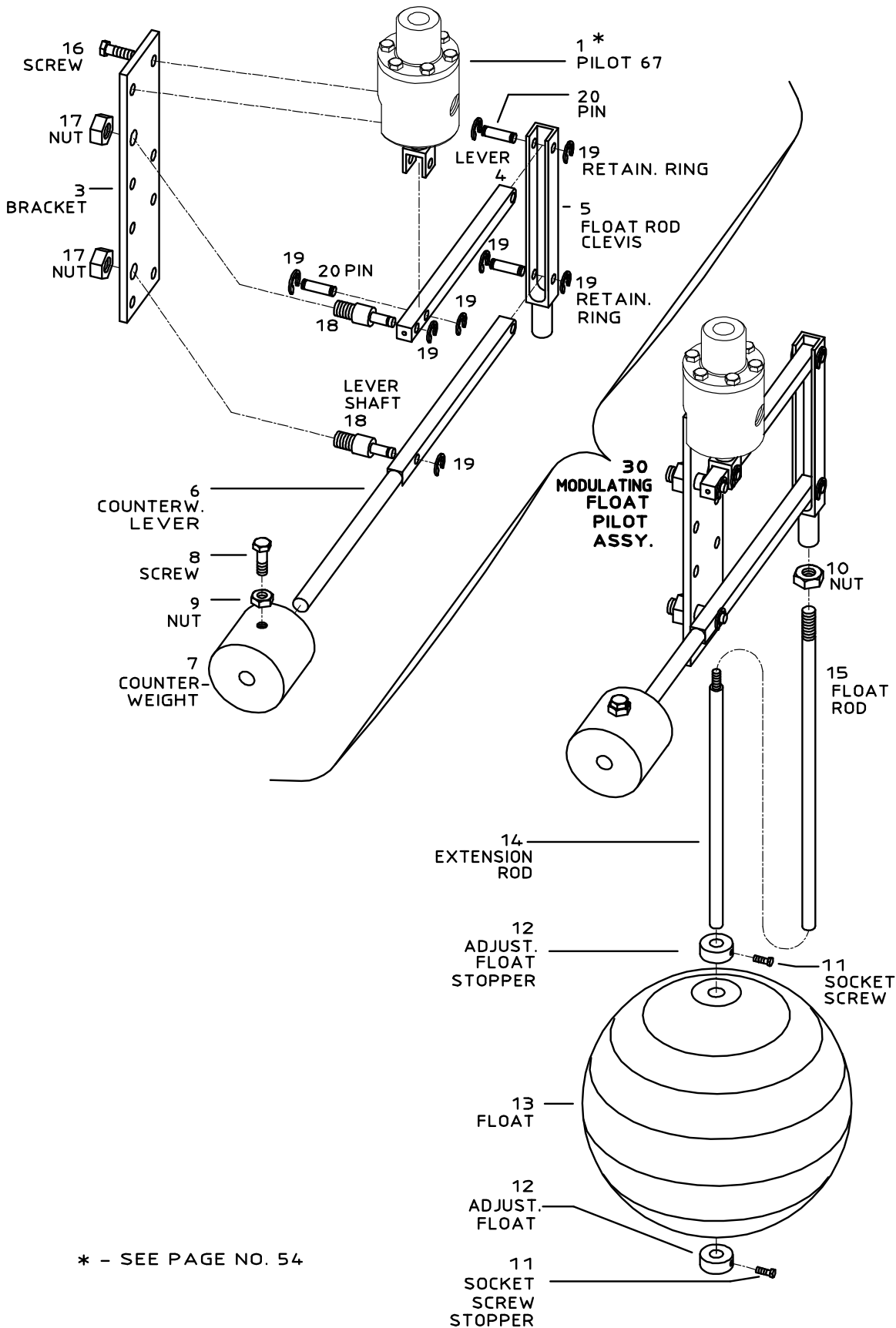


#66 4-way Bi-Level Float Pilot Valve (with Float Assembly)

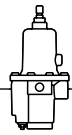




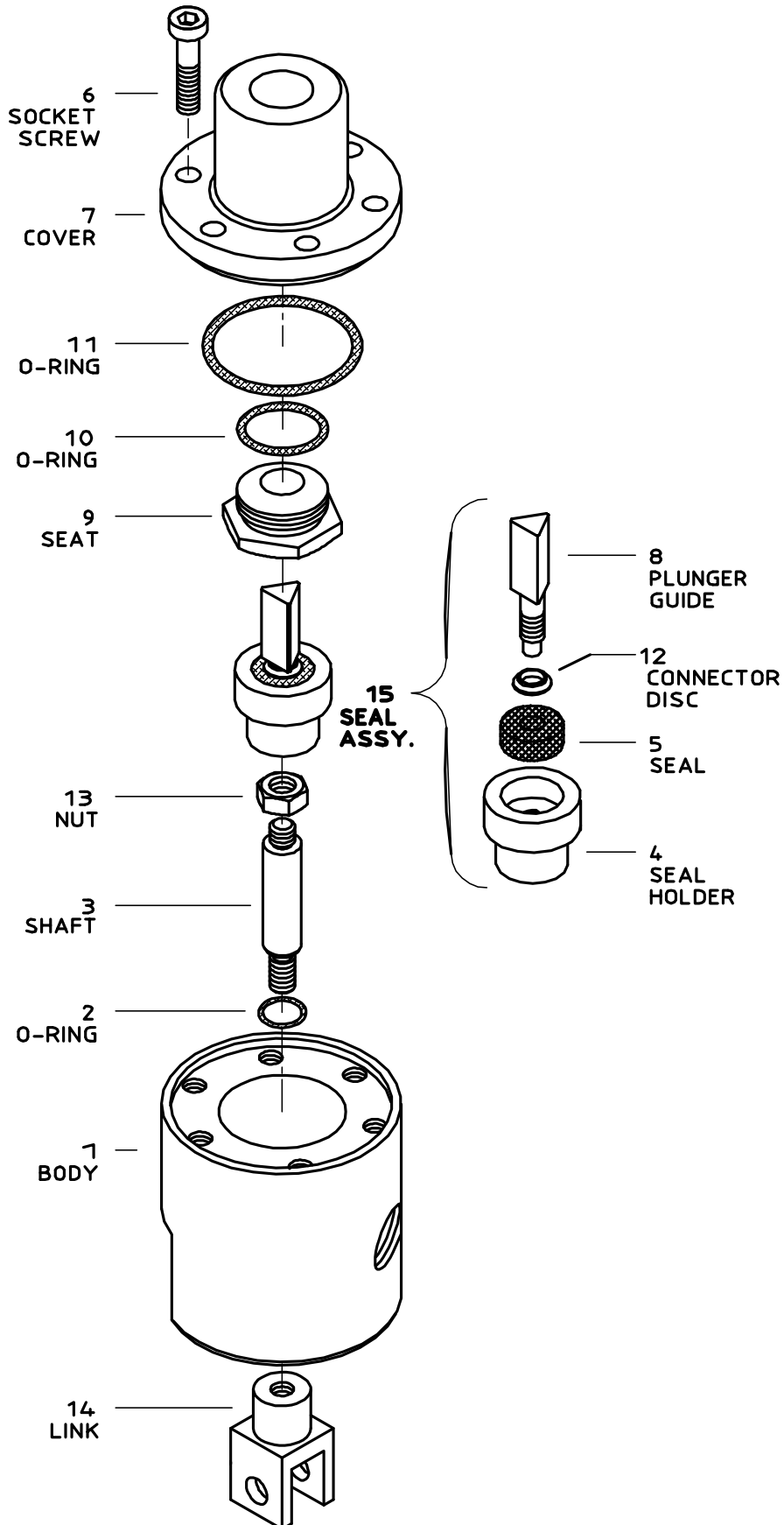
#67 2-way Modulating Float Pilot Valve (with Float Assembly)

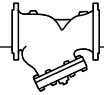


* - SEE PAGE NO. 54



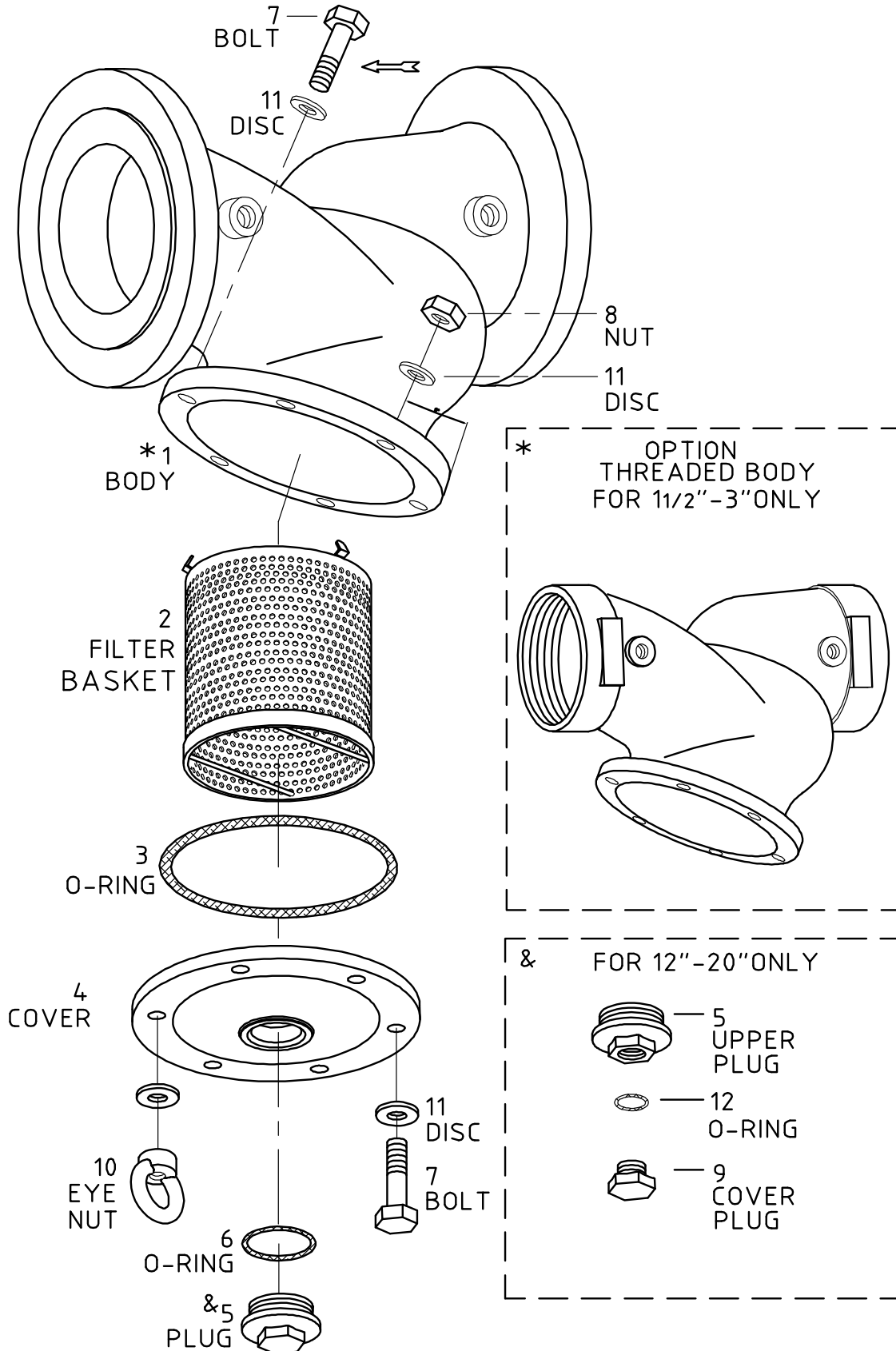
#67 2-way Modulating Float Pilot Valve (Pilot Valve Only)

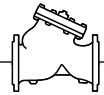




Strainers

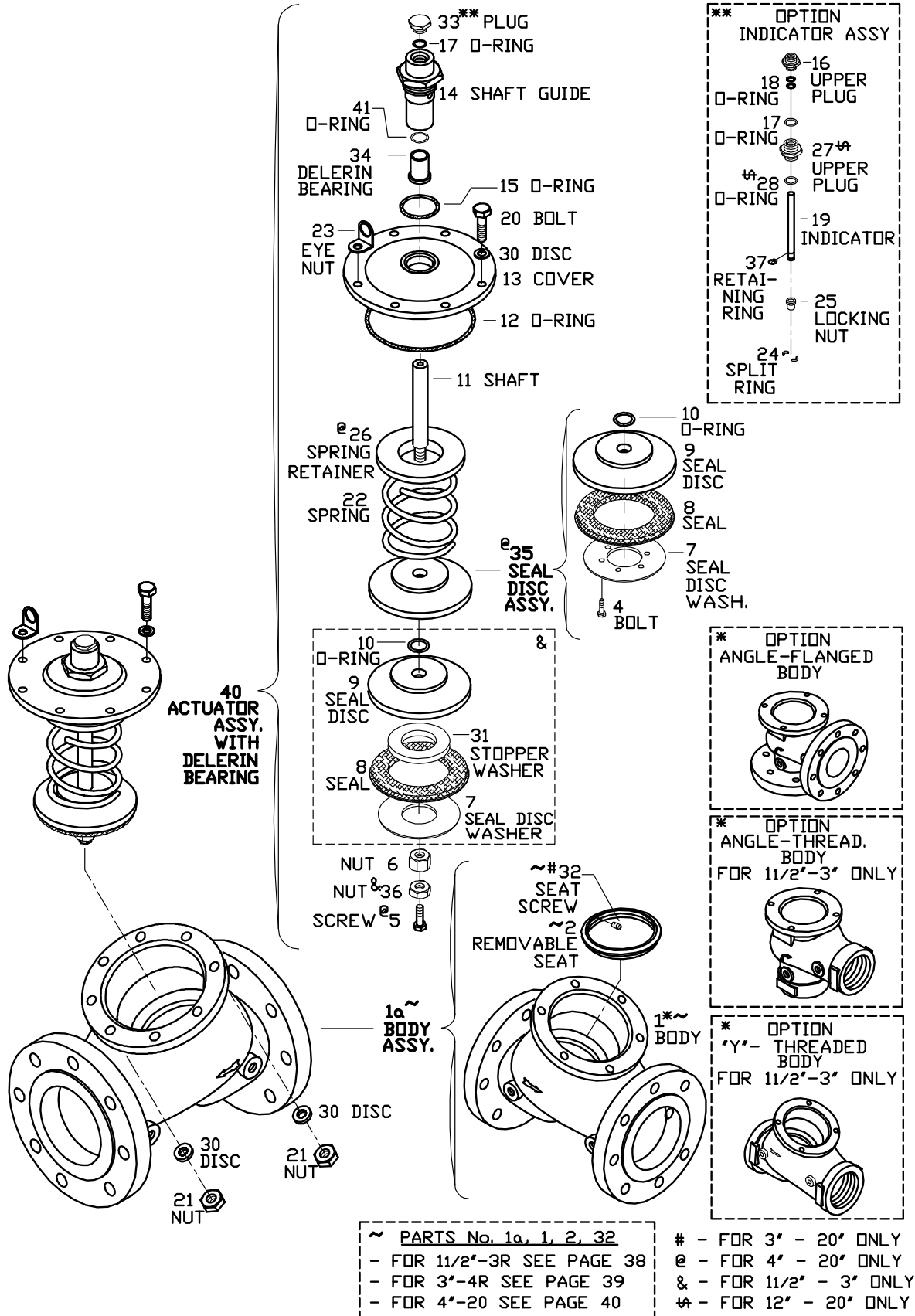
Sizes: 1 1/2" - 20"

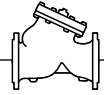




Check Valves

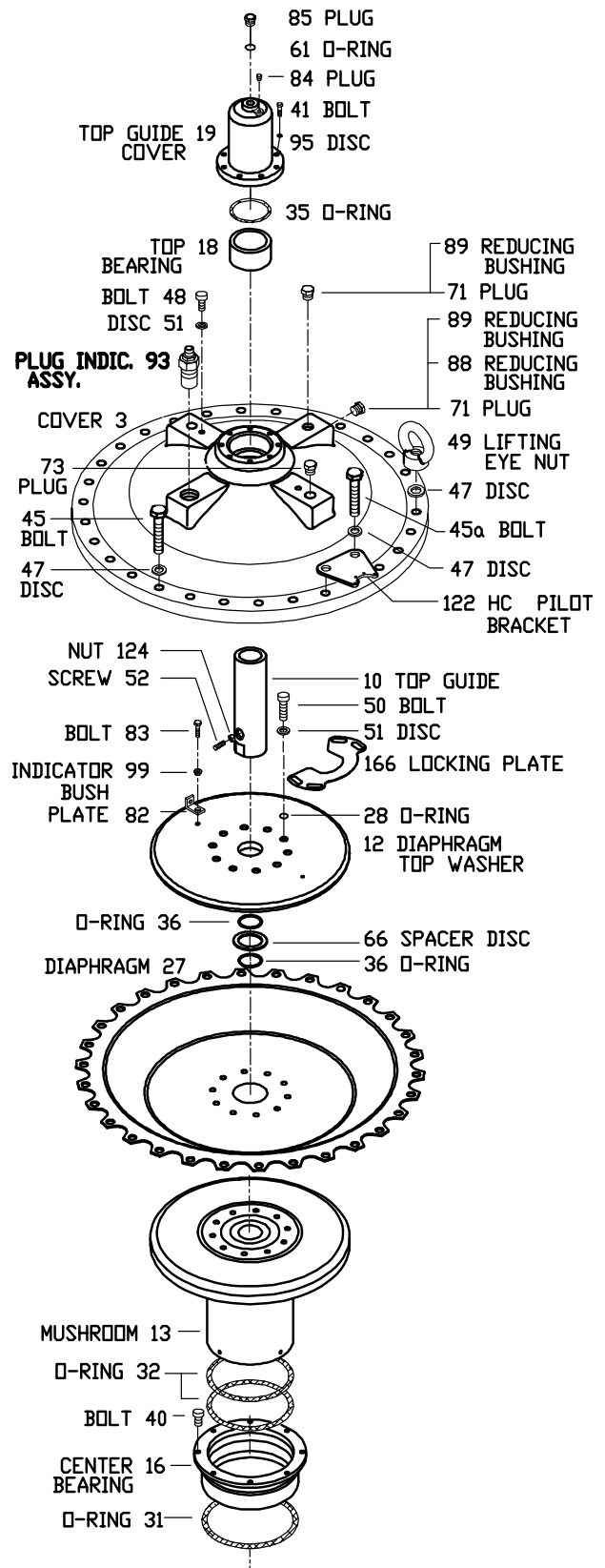
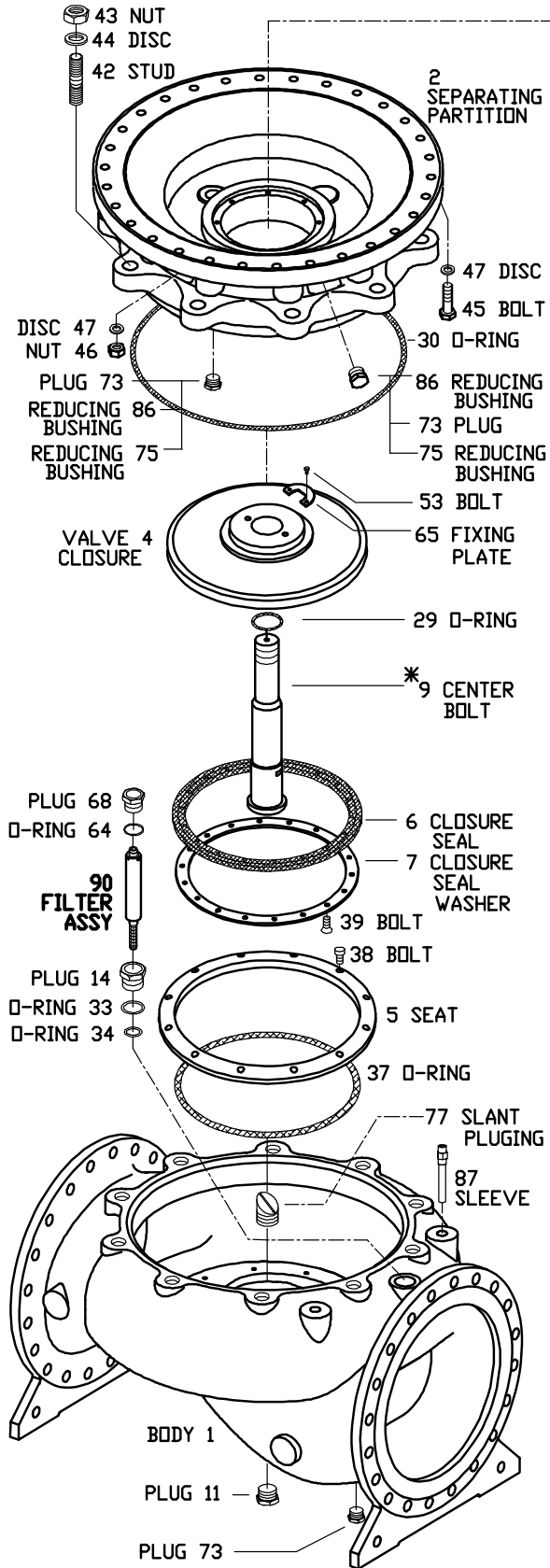
Sizes: 1 1/2" - 20"



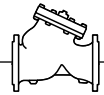


Diaphragm Actuated Basic Control Valve

Sizes 24"-36"



* - SEE PAGE 57a (KIT 150)



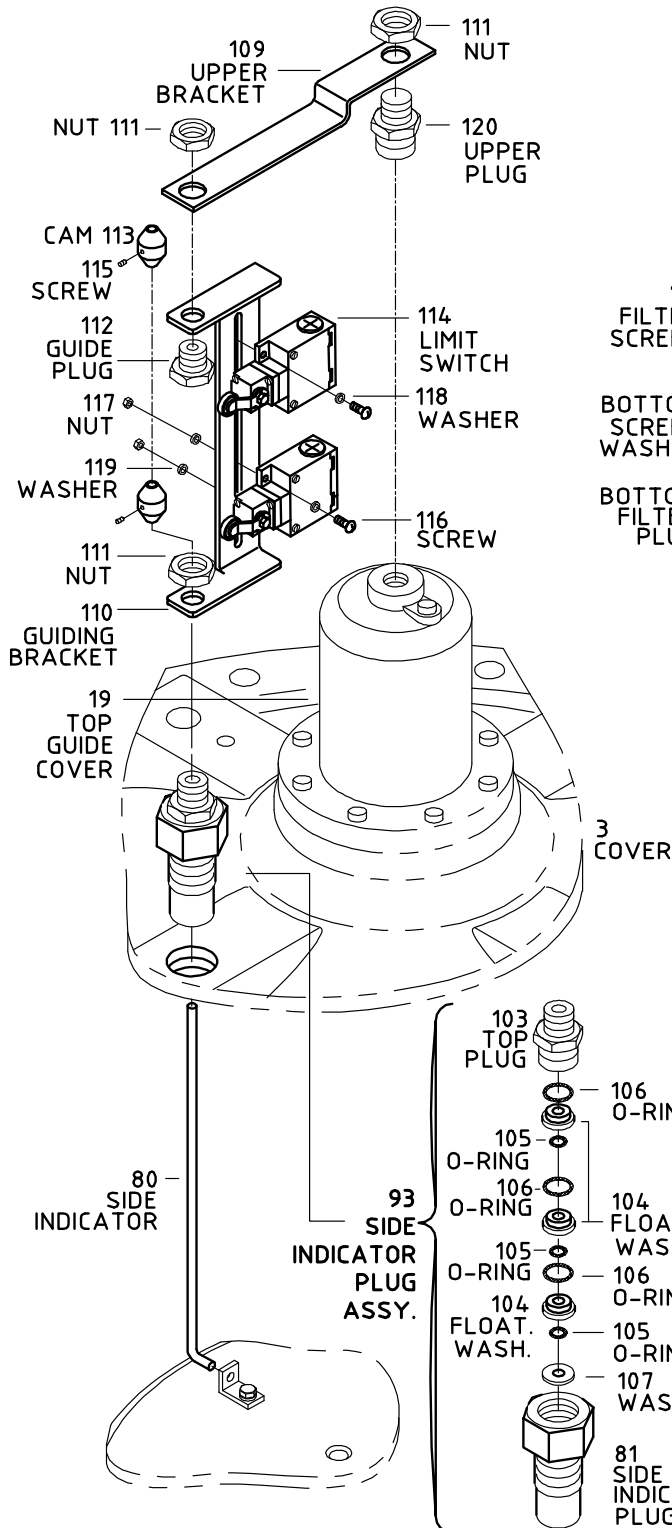
Main Valves - Options

Sizes 24"-36"

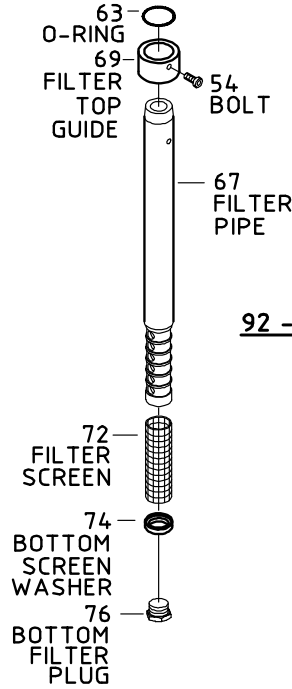
91 - SIDE INDICATOR ASSY.

91a - SINGLE ELECTRIC LIMIT SWITCH ASSY.

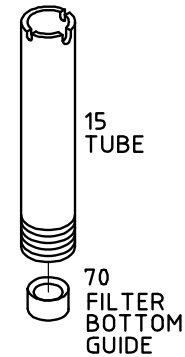
91b - DUBLE ELECTRIC LIMIT SWITCH ASSY.



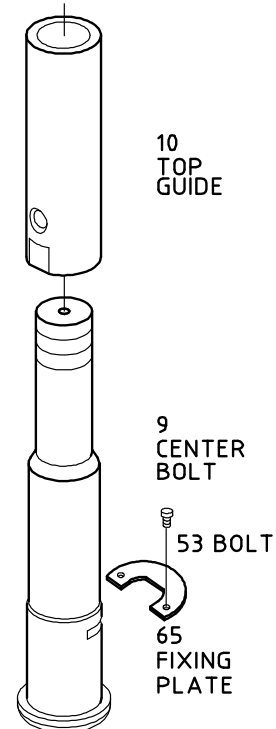
90 - FILTER ASSY.

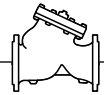


92 - TUBE FILTER ASSY



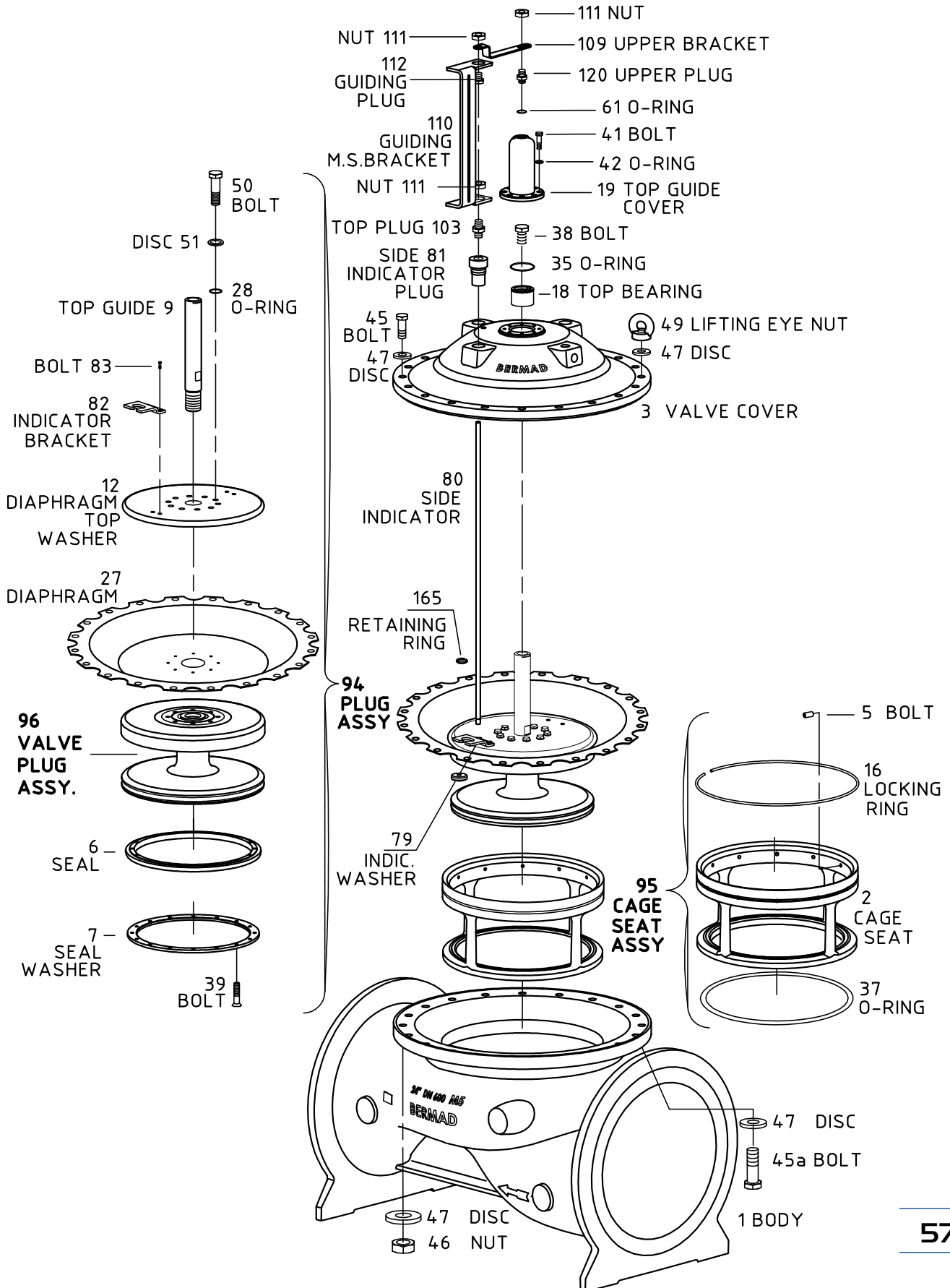
150 - KIT CENTER BOLT

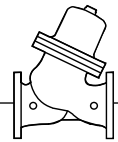




Diaphragm Actuated Control Valve

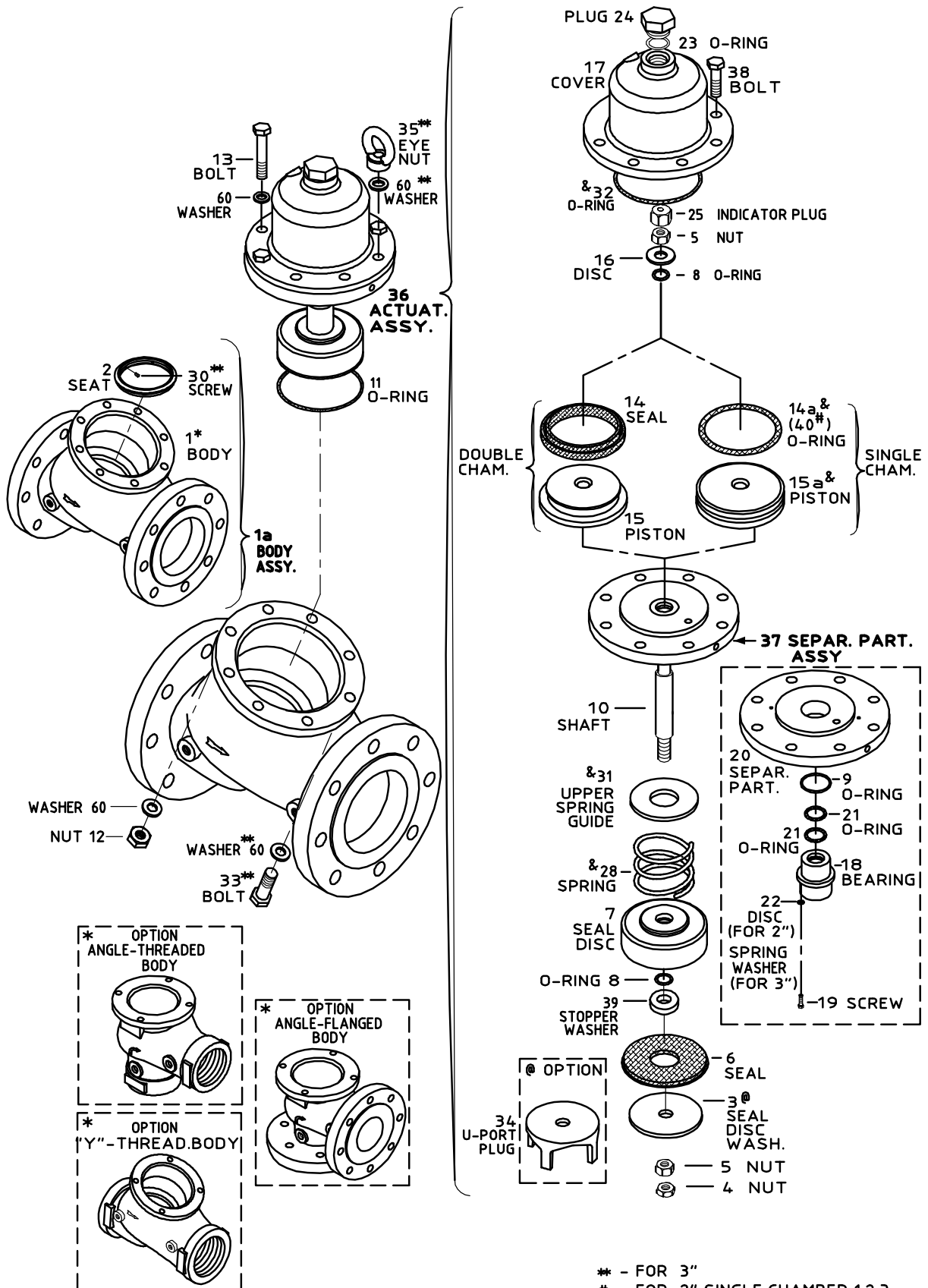
Size 24" - 28"



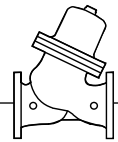


Piston Actuated Basic Control Valves – Single and Double Chamber

Size 1 1/2" - 3"

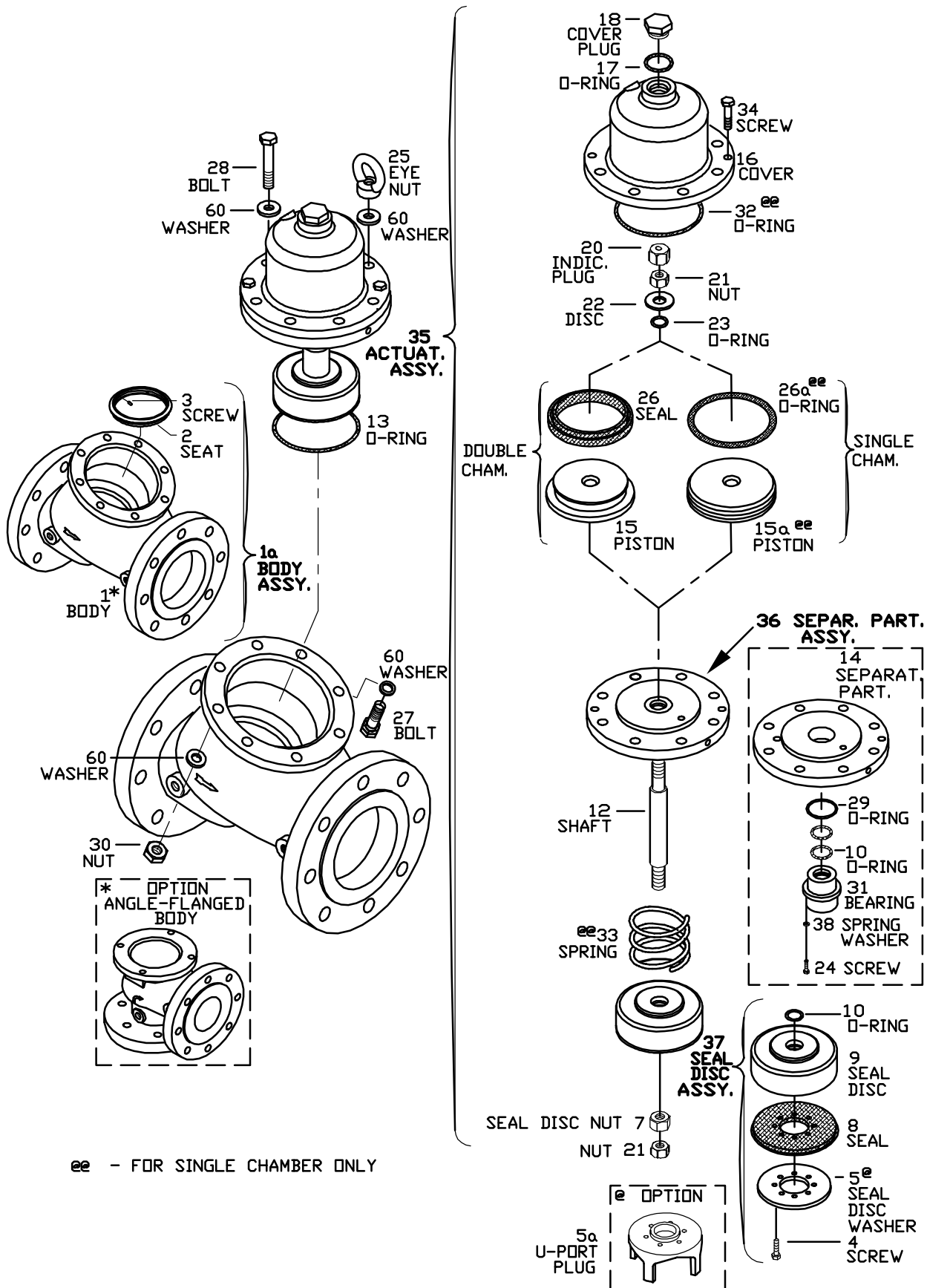


** - FOR 3"
 # - FOR 2" SINGLE CHAMBER 1:2.3
 & - FOR SINGLE CHAMBER ONLY

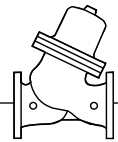


Piston Actuated Basic Control Valves – Single and Double Chamber

Size 4"

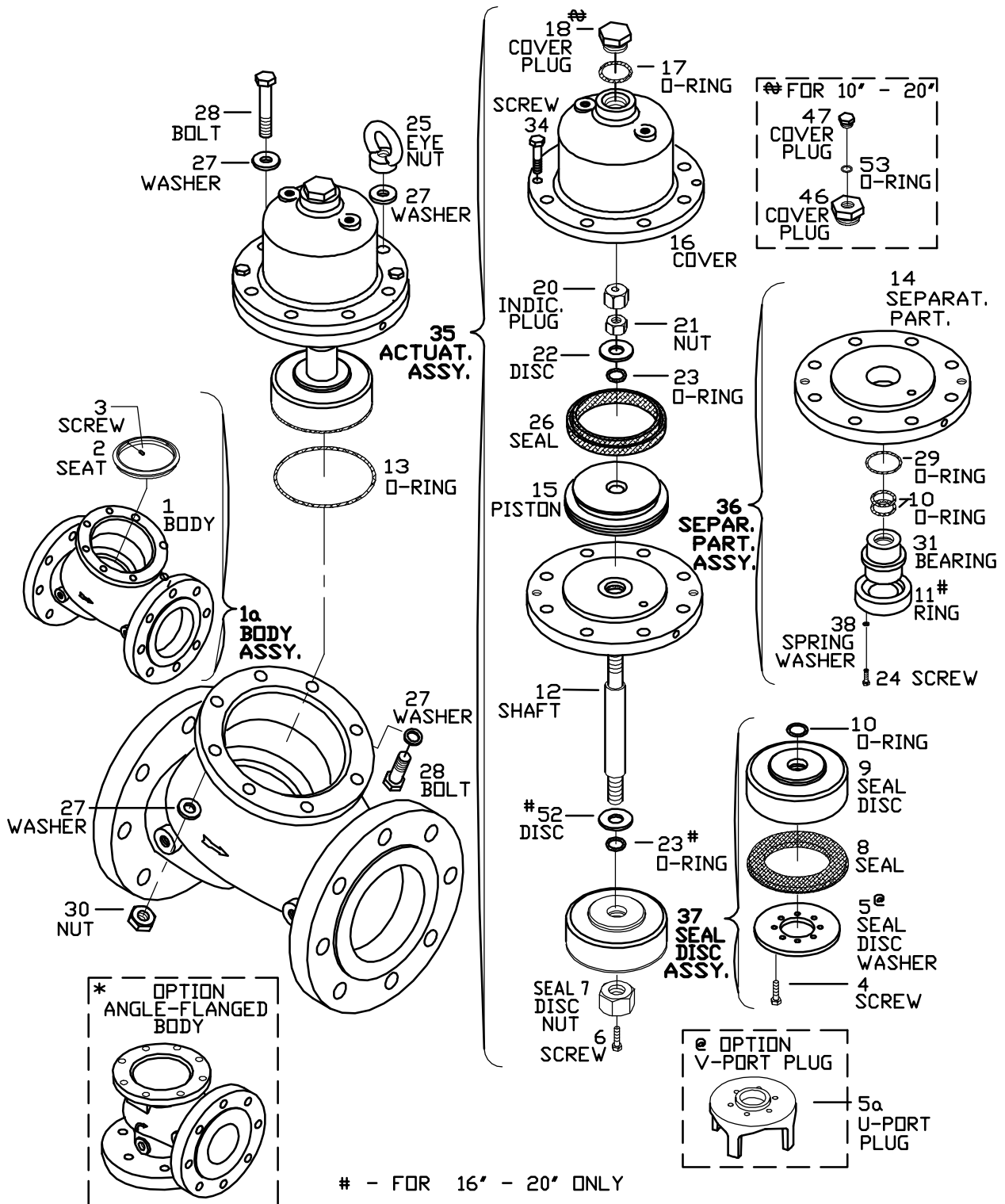


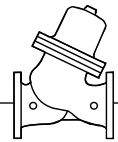
ee - FOR SINGLE CHAMBER ONLY



Piston Actuated Basic Control Valves – Single and Double Chamber

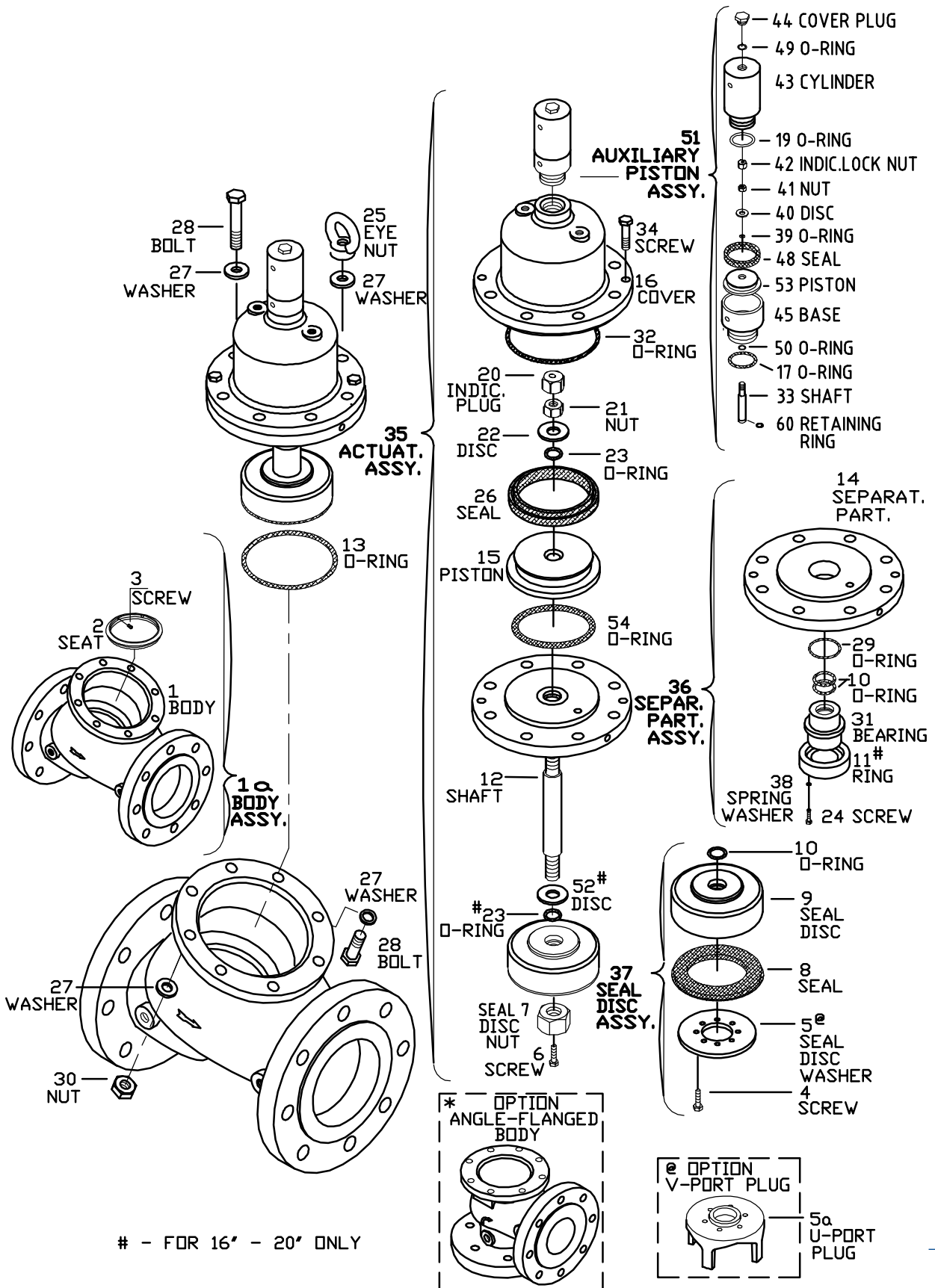
Size 6" - 20"

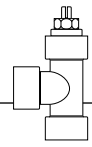




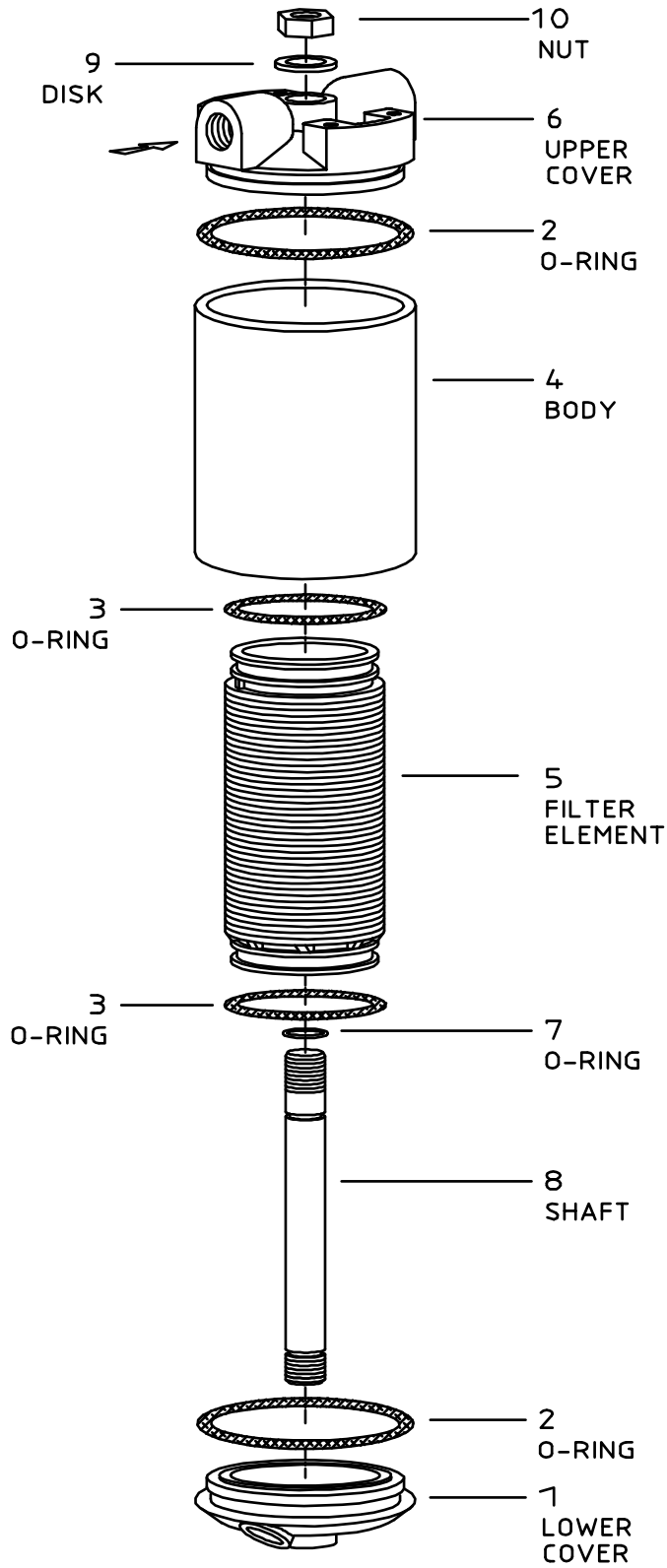
Piston Actuated Basic Control Valves – Single Chamber

Size 6" - 20"






Large Control Filter




Spare Parts
Ordering Guide

BERMAD

Water Control Solutions


BERMAD
Waterworks


BERMAD
Fire Protection


BERMAD
Petroleum


BERMAD
Irrigation


BERMAD
Landscape



info@bermad.com • www.bermad.com

The information herein is subject to change without notice. BERMAD shall not be held liable for any errors. All rights reserved.
© Copyright by BERMAD.

Dec. 2013 POXWE11