

"Apollo"[®]

INSTALLATION, OPERATION & MAINTENANCE MANUAL

2-1/2" - 12" Reduced Pressure Principle | Reduced Pressure Detector Assembly

RP4A | RPLF4A | RPDA4A | RPDLF4A | RPDA24A | RPDA2LF4A

ES1600 IOM BFMMRP4ALBF rev.a

SECTION	DESCRIPTION	PAGE
Reduced Pressure Principle Backflow Preventer RP4A / RPLF4A		
I	Description and Operation	3
II	Installation	3
III	Troubleshooting Guide	4
IV	Maintenance Instructions (RP/RPDA mainline)	5
	2-1/2" - 6"	5-7
	8" - 12"	7-11
V	Testing Procedures	12-13
Reduced Pressure Detector Assembly RPDA4A / RPDALF4A & RPDA24A / RPDA2LF4A		
VI	Description and Operation	14
VII	Installation	14
VIII	Maintenance Instructions - Bypass Single Check (Type 2)	23
IX	Maintenance Instructions - Bypass RP (Type 1)	36
Parts List		
	2-1/2" - 6" RP & RPDA (Mainline)	16-17
	8" - 12" RP & RPDA (Mainline)	13-14
	2-1/2" - 12" RPDA2 (Type 2) Bypass Single Check	15
	2-1/2" - 12" RPDA (Type 1) Bypass RP	28
Repair Kits		
	2-1/2" - 6" Check Valves	18
	8" - 12" Check Valves	18
	2-1/2" - 6" Relief Valves	21
	8" - 12" Relief Valves	21
	Bypass Single Check (RPDA Type 2)	22
	Bypass RP (RPDA Type 1)	35
	Bypass Line Kits	23-33
	Shut-off Valves	37-39

I. DESCRIPTION AND OPERATION

The Reduced Pressure Principle (RP) device consists of two independently-acting, spring-loaded check valves, together with a hydraulically dependent, mechanically independent pressure differential relief valve, located in the zone between the check valves. Two resilient seated shut-off valves and four test cocks complete the assembly.

The first check is designed to maintain a minimum of 5 psi across the check valve. The second check is designed to maintain a minimum of 1 psi across the check valve during normal operation. The relief valve operates on a differential pressure. Supply pressure on the upstream side of the first check valve acts against the diaphragm to close the relief valve during normal operation. In the event of back-pressure, the relief valve will open to maintain the pressure in the "zone" at least 2 psi less than the inlet pressure.

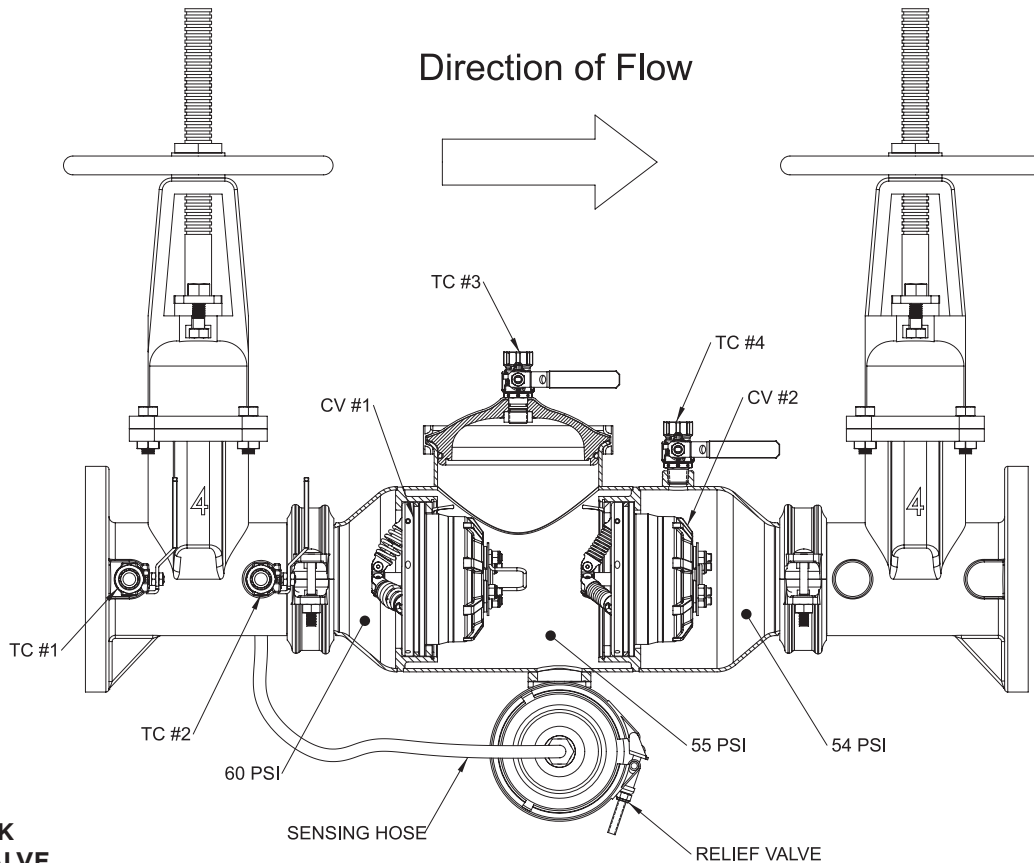
II. INSTALLATION

1. The RP must be installed in an accessible location to facilitate periodic field testing and maintenance.
2. The location selected should have adequate drainage for relief valve discharge. The device should never be placed where it may be submerged in standing water.
3. Flush all upstream piping thoroughly to remove foreign matter prior to installing the device.
4. The device should be installed in the horizontal position. A clearance between the lower most portion of the device and flood grade or floor should be provided for ease of maintenance.
5. If shut-off valves are provided separately, they must include tapped bosses for attachment of the sensing hose, the #1 test cock, and the #2 test cock. Contact the factory for installation instructions.
6. After installing the assembly and with downstream or #2 shut-off valve closed, pressurize the device and bleed air through test cock #4. Then open #2 shut-off valve.

OTHER INSTALLATION TIPS

- The installation location should have adequate drainage for relief valve discharge. The device should never be placed where it may be submerged in standing water. Do not install in areas subject to freezing without using a properly designed enclosure.
- As in any piping system, provisions should be made to minimize water hammer and pressure rise due to thermal expansion, as these conditions can create damaging and dangerously high internal pressures.
- A "Y" strainer can be installed just upstream of the RP assembly to eliminate any debris from entering the device and fouling the check and/or relief valve. Note: Strainers are normally not allowed on fire protection systems. Check with local authorities.

FIGURE 1



TC: TEST COCK
CV: CHECK VALVE

Note: Pressures are for illustrative purposes only and are not necessarily indicative of any actual valve.

III. TROUBLESHOOTING

SYMPTOM	CAUSE	CORRECTIVE ACTION
Relief valve continuously discharges during no-flow condition.	<ol style="list-style-type: none"> #1 check valve fouled with debris. #2 check valve fouled with debris coupled with a back-pressure condition. #1 check poppet stem not moving freely in guide (or #2 check poppet during a back-pressure condition) 	<ol style="list-style-type: none"> Inspect and clean seat disc and seat Inspect and clean seat disc and seat. Inspect for debris or deposit on poppet stem or guide.
Relief valve discharges continuously during flow and no-flow conditions.	<ol style="list-style-type: none"> Relief valve fouled with debris. Damaged diaphragm (allows water to pass through from inlet to zone). Sensing passage to inlet side of diaphragm plugged. #1 check poppet stem not moving freely in poppet guide. 1st and 2nd check springs are in wrong check. 	<ol style="list-style-type: none"> Inspect and clean relief valve seat disc and seat. Replace diaphragm. Inspect and clean passage in cover and body. Inspect for debris or deposits on poppet stem or guide. Switch springs to proper check location.
Relief valve discharges intermittently in a "spitting" action during no-flow condition.	<ol style="list-style-type: none"> Pressure fluctuations or water hammer from supply. 	<ol style="list-style-type: none"> Eliminate or reduce supply pressure fluctuations.
Relief valve does not open during test No. 1.	<ol style="list-style-type: none"> #2 shut-off valve not closed completely. Test equipment improperly installed. Plugged sensing line. 	<ol style="list-style-type: none"> Close #2 shut-off valve or inspect for possible through leakage. Recheck test procedure. Clean sensing line.
#2 check valve fails to hold back-pressure.	<ol style="list-style-type: none"> #2 shut-off valve not closed completely. #2 check valve fouled with debris. #2 check poppet stem not moving freely in guide. 	<ol style="list-style-type: none"> Close #2 shut-off valve or inspect for possible through leakage. Inspect and clean seat disc and seat. Inspect for debris or deposits on poppet stem or guide.
Pressure differential across #1 check valve is low during field test No. 3 (does not meet 5 PSID minimum).	<ol style="list-style-type: none"> #1 check valve fouled with debris. Upstream pressure fluctuations causing inaccurate gauge reading. #1 check poppet stem not moving freely in guide. 	<ol style="list-style-type: none"> Inspect and clean seat disc and seat. Eliminate pressure fluctuations. Inspect for debris or deposits on poppet stem or guide.

IV. MAINTENANCE INSTRUCTIONS - 2-1/2" - 6"

IV. MAINTENANCE INSTRUCTIONS - 2-1/2" - 6"

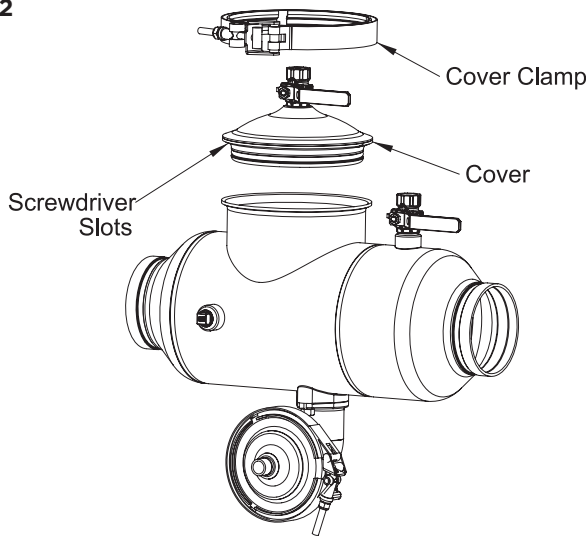
Open test cocks #2, #3, and #4 to relieve pressure from the device. Both shut-off valves must be closed.

A. CHECK REMOVAL

Note: If the first check disc needs only to be cleaned, it is not necessary to remove the entire check module from the valve body. See the next section, "Check Maintenance", for seat disc cleaning instructions.

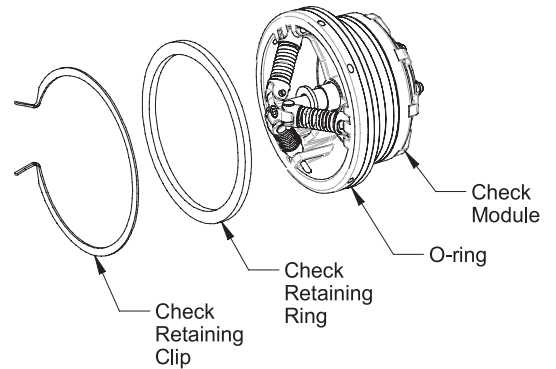
1. Remove the cover clamp by backing off the reusable locknut until the latch can be disengaged from the T-bolt. Pull the clamp apart and slide away from the valve. (See Figure 2)
2. Lift off the cover. A flat screwdriver will aid in lifting the cover out of the body. Screwdriver slots are provided on the perimeter of the cover. The first check must be removed first and then the second check may be removed.
3. Remove the check-retaining clip by pinching the clip ears together. This will disengage the clip from its groove. Remove clip and check-retaining ring. Pull check module straight out of body. The check module is sealed in place with an o-ring. (See Figure 3)

FIGURE 2



(SENSING HOSE NOT SHOWN)

FIGURE 3

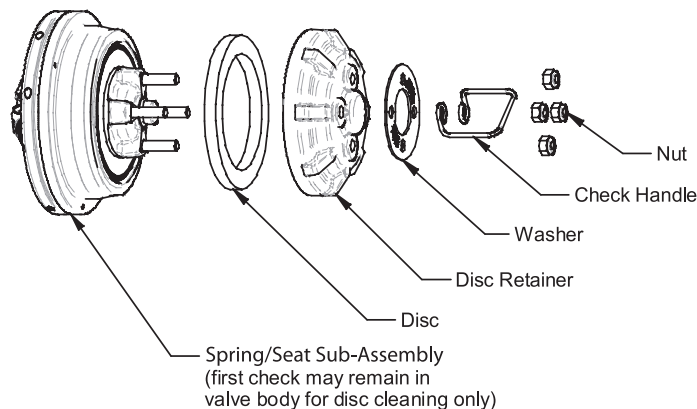


B. CHECK MAINTENANCE

If only cleaning of the first check is necessary, simply remove the three (3) reusable locknuts for 2-1/2" & 3" valves / four (4) nuts for 4" & 6" valves on the black plastic disc retainer (See Figure 4). SUGGESTION: Place a rag over the relief valve opening inside the valve body to prevent the locknuts from falling into the relief valve. Remove the check handle and washer and lift the disc retainer and disc out of the body. Rinse the disc with clean water or replace if necessary. The disc may be flipped over for a temporary repair, but should be replaced if damaged. Replace the disc, disc retainer, washer, handle, and nuts. Do not over tighten locknuts.

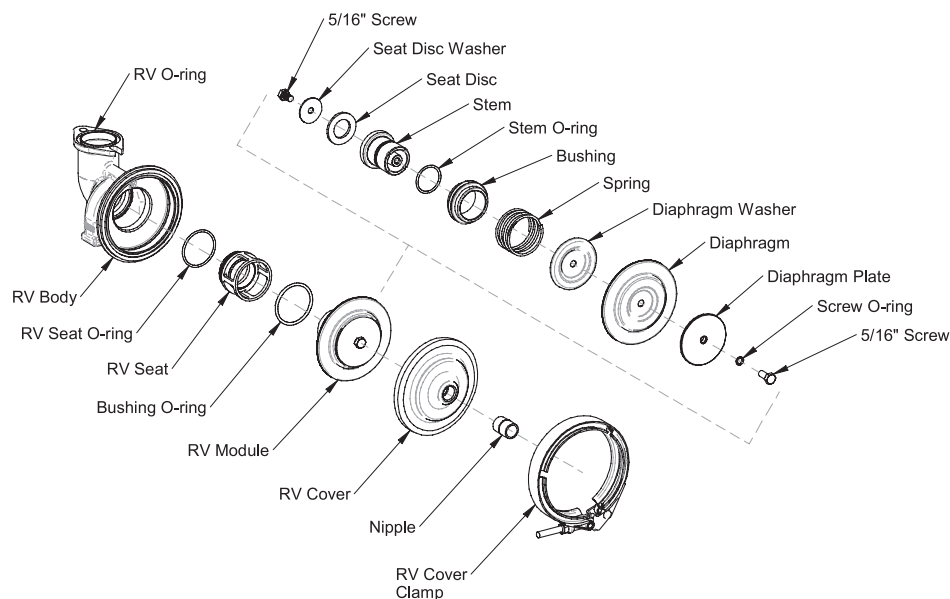
NOTE: The springs are factory installed and should not be removed or adjusted. Serious injury could occur if springs are disassembled.

**FIGURE 4
2-1/2" - 6" SIZES**



IV. MAINTENANCE INSTRUCTIONS - 2-1/2" - 6"

FIGURE 5
2-1/2" - 6" SIZES



C. RELIEF VALVE MAINTENANCE

1. Unscrew the sensing hose from the nipple (sensing hose is not shown). (See Figure 5)
2. The RV can be serviced while still attached to the valve or it can be removed (rarely needed).
3. Remove the clamp by backing off the nut until the latch can be disengaged from the T-bolt. Pull the clamp apart and slide away from the RV.
4. Remove the RV cover.
5. Remove the RV module by grasping the diaphragm plate and pulling straight out.
6. Inspect the RV seat disc for debris or damage. To clean or replace the RV seat disc, remove the 5/16" screw on the seat disc washer. The RV disc may be flipped over for a temporary repair, but should be replaced if damaged. Replace the seat disc, seat disc washer, and 5/16" screw.
7. Lubricate the bushing o-ring with Apollo® supplied lubricant, Dow 111 or equal, and insert the RV module into the valve body.
8. The RV diaphragm has a rubber bead that fits into a groove in the RV body. Ensure the diaphragm bead is seated properly in the RV body before installing the RV cover.

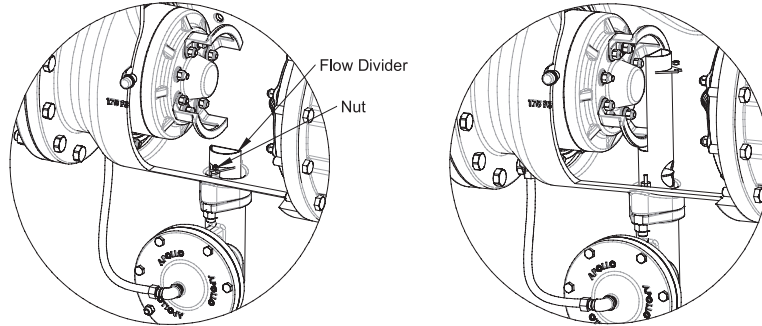
If it is necessary to disassemble the RV module and/or remove the RV seat:

1. Remove the RV module as described above.
2. Remove the 5/16" screw on the diaphragm plate. Use caution as this will disengage the spring.
3. Remove the 5/16" screw on the seat disc washer.
4. Inspect all components for damage, paying particular attention to the diaphragm, seat disc, o-rings, and stem. If any of these components are worn or damaged, they should be replaced.
5. Lubricate the stem, stem o-ring, and RV seat o-ring with Apollo® supplied lubricant, Dow 111 or equal.
6. Reassemble RV module.
7. Remove the RV seat by grasping the cage and pulling straight out. A flat screwdriver may aid in removal.
8. Inspect the seat and seat o-ring for damage. If damaged, they should be replaced.
9. Insert the seat into the RV body. Ensure that it is fully seated.
10. Lubricate the bushing o-ring with Apollo® supplied lubricant, Dow 111 or equal and insert the assembled RV module into the valve body. Ensure the diaphragm bead is seated properly before installing the RV cover.
11. Replace the cover and clamp.
12. Inspect the sensing hose and replace if damaged.
13. Reinstall the sensing hose to the nipple.

IV. MAINTENANCE INSTRUCTIONS

8" - 12" SIZES

Open test cocks #2, #3, and #4 to relieve pressure from the device. Both shut-off valves must be closed.



NOTE: On 10" & 12" models, the flow divider (FD) must be removed before the checks are removed. To remove the FD, remove the 1/4" nut holding it in place. Then rotate the FD 90° and lift up and out of the valve body. Pay attention to which side of the body the FD is attached. The FD's tab should be oriented on the same side as the cover of the relief valve body. If the relief valve needs to be turned 180°, the FD must also be rotated 180°.

A. CHECK REMOVAL

Note: If the first check disc needs only to be cleaned, it is not necessary to remove the entire check module from the valve body. See the next section, "Check Maintenance", for disc cleaning instructions.

1. Take off the cover coupling by removing the two bolts and nuts.
2. Lift off the cover. The gasket may remain on the valve body. See Figure 6. Note: The 10" & 12" valves are equipped with lifting tabs for cover lifting only. This tab should not be used to lift the entire valve.
3. Remove the six (6) reusable locknuts for 8" valves / eight (8) nuts for 10" & 12" valves on the check seat with a 3/4" socket and ratchet.

SUGGESTION: Place a rag over the relief valve opening inside the valve body to prevent the locknuts from falling into the relief valve.

4. Slide the entire check module off the body studs and remove from body (See Figure 7).

Either check may be removed without disturbing the other (8" - 12" valves only).

IV. MAINTENANCE INSTRUCTIONS - 1/2" - 6"

FIGURE 6

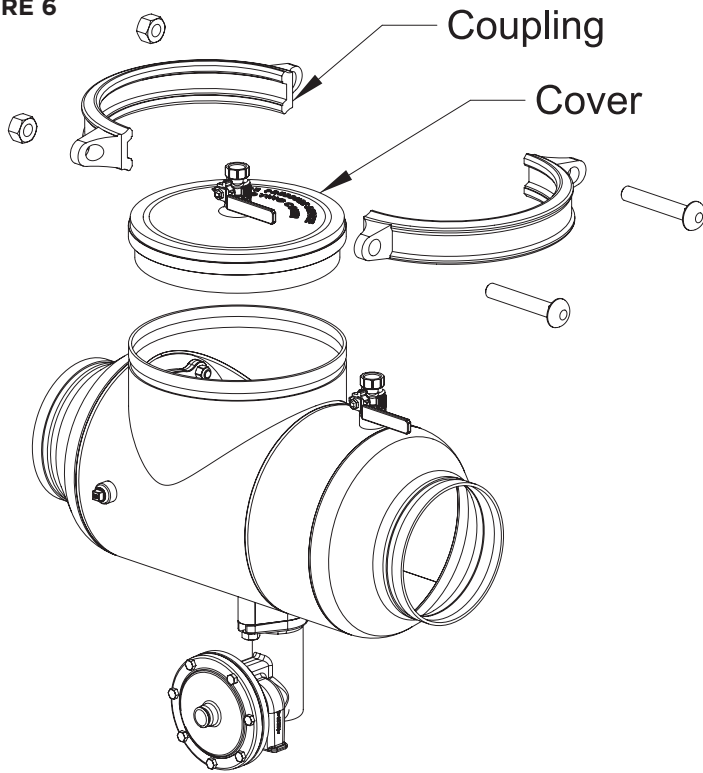
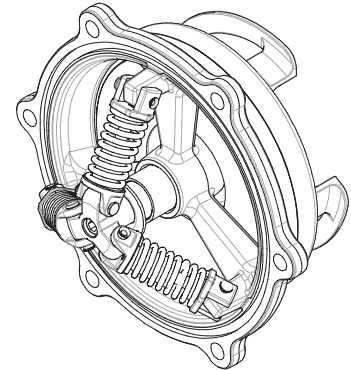


FIGURE 7

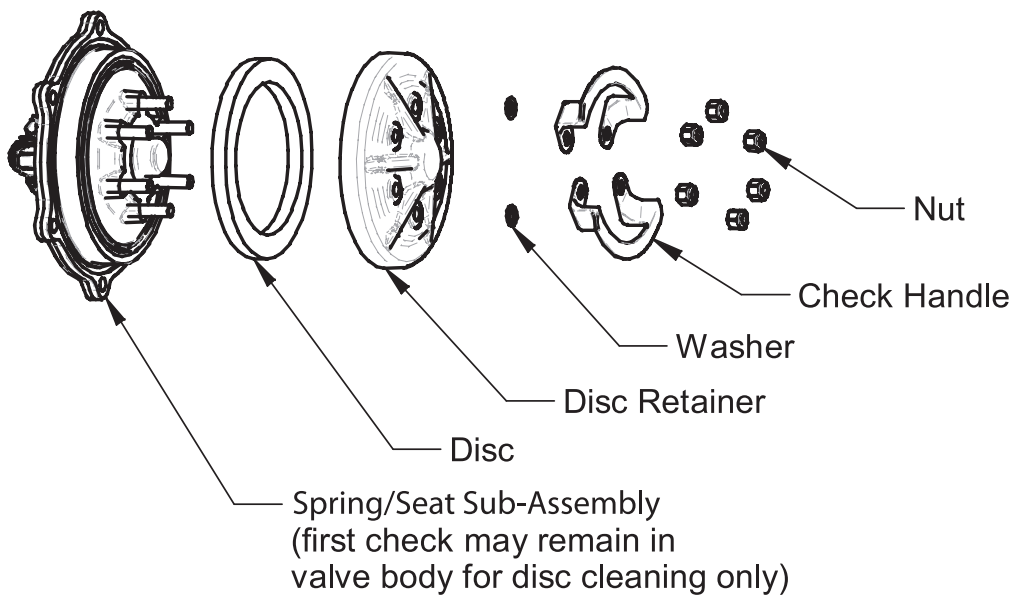


B. CHECK MAINTENANCE (CAN BE ACHIEVED WITHOUT REMOVING ENTIRE CHECK.)

If only cleaning of the first check is necessary, simply remove the six (6) reusable locknuts for 8" valves / eight (8) nuts for 10" & 12" valves on the black plastic disc retainer (See Figure 8). Remove the check handles and washers and lift the disc retainer and disc out of the body. Rinse the disc with clean water or replace if necessary. The disc may be flipped over for a temporary repair, but should be replaced if damaged. Replace the disc, disc retainer, washer, handle, and nuts. **Do not over tighten locknuts.**

NOTE: The springs are factory installed and should not be removed or adjusted. Serious injury could occur if springs are disassembled.

**FIGURE 8
8" - 12" SIZES**



IV. MAINTENANCE INSTRUCTIONS - 8"

IV. MAINTENANCE INSTRUCTIONS - 8"

C. RELIEF VALVE MAINTENANCE, 8"

Note: See Figure 9.

1. Unscrew the sensing hose from the relief valve (RV) cover nipple (sensing hose is not shown).
2. The RV can be serviced while still attached to the valve or it can be removed (rarely needed). To remove the RV, unscrew the two 5/8" bolts securing the RV to the valve body.
3. Remove the RV cover by removing the eight (8) 3/8" bolts.
4. Remove the diaphragm.
5. Remove the RV cartridge by grasping the diaphragm plate and pulling straight out. A bushing o-ring may remain in the body.
6. Ensure this o-ring is not damaged.
7. Inspect the RV seat disc for debris or damage. To clean or replace the RV seat disc, remove the 1/4" screw on the seat disc washer. The RV disc may be flipped over for a temporary repair, but should be replaced if damaged. Replace the seat disc, seat disc washer, and 1/4" screw.
8. Insert the RV module into the valve body.
9. Replace diaphragm, cover, and bolts.
10. Inspect sensing hose and replace if damaged.
11. Reinstall sensing hose to RV cover nipple.

If it is necessary to disassemble the RV module and/or remove the RV seat:

1. Remove the RV module as described above.
2. Remove the 1/4" screw on the diaphragm plate. Use caution as this will disengage the spring.
3. Remove the 1/4" screw on the seat disc washer.
4. Inspect all components for damage, paying particular attention to the diaphragm, seat disc, o-rings, and stem. If any of these components are worn or damaged, they should be replaced.
5. Lubricate the stem, stem o-ring, and RV seat o-ring with Apollo® supplied lubricant, DOW 111 or equal. Reassemble RV cartridge.
6. Remove the RV seat by grasping the cage and pulling straight out. A flat screwdriver may be necessary to aid in removal.
7. Inspect the seat and seat o-ring for damage. If damaged, they should be replaced.
8. Insert the seat into the RV body. Ensure that it is fully seated.
9. Ensure the bushing o-ring is positioned in the RV body, then insert the assembled RV cartridge into the valve body.
10. Replace diaphragm, cover, and bolts.
11. Inspect sensing hose and replace if damaged.
12. Reinstall sensing hose to RV cover nipple.

IV. MAINTENANCE INSTRUCTIONS - 2-1/2" - 6"

FIGURE 9
8"

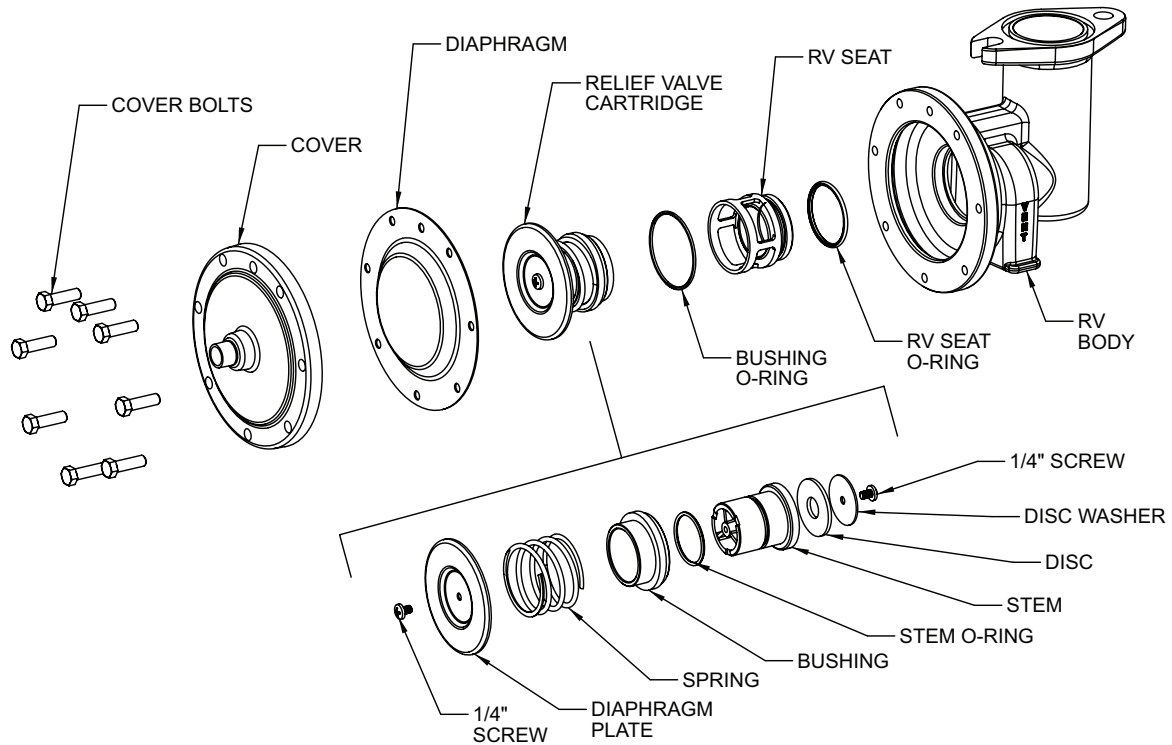
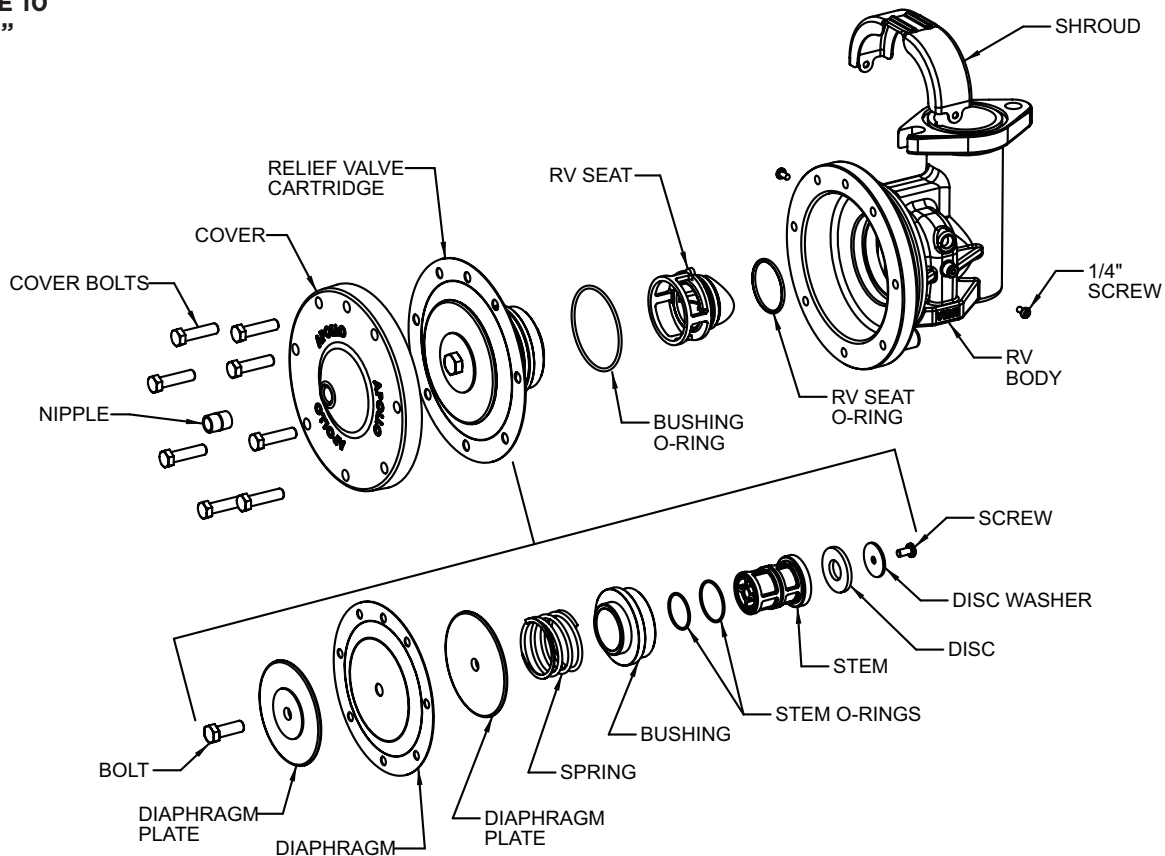


FIGURE 10
10" -12"



IV. MAINTENANCE INSTRUCTIONS - 10-12"

D. RELIEF VALVE MAINTENANCE, 10-12"

Note: See Figure 10.

1. Unscrew the sensing hose from the relief valve (RV) cover nipple (sensing hose is not shown).
2. The RV can be serviced while still attached to the valve or it can be removed (rarely needed). To remove the RV, unscrew the two 3/4" bolts securing the RV to the valve body. NOTE: When removing the RV from the valve body, take care not to damage flow divider (See Figure 10). The shroud does not need to be removed to service the RV.
3. Remove the RV cover by removing the eight (8) 1/2" bolts.
4. Remove the RV cartridge by grasping the diaphragm plate and pulling straight out. A bushing o-ring may remain in the body.
5. Ensure this o-ring is not damaged.
6. Inspect the RV seat disc for debris or damage. To clean or replace the RV seat disc, remove the 3/8" screw on the seat disc washer. The RV disc may be flipped over for a temporary repair, but should be replaced if damaged. Replace the seat disc, seat disc washer, and 3/8" screw.
7. Insert the RV module into the valve body.
8. Replace cover and bolts.
9. Inspect sensing hose and replace if damaged.
10. Reinstall sensing hose to RV cover nipple.

If it is necessary to disassemble the RV module and/or remove the RV seat:

1. Remove the RV module as described above.
2. Remove the 5/8" screw on the diaphragm plate. Use caution as this will disengage the spring.
3. Remove the 3/8" screw on the seat disc washer.
4. Inspect all components for damage, paying particular attention to the diaphragm, seat disc, o-rings, and stem. If any of these components are worn or damaged, they should be replaced.
5. Lubricate the stem, stem o-ring, and RV seat o-ring with Apollo® supplied lubricant, DOW 111 or equal. Reassemble RV cartridge.
6. Remove the RV seat by grasping the cage and pulling straight out. A flat screwdriver may be necessary to aid in removal.
7. Inspect the seat and seat o-ring for damage. If damaged, they should be replaced.
8. Insert the seat into the RV body. Ensure that it is fully seated and that the seat's tab aligns with the notch in the RV body.
9. Ensure the bushing o-ring is positioned in the RV body, then insert the assembled RV cartridge into the valve body.
10. Replace cover and bolts.
11. Inspect sensing hose and replace if damaged.
12. Reinstall sensing hose to RV cover nipple.

V. TESTING PROCEDURES

NOTE: This 3 valve test kit procedure may not be approved in all jurisdictions. Consult your local water purveyor for acceptable test procedures. See Figure 10 for test schematic.

TEST NO. 1

PURPOSE: TO TEST OPERATION OF THE PRESSURE DIFFERENTIAL RELIEF VALVE.

REQUIREMENT:

The pressure differential relief valve must operate to maintain the zone between the two check valves at a minimum of 2 psi less than the supply pressure.

PROCEDURE:

1. Open test cock (TC) #4 to establish flow through the RP. Flush TCs in the following order taking care not to dump the relief valve. Open and close TC #1. SLOWLY open and close TC #2. Open and close TC #3. Close test cock #4. Install appropriate adapters in TCs.
2. Connect the high (left) hose to TC #2. Connect the low (middle) hose to TC #3. Fully open the bypass (right) valve.
3. Slowly open TC #2. Bleed the high side through the bypass hose by opening the high valve. Close the high valve.
4. Slowly open TC #3. Bleed the low side through the bypass hose by opening the low valve. After the pointer on the gauge reaches the upper end of the scale, close the bypass and low valves.
5. Close the No. 2 shutoff valve and observe the pressure drop across check valve No. 1. If the pressure drops until the relief valve discharges continuously, check valve No. 1 is leaking and must be cleaned or repaired before continuing.
6. Open the high valve.
7. Open the low valve no more than one-quarter (1/4) turn.
8. Watch the pointer on the gauge drop slowly to the opening point of the relief valve and record the reading. If the relief valve does not open, go to step 10.
9. Close the high and low valves on the gauge and go to test No. 2.
10. The No. 2 shutoff valve may be leaking. Reopen and close No. 2 shutoff valve to attempt a better shutoff. Repeat steps 6 through 8. If the relief valve does not open, a bypass hose is required (not to be confused with the bypass hose on the gauge).
11. Large leaks may require a garden hose.
12. Attach the bypass hose to TC #1. Bleed hose by opening TC #1. Close TC #1.
13. Connect the bypass hose from TC #1 to TC #4.
14. Open TC #1 to pressurize the hose.
15. Slowly open TC #4. Repeat steps 6 through 8. If the relief valve still does not open, the leaky No. 2 shutoff valve must be repaired.

TEST NO. 2

PURPOSE: IS CHECK VALVE NO. 2 TIGHT AGAINST BACK PRESSURE?

NO BYPASS HOSE USED IN TEST 1

1. Bleed gauge bypass hose by opening the high and bypass valves. Close the bypass valve.
2. Attach the bypass hose to TC #4. Open TC #4.
3. Loosen the low side hose at TC #3 to re-establish the normal reduced pressure within the "zone". Re-tighten the low hose at TC #3.
4. Open the bypass valve. If the differential pressure stabilizes above the relief valve opening point, check valve No. 2 is recorded as "tight". Proceed to test No. 3. If the reading falls to the relief valve opening point, check valve No. 2 is noted as "leaking" and test No. 3 cannot be completed.

BYPASS HOSE USED IN TEST 1

5. Leave the bypass hose connected between TCs #1 and #4. Leave TCs #1 and #4 open.
6. Open the low and bypass valves allowing the pointer to reach the upper part of the scale.
7. Close the low and bypass valves.
8. If the differential pressure stabilizes above the relief valve opening point, check valve No. 2 is recorded as "tight" (proceed to test No. 3). If the reading falls to the relief valve opening point, check valve No. 2 is recorded as "leaking" and test No. 3 cannot be completed.

TEST NO. 3

PURPOSE: IS THE STATIC PRESSURE DROP ACROSS CHECK VALVE NO. 1 MAINTAINED AT LEAST 3 PSI ABOVE THE RELIEF VALVE OPENING POINT?

NO BYPASS HOSE USED IN TESTS 1 AND 2

1. Close the high and bypass valves. Close TC #4 and disconnect gauge bypass hose.
2. Open the low and bypass valves allowing the pointer to reach the upper end of the scale. Close the low and bypass valves.
3. Allow the gauge reading to stabilize. Record this reading as the static pressure drop across check valve No. 1.

BYPASS HOSE USED IN TESTS 1 AND 2

1. Open the low and bypass valves allowing the pointer to reach the upper end of the scale. Close the low and bypass valves.
2. Allow the gauge reading to stabilize. Record this reading as the static pressure drop across check valve No. 1.

TESTING PROCEDURE FOR SINGLE CHECK ON RPDA TYPE 2 BYPASS:

Note: The first check of the mainline valve is also the first check of the bypass assembly and the test results for the first mainline check should be recorded as the first check of the bypass assembly. If the local water authority requires a second test for the first check, perform the test again and record the results. The second check is the single check on the bypass line. (See page 14 for test cock locations.)

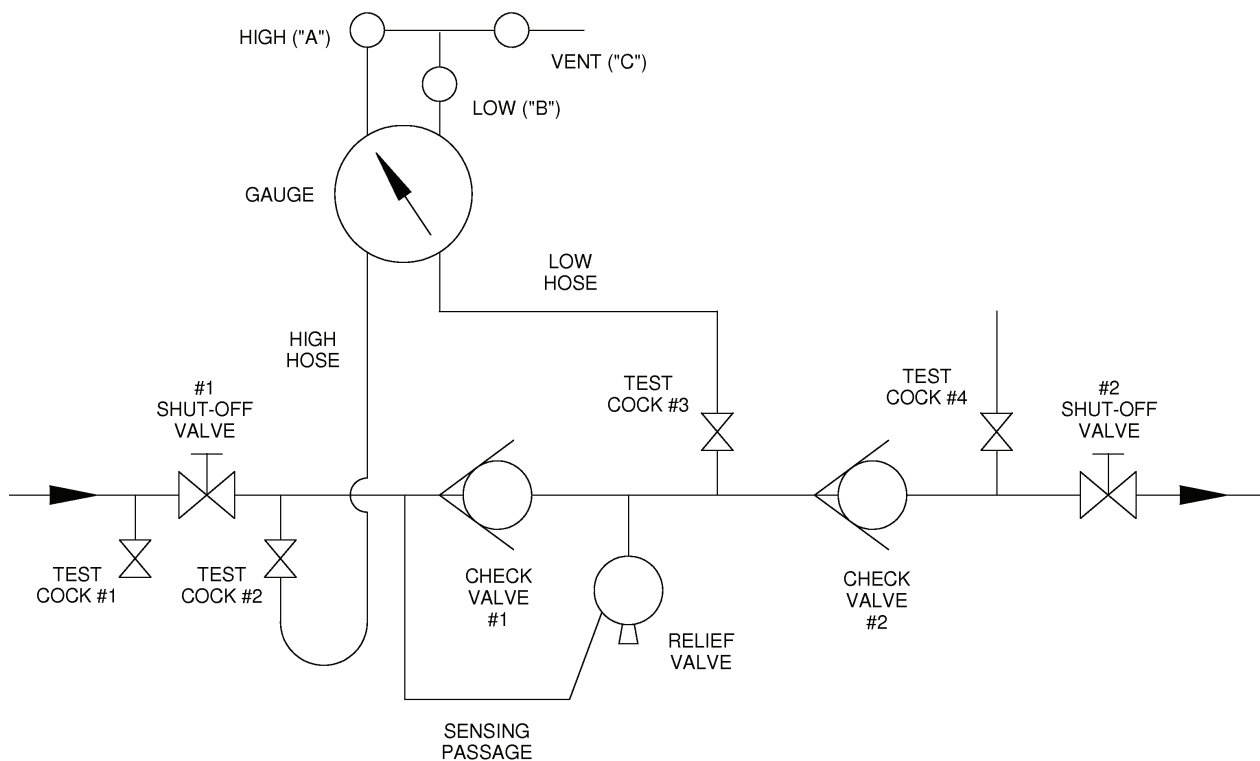
1. Flush water through the bypass line test cocks to eliminate foreign material.
2. To test the bypass single check, connect the "high" side hose to the first test cock on the bypass line (upstream of single check valve). Hold the "low" side hose level with the gauge.
3. Close the inlet shut-off valve on the mainline and bypass line. The single check valve must hold at least 1.0 psid.

WRAP UP:

Close all test cocks. Open No. 2 Shut-off valve. Drain gauge.

FIGURE 11

3-Valve Test Kit



VI. DESCRIPTION AND OPERATION

The Reduced Pressure Detector Assembly (RPDA Type 1) contains a mainline RP incorporating two independently acting, spring-loaded check valves with a diaphragm-actuated spring-loaded relief valve located between the checks and a bypass line consisting of an approved RP assembly and a water meter. The RPDA Type 2 contains a mainline RP and a bypass line consisting of a single check valve and a water meter (A Type 2 bypass utilizes the first check of the mainline as the first check of the bypass and the single check on the bypass as the second check). Each device is equipped with test cocks for periodic field testing and is normally supplied with inlet and outlet shut-off valves. NOTE: UL and FM installations must include indicating type shut-off valves.

During no flow conditions, the mainline and bypass check valves will remain closed. If there is a low flow demand (up to a minimum of 2 gpm) of water downstream, the flow is routed through the water meter to monitor such consumption. If the downstream pressure increases above the supply pressure or there is a reduction in the inlet pressure, the mainline and bypass check valves will close to prevent backflow.

VII. INSTALLATION

1. The RPDA must be installed in an accessible location to facilitate periodic field testing and maintenance.
2. Flush all upstream piping thoroughly to remove foreign matter prior to installing the device.
3. The device must be installed in the horizontal position. A clearance of 12" to 30" between the lower most portion of the device and flood grade or floor should be provided for ease of maintenance.
4. If shut-off valves are provided separately, they must include tapped bosses for attachment of the sensing hose, bypass piping, the #1 test cock, and the #2 test cock. Contact the factory for installation instructions.
5. After installing the assembly and with downstream (#2) shut-off valve closed, pressurize the device and bleed air through test cock #4. Then open #2 shut-off valve.

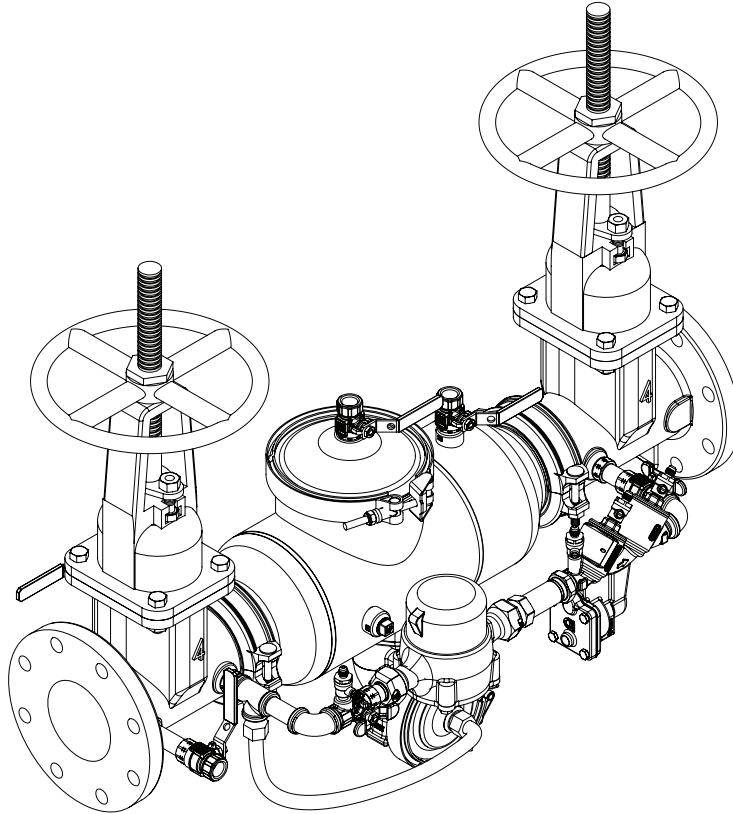
OTHER INSTALLATION TIPS

- The installation location should have adequate drainage for relief valve discharge. The device should never be placed where it may be submerged in standing water. Do not install in areas subject to freezing without using a properly designed enclosure.
- As in any piping system, provisions should be made to minimize water hammer and pressure rise due to thermal expansion, as these conditions can create damaging and dangerously high internal pressures.
- A "Y" strainer can be installed just upstream of the RP assembly to eliminate any debris from entering the device and fouling the check and/or relief valve. Note: Strainers are normally not allowed on fire protection systems. Check with local authorities.

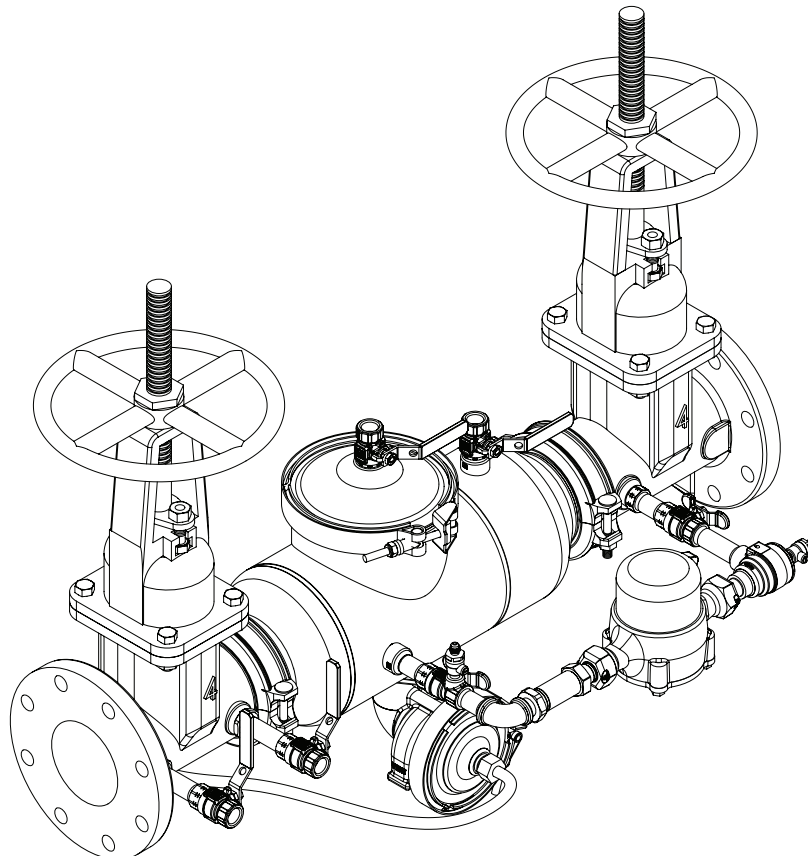
BFMRP4ALBF ES1600 REV A

RPDA BYPASS TYPES

RPDA4A TYPE 1
RPDALF4A TYPE 1

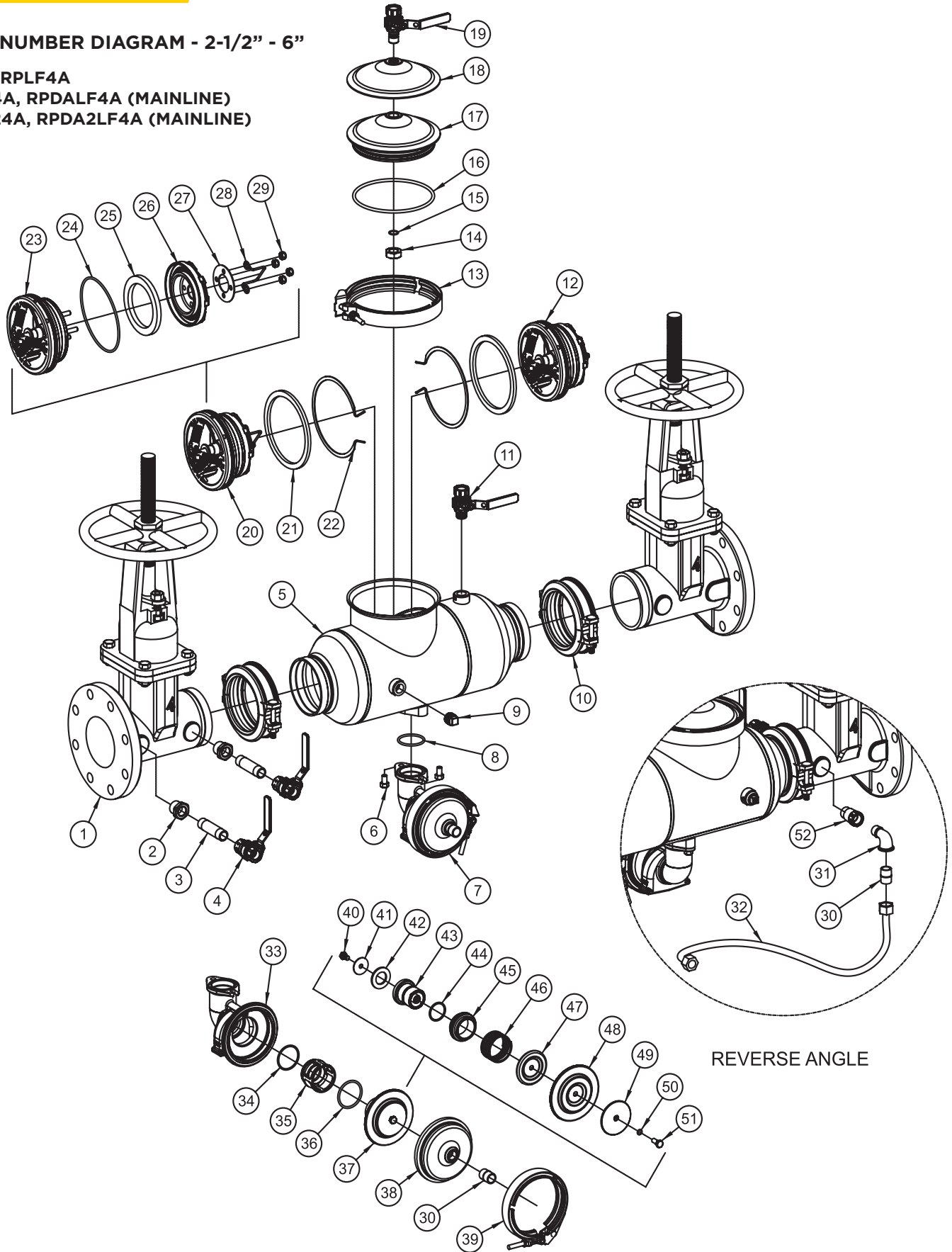


RPDA24A TYPE 2
RPDA2LF4A TYPE 2



PART NUMBER DIAGRAM - 2-1/2" - 6"

RP4A, RPLF4A
 RPDA4A, RPDALF4A (MAINLINE)
 RPDA24A, RPDA2LF4A (MAINLINE)



REVERSE ANGLE

PARTS LIST - 2-1/2" - 6"

RP4A / RPDA4A (MAINLINE) / RPDA24A (MAINLINE) PARTS LIST

RPLF4A / RPDALF4A (MAINLINE) / RPDA2LF4A (MAINLINE) PARTS LIST

ITEM #	DESCRIPTION	QTY.	PART NUMBER			
			2-1/2"	3"	4"	6"
1	Shut-off Valve	2	See Pages 26 & 27			
2	Reducer Bushing	2	K-4605-00			N/A
3	Nipple	2	K-3406-00			K-3412-00
4	Test Cock, FxF	2	77CLF-103-10			77CLF-104-10
5	Valve Body	2	Consult Factory			
6	Screw, 3/8-16 x .63" Lg	2	B-1921-00			
7	Relief Valve Sub-Assy	1	W-9664-05			
8	O-ring, RV Port	1	D-4866-00			
9	Plug, 1/2" NPT	2	K-4594-05			
10	Coupling	2	W-5237-00	W-5238-00	W-5239-00	W-5240-00
11	Test Cock, MxF	1	77CLF-803-10			77CLF-804-10
12	Second Check Module	1	W-9857-05	W-9667-05		W-9671-05
13	Cover Clamp	1	W-9293-00	W-9183-00		W-9221-00
14	Retaining Nut	1	C-2635-00			C-1756-00
15	O-ring, Test Cock	1	D-4892-00			D-3904-00
16	O-ring, Cover	1	D-4976-00	D-4870-00		D-5001-00
17	Cover, Inner	1	F-3900-00	F-3864-00		F-3865-00
18	Cover, Outer	1	E-2903-00	E-2865-00		E-2866-00
19	Test Cock, Cover	1	77CLF-803-A0			77CLF-804-A0
20	RP First Check Module	1	W-9855-05	W-9666-05		W-9670-05
21	Check Retaining Ring	2	E-2960-00	E-2868-00		E-2869-00
22	Check Retaining Clip	2	L-8063-00	L-7996-00		L-8037-00
23	Seat/Spring Sub-Assy	1	W-9715-05	W-9717-05		W-9719-05
24	Check Seat O-ring	1	D-5171-00	D-4869-00		D-5000-00
25	Seat Disc	1	D-4958-00	D-4862-00		D-4890-00
26	Disc Retainer	1	L-7800-00	F-3862-00		F-3863-00
27	Washer	(QTY)	E-2905-00 (1)	E-2920-00 (1)		E-2878-00 (4)
28	Handle (1st Chk Only)	1	H-3814-00	H-3792-00		H-3793-00
29	Locknut	(QTY)	C-1900-00 (3)	C-2052-00 (4)		C-2053-00 (4)
30	Nipple, 1/2" Close	1	K-3460-00			
31	Elbow, Street, 1/2"	1	K-4600-00			
32	Sensing Hose	1	W-9898-00			
33	RV Body	1	Q-6945-05			
34	Seat O-ring	1	D-4867-00			
35	Seat Cage	1	L-7995-00			
36	Bushing O-ring	1	D-4883-00			
37	RV Module	1	W-9677-05			
38	RV Cover	1	Q-6965-05			
39	RV Clamp	1	W-9182-00			
40	Screw, 5/16-18 x .50	1	B-1715-00			
41	RV Washer	1	E-2863-00			
42	RV Seat Disc	1	D-4863-00			
43	RV Stem	1	G-4803-00			
44	RV Stem O-ring	1	D-4744-00			
45	RV Bushing	1	I-9271-15			
46	RV Spring	1	A-2500-00			
47	Diaphragm Washer	1	E-2864-00			
48	Diaphragm	1	D-4861-00			
49	Diaphragm Plate	1	E-2867-00			
50	Dia. Plate O-ring	1	D-4865-00			
51	Screw, 5/16-18 x .75	1	B-1751-00			
52	Adapter w/ Extension	1	K-4618-06			

Individual parts are only available for bulk sales. Please refer to the appropriate repair kits on page 18.

REPAIR KITS (MAINLINE) 2-1/2" - 6"

CHECK RUBBER ONLY KIT (ONE KIT REPAIRS ONE CHECK)		SIZE		
		2-1/2" & 3"	4"	6"
ITEM #	REPAIR KIT MODEL NUMBER	RK4A3CMR	RK4A4CMR	RK4A6CMR
	ORDERING NUMBER	4A-000-01	4A-00A-01	4A-00C-01
not shown	Lubricant	I-9016-00		
25	Disc	D-4958-00	D-4862-00	D-4890-00
24	Check Seat O-ring	D-5171-00	D-4869-00	D-5000-00
8	Relief Valve Port O-ring	D-4866-00		
16	Cover O-ring	D-4976-00	D-4870-00	D-5001-00
15	Test Cock O-ring	D-4892-00		D-3904-00

RP FIRST CHECK COMPLETE KIT (ONE KIT REPAIRS ONE CHECK)		SIZE		
		2-1/2" & 3"	4"	6"
ITEM #	REPAIR KIT MODEL NUMBER	RK4A3RPCMC	RK4A4RPCMC	RK4A6RPCMC
	ORDERING NUMBER	4A-000-03	4A-00A-03	4A-00C-03
not shown	Lubricant	I-9016-00		
20	1st Check Module S-Assy	W-9855-05	W-9666-05	W-9670-05
24	Check O-ring	D-5171-00	D-4869-00	D-5000-00
16	Cover O-ring	D-4976-00	D-4870-00	D-5001-00

RP SECOND CHECK COMPLETE KIT (ONE KIT REPAIRS ONE CHECK)		SIZE		
		2-1/2" & 3"	4"	6"
ITEM #	REPAIR KIT MODEL NUMBER	RK4A3DCRP2CMC	RK4A4DCRP2CMC	RK4A6DCRP2CMC
	ORDERING NUMBER	4A-000-14	4A-00A-14	4A-00C-14
not shown	Lubricant	I-9016-00		
12	2nd Check Module S-Assy	W-9857-05	W-9667-05	W-9671-05
24	Check O-ring	D-5171-00	D-4869-00	D-5000-00
16	Cover O-ring	D-4976-00	D-4870-00	D-5001-00

RP RELIEF VALVE RUBBER KIT		
ITEM #	REPAIR KIT MODEL NUMBER	RK4A6RVR
	ORDERING NUMBER	4A-00C-04
not shown	Lubricant	I-9016-00
34	RV Seat O-ring	D-4867-00
36	Bushing O-ring	D-4883-00
42	RV Seat Disc	D-4863-00
44	Stem O-ring	D-4744-00
48	Diaphragm	D-4861-00
50	Diaphragm Plate O-ring	D-4865-00
8	Relief Valve Port O-ring	D-4866-00

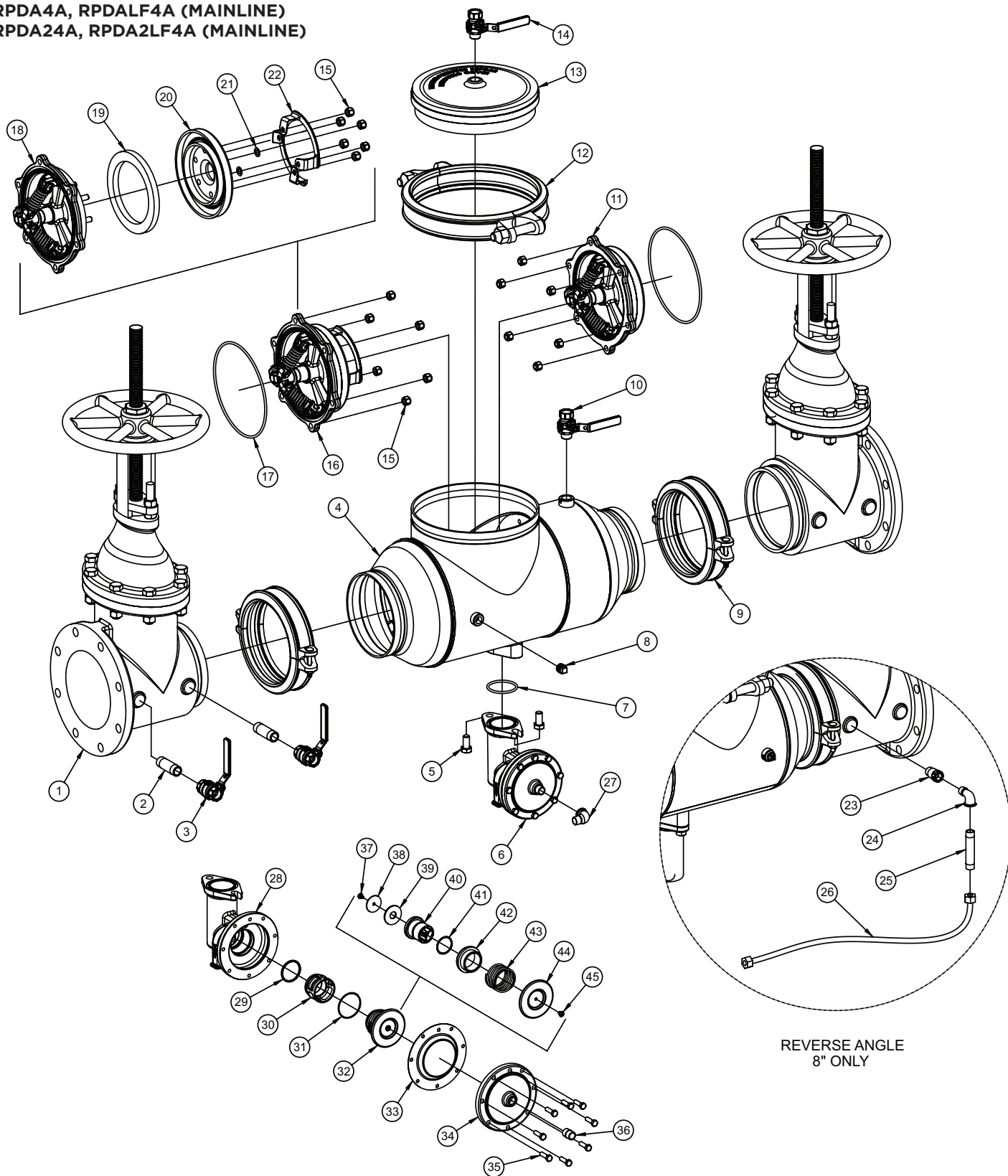
RP RELIEF VALVE COMPLETE KIT		
ITEM #	REPAIR KIT MODEL NUMBER	RK4A6RVC
	ORDERING NUMBER	4A-00C-05
not shown	Lubricant	I-9016-00
34	RV Seat O-ring	D-4867-00
35	Seat Cage	L-7995-00
36	Bushing O-ring	D-4883-00
37	RV Module	W-9677-05
8	Relief Valve Port O-ring	D-4866-00

Note: All bronze components listed are lead-free*

*LEAD FREE: The wetted surfaces of this product shall contain no more than 0.25% lead by weighted average. Complies with CA AB1953, VT Act 193, MD HB372, LA HB471, and Federal Public Law 111-380.

PART NUMBER DIAGRAM - 8" - 12"

RP4A, RPLF4A
RPDA4A, RPDALF4A (MAINLINE)
RPDA24A, RPDALF4A (MAINLINE)



PARTS LIST - 8" - 12"

RP4A / RPDA4A (MAINLINE) / RPDA24A (MAINLINE) PARTS LIST

RPLF4A / RPDALF4A (MAINLINE) / RPDA2LF4A (MAINLINE) PARTS LIST

ITEM #	DESCRIPTION	QTY.	PART NUMBER		
			8"	10"	12"
1	Shut-off Valve	2	See Page 26 & 27		
2	Nipple	2	K-3412-00		
3	Test Cock, FxF	2	77CLF-104-10		
4	Valve Body	2	Consult Factory		
5	Screw	2	B-2348-00	B-1690-00	
6	Relief Valve Sub-Assy	1	W-9676-05	W-2329-05	
7	O-ring, RV Port	1	D-4963-00	D-2304-00	
8	Plug, 1/2" NPT	1	K-4594-05	N/A	N/A
9	Coupling	2	W-9791-00	W-5242-00	N/A
	Bolt Pack	2	N/A	N/A	40-00H-BP
10	Test Cock	1	77CLF-804-10	77CLF-104-10	
11	Second Check Module	1	W-9673-05	W-9862-05	
12	Cover Clamp	1	W-9243-00	W-9355-00	
13	Cover	1	E-2898-05	Q-7064-19	
14	Test Cock, Cover	1	77CLF-804-10	77CLF-104-10	
15	Locknut, 1/2-13	(QTY)	C-2638-00 (24)	C-2638-00 (32)	
16	RP First Check Module	1	W-9674-05	W-9863-05	
17	Check O-ring	1	D-4935-00	D-4997-00	
18	Seat/Spring Sub-Assy	1	W-9721-05	W-9723-05	
19	Disc	1	D-4934-00	D-4960-00	
20	Disc Retainer	1	F-3899-00	F-3903-00	
21	Washer	2	E-2897-00		
22	Handle	2	H-3828-00	H-3813-00	
23	Adapter w/ Extension	1	K-4618-00	N/A	
24	Elbow, Street	1	K-4600-00	N/A	
25	Nipple	1	K-3982-00	N/A	
26	Sensing Hose	1	W-9898-00	W-9898-00	
27	Street Elbow	1	K-4600-00		
28	RV Body	1	Q-6992-05	Q-7102-05	
29	RV Seat O-ring	1	D-4883-00	D-3506-00	
30	RV Seat	1	L-8047-00	L-8169-00	
31	Bushing O-ring	1	D-2565-00	D-4858-00	
32	RV Module	1	W-9675-05	W-2330-05	
33	Diaphragm	1	D-2564-00	D-2591-00	
34	RV Cover	1	Q-6994-05	Q-7103-05	
35	Screw	(QTY)	B-1796-00 (8)	B-1703-00 (8)	
36	Nipple	1	K-3460-00		
37	Screw	1	B-1753-00	B-1796-00	
38	Washer	1	E-2200-00	E-2210-00	
39	RV Disc	1	D-2563-00	D-2595-00	
40	RV Stem	1	G-3240-00	G-4858-00	
41	RV Stem O-ring	1	D-2562-00	D-2594-00	
42	Bushing	1	I-9269-15	I-9431-15	
43	Spring	1	A-1742-00	A-1749-00	
44	Diaphragm Plate	(QTY)	E-2201-00 (1)	E-2209-05 (2)	
45	Screw	1	N/A	B-1800-00	

Individual parts are only available for bulk sales. Please refer to the appropriate repair kits on page 21.

Note: All bronze components listed are lead-free*

*LEAD FREE: The wetted surfaces of this product shall contain no more than 0.25% lead by weighted average. Complies with CA AB1953, VT Act 193, MD HB372, LA HB471, and Federal Public Law 111-380.

REPAIR KITS (MAINLINE) 8" - 12"

CHECK RUBBER ONLY KIT (ONE KIT REPAIRS ONE CHECK)		SIZE	
		8"	10" & 12"
ITEM #	REPAIR KIT MODEL NUMBER	RK4A8CMR	RK4A12INCMR
	ORDERING NUMBER	4A-00E-01	4A-00H-01
not shown	Lubricant	I-9016-00	
19	Disc	D-4934-00	D-4960-00
17	Check O-ring	D-4935-00	D-4997-00
7	Relief Valve Port O-ring	D-4963-00	D-2304-00

RP FIRST CHECK COMPLETE KIT (ONE KIT REPAIRS ONE CHECK)		SIZE	
		8"	10" & 12"
ITEM #	REPAIR KIT MODEL NUMBER	RK4A8PCM	RK4A12INPCM
	ORDERING NUMBER	4A-00E-03	4A-00H-03
not Shown	Lubricant	I-9016-00	
16	1st Check Module S-Assy	W-9674-05	W-9863-05
17	Check O-ring	D-4935-00	D-4997-00

RP SECOND CHECK COMPLETE KIT (ONE KIT REPAIRS ONE CHECK)		SIZE	
		8"	10" & 12"
ITEM #	REPAIR KIT MODEL NUMBER	RK4A8DCRP2CMC	RK4A12INDCRP2CMC
	ORDERING NUMBER	4A-00E-14	4A-00H-14
not shown	Lubricant	I-9016-00	
11	2nd Check Module S-Assy	W-9673-05	W-9862-05
17	Check O-ring	D-4935-00	D-4997-00

RP RELIEF VALVE RUBBER KIT		SIZE	
		8"	10" & 12"
ITEM #	REPAIR KIT MODEL NUMBER	RK4A8RVR	RK4A12INRVR
	ORDERING NUMBER	4A-00E-04	4A-00H-04
not shown	Lubricant	I-9016-00	
29	RV Seat O-ring	D-4883-00	D-3506-00
31	Bushing O-ring	D-2565-00	D-4858-00
33	Diaphragm	D-2564-00	D-2591-00
39	RV Seat Disc	D-2563-00	D-2595-00
41	Stem O-ring	D-2562-00	D-2594-00
not shown	Dia. Plate O-ring	N/A	D-2512-00
7	Relief Valve Port O-ring	D-4963-00	D-2304-00

RP RELIEF VALVE COMPLETE KIT		SIZE	
		8"	10" & 12"
ITEM #	REPAIR KIT MODEL NUMBER	RK4A8RVC	RK4A12INRVC
	ORDERING NUMBER	4A-00E-05	4A-00H-05
not shown	Lubricant	I-9016-00	
33	Diaphragm	D-2564-00	D-2591-00
29	RV Seat O-ring	D-4883-00	D-3506-00
30	RV Seat Cage	L-8047-00	L-8169-00
31	Bushing O-ring	D-2565-00	D-4858-00
32	RV Module	W-9675-00	W-2330-05
7	Relief Valve Port O-ring	D-4963-00	D-2304-00

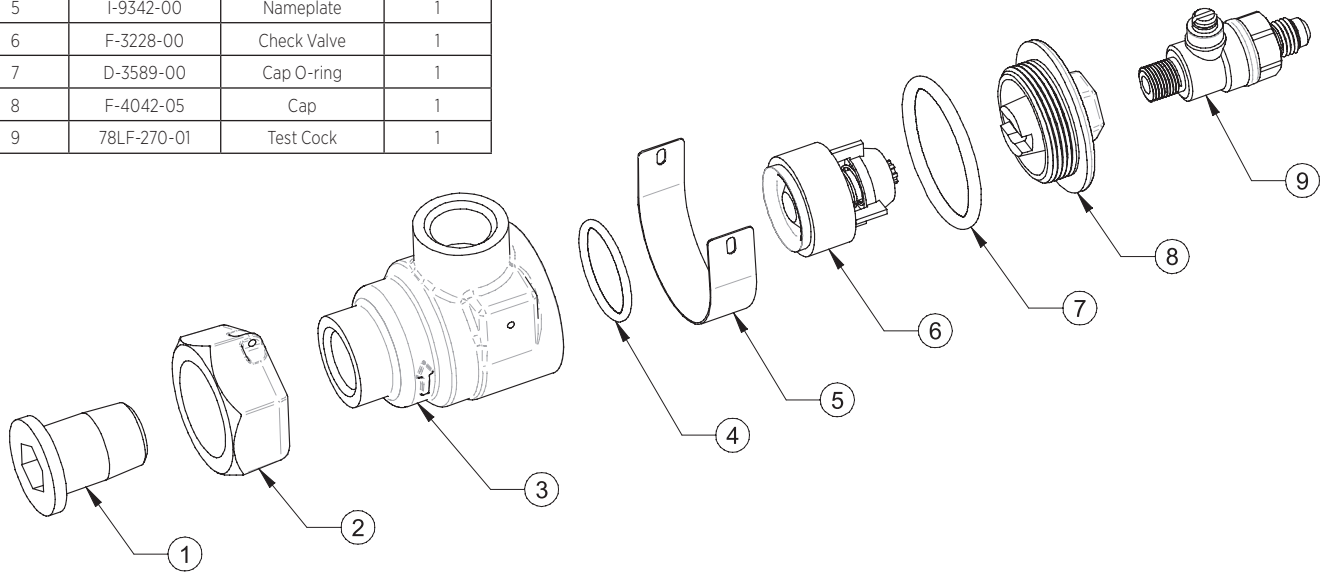
Note: All bronze components listed are lead-free*

*LEAD FREE: The wetted surfaces of this product shall contain no more than 0.25% lead by weighted average. Complies with CA AB1953, VT Act 193, MD HB372, LA HB471, and Federal Public Law 111-380.

PART LIST - BYPASS SINGLE CHECK (TYPE 2)
W977005 SINGLE CHECK VALVE (LEAD FREE*)

ITEM	PART #	DESCRIPTION	QTY
1	K-4587-06	Tailpiece	1
2	C-1844-05	Union Nut	1
3	Q-7281-05	Body	1
4	D-3885-00	Check O-ring	1
5	I-9342-00	Nameplate	1
6	F-3228-00	Check Valve	1
7	D-3589-00	Cap O-ring	1
8	F-4042-05	Cap	1
9	78LF-270-01	Test Cock	1

FIGURE 13



Individual parts are only available for bulk sales.
 Please refer to the appropriate repair kits below.

BYPASS SINGLE CHECK REPAIR KITS

4A-003-12:

Check Repair Kit: Includes items 4, 6, and 7 (1 ea.)

4A-003-13:

Check Complete Kit: Includes items 1-9 (1 ea.)

*Note: All bronze components listed are lead-free**

** LEAD FREE: The wetted surfaces of this product shall contain no more than 0.25% lead by weighted average. Complies with CA AB1953, VT Act 193, MD HB372, LA HB471, and Federal Public Law 111-380.*

VIII. MAINTENANCE INSTRUCTIONS - BYPASS SINGLE CHECK (TYPE 2)

A. DISASSEMBLY - CHECK VALVE MODULE

1. Close #2 bypass line shut-off valve, then close #1 bypass line shut-off valve.
2. Bleed pressure from the assembly by opening the upstream test cock (located on the bypass line #1 shut-off valve) and the downstream test cock (located on the check valve cap).
3. Unscrew cap using hex head provided.
4. Pull check module straight out of body. Needle-nose pliers will aid in removing check valve. Check o-ring may remain in valve body

NOTE: Check valve modules are not user serviceable. In the event of check failure, replacement modules are sold individually. However, debris caught in the check may be rinsed out.

B. ASSEMBLY - CHECK VALVE MODULE

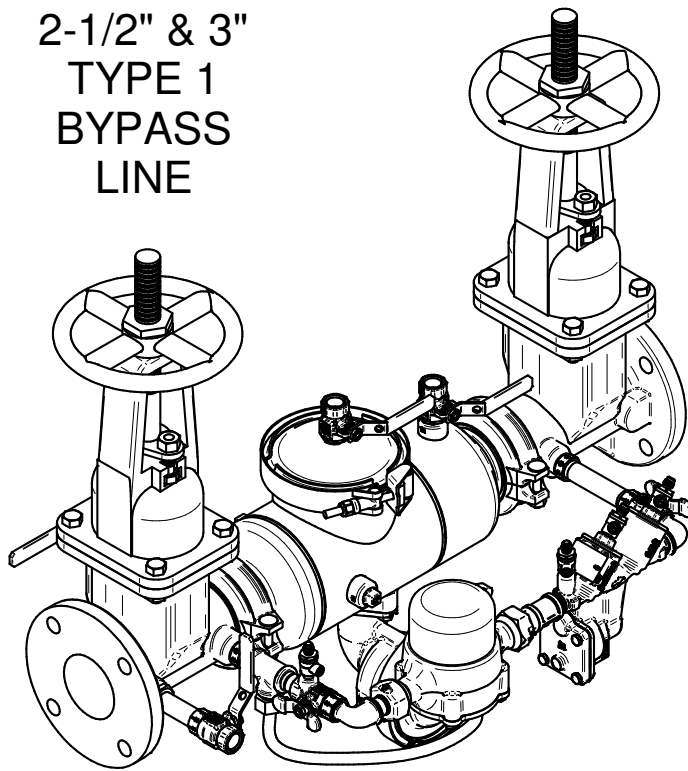
1. Install new or cleaned check valve module into body (ensure check o-ring is in place).
2. Apply a thin coat of Apollo® supplied lubricant, DOW 111 or equal, on cap o-ring.
3. Install cap.

BYPASS LINE KITS

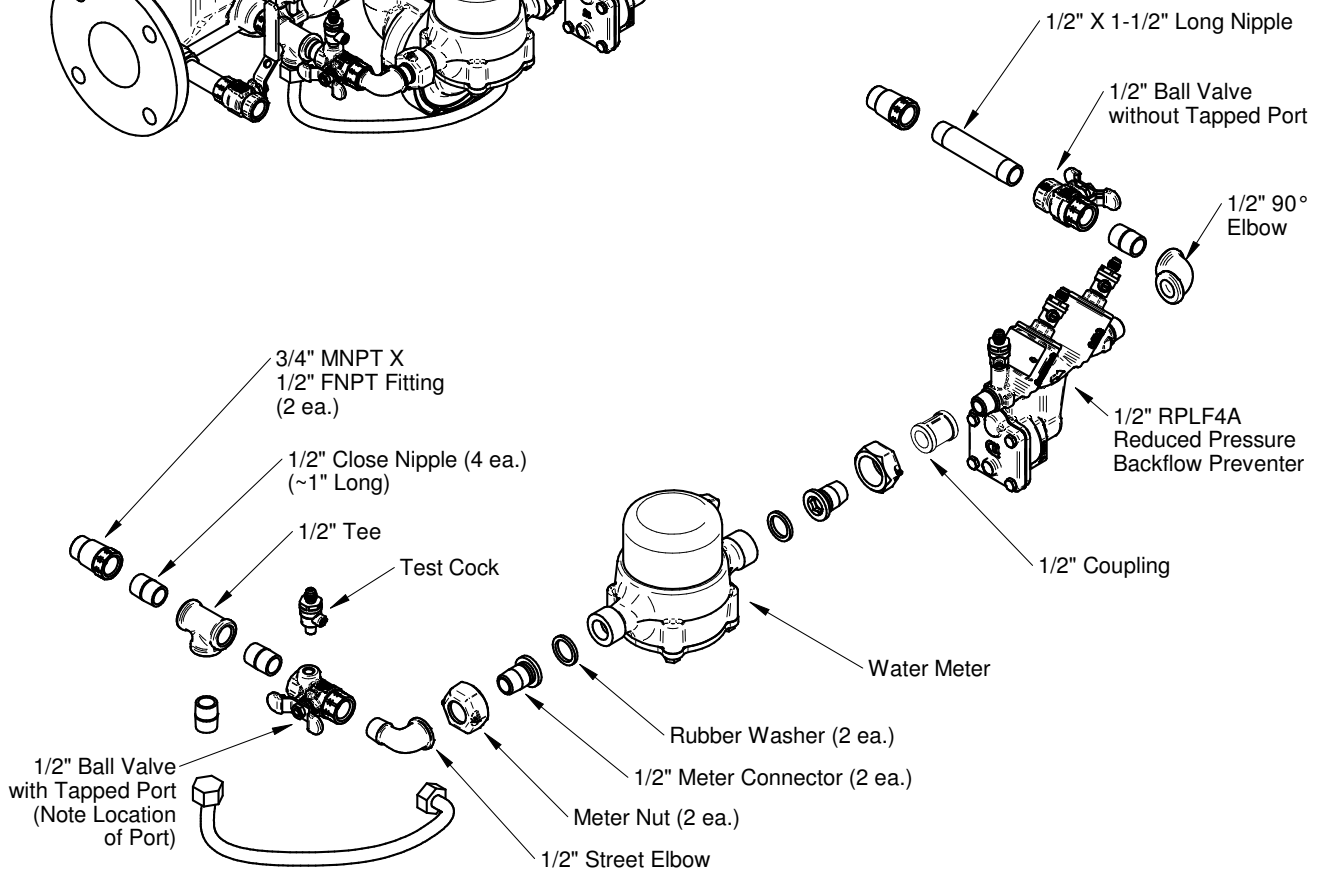
SIZE	METER OPTION	TYPE 1 BYPASS KIT PART NO.	TYPE 2 BYPASS KIT PART NO.
2-1/2"	GALLONS PER MIN	4ALF-600-BPE	4ALF-620-BPE
	CUBIC FT PER MIN	4ALF-600-BPC	4ALF-620-BPC
	NO METER	4ALF-600-BPG	4ALF-620-BPG
3"	GALLONS PER MIN	4ALF-600-BPE	4ALF-620-BPE
	CUBIC FT PER MIN	4ALF-600-BPC	4ALF-620-BPC
	NO METER	4ALF-600-BPG	4ALF-620-BPG
4"	GALLONS PER MIN	4ALF-60A-BPE	4ALF-62A-BPE
	CUBIC FT PER MIN	4ALF-60A-BPC	4ALF-62A-BPC
	NO METER	4ALF-60A-BPG	4ALF-62A-BPG
6"	GALLONS PER MIN	4ALF-60C-BPE	4ALF-62C-BPE
	CUBIC FT PER MIN	4ALF-60C-BPC	4ALF-62C-BPC
	NO METER	4ALF-60C-BPG	4ALF-62C-BPG
8"	GALLONS PER MIN	4ALF-60E-BPE	4ALF-62E-BPE
	CUBIC FT PER MIN	4ALF-60E-BPC	4ALF-62E-BPC
	NO METER	4ALF-60E-BPG	4ALF-62E-BPG
10"	GALLONS PER MIN	4ALF-60G-BPE	4ALF-62G-BPE
	CUBIC FT PER MIN	4ALF-60G-BPC	4ALF-62G-BPC
	NO METER	4ALF-60G-BPG	4ALF-62G-BPG
12"	GALLONS PER MIN	4ALF-60H-BPE	4ALF-62H-BPE
	CUBIC FT PER MIN	4ALF-60H-BPC	4ALF-62H-BPC
	NO METER	4ALF-60H-BPG	4ALF-62H-BPG

BYPASS KITS

2-1/2" & 3" TYPE 1 BYPASS LINE

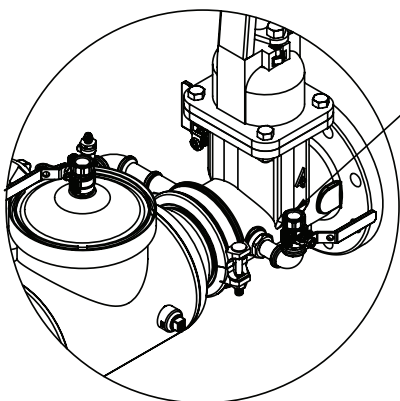


Note: Before attaching bypass line, remove #2 test cock, nipple, and reducer and move to the opposite side of the gate valve.



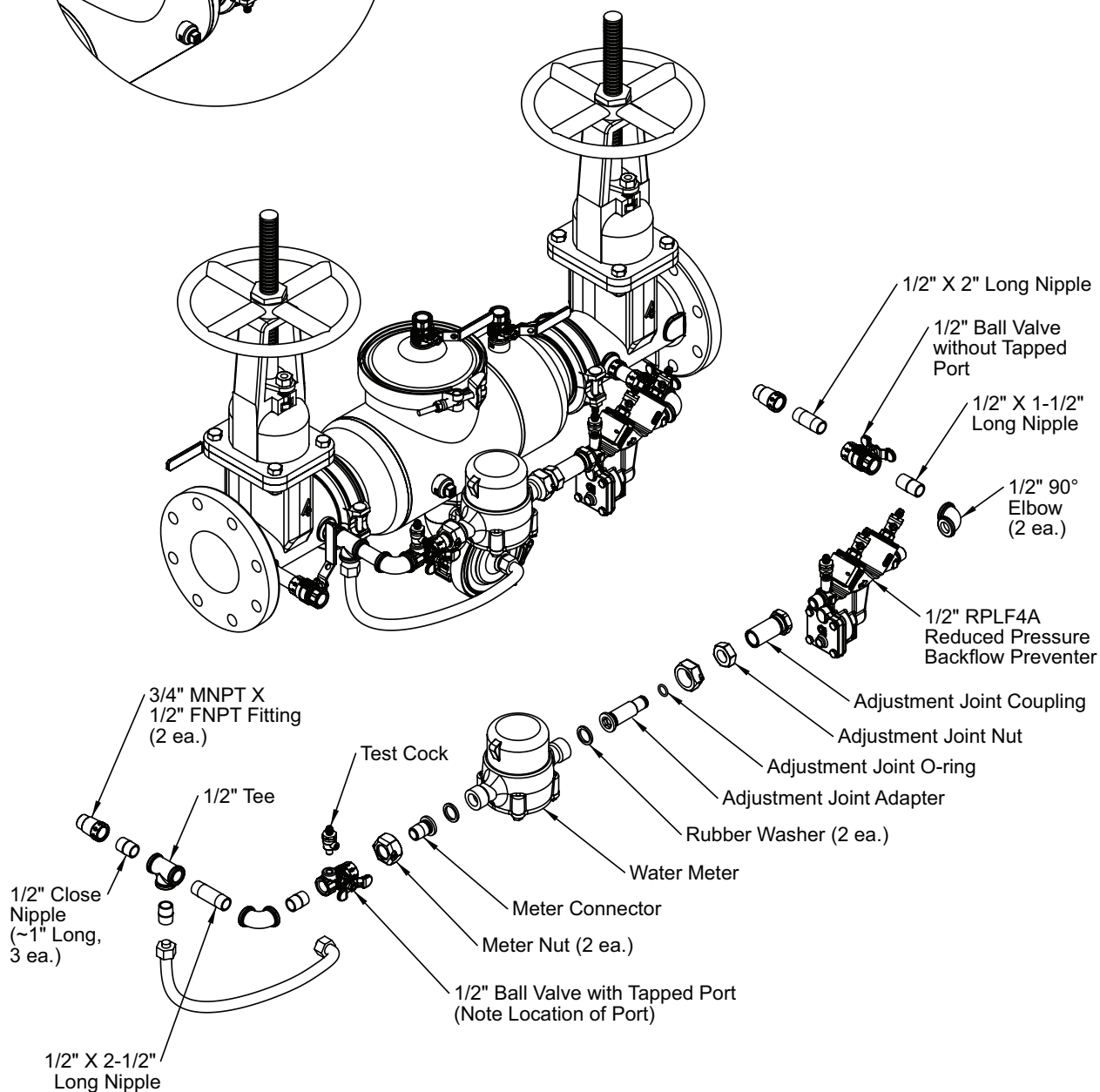
APPLY TEFLON TAPE TO PIPE THREADS AND INSTALL COMPONENTS AS SHOWN.

BYPASS KITS



Note: Before attaching bypass line, remove #2 test cock, nipple, and reducer and move to the opposite side of the gate valve.

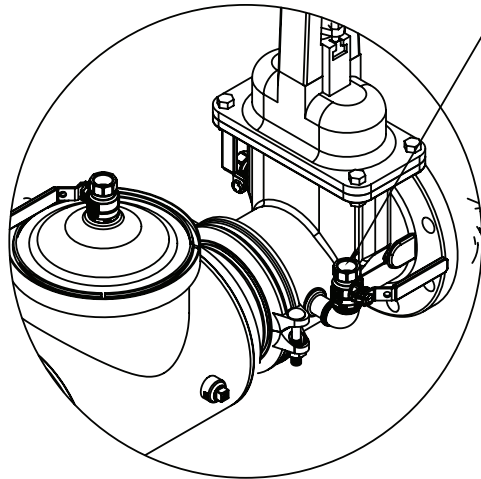
4" TYPE 1 BYPASS LINE



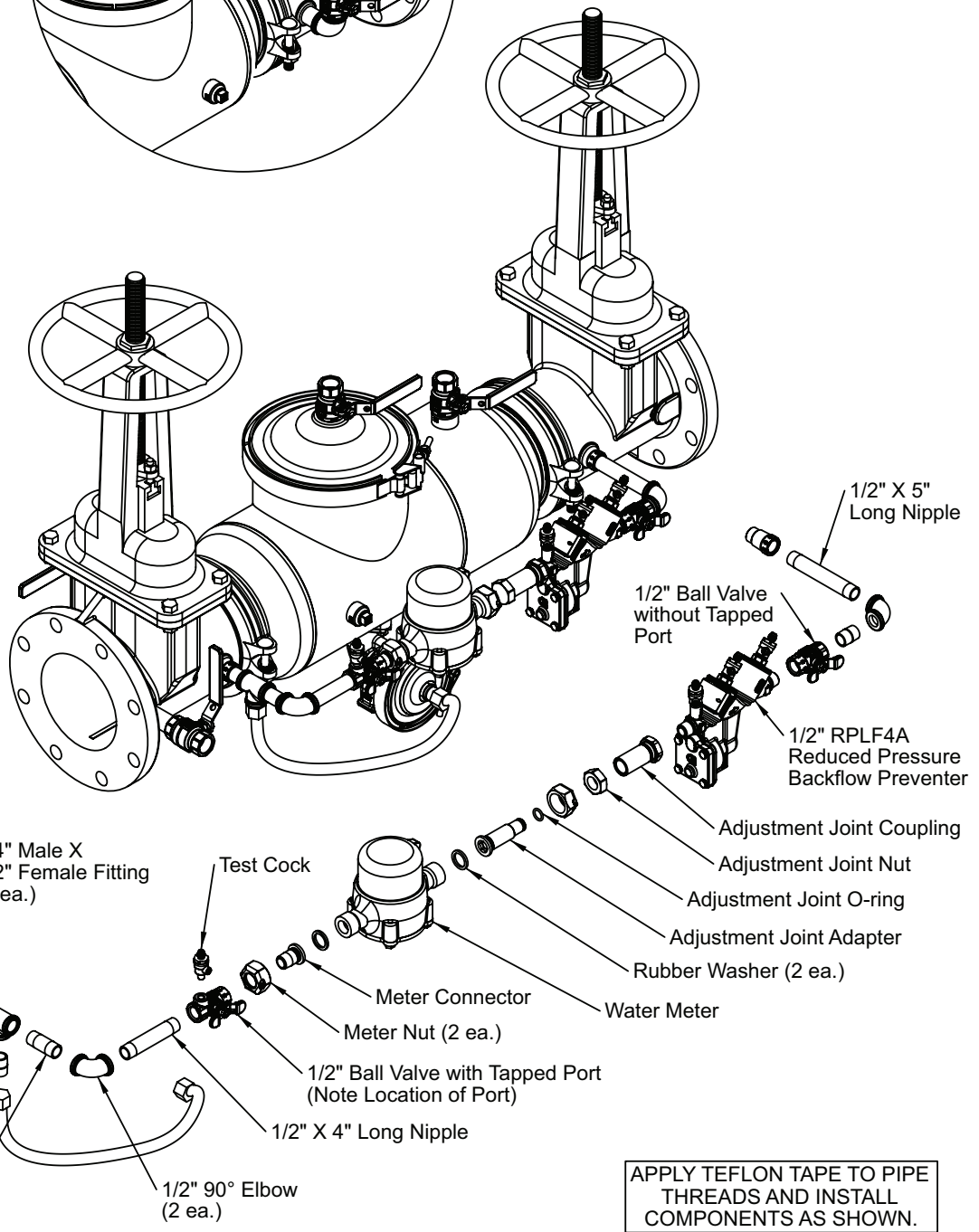
APPLY TEFLON TAPE TO PIPE THREADS AND INSTALL COMPONENTS AS SHOWN.

BYPASS KITS

6" TYPE 1 BYPASS LINE



Note: Before attaching bypass line, remove #2 test cock and nipple and move them to the opposite side of the gate valve.

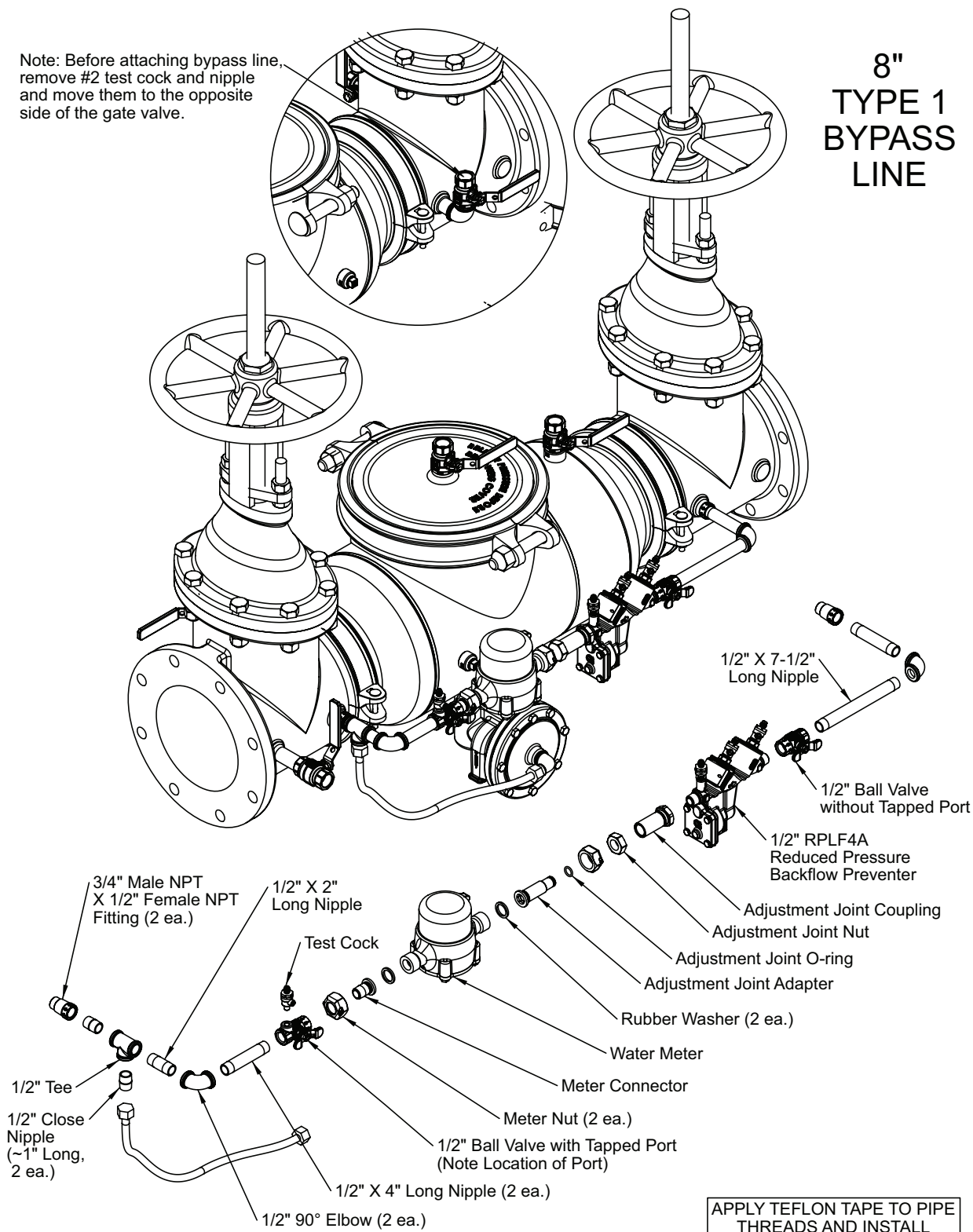


APPLY TEFLON TAPE TO PIPE THREADS AND INSTALL COMPONENTS AS SHOWN.

BYPASS KITS

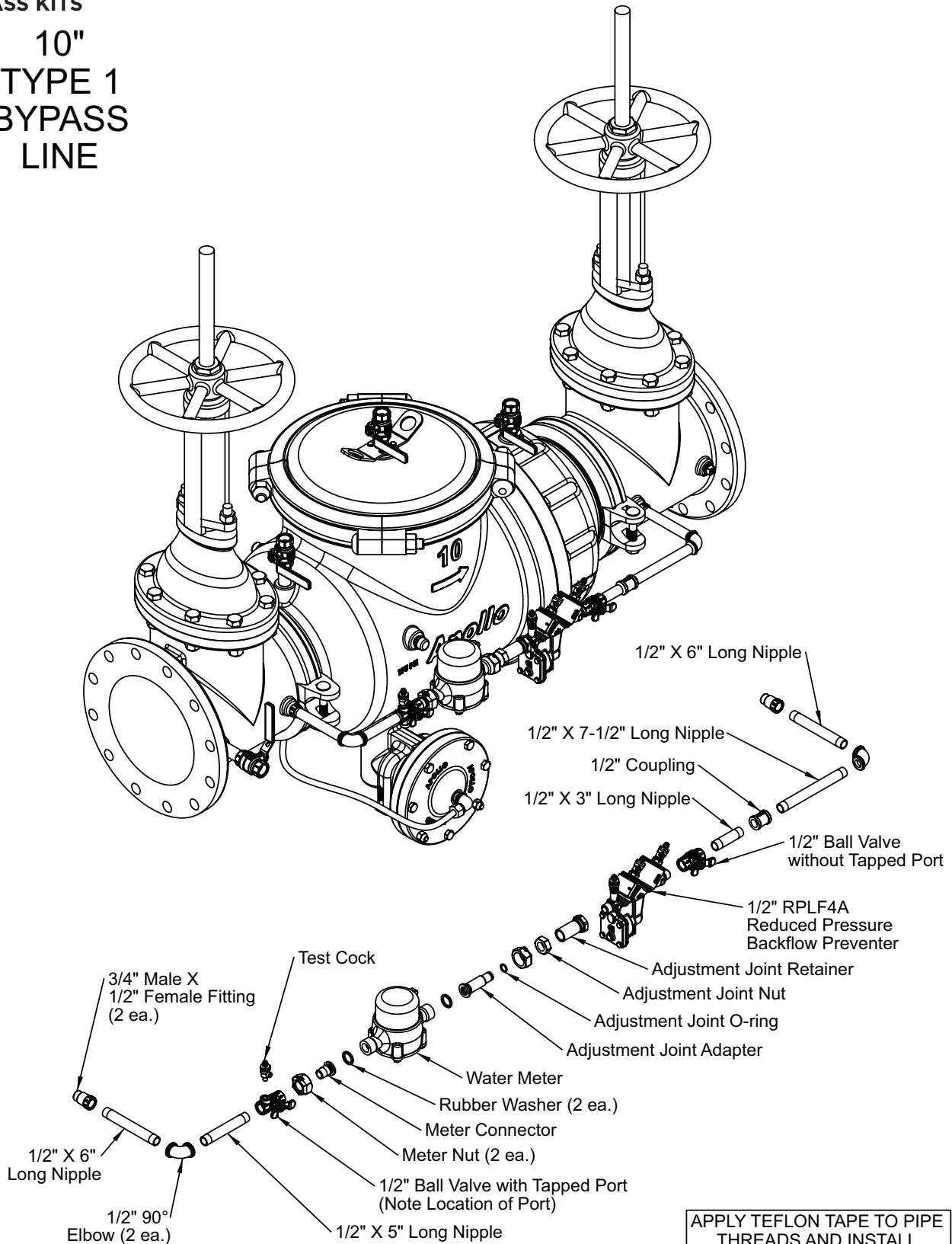
Note: Before attaching bypass line, remove #2 test cock and nipple and move them to the opposite side of the gate valve.

**8"
TYPE 1
BYPASS
LINE**



BYPASS KITS

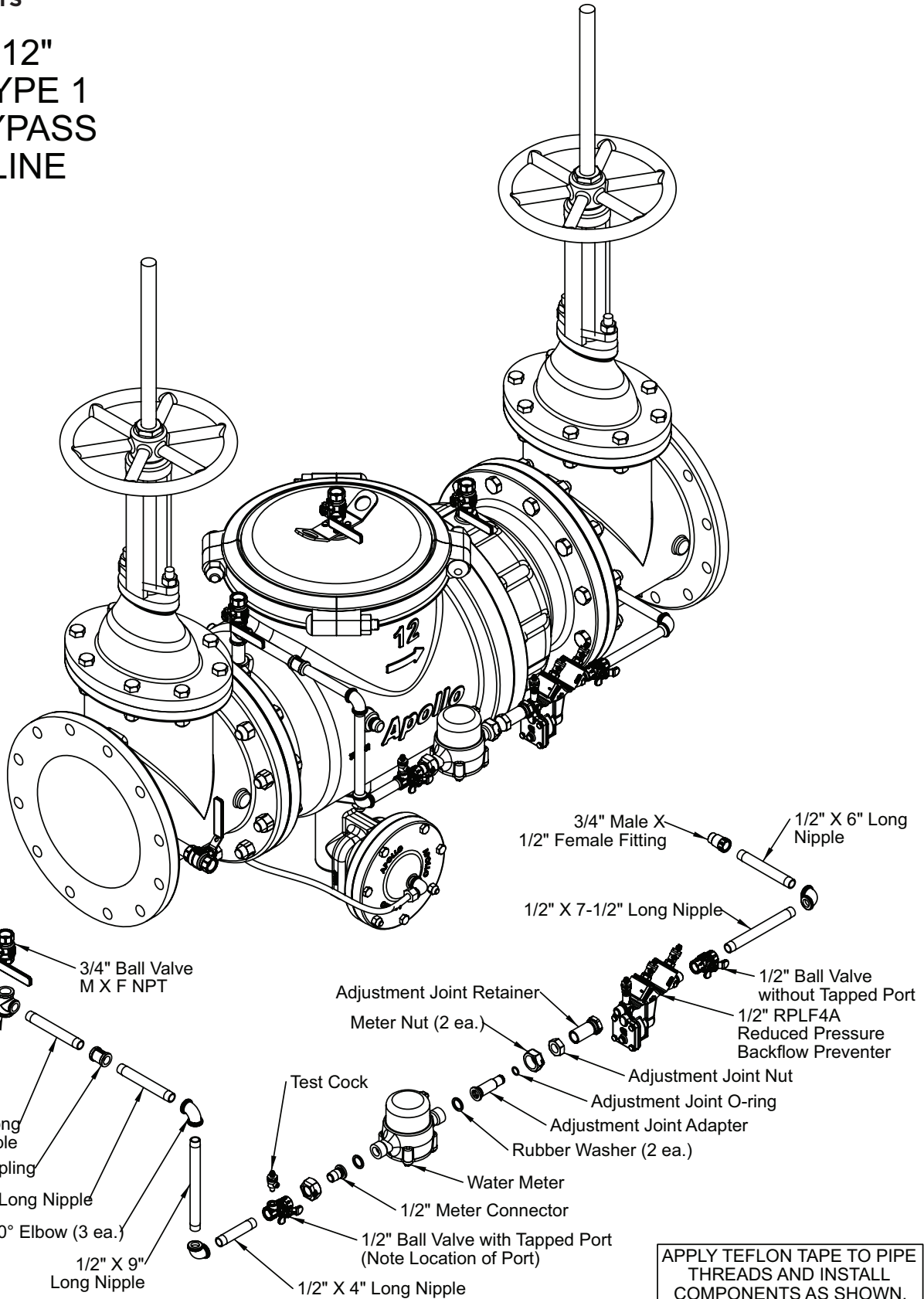
**10"
TYPE 1
BYPASS
LINE**



APPLY TEFLON TAPE TO PIPE THREADS AND INSTALL COMPONENTS AS SHOWN.

BYPASS KITS

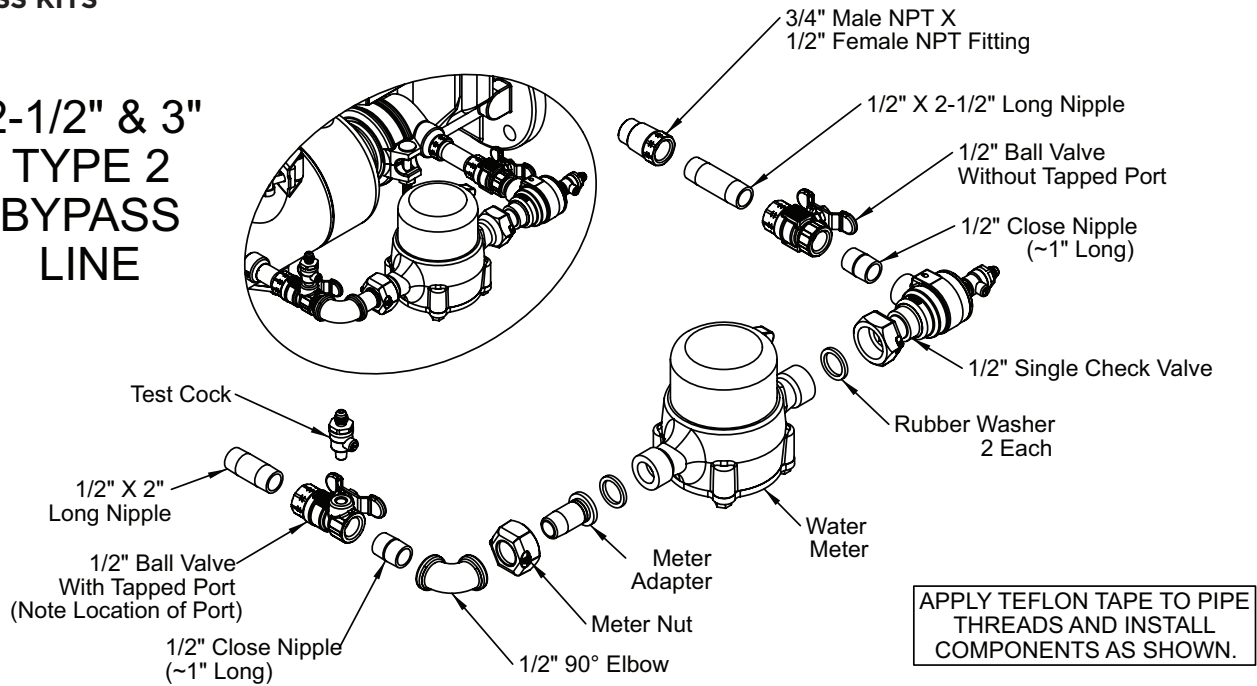
**12"
TYPE 1
BYPASS
LINE**



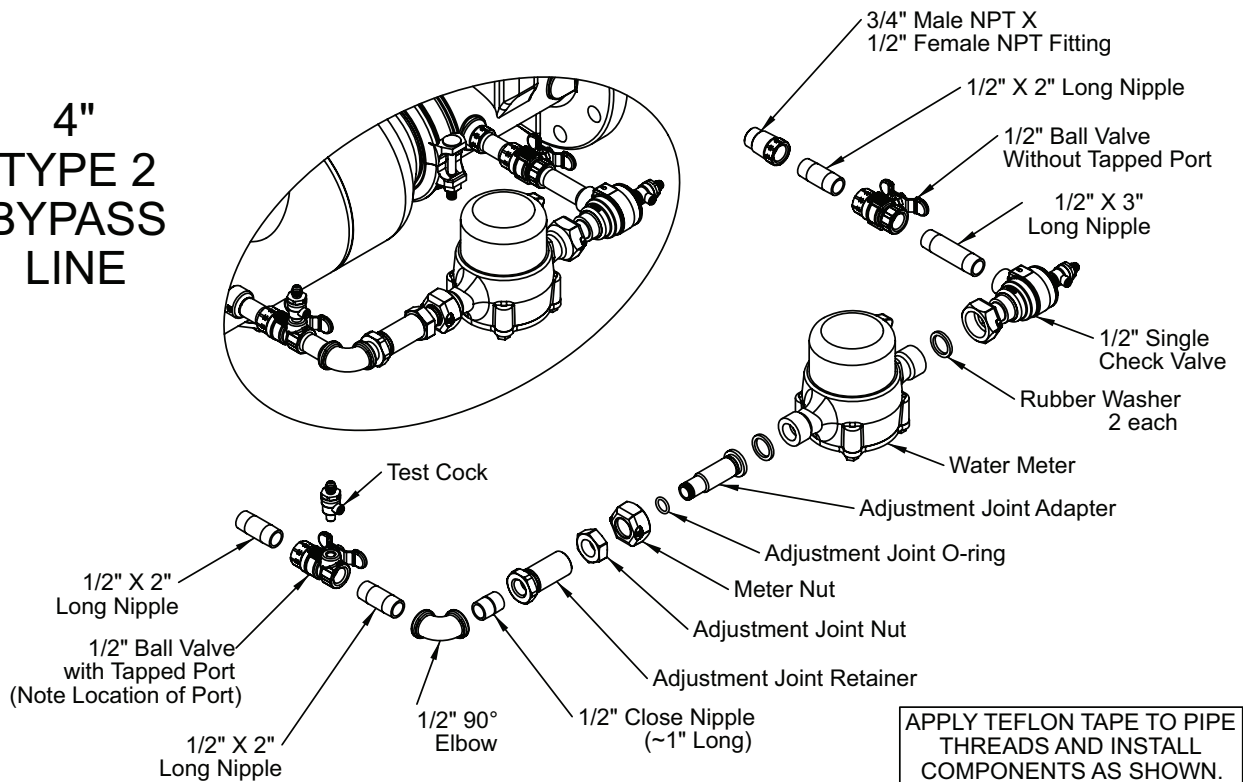
APPLY TEFLON TAPE TO PIPE THREADS AND INSTALL COMPONENTS AS SHOWN.

BYPASS KITS

2-1/2" & 3" TYPE 2 BYPASS LINE

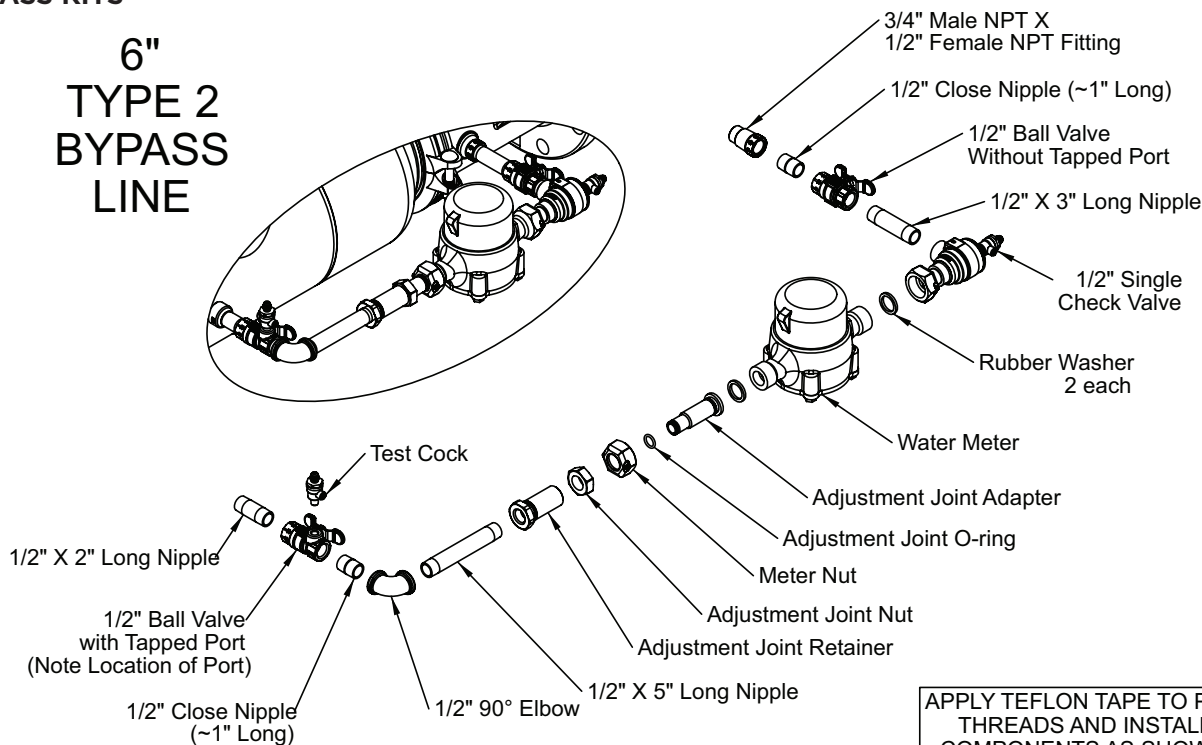


4" TYPE 2 BYPASS LINE



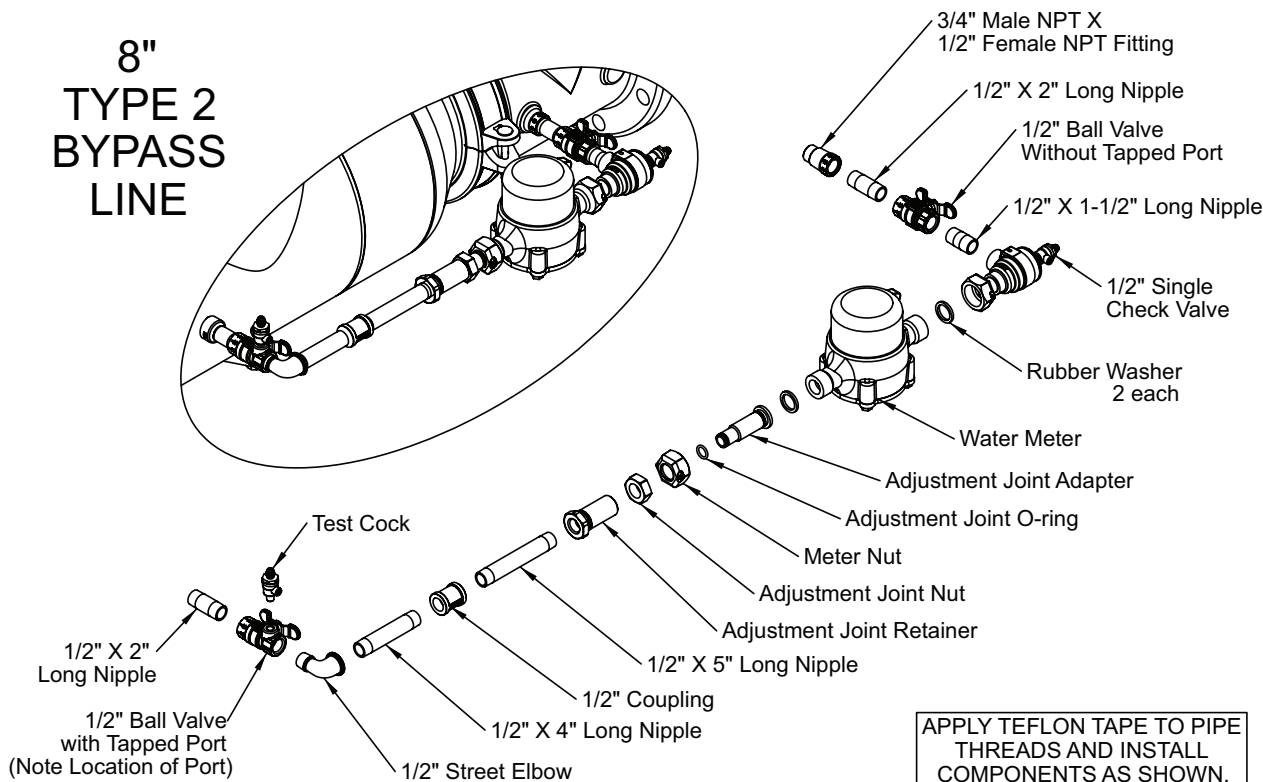
BYPASS KITS

6" TYPE 2 BYPASS LINE



APPLY TEFLON TAPE TO PIPE THREADS AND INSTALL COMPONENTS AS SHOWN.

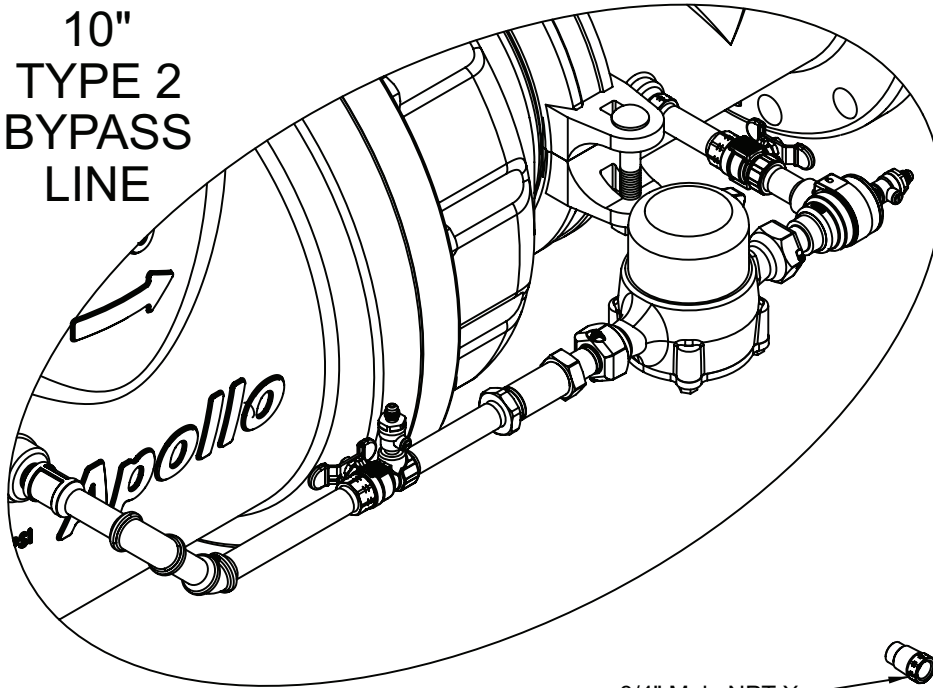
8" TYPE 2 BYPASS LINE



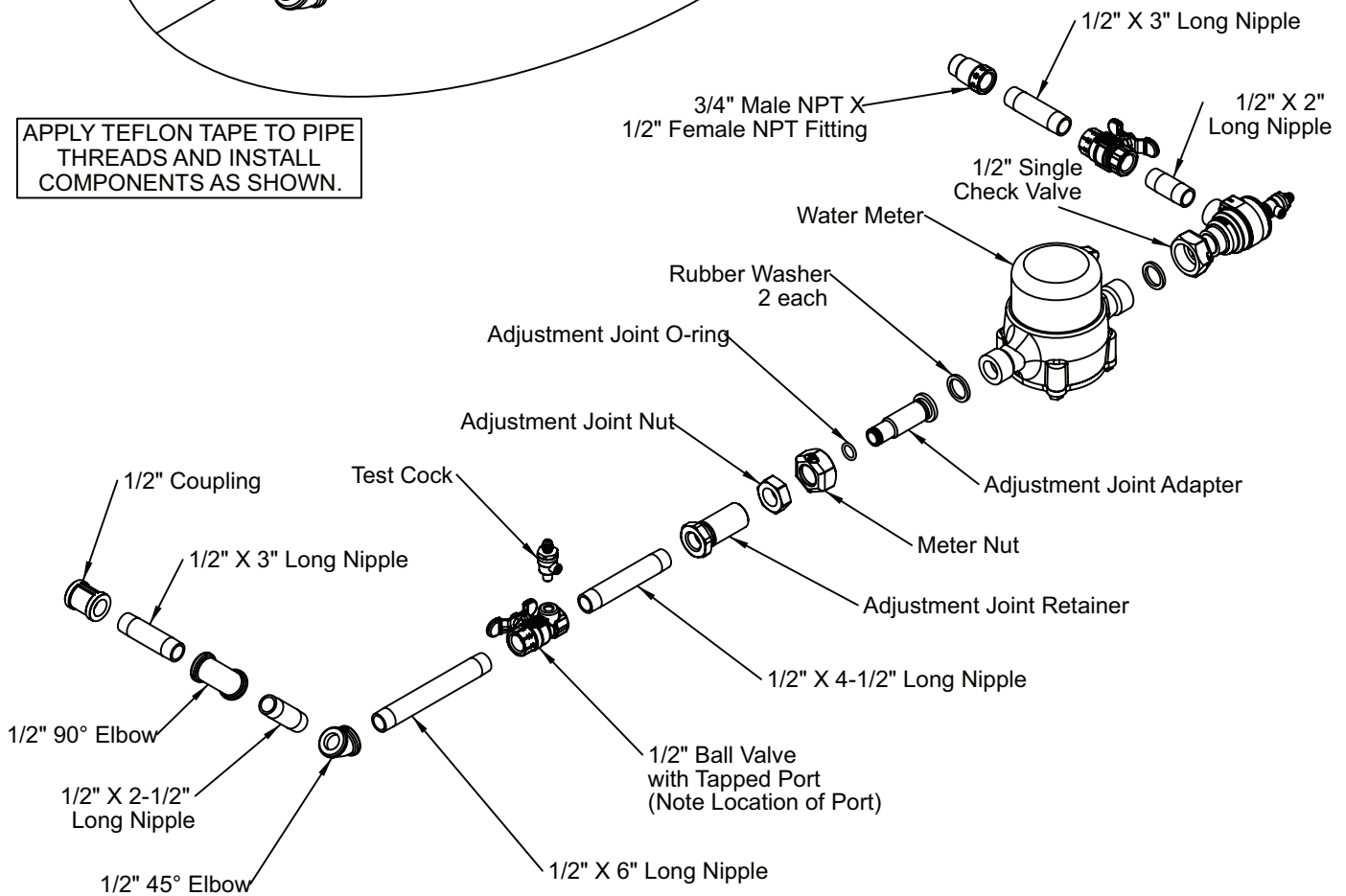
APPLY TEFLON TAPE TO PIPE THREADS AND INSTALL COMPONENTS AS SHOWN.

BYPASS KITS

10" TYPE 2 BYPASS LINE



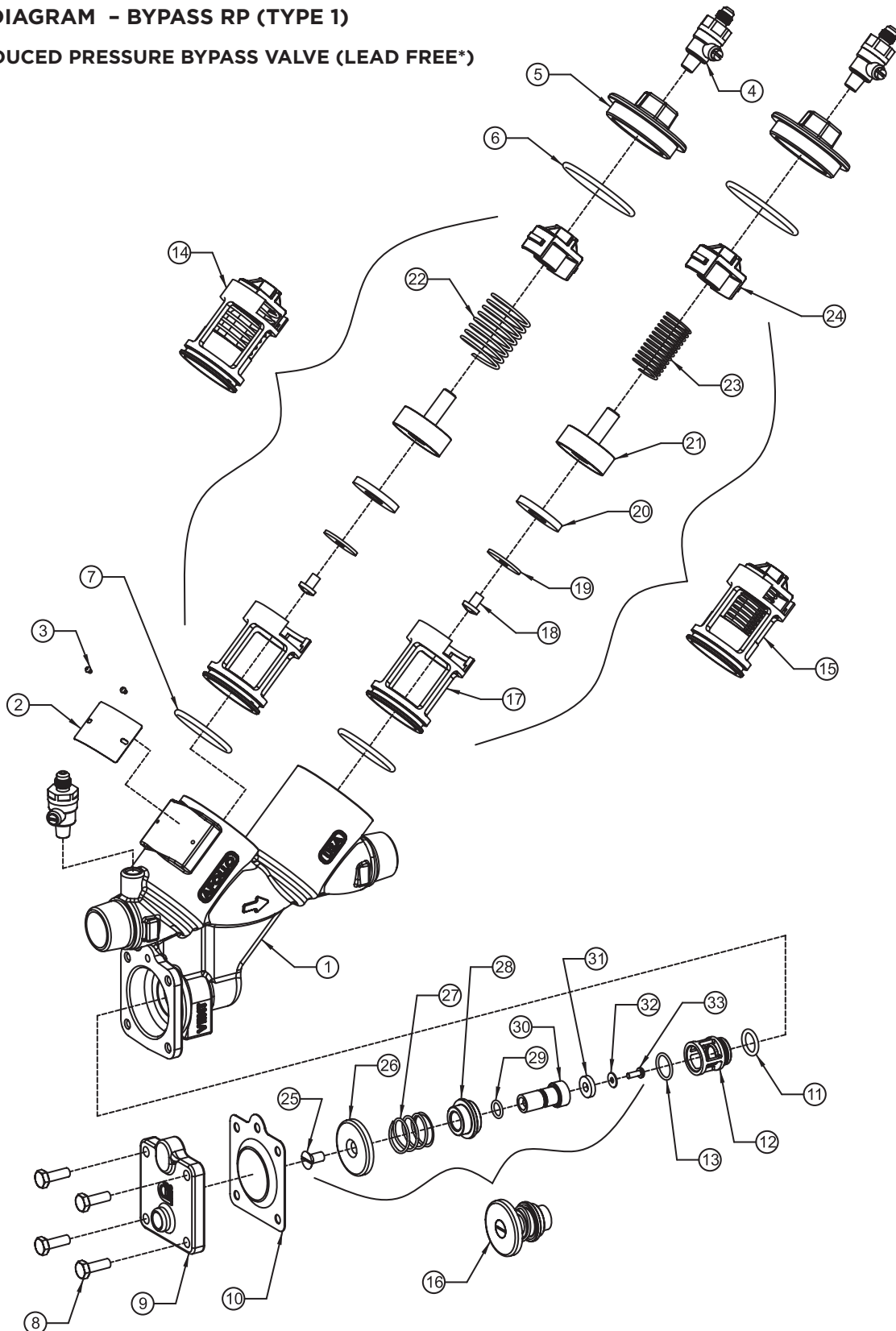
APPLY TEFLON TAPE TO PIPE THREADS AND INSTALL COMPONENTS AS SHOWN.



APPLY TEFLON TAPE TO PIPE THREADS AND INSTALL COMPONENTS AS SHOWN.

PARTS LIST DIAGRAM - BYPASS RP (TYPE 1)

W965505 REDUCED PRESSURE BYPASS VALVE (LEAD FREE*)



TYPE 1 BYPASS RP PARTS LIST

ITEM	DESCRIPTION	PART#	QTY
1	Body	Q-6891-05	1
2	Nameplate	I-9169-00	1
3	Nameplate Tack	I-2614-00	2
4	Test Cock	78LF-292-01	4
5	Cap	F-3847-05	2
6	Cap O-Ring	D-4881-00	2
7	Check Module O-Ring	D-4880-00	2
8	RV Cover Bolts	B-1793-00	4
9	RV Cover	F-3891-05	1
10	RV Diaphragm	D-2632-00	1
11	RV Seat O-Ring	D-4892-00	1
12	RV Seat	L-7894-00	1
13	RV Bushing Face O-Ring	D-4893-00	1
14	1st Check Module S-Assy (see table below)	W-9207-05	1
15	2nd Check Module S-Assy (see table below)	W-9075-05	1
16	RV Module S-Assy (see table below)	W-9586-05	1

Individual parts are only available for bulk sales. Please refer to the appropriate repair kits below.

TYPE 1 BYPASS RP CHECK MODULE PARTS LIST

ITEM	DESCRIPTION	PART#	QTY
17	Check Seat	L-7815-00	1
18	Screw	B-3279-00	1
19	Disc Retaining Washer	E-2372-00	1
20	Seat Disc	D-4771-00	1
21	Poppet	K-4491-00	1
22	Spring, First Check	A-2514-00	1
23	Spring, Second Check	A-2505-00	1
24	Spring Retainer	L-7814-00	1

Individual parts are only available for bulk sales. Please refer to the appropriate repair kits below.

TYPE 1 RELIEF VALVE MODULE SUBASSEMBLY PARTS LIST

ITEM	DESCRIPTION	PART#	QTY
25	RV Diaphragm Plate Screw	B-1749-00	1
26	RV Diaphragm Plate	E-2222-00	1
27	RV Spring	A-2542-00	1
28	RV Bushing	I-9225-00	1
29	RV Stem O-Ring	D-4891-00	1
30	RV Stem	G-4791-00	1
31	RV Seat Disc	D-4833-00	1
32	RV Seat Disc Washer	NONE	1
33	RV Seat Disc Screw	B-3254-00	1

Individual parts are only available for bulk sales. Please refer to the appropriate repair kits below.

BYPASS RP REPAIR KITS

CHECK RUBBER REPAIR KIT

4A-003-01: Kit includes items 6, 7, and 20 (1 ea.)

RP FIRST CHECK REPAIR KIT

4A-003-03: Kit includes items 6, 7, and 14 (1 ea.)

RP SECOND CHECK REPAIR KIT

4A-003-02: Kit includes items 6, 7, and 15 (1 ea.)

RP RELIEF VALVE RUBBER KIT

4A-005-04: Kit includes items 10, 11, 13, 29, and 31 (1 ea.)

RP RELIEF VALVE COMPLETE KIT

4A-005-05: Kit Includes items 10, 11, 12, 13, and 16 (1 ea.)

RP COMPLETE RUBBER KIT

4A-005-09: Kit includes items 6, 7, and 20 (2 ea.), 10, 11, 13, 29, and 31 (1 ea.)

Note: All bronze components listed are lead-free*

*LEAD FREE: The wetted surfaces of this product shall contain no more than 0.25% lead by weighted average. Complies with CA AB1953, VT Act 193, MD HB372, LA HB471, and Federal Public Law 111-380.

IX. MAINTENANCE INSTRUCTIONS - BYPASS RP (TYPE 1)

A. DISASSEMBLY - CHECK VALVE MODULE

1. Close #2 bypass line shut-off valve, then close #1 bypass line shut-off valve.
2. Bleed pressure from the assembly by opening all test cocks on bypass RP.
3. Unscrew cap using hex head provided.
4. Push down and turn the spring retainer 90° to remove. Remove the spring. Remove the poppet from the check seat.
5. Normally, the check seat need not be removed. If removal is required, rock it back and forth while pulling outward.

B. DISASSEMBLY - CHECK VALVE POPPET

CAUTION: Do not use pliers or other tools, which may damage or scratch the plastic stem.

1. Holding the poppet assembly in one hand, remove screw and retaining washer.
2. Remove the seat disc.
3. All parts should be carefully inspected for any damage or excessive wear and thoroughly rinsed in clean water prior to reassembly. Replace worn parts as necessary.

C. ASSEMBLY - CHECK VALVE POPPET

1. Install new or cleaned disc in poppet and secure with washer and screw.

D. ASSEMBLY - CHECK VALVE MODULE

1. If the check seat was removed, install the new o-ring and lubricate with Apollo® supplied lubricant, Dow 111, or equivalent.
2. Line up the seat with the bore and push it firmly into place.
3. Place and center the poppet assembly in the check seat.
4. Install the spring onto the poppet.
5. Install the spring retainer onto the spring by pushing down into the grooves of the check seat and turning 90°. Ensure spring retainer pops up about 1/8" and locks into the lugs. CAUTION: Ensure the spring retainer orientation matches that in the parts list drawing or the device's flow will be significantly restricted (i.e. - do not install the spring retainer upside down).
6. Apply a thin coat of Apollo® supplied lubricant, DOW 111 or equal, on cap o-ring.
7. Install cap.

E. DISASSEMBLY - RELIEF VALVE

1. Remove cover bolts, cover, and diaphragm.
2. Grasp the diaphragm plate and pull the assembly straight out of the body.
3. Hold the relief valve assembly in one hand and remove the screw.
4. Remove the seat disc.

Note: Items 5 through 7 are not normally required.

5. Turn the assembly over, keeping the spring compressed by holding down on the diaphragm plate, remove screw.
6. Remove the diaphragm plate, spring, and bushing from the RV stem. Note the orientation of the bushing with respect to the spring.
7. Remove the o-ring from the RV stem.
8. Normally, the RV seat need not be removed. If removal is required, rock it back and forth while pulling outward.
9. All parts should be carefully inspected for any damage or excessive wear and thoroughly rinsed in clean water prior to reassembly. Replace worn parts as necessary.

F. ASSEMBLY - RELIEF VALVE

1. Apply a thin coat of Apollo® supplied lubricant, Dow 111, or equal on o-rings before installing.
2. Install o-ring on RV seat. Line up the seat with the bore and push firmly into place.
3. If the RV stem has been disassembled, install o-ring onto RV stem.
4. Slide bushing over RV stem and position spring onto bushing. Note the correct position of the bushing from step #6 in disassembly instructions. (Spring must fit over the smaller shoulder of the bushing upon reassembly.)
5. Position diaphragm plate and compress spring, install screw into RV stem.
6. Turn the assembly over and install seat disc and screw.
7. Install o-ring onto bushing.
8. Slide complete assembly into the body.
9. Position diaphragm over flange, install cover, and tighten bolts evenly.
10. Open #1 shut-off valve and bleed air out of the unit through #2, #3, and #4 test cocks; then open #2 shut-off valve.
11. Test complete assembly to ensure proper operation.

SHUT-OFF VALVE PART NUMBERS

(UL LISTED ASSEMBLIES MUST HAVE INDICATING TYPE SHUT-OFF VALVES ON INLET AND OUTLET.)

SHUT-OFF VALVE OPTIONS -- 2-1/2"			
ASSEMBLY DESCRIPTION (INLET X OUTLET)	INLET	OUTLET	SUFFIX
FLANGE NRS X FLANGE NRS	W-5310-00	W-5310-00	-02
FLANGE OS&Y X FLANGE OS&Y	W-4733-00	W-4733-00	-03
FLANGE OS&Y X MONITORED BFV	W-4733-00	W-5244-00	-04
FLANGE OS&Y X GROOVED OS&Y	W-4733-00	W-5282-00	-07
GROOVED OS&Y X GROOVED OS&Y	W-5282-00	W-5282-00	-08
MONITORED BFV X MONITORED BFV	W-5244-00	W-5244-00	-09
GROOVE NRS X GROOVE NRS	W-9369-00	W-9369-00	-011
FLANGE NRS X GROOVE NRS	W-5310-00	W-9369-00	-012

SHUT-OFF VALVE OPTIONS -- 3"					
ASSEMBLY DESCRIPTION (INLET X OUTLET)	INLET	OUTLET	POST PLATE	OPERATING NUT	SUFFIX
FLANGE NRS X FLANGE NRS	W-5311-00	W-5311-00	N/A	N/A	-02
FLANGE OS&Y X FLANGE OS&Y	W-4734-00	W-4734-00	N/A	N/A	-03
FLANGE OS&Y X MONITORED BFV	W-4734-00	W-5245-00	N/A	N/A	-04
FLANGE OS&Y X FLANGE POST INDICATOR	W-4734-00	W-5311-00	E-2922-00	C-2640-00	-06
FLANGE OS&Y X GROOVE OS&Y	W-4734-00	W-5283-00	N/A	N/A	-07
GROOVE OS&Y X GROOVE OS&Y	W-5283-00	W-5283-00	N/A	N/A	-08
MONITORED BFV X MONITORED BFV	W-5245-00	W-5245-00	N/A	N/A	-09
FLANGE OS&Y X GROOVE POST INDICATOR	W-4734-00	W-9370-00	E-2922-00	C-2640-00	-010
GROOVE NRS X GROOVE NRS	W-9370-00	W-9370-00	N/A	N/A	-011
FLANGE NRS X GROOVE NRS	W-5311-00	W-9370-00	N/A	N/A	-012
FLANGE POST INDICATOR X MONITORED BFV	W-5311-00	W-5245-00	E-2922-00	C-2640-00	-013
FLANGE POST INDICATOR X FLANGE POST INDICATOR	W-5311-00	W-5311-00	E-2922-00	C-2640-00	-014
MONITORED BFV X FLANGE POST INDICATOR	W-5245-00	W-5311-00	E-2922-00	C-2640-00	-016
FLANGE POST INDICATOR X GROOVE OS&Y	W-5311-00	W-5283-00	E-2922-00	C-2640-00	-017
GROOVE OS&Y X GROOVE POST INDICATOR	W-5283-00	W-9370-00	E-2922-00	C-2640-00	-018
MONITORED BFV X GROOVE POST INDICATOR	W-5245-00	W-9370-00	E-2922-00	C-2640-00	-019
FLANGE POST INDICATOR X FLANGE OS&Y	W-5311-00	W-4734-00	E-2922-00	C-2640-00	-020

SHUT-OFF VALVE PART NUMBERS

(UL LISTED ASSEMBLIES MUST HAVE INDICATING TYPE SHUT-OFF VALVES ON INLET AND OUTLET.)

SHUT-OFF VALVE OPTIONS -- 4"					
ASSEMBLY DESCRIPTION (INLET X OUTLET)	INLET	OUTLET	POST PLATE	OPERATING NUT	SUFFIX
FLANGE NRS X FLANGE NRS	W-2870-00	W-2870-00	N/A	N/A	-02
FLANGE OS&Y X FLANGE OS&Y	W-2889-00	W-2889-00	N/A	N/A	-03
FLANGE OS&Y X MONITORED BFV	W-2889-00	W-5246-00	N/A	N/A	-04
FLANGE OS&Y X FLANGE POST INDICATOR	W-2889-00	W-2870-00	E-3025-00	C-2776-00	-06
FLANGE OS&Y X GROOVE OS&Y	W-2889-00	W-2895-00	N/A	N/A	-07
GROOVE OS&Y X GROOVE OS&Y	W-2895-00	W-2895-00	N/A	N/A	-08
MONITORED BFV X MONITORED BFV	W-5246-00	W-5246-00	N/A	N/A	-09
FLANGE OS&Y X GROOVE POST INDICATOR	W-9126-00	W-2876-00	E-3025-00	C-2776-00	-010
GROOVE NRS X GROOVE NRS	W-2876-00	W-2876-00	N/A	N/A	-011
FLANGE NRS X GROOVE NRS	W-2870-00	W-2876-00	N/A	N/A	-012
FLANGE POST INDICATOR X MONITORED BFV	W-2870-00	W-5246-00	E-3025-00	C-2776-00	-013
FLANGE POST INDICATOR X FLANGE POST INDICATOR	W-2870-00	W-2870-00	E-3025-00	C-2776-00	-014
MONITORED BFV X FLANGE POST INDICATOR	W-5246-00	W-2870-00	E-3025-00	C-2776-00	-016
FLANGE POST INDICATOR X GROOVE OS&Y	W-2870-00	W-2895-00	E-3025-00	C-2776-00	-017
GROOVE OS&Y X GROOVE POST INDICATOR	W-2895-00	W-2876-00	E-3025-00	C-2776-00	-018
MONITORED BFV X GROOVE POST INDICATOR	W-5246-00	W-2876-00	E-3025-00	C-2776-00	-019
FLANGE POST INDICATOR X FLANGE OS&Y	W-2870-00	W-2889-00	E-3025-00	C-2776-00	-020
GROOVE POST INDICATOR X GROOVE OS&Y	W-2876-00	W-2895-00	E-3025-00	C-2776-00	-021
GROOVE POST INDICATOR X MONITORED BFV	W-2876-00	W-5246-00	E-3025-00	C-2776-00	-022
MONITORED BFV X FLANGE OS&Y	W-5246-00	W-2889-00	E-3025-00	C-2776-00	-023

SHUT-OFF VALVE OPTIONS -- 6"					
ASSEMBLY DESCRIPTION (INLET X OUTLET)	INLET	OUTLET	POST PLATE	OPERATING NUT	SUFFIX
FLANGE NRS X FLANGE NRS	W-2871-00	W-2871-00	N/A	N/A	-02
FLANGE OS&Y X FLANGE OS&Y	W-2890-00	W-2890-00	N/A	N/A	-03
FLANGE OS&Y X MONITORED BFV	W-2890-00	W-5247-00	N/A	N/A	-04
FLANGE OS&Y X FLANGE POST INDICATOR	W-2890-00	W-2871-00	E-2036-00	C-2777-00	-06
FLANGE OS&Y X GROOVE OS&Y	W-2890-00	W-2896-00	N/A	N/A	-07
GROOVE OS&Y X GROOVE OS&Y	W-2896-00	W-2896-00	N/A	N/A	-08
MONITORED BFV X MONITORED BFV	W-5247-00	W-5247-00	N/A	N/A	-09
FLANGE OS&Y X GROOVE POST INDICATOR	W-2890-00	W-2877-00	E-2036-00	C-2777-00	-010
GROOVE NRS X GROOVE NRS	W-2877-00	W-2877-00	N/A	N/A	-011
FLANGE NRS X GROOVE NRS	W-2871-00	W-2877-00	N/A	N/A	-012
FLANGE POST INDICATOR X MONITORED BFV	W-2871-00	W-5247-00	E-2036-00	C-2777-00	-013
FLANGE POST INDICATOR X FLANGE POST INDICATOR	W-2871-00	W-2871-00	E-2036-00	C-2777-00	-014
MONITORED BFV X FLANGE POST INDICATOR	W-5247-00	W-2871-00	E-2036-00	C-2777-00	-016
FLANGE POST INDICATOR X GROOVE OS&Y	W-2871-00	W-2896-00	E-2036-00	C-2777-00	-017
GROOVE OS&Y X GROOVE POST INDICATOR	W-2896-00	W-2877-00	E-2036-00	C-2777-00	-018
MONITORED BFV X GROOVE POST INDICATOR	W-5247-00	W-2877-00	E-2036-00	C-2777-00	-019
FLANGE POST INDICATOR X FLANGE OS&Y	W-2871-00	W-2890-00	E-2036-00	C-2777-00	-020
GROOVE POST INDICATOR X GROOVE OS&Y	W-2877-00	W-2896-00	E-2036-00	C-2777-00	-021
GROOVE POST INDICATOR X MONITORED BFV	W-2877-00	W-5247-00	E-2036-00	C-2777-00	-022
MONITORED BFV X FLANGE OS&Y	W-5247-00	W-2890-00	E-2036-00	C-2777-00	-023

SHUT-OFF VALVE PART NUMBERS

(UL LISTED ASSEMBLIES MUST HAVE INDICATING TYPE SHUT-OFF VALVES ON INLET AND OUTLET.)

SHUT-OFF VALVE OPTIONS -- 8"					
ASSEMBLY DESCRIPTION (INLET X OUTLET)	INLET	OUTLET	POST PLATE	OPERATING NUT	SUFFIX
FLANGE NRS X FLANGE NRS	W-2872-00	W-2872-00	N/A	N/A	-02
FLANGE OS&Y X FLANGE OS&Y	W-2890-00	W-2890-00	N/A	N/A	-03
FLANGE OS&Y X MONITORED BFV	W-2890-00	W-5248-00	N/A	N/A	-04
FLANGE OS&Y X FLANGE POST INDICATOR	W-2890-00	W-2872-00	E-3026-00	C-2777-00	-06
FLANGE OS&Y X GROOVE OS&Y	W-2890-00	W-2897-00	N/A	N/A	-07
GROOVE OS&Y X GROOVE OS&Y	W-2897-00	W-2897-00	N/A	N/A	-08
MONITORED BFV X MONITORED BFV	W-5248-00	W-5248-00	N/A	N/A	-09
FLANGE OS&Y X GROOVE POST INDICATOR	W-2890-00	W-2878-00	E-3026-00	C-2777-00	-010
GROOVE NRS X GROOVE NRS	W-2878-00	W-2878-00	N/A	N/A	-011
FLANGE NRS X GROOVE NRS	W-2872-00	W-2878-00	N/A	N/A	-012
FLANGE POST INDICATOR X MONITORED BFV	W-2872-00	W-5248-00	E-3026-00	C-2777-00	-013
FLANGE POST INDICATOR X FLANGE POST INDICATOR	W-2872-00	W-2872-00	E-3026-00	C-2777-00	-014
MONITORED BFV X FLANGE POST INDICATOR	W-5248-00	W-2872-00	E-3026-00	C-2777-00	-016
FLANGE POST INDICATOR X GROOVE OS&Y	W-2872-00	W-2897-00	E-3026-00	C-2777-00	-017
GROOVE OS&Y X GROOVE POST INDICATOR	W-2897-00	W-2878-00	E-3026-00	C-2777-00	-018
MONITORED BFV X GROOVE POST INDICATOR	W-5248-00	W-2878-00	E-3026-00	C-2777-00	-019
FLANGE POST INDICATOR X FLANGE OS&Y	W-2872-00	W-2890-00	E-3026-00	C-2777-00	-020
GROOVE POST INDICATOR X GROOVE OS&Y	W-2878-00	W-2897-00	E-2036-00	C-2777-00	-021
GROOVE POST INDICATOR X MONITORED BFV	W-2878-00	W-5248-00	E-2036-00	C-2777-00	-022
MONITORED BFV X FLANGE OS&Y	W-5248-00	W-2890-00	E-2036-00	C-2777-00	-023

SHUT-OFF VALVE OPTIONS -- 10"					
ASSEMBLY DESCRIPTION (INLET X OUTLET)	INLET	OUTLET	POST PLATE	OPERATING NUT	SUFFIX
FLANGE NRS X FLANGE NRS	W-2873-00	W-2873-00	N/A	N/A	-02
FLANGE OS&Y X FLANGE OS&Y	W-2892-00	W-2892-00	N/A	N/A	-03
FLANGE OS&Y X MONITORED BFV	W-2892-00	W-5249-00	N/A	N/A	-04
FLANGE OS&Y X FLANGE POST INDICATOR	W-2892-00	W-2873-00	E-3027-00	C-2778-00	-06
FLANGE OS&Y X GROOVE OS&Y	W-2892-00	W-2898-00	N/A	N/A	-07
GROOVE OS&Y X GROOVE OS&Y	W-2898-00	W-2898-00	N/A	N/A	-08
MONITORED BFV X MONITORED BFV	W-5249-00	W-5249-00	N/A	N/A	-09
FLANGE OS&Y X GROOVE POST INDICATOR	W-2892-00	W-2879-00	E-3027-00	C-2778-00	-010
GROOVE NRS X GROOVE NRS	W-2879-00	W-2879-00	N/A	N/A	-011
FLANGE NRS X GROOVE NRS	W-2873-00	W-2879-00	N/A	N/A	-012
FLANGE POST INDICATOR X MONITORED BFV	W-2873-00	W-5249-00	E-3027-00	C-2778-00	-013
FLANGE POST INDICATOR X FLANGE POST INDICATOR	W-2873-00	W-2873-00	E-3027-00	C-2778-00	-014
MONITORED BFV X FLANGE POST INDICATOR	W-5249-00	W-2873-00	E-3027-00	C-2778-00	-016
FLANGE POST INDICATOR X GROOVE OS&Y	W-2873-00	W-2898-00	E-3027-00	C-2778-00	-017
GROOVE OS&Y X GROOVE POST INDICATOR	W-2898-00	W-2879-00	E-3027-00	C-2778-00	-018
MONITORED BFV X GROOVE POST INDICATOR	W-5249-00	W-2879-00	E-3027-00	C-2778-00	-019
FLANGE POST INDICATOR X FLANGE OS&Y	W-2873-00	W-2892-00	E-3027-00	C-2778-00	-020
GROOVE POST INDICATOR X GROOVE OS&Y	W-2879-00	W-2898-00	E-3027-00	C-2778-00	-021
GROOVE POST INDICATOR X MONITORED BFV	W-2879-00	W-5249-00	E-3027-00	C-2778-00	-022
MONITORED BFV X FLANGE OS&Y	W-5249-00	W-2892-00	E-3027-00	C-2778-00	-023

SHUT-OFF VALVE OPTIONS -- 12"					
ASSEMBLY DESCRIPTION (INLET X OUTLET)	INLET	OUTLET	POST PLATE	OPERATING NUT	SUFFIX
FLANGE NRS X FLANGE NRS	W-2867-00	W-2867-00	N/A	N/A	-02
FLANGE OS&Y X FLANGE OS&Y	W-2886-00	W-2886-00	N/A	N/A	-03
FLANGE OS&Y X FLANGE POST INDICATOR	W-2886-00	W-2867-00	E-3027-00	C-2778-00	-06

"Apollo"®

PHONE: (704) 841-6000

FAX: (704) 841-6020

Regional Management List
now available online at:

<http://conbra.co/rmlist>

ES1600 IOM BFMMRP4ALBF rev.a 8/17

Customer Service (704) 841-6000
www.apollovalves.com

