

WEIL-McLAIN

WMBP

Brazed Plate
Heat Exchangers



- For Radiant Heating... Snow Melting... Domestic Hot Water... Much More
- Stainless Steel Construction
- Weil-McLain Quality & Sales Support

WEIL-McLAIN



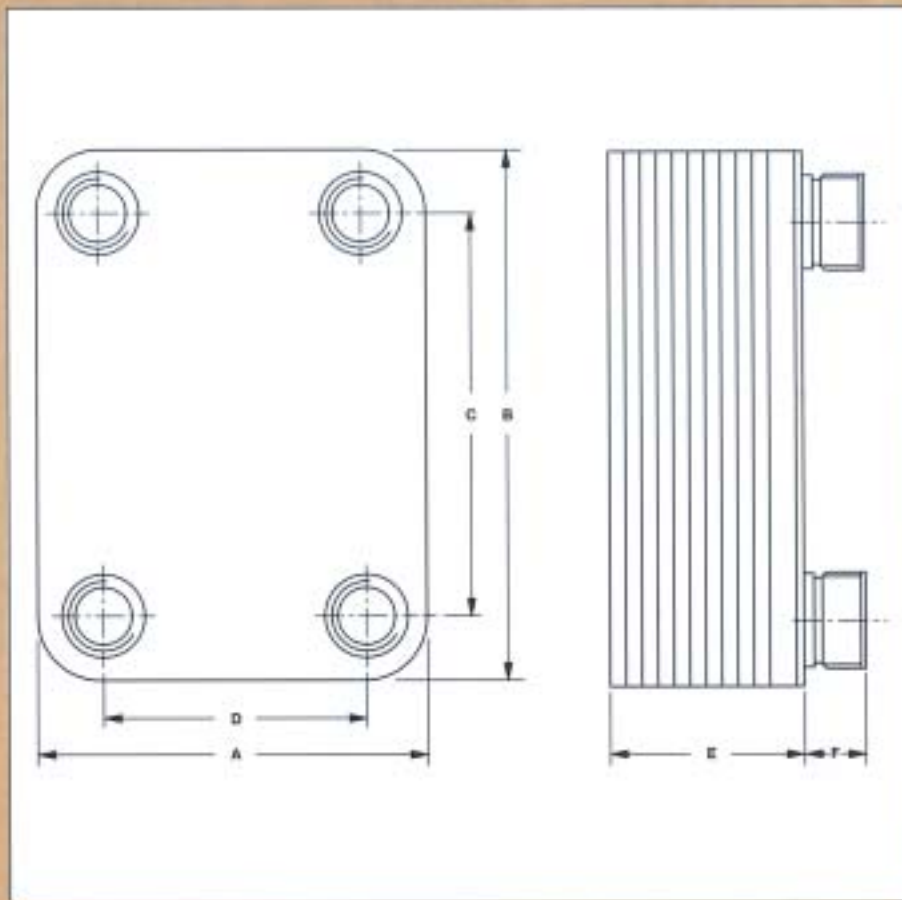
Heat Exchangers

Weil-McLain Model WMBP brazed plate heat exchangers are available in seventeen standard sizes. These compact, light weight units are designed for a wide variety of applications including snow melting, radiant heating and domestic hot water.

WMBP pattern-embossed plates are made of high quality acid-resistant 316 stainless steel with 99.9% pure copper brazing. Plates are vacuum brazed together with every second plate inverted to create contact points between all plates forming a compact, pressure resistant heat exchanger. Other features include:

- **High Efficiency** - Plates are designed to create two separate channels for counterflow movement resulting in high turbulence and maximum heat transfer.
- **Non-Corrosive** - Stainless steel plates and copper brazing assure corrosion resistance.
- **Self Cleaning** - Turbulent flow, even at low velocities, creates a self-cleaning design to resist scaling.
- **Maximum working pressure: 450 PSI; maximum working temperature: 365°F.**
- **Backed by Weil-McLain for the best value in product quality, sales, service and technical support.**

BRAZED PLATE HEAT EXCHANGERS



DIMENSIONS

Model No.	Threaded Connections (inch) N.P.T.	Dimensions - inches						Empty Weight lbs.
		A	B	C	D	E	F	
WMBP1-14E*	3/4	2 1/2	8	6 1/2	1 1/2	1 1/2	3/4	3
WMBP1-20E*	3/4	2 1/2	8	6 1/2	1 1/2	2	3/4	4
WMBP1-30E*	3/4	2 1/2	8	6 1/2	1 1/2	3	3/4	5
WMBP3-14	1	4 1/2	6 1/2	4 1/2	2 1/2	1 1/2	3/4	5
WMBP3-20	1	4 1/2	6 1/2	4 1/2	2 1/2	2	3/4	6
WMBP3-40	1	4 1/2	6 1/2	4 1/2	2 1/2	4	3/4	8
WMBP4-10	1	4 1/2	12 1/2	11	2 1/2	1 1/2	3/4	7
WMBP4-14	1	4 1/2	12 1/2	11	2 1/2	1 1/2	3/4	8
WMBP4-24	1	4 1/2	12 1/2	11	2 1/2	2 1/2	3/4	10
WMBP4-30	1	4 1/2	12 1/2	11	2 1/2	3	3/4	12
WMBP4-50	1	4 1/2	12 1/2	11	2 1/2	4 1/2	3/4	17
WMBP7-20	2	10 1/2	20 1/2	18 1/2	7 1/2	2 1/2	2 1/2	39
WMBP7-24	2	10 1/2	20 1/2	18 1/2	7 1/2	2 1/2	2 1/2	44
WMBP7-30	2	10 1/2	20 1/2	18 1/2	7 1/2	3	2 1/2	52
WMBP7-40	2	10 1/2	20 1/2	18 1/2	7 1/2	3 1/2	2 1/2	65
WMBP7-50	2	10 1/2	20 1/2	18 1/2	7 1/2	4 1/2	2 1/2	78
WMBP7-60	2	10 1/2	20 1/2	18 1/2	7 1/2	5 1/2	2 1/2	82

*WMBP1-14E, 20E & 30E - Max. working pressure: 150 PSI.

All other units - Max. working pressure: 450 PSI; Max. working temp.: 365°F.

TYPICAL SNOW MELT APPLICATIONS

Model No.	Boiler			Snow Melt	
	Input BTU/Hr.	GPM	Pressure Drop - PSI	GPM	Pressure Drop - PSI
WMBP1-14E	25,000	2.5	0.7	1.7	0.3
WMBP1-14E	30,000	3.1	1.0	2.1	0.4
WMBP1-14E	35,000	3.6	1.4	2.4	0.5
WMBP1-14E	40,000	4.0	1.9	2.8	0.6
WMBP1-14E	45,000	4.7	2.4	3.1	0.8
WMBP1-14E	50,000	5.2	2.9	3.4	0.9
WMBP1-14E	60,000	6.3	4.3	4.1	1.4
WMBP1-14E	70,000	7.4	5.9	4.8	1.9
WMBP1-30	80,000	8.4	2.2	5.5	0.9
WMBP3-20	90,000	9.4	1.5	6.1	0.5
WMBP3-20	100,000	10.5	1.8	6.7	0.6
WMBP3-20	125,000	13.1	3.0	8.4	1.0
WMBP3-20	150,000	15.7	4.3	10.1	1.5
WMBP3-40	175,000	18.4	1.2	11.8	0.5
WMBP3-40	200,000	21.0	1.6	13.5	0.7
WMBP3-40	225,000	23.6	2.0	15.2	0.8
WMBP3-40	250,000	26.2	2.5	16.9	1.0
WMBP3-40	275,000	28.8	3.0	18.5	1.2
WMBP7-24	300,000	31.5	2.1	20.2	0.7
WMBP7-30	350,000	36.7	4.1	23.6	1.5
WMBP7-40	400,000	42.0	3.0	27.0	1.1
WMBP7-40	450,000	47.2	3.9	30.4	1.4
WMBP7-40	500,000	52.5	4.8	33.8	1.8

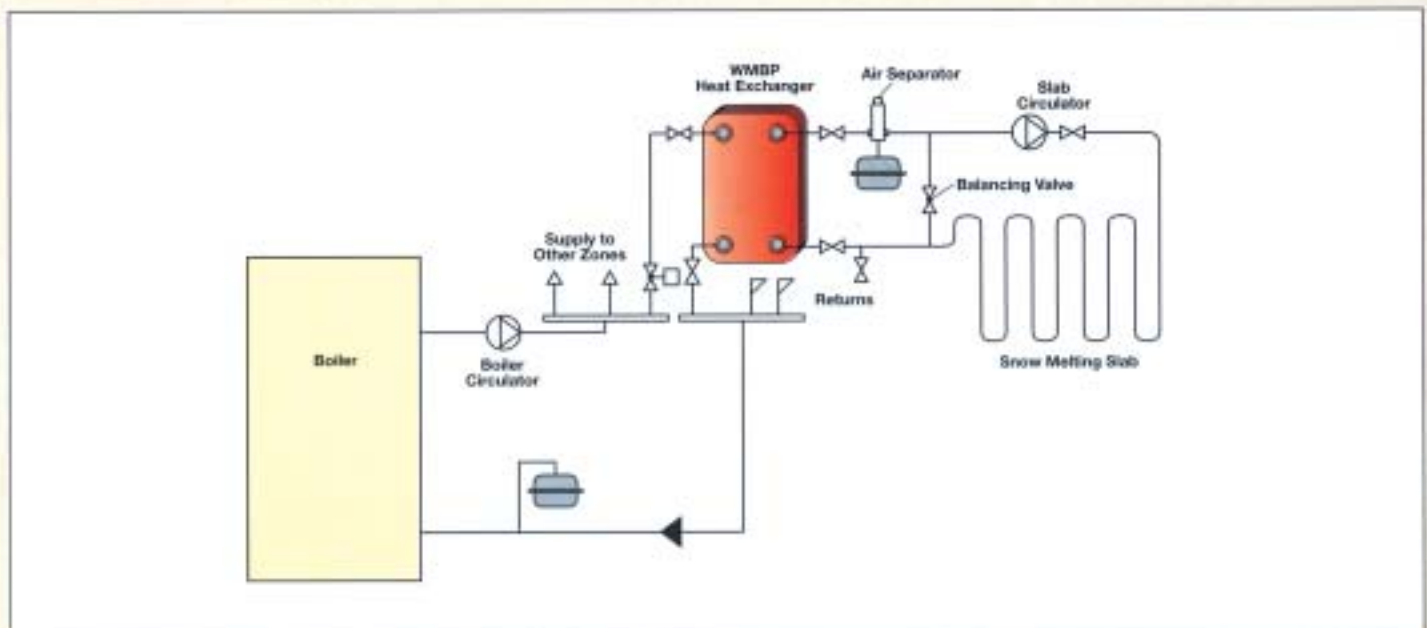
CONDITIONS: System - 30° temp. rise (100° to 130°). Boiler - 20° temp. drop (180° to 160°); 30% glycol.

TYPICAL RADIANT HEATING APPLICATIONS

Model No.	Boiler			Radiant System	
	Input BTU/Hr.	GPM	Pressure Drop - PSI	GPM	Pressure Drop - PSI
WMBP1-14E	25,000	2.6	0.5	2.5	0.4
WMBP1-14E	30,000	3.1	0.8	3.0	0.6
WMBP1-14E	35,000	3.6	1.1	3.5	0.9
WMBP1-14E	40,000	4.1	1.4	4.0	1.1
WMBP1-14E	45,000	4.6	1.8	4.5	1.4
WMBP1-14E	50,000	5.2	2.3	5.0	1.7
WMBP1-14E	55,000	5.7	2.8	5.5	2.1
WMBP1-14E	60,000	6.2	3.4	6.0	2.5
WMBP1-14E	65,000	6.7	4.0	6.5	2.9
WMBP1-14E	70,000	7.2	4.6	7.0	3.4
WMBP3-20	100,000	10.3	1.6	10.1	1.3
WMBP3-20	125,000	12.9	2.6	12.6	2.1
WMBP3-20	150,000	15.5	3.8	15.2	3.0
WMBP3-20	175,000	18.8	5.2	17.7	4.1
WMBP3-20	200,000	20.6	6.9	20.2	5.5
WMBP3-20	225,000	23.6	8.8	22.7	7.0

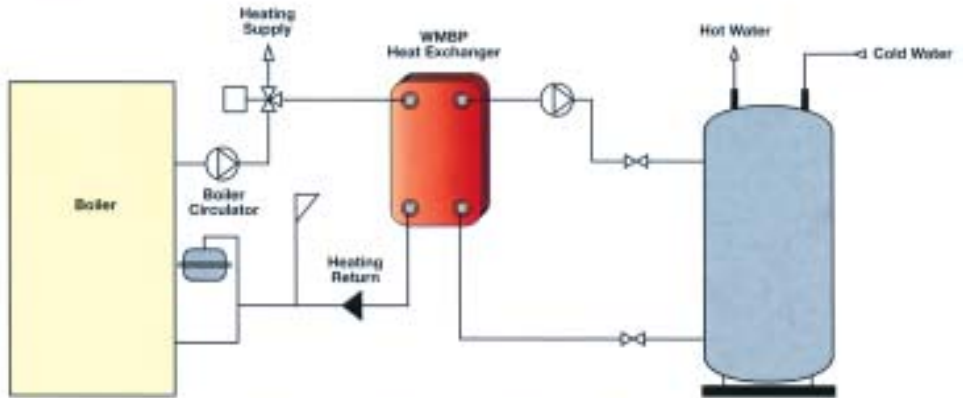
CONDITIONS: System - 20° temp. rise (100° to 120°). Boiler - 20° temp. drop (180° to 160°).

SNOW MELTING





DOMESTIC HOT WATER



Heat Exchanger with Storage Tank

Model No.	Boiler			Domestic Water		Ratings – GPH*	
	Input BTU/Hr.	Circ. Flow Rate GPM	Pressure Drop – PSI	GPM @ 90° Temp. Rise	Pressure Drop – PSI	1st Hour	Continuous Draw
WMBP1-14E	40,000	1.7	0.2	0.8	0.1	86	48
WMBP1-14E	45,000	1.9	0.3	1.0	0.1	98	60
WMBP1-14E	50,000	2.1	0.3	1.1	0.1	104	66
WMBP1-14E	55,000	2.3	0.4	1.2	0.1	110	72
WMBP1-14E	60,000	2.5	0.5	1.3	0.1	116	78
WMBP1-14E	70,000	2.9	0.7	1.5	0.1	128	90
WMBP1-14E	75,000	3.1	0.8	1.7	0.1	140	102
WMBP1-14E	80,000	3.3	0.9	1.8	0.2	146	108
WMBP1-14E	90,000	3.7	1.2	2.0	0.2	158	120
WMBP1-14E	100,000	4.2	1.4	2.2	0.2	170	132
WMBP1-14E	110,000	4.6	1.8	2.4	0.3	182	144
WMBP1-14E	120,000	5.0	2.1	2.6	0.4	194	156
WMBP1-14E	130,000	5.4	2.4	2.9	0.4	212	174
WMBP4-14	150,000	4.1	2.3	3.3	0.6	236	198
WMBP4-14	200,000	5.1	4.2	4.4	1.2	302	264
WMBP4-14	250,000	6.1	6.7	5.6	1.9	374	336

*Ratings based on 200° boiler water supply, 50 gal. storage tank, and 90° temp rise.

Sales Offices

New England

100 Medway Road
Suite 303
Milford, MA 01757
508.478.6800
FAX 508.478.6869

Metro

River Drive Center 1
619 River Drive
Elmwood Park, NJ 07407
201.797.8550
FAX 201.797.8552

Mid-Atlantic

17000 Commerce Parkway
Suite B
Mt. Laurel, NJ 08054
856.866.7400
FAX 856.866.8828

Mideast

Penn Center West #2
Suite 308
Pittsburgh, PA 15276
412.788.9345
FAX 412.788.0177

Midwest

2225 Enterprise Drive
Suite 2507
Westchester, IL 60154
708.562.6220
FAX 708.562.6371

West

1616 17th Street
Suite 562
Denver, CO 80202
303.628.5540
FAX 303.628.5539

In the interest of continual improvement in products and performance, Weil-McLain reserves the right to change specifications without notice.



Locate our Sales Offices by visiting our website:
www.weil-mclain.com

Weil-McLain
500 Blaine Street
Michigan City, IN 46360-2388