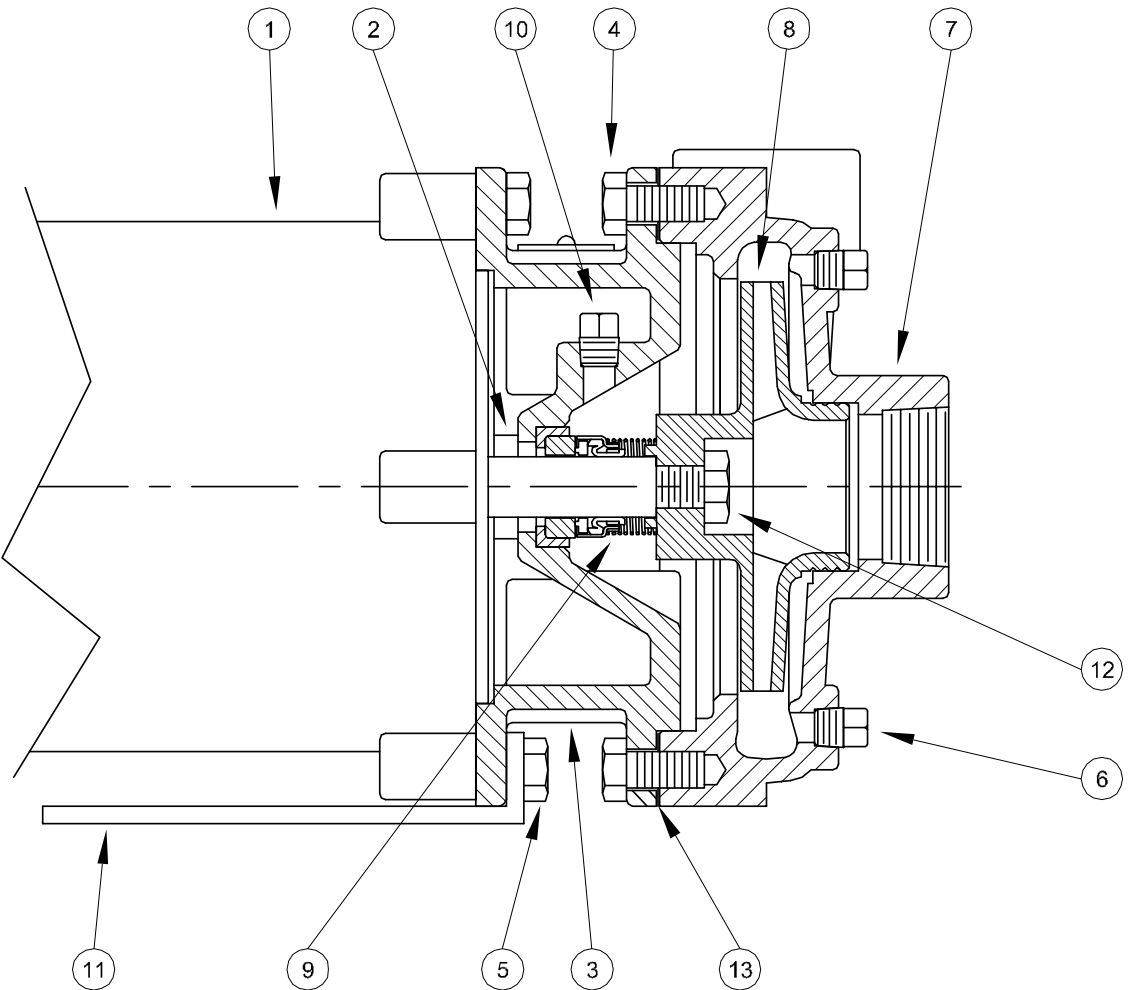


PUMP TYPES	PAGE	DESCRIPTION
CENTRIFUGALS Close Coupled (CCCP)	2 - 3	GA4 Series
	4 - 5	GA5-1 Series
	6 - 7	GA5-1-1/4 & GA6-1-1/4 Series
	8 - 9	GA7-1-1/4 Series
	10 - 11	GA6-1-1/2 & GA6-2 Series
	12 - 13	GA7-1-1/2 Series
	14 - 15	G5-1-1/4 & G6-1-1/4 Series
	16 - 17	G6-1-1/2 & G6-2 Series
	18 - 20	G6-2-1/2 Series
	22 - 24	G7-2, G7A-2 & G7-2-1/2 Series
	26 - 28	G9A-1-1/2 & G9-2 Series
	30 - 32	G9-2-1/2, G9-3 & G9A-3F Series
	34 - 35	4G9-4F Series
	36 - 37	DF4-1-1/4 Series
	38 - 39	DF6-2-1/2 Series
CENTRIFUGALS Base Mounted (CBMP)	40 - 41	GNA5-1-1/4 & GNA6-1-1/4 Series
	42 - 43	GNA6-1-1/2 Series
	44 - 46	GNB Series
	48 - 49	4GNB9-4F Series
	50 - 52	GNC Series
CENTRIFUGALS In-Line (CILP)	54 - 55	GB Series
CONDENSATE RETURN SYSTEMS (CRSP)	56 - 57	GV & GV6-1-1/4 Series
CENTRIFUGALS Self -Priming (CSPP)	58 - 59	WA6 Series
	60 - 61	WG6-2 Series
	62 - 63	WT3 & WPT3 Series
	64 - 65	WT5, WPT5 & WST5 Series
	66 - 67	WT5X, WPT5X & WST5X Series
	68 - 69	GWT Series (Gas Engine)
TURBINES Close Coupled (TCCP)	70 - 71	CR Series
	72 - 73	CT Series
	74 - 75	CT-SS Series (Stainless Steel)
	76 - 77	CS Series
	78 - 79	CS-SS Series (Stainless Steel)
TURBINES Base Mounted (TBMP)	80 - 81	ET Series
	82 - 83	ET-SS Series (Stainless Steel)
	84 - 85	ES Series
	86 - 87	ES-SS Series (Stainless Steel)
	88 - 90	EC & ED Series
HIGH TEMPERATURE PUMPS JACKETED SEAL	91 - 92	"MJ" Centrifugal Pumps
	93	"MJ" Turbine Pumps
SUMP PUMPS (SP)	94 - 95	VS Series - Discontinued 4/06
	96 - 97	FC Series - Discontinued 8/06 FS Series - Discontinued 1/04



1 - MOTORS (All 56J Frame)		
RPM & PHASE	PART NUMBER	HP
OPEN DRIP PROOF		
3500 RPM Single Phase (ODP)	003-211-371-02	1/3
	005-211-371-02	1/2
	007-211-371-02	3/4
	010-211-371-02	1
	015-211-371-02	1½
020-211-371-02	2	
3500 RPM Three Phase (ODP)	003-230-361-02	1/3
	005-230-361-02	1/2
	007-230-361-02	3/4
	010-230-361-02	1
	015-230-361-02	1½
020-230-361-02	2	
TOTALLY ENCLOSED		
3500 RPM Single Phase (TENV / TEFC)	005-211-372-02	1/2
	007-211-372-02	3/4
	010-211-372-02	1
	015-211-372-02	1½
	020-211-372-02	2
3500 RPM Three Phase (TENV / TEFC)	005-230-362-02	1/2
	007-230-362-02	3/4
	010-230-362D02	1
	015-230-362D02	1½
	020-230-362D02	2
EXPLOSION PROOF		
3500 RPM Single Phase (XP)	005-211-374-02	1/2
	007-211-374-02	3/4
	010-211-374-02	1
	015-211-374-02	1½
	020-211-374-02	2
3500 RPM Three Phase (XP)	005-230-364-02	1/2
	007-230-364-02	3/4
	010-230-364-02	1
	015-230-364-02	1½
	020-230-364-02	2

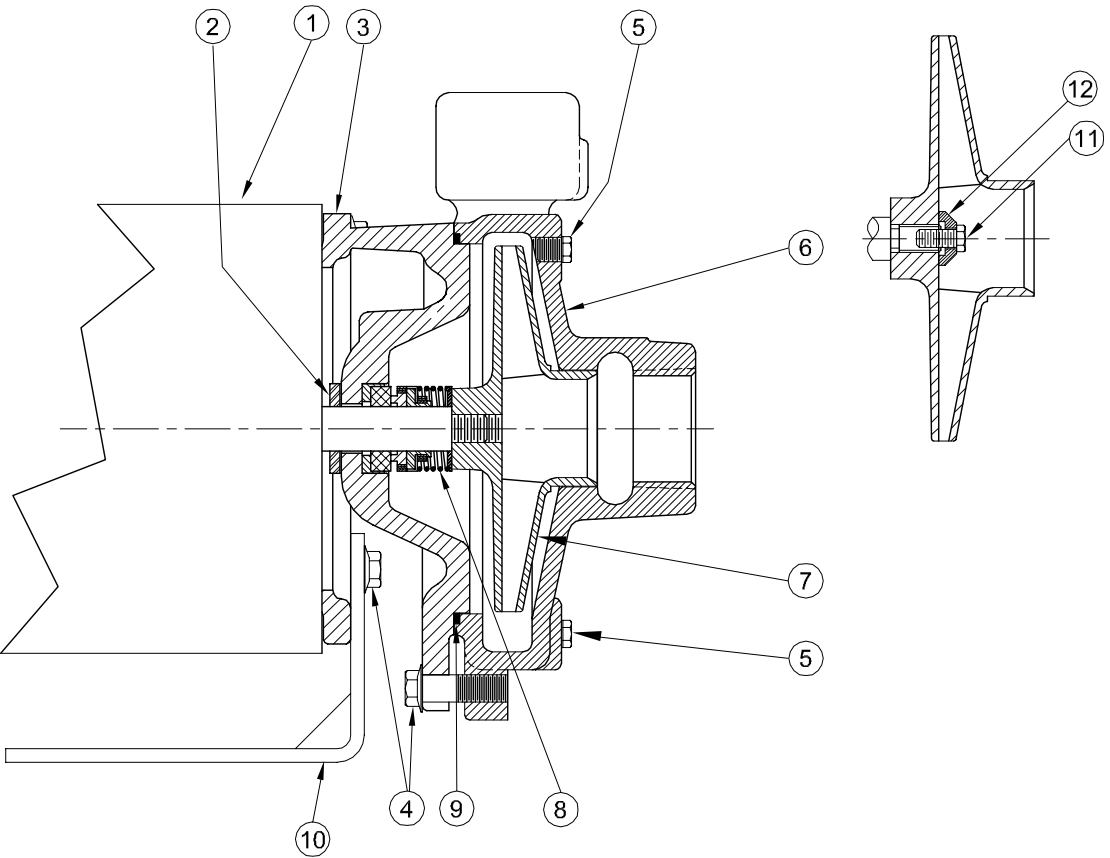
SYMBOL NUMBER	PART NUMBER	QTY	DESCRIPTION
9	08514	1	Mechanical Seal
10	00158	1	Pipe Plug 1/8"
11	0115519	1	Base
12	20459	1	Nut
13	0115516	1	Case Gasket

SYMBOL NUMBER	PART NUMBER	QTY	DESCRIPTION
2	08105	1	Slinger Washer
3	0115478	1	Adapter
4	03122	4	Cap Screw, 3/8-16 x 3/4" Lg
5	Q15-5-E26	4	Cap Screw, 3/8-16 x 7/8" Lg
6	00158	4	Pipe Plug 1/8"
7	0115488	1	Casing, GA4-3/4
	0115490	1	Casing, GA4-1
	0115492	1	Casing, GA4-1-1/4
	0115494	1	Casing, GA4-1-1/2
8	0115432-3.75	1	Impeller, Brass, 3GA4 & 33GA4-3/4
	0115432-4.00	1	Impeller, Brass, 5GA4 & 35GA4-3/4
	0115432-4.25	1	Impeller, Brass, 7GA4 & 37GA4-3/4
	0115436-3.25	1	Impeller, Brass, 3GA4 & 33GA4-1
	0115436-3.75	1	Impeller, Brass, 5GA4 & 35GA4-1
	0115436-4.00	1	Impeller, Brass, 7GA4 & 37GA4-1
	0115436-4.25	1	Impeller, Brass, 10GA4 & 310GA4-1
	0115440-3.25	1	Impeller, Brass, 3GA4 & 33GA4-1-1/4
	0115440-3.50	1	Impeller, Brass, 5GA4 & 35GA4-1-1/4
	0115440-3.75	1	Impeller, Brass, 7GA4 & 37GA4-1-1/4
	0115440-4.00	1	Impeller, Brass, 10GA4 & 310GA4-1-1/4
	0115440-4.25	1	Impeller, Brass, 15GA4 & 315GA4-1-1/4
	0115444-3.25	1	Impeller, Brass, 5GA4 & 35GA4-1-1/2
	0115444-3.50	1	Impeller, Brass, 7GA4 & 37GA4-1-1/2
	0115444-3.75	1	Impeller, Brass, 10GA4 & 310GA4-1-1/2
	0115444-4.25	1	Impeller, Brass, 15GA4 & 315GA4-1-1/2

CRANE[®]

PUMPS & SYSTEMS

Centrifugals - Close Coupled



1 - MOTORS (All 56J Frame)		
RPM & PHASE	PART NUMBER	HP
OPEN DRIP PROOF		
3500 RPM Single Phase (ODP)	003-211-371-02	1/3
	005-211-371-02	1/2
	007-211-371-02	3/4
	010-211-371-02	1
	015-211-371-02	1½
	020-211-371-02	2
3500 RPM Three Phase (ODP)	003-230-361-02	1/3
	005-230-361-02	1/2
	007-230-361-02	3/4
	010-230-361-02	1
	015-230-361-02	1½
	020-230-361-02	2
3500 RPM Single Phase (TENV / TEFC)	005-211-372-02	1/2
	007-211-372-02	3/4
	010-211-372-02	1
	015-211-372-02	1½
	020-211-372-02	2
	3500 RPM Three Phase (TENV / TEFC)	005-230-362-02
007-230-362-02		3/4
010-230-362D02		1
015-230-362D02		1½
020-230-362D02		2
030-230-362D02		3
TOTALLY ENCLOSED		
3500 RPM Single Phase (XP)	005-211-374-02	1/2
	007-211-374-02	3/4
	010-211-374-02	1
	015-211-374-02	1½
	020-211-374-02	2
	3500 RPM Three Phase (XP)	005-230-364-02
007-230-364-02		3/4
010-230-364-02		1
015-230-364-02		1½
020-230-364-02		2
030-230-364-02		3

SECTION CCCP
PAGE 4
DATE 3/18



A Crane Co. Company

PUMPS & SYSTEMS

USA: (937) 778-8947 • Canada: (905) 457-6223 • International: (937) 615-3598

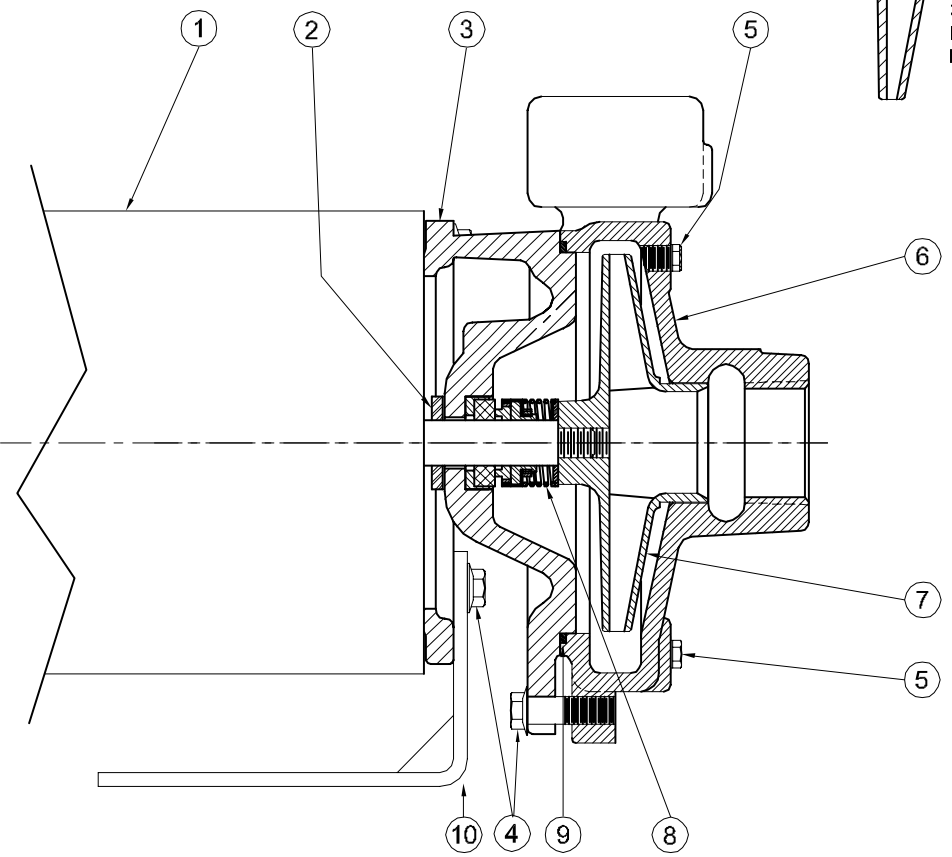
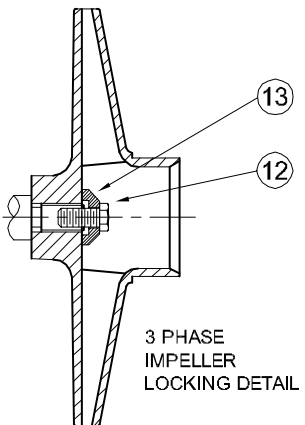
SYMBOL NUMBER	PART NUMBER	QTY	DESCRIPTION
DIFFERING PARTS FOR ALL BRONZE CONSTRUCTION			
3	22752-A	1	Adapter
5	01691-A	2	Plug 1/8"
6	23279-A	1	Casing
DIFFERING PARTS FOR ALL IRON CONSTRUCTION			
5	00158	2	Plug, 1/8-27 NPT
*7	09680-C Dia	1	Impeller
12	21181-A	1	Washer (3 Ph Only)

(*) Size suffixes same as standard bronze impellers.

(**) For hot water or Caustic service.

SYMBOL NUMBER	PART NUMBER	QTY	DESCRIPTION
2	08105	1	Slinger Washer
3	22752	1	Adapter
4	21236	8	Cap Screw, 3/8-16 x 1" Lg
5	00158	2	Pipe Plug 1/8"
6	23279	1	Casing
7	09680-3.00	1	Impeller, 3 & 33GA5-1
	09680-3.25	1	Impeller, 5 & 35GA5-1
	09680-3.75	1	Impeller, 7 & 37GA5-1
	09680-4.00	1	Impeller, 10 & 310GA5-1
	09680-4.25	1	Impeller, 15 & 315GA5-1
8	09680-4.97	1	Impeller, 20 & 320GA5-1
	08514	1	Mechanical Seal - Buna-N
	09762	1	Mechanical Seal - Viton
9	20764-C	1	Mechanical Seal - EPDM**
	21333	1	O-Ring - Buna-N
	21546	1	O-Ring - Viton
	22058	1	O-Ring - Teflon
10	22132	1	O-Ring - EPDM**
	22751	1	Bracket
11	21182	1	Machine Screw 1/4-28 UNFX x 1/2" (3 Ph Only)
12	21181-C	1	Washer (3 Ph Only)

Centrifugals - Close Coupled

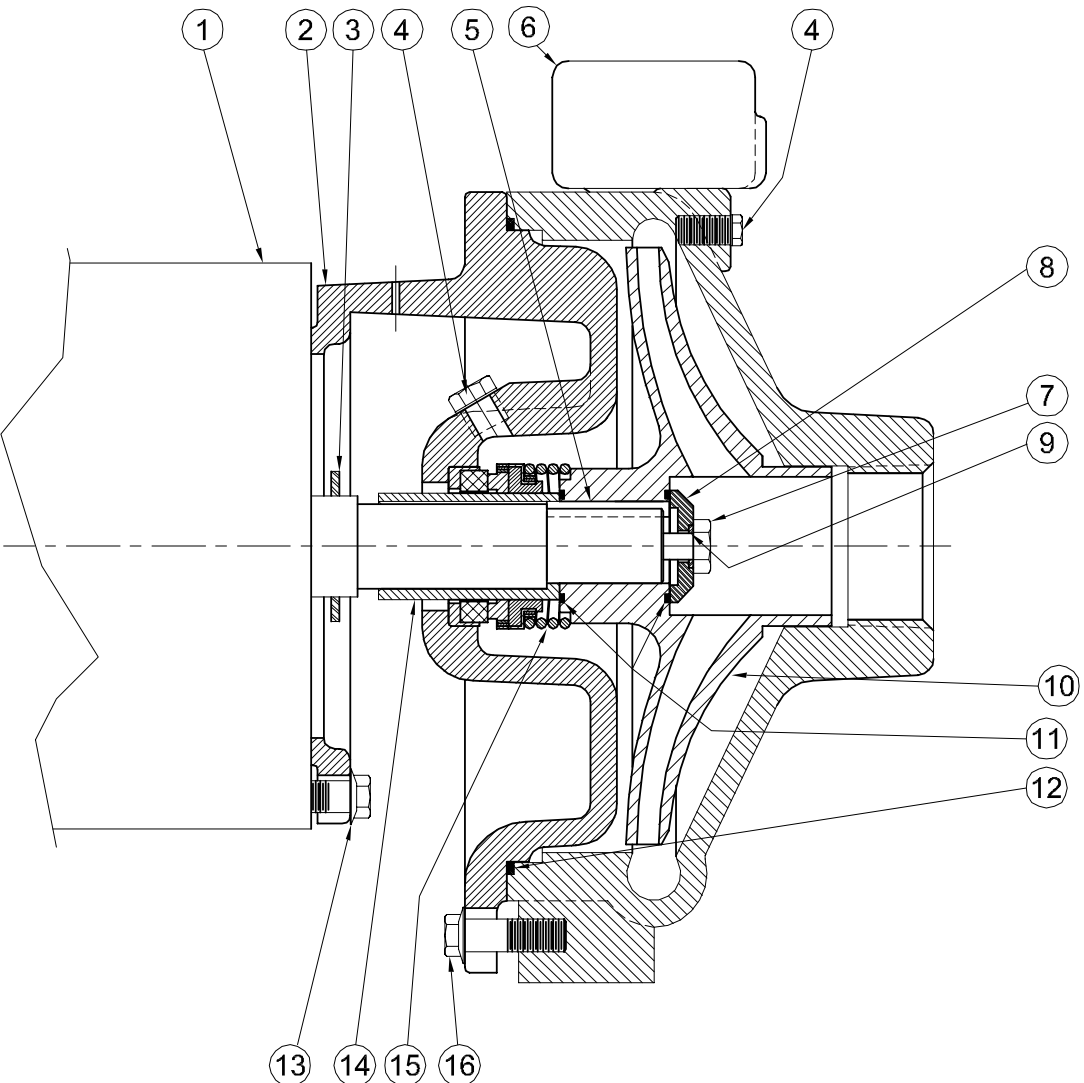


1 - MOTORS (All 56J Frame)			
RPM & PHASE	PART NUMBER	HP	
OPEN DRIP PROOF			
3500 RPM Single Phase (ODP)	003-211-371-02	1/3	
	005-211-371-02	1/2	
	007-211-371-02	3/4	
	010-211-371-02	1	
	015-211-371-02	1½	
	020-211-371-02	2	
3500 RPM Three Phase (ODP)	030-215-371-02	3	
	003-230-361-02	1/3	
	005-230-361-02	1/2	
	007-230-361-02	3/4	
	010-230-361-02	1	
	015-230-361-02	1½	
3500 RPM Three Phase (ODP)	020-230-361-02	2	
	030-230-361-02	3	
	TOTALLY ENCLOSED		
	3500 RPM Single Phase (TENV / TEFC)	005-211-372-02	1/2
		007-211-372-02	3/4
		010-211-372-02	1
015-211-372-02		1½	
3500 RPM Three Phase (TENV / TEFC)	020-211-372-02	2	
	005-230-362-02	1/2	
	007-230-362-02	3/4	
	010-230-362D02	1	
3500 RPM Three Phase (TENV / TEFC)	015-230-362D02	1½	
	020-230-362D02	2	
	030-230-362D02	3	
	EXPLOSION PROOF		
3500 RPM Single Phase (XP)	005-211-374-02	1/2	
	007-211-374-02	3/4	
	010-211-374-02	1	
	015-211-374-02	1½	
3500 RPM Three Phase (XP)	020-211-374-02	2	
	005-230-364-02	1/2	
	007-230-364-02	3/4	
	010-230-364-02	1	
3500 RPM Three Phase (XP)	015-230-364-02	1½	
	020-230-364-02	2	
	030-230-364-02	3	

SYMBOL NUMBER	PART NUMBER	QTY	DESCRIPTION
8	08514 09762 20764-C	1 1 1	Mechanical Seal - Buna-N Mechanical Seal - Viton Mechanical Seal - EPT**
9	GA5-1-1/4 SERIES		
	21333	1	O-Ring - Buna-N (Std)
	21546	1	O-Ring - Viton
	22058	1	O-Ring - Teflon
	22132	1	O-Ring - EPT**
	GA6-1-1/4 SERIES		
	22021	1	O-Ring - Buna-N (Std)
	22020	1	O-Ring - Viton
	22102	1	O-Ring - Teflon
	22133	1	O-Ring - EPT**
10	22751	1	Bracket
12	21182	1	Machine Screw 1/4-28 UNFX x 1/2"
13	21181-C	1	Washer - Bronze
DIFFERING PARTS FOR ALL BRONZE CONSTRUCTION			
3	22752-A	1	Adapter - Bronze - GA5-1¼AB
	22754-A	1	Adapter - Bronze - GA6-1¼AB
5	01691-A	2	Plug 1/8" Bronze
6	22766-A	1	Casing - Bronze - GA5 -1¼AB
	22767-A	1	Casing - Bronze - GA6-1¼AB
DIFFERING PARTS FOR ALL IRON CONSTRUCTION			
5	00158	2	Plug, 1/8-27 NPT
7	09680-C	1	Impeller - Iron*
13	21181-A	1	Washer - SS

(*) Size suffixes same as standard bronze impellers.
 (**) For hot water or Caustic service.

SYMBOL NUMBER	PART NUMBER	QTY	DESCRIPTION
2	08105	1	Slinger Washer
3	22752	1	Adapter - GA5-1-1/4
	22752-1	1	Tapped - GA5-1-1/4
	22754	1	Adapter - GA6-1-1/4
	22754-1	1	Tapped - GA6-1-1/4
4	21236	8	Cap Screw
5	00158	2	Pipe Plug - 1/8" Bronze
6	22766	1	Casing - GA5-1-1/4
	22766-1	1	Casing w/Flush Tap - GA5-1-1/4
	22767	1	Casing - GA6-1-1/4
	22767-1	1	Casing w/Flush Tap - GA6-1-1/4
7	09680-3.13	1	Impeller, Brass - 3GA5-1-1/4
	09680-3.44	1	Impeller, Brass - 5GA5-1-1/4
	09680-3.81	1	Impeller, Brass - 7GA5-1-1/4
	09680-4.13	1	Impeller, Brass - 10GA5-1-1/4
	09680-4.56	1	Impeller, Brass - 15GA5-1-1/4
	09680-4.88	1	Impeller, Brass - 20GA5-1-1/4
	09680-4.00	1	Impeller, Brass - 10GA6-1-1/4
	09680-4.63	1	Impeller, Brass - 15GA6-1-1/4
	09680-4.88	1	Impeller, Brass - 20GA6-1-1/4
	09680-5.50	1	Impeller, Brass - 30GA6-1-1/4
	21363-3.13	1	Impeller, Noryl - 3GA5N-1-1/4
	21363-3.47	1	Impeller, Noryl - 5GA5N-1-1/4
	21363-3.81	1	Impeller, Noryl - 7GA5N-1-1/4
	21363-4.06	1	Impeller, Noryl - 10GA5N-1-1/4
	21363-4.50	1	Impeller, Noryl - 15GA5N-1-1/4
	21363-4.97	1	Impeller, Noryl - 20GA5N-1-1/4
	21363-4.00	1	Impeller, Noryl - 10GA6N-1-1/4
	21363-4.63	1	Impeller, Noryl - 15GA6N-1-1/4
	21363-5.19	1	Impeller, Noryl - 20GA6N-1-1/4
	21363-5.66	1	Impeller, Noryl - 30GA6N-1-1/4
Stock Pump catalog numbers shown are for 1 phase units. Use same impellers for 3 phase units.			



1 - MOTORS			
RPM & PHASE	PART NUMBER	HP	FRAME SIZE
OPEN DRIP PROOF			
3500 RPM Single Phase (ODP)	09901	3	182JM
	09902	5	184JM
3500 RPM Three Phase (ODP)	09905	3	145JM
	09906	5	182JM
	09907	7½	184JM
	09999	10	213JM
TOTALLY ENCLOSED			
3500 RPM Single Phase (TEFC)	21881	3	182JM
	23990B	5	184JM
3500 RPM Three Phase (TEFC)	09947	3	182JM
	09950	5	184JM
	09951	7½	213JM
EXPLOSION PROOF			
3500 RPM Three Phase (XP)	09953	3	182JM
	09954	5	184JM

SYMBOL NUMBER	PART NUMBER	QTY	DESCRIPTION
13	21236	4	Cap Screw
14	22063-C	1	Shaft Sleeve - Bronze
15	09917	1	Mechanical Seal - Buna-N (Std)
	09926	1	Mechanical Seal - Viton
	21271	1	Mechanical Seal - EPDM**
16	22803	4	Cap Screw
DIFFERING PARTS FOR ALL BRONZE CONSTRUCTION			
2	22294-A	1	Adapter - Bronze
4	01691-A	2	Pipe Plug 1/8" Bronze
6	22293-A	1	Casing - Bronze
7	03289	1	Cap Screw - Bronze
DIFFERING PARTS FOR ALL IRON CONSTRUCTION			
4	00158	2	Pipe Plug 1/8" Steel
8	22105-A	1	Washer - Steel
10	Not Available	1	Impeller - Iron
14	22063-A	1	Shaft Sleeve - SS

(**) For hot water or Caustic service.

SYMBOL NUMBER	PART NUMBER	QTY	DESCRIPTION
2	22294 22845	1	Adapter - 180JM Frame Adapter - 213-215JM Frame
3	09918	1	Slinger Washer
4	00158	2	Pipe Plug - 1/8" Bronze
5	23014	1	Key
6	22293	1	Casing
7	1-529-1	1	Cap Screw - SS
8	22105-C	1	Washer - Bronze
9	22080 2-31005-012 22093	1 1 1	O-Ring Gaskey - Buna-N (Std) O-Ring Gasket - Viton O-Ring Gasket - EPDM**
10	22292-6.00 22292-6.75 22292-7.00	1 1 1	Impeller - 30GA7-1-1/4 & 330GA7-1-1/4 Impeller - 50GA7-1-1/4 & 350GA7-1-1/4 Impeller - 375GA7-1-1/4
11	22083 22084 22094	2 2 2	O-Ring Gasket - Buna-N (Std) O-Ring Gasket - Viton O-Ring Gasket - EPDM**
12	22321 22322 22324	1 1 1	O-Ring Gasket - Buna-N (Std) O-Ring Gasket - Viton O-Ring Gasket - EPDM**

CRANE[®]

PUMPS & SYSTEMS

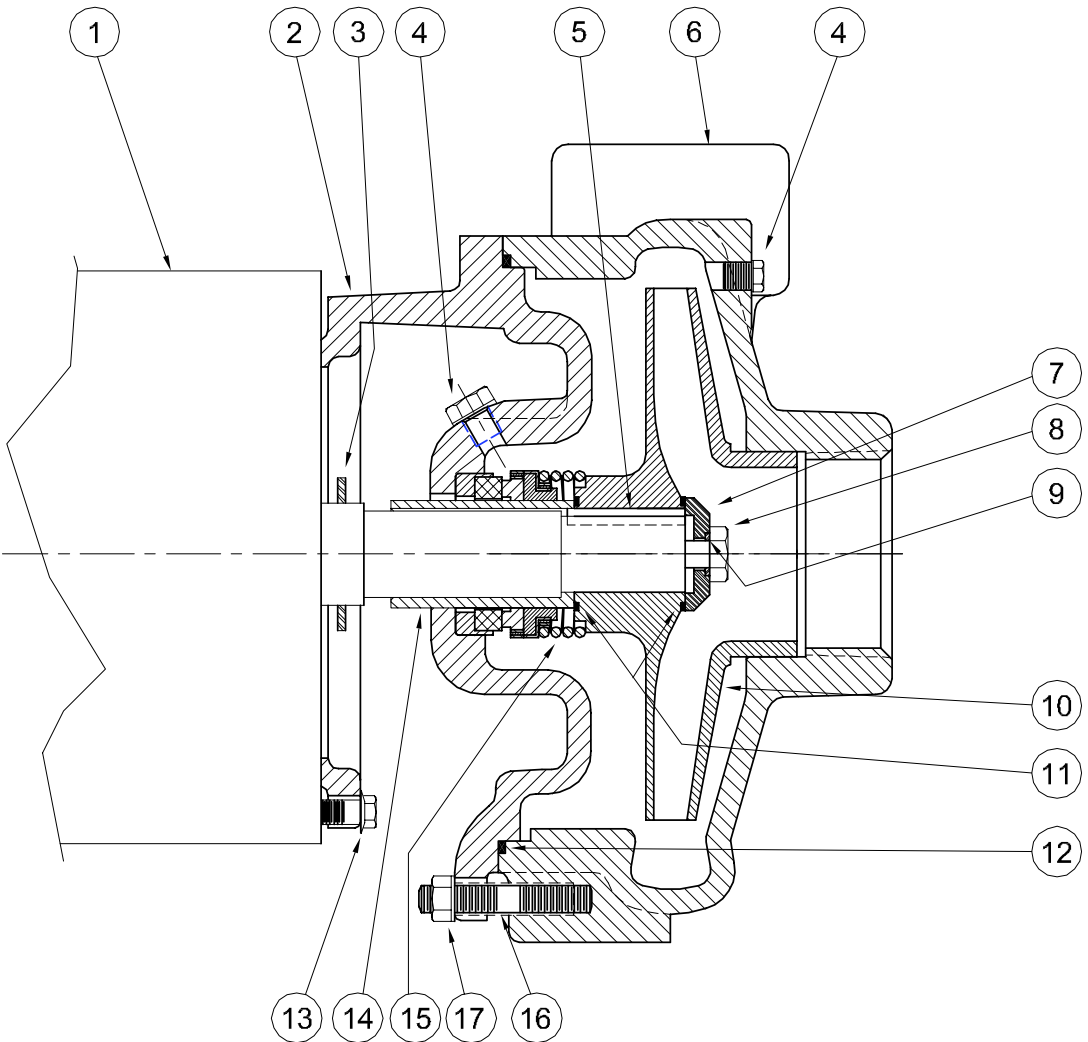
SECTION CCCP
PAGE 9
DATE 2/05

Series: GA6-1-1/2 & GA6-2

BURKKS®

www.craneumps.com

Centrifugals - Close Coupled



1 - MOTORS			
RPM & PHASE	PART NUMBER	HP	FRAME SIZE
OPEN DRIP PROOF			
1750 RPM Single Phase (ODP)	21393	1	143JM
	21394	1½	145JM
1750 RPM Three Phase (ODP)	21419	1	143JM
	21420	1½	145JM
3500 RPM Single Phase (ODP)	09899	1½	143JM
	09900	2	145JM
	09901	3	182JM
	09902	5	184JM
3500 RPM Three Phase (ODP)	09903	1½	143JM
	09904	2	145JM
	09905	3	145JM
	09906	5	182JM
	09907	7½	184JM
	TOTALLY ENCLOSED		
1750 RPM Single Phase (TEFC)	21399	1	143JM
	21400	1½	145JM
	21401	2	182JM
1750 RPM Three Phase (TEFC)	21426	1	143JM
	21427	1½	145JM
	21428	2	145JM
3500 RPM Single Phase (TEFC)	21880	2	145JM
	21881	3	182JM
	23990B	5	184JM
3500 RPM Three Phase (TEFC)	09948	2	145JM
	09947	3	182JM
	09950	5	184JM
	075-231-382-08	7½	184JM
EXPLOSION PROOF			
1750 RPM Three Phase (XP)	21433	1	143JM
	21434	1½	145JM
	21435	2	145JM
3500 RPM Three Phase (XP)	09952	2	145JM
	09953	3	182JM
	09954	5	184JM

SECTION
PAGE
DATE

CCCP
10
2/05



A Crane Co. Company

PUMPS & SYSTEMS

USA: (937) 778-8947 • Canada: (905) 457-6223 • International: (937) 615-3598

SYMBOL NUMBER	PART NUMBER	QTY	DESCRIPTION
13	21236	4	Cap Screw
14	22063-C	1	Shaft Sleeve - Bronze
15	09917	1	Mechanical Seal - Buna-N (Std)
	09926	1	Mechanical Seal - Viton
	21271	1	Mechanical Seal - EPDM**
16	23905	4	Stud
17	23906	4	Nut
DIFFERING PARTS FOR ALL BRONZE CONSTRUCTION			
2	22002-A	1	Adapter - Bronze
4	01691-A	2	Pipe Plug 1/8" Bronze
6	23910-A	1	Casing - Bronze - GA6-1-1/2
	23911-A	1	Casing - Bronze - GA6-2
8	03289	1	Cap Screw - Bronze
DIFFERING PARTS FOR ALL IRON CONSTRUCTION			
4	00158	2	Pipe Plug 1/8" Steel
7	22105-A	1	Washer - Steel
10	09928-A	1	Impeller - GA6-1-1/2*
	09929-A	1	Impeller - GA6-2*
14	22063-A	1	Shaft Sleeve - SS

(*) Size suffixes same as standard bronze impellers.

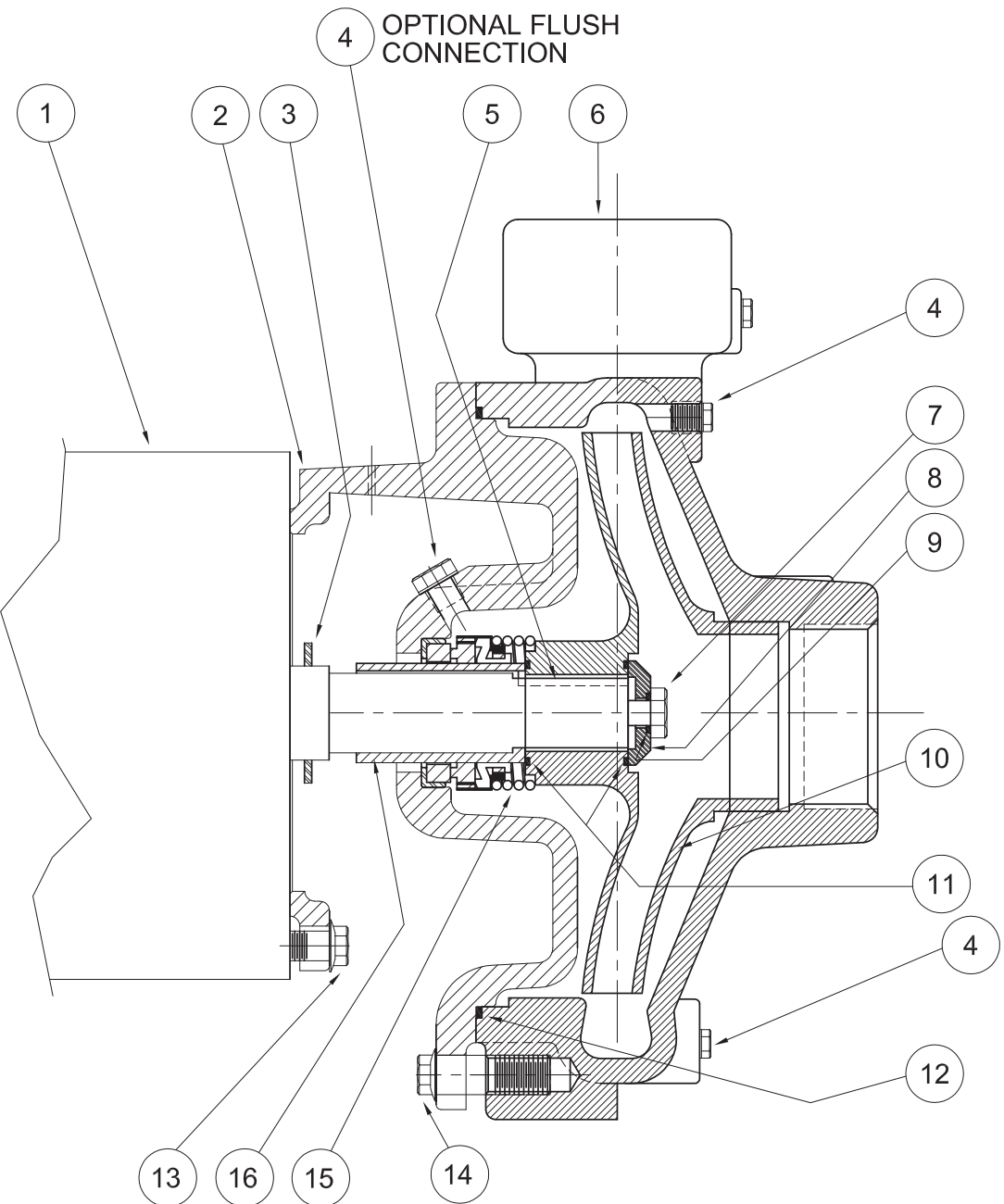
(**) For hot water or Caustic service.

SYMBOL NUMBER	PART NUMBER	QTY	DESCRIPTION
2	22002 22002-1	1 1	Adapter Adapter - Tapped
3	09918	1	Slinger Washer
4	00158	2	Pipe Plug - 1/8" Bronze
5	23014	1	Key
6	23910	1	Casing - GA6-1-1/2
	23911	1	Casing - GA-2
7	22105-C	1	Washer - Bronze
8	1-529-1	1	Cap Screw - SS
9	22080	1	O-Ring Gaskey - Buna-N (Std)
	2-31005-012	1	O-Ring Gasket - Viton
	22093	1	O-Ring Gasket - EPDM**
	22082	1	O-Ring Gasket - Teflon
1750 RPM			
	09928-6.13	1	Impeller - 104GA6-1-1/2 & 3104GA6-1-1/2
	09929-5.94	1	Impeller - 104GA6-2 & 3104GA6-2
	09929-6.25	1	Impeller - 154GA6-2 & 3154GA6-2
3500 RPM			
10	09928-4.00	1	Impeller - 15GA6-1-1/2 & 315GA6-1-1/2
	09928-4.38	1	Impeller - 20GA6-1-1/2 & 320GA6-1-1/2
	09928-5.00	1	Impeller - 30GA6-1-1/2 & 330GA6-1-1/2
	09928-5.69	1	Impeller - 50GA6-1-1/2 & 350GA6-1-1/2
	09928-6.25	1	Impeller - 375GA6-1-1/2
	09929-4.38	1	Impeller - 30GA6-2 & 330GA6-2
	09929-5.13	1	Impeller - 50GA6-2 & 350GA6-2
	09929-5.88	1	Impeller - 375GA6-2
11	22083	2	O-Ring Gasket - Buna-N (Std)
	22084	2	O-Ring Gasket - Viton
	22094	2	O-Ring Gasket - EPDM**
	22085	2	O-Ring Gasket - Teflon
12	2-31003-166	1	O-Ring Gasket - Buna-N (Std)
	2-31005-166	1	O-Ring Gasket - Viton
	22098	1	O-Ring Gasket - EPDM**
	22097	1	O-Ring Gasket - Teflon

CRANE

PUMPS & SYSTEMS

1 - MOTORS			
RPM & PHASE	PART NUMBER	HP	FRAME SIZE
OPEN DRIP PROOF			
1750 RPM Single Phase (ODP)	21393	1	143JM
	21394	1½	145JM
1750 RPM Three Phase (ODP)	21419	1	143JM
	21420	1½	145JM
3500 RPM Single Phase (ODP)	09902	5	184JM
	21850	7½	213JM
3500 RPM Three Phase (ODP)	09906	5	182JM
	09907	7½	184JM
	09999	10	213JM
TOTALLY ENCLOSED			
1750 RPM Single Phase (TEFC)	21399	1	143JM
	21400	1½	145JM
1750 RPM Three Phase (TEFC)	21426	1	143JM
	21427	1½	145JM
3500 RPM Single Phase (TEFC)	22283	5	213JM
	23442	7½	215JM
3500 RPM Three Phase (TEFC)	09950	5	184JM
	09951	7½	213JM
	20000	10	215JM
EXPLOSION PROOF			
1750 RPM Three Phase (XP)	21433	1	143JM
	21434	1½	145JM
3500 RPM Three Phase (XP)	09954	5	184JM
	09955	7½	213JM
	20001	10	215JM



SYMBOL NUMBER	PART NUMBER	QTY	DESCRIPTION
13	21236	4	Cap Screw - 143-184JM Motors
14	22803	4	Cap Screw - 213-215JM Motors
	22803	4	Cap Screw
15	09917	1	Mechanical Seal - Buna-N (Std)
	09926	1	Mechanical Seal - Viton
	21271	1	Mechanical Seal - EPDM**
16	22063-C	1	Shaft Sleeve - Bronze
DIFFERING PARTS FOR ALL BRONZE CONSTRUCTION			
2	22294-A	1	Adapter - Bronze - 143-184JM Motors
	22845-A	1	Adapter - Bronze - 213-215JM Motors
4	01691-A	3	Pipe Plug 1/8" Bronze
6	22842-A	1	Casing - Bronze
7	03289	1	Cap Screw - Bronze
DIFFERING PARTS FOR ALL IRON CONSTRUCTION			
2	00158	3	Pipe Plug 1/8" Steel
8	22105-A	1	Washer - Steel
10	Not Available	1	Impeller
16	22063-A	1	Shaft Sleeve - SS

(**) For hot water or Caustic service.

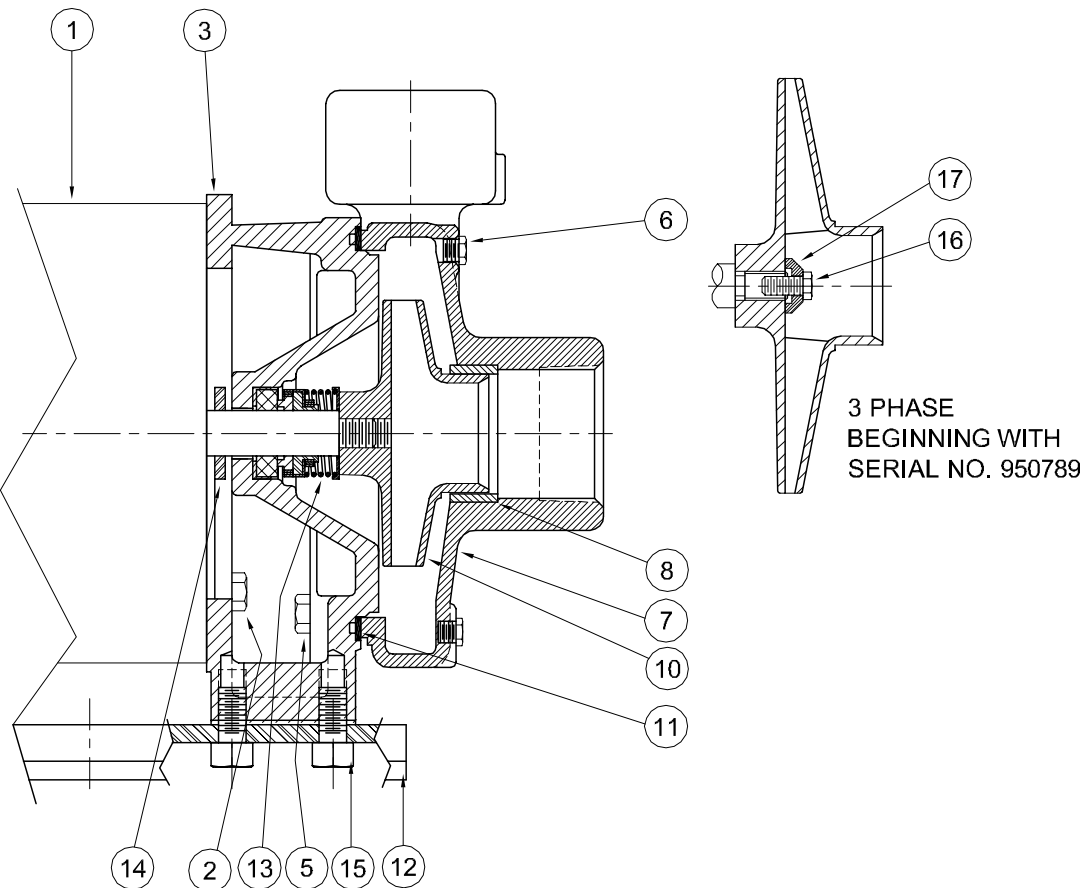
SYMBOL NUMBER	PART NUMBER	QTY	DESCRIPTION
2	22294	1	Adapter - 143-184JM Motors
	22845	1	Adapter - 213-215JM Motors
3	09918	1	Slinger Washer
4	00158	2	Pipe Plug - 1/8" Steel, Zinc Plated
5	23014	1	Key
6	22842	1	Casing
7	1-529-1	1	Cap Screw - SS
8	22105-C	1	Washer - Bronze
9	22080	1	O-Ring Gasket - Buna-N (Std)
	2-31005-012	1	O-Ring Gasket - Viton
	22093	1	O-Ring Gasket - EPDM**
10	1750 RPM		
	22841-6.63	1	Impeller - 104GA7-1-1/2 & 3104GA7-1-1/2
	22841-7.06	1	Impeller - 154GA7-1-1/2 & 3154GA7-1-1/2
	3500 RPM		
	22841-5.75	1	Impeller - 50GA7-1-1/2 & 350GA7-1-1/2
	22841-6.63	1	Impeller - 75GA7-1-1/2 & 375GA7-1-1/2
	22841-7.06	1	Impeller - 3100GA7-1-1/2
11	22083	2	O-Ring Gasket - Buna-N (Std)
	22084	2	O-Ring Gasket - Viton
	22094	2	O-Ring Gasket - EPDM**
12	22321	1	O-Ring Gasket - Buna-N (Std)
	22322	1	O-Ring Gasket - Viton
	22324	1	O-Ring Gasket - EPDM**

CRANE®

PUMPS & SYSTEMS

SECTION CCCP
PAGE 13
DATE 1/17

Centrifugals - Close Coupled



1 - MOTORS (All 56J Frame)		
RPM & PHASE	PART NUMBER	HP
OPEN DRIP PROOF		
3500 RPM Single Phase (ODP)	003-211-371-02	1/3
	005-211-371-02	1/2
	007-211-371-02	3/4
	010-211-371-02	1
	015-211-371-02	1½
	020-211-371-02	2
3500 RPM Three Phase (ODP)	003-230-361-02	1/3
	005-230-361-02	1/2
	007-230-361-02	3/4
	010-230-361-02	1
	015-230-361-02	1½
	020-230-361-02	2
3500 RPM Single Phase (TENV / TEFC)	005-211-372-02	1/2
	007-211-372-02	3/4
	010-211-372-02	1
	015-211-372-02	1½
	020-211-372-02	2
	3500 RPM Three Phase (TENV / TEFC)	005-230-362-02
007-230-362-02		3/4
010-230-362D02		1
015-230-362D02		1½
020-230-362D02		2
030-230-362D02		3
TOTALLY ENCLOSED		
3500 RPM Single Phase (XP)	005-211-374-02	1/2
	007-211-374-02	3/4
	010-211-374-02	1
	015-211-374-02	1½
	020-211-374-02	2
	3500 RPM Three Phase (XP)	005-230-364-02
007-230-364-02		3/4
010-230-364-02		1
015-230-364-02		1½
020-230-364-02		2
030-230-364-02		3

SYMBOL NUMBER	PART NUMBER	QTY	DESCRIPTION
DIFFERING PARTS FOR ALL BRONZE CONSTRUCTION			
2	03122-A	4	Cap Screw
3	09630-A	1	Adapter - Bronze - G5-1-1/4
	09657-A	1	Adapter - Bronze - G6-1-1/4
5	03288	4	Cap Screw
* 7	22148-A	1	Casing Assy - G5-1-1/4AB
	22149-A	1	Casing Assy - G6-1-1/4AB
15	03289	2	Cap Screw & 20056 Washer
DIFFERING PARTS FOR ALL IRON CONSTRUCTION			
6	00158	5	Pipe Plug 1/8"
7	22148-B	1	Casing Assy - G5-1-1/4AI
	22149-B	1	Casing Assy - G6-1-1/4AI
8	09632-C	1	Wear Ring
10	09680-C-3.25	1	Impeller - 3G5-1-1/4AI
	09680-C-3.63	1	Impeller - 5G5-1-1/4AI
	09680-C-4.00	1	Impeller - 7G5-1-1/4AI
	09680-C-4.25	1	Impeller - 10G5-1-1/4AI
	09680-C-4.75	1	Impeller - 15G5-1-1/4AI
	09680-C-4.97	1	Impeller - 20G5-1-1/4AI
	09680-C-4.25	1	Impeller - 10G6-1-1/4AI
	09680-C-4.75	1	Impeller - 15G6-1-1/4AI
	09680-C-5.13	1	Impeller - 20G6-1-1/4AI
	09680-C-5.66	1	Impeller - 30G6-1-1/4AI
Stock pump Catalog Number shown are for 1 phase units. Use same impellers for 3 phase units.			
17	21181-A	1	Washer - SS
DIFFERING PARTS FOR G5-1-1/4SS CONSTRUCTION			
3	09630-B	1	Adapter
5	04235-A	4	Cap Screw SS
6	01691-B	5	Pipe Plug - 1/8" SS
7	09633-B	1	Casing Assy
10	09680-B-3.25	1	Impeller - 3G5-1-1/4SS
	09680-B-3.63	1	Impeller - 5G5-1-1/4SS
	09680-B-4.00	1	Impeller - 7G5-1-1/4SS
	09680-B-4.25	1	Impeller - 10G5-1-1/4SS
	09680-B-4.75	1	Impeller - 15G5-1-1/4SS
	09680-B-4.97	1	Impeller - 20G5-1-1/4SS
11	23023	1	O-Ring Gasket - Buna N (Std)
	21021	1	O-Ring Gasket - Viton
	23024	1	O-Ring Gasket - EPT**
	21181-A	1	Washer - SS

(*) Includes Symbol 6 & 8

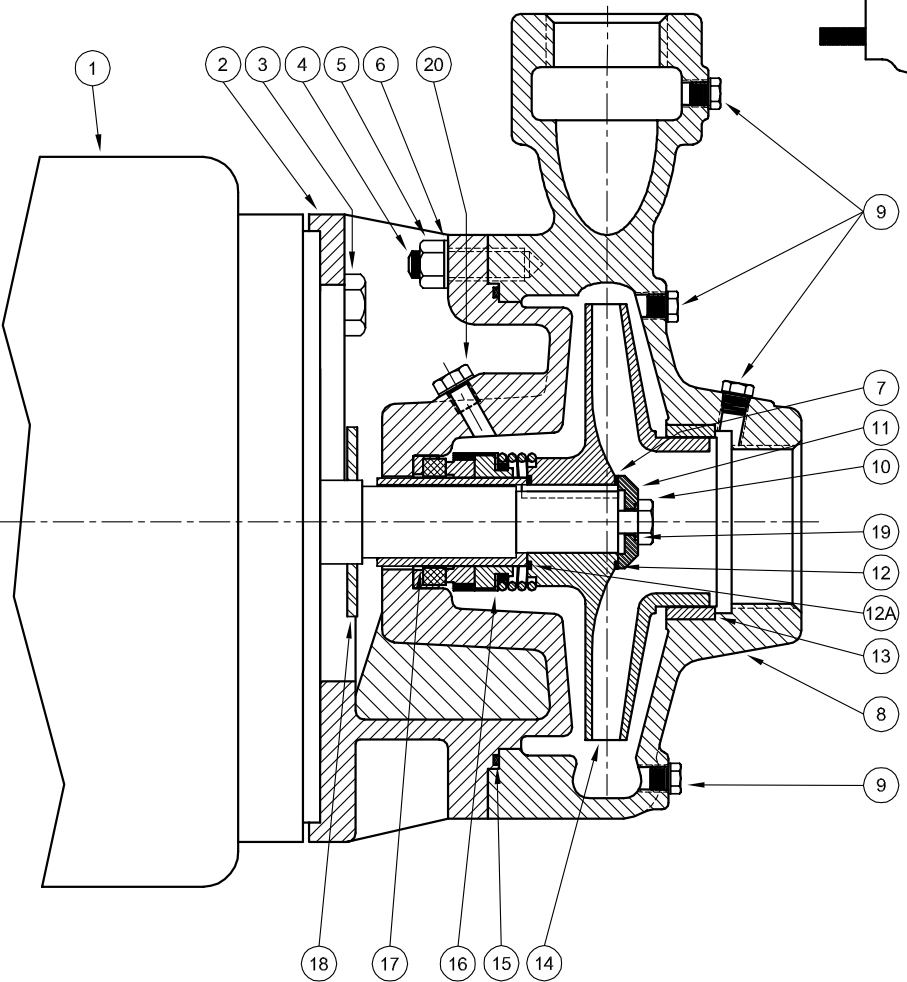
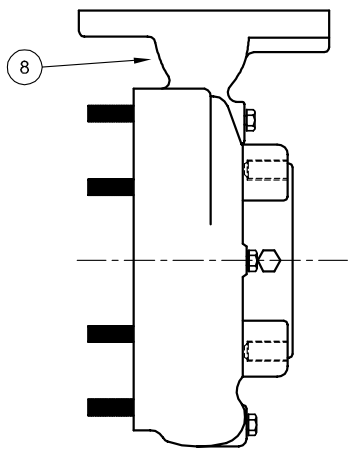
(**) For hot water or Caustic service.

(+) G5-1-1/4 and G6-1-1/4 Series pumps have been manufactured with either a flat or O-ring type gasket. Determine which type is required before ordering. When in doubt, order flat gasket.

SYMBOL NUMBER	PART NUMBER	QTY	DESCRIPTION
2	03122	4	Cap Screw
3	09630	1	Adapter - G5-1-1/4
	09630-C	1	Adapter w/Flush Tap - G5-1-1/4
	09657	1	Adapter - G6-1-1/4
	09657-2	1	Adapter w/Flush Tap - G6-1-1/4
5	04235	4	Cap Screw, 3/8" x 1-1/4" Lg
6	01691-A	5	Pipe Plug, 1/8" Brass
* 7	22148	1	Casing Assy - G5-1-1/4
	22149	1	Casing Assy - G6-1-1/4
8	09632-D	1	Wear Ring
10	09680-3.25	1	Impeller - 3G5-1-1/4
	09680-3.63	1	Impeller - 5G5-1-1/4
	09680-4.00	1	Impeller - 7G5-1-1/4
	09680-4.25	1	Impeller - 10G5-1-1/4
	09680-4.75	1	Impeller - 15G5-1-1/4
	09680-4.97	1	Impeller - 20G5-1-1/4
	09680-4.25	1	Impeller - 10G6-1-1/4
	09680-4.75	1	Impeller - 15G6-1-1/4
	09680-5.13	1	Impeller - 20G6-1-1/4
	09680-5.66	1	Impeller - 30G6-1-1/4
Stock pump Catalog Number shown are for 1 phase units. Use same impellers for 3 phase units.			
+11	09634	1	Flat Gasket - G5-1-1/4
	08507	1	Flat Gasket - G6-1-1/4
	G5-1-1/4 Series		
	21333	1	O-Ring Gasket - Buna N (Std)
	21546	1	O-Ring Gasket - Viton
	22132	1	O-Ring Gasket - EPT**
	22058	1	O-Ring Gasket - Teflon
	G6-1-1/4 Series		
	22021	1	O-Ring Gasket - Buna N (Std)
	22020	1	O-Ring Gasket - Viton
22133	1	O-Ring Gasket - EPT**	
22102	1	O-Ring Gasket - Teflon	
12	08827	1	Base
13	08514	1	Mechanical Seal - Buna N (Std)
	09762	1	Mechanical Seal - Viton
	20764-C	1	Mechanical Seal - EPT**
	08105	1	Slinger Washer
15	01928	2	Cap Screw & 03503 Washer
16	21182	1	Screw
17	21181-C	1	Washer - Bronze

Centrifugals - Close Coupled

FLANGED CASING ASSEMBLY



1 - MOTORS			
RPM & PHASE	PART NUMBER	HP	FRAME SIZE
OPEN DRIP PROOF			
1750 RPM Single Phase (ODP)	21393	1	143JM
	21394	1½	145JM
1750 RPM Three Phase (ODP)	21419	1	143JM
	21420	1½	145JM
3500 RPM Single Phase (ODP)	09899	1½	143JM
	09900	2	145JM
	09901	3	182JM
	09902	5	184JM
3500 RPM Three Phase (ODP)	09903	1½	143JM
	09904	2	145JM
	09905	3	145JM
	09906	5	182JM
	09907	7½	184JM
	09999	10	213JM
	TOTALLY ENCLOSED		
1750 RPM Single Phase (TEFC)	21399	1	143JM
	21400	1½	145JM
	21401	2	182JM
1750 RPM Three Phase (TEFC)	21426	1	143JM
	21427	1½	145JM
	21428	2	145JM
3500 RPM Single Phase (TEFC)	21880	2	145JM
	21881	3	182JM
	22283	5	213JM
	3500 RPM Three Phase (TEFC)	09948	2
09947		3	182JM
09950		5	184JM
09951		7½	213JM
20000		10	215JM
EXPLOSION PROOF			
1750 RPM Three Phase (XP)	21433	1	143JM
	21434	1½	145JM
	21435	2	145JM
	21436	3	182JM
	21437	5	184JM
	21438	7½	213JM
3500 RPM Three Phase (XP)	09952	2	145JM
	09953	3	182JM
	09954	5	184JM
	09955	7½	213JM
	20001	10	215JM

SYMBOL NUMBER	PART NUMBER	QTY	DESCRIPTION
17	22063-C	1	Shaft Sleeve - Bronze
18	09918	1	Slinger Washer
19	22080	1	O-Ring Gasket - Buna N (Std)
	2-31005-012	1	O-Ring Gasket - Viton
	22093	1	O-Ring Gasket - EPT**
	22082	1	O-Ring Gasket - Teflon
20	04236	1	Pipe Plug, 1/4" - Bronze
DIFFERING PARTS FOR ALL BRONZE CONSTRUCTION			
2	09912-B	1	Adapter - 143-184JM Motors
	09920-B	1	Adapter - 213-215JM Motors
3	03289	4	Cap Screw - for 09912-B Adapter
	01638-B	4	Cap Screw - for 09920-B Adapter
5	05536	8	Nut
	01609-B	8	Washer
8	22150-A	1	Casing Assy - G6-1-1/2
	22151-A	1	Casing Assy - G6-2
10	22269-A	1	Casing Assy - G6-2F (Flanged)
	03289	1	Screw, Impeller Lock - Bronze
DIFFERING PARTS FOR ALL IRON CONSTRUCTION			
*8	22150-B	1	Casing Assy - G6-1-1/2
	22151-B	1	Casing Assy - G6-2
	22269-B	1	Casing Assy - G6-2F (Flanged)
9	00158	6	Pipe Plug
	22105-A	1	Washer - Steel
13	09915-A	1	Wear Ring - G6-1-1/2
	09923-A	1	Wear Ring - G6-2
14	09928-A	1	Impeller - G6-1-1/2
	09929-A	1	Impeller - G6-2
Use same size suffixes as bronze.			
17	22063-A	1	Shaft Sleeve - SS
	04236-A	1	Pipe Plug, 1/4" - SS

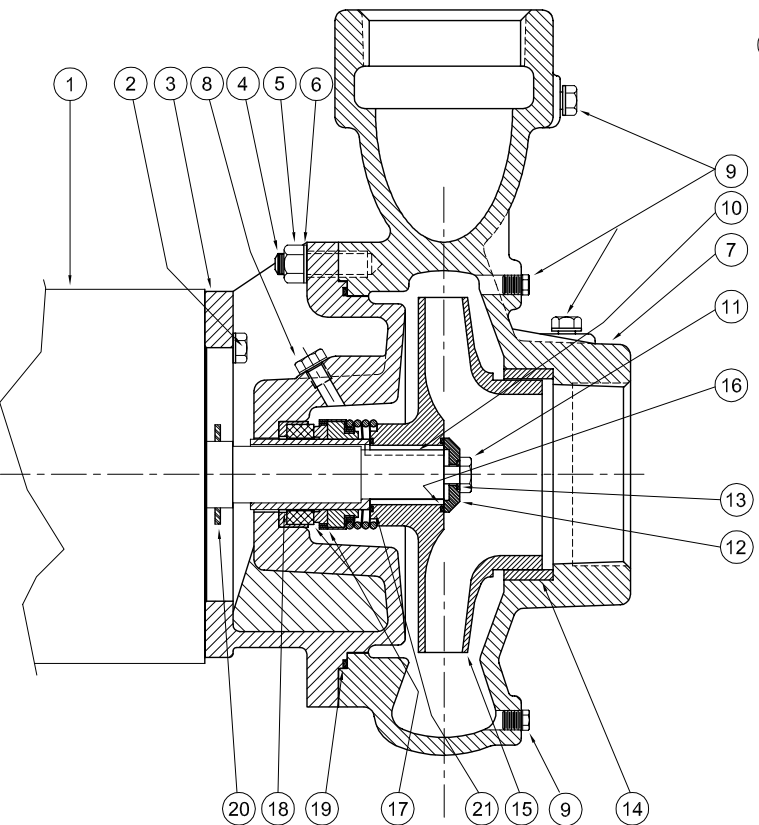
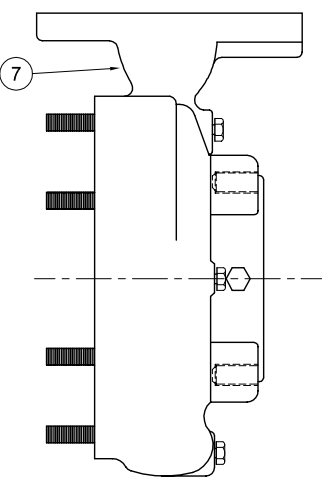
(*) Casing Assy. Includes Symbols 4, 9 & 13.

(**) For hot water or Caustic service.

(+) G6-1½ and G6-2 Series pumps have been manufactured with either a flat or O-ring type gasket. Determine which type is required before ordering. When in doubt, order flat gasket.

SYMBOL NUMBER	PART NUMBER	QTY	DESCRIPTION
2	09912	1	Adapter - 143-184JM Motors
	09920	1	Adapter - 213-215JM Motors
3	01928	4	Cap Screw - for 09912 Adapter
	1-67-6	4	Cap Screw - for 09920 Adapter
4	03075	8	Stud
5	15-23-6	8	Nut
6	01609-A	8	Washer
7	23014	1	Key
*8	22150	1	Casing Assy - G6-1-1/2
	22151	1	Casing Assy - G6-2
	22269	1	Casing Assy - G6-2F (Flanged)
9	01691-A	6	Pipe Plug, 1/8" - Bronze
	1-529-1	1	Screw, Impeller Lock - SS
10	22105-C	1	Washer - Bronze
12	09933	1	Flat Gasket +
	22083	2	O-Ring Gasket - Buna N (Std)
	22084	2	O-Ring Gasket - Viton
	22094	2	O-Ring Gasket - EPT**
	22085	2	O-Ring Gasket - Teflon
12A	09911	1	Flat Gasket+
	For O-Ring Gasket, see symbol 12		
13	09915	1	Wear Ring, Bronze - G6-1-1/2
	09923-E	1	Wear Ring, Bronze - G6-2
1750 RPM			
14	09928-6.25	1	Impeller - 104G6-1-1/2 & 3104G6-1-1/2
	09929-6.19	1	Impeller - 104G6-2 & 3104G6-2
	09929-6.25	1	Impeller - 154G6-2 & 3154G6-2
3450 RPM			
14	09928-4.38	1	Impeller - 15G6-1-1/2 & 315G6-1-1/2
	09928-4.63	1	Impeller - 20G6-1-1/2 & 320G6-1-1/2
	09928-5.06	1	Impeller - 30G6-1-1/2 & 330G6-1-1/2
	09928-5.88	1	Impeller - 50G6-1-1/2 & 350G6-1-1/2
	09928-6.25	1	Impeller - 375G6-1-1/2
	09929-4.13	1	Impeller - 20G6-2 & 320G6-2
	09929-4.75	1	Impeller - 30G6-2 & 330G6-2
	09929-5.38	1	Impeller - 50G6-2 & 350G6-2
	09929-6.06	1	Impeller - 375G6-2
	09929-6.25	1	Impeller - 3100G6-2
15	09916	1	Flat Gasket +
	22099	1	O-Ring Gasket - Buna N (Std)
	23000	1	O-Ring Gasket - Viton
	23001	1	O-Ring Gasket - EPT**
	23002	1	O-Ring Gasket - Teflon
16	09917	1	Mechanical Seal - Buna-N (Std)
	09926	1	Mechanical Seal - Viton
	21271	1	Mechanical Seal - EPT**

FLANGED CASING ASSEMBLY



1 - MOTORS			
RPM & PHASE	PART NUMBER	HP	FRAME SIZE
OPEN DRIP PROOF			
1750 RPM Single Phase (ODP)	21393	1	143JM
	21394	1½	145JM
	21395	2	182JM
1750 RPM Three Phase (ODP)	21419	1	143JM
	21420	1½	145JM
	21421	2	145JM
3500 RPM Three Phase (ODP)	09907	7½	184JM
	09999	10	213JM
	20002	15	215JM
	21169	20	254JM
TOTALLY ENCLOSED			
1750 RPM Single Phase (TEFC)	21399	1	143JM
	21400	1½	145JM
	21401	2	182JM
	21402	3	184JM
1750 RPM Three Phase (TEFC)	21426	1	143JM
	21427	1½	145JM
	21428	2	145JM
	21429	3	182JM
3500 RPM Three Phase (TEFC)	09951	7½	213JM
	20000	10	215JM
	20003	15	254JM
	21195	20	256JM
EXPLOSION PROOF			
1750 RPM Three Phase (XP)	21433	1	143JM
	21434	1½	145JM
	21435	2	145JM
	21436	3	182JM
3500 RPM Three Phase (XP)	09955	7½	213JM
	20001	10	215JM
	20004	15	254JM
	21196	20	256JM

SYMBOL NUMBER	PART NUMBER	QTY	DESCRIPTION
PUMPS with 143-215JM Motors			
+16	09933	1	Flat Gasket +
	22083	1	O-Ring Gasket - Buna N (Std)
	22084	1	O-Ring Gasket - Viton
	22094	1	O-Ring Gasket - EPT**
	22085	1	O-Ring Gasket - Teflon
PUMPS with 254-256JM Motors			
+17	21090	1	Flat Gasket +
	22140	1	O-Ring Gasket - Buna N (Std)
	22141	1	O-Ring Gasket - Viton
	22143	1	O-Ring Gasket - EPT**
	22142	1	O-Ring Gasket - Teflon
PUMPS with 143-215JM Motors			
18	09917	1	Mechanical Seal - Buna-N (Std)
	09926	1	Mechanical Seal - Viton
	21271	1	Mechanical Seal - EPT**
PUMPS with 254-256JM Motors			
+19	21136	1	Mechanical Seal - Buna-N (Std)
	21189	1	Mechanical Seal - Viton
	21721	1	Mechanical Seal - EPT**
20	22063-C	1	Shaft Sleeve - Bronze - 143-215JM Motors
	22066	1	Shaft Sleeve - Bronze - 254-256JM Motors
+21	09916	1	Flat Gasket +
	22099	1	O-Ring Gasket - Buna N (Std)
	23000	1	O-Ring Gasket - Viton
	23001	1	O-Ring Gasket - EPT**
20	23002	1	O-Ring Gasket - Teflon
	09918	1	Slinger Washer - 143-215JM Motors
20	21093	1	Slinger Washer - 254-256JM Motors
	PUMPS with 143-215JM Motors		
+21	09911	1	Flat Gasket +
	22083	1	O-Ring Gasket - Buna N (Std)
	22084	1	O-Ring Gasket - Viton
	22094	1	O-Ring Gasket - EPT**
	22085	1	O-Ring Gasket - Teflon
PUMPS with 254-256JM Motors			
+21	21092	1	Flat Gasket +
	22089	1	O-Ring Gasket - Buna N (Std)
	22090	1	O-Ring Gasket - Viton
	22096	1	O-Ring Gasket - EPT**
	22091	1	O-Ring Gasket - Teflon

"CONTINUED ON NEXT PAGE"

SYMBOL NUMBER	PART NUMBER	QTY	DESCRIPTION
2	01928	4	Cap Screw - for 09912 Adapter
	1-67-6	4	Cap Screw - for 09920 & 21345 Adapter
3	09912	1	Adapter - 143-184JM Motors
	09920	1	Adapter - 213-215JM Motors
	21345	1	Adapter - 254-256 JM Motors
4	03075	8	Stud
	15-23-6	8	Nut
5	01609-A	8	Washer
	*7 22152	1	Casing Assy
6	22270	1	Casing Assy (Flanged)
	04236	1	Pipe Plug - 1/4" Bronze
9	01691-A	6	Pipe Plug, 1/8" - Bronze
	23014	1	Key - 143-215JM Mptors
10	22107	1	Key - 254-256JM Motors
	1-529-1	1	Cap Screw, SS - 143-215JM Motors
11	1-68-1	1	Cap Screw, SS - 254-256JM Motors
	22105-C	1	Washer, Bronze - 143-215JM Motors
12	22106	1	Washer, Bronze - 254-256JM Motors
	PUMPS with 143-215JM Motors		
13	22080	1	O-Ring Gasket - Buna N (Std)
	2-31005-012	1	O-Ring Gasket - Viton
	22093	1	O-Ring Gasket - EPT**
	22082	1	O-Ring Gasket - Teflon
PUMPS with 254-256JM Motors			
13	22086	1	O-Ring Gasket - Buna N (Std)
	22087	1	O-Ring Gasket - Viton
	22095	1	O-Ring Gasket - EPT**
	22088	1	O-Ring Gasket - Teflon
14	20680	1	Wear Ring - Bronze
	1750 RPM		
15	20678-5.25	1	Impeller - 104G6-2-1/2 & 3104G6-2-1/2
	20678-5.75	1	Impeller - 154G6-2-1/2 & 3154G6-2-1/2
	20678-6.31	1	Impeller - 204G6-2-1/2 & 3204G6-2-1/2
3450 RPM			
15	20678-5.13	1	Impeller - 375G6-2-1/2
	20678-5.50	1	Impeller - 3100G6-2-1/2
	20678-6.31	1	Impeller - 3150G6-2-1/2
	20678-1-6.31	1	Impeller - 3200G6-2-1/2

(*) Casing Assy. Includes Symbols 4, 9 & 14.

(**) For hot water or Caustic service.

(+) Series G6-2-1/2 pumps have been manufactured with either a flat or O-ring type gasket. Determine which type is required before ordering. When in doubt, order flat gasket.

Centrifugals - Close Coupled

SYMBOL NUMBER	PART NUMBER	QTY	DESCRIPTION
DIFFERING PARTS FOR ALL BRONZE CONSTRUCTION			
3	09912-B	1	Adapter - 143-184JM Motors
	09920-B	1	Adapter - 213-215JM Motors
	21345-A	1	Adapter - 254-256 JM Motors
*7	22152-A	1	Casing Assy
	22270-A	1	Casing Assy (Flanged)
11	03289	1	Cap Screw, Bronze - 143-215JM Motors
	01638-B	1	Cap Screw, Bronze - 254-256JM Motors
DIFFERING PARTS FOR ALL IRON CONSTRUCTION			
2	03289	4	Cap Screw - for 09912-B Adapter
	01638-B	4	Cap Screw - for 09920-B & 21345-A Adapter
5	05536	8	Nut
6	01609-B	8	Washer
*7	22152-B	1	Casing Assy
	22270-B	1	Casing Assy (Flanged)
8	04236-A	1	Pipe Plug 1/4" SS
9	00158	6	Pipe Plug 1/8" Steel
	22105-A	1	Washer - Steel - 143-215JM Motors
12	22106-A	1	Washer - Steel - 254-256JM Motors
14	20680-A	1	Wear Ring - G6-1-1/2
	20678-A	1	Impeller - 143-215JM Motors
15	20678-A-1	1	Impeller - 254-256JM Motors
			Impeller size suffixes same as standard bronze impellers.
18	22063-A	1	Shaft Sleeve - SS - 143-215JM Motors
	22066-A	1	Shaft Sleeve - SS - 254-256JM Motors

(*) Casing Assy. Includes Symbols 4, 9 & 14.

(**) For hot water or Caustic service.

(+) Series G6-2-1/2 pumps have been manufactured with either a flat or O-ring type gasket. Determine which type is required before ordering. When in doubt, order flat gasket.

SECTION
PAGE
DATE

CCCP
20
2/05

CRANE®

A Crane Co. Company

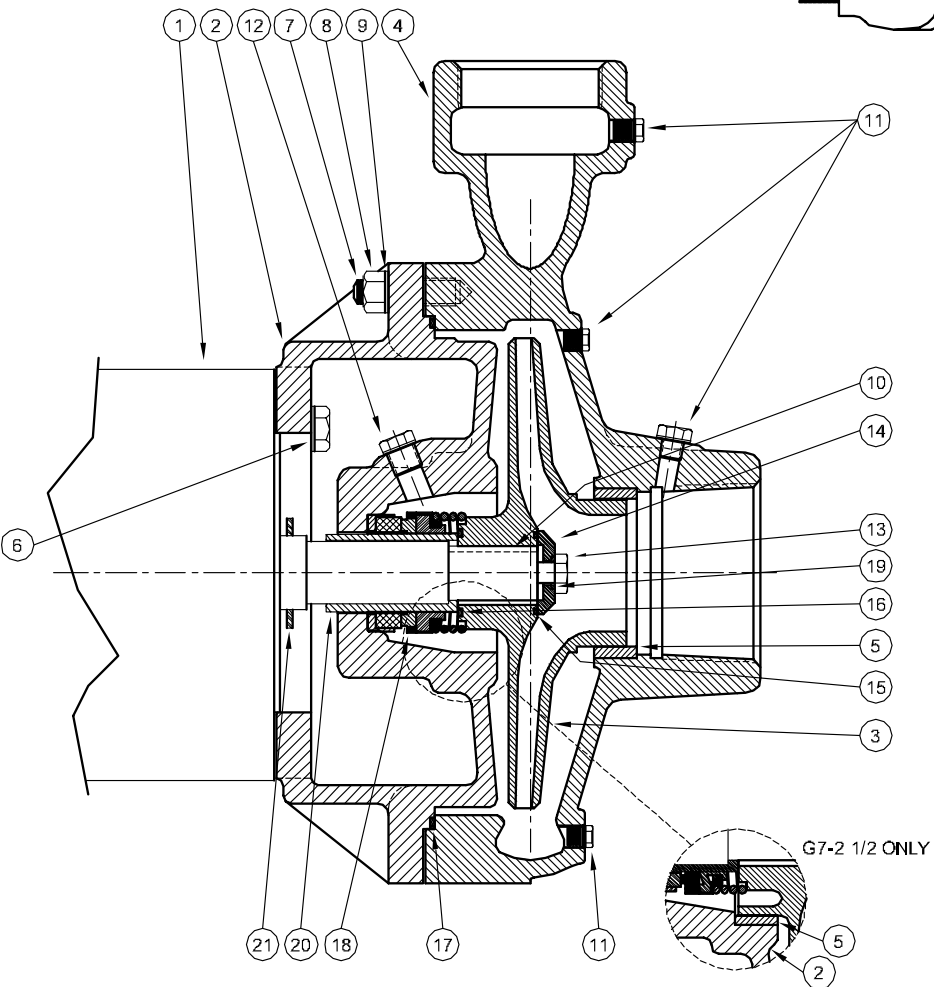
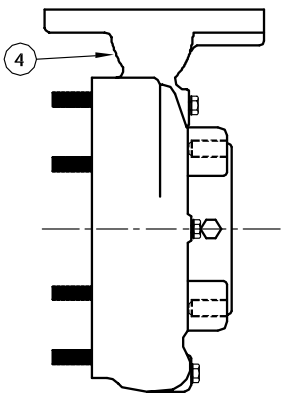
PUMPS & SYSTEMS

USA: (937) 778-8947 • Canada: (905) 457-6223 • International: (937) 615-3598

This Page Intentionally Left Blank

Centrifugals - Close Coupled

FLANGED CASING ASSEMBLY



1 - MOTORS			
RPM & PHASE	PART NUMBER	HP	FRAME SIZE
OPEN DRIP PROOF			
1750 RPM Single Phase (ODP)	21393	1	143JM
	21394	1½	145JM
	21395	2	182JM
	21396	3	184JM
1750 RPM Three Phase (ODP)	21419	1	143JM
	21420	1½	145JM
	21421	2	145JM
	21422	3	182JM
3500 RPM Single Phase (ODP)	09902	5	184JM
	21850	7½	213JM
3500 RPM Three Phase (ODP)	09906	5	182JM
	09907	7½	184JM
	09999	10	213JM
	20002	15	215JM
	21169	20	254JM
	21170	25	256JM
	21207	30	284JM
TOTALLY ENCLOSED			
1750 RPM Single Phase (TEFC)	21399	1	143JM
	21400	1½	145JM
	21401	2	182JM
	21402	3	184JM
	21403	5	213JM
1750 RPM Three Phase (TEFC)	21426	1	143JM
	21427	1½	145JM
	21428	2	145JM
	21429	3	182JM
	21430	5	184JM
3500 RPM Three Phase (TEFC)	09950	5	184JM
	09951	7½	213JM
	20000	10	215JM
	20003	15	254JM
	21195	20	256JM
	21457	25	284JM
	21215	30	286JM
EXPLOSION PROOF			
1750 RPM Three Phase (XP)	21433	1	143JM
	21434	1½	145JM
	21435	2	145JM
	21436	3	182JM
	21437	5	184JM
3500 RPM Three Phase (XP)	09954	5	184JM
	09955	7½	213JM
	20001	10	215JM
	20004	15	254JM
	21196	20	256JM
	21458	25	284JM
	21218	30	286JM

SYMBOL NUMBER	PART NUMBER	QTY	DESCRIPTION
PUMPS with 143-215JM Motors			
+15	09933	1	Flat Gasket +
	22083	1	O-Ring Gasket - Buna N (Std)
	22084	1	O-Ring Gasket - Viton
	22094	1	O-Ring Gasket - EPT**
	22085	1	O-Ring Gasket - Teflon
PUMPS with 254-286JM Motors			
+16	21090	1	Flat Gasket +
	22140	1	O-Ring Gasket - Buna N (Std)
	22141	1	O-Ring Gasket - Viton
	22143	1	O-Ring Gasket - EPT**
	22142	1	O-Ring Gasket - Teflon
PUMPS with 143-215JM Motors			
+17	09911	1	Flat Gasket +
	22083	1	O-Ring Gasket - Buna N (Std)
	22084	1	O-Ring Gasket - Viton
	22094	1	O-Ring Gasket - EPT**
	22085	1	O-Ring Gasket - Teflon
PUMPS with 254-286JM Motors			
+18	21092	1	Flat Gasket +
	22089	1	O-Ring Gasket - Buna N (Std)
	22090	1	O-Ring Gasket - Viton
	22096	1	O-Ring Gasket - EPT**
	22091	1	O-Ring Gasket - Teflon
18	20418	1	Flat Gasket +
	125857-200	1	O-Ring Gasket - Buna N (Std)
	23004	1	O-Ring Gasket - Viton
	23005	1	O-Ring Gasket - EPT**
	23006	1	O-Ring Gasket - Teflon
PUMPS with 143-215JM Motors			
18	09917		Mechanical Seal - Buna-N (Std)
	09926		Mechanical Seal - Viton
	21271		Mechanical Seal - EPT**
PUMPS with 254-286JM Motors			
18	21136		Mechanical Seal - Buna-N (Std)
	21189		Mechanical Seal - Viton
	21721		Mechanical Seal - EPT**

"CONTINUED ON NEXT PAGE"

(*) Casing Assy. Includes Symbols 4, 9 & 14.

(**) For hot water and Caustic service.

(+) Series G7-2, G7A-2 & G7-2-1/2 pumps have been manufactured with either a flat or O-ring type gasket. Determine which type is required before ordering. When in doubt, order flat gasket.

(♦) Adapter Assy. includes symbol 5.

SYMBOL NUMBER	PART NUMBER	QTY	DESCRIPTION	
2	20650	1	Adapter - 143-184JM Motors	
	20419	1	Adapter - 213-215JM Motors	
	21086	1	Adapter Assy ♦ - 254-256 JM Motors	
	21310	1	Adapter Assy ♦ - 284-286 JM Motors	
1750 RPM				
3	20420-7.00	1	Impeller - 104G7-2 & 3104G7-2	
	20420-7.56	1	Impeller - 154G7-2 & 3154G7-2	
	20421-6.56	1	Impeller - 104G7A-2 & 3104G7A-2	
	20421-7.06	1	Impeller - 154G7A-2 & 3154G7A-2	
	20421-7.63	1	Impeller - 204G7A-2 & 3204G7A-2	
	21087-1-6.13	1	Impeller - 154G7-2-1/2 & 3154G7-2-1/2	
	21087-1-6.50	1	Impeller - 204G7-2-1/2 & 3204G7-2-1/2	
	21087-1-7.25	1	Impeller - 304G7-2-1/2 & 3304G7-2-1/2	
	3450 RPM			
	3	20420-6.25	1	Impeller - 50G7-2 & 350G7-2
		20420-6.88	1	Impeller - 375G7-2
		20420-7.38	1	Impeller - 3100G7-2
		20420-7.56	1	Impeller - 3150G7-2
		20420-1	1	Impeller - 254JM Motor
		20421-5.81	1	Impeller - 50G7A-2 & 350G7A-2
20421-6.31		1	Impeller - 375G7A-2	
20421-6.75		1	Impeller - 3100G7A-2	
20421-7.56		1	Impeller - 3150G7A-2	
20421-1-7.63		1	Impeller - 3200G7A-2	
3	21087-6.75	1	Impeller - 3200G7-2-1/2	
	21087-7.38	1	Impeller - 3250G7-2-1/2	
	21087-7.56	1	Impeller - 3300G7-2-1/2	
*4	22153	1	Casing Assy - G7-2 & G7A-2	
	22271	1	Casing Assy - G7-2F & G7A-2F (Flanged)	
	22154	1	Casing Assy - G7-2-1/2	
	22272	1	Casing Assy -G7-2-1/2F (Flanged)	
5	09915	1	Wear Ring - G7-2 & G7A-2	
	20680	2	Wear Ring - G7-2-1/2	
6	04235	4	Cap Screw - Use with 20650 Adapter	
	1-68-6	4	Cap Screw - Use with 20419 & 21086 Adapter	
	21289	4	Cap Screw - Use with 21310 Adapter	
7	20424	8	Stud	
8	15-6-6	8	Nut	
9	20059	8	Washer	
10	23014	1	Key - 143-215JM Motors	
	22107	1	Key - 254-286JM Motors	
11	01691-A	6	Pipe Plug 1/8" - Bronze	
12	04236	1	Pipe Plug 1/4" - Bronze	
13	1-529-1	1	Cap Screw SS - 143-215JM Motors	
	1-68-1	1	Cap Screw SS - 254-286JM Motors	
14	22105-C	1	Washer - Bronze - 143-215JM Motors	
	22106	1	Washer - Bronze - 254-286JM Motors	

Series: G7-2, G7A-2 & G7-2-1/2

BURKKS®

www.cranepumps.com

Centrifugals - Close Coupled

SYMBOL NUMBER	PART NUMBER	QTY	DESCRIPTION	
DIFFERING PARTS FOR ALL IRON CONSTRUCTION				
2	21086-B 21310-B	1 1	Adapter Assy ♦ - 254-256 JM Motors Adapter Assy ♦ - 284-286 JM Motors	
3	20420-A 20421-A 20421-A-1 21087-A	1 1 1 1	Impeller - Iron Impeller - Iron Impeller - Iron Impeller - Iron	
	Size suffixes same as standard bronze impellers			
6	03288 01638-B	4 4	Cap Screw - for 20650-A Adapter Cap Screw - for 20419-B & 21086-A Adapter	
8	03160-A	8	Nut	
*4	22153-B 22271-B 22154-B 22272-B	1 1 1 1	Casing Assy - G7-2 & G7A-2 Casing Assy - G7-2F & G7A-2F (Flanged) Casing Assy - G7-2-1/2 Casing Assy -G7-2-1/2F (Flanged)	
	5	09915-A 20680-A	1 2	Wear Ring - G7-2 & G7A-2 Wear Ring - G7-2-1/2
	11 12	00158 04236-A	6 1	Pipe Plug 1/8" - Steel Pipe Plug 1/4" - SS
	14	22105-A 22106-A	1 1	Washer - Steel - 143-215JM Motors Washer - Steel - 254-286JM Motors
20	22063-A 22066-A	1 1	Shaft Sleeve - Bronze - 143-215JM Motors Shaft Sleeve - Bronze - 254-286JM Motors	

(*) Casing Assy. Includes Symbols 4, 9 & 14.

(**) For hot water or Caustic service.

(+) Series G7-2, G7A-2 & G7-2-1/2 pumps have been manufactured with either a flat or O-ring type gasket. Determine which type is required before ordering. When in doubt, order flat gasket.

(♦) Adapter Assy. includes symbol 5.

SYMBOL NUMBER	PART NUMBER	QTY	DESCRIPTION	
PUMPS with 143-215JM Motors				
19	22080 2-31005-012	1 1	O-Ring Gasket - Buna N (Std) O-Ring Gasket - Viton	
	22093 22082	1 1	O-Ring Gasket - EPT** O-Ring Gasket - Teflon	
	PUMPS with 254-286JM Motors			
	22086 22087 22095 22088	1 1 1 1	O-Ring Gasket - Buna N (Std) O-Ring Gasket - Viton O-Ring Gasket - EPT** O-Ring Gasket - Teflon	
20	22063-C 22066	1 1	Shaft Sleeve - Bronze - 143-215JM Motors Shaft Sleeve - Bronze - 254-286JM Motors	
21	09918 21093	1 1	Slinger Washer - 143-215JM Motors Slinger Washer - 254-286JM Motors	
DIFFERING PARTS FOR ALL BRONZE CONSTRUCTION				
2	20650-A 20419-B 21086-A 21310-A	1 1 1 1	Adapter - 143-184JM Motors Adapter - 213-215JM Motors Adapter Assy ♦ - 254-256JM Motors Adapter Assy ♦ - 284-286JM Motors	
	*4	22153-A 22271-A 22154-A 22272-A	1 1 1 1	Casing Assy - G7-2 & G7A-2 Casing Assy - G7-2F & G7A-2F (Flanged) Casing Assy - G7-2-1/2 Casing Assy -G7-2-1/2F (Flanged)
	13	03289 01638-B	1 1	Cap Screw, Bronze - 143-215JM Motors Cap Screw, Bronze - 254-286JM Motors
	DIFFERING PARTS FOR ALL IRON CONSTRUCTION			

SECTION
PAGE
DATE

CCCP
24
2/05

A Crane Co. Company

CRANE

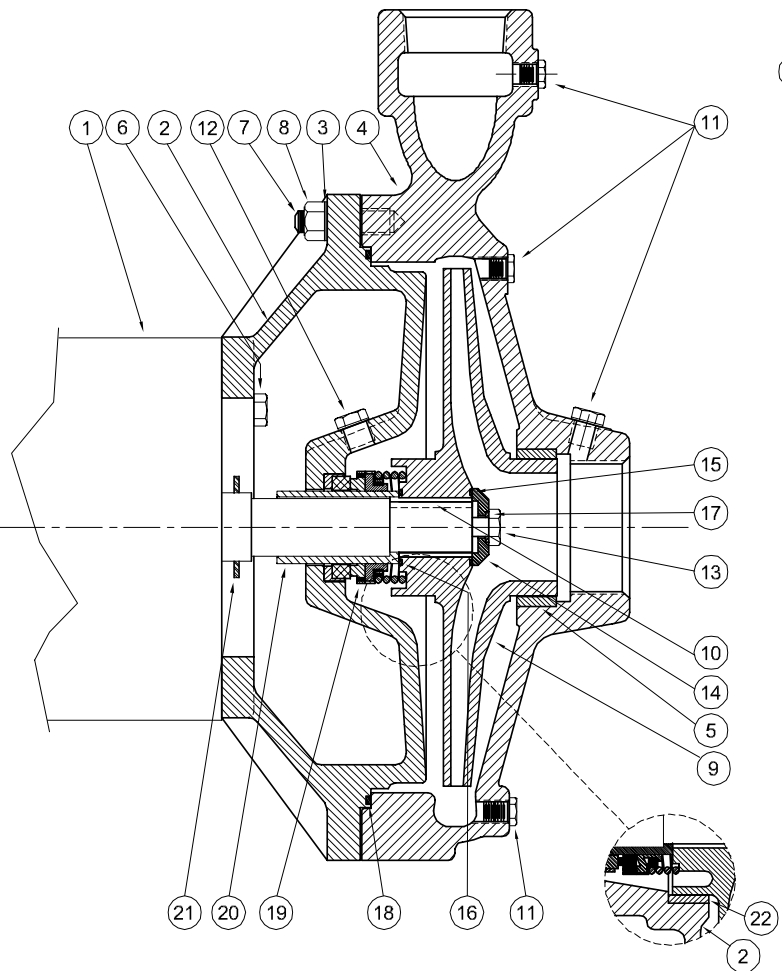
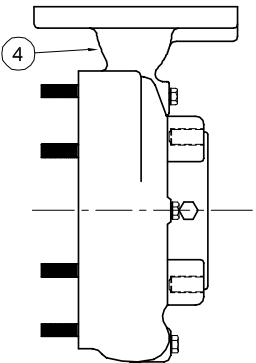
PUMPS & SYSTEMS

USA: (937) 778-8947 • Canada: (905) 457-6223 • International: (937) 615-3598

This Page Intentionally Left Blank

Centrifugals - Close Coupled

FLANGED CASING ASSEMBLY



1 - MOTORS			
RPM & PHASE	PART NUMBER	HP	FRAME SIZE
OPEN DRIP PROOF			
1750 RPM Single Phase (ODP)	21393	1	143JM
	21394	1½	145JM
	21395	2	182JM
	21396	3	184JM
	21397	5	213JM
1750 RPM Three Phase (ODP)	21419	1	143JM
	21420	1½	145JM
	21421	2	145JM
	21422	3	182JM
	21423	5	184JM
3500 RPM Single Phase (ODP)	09902	5	184JM
3500 RPM Three Phase (ODP)	09906	5	182JM
	09907	7½	184JM
	09999	10	213JM
	20002	15	215JM
	21169	20	254JM
	21170	25	256JM
	21207	30	284JM
	21208	40	286JM
TOTALLY ENCLOSED			
1750 RPM Single Phase (TEFC)	21399	1	143JM
	21400	1½	145JM
	21401	2	182JM
	21402	3	184JM
	21403	5	213JM
1750 RPM Three Phase (TEFC)	21426	1	143JM
	21427	1½	145JM
	21428	2	145JM
	21429	3	182JM
	21430	5	184JM
3500 RPM Three Phase (TEFC)	09950	5	184JM
	09951	7½	213JM
	20000	10	215JM
	20003	15	254JM
	21195	20	256JM
	21457	25	284JM
	21215	30	286JM
	21216	40	324JM
EXPLOSION PROOF			
1750 RPM Three Phase (XP)	21433	1	143JM
	21434	1½	145JM
	21435	2	145JM
	21436	3	182JM
	21437	5	184JM
3500 RPM Three Phase (XP)	09954	5	184JM
	09955	7½	213JM
	20001	10	215JM
	20004	15	254JM
	21196	20	256JM
	21458	25	284JM
	21218	30	286JM
	21219	40	324JM

SYMBOL NUMBER	PART NUMBER	QTY	DESCRIPTION
PUMPS with 143-215JM Motors			
+15	09933	1	Flat Gasket +
	22083	1	O-Ring Gasket - Buna N (Std)
	22084	1	O-Ring Gasket - Viton
	22094	1	O-Ring Gasket - EPT**
	22085	1	O-Ring Gasket - Teflon
PUMPS with 254-324JM Motors			
+16	21090	1	Flat Gasket +
	22140	1	O-Ring Gasket - Buna N (Std)
	22141	1	O-Ring Gasket - Viton
	22143	1	O-Ring Gasket - EPT**
	22142	1	O-Ring Gasket - Teflon
PUMPS with 143-215JM Motors			
+17	09911	1	Flat Gasket +
	22083	1	O-Ring Gasket - Buna N (Std)
	22084	1	O-Ring Gasket - Viton
	22094	1	O-Ring Gasket - EPT**
	22085	1	O-Ring Gasket - Teflon
PUMPS with 254-324JM Motors			
+18	21092	1	Flat Gasket +
	22089	1	O-Ring Gasket - Buna N (Std)
	22090	1	O-Ring Gasket - Viton
	22096	1	O-Ring Gasket - EPT**
	22091	1	O-Ring Gasket - Teflon
PUMPS with 143-215JM Motors			
+17	22080	1	O-Ring Gasket - Buna N (Std)
	2-31005-012	1	O-Ring Gasket - Viton
	22093	1	O-Ring Gasket - EPT**
	22082	1	O-Ring Gasket - Teflon
PUMPS with 254-324JM Motors			
+17	22086	1	O-Ring Gasket - Buna N (Std)
	22087	1	O-Ring Gasket - Viton
	22095	1	O-Ring Gasket - EPT**
	22088	1	O-Ring Gasket - Teflon
	+18	20425	1
23007		1	O-Ring Gasket - Buna N (Std)
23008		1	O-Ring Gasket - Viton
23009		1	O-Ring Gasket - EPT**
23010		1	O-Ring Gasket - Teflon

"CONTINUED ON NEXT PAGE"

(*) Casing Assy. Includes Symbols 5, 7 & 11.

(**) For hot water or Caustic service.

(+) Series G9A-1-1/2 & G9-2 pumps have been manufactured with either a flat or O-ring type gasket. Determine which type is required before ordering. When in doubt, order flat gasket.

(♦) Adapter Assy. includes symbol 22.

SYMBOL NUMBER	PART NUMBER	QTY	DESCRIPTION	
2	21346	1	Adapter - 143-184JM Motors	
	20431	1	Adapter Assy ♦ - 213-215JM Motors	
	21354	1	Adapter Assy - 254-256 JM Motors	
	21174	1	Adapter Assy - 284-324 JM Motors	
3	20059	12	Lockwasher - SS	
*4	22155	1	Casing Assy - G9-1-1/2	
	22156	1	Casing Assy - G9-2	
	22273	1	Casing Assy - G9-2F (Flanged)	
5	09915	1	Wear Ring - Casing, Bronze - G9A-1-1/2	
	09923-E	1	Wear Ring - Casing, Bronze - G9-2	
6	01928	4	Cap Screw - Use with 21346 Adapter	
	1-68-6	4	Cap Screw - Use with 20431 & 21354 Adapter	
	Q15-4-E26	4	Cap Screw - Use with 21174 Adapter	
7	20424	12	Stud	
8	15-6-6	12	Nut	
1750 RPM				
9	20427-7.38	1	Impeller - 104G9A-1-1/2 & 3104G9A-1-1/2	
	20427-7.75	1	Impeller - 154G9A-1-1/2 & 3154G9A-1-1/2	
	20427-8.44	1	Impeller - 204G9A-1-1/2 & 3204G9A-1-1/2	
	20427-9.00	1	Impeller - 304G9A-1-1/2 & 3304G9A-1-1/2	
	21172-1-6.75	1	Impeller - 154G9-2 & 3154G9-2	
	21172-1-7.31	1	Impeller - 204G9-2 & 3204G9-2	
	21172-1-8.31	1	Impeller - 304G9-2 & 3304G9-2	
	21172-1-9.00	1	Impeller - 504G9-2 & 3504G9-2	
	3450 RPM			
	9	20427-6.00	1	Impeller - 50G9A-1-1/2 & 350G9A-1-1/2
20427-7.00		1	Impeller - 375G9A-1-1/2	
20427-7.63		1	Impeller - 3100G9A-1-1/2	
20427-8.38		1	Impeller - 3150G9A-1-1/2	
20427-1-9.00		1	Impeller - 3200G9A-1-1/2	
21172-7.88		1	Impeller - 3200G9-2	
21172-8.25		1	Impeller - 3250G9-2	
21172-8.75		1	Impeller - 3300G9-2	
21172-9.00		1	Impeller - 3400G9-2	
10		23014	1	Key - 143-215JM Motors
	22107	1	Key - 254-324JM Motors	
11	01691-A	6	Pipe Plug 1/8" - Bronze	
12	04236	1	Pipe Plug 1/4" - Bronze	
13	1-529-1	1	Cap Screw SS - 143-215JM Motors	
	1-68-1	1	Cap Screw SS - 254-324JM Motors	
14	22105-C	1	Washer - Bronze - 143-215JM Motors	
	22106	1	Washer - Bronze - 254-324JM Motors	

SYMBOL NUMBER	PART NUMBER	QTY	DESCRIPTION
DIFFERING PARTS FOR ALL IRON CONSTRUCTION			
2	20431-B	1	Adapter Assy ♦ - 213-215JM Motors
*4	22155-B	1	Casing Assy - G9A-1½
	22156-B	1	Casing Assy - G9-2
	22273-B	1	Casing Assy - G9-2F (Flanged)
5	09915-A	1	Wear Ring - Steel - G9A-1½
	09923-A	1	Wear Ring - Steel - G9-2
9	20427-A	1	Impeller - Iron
	20427-A-1	1	Impeller - Iron
	21172-A	1	Impeller - Iron
	21172-A-1	1	Impeller - Iron
Size suffixes same as standard bronze impellers			
11	00158	6	Pipe Plug 1/8" Steel
12	04236-A	1	Pipe Plug 1/4" SS
14	22105-A	1	Washer - Steel - 143-215JM Motors
	22106-A	1	Washer - Steel - 254-324JM Motors
20	22063-A	1	Shaft Sleeve, SS - 143-215JM Motors
	22066-A	1	Shaft Sleeve, SS - 254-324JM Motors
22	09915-A	1	Wear Ring, Steel - for 20431-B Adapter Assy

(*) Casing Assy. Includes Symbols 5, 7 & 11.

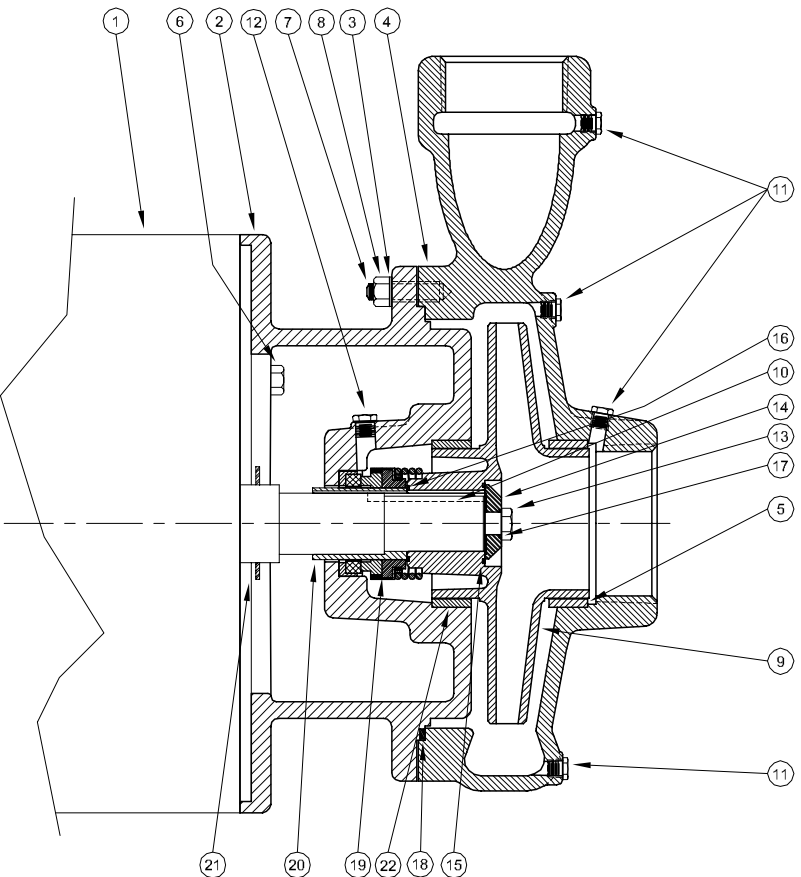
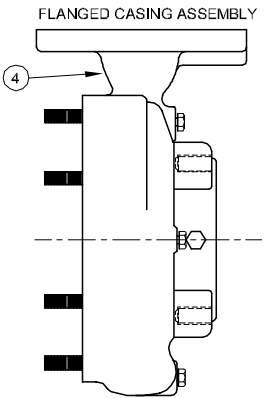
(**) For hot water or Caustic service.

(+) Series G9A-1-1/2 & G9-2 pumps have been manufactured with either a flat or O-ring type gasket. Determine which type is required before ordering. When in doubt, order flat gasket.

(♦) Adapter Assy. includes symbol 22.

SYMBOL NUMBER	PART NUMBER	QTY	DESCRIPTION
PUMPS with 143-215JM Motors			
19	09917	1	Mechanical Seal - Buna-N (Std)
	09926	1	Mechanical Seal - Viton
	21271	1	Mechanical Seal - EPT**
PUMPS with 254-324JM Motors			
19	21136	1	Mechanical Seal - Buna-N (Std)
	21189	1	Mechanical Seal - Viton
	21721	1	Mechanical Seal - EPT**
20	22063-C	1	Shaft Sleeve - Bronze - 143-215JM Motors
	22066	1	Shaft Sleeve - Bronze - 254-324JM Motors
21	09918	1	Slinger Washer - 143-215JM Motors
	21093	1	Slinger Washer - 254-324JM Motors
22	09915	1	Wear Ring, Bronze - for 20431 Adapter Assy
DIFFERING PARTS FOR ALL BRONZE CONSTRUCTION			
2	21346-A	1	Adapter - 143-184JM Motors
	20431-A	1	Adapter Assy ♦ - 213-215JM Motors
	21354-A	1	Adapter Assy - 254-256JM Motors
	21174-A	1	Adapter Assy - 284-324JM Motors
*4	22155-A	1	Casing Assy - G9A-1½
	22156-A	1	Casing Assy - G9-2
	22273-A	1	Casing Assy - G9-2F (Flanged)
6	03289	4	Cap Screw - Use with 21346-A Adapter
	01638-B	4	Cap Screw - Use with 20431-A & 21354-A Adapter
8	03160-A	12	Nut
	03289	1	Cap Screw Bronze - 143-215JM Motors
13	01638-B	1	Cap Screw Bronze - 254-324JM Motors

This Page Intentionally Left Blank



1 - MOTORS			
RPM & PHASE	PART NUMBER	HP	FRAME SIZE
OPEN DRIP PROOF			
1750 RPM Single Phase (ODP)	21396	3	184JM
	21397	5	213JM
	21398	7½	215JM
1750 RPM Three Phase (ODP)	21422	3	182JM
	21423	5	184JM
	21424	7½	213JM
3500 RPM Three Phase (ODP)	21170	25	256JM
	21207	30	284JM
	21208	40	286JM
	21209	50	324JM
	21210	60	326JM
TOTALLY ENCLOSED			
1750 RPM Single Phase (TEFC)	21402	3	184JM
	21403	5	213JM
	21404	7½	215JM
1750 RPM Three Phase (TEFC)	21429	3	182JM
	21430	5	184JM
	21431	7½	213JM
3500 RPM Three Phase (TEFC)	21457	25	284JM
	21215	30	286JM
	21216	40	324JM
	21217	50	326JM
EXPLOSION PROOF			
1750 RPM Three Phase (XP)	21436	3	182JM
	21437	5	184JM
	21438	7½	213JM
3500 RPM Three Phase (XP)	21458	25	284JM
	21218	30	286JM
	21219	40	324JM
	21220	50	326JM

SYMBOL NUMBER	PART NUMBER	QTY	DESCRIPTION
PUMPS with 182-215JM Motors			
+15	09933	1	Flat Gasket +
	22083	1	O-Ring Gasket - Buna N (Std)
	22084	1	O-Ring Gasket - Viton
	22094	1	O-Ring Gasket - EPT**
	22085	1	O-Ring Gasket - Teflon
PUMPS with 254-326JM Motors			
+15	21090	1	Flat Gasket +
	22140	1	O-Ring Gasket - Buna N (Std)
	22141	1	O-Ring Gasket - Viton
	22143	1	O-Ring Gasket - EPT**
	22142	1	O-Ring Gasket - Teflon
PUMPS with 182-215JM Motors			
+16	09911	1	Flat Gasket +
	22083	1	O-Ring Gasket - Buna N (Std)
	22084	1	O-Ring Gasket - Viton
	22094	1	O-Ring Gasket - EPT**
	22085	1	O-Ring Gasket - Teflon
PUMPS with 254-326JM Motors			
+16	21092	1	Flat Gasket +
	22089	1	O-Ring Gasket - Buna N (Std)
	22090	1	O-Ring Gasket - Viton
	22096	1	O-Ring Gasket - EPT**
	22091	1	O-Ring Gasket - Teflon
PUMPS with 182-215JM Motors			
17	22080	1	O-Ring Gasket - Buna N (Std)
	2-31005-012	1	O-Ring Gasket - Viton
	22093	1	O-Ring Gasket - EPT**
	22082	1	O-Ring Gasket - Teflon
PUMPS with 254-326JM Motors			
+18	22086	1	O-Ring Gasket - Buna N (Std)
	22087	1	O-Ring Gasket - Viton
	22095	1	O-Ring Gasket - EPT**
	22088	1	O-Ring Gasket - Teflon
+18	20425	1	Flat Gasket +
	23007	1	O-Ring Gasket - Buna N (Std)
	23008	1	O-Ring Gasket - Viton
	23009	1	O-Ring Gasket - EPT**
	23010	1	O-Ring Gasket - Teflon

"CONTINUED ON NEXT PAGE"

(*) Casing Assy. Includes Symbols 5, 7 & 11.

(**) For hot water or Caustic service.

(+) Series G9-2-1/2 & G9-3 pumps have been manufactured with either a flat or O-ring type gasket. Determine which type is required before ordering. When in doubt, order flat gasket.

(♦) Adapter Assy. includes symbol 22.

SYMBOL NUMBER	PART NUMBER	QTY	DESCRIPTION
2	21346	1	Adapter - 182-184JM Motors
	20431	1	Adapter Assy ♦ - 213-215JM Motors
	21354-1	1	Adapter Assy ♦ - 254-256 JM Motors
	21174-1	1	Adapter Assy ♦ - G9-2-1/2 w/284-326JM Motors
	21349	1	Adapter Assy ♦ - G9-3F, G9A-3F w/284-326JM Motors
	21354	1	Adapter Assy ♦ - G9A-3 w/254-256 JM Motors
3	20059	12	Lockwasher - SS
*4	22157	1	Casing Assy - G9-2-1/2
	22274	1	Casing Assy - G9-2-1/2F (Flanged)
	22275	1	Casing Assy - G9-3F (Flanged)
5	20680	1	Wear Ring, Casing, Bronze - G9-2-1/2
	21315	1	Wear Ring, Casing, Bronze - G9-3F, G9A3-3F
6	01928	4	Cap Screw - Use with 21346 & 20431 Adapter
	1-68-6	4	Cap Screw - Use with 21354-1 Adapter
	Q15-4-E26	4	Cap Screw - Use with 21174-1 & 21349 Adapter
7	20424	12	Stud
8	15-6-6	12	Nut
1750 RPM			
9	21203-1-7.25	1	Impeller - 304G9-2-1/2 & 3304G9-2-1/2
	21203-1-8.25	1	Impeller - 504G9-2-1/2 & 3504G9-2-1/2
	21203-1-9.00	1	Impeller - 754G9-2-1/2 & 3754G9-2-1/2
	21557-1-7.75	1	Impeller - 504G9-3F & 3504G9-3F
	21557-1-8.50	1	Impeller - 754G9-3F & 3754G9-3F
	21557-1-9.25	1	Impeller - 31004G9-3F
3500 RPM			
9	21203-7.38	1	Impeller - 3250G9-2-1/2
	21203-7.88	1	Impeller - 3300G9-2-1/2
	21203-8.63	1	Impeller - 3400G9-2-1/2
	21203-9.00	1	Impeller - 3500G9-2-1/2 & 3600G9-2-1/2
	21557-7.25	1	Impeller - 3300G9-3F
	21557-7.75	1	Impeller - 3400G9-3F
	21557-8.13	1	Impeller - 3500G9-3F
	23272-6.50	1	Impeller - 3200G9A-3F
	23272-6.94	1	Impeller - 3250G9A-3F
23272-7.31	1	Impeller - 3300G9A-3F	
23272-7.81	1	Impeller - 3400G9A-3F	
23272-8.31	1	Impeller - 3500G9A-3F	
23272-8.75	1	Impeller - 3600G9A-3F	
10	23014	1	Key - 143-215JM Motors
	22107	1	Key - 254-326JM Motors
11	01691-A	6	Pipe Plug 1/8" - Bronze
12	04236	1	Pipe Plug 1/4" - Bronze
13	1-529-1	1	Cap Screw SS - 182-215JM Motors
	1-68-1	1	Cap Screw SS - 254-326JM Motors
14	22105-C	1	Washer - Bronze - 182-215JM Motors
	22106	1	Washer - Bronze - 254-326JM Motors

SYMBOL NUMBER	PART NUMBER	QTY	DESCRIPTION
DIFFERING PARTS FOR ALL IRON CONSTRUCTION			
2	20431-B	1	Adapter Assy ♦ - 213-215JM Motors
	21354-B-1		Adapter Assy ♦ - 254-256JM Motors
	21174-B-1		Adapter Assy ♦ - G9-2-1/2 w/284-326JM Motors
	21349-B		Adapter Assy ♦ - G9-3F, G9A3-3F w/284-326JM Motors
*4	22157-B	1	Casing Assy - G9-2-1/2
	22274-B	1	Casing Assy - G9-2-1/2F (Flanged)
	22275-B	1	Casing Assy - G9-3F (Flanged)
5	20680-A	1	Wear Ring - Steel - G9-2-1/2
	21315-A	1	Wear Ring - Steel - G9-3F
9	1750 RPM		
	21203-A-1	1	Impeller - Iron
	21557-A-1	1	Impeller - Iron
	Size suffixes same as standard bronze impellers		
	3500 RPM		
	23272-A	1	Impeller - Iron
	21203-A	1	Impeller - Iron
	21557-A	1	Impeller - Iron
Size suffixes same as standard bronze impellers			
11	00158	6	Pipe Plug 1/8" Steel
12	04236-A	1	Pipe Plug 1/4" SS
14	22105-A	1	Washer - Steel - 182-215JM Motors
	22106-A	1	Washer - Steel - 254-326JM Motors
20	22063-A	1	Shaft Sleeve, SS - 182-215JM Motors
	22066-A	1	Shaft Sleeve, SS - 254-326JM Motors
22	09915-A	1	Wear Ring, Steel - for 20431-B Adapter Assy
	20680-A	1	Wear Ring, Steel - for 21354-B & 21174-B-1 Adapter
	21315-A	1	Wear Ring, Steel - for 21349-B Adapter

(*) Casing Assy. Includes Symbols 5, 7 & 11.

(**) For hot water or Caustic service.

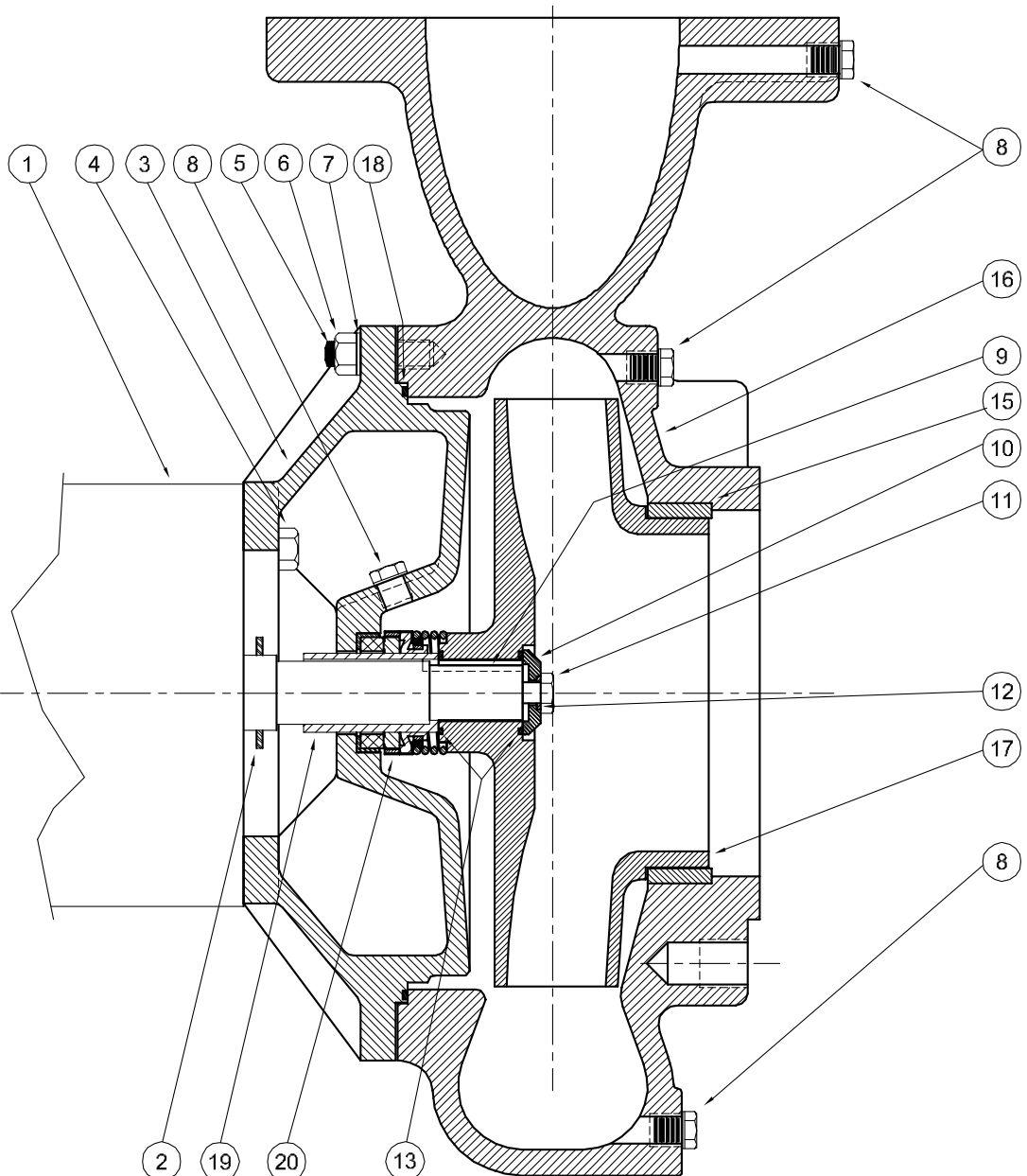
(+) Series G9-2-1/2 & G9-3 pumps have been manufactured with either a flat or O-ring type gasket. Determine which type is required before ordering. When in doubt, order flat gasket.

(♦) Adapter Assy. includes symbol 22.

SYMBOL NUMBER	PART NUMBER	QTY	DESCRIPTION
PUMPS with 182-215JM Motors			
19	09917	1	Mechanical Seal - Buna-N (Std)
	09926	1	Mechanical Seal - Viton
	21271	1	Mechanical Seal - EPT**
PUMPS with 254-326JM Motors			
19	21136	1	Mechanical Seal - Buna-N (Std)
	21189	1	Mechanical Seal - Viton
	21721	1	Mechanical Seal - EPT**
20	22063	1	Shaft Sleeve - Bronze - 182-215JM Motors
	22066	1	Shaft Sleeve - Bronze - 254-326JM Motors
21	09918	1	Slinger Washer - 182-215JM Motors
	21093	1	Slinger Washer - 254-326JM Motors
22	09915	1	Wear Ring, Bronze - for 20431 Adapter Assy
	20680	1	Wear Ring, Bronze - for 21354-1 & 21174-1 Adapter
	21315	1	Wear Ring, Bronze - for 21349 Adapter
DIFFERING PARTS FOR ALL BRONZE CONSTRUCTION			
2	21346-A	1	Adapter - 182-184JM Motors
	20431-A	1	Adapter Assy ♦ - 213-215JM Motors
	21354-A-1	1	Adapter Assy ♦ - 254-256JM Motors
	21174-A-1	1	Adapter Assy ♦ - G9-2-1/2 w/284-326JM Motors
	21349-A	1	Adapter Assy ♦ - G9-3F, G9A-3F w/284-326JM Motors
*4	22157-A	1	Casing Assy - G9-2-1/2
	22274-A	1	Casing Assy - G9-2-1/2F
	22275-A	1	Casing Assy - G9-3F, G9A-3F (Flanged)
8	03160-A	12	Nut
13	03289	1	Cap Screw Bronze - 182-215JM Motors
	01638-B	1	Cap Screw Bronze - 254-326JM Motors

This Page Intentionally Left Blank

Centrifugals - Close Coupled



1 - MOTORS			
RPM & PHASE	PART NUMBER	HP	FRAME SIZE
OPEN DRIP PROOF			
1750 RPM Single Phase (ODP)	21397	5	213JM
	21398	7½	215JM
1750 RPM Three Phase (ODP)	21423	5	184JM
	21424	7½	213JM
	21425	10	215JM
TOTALLY ENCLOSED			
1750 RPM Single Phase (TEFC)	21403	5	213JM
	21404	7½	215JM
1750 RPM Three Phase (TEFC)	21430	5	184JM
	21431	7½	213JM
	21432	10	215JM
EXPLOSION PROOF			
1750 RPM Three Phase (XP)	21437	5	184JM
	21438	7½	213JM
	21439	10	215JM

SYMBOL NUMBER	PART NUMBER	QTY	DESCRIPTION
18	23007	1	O-Ring Gasket - Buna-N (Std)
	23008	1	O-Ring Gasket - Viton
	23009	1	O-Ring Gasket - EPT**
	23010	1	O-Ring Gasket - Teflon
19	22063-C	1	Shaft Sleeve, Bronze
20	09917	1	Mechanical Seal - Buna-N (Std)
	09926	1	Mechanical Seal - Viton
	21271	1	Mechanical Seal - EPT**
DIFFERING PARTS FOR BRONZE CONSTRUCTION			
3	21346-A	1	Adapter, Bronze - 182-184JM Motors
	20431-A-1	1	Adapter, Bronze - 213-215JM Motors
4	01638-B	4	Cap Screw
11	03289	1	Cap Screw, Bronze - 3/8-16 x 1" Lg
* 16	23383-A	1	Casing Assy, Bronze w/Bronze Wear Ring
DIFFERING PARTS FOR ALL IRON CONSTRUCTION			
8	04236-A	1	Plug, SS - 1/4-18 NPT
10	22105-A	1	Washer, Steel
15	23382-A	1	Wear Ring, Steel
* 16	23383-B	1	Casing Assy, Iron w/Steel Wear Ring
17	23384-A	1	Impeller, Iron
19	22063-A	1	Shaft Sleeve. SS

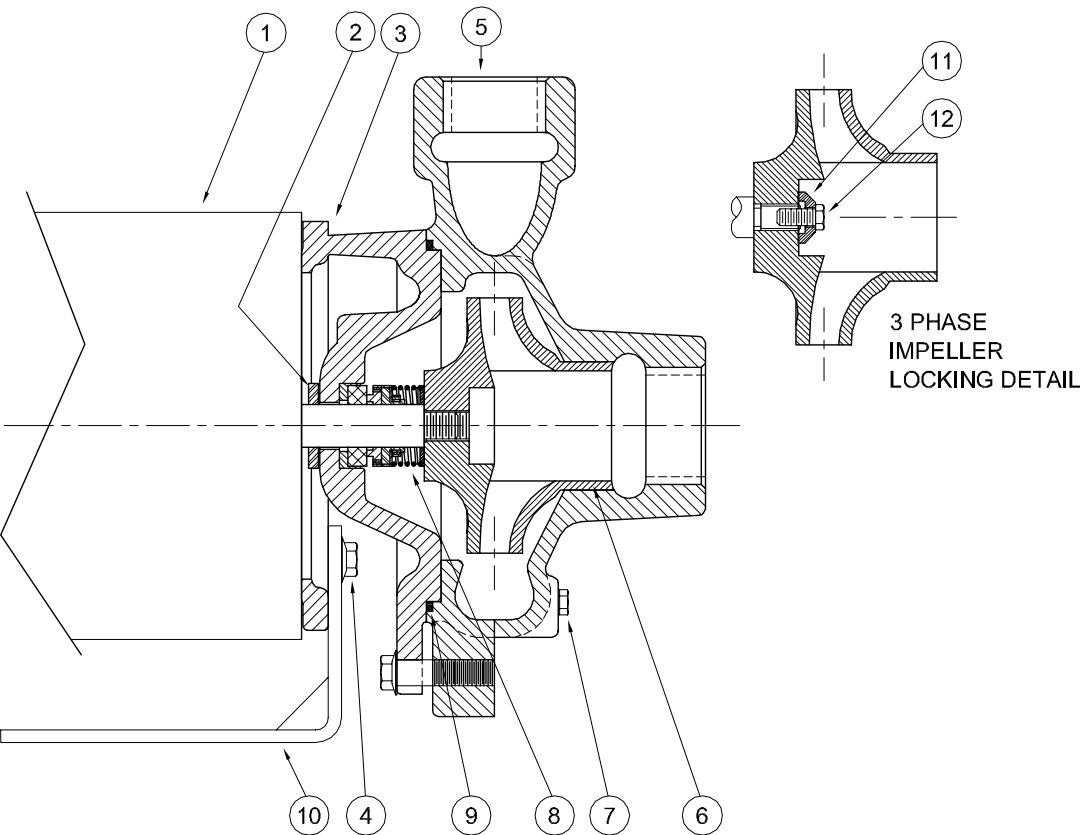
(*) Casing Assy. 23383, -A, -B are complete casing assemblies consisting of symbols 5, 8, 15 & 16.

(**) For hot water or Caustic service.

SYMBOL NUMBER	PART NUMBER	QTY	DESCRIPTION
2	09918	1	Slinger Washer
3	21346	1	Adapter, Iron - 182-184JM Motors
	20431-1	1	Adapter, Iron - 213-215JM Motors
4	1-68-6	4	Cap Screw - 1/2-13 x 1 1/4" Lg
5	20424	12	Stud, 1/2-13 x 2" Lg
6	15-6-6	12	Nut, 1/2-13
7	20059	12	Lockwasher - SS
8	04236	6	Pipe Plug, 1/4" Bronze
9	23014	1	Key - 3/16 Sq x 1 1/2" Lg
10	22105-C	1	Washer - Bronze
	1-529-1	1	Cap Screw, SS - 3/8-16 x 1" Lg
12	22080	1	O-Ring Gasket - Buna-N (Std)
	2-31005-012	1	O-Ring Gasket - Viton
	22093	1	O-Ring Gasket - EPT**
	22082	1	O-Ring Gasket - Teflon
13	22083	1	O-Ring Gasket - Buna-N (Std)
	22084	1	O-Ring Gasket - Viton
	22094	1	O-Ring Gasket - EPT**
	22085	1	O-Ring Gasket - Teflon
15	23382	1	Wear Ring, Casing, Bronze
* 16	23383	1	Casing Assy, Iron w/Bronze Wear Ring
17	23384-7.13	1	Impeller, 504G9-4F & 3504G9-4F
	23384-8.00	1	Impeller, 754G9-4F & 3754G9-4F
	23384-8.63	1	Impeller, 1004G9-4F & 31004G9-4F

CRANE[®]

PUMPS & SYSTEMS



1 - MOTORS (All 56J Frame)		
RPM & PHASE	PART NUMBER	HP
OPEN DRIP PROOF		
3500 RPM Single Phase (ODP)	005-211-371-02	1/2
	007-211-371-02	3/4
	010-211-371-02	1
3500 RPM Three Phase (ODP)	005-230-361-02	1/2
	007-230-361-02	3/4
	010-230-361-02	1
TOTALLY ENCLOSED		
3500 RPM Single Phase (TENV / TEFC)	007-211-372-02	3/4
	010-211-372-02	1
	015-211-372-02	1½
3500 RPM Three Phase (TENV / TEFC)	007-230-362-02	3/4
	010-230-362D02	1
	015-230-362D02	1½
EXPLOSION PROOF		
3500 RPM Single Phase (XP)	007-211-374-02	3/4
	010-211-374-02	1
	015-211-374-02	1½
3500 RPM Three Phase (XP)	007-230-364-02	3/4
	010-230-364-02	1
	015-230-364-02	1½

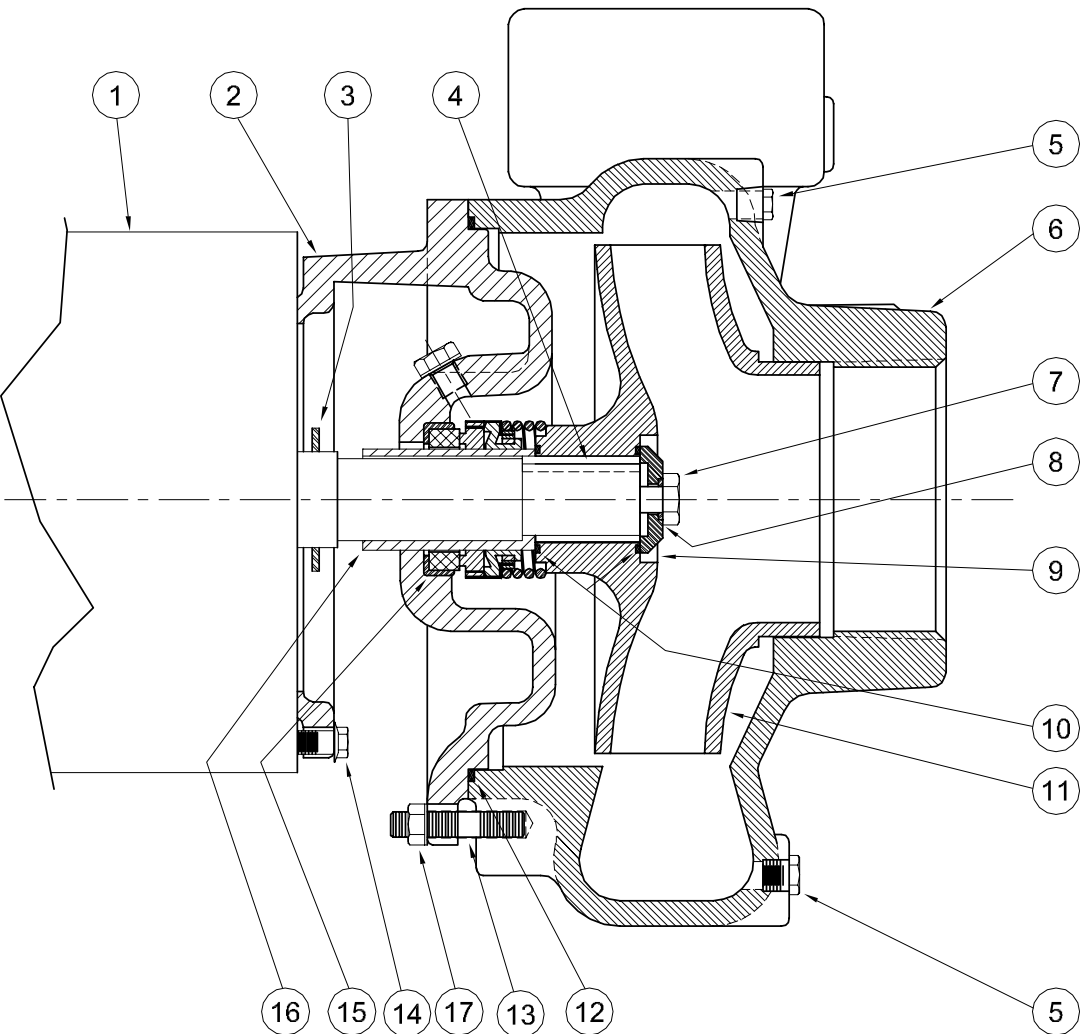
SYMBOL NUMBER	PART NUMBER	QTY	DESCRIPTION
DIFFERING PARTS FOR BRONZE FITTED			
6	23062-A	1	Impeller
7	01691-A	3	Pipe Plug 1/8"
11	21181-C	1	Washer
DIFFERING PARTS FOR ALL BRONZE			
3	22752-A	1	Adapter
5	23063-A	1	Casing
6	23062-A	1	Impeller
7	01691-A	3	Pipe Plug
11	21181-C	1	Washer

(**) For hot water or Caustic service.

SYMBOL NUMBER	PART NUMBER	QTY	DESCRIPTION
2	08105	1	Slinger Washer
3	22752	1	Adapter
4	21236	8	Cap Screw
5	23063	1	Casing
6	23062-3.25	1	Impeller - 5DF4-1-1/4AI & 35DF4-1-1/4AI
	23062-3.50	1	Impeller - 7DF4-1-1/4AI & 37DF4-1-1/4AI
	23062-3.75	1	Impeller - 10DF4-1-1/4AI & 310DF4-1-1/4AI
7	00158	3	Pipe Plug, 1/8" Steel
8	08514	1	Mechanical Seal - Buna-N (Std)
	09762	1	Mechanical Seal - Viton
	20764-C	1	Mechanical Seal - EPT**
9	21333	1	O-Ring Gasket - Buna-N (Std)
	21546	1	O-Ring Gasket - Viton
	22132	1	O-Ring Gasket - EPT**
10	22751	1	Bracket
11	21181-A	1	Washer - SS
12	21182	1	Screw - SS

CRANE®

PUMPS & SYSTEMS



1 - MOTORS			
RPM & PHASE	PART NUMBER	HP	FRAME SIZE
OPEN DRIP PROOF			
1750 RPM Single Phase (ODP)	21393	1	143JM
	21394	1½	145JM
	21395	2	182JM
	21396	3	184JM
1750 RPM Three Phase (ODP)	21419	1	143JM
	21420	1½	145JM
	21421	2	182JM
	21422	3	184JM
TOTALLY ENCLOSED			
1750 RPM Single Phase (TEFC)	21399	1	143JM
	21400	1½	145JM
	21401	2	182JM
	21402	3	184JM
1750 RPM Three Phase (TEFC)	21426	1	143JM
	21427	1½	145JM
	21428	2	145JM
	21429	3	182JM
EXPLOSION PROOF			
1750 RPM Three Phase (XP)	21433	1	143JM
	21434	1½	145JM
	21435	2	145JM
	21436	3	182JM

SYMBOL NUMBER	PART NUMBER	QTY	DESCRIPTION
DIFFERING PARTS FOR BRONZE FITTED			
7	03289	1	Cap Screw
9	22105-C	1	Washer - Alum. Bronze
11	23064-A	1	Impeller
16	22063-C	1	Shaft Sleeve
DIFFERING PARTS FOR ALL BRONZE			
2	22002-A	1	Adapter
4	01691-A	3	Plug
6	23909-A	1	Casing
7	03289	1	Cap Screw
9	22105-C	1	Washer, Alum. Bronze
11	23064-A	1	Impeller
16	22063-C	1	Shaft Sleeve

(**) For hot water or Caustic service.

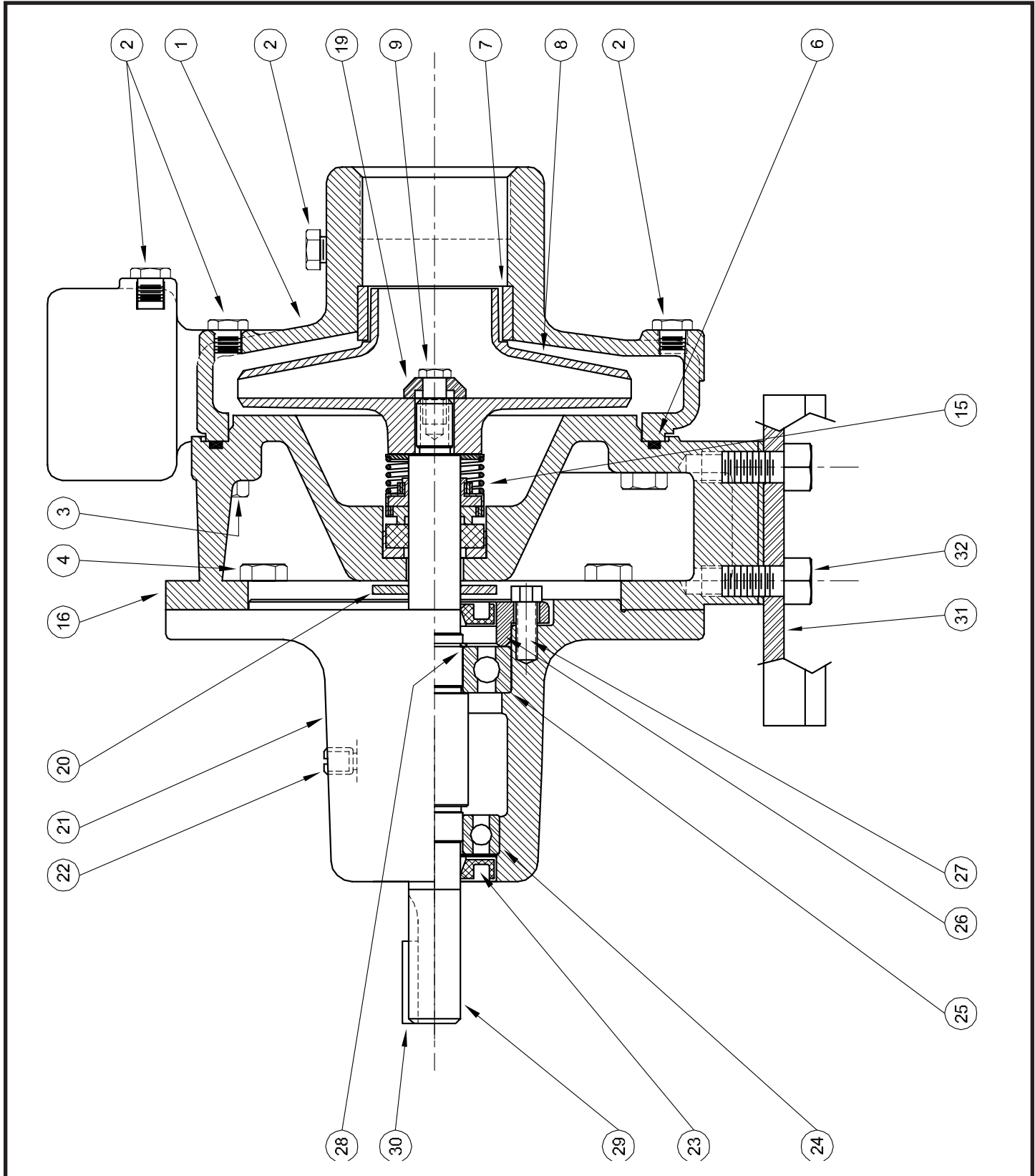
SYMBOL NUMBER	PART NUMBER	QTY	DESCRIPTION
2	22002	1	Adapter
3	09918	1	Slinger Washer
4	23014	1	Key
5	00158	3	Pipe Plug - 1/8"
6	23909	1	Casing
7	1-529-1	1	Cap Screw - SS
8	22080	1	O-Ring Gasket - Buna-N (Std)
	2-31005-012	1	O-Ring Gasket - Viton
	22093	1	O-Ring Gasket - EPDM**
9	22105-A	1	Washer - Steel
10	22083	2	O-Ring Gasket - Buna-N (Std)
	22084	2	O-Ring Gasket - Viton
	22094	2	O-Ring Gasket - EPT**
11	23064-4.88	1	Impeller - 104DF6-2-1/2AI & 3104DF6-2-1/2AI
	23064-5.44	1	Impeller - 154DF6-2-1/2AI & 3154DF6-2-1/2AI
	23064-5.81	1	Impeller - 204DF6-2-1/2AI & 3204DF6-2-1/2AI
	23064-6.25	1	Impeller - 304DF6-2-1/2AI & 3304DF6-2-1/2AI
12	2-31003-166	1	O-Ring Gasket - Buna-N (Std)
	2-31005-166	1	O-Ring Gasket - Viton
	22098	1	O-Ring Gasket - EPT**
13	23905	4	Stud
	23906	4	Hex Nut
14	21236	4	Cap Screw
15	09917	1	Mechanical Seal - Buna-N (Std)
	09926	1	Mechanical Seal - Viton
	21271	1	Mechanical Seal - EPT**
16	22063-A	1	Shaft Sleeve - SS

CRANE[®]

PUMPS & SYSTEMS

SECTION CCCP
PAGE 39
DATE 2/05

Centrifugals - Base Mounted



SECTION CBMP
PAGE 40
DATE 2/05

CRANE[®]

A Crane Co. Company

PUMPS & SYSTEMS

USA: (937) 778-8947 • Canada: (905) 457-6223 • International: (937) 615-3598

SYMBOL NUMBER	PART NUMBER	QTY	DESCRIPTION
DIFFERING PARTS FOR ALL BRONZE CONSTRUCTION			
++ 1	22148-A	1	Casing Assy - GNA5-1-1/4
	22149-A	1	Casing Assy - GNA6-1-1/4
3	03288	4	Cap Screw
4	03122-A	4	Cap Screw
16	09630-A	1	Adapter - GNA5-1-1/4
19	09657-A	1	Adapter - GNA6-1-1/4
32	03289	2	Cap Screw
33	20056	2	Washer
DIFFERING PARTS FOR ALL IRON CONSTRUCTION			
++ 1	22148-B	1	Casing Assy - GNA5-1-1/4
	22149-B	1	Casing Assy - GNA6-1-1/4
2	00158	5	Pipe Plug - 1/8"
7	09632-C	1	Wear Ring
* 8	09680-C	1	Impeller - GNA5-1-1/4
	09680-C	1	Impeller - GNA6-1-1/4
	21181-A	1	Washer - SS
DIFFERING PARTS FOR ALL GNA5-1-1/4 SS CONSTRUCTION			
++ 1	09633-B	1	Casing Assy
2	01691-B	5	Plug
4	03122-B	4	Cap Screw
5	04235-A	4	Cap Screw
6	23023	1	O-Ring - Buna-N (Std.)
	21021	1	O-Ring - Viton
7	09632-B	1	Wear Ring
* 8	09680-B	1	Impeller
16	09630-B	1	Adapter
19	21181-A	1	Washer
32	1-529-1	2	Cap Screw
33	20056	2	Washer

(*) Specific impeller diameter is identified by the last 3 digits of the Pump Catalog Number. To order correct impeller, this 3 digit suffix must be added to basic impeller number listed above. EXAMPLE: For Pump Catalog No. GNA5-1-1/4-4.50, Order Impeller Part No. 09680-4.50.

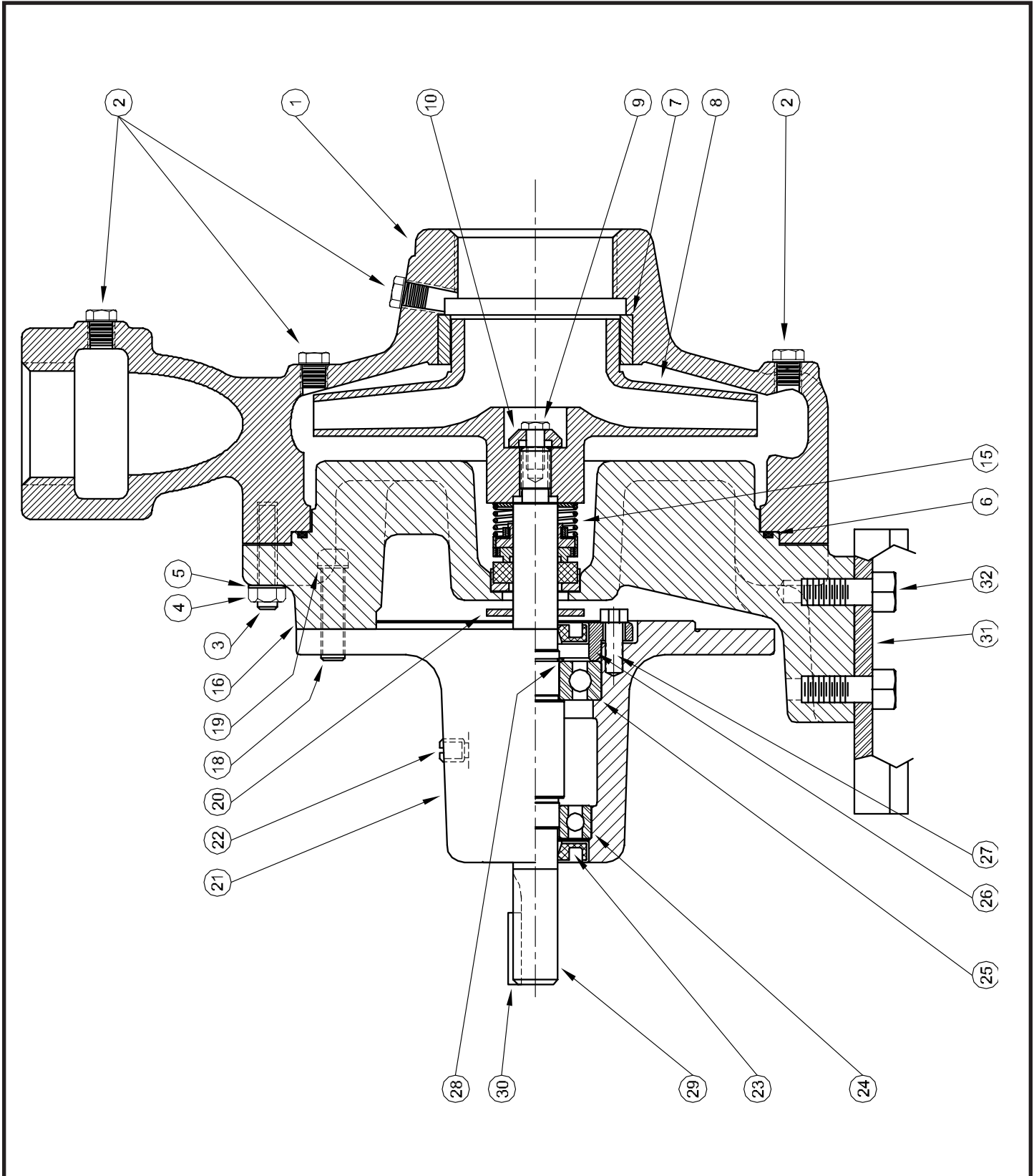
(**) For hot water or Caustic service.

(+) Series GNA5-1-1/4 and GNA6-1-1/4 pumps have been manufactured with either flat or O-ring type gaskets. Determine which type is required before ordering. When in doubt, order flat gaskets.

(++) Includes Symbols 2 & 7.

SYMBOL NUMBER	PART NUMBER	QTY	DESCRIPTION
++ 1	22148	1	Casing Assy - GNA5-1-1/4
	22149	1	Casing Assy - GNA6-1-1/4
2	01691-A	5	Plug - 1/8" Pipe
3	04235	4	Cap Screw
4	03122	4	Cap Screw
	09634	1	Flat Gasket - GNA5-1-1/4
	08507	1	Flat Gasket - GNA6-1-1/4
GNA5-1-1/4 PUMP SERIES			
+ 6	21333	1	O-Ring Gasket - Buna-N (Std)
	21546	1	O-Ring Gasket - Viton
	22132	1	O-Ring Gasket - EPT**
	22058	1	O-Ring Gasket - Teflon
GNA6-1-1/4 PUMP SERIES			
	22021	1	O-Ring Gasket - Buna-N (Std)
	22020	1	O-Ring Gasket - Viton
	22133	1	O-Ring Gasket - EPT**
	22102	1	O-Ring Gasket - Teflon
7	09632-D	1	Wear Ring
* 8	09680	1	Impeller - GNA5-1-1/4
	09680	1	Impeller - GNA6-1-1/4
9	21182	1	Screw
15	08514	1	Mechanical Seal - Buna-N (Std)
	09762	1	Mechanical Seal - Viton
	20764	1	Mechanical Seal - EPT**
16	09630	1	Adapter - GNA5-1-1/4
	09657	1	Adapter - GNA6-1-1/4
19	21181-C	1	Washer
20	08105	1	Slinger Washer
21	20972	1	Bearing Housing
22	01691	1	Plug
23	20997	2	Seal
24	00629	1	Bearing - outboard
25	21000	1	Bearing - inboard
26	20973	1	Cover, Inboard Bearing
27	03121	2	Screw
28	085326	1	Retaining Ring
29	20974	1	Shaft
30	01420	1	Key
31	21060	1	Base
32	01928	2	Cap Screw
33	03503	2	Washer
	21061	1	Power Frame Assy. (Includes Symbol Numbers 20 thru 30)

Centrifugals - Base Mounted



SECTION CBMP
PAGE 42
DATE 2/05

CRANE[®]

A Crane Co. Company

PUMPS & SYSTEMS

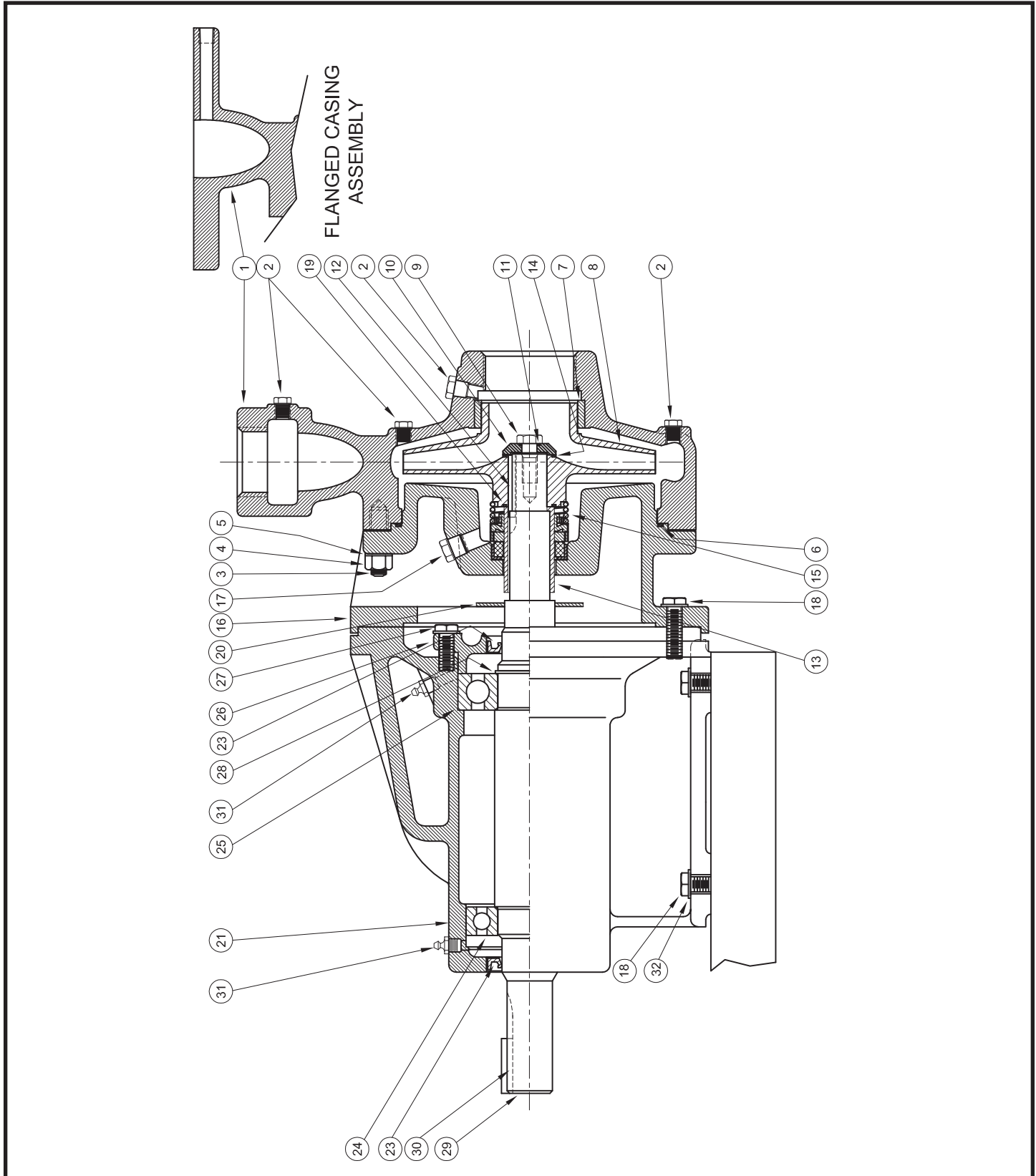
USA: (937) 778-8947 • Canada: (905) 457-6223 • International: (937) 615-3598

SYMBOL NUMBER	PART NUMBER	QTY	DESCRIPTION
DIFFERING PARTS FOR ALL BRONZE CONSTRUCTION			
++ 1	22150-A	1	Casing Assy
4	05536	8	Nut
5	01609-B	8	Washer
16	20588-A	1	Adapter
32	03289	2	Cap Screw
33	20056	2	Washer
DIFFERING PARTS FOR ALL IRON CONSTRUCTION			
++ 1	22150-B	1	Casing Assy
2	00158	6	Pipe Plug - 1/8"
7	09915-A	1	Wear Ring
* 8	20975-A	1	Impeller
10	21181-A	1	Washer - SS

- (*) Specific impeller diameter is identified by the last 3 digits of the Pump Catalog Number. To order correct impeller, this 3 digit suffix must be added to basic impeller number listed above. EXAMPLE: For Pump Catalog No. GNA6-1-1/2-5.25, Order Impeller Part No. 20975-5.25.
- (**) For hot water or Caustic service.
- (+) Series GNA6-1-1/2 pumps have been manufactured with either flat or O-ring type gaskets. Standardize on flat gaskets.
- (++) Includes Symbols 2, 3 & 7.
- (†) Item 19 is no longer available. Items 18 & 19 are replaced by 136687 which is a bolt with a viton gasket - max. temp. is 400°F! **DO NOT use on MJK models, consult Engineering before using on MJ models.**

SYMBOL NUMBER	PART NUMBER	QTY	DESCRIPTION
++ 1	22150	1	Casing Assy
2	01691-A	6	Plug - 1/8" Pipe - Bronze
3	03075	8	Stud
4	15-23-6	8	Nut
5	01609-A	8	Washer
+ 6	09916	1	Flat Gasket +
7	09915	1	Wear Ring
* 8	20975	1	Impeller
9	21182	1	Screw - SS
10	21181-C	1	Washer - Bronze
15	08514	1	Mechanical Seal - Buna-N (Std)
	09762	1	Mechanical Seal - Viton
	20764	1	Mechanical Seal - EPT**
16	20588	1	Adapter
† 18	20607-A	4	Screw
† 19	08990	1	Gasket
20	08105	1	Slinger Washer
21	20972	1	Bearing Housing
22	01691	1	Plug
23	20997	2	Seal
24	00629	1	Bearing - outboard
25	21000	1	Bearing - inboard
26	20973	1	Cover, Inboard Bearing
27	03121	2	Screw
28	085326	1	Retaining Ring
29	20974	1	Shaft
30	01420	1	Key
31	21060	1	Base
32	01928	2	Cap Screw
33	03503	2	Washer
	21061	1	Power Frame Assy. (Includes Symbol Numbers 20 thru 30)

Centrifugals - Base Mounted



SYMBOL NUMBER	PART NUMBER	QTY	DESCRIPTION
++ 8	09928	1	Impeller - GNB6-1-1/2
	09929	1	Impeller - GNB6-2
	20678	1	Impeller - GNB6-2-1/2
	20420	1	Impeller - GNB7-2
	20421	1	Impeller - GNB7A-2
	21087-1	1	Impeller - GNB7-2-1/2
	20427	1	Impeller - GNB9-1-1/2
	21172-1	1	Impeller - GNB9-2
	21203-1	1	Impeller - GNB9-2-1/2
	21557-1	1	Impeller - GNB9-3F
9	1-529-1	1	Cap Screw - SS
10	22105-C	1	Washer - Bronze
11	22080	1	O-Ring Gasket - Buna-N (Std)
	2-31005-012	1	O-Ring Gasket - Viton
	22093	1	O-Ring Gasket - EPT**
12	22082	1	O-Ring Gasket - Teflon
	13	23014	1
+ 14	22063-C	1	Shaft Sleeve - Bronze
	09933	1	Flat Gasket +
	22083	1	O-Ring Gasket - Buna-N (Std)
	22084	1	O-Ring Gasket - Viton
	22094	1	O-Ring Gasket - EPT**
15	22085	1	O-Ring Gasket - Teflon
	09917	1	Mechanical Seal - Buna-N (Std)
	09926	1	Mechanical Seal - Viton
	21271	1	Mechanical Seal - EPT**
16	09920	1	Adapter - GNB6
	20419	1	Adapter - GNB7
	20431	1	Adapter Assy ♦ - GNB9
17	04236	1	Pipe Plug 1/4" - Bronze
	18	1-68-6	8

"CONTINUED ON NEXT PAGE"

(*) Casing Assy. include Symbol Numbers 2, 3 & 7.

(**) For hot water or Caustic service.

(+) Series GNB pumps have been manufactured with either flat or O-ring type gaskets. Determine which type is required before ordering. When in doubt, order flat gaskets.

(++) Specific impeller diameter is identified by the last 3 digits of the Pump Catalog Number. To order correct impeller, this 3 digit suffix must be added to basic impeller number listed above. EXAMPLE: For Pump Catalog No. GNAB6-1-1/2-5.25, order impeller Part No. 09928-5.25

(♦) Adapter Assy. includes symbol number 7.

SYMBOL NUMBER	PART NUMBER	QTY	DESCRIPTION	
* 1	22150	1	Casing Assy - GNB6-1-1/2	
	22151	1	Casing Assy - GNB6-2	
	22269	1	Casing Assy - GNB6-2F (Flanged)	
	22152	1	Casing Assy - GNB6-2-1/2	
	22270	1	Casing Assy - GNB6-2-1/2F (Flanged)	
	22153	1	Casing Assy - GNB7-2 & 7A-2	
	22271	1	Casing Assy - GNB7-2F & 7A-2F (Flanged)	
	22154	1	Casing Assy - GNB7-2-1/2	
	22272	1	Casing Assy - GNB7-2-1/2F (Flanged)	
	22155	1	Casing Assy - GNB9-1-1/2	
	22156	1	Casing Assy - GNB9-2	
	22273	1	Casing Assy - GNB9-2F (Flanged)	
	22157	1	Casing Assy - GNB9-2-1/2	
	22274	1	Casing Assy - GNB9-2-1/2F (Flanged)	
	22275	1	Casing Assy - GNB9-3F (Flanged)	
	2	01691-A	6	Pipe Plug - 1/8" Bronze
	3	03075	8	Stud - GNB6
	4	20424	8/12	Stud - GNB7/GNB9
15-23-6		8	Nut - GNB6	
5	15-6-6	8/12	Nut - GNB7/GNB9	
	01609-A	8	Washer - GNB6	
	20059	8/12	Washer - GNB7/GNB9	
GNB6 PUMP SERIES				
+ 6	09916	1	Flat Gasket +	
	22099	1	O-Ring Gasket - Buna-N (Std)	
	23000	1	O-Ring Gasket - Viton	
	23001	1	O-Ring Gasket - EPT**	
	23002	1	O-Ring Gasket - Teflon	
	GNB7 PUMP SERIES			
	20418	1	Flat Gasket +	
	125857-200	1	O-Ring Gasket - Buna-N (Std)	
	23004	1	O-Ring Gasket - Viton	
	23005	1	O-Ring Gasket - EPT**	
	23006	1	O-Ring Gasket - Teflon	
	GNB9 PUMP SERIES			
20425	1	Flat Gasket +		
23007	1	O-Ring Gasket - Buna-N (Std)		
23008	1	O-Ring Gasket - Viton		
23009	1	O-Ring Gasket - EPT**		
23010	1	O-Ring Gasket - Teflon		
7	09915	1	Wear Ring - GNB6-1-1/2, 7-2, 7A-2, 9-1-1/2	
	09923-E	1	Wear Ring - GNB6-2, GNB9-2	
	20680	1	Wear Ring - GNB6-2-1/2, 7-2-1/2, 9-2-1/2	
	21315	1	Wear Ring - GNB9-3F	

SYMBOL NUMBER	PART NUMBER	QTY	DESCRIPTION
DIFFERING PARTS FOR ALL IRON CONSTRUCTION			
* 1	22150-B	1	Casing Assy - GNB6-1-1/2
	22151-B	1	Casing Assy - GNB6-2
	22269-B	1	Casing Assy - GNB6-2F (Flanged)
	22152-B	1	Casing Assy - GNB6-2-1/2
	22270-B	1	Casing Assy - GNB6-2-1/2F (Flanged)
	22153-B	1	Casing Assy - GNB7-2 & 7A-2
	22271-B	1	Casing Assy - GNB7-2F & 7A-2F (Flanged)
	22154-B	1	Casing Assy - GNB7-2-1/2
	22272-B	1	Casing Assy - GNB7-2-1/2F (Flanged)
	22155-B	1	Casing Assy - GNB9-1-1/2
	22156-B	1	Casing Assy - GNB9-2
	22273-B	1	Casing Assy - GNB9-2F (Flanged)
2	22157-B	1	Casing Assy - GNB9-2-1/2
	22274-B	1	Casing Assy - GNB9-2-1/2F (Flanged)
	22275-B	1	Casing Assy - GNB9-3F (Flanged)
	00158	6	Pipe Plug 1/8" - Steel
7	09915-A	1	Wear Ring, Steel - GNB6-1-1/2, 7-2. 7A-2
	09915-A	2	Wear Ring, Steel - GNB9-1-1/2
	09923-A	1	Wear Ring, Steel - GNB6-2, 9-2
	20680-A	1	Wear Ring, Steel - GNB6-2-1/2, 7-2-1/2 & 9-2-1/2
	21315-A	1	Wear Ring, Steel - GNB9-3F
++ 8	09928-A	1	Impeller, Iron - GNB6-1-1/2
	09929-A	1	Impeller, Iron - GNB6-2
	20678-A	1	Impeller, Iron - GNB6-2-1/2
	20420-A	1	Impeller, Iron - GNB7-2
	20421-A	1	Impeller, Iron - GNB7A-2
	21087-A-1	1	Impeller, Iron - GNB7-2-1/2
	20427-A	1	Impeller, Iron - GNB9-1-1/2
	21172-A-1	1	Impeller, Iron - GNB9-2
	21203-A-1	1	Impeller, Iron - GNB9-2-1/2
	21557-A-1	1	Impeller, Iron - GNB9-3F
10	22105-A	1	Washer - Steel
13	22063-A	1	Shaft Sleeve - SS
16	20431-B	1	Adapter Assy ♦ - GNB9-1-1/2
17	04236-A	1	Pipe Plug 1/4" - SS

(*) Casing Assy. include Symbol Numbers 2, 3 & 7.

(**) For hot water or Caustic service.

(+) Series GNB pumps have been manufactured with either flat or O-ring type gaskets. Determine which type is required before ordering. When in doubt, order flat gaskets.

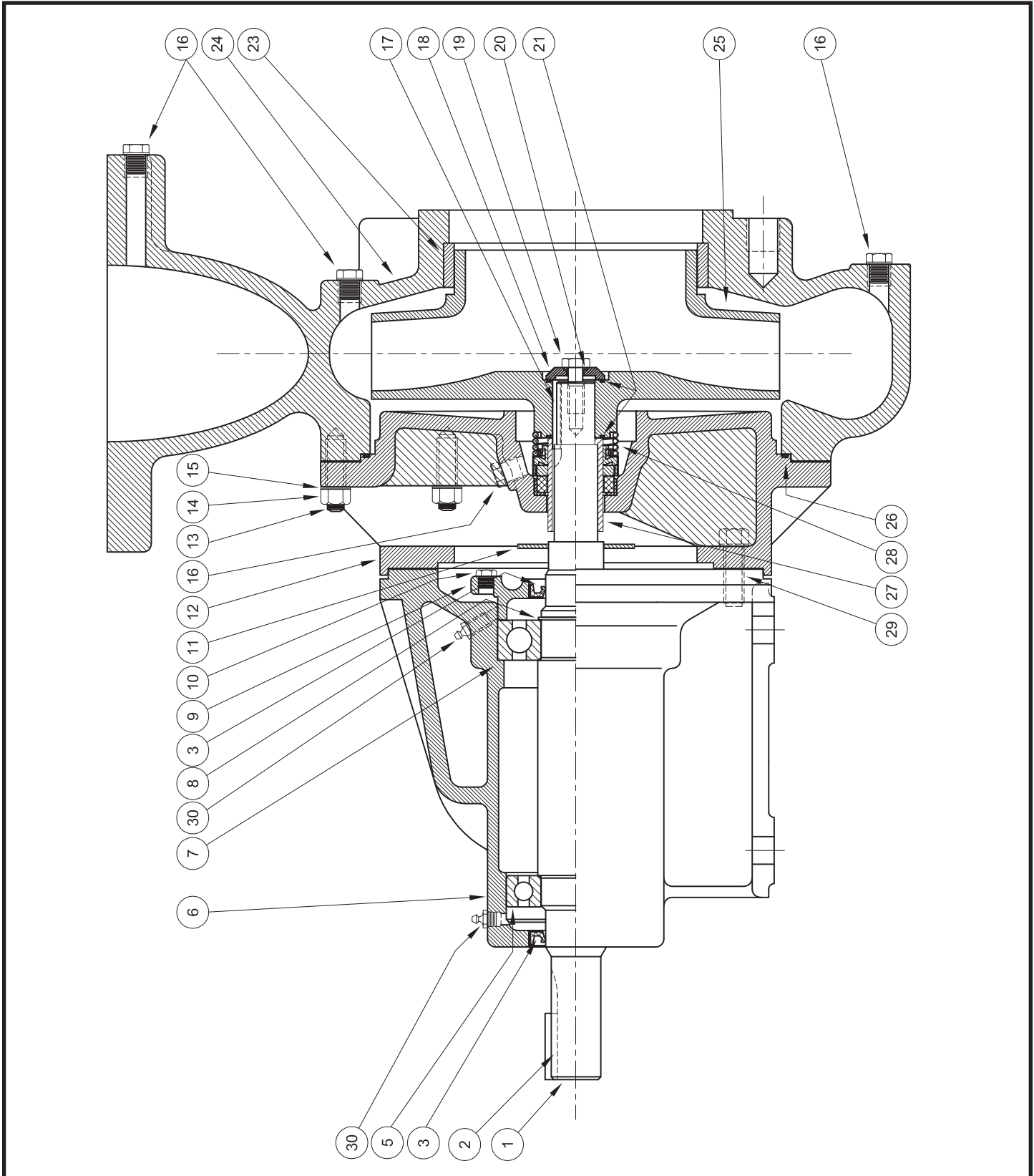
(++) Specific impeller diameter is identified by the last 3 digits of the Pump Catalog Number. To order correct impeller, this 3 digit suffix must be added to basic impeller number listed above. EXAMPLE: For Pump Catalog No. GNAB6-1-1/2-5.25, order impeller Part No. 09928-5.25

(♦) Adapter Assy. includes symbol number 7.

SYMBOL NUMBER	PART NUMBER	QTY	DESCRIPTION
+ 19	09911	1	Flat Gasket +
	22083	1	O-Ring Gasket - Buna-N (Std)
	22084	1	O-Ring Gasket - Viton
	22094	1	O-Ring Gasket - EPT**
	22085	1	O-Ring Gasket - Teflon
20	09918	1	Slinger Washer
21	20967	1	Bearing Housing
23	20998	2	Seal
24	21001	1	Bearing, Outboard
25	052935	1	Bearing, Inboard
26	20968	1	Cover, Inboard Bearing
27	1-156-6	2	Cap Screw
28	030650	1	Retaining Ring
29	20977	1	Shaft
30	03234	1	Key
31	0003131	2	Grease Fitting
32	03249	4	Washer
	21062	1	Power Frame Assy. (Includes Symbol No. 20 thru 31)
DIFFERING PARTS FOR ALL BRONZE CONSTRUCTION			
* 1	22150-A	1	Casing Assy - GNB6-1-1/2
	22151-A	1	Casing Assy - GNB6-2
	22269-A	1	Casing Assy - GNB6-2F (Flanged)
	22152-A	1	Casing Assy - GNB6-2-1/2
	22270-A	1	Casing Assy - GNB6-2-1/2F (Flanged)
	22153-A	1	Casing Assy - GNB7-2 & 7A-2
	22271-A	1	Casing Assy - GNB7-2F & 7A-2F (Flanged)
	22154-A	1	Casing Assy - GNB7-2-1/2
	22272-A	1	Casing Assy - GNB7-2-1/2F (Flanged)
	22155-A	1	Casing Assy - GNB9-1-1/2
	22156-A	1	Casing Assy - GNB9-2
	22273-A	1	Casing Assy - GNB9-2F (Flanged)
	22157-A	1	Casing Assy - GNB9-2-1/2
	22274-A	1	Casing Assy - GNB9-2-1/2F (Flanged)
	22275-A	1	Casing Assy - GNB9-3F (Flanged)
4	03160-A	12	Nut - GNB7 & GNB9
	05536	8	Nut - GNB6
5	01609-B	8	Washer - GNB6
9	03289	1	Cap Screw - Bronze
16	09920-B	1	Adapter - GNB6
	20419-B	1	Adapter - GNB7
	20431-A	1	Adapter Assy. ♦ - GNB9
	22845	1	Adapter - GNB-GA7 Series
18	01638-B	8	Cap Screw

This Page Intentionally Left Blank

Centrifugals - Base Mounted



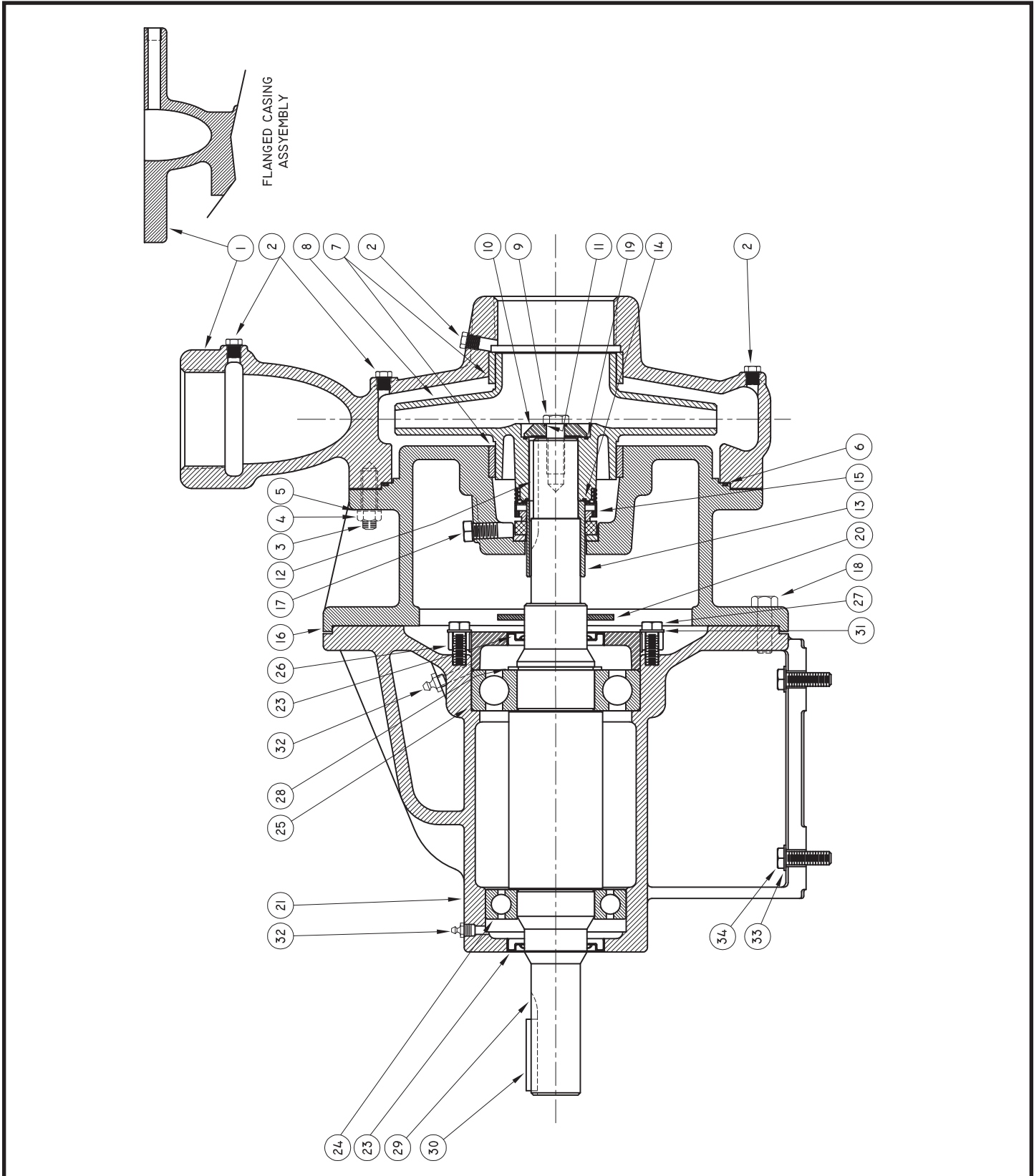
SYMBOL NUMBER	PART NUMBER	QTY	DESCRIPTION
26	23007	1	O-Ring Gasket - Buna-N (Std)
	23008	1	O-Ring Gasket - Viton
	23009	1	O-Ring Gasket - EPT**
	23010	1	O-Ring Gasket - Teflon
27	22063-C	1	Shaft Sleeve - Bronze
28	09917	1	Mechanical Seal - Buna-N (Std)
	09926	1	Mechanical Seal - Viton
	21271	1	Mechanical Seal - EPT**
29	1-68-6	4	Cap Screw, 1/2-13 x 1/4" Lg
	21062	1	Power Frame Assy. (Includes Symbols 1-11)
30	0003131	2	Grease Fitting
DIFFERING PARTS FOR ALL BRONZE CONSTRUCTION			
12	20431-A-1	12	Nut
14	03160-A	1	Adapter - Bronze
19	03289	1	Cap Screw, 3/8-16 x 1" Lg - Bronze
* 24	23383-A	1	Casing Assy, Bronze w/Bronze Wear Ring
29	01638-B	4	Cap Screw
DIFFERING PARTS FOR ALL IRON CONSTRUCTION			
16	04236-A	6	Pipe Plug, 1/4-18 NPT - SS
18	22105-A	1	Washer - Steel
23	23382-A	1	Wear Ring - Steel
* 24	23383-B	1	Casing Assy, Iron w/steel wear ring
25	23384-A	1	Impeller - Iron
27	22063-A	1	Shaft Sleeve - SS

(*) Casing Assy. 23383, -A, -B are complete casing assemblies consisting of symbols 13, 16, 23 & 24.

(**) For hot water or Caustic service.

SYMBOL NUMBER	PART NUMBER	QTY	DESCRIPTION
1	20977	1	Shaft
2	03234	1	Key, 1/4" Sq x 1 1/4" Lg
3	20998	2	Seal
5	21001	1	Outboard Bearing
6	20967	1	Bearing Housing
7	052935	1	Inboard Bearing
8	030650	1	Retaining Ring
9	20968	1	Cover, Inboard Bearing
10	1-156-6	2	Cap Screw 5/16-18 x 1" Lg
11	09918	1	Slinger Washer
12	20431-1	1	Adapter, Iron
13	20424	12	Stud, 1/2-13 x 2" Lg
14	15-6-6	12	Nut, 1/2-13
15	20059	12	Washer
16	04236	6	Plug, 1/4-18 NPT - Bronze
17	23014	1	Key, 3/16 Sq x 1 1/2" Lg
18	22105-C	1	Washer - Bronze
19	1-529-1	1	Cap Screw, 3/8-16 x 1" Lg, SS
20	22080	1	O-Ring Gasket - Buna-N (Std)
	2-31005-012	1	O-Ring Gasket - Viton
	22093	1	O-Ring Gasket - EPT**
	22082	1	O-Ring Gasket - Teflon
21	22083	2	O-Ring Gasket - Buna-N (Std)
	22084	2	O-Ring Gasket - Viton
	22094	2	O-Ring Gasket - EPT**
	22085	2	O-Ring Gasket - Teflon
	23	23382	1
* 24	23383	1	Casing Assy, Iron w/Bronze Wear Ring
25	23384	1	Impeller - Bronze

Centrifugals - Base Mounted



SYMBOL NUMBER	PART NUMBER	QTY	DESCRIPTION
16	21310	1	Adapter Assy ♦ - GNC7-2-1/2
	21174	1	Adapter - GNC9-2
	21174-1	1	Adapter ♦ - GNC9-2-1/2
	21349	1	Adapter ♦ - GNC9-3F
17	04236	1	Pipe Plug 1/4" - Bronze
18	Q15-4-E26	4	Cap Screw
+ 19	21090	1	Flat Gasket +
	22140	1	O-Ring Gasket - Buna-N (Std)
	22141	1	O-Ring Gasket - Viton
	22143	1	O-Ring Gasket - EPT**
	22142	1	O-Ring Gasket - Teflon
20	21093	1	Slinger Washer
21	21275	1	Bearing Housing
23	21278	2	Seal
24	21280	1	Outboard Bearing
25	21279	1	Inboard Bearing
26	21276	1	Cover, Inboard Bearing
27	04235	2	Cap Screw
28	21281	1	Retaining Ring
29	21277	1	Shaft
30	21286	1	Key
31	01609-A	2	Washer
32	0003131	2	Grease Fitting
33	03249	4	Washer
34	1-68-6	4	Cap Screw
	21282	1	Power Frame Assy. (Includes Symbols 20-32)

"CONTINUED ON NEXT PAGE"

- (*) Casing Assy. include Symbol Numbers 2, 3 & 7.
- (**) For hot water or Caustic service.
- (+) Series GNC pumps have been manufactured with either flat or O-ring type gaskets. Determine which type is required before ordering. When in doubt, order flat gaskets.
- (++) Specific impeller diameter is identified by the last 3 digits of the Pump Catalog Number. To order correct impeller, this 3 digit suffix must be added to basic impeller number listed above. EXAMPLE: For Pump Catalog No. GNC7-2½-1/2-6.50, order impeller Part No. 21087-6.50.
- (♦) Adapter Assy. includes Symbol number 7.

SYMBOL NUMBER	PART NUMBER	QTY	DESCRIPTION	
1	22154	1	Casing Assy - GNC7-2-1/2	
	22272	1	Casing Assy - GNC7-2-1/2F (Flanged)	
	22156	1	Casing Assy - GNC9-2	
	22273	1	Casing Assy - GNC9-2F (Flanged)	
	22157	1	Casing Assy - GNC9-2-1/2	
	22274	1	Casing Assy - GNC9-2-1/2F (Flanged)	
	22275	1	Casing Assy - GNC9-3F, GNC9A-3F (Flanged)	
2	01691-A	6	Pipe Plug - 1/8" Bronze	
3	20424	8/12	Stud - GNC7 / GNC9	
4	15-6-6	8/12	Nut - GNC7 / GNC9	
5	20059	8/12	Washer - GNC7/ GNC9	
+ 6	GNC7 PUMP SERIES			
	20418	1	Flat Gasket +	
	125857-200	1	O-Ring Gasket - Buna-N (Std)	
	23004	1	O-Ring Gasket - Viton	
	23005	1	O-Ring Gasket - EPT**	
	23006	1	O-Ring Gasket - Teflon	
	GNC9 PUMP SERIES			
	20425	1	Flat Gasket +	
	23007	1	O-Ring Gasket - Buna-N (Std)	
	23008	1	O-Ring Gasket - Viton	
	23009	1	O-Ring Gasket - EPT**	
	23010	1	O-Ring Gasket - Teflon	
	7	20680	2	Wear Ring - GNC7-2-1/2, 9-2-1/2
		09923-E	1	Wear Ring - GNC9-2
21315		2	Wear Ring - GNC9-3F	
++ 8	21087	1	Impeller - GNC7-2-1/2	
	21172	1	Impeller - GNC9-2	
	21203	1	Impeller - GNC9-2-1/2	
	21557	1	Impeller - GNC9-3F	
	23272	1	Impeller - GNC9A-3F	
9	1-68-1	1	Cap Screw - SS	
	22106	1	Washer - Bronze	
11	22086	1	O-Ring Gasket - Buna-N (Std)	
	22087	1	O-Ring Gasket - Viton	
	22095	1	O-Ring Gasket - EPT**	
	22088	1	O-Ring Gasket - Teflon	
12	22107	1	Key	
	22066	1	Shaft Sleeve - Bronze	
+ 14	21092	1	Flat Gasket +	
	22089	1	O-Ring Gasket - Buna-N (Std)	
	22090	1	O-Ring Gasket - Viton	
	22096	1	O-Ring Gasket - EPT**	
	22091	1	O-Ring Gasket - Teflon	
15	21136	1	Mechanical Seal - Buna-N (Std)	
	21189	1	Mechanical Seal - Viton	
	21721	1	Mechanical Seal - EPT**	

SYMBOL NUMBER	PART NUMBER	QTY	DESCRIPTION
+ 8	21087-A	1	Impeller, Iron - GNC7-2-1/2
	21172-A	1	Impeller - GNC9-2
	21203-A	1	Impeller - GNC9-2-1/2
	21557-A	1	Impeller - GNC9-3F
	23272	1	Impeller - GNC9A-3F
	23272-A	1	Impeller - GNC9A-3F
10	22106-A	1	Washer - Steel
13	22066-A	1	Shaft Sleeve - SS
16	21310-B	1	Adapter Assy ♦ - GNC7-2-1/2
	21174-B-1	1	Adapter Assy ♦ - GNC9-2-1/2
17	21349-B	1	Adapter Assy ♦ - GNC9-3F
	04236-A	1	Pipe Plug 1/4" - SS

(*) Casing Assy. include Symbol Numbers 2, 3 & 7.

(**) For hot water or Caustic service.

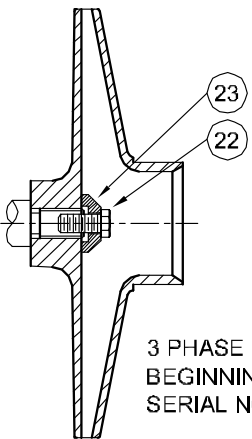
(+) Series GNC pumps have been manufactured with either flat or O-ring type gaskets. Determine which type is required before ordering. When in doubt, order flat gaskets.

(++) Specific impeller diameter is identified by the last 3 digits of the Pump Catalog Number. To order correct impeller, this 3 digit suffix must be added to basic impeller number listed above. EXAMPLE: For Pump Catalog No. GNC7-2-1/2-6.50, order impeller Part No. 21087-6.50.

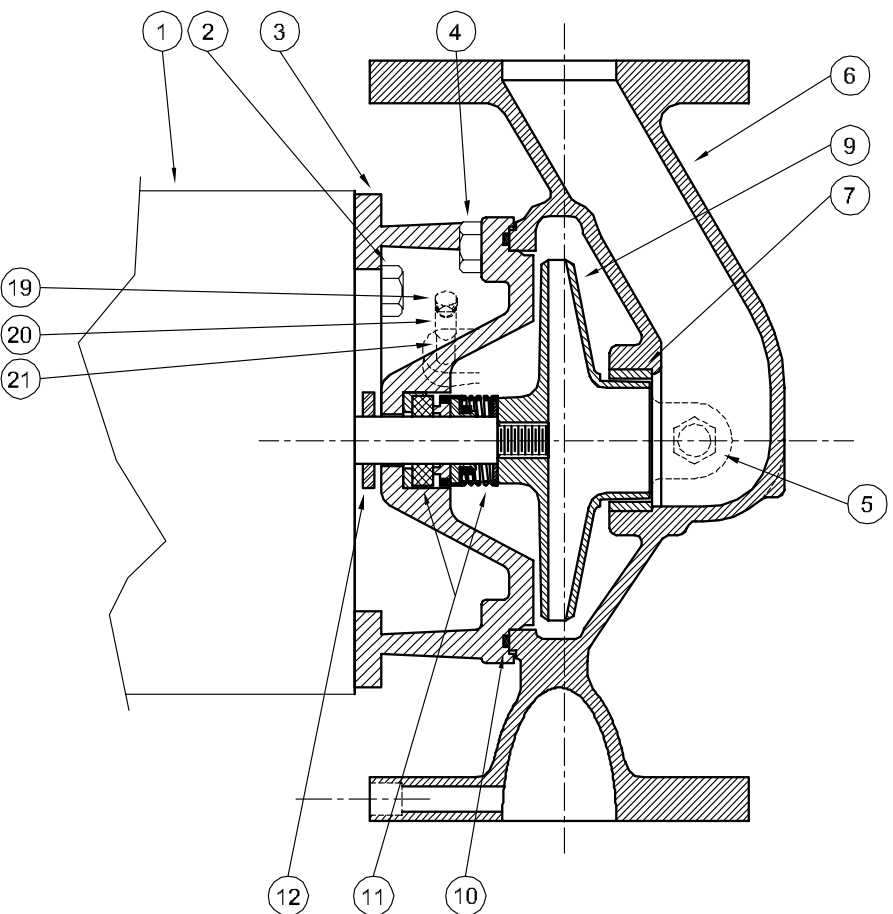
(♦) Adapter Assy. includes Symbol number 7.

SYMBOL NUMBER	PART NUMBER	QTY	DESCRIPTION
DIFFERING PARTS FOR ALL BRONZE CONSTRUCTION			
* 1	22154-A	1	Casing Assy - GNC7-2-1/2
	22272-A	1	Casing Assy - GNC7-2-1/2F (Flanged)
	22156-A	1	Casing Assy - GNC9-2
	22273-A	1	Casing Assy - GNC9-2F (Flanged)
	22157-A	1	Casing Assy - GNC9-2-1/2
	22274-A	1	Casing Assy - GNC9-2-1/2F (Flanged)
	22275-A	1	Casing Assy - GNC9-3F, GNC9A-3F (Flanged)
	4	03160-A	8/12
9	01638-B	1	Cap Screw - Bronze
16	21310-A	1	Adapter Assy ♦ - GNC7-2-1/2
	21174-A	1	Adapter - GNC9-2
	21174-A-1	1	Adapter ♦ - GNC9-2-1/2
	21349-A	1	Adapter ♦ - GNC9-3F
DIFFERING PARTS FOR ALL IRON CONSTRUCTION			
* 1	22154-B	1	Casing Assy - GNC7-2-1/2
	22272-B	1	Casing Assy - GNC7-2-1/2F (Flanged)
	22156-B	1	Casing Assy - GNC9-2
	22273-B	1	Casing Assy - GNC9-2F (Flanged)
	22157-B	1	Casing Assy - GNC9-2-1/2
	22274-B	1	Casing Assy - GNC9-2-1/2F (Flanged)
22275-B	1	Casing Assy - GNC9-3F, GNC9A-3F (Flanged)	
2	00158	6	Pipe Plug, 1/8" - Steel
7	20680-A	2	Wear Ring - GNC7-2-1/2, 9-2-1/2
	09923-A	1	Wear Ring - GNC9-2
	21315-A	2	Wear Ring - GNC9-3F

This Page Intentionally Left Blank



3 PHASE
BEGINNING WITH
SERIAL NO. 950789



1 - MOTORS (All 56J Frame)		
RPM & PHASE	PART NUMBER	HP
OPEN DRIP PROOF		
Single Phase (ODP)	003-211-371-02	1/3
	005-211-371-02	1/2
	007-211-371-02	3/4
	010-211-371-02	1
	015-211-371-02	1½
020-211-371-02	2	
Three Phase (ODP)	003-230-361-02	1/3
	005-230-361-02	1/2
	007-230-361-02	3/4
	010-230-361-02	1
	015-230-361-02	1½
	020-230-361-02	2

SYMBOL NUMBER	PART NUMBER	QTY	DESCRIPTION
12	08105	1	Slinger Washer
19	00158	1	Pipe Plug 1/8"
20	02395	1	Pipe Coupling 1/8"
21	02394	1	Pipe Nipple 1/8"
22	21182	1	Screw - 1/4-28 x 1/2" Lg
23	21181-C	1	Washer
DIFFERING PARTS FOR ALL BRONZE CONSTRUCTION			
2	03122-A	4	Cap Screw
3	09630-D	1	Adapter
4	03288	4	Cap Screw
5	04236	1	Plug
* 6	09882-A	1	Casing Assy. 9882-A
19	01691-A	1	Plug
20	21925	1	Pipe Coupling
21	21926	1	Pipe Nipple

(*) Casing Assy. Include Symbol 7.

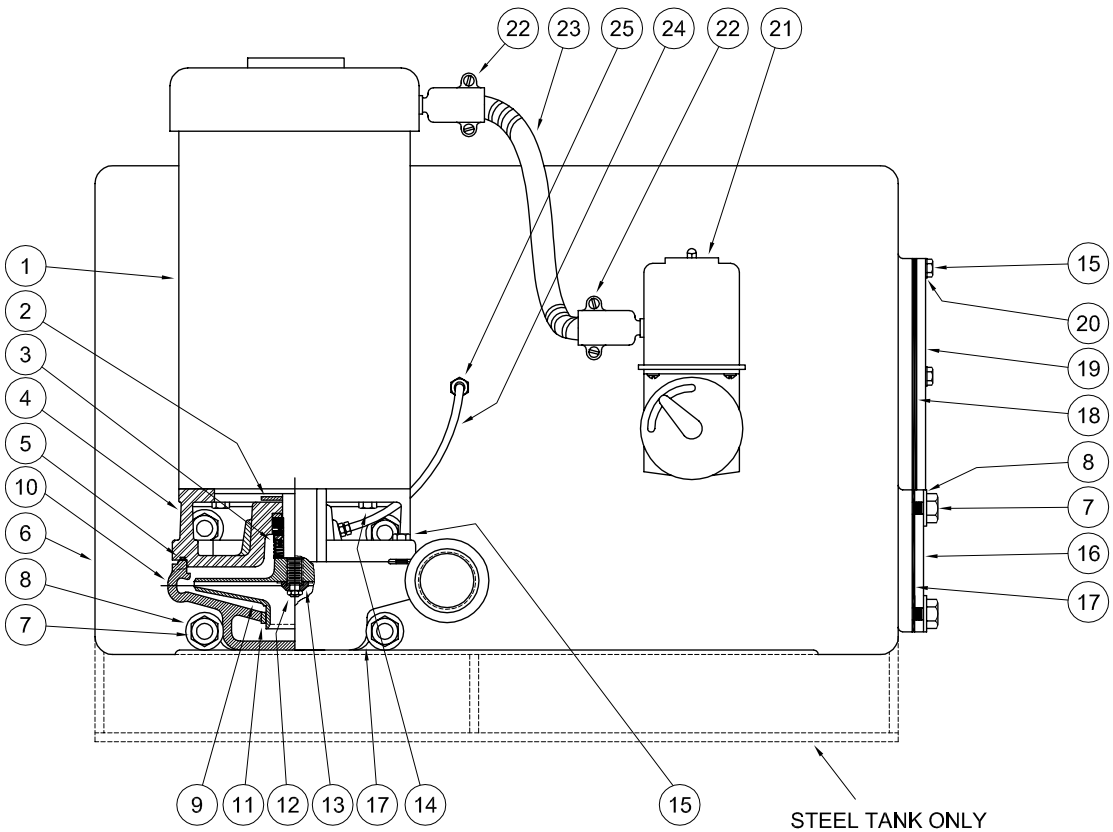
(**) For hot water or Caustic service.

(+) Series GB pumps have been manufactured with either a flat or O-ring type gasket. Determine which type is required before ordering. When in doubt, order flat gasket.

SYMBOL NUMBER	PART NUMBER	QTY	DESCRIPTION
2	03122	4	Cap Screw - 3/8" x 3/4"
3	09630-C	1	Adapter
4	04235	4	Cap Screw - 3/8" x 1 1/4
5	04236-D	1	Pipe Plug 1/4"
* 6	09882	1	Casing Assy
7	09632-D	1	Wear Ring
9	09680-3.25	1	Impeller - 3GB5-1-1/2F
	09680-3.63	1	Impeller - 5GB5-1-1/2F
	09680-4.00	1	Impeller - 7GB5-1-1/2F
	09680-4.25	1	Impeller - 10GB5-1-1/2F
	09680-4.75	1	Impeller - 15GB5-1-1/2F
+ 10	09680-4.97	1	Impeller - 20GB5-1-1/2F
	09634	1	Flat Gasket +
	21333	1	O-Ring Gasket - Buna-N
	21546	1	O-Ring Gasket - Viton
	22132	1	O-Ring Gasket - EPT**
11	22058	1	O-Ring Gasket - Teflon
	08514	1	Mechanical Seal - Buna-N (Std)
	09762	1	Mechanical Seal - Viton
	20764-C	1	Mechanical Seal - EPT**

NOTE: Beginning with Serial No. 950789, all pumps with three-phase motors are equipped with an impeller lock screw and washer as illustrated. All other methods of securing the impeller to the shaft have been discontinued.

If it is necessary to disconnect three phase motor leads while new replacement impeller is installed on any pump prior to serial No. 950789, leads should be tagged to insure correct motor rotation and prevent impeller spin-off.



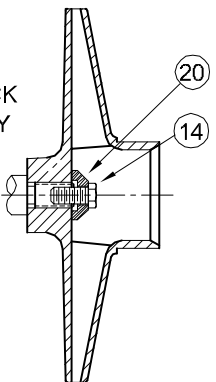
1 - MOTORS (All 56J Frame)		
RPM & PHASE	PART NUMBER	HP
OPEN DRIP PROOF		
3500 RPM Single Phase (ODP)	003-211-371-02	1/3
	005-211-371-02	1/2
	007-211-371-02	3/4
	010-211-371-02	1
	015-211-371-02	1½
	020-211-371-02	2
3500 RPM Three Phase (ODP)	003-230-361-02	1/3
	005-230-361-02	1/2
	007-230-361-02	3/4
	010-230-361-02	1
	015-230-361-02	1½
	020-230-361-02	2
3500 RPM Single Phase (TENV / TEFC)	005-211-372-02	1/2
	007-211-372-02	3/4
	010-211-372-02	1
	015-211-372-02	1½
	020-211-372-02	2
	3500 RPM Three Phase (TENV / TEFC)	005-230-362-02
007-230-362-02		3/4
010-230-362D02		1
015-230-362D02		1½
020-230-362D02		2
030-230-362D02		3
TOTALLY ENCLOSED		
3500 RPM Single Phase (XP)	005-211-374-02	1/2
	007-211-374-02	3/4
	010-211-374-02	1
	015-211-374-02	1½
	020-211-374-02	2
	3500 RPM Three Phase (XP)	005-230-364-02
007-230-364-02		3/4
010-230-364-02		1
015-230-364-02		1½
020-230-364-02		2
030-230-364-02		3

STEEL TANK ONLY

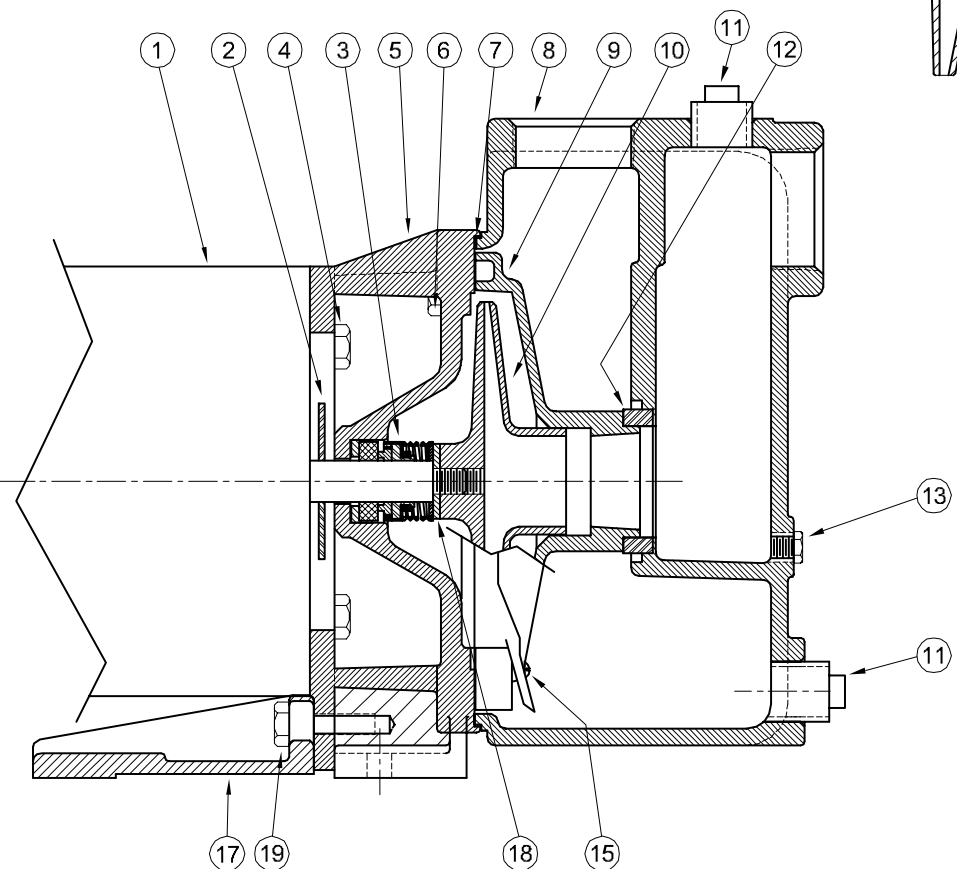
SYMBOL NUMBER	PART NUMBER	QTY	DESCRIPTION		
21	22167	1	Float Switch - Simplex		
	22166	1	Mech. Alternator - Duplex		
	22264	1	Mech. Alternator - Duplex XP		
	22266	1	Float Switch - XP Simplex		
	22265	1	Float Switch - Watertight Simplex		
22	22263	1	Mech. Alternator - Watertight Duplex		
	02313	A/R	Connector, Conduit - Straight		
	01622		Connector, Conduit - 90°		
01623	Connector, Conduit - 45°				
23	S6518	A/R	Conduit (Specify Length)		
			24	22043	Tube
			25	21222	Connector
Not Shown	22334	1	Float		
	B8283-1-E4	1	Plate, Switch - 20 Gal. Tanks		
	B8285-1-L13	1	Gasket, Plate - 20 Gal. Tanks		
	A5670-E4	A/R	Flange - 20 Gal. Tanks		
	A6579-L6	1	Gasket, Flange - 20 Gal Tanks		

SYMBOL NUMBER	PART NUMBER	QTY	DESCRIPTION
2	08105	1	Slinger Washer
3	08514	1	Mechanical Seal - Buna-N
4	09657-1	1	Adapter
5	22021	1	O-ring Gasket - Buna-N
6	22144	1	Receiver Tank - 9 gal, CI
	22145	1	Receiver Tank - 14 gal, CI
	C5555-10-A2	1	Receiver Tank - 20 gal, CI *
	22339	1	Receiver Tank - 23 gal, Steel
	22147	1	Receiver Tank - 36 gal, CI
	22170	1	Receiver Tank - 36 gal, Steel
	22855	1	Receiver Tank - 52 gal, Steel
	22856	1	Receiver Tank - 75 gal, Steel
	22857	1	Receiver Tank - 120 gal, Steel
7	15-13-6	A/R	Nut
8	22234	A/R	Washer
9	09680-3.22	1	Impeller - 3GV6/33GV6
	09680-3.63	1	Impeller - 5GV6/35GV6
	09680-3.88	1	Impeller - 7GV6/37GV6
	09680-4.25	1	Impeller - 10GV6/310GV6
	09680-4.63	1	Impeller - 15GV6/315GV6
	09680-4.88	1	Impeller - 20GV6/320GV6
	09680-5.66	1	Impeller - 30GV6/330GV6
10	22016	1	Casing Assy. (Includes Symbol 11)
11	22019	1	Wear Ring
12	21182	1	Screw, Impeller Lock - 3Ph Only
13	21181-C	1	Washer - 3 Ph
14	03122	4	Cap Screw
15	04235	A/R	Cap Screw
16	22072	1	Cover
17	22018	A/R	Gasket, Pump to Tank
18	04177	1	Gasket - 23 & 36 Gal. Tanks
19	22161	1	Cover - 23 & 36 Gal. Tanks
20	01609-A	6	Washer - 23 & 36 Gal. Tanks

(*) 23 Gal CI Receiver Part Number 22146 No longer Available.



IMPELLER LOCK
3 PHASE ONLY



1 - MOTORS (ALL 56J FRAME)		
RPM & PHASE	PART NUMBER	HP
OPEN DRIP PROOF		
3500 RPM Single Phase (ODP)	010-211-371-02	1
	015-211-371-02	1½
	020-211-371-02	2
	030-215-371-02	3
3500 RPM Three Phase (ODP)	010-230-361-02	1
	015-230-361-02	1½
	020-230-361-02	2
	030-230-361-02	3
TOTALLY ENCLOSED		
3500 RPM Single Phase (TEFC)	010-211-372-02	1
	015-211-372-02	1½
	020-211-372-02	2
3500 RPM Three Phase (TEFC)	010-230-362D02	1
	015-230-362D02	1½
	020-230-362D02	2
	030-230-362D02	3
EXPLOSION PROOF		
3500 RPM Single Phase (XP)	010-211-374-02	1
	015-211-374-02	1½
	020-211-374-02	2
3500 RPM Three Phase (XP)	010-230-364-02	1
	015-230-364-02	1½
	020-230-364-02	2
	030-230-364-02	3

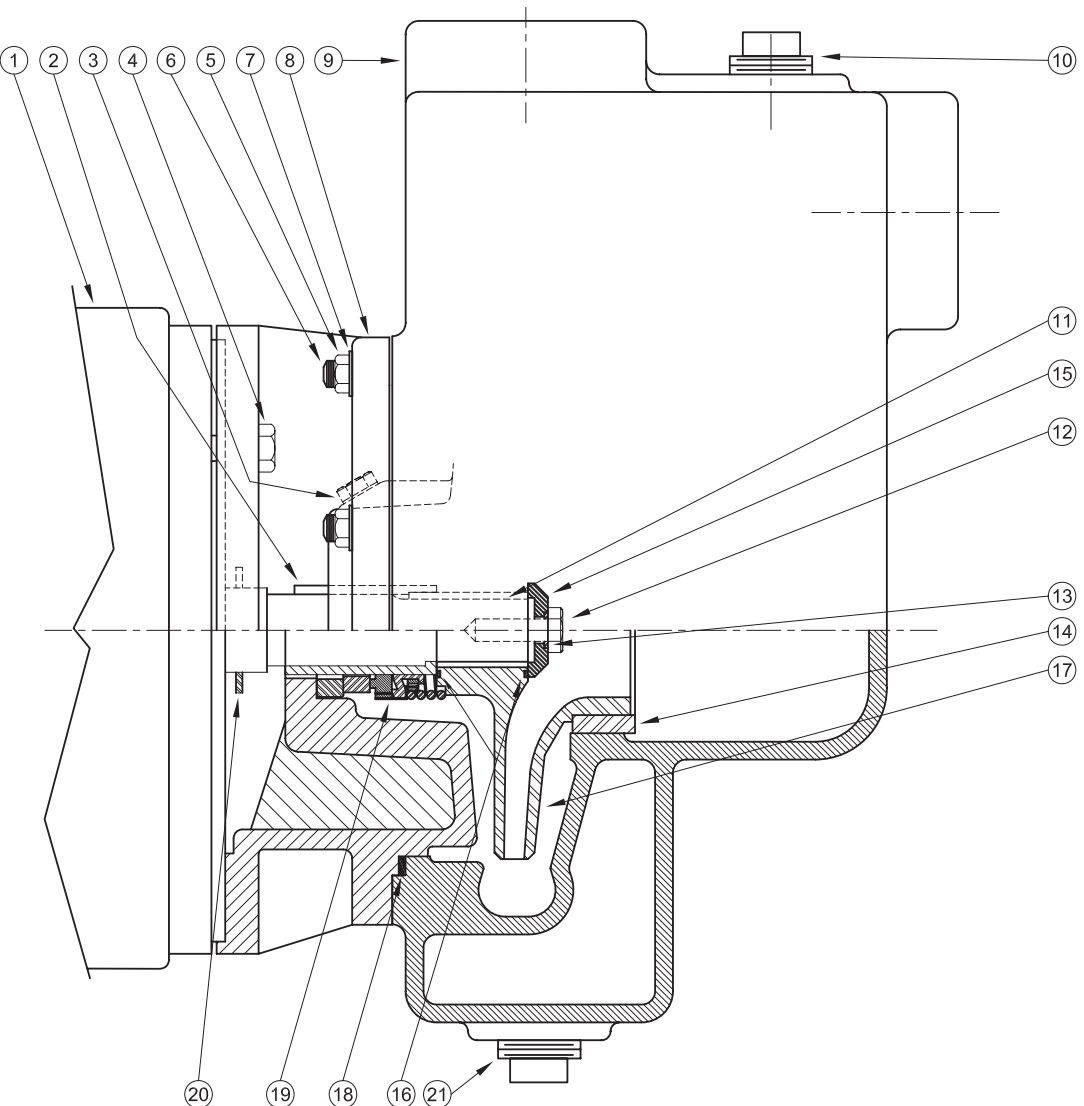
SYMBOL NUMBER	PART NUMBER	QTY	DESCRIPTION
DIFFERING PARTS FOR ALL BRONZE CONSTRUCTION			
4	03122-A	4	Cap Screw, 3/8-16 x 3/4" Lg
5	09740-A	1	Adapter for 10WA6 Only
6	09740-A-1	1	Adapter - All except 10WA6
6	03288	4	Cap Screw, 3/8-16 x 1¼" Lg
8	21123-A	1	Case
9	21124-A	1	Diffuser - All except 10WA6
9	21157-A	1	Diffuser - 10WA6
10	09660-5.44	1	Impeller, 10WA6 - Bronze
	09731-5.66	1	Impeller, 15WA6 - Bronze
	09729-5.66	1	Impeller, 20WA6 - Bronze
	09680-5.66	1	Impeller, 30WA6 - Bronze
11	00947-A	2	Pipe Plug, 3/4" - Brass
DIFFERING PARTS FOR ALL IRON CONSTRUCTION			
10	09660-B-5.44	1	Impeller, 10WA6 - Iron
	09731-B-5.66	1	Impeller, 15WA6 - Iron
	09680-C-1-5.13	1	Impeller, 20WA6 - Iron
	09680-C-1-5.66	1	Impeller, 30WA6 - Iron
13	04236-A	1	Pipe Plug - 1/4" - Iron
18	20628	1	Washer - SS
20	21181-A	1	Washer - SS

(*) WA6 Series pumps have been manufactured with either Noryl or Bronze impellers as standard. All replacement impellers will be Noryl as listed, unless bronze is specified. For bronze impellers, refer to "Differing Parts for All Bronze Construction."

Stock pump catalog numbers shown for 1 phase units. Use same impellers and diffusers for 3 phase units.

SYMBOL NUMBER	PART NUMBER	QTY	DESCRIPTION
2	08105	1	Slinger Washer
3	08514	1	Mechanical Seal - Buna-N (Std)
	09762	1	Mechanical Seal - Viton
	20764-C	1	Mechanical Seal - EPT**
4	03122	4	Cap Screw 3/8-16 x 3/4" Lg
5	09740	1	Adapter for 10WA6 Only
	09740-1	1	Adapter - All except 10WA6
6	04235	4	Cap Screw 3/8-16 x 1¼" Lg
7	08988	1	Gasket
8	21123	1	Case
9	21124	1	Diffuser - All except 10WA6
	21157	1	Diffuser - 10WA6
* 10	21360	1	Impeller, 10WA6 - Noryl
	21361	1	Impeller, 15WA6 - Noryl
	21362	1	Impeller, 20WA6 - Noryl
	21363	1	Impeller, 30WA6 - Noryl
	21360	1	Impeller, T15WA6, X15WA6 - Noryl
	21361	1	Impeller, T20WA6, X20WA6 - Noryl
	21362	1	Impeller, T30WA6, X30WA6 - Noryl
11	00947	2	Pipe Plug
12	04231	1	Suction Sleeve - Buna-N
	09695	1	Suction Sleeve - Viton
	20285	1	Suction Sleeve - EPT
13	04236	1	Pipe Plug, 1/4" Brass
14	21182	1	Lock Screw - 3 Phase, 1HP
	21285	1	Lock Screw - 3 Phase, 1½, 2 & 3HP
15	20101	2	Roll Pin
17	09744	1	Base
18	02029	1	Washer, All except 10WA6
19	21236	1	Cap Screw
20	21181-C	1	Washer - 3 Phase, ALL

Centrifugals - Self-Priming



1 - MOTORS			
RPM & PHASE	PART NUMBER	HP	FRAME SIZE
OPEN DRIP PROOF			
3500 RPM Single Phase (ODP)	09902 21850	5 7½	184JM 213JM
3500 RPM Three Phase (ODP)	09906 09907 09999	5 7½ 10	182JM 184JM 213JM
TOTALLY ENCLOSED			
3500 RPM Three Phase (TEFC)	09950 09951 20000	5 7½ 10	184JM 213JM 215JM
EXPLOSION PROOF			
3500 RPM Three Phase (XP)	09954 09955 20001	5 7½ 10	184JM 213JM 215JM

SECTION C5PP
PAGE 60
DATE 1/09



A Crane Co. Company

PUMPS & SYSTEMS

USA: (937) 778-8947 • Canada: (905) 457-6223 • International: (937) 615-3598

SYMBOL NUMBER	PART NUMBER	QTY	DESCRIPTION
DIFFERING PARTS FOR ALL BRONZE CONSTRUCTION			
8	09912-B	1	Adapter - Bronze, 182-184JM Frames
	09920-B	1	Adapter - Bronze, 213-215JM Frames
* 9	23123-A-1	1	Casing Assy - BRONZE w/Bronze Wear Ring - 5 & 7½HP
	23123-A	1	Casing - Bronze
12	03289	1	Cap Screw, 3/8-16 x 1" Lg - Bronze
DIFFERING PARTS FOR ALL IRON CONSTRUCTION			
2	22063-A	1	Shaft Sleeve - SS
3	04236-A	1	Plug, 1/4-18 NPT - SS
* 9	23123-B-1	1	Casing Assy - Iron w/Steel Wear Ring - 5 & 7½HP
10	26149	1	Plug, 1-11½ NPT, Sq Hd - Iron
14	23265-A	1	Wear Ring - Steel (23123-B-1 Casing Assy)
15	22105-A	1	Washer - Steel, Impeller Retaining
** 17	20420-A-6.06	1	Impeller - Iron, 5HP
	09928-A-6.25	1	Impeller - Iron, 7½HP
	09929-A-6.25	1	Impeller - Iron, 10HP

(*) Casing Assy includes Symbol 14.

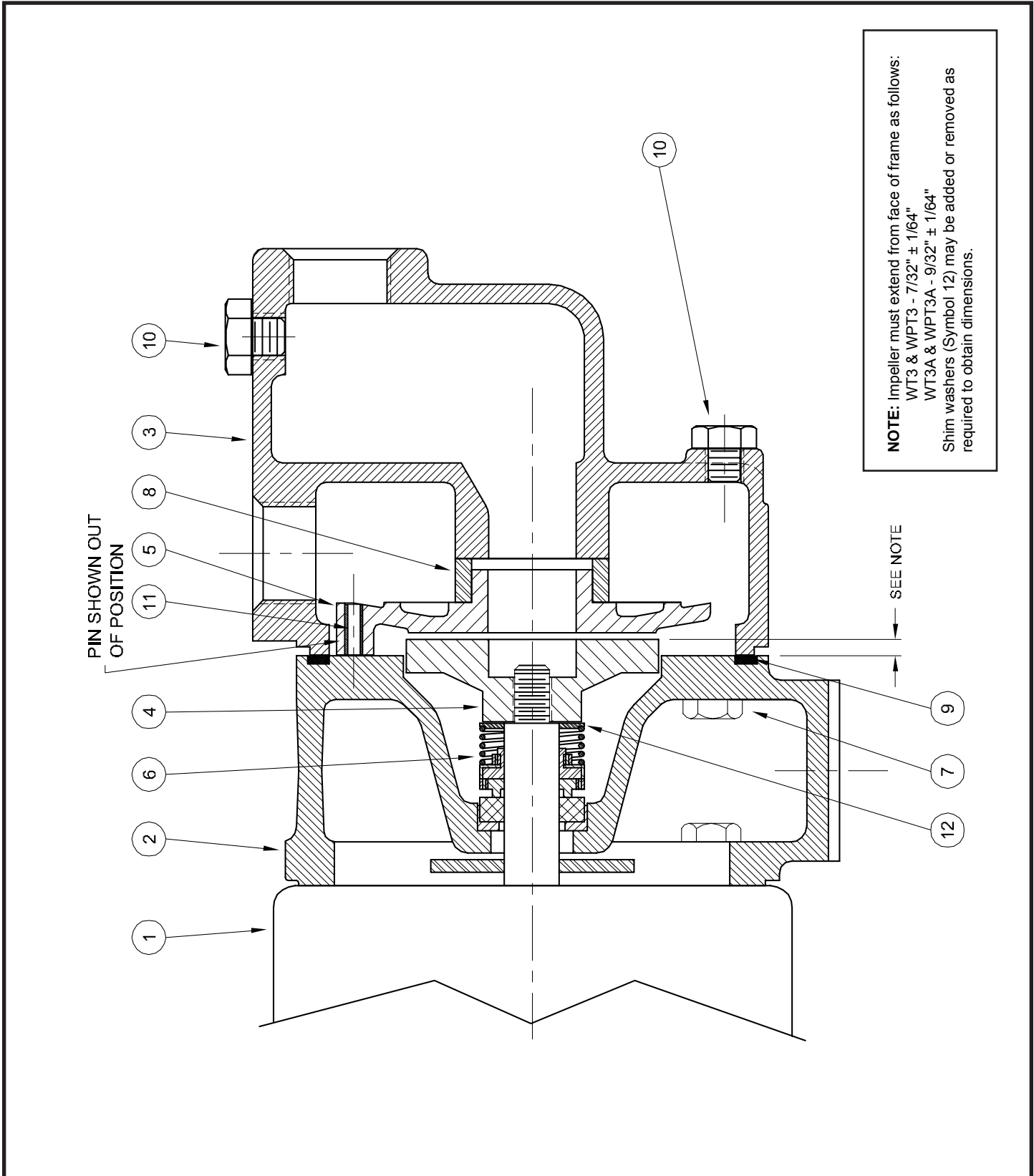
23270-1, -A-1, -B-1 (5 & 7½HP) are complete casing assemblies consisting of symbols 6, 9, 10, 14 & 21.

23270, -A (10HP) are complete casing assemblies consisting of symbols 6, 9, 10 & 21.

(**) Size suffixes same as standard bronze impellers.

SYMBOL NUMBER	PART NUMBER	QTY	DESCRIPTION
2	22063-C	1	Shaft Sleeve - Bronze
3	04236	1	Plug, 1/4-18 NPT - Bronze
4	01928	4	Cap Screw, 3/8-16 x 1" Lg (09912 Adapter)
	1-68-6	4	Cap Screw, 1/2-13 x 1¼" Lg (09920 Adapter)
5	15-23-6	8	Nut, 3/8-16
6	03075	8	Stud, 3/8-16 x 1¼" Lg
7	01609-A	8	Washer
8	09912	1	Adapter - Iron, 182-184JM Frames
	09920	1	Adapter - Iron, 213-215JM Frames
* 9	23123-1	1	Casing Assy - Iron w/Bronze Wear Ring, 5 & 7½HP
	23123	1	Casing Assy - Iron, 10HP
10	02954	1	Plug 1-11½ NPT, Sq Hd - Bronze
11	23014	1	Key, 3/16 Sq x 1½" Lg
12	01928-A	1	Cap Screw, 3/8-16 x 1" Lg - SS
13	22080	1	O-Ring - Buna-N (Std)
	22081	1	O-Ring - Viton
	22082	1	O-Ring - Teflon
	22093	1	O-Ring - EPDM
14	23265	1	Wear Ring - Bronze (23123-1 Casing Assy)
15	22105-C	1	Washer - Bronze, Impeller Retaining
16	22083	2	O-Ring - Buna-N (Std)
	22084	2	O-Ring - Viton
	22085	2	O-Ring - Teflon
	22094	2	O-Ring - EPDM
17	20420-6.06	1	Impeller - Bronze, 5HP
	09928-6.25	1	Impeller - Bronze, 7½HP
	09929-6.25	1	Impeller - Bronze, 10HP
18	22099	1	O-Ring - Buna-N (Std)
	23000	1	O-Ring - Viton
	23002	1	O-Ring - Teflon
	23001	1	O-Ring - EPDM
19	09917	1	Mechanical Seal - Buna-N (Std)
	09926	1	Mecahnical Seal - Viton
	21271	1	Mechanical Seal - EPDM
20	09918	1	Slinger Washer
21	00127	2	Plug, Sq Hd - Iron

Centrifugals - Self-Priming



SYMBOL NUMBER	PART NUMBER	QTY	DESCRIPTION
10	04236	2	Plug, 1/4-18 NPT
11	20101	2	Roll Pin, 3/16x 3/4
12	20294	A/R	Shim Washer - .010"
	08542-A	A/R	Shim Washer - .031"
	20628	A/R	Shim Washer - .062"
Not Shown	21181-C	1	Lock Washer, 3 Phase
	21182	1	Lock Screw, 3 Phase
ALL IRON PARTS			
4	20097	1	Impeller
	20409-3	1	Impeller
10	04236-A	2	Plug
Not Shown	21181-A	1	Lock Washer, 3 Phase

(*) Series WT & WPT pumps have been manufactured with either cast iron or bronze impellers as standard. All replacement impellers will be bronze as listed, unless iron is specified.
For iron impellers, omit the letter "A" from part number. EXAMPLE: 20409-3.

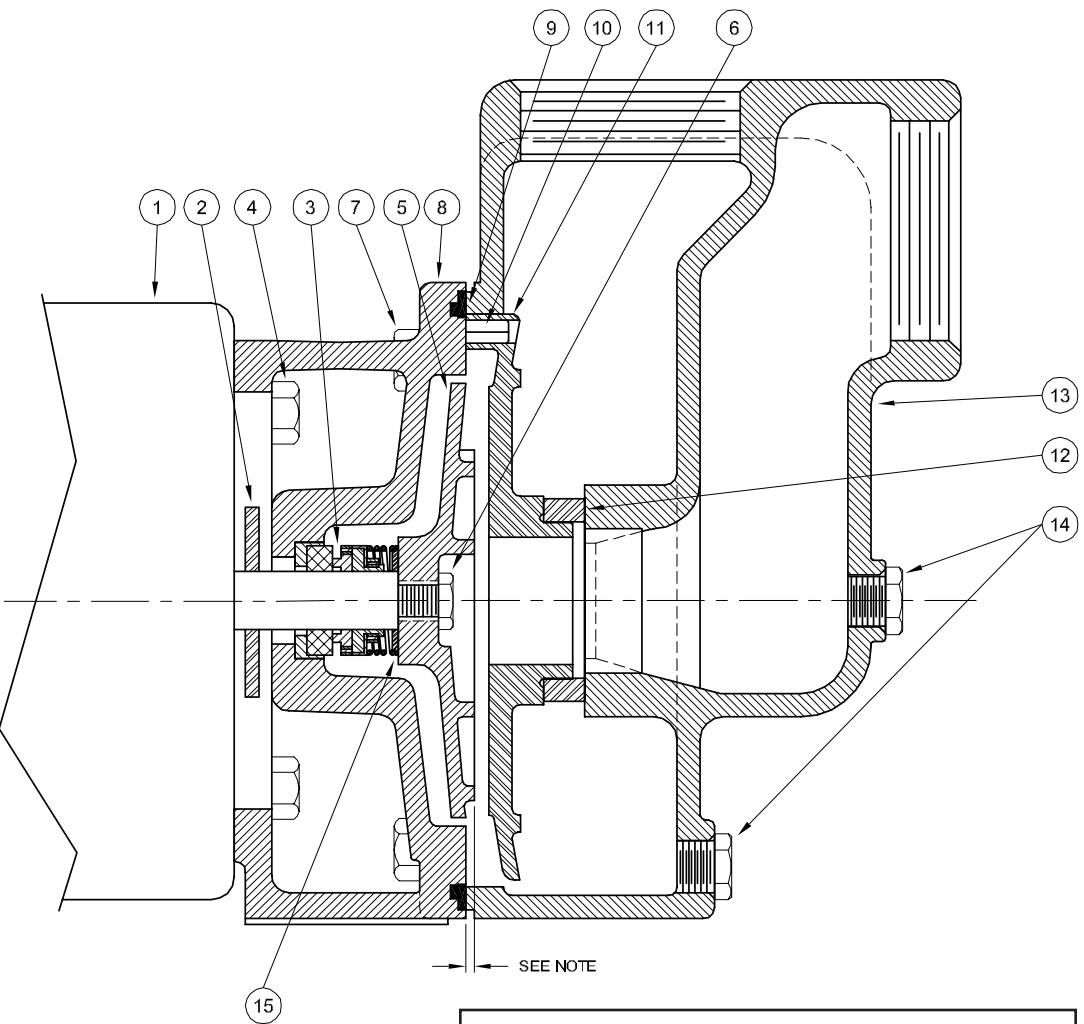
SYMBOL NUMBER	PART NUMBER	QTY	DESCRIPTION
1	003-211-371-02 003-230-361-02	1	Motor, 1/3HP, 115 Volt, 1Ph
		1	Motor, 1/3HP 115/230 Volt, 1Ph
		1	Motor, 1/3HP, 230/460 Volt, 3Ph
2	20095 20095-1	1	Adapter - WT3, WPT3
		1	Adapter - WT3A, WPT3A
3	20096 20096-1	1	Case
		1	Case w/Priming Hole
* 4	20097-A 20409-A-3	1	Impeller - WT3, WPT3
		1	Impeller - WT3A, WPT3A
5	20098 20098-1	1	Diffuser - WT3, WPT3
		1	Diffuser - WT3A, WPT3A
6	09762 08514	1	Mechanical Seal - Viton, WPT
		1	Mechanical Seal - Buna-N, WT
7	01928	8	Cap Screw, 3/8-1" Lg
8	20099 20535	1	Suction Sleeve - Viton, WPT
		1	Suction Sleeve - Buna-N, WT
9	20100	1	Gasket, case to adapter

Series: WT5, WPT5, WST5

BURKKS®

www.cranepumps.com

Centrifugals - Self-Priming



NOTE: Impeller must extend from face of frame as follows:
 Pumps with 20405 Diffuser - 33/64"
 20405-1 Diffuser - 9/32"
 20406 Diffuser - 15/64"

Shim washers (Symbol 15) may be added or removed as required to obtain dimensions.

1 - MOTORS		
RPM & PHASE	PART NUMBER	HP
FOR WT5 & WPT5 (Std) SERIES OPEN DRIP PROOF		
3500 RPM Single Phase (ODP)	005-211-371-02	1/2
	007-211-371-02	3/4
	010-211-371-02	1
	015-211-371-02	1½
	020-211-371-02	2
	030-215-371-02	3
3500 RPM Three Phase (ODP)	005-230-371-02	1/2
	007-230-371-02	3/4
	010-230-371-02	1
	015-230-371-02	1½
	020-230-371-02	2
	030-230-371-02	3
FOR WST5 (Std) SERIES EXPLOSION PROOF		
3500 RPM Single Phase (XP)	005-211-374-02	1/2
	007-211-374-02	3/4
	010-211-374-02	1
	015-211-374-02	1½
	020-211-374-02	2
3500 RPM Three Phase (XP)	005-230-364-02	1/2
	007-230-364-02	3/4
	010-230-364-02	1
	015-230-364-02	1½
	020-230-364-02	2

SECTION C5PP
 PAGE 64
 DATE 3/18

CRANE®

A Crane Co. Company

PUMPS & SYSTEMS

USA: (937) 778-8947 • Canada: (905) 457-6223 • International: (937) 615-3598

SYMBOL NUMBER	PART NUMBER	QTY	DESCRIPTION
♦ 9	08507	1	Flat Gasket
	22021	1	O-Ring - Buna-N, WT5 & WST5 (Std)
	22020	1	O-Ring - Viton, WPT5 (Std)
	22133	1	O-Ring - EPDM**
	22102	1	O-Ring - Teflon
10 11	09453	2	Pin
	20405	1	Diffuser - 20WT5A & 320WT5A 30WPT5A & 330WPT5A X20WST5A & X320WST5A
12	20405-1	1	Diffuser - 5WPT5 & 35WPT5
	20406	1	Diffuser - All except above
13	04231	1	Suction Sleeve - Buna-N, WT5 & WST5 (Std)
	09695	1	Suction Sleeve - Viton, WPT5 (Std)
	20285	1	Suction Sleeve - EPT**
14	20295	1	Case
15	04236	2	Plug 1/4-18 NPT
5 14	20628	1	Washer, 1/16 - 7WPT5 & 37WPT5
	08542-A	A/R	Washer, .032"
	20294	A/R	Washer, .010"
	20497	A/R	Washer, .005"
ALL IRON PARTS			
5		1	Impeller (Omit Letter A)
14	04236-A	2	Plug, 1/4-18 NPT

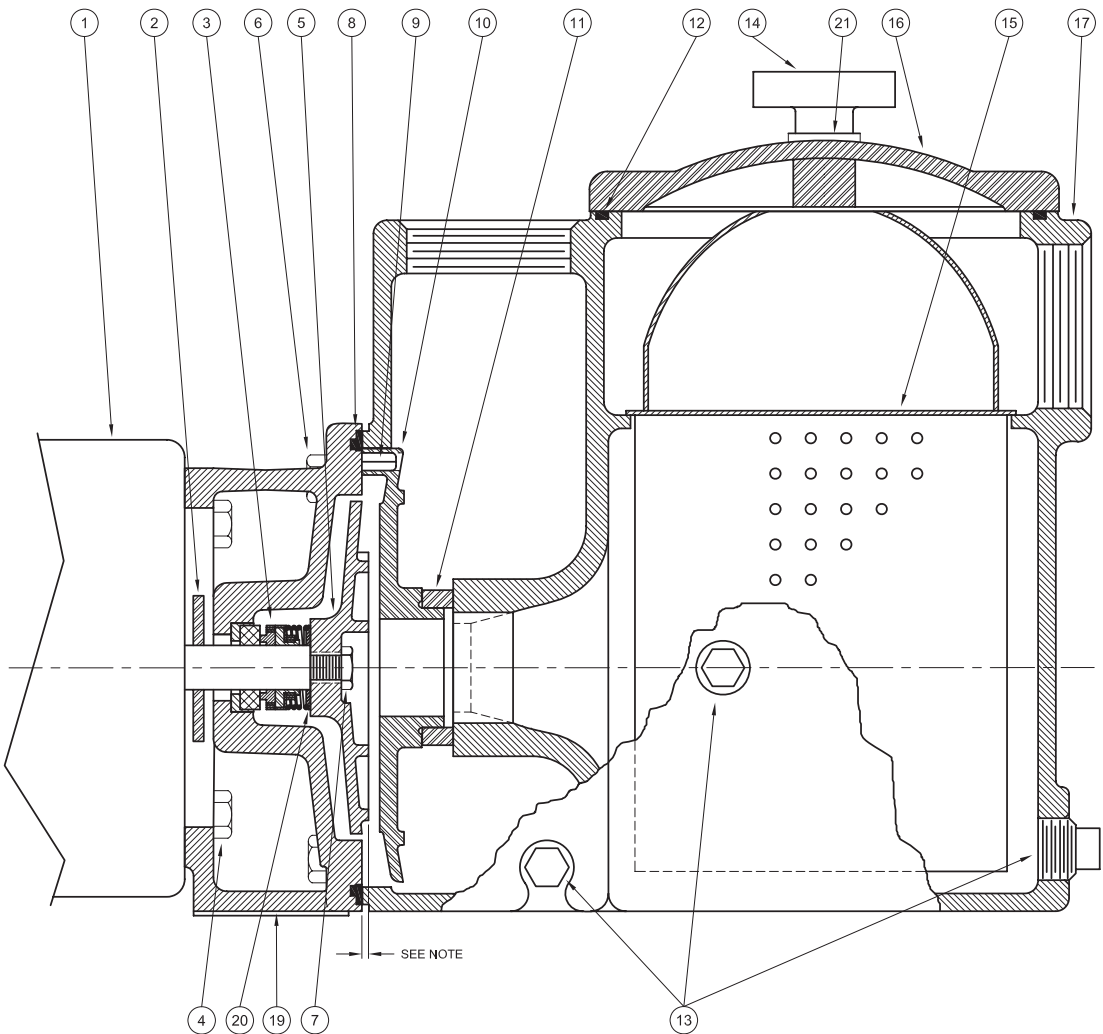
(*) WT5, WPT5 & WST5 Series pumps have been manufactured with either cast iron or bronze impellers as standard. All replacement impellers will be bronze as listed, unless iron is specified. For iron impellers, omit the letter "A" from part number. EXAMPLE: 20409-8.

(**) For hot water or caustic service.

(♦) Series WT5, WPT5 & WST5 pumps have been manufactured with either a flat or O-ring type gasket. Determine which type is required before ordering. When in doubt, order flat gasket.

SYMBOL NUMBER	PART NUMBER	QTY	DESCRIPTION	
2	08105	1	Slinger Washer	
3	08514	1	Mechanical Seal - Buna-N (Std)	
	09762	1	Mechanical Seal - Viton	
	20764-C	1	Mechanical Seal - EPT**	
4	01928	4	Cap Screw 3/8 x 1" Lg	
* 5	FOR SERIES WT5, 1 & 3 PHASE			
	20409-A-8	1	Impeller, 5WT5	
	20409-A-2	1	Impeller, 7WT5	
	20409-A-4	1	Impeller, 10WT5	
	20409-A-1	1	Impeller, 15WT5	
	20409-A	1	Impeller, 20WT5	
	20408-A	1	Impeller, 20WT5A	
	FOR SERIES WPT5, 1 & 3 PHASE			
	20407-A	1	Impeller, 5WPT5	
	20409-A-6	1	Impeller, 7WPT5	
	20409-A-5	1	Impeller, 10WPT5	
	20409-A-2	1	Impeller, 15WPT5	
	20409-A-4	1	Impeller, 20WPT5	
	20409-A	1	Impeller, 20WPT5A	
	20408-A	1	Impeller, 30WPT5A	
	FOR SERIES WST5, 1 & 3 PHASE			
	20409-A-7	1	Impeller, X5WST5	
	20409-A-5	1	Impeller, X7WST5	
	20409-A-2	1	Impeller, X10WST5	
	20409-A-1	1	Impeller, X15WST5	
	20409-A	1	Impeller, X20WST5	
	20408-A	1	Impeller, X20WST5A	
	6	20459	1	Impeller Lock Nut
	7	04235	4	Cap Screw 3/8 x 1¼
	8	20245	1	Adapter - 20WT5A & 320WT5A 5WPT5 & 35WPT5 30WPT5A & 330WPT5A X20WST5A & X320WST5A
		20245-1	1	Adapter - All except above

Centrifugals - Self-Priming



NOTE: Impeller must extend from face of frame as follows:
 Pumps with 20405 Diffuser - 33/64"
 20405-1 Diffuser - 9/32"
 20406 Diffuser - 15/64"
 Shim washers (Symbol 20) may be added or removed as required to obtain dimensions.

1 - MOTORS		
RPM & PHASE	PART NUMBER	HP
FOR WT5X & WPT5X (Std) SERIES OPEN DRIP PROOF		
3500 RPM Single Phase (ODP)	005-211-371-02	1/2
	007-211-371-02	3/4
	010-211-371-02	1
	015-211-371-02	1½
	020-211-371-02	2
	030-215-371-02	3
3500 RPM Three Phase (ODP)	005-230-371-02	1/2
	007-230-371-02	3/4
	010-230-371-02	1
	015-230-371-02	1½
	020-230-371-02	2
	030-230-371-02	3
FOR WST5X (Std) SERIES EXPLOSION PROOF		
3500 RPM Single Phase (XP)	005-211-374-02	1/2
	007-211-374-02	3/4
	010-211-374-02	1
	015-211-374-02	1½
	020-211-374-02	2
3500 RPM Three Phase (XP)	005-230-364-02	1/2
	007-230-364-02	3/4
	010-230-364-02	1
	015-230-364-02	1½
	020-230-364-02	2

SECTION CSPP
 PAGE 66
 DATE 3/18



A Crane Co. Company

PUMPS & SYSTEMS

USA: (937) 778-8947 • Canada: (905) 457-6223 • International: (937) 615-3598

SYMBOL NUMBER	PART NUMBER	QTY	DESCRIPTION
11	04231	1	Suction Sleeve - Buna-N, WT5X & WST5X (Std)
	09695	1	Suction Sleeve - Viton, WPT5X (Std)
	20285	1	Suction Sleeve - EPT**
12	067565	1	Gasket, Buna-N - WT5X & WST5X
	20460	1	Gasket, Viton - WPT5X
13	04236	3	Plug, 1/4-18 NPT
14	05413	2	Knob Assy
15	20461	1	Strainer, Basket
16	20410	1	Cover, Strainer
17	20411	1	Case
19	20245	1	Adapter - 20WT5AX & 320WT5AX 5WPT5X & 35WPT5X 30WPT5AX & 330WPT5AX X20WST5AX & X320WST5AX
	20245-1	1	Adapter - All except above
20	20628	1	Washer, 1/16 - 7WPT5X & 37WPT5X
	08542-A	A/R	Washer, .032"
	20294	A/R	Washer, .010"
	20497	A/R	Washer, .005"
21	01609-A	2	Washer, Iron, 3/8"
ALL IRON PARTS			
5		1	Impeller (Omit Letter A)
13	04236-A	3	Plug, 1/4-18 NPT

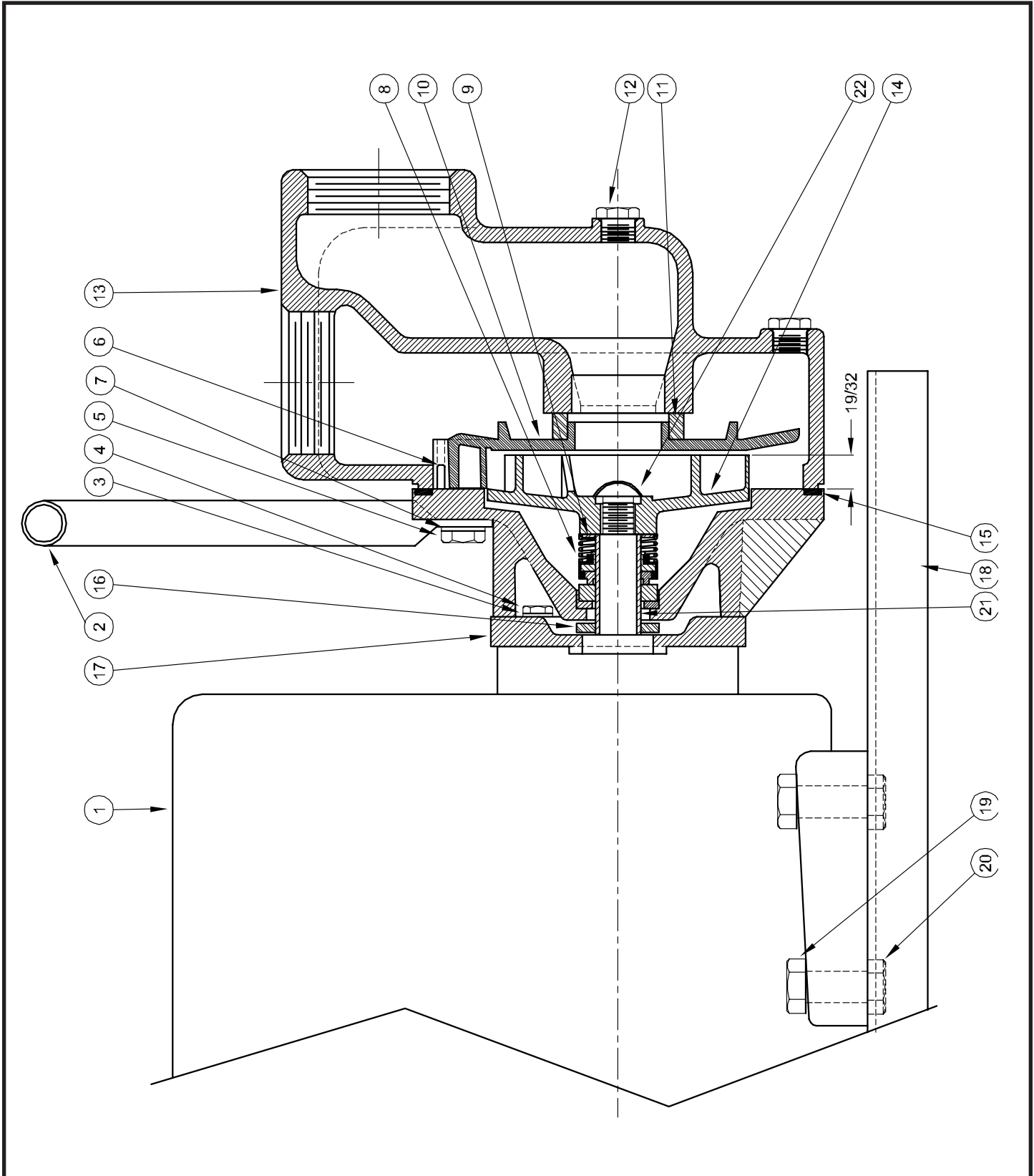
(*) WT5X, WPT5X & WST5X Series pumps have been manufactured with either cast iron or Bronze impellers as standard. All replacement impellers will be bronze as listed, unless iron is specified. For iron impellers, omit the letter "A" from part number. EXAMPLE: 20409-8.

(**) For hot water or caustic service.

(♦) Series WT5X, WPT5X & WST5X pumps have been manufactured with either a flat or O-ring type gasket. Determine which type is required before ordering. When in doubt, order flat gasket.

SYMBOL NUMBER	PART NUMBER	QTY	DESCRIPTION	
2	08105	1	Slinger Washer	
3	08514	1	Mechanical Seal - Buna-N (WT5X & WST5X Std)	
	09762	1	Mechanical Seal - Viton, WPT5X (Std)	
	20764-C	1	Mechanical Seal - EPT**	
4	01928	4	Cap Screw 3/8 x 1" Lg	
FOR SERIES WT5X, 1 & 3 PHASE				
* 5	20409-A-8	1	Impeller, 5WT5X	
	20409-A-2	1	Impeller, 7WT5X	
	20409-A-4	1	Impeller, 10WT5X	
	20409-A-1	1	Impeller, 15WT5X	
	20409-A	1	Impeller, 20WT5X	
	20408-A	1	Impeller, 20WT5AX	
	FOR SERIES WPT5X, 1 & 3 PHASE			
	20407-A	1	Impeller, 5WPT5X	
	20409-A-6	1	Impeller, 7WPT5X	
	20409-A-5	1	Impeller, 10WPT5X	
20409-A-2	1	Impeller, 15WPT5X		
20409-A-4	1	Impeller, 20WPT5X		
20409-A	1	Impeller, 20WPT5AX		
20408-A	1	Impeller, 30WPT5AX		
FOR SERIES WST5X, 1 & 3 PHASE				
20409-A-7	1	Impeller, X5WST5X		
20409-A-5	1	Impeller, X7WST5X		
20409-A-2	1	Impeller, X10WST5X		
20409-A-1	1	Impeller, X15WST5X		
20409-A	1	Impeller, X20WST5X		
20408-A	1	Impeller, X20WST5AX		
6	04235	4	Cap Screw 3/8-1 1/4	
7	20459	1	Impeller Lock Nut	
♦ 8	08507	1	Flat Gasket	
	22021	1	O-Ring - Buna-N, WT5X & WST5X (Std)	
	22020	1	O-Ring - Viton, WPT5X (Std)	
	22133	1	O-Ring - EPDM**	
	22102	1	O-Ring - Teflon	
9 10	09453	2	Pin	
	20405	1	Diffuser - 20WT5AX & 320WT5AX 30WPT5AX & 330WPT5AX X20WST5AX & X320WST5AX	
	20405-1	1	Diffuser - 5WPT5X & 35WPT5X	
	20406	1	Diffuser - All except above	

Centrifugals - Self-Priming



SYMBOL NUMBER	PART NUMBER	QTY	DESCRIPTION
16	08324	1	Slinger Washer
17	20688	1	Adapter
18	20689	1	Base
19	01606	4	Cap Screw, 5/16-18 x 1¼
20	02709	4	Hex Nut, 5/16-18
21	20691	1	Shaft Sleeve
22	20759	1	Expansion Plug
Not Shown	20692	1	Strainer

(*) **NOTE:** Due to a design change, the impeller and diffuser **must** be ordered as a set for all pumps with Serial Number prior to 851629.

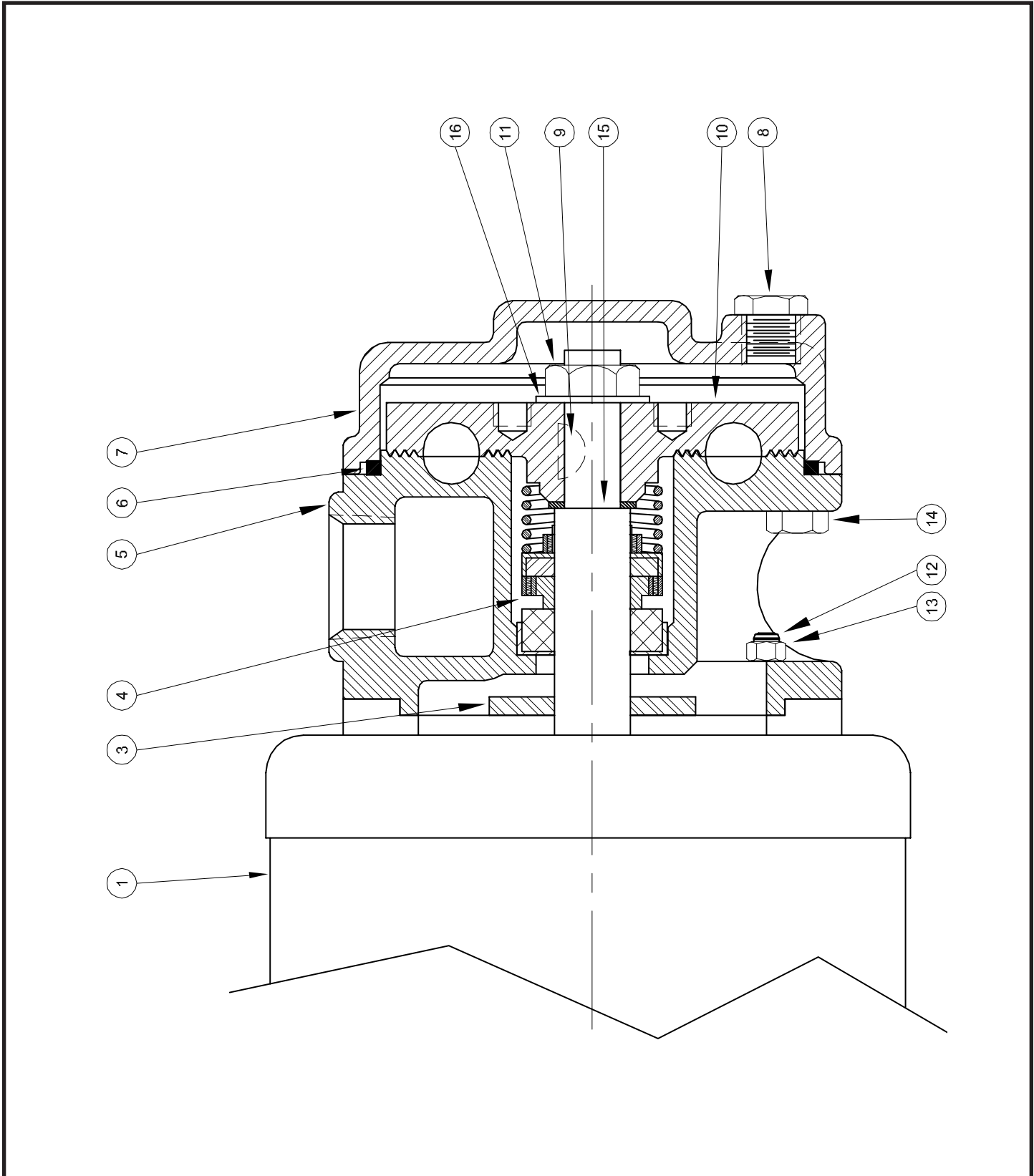
SYMBOL NUMBER	PART NUMBER	QTY	DESCRIPTION
1	20693B5	1	Engine - B&S 80232
2	20690	1	Handle
3	09311	4	Lock Washer 5/16"
4	03104	4	Cap Screw 5/16-24 x 1" Lg
5	04235	4	Cap Screw 3/8-16 x 1¼" Lg
6	23042	2	Pin
7	20056	4	Lock Washer (used on two bottom screws)
8	08991	1	Mechanical Seal
9	20698	A/R	Shim .005"
	20699	A/R	Shim .010"
	20700	A/R	Shim .032"
* 10	20405-3	1	Diffuser
11	04231	1	Suction Sleeve
12	04236	2	Pipe Plug 1/4"
13	20295	1	Case
* 14	20408-2	1	Impeller
15	08507	1	Gasket

CRANE®

PUMPS & SYSTEMS

SECTION CSPP
PAGE 69
DATE 2/05

Turbines - Close Coupled

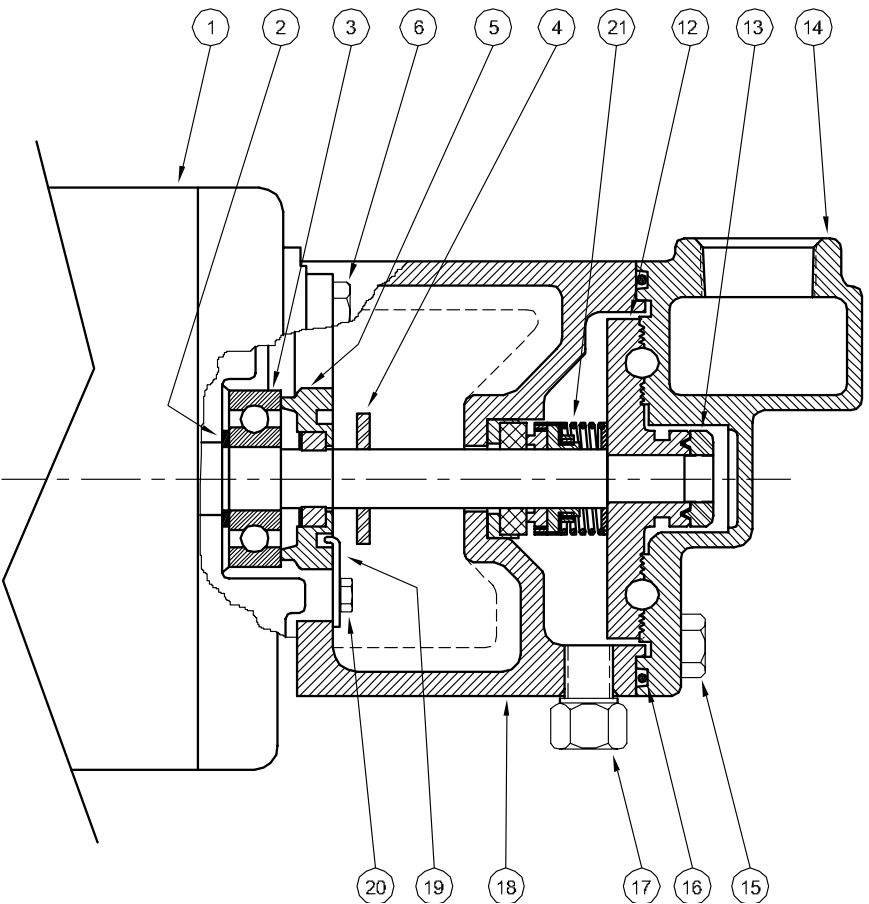
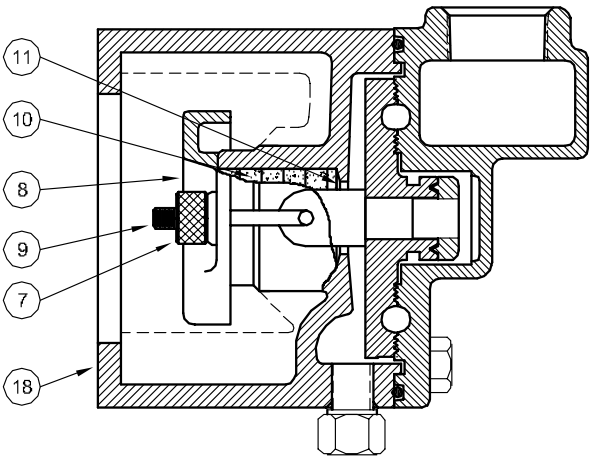


REPAIR KITS FOR CR SERIES PUMPS			
REPAIR KIT P/N (STD Buna-N)	MODEL	REPAIR KIT P/N (Viton)	MODEL
22850-6	CR6M	22850-6-MV	CR6MV
KIT INCLUDES: Impeller, raceway, Shaft Seal, Impeller Locknut and Key, Seal Ring, Washers and Instructions.			

SYMBOL NUMBER	PART NUMBER	QTY	DESCRIPTION
1	21765 21933	1 1	Motor, 1/3HP - 115 Volt, 1 Phase Motor, 1/3HP - 230 Volt, 1 Phase
3	03520	1	Slinger Washer
4	21727 21914	1 1	Mechanical Seal - Buna-N Mechanical Seal - Viton
5	21722-6	1	Raceway
6	21726 21913	1 1	Seal Ring - Buna-N Seal Ring - Viton
7	21724	1	Cover
8	01691-A	1	Plug, 1/8" NPT
9	21728	1	Shaft Key
10	SA21723-6-1	1	Impeller
11	21725	1	Locknut, Impeller
12	21729	4	Stud
13	21730	4	Nut
14	08169	4	Cap Screw
15	22897	1	Washer
16	23037	1	Washer

NOTE 1: Impeller and Raceway must be ordered as a repair kit.
NOT available individually.

Turbines - Close Coupled



1 - MOTORS		
RPM & PHASE	PART NUMBER	HP
1725RPM - OPEN DRIP PROOF - 1 PHASE		
1725 RPM Single Phase (ODP)	09755	1/4
3450RPM - OPEN DRIP PROOF - 1 PHASE		
3450 RPM Single Phase (ODP)	09896 09897 09898	1/3 1/2 3/4
3450/2900 RPM - OPEN DRIP PROOF 3 PHASE		
3450/2900 RPM Three Phase (ODP)	09704 09637 09622	1/3 1/2 3/4
3450/2900 RPM - TOTALLY ENCLOSED		
3450/2900 RPM Single Phase (TEFC)	09793	3/4
3450/2900 RPM Three Phase (TEFC)	09794 20472 (60/50)	3/4 1
2900 RPM - 50 Hz OPEN DRIP PROOF & TOTALLY ENCLOSED		
2900 RPM Single Phase (ODP)	09896-50 09897-50 09898-50 20142	1/3 1/2 3/4 1
2900 RPM Three Phase (TEFC) - 60/50	20472	1

SYMBOL NUMBER	PART NUMBER	QTY	DESCRIPTION
17	04236	1	Plug, 1/4-18 NPT
18	09522	1	Frame (for packing gland)
	09521	1	Frame (for mechanical seal)
19	07576	1	Adjusting Screw Lock
20	07577	1	Screw, #10 x 3/4" Lg
21	08514	1	Mechanical Seal - Buna-N
	09762	1	Mechanical Seal - Viton
	20764-C	1	Mechanical Seal - EPT
DIFFERING PARTS FOR ALL BRONZE CONSTRUCTION			
6	03121-B	4	Screw, 1/4-20 x 3/4" Lg
15	03289	4	Screw, 3/8-16 x 1" Lg
18	09522-A	1	Frame (for packing gland)
	09521-A	1	Frame (for mechanical seal)

(*) Standard impellers are suitable for fluid temperatures to 250°F (121°C). For higher temperatures, add the designation "HT" to impeller part number.

This includes all "MJ" Jacketed Seal Pumps. EXAMPLE: SA09524-HT-5

NOTE 1: Impeller and raceway must be ordered as a repair kit.
NOT available individually.

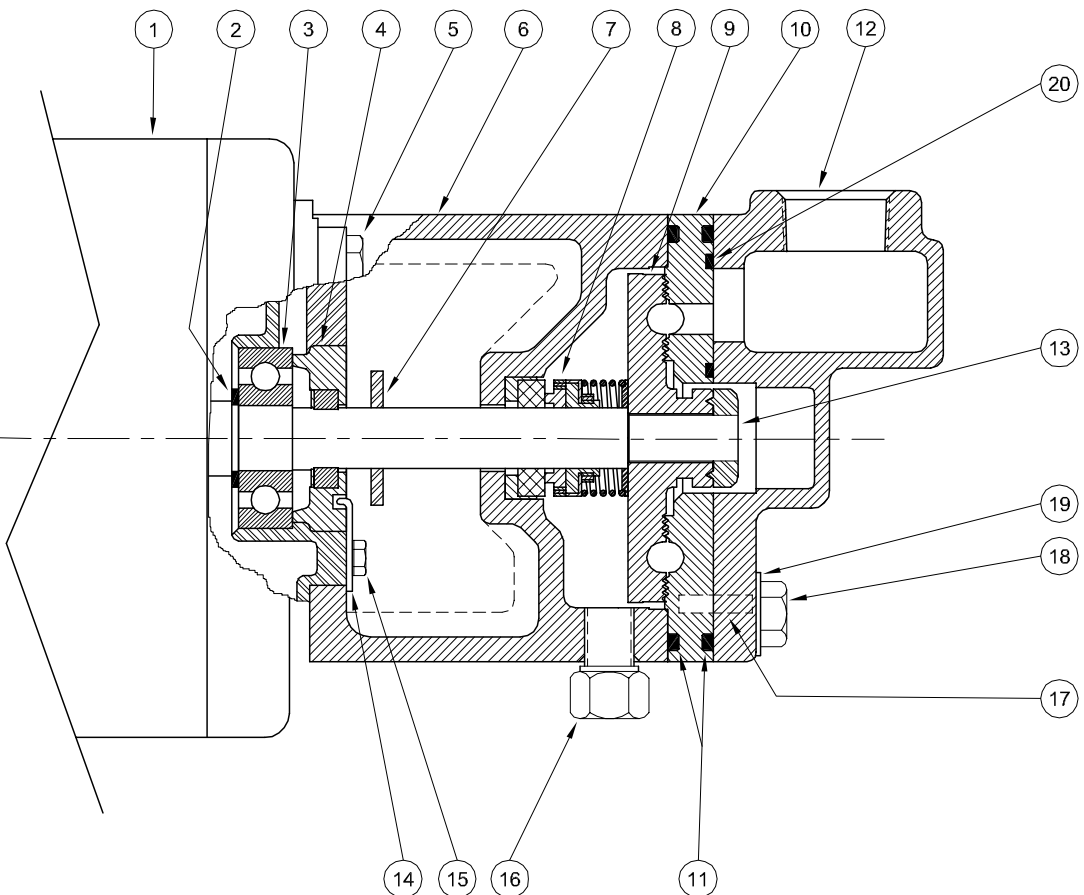
SYMBOL NUMBER	PART NUMBER	QTY	DESCRIPTION
2	02726	1	Washer - Bearing Back Up
3	09164	1	Ball Bearing - Pump End
	08935	1	Ball Bearing - Switch End (Not Shown)
4	08105	1	Slinger
5	01332-B	1	Screw, Impeller Adjusting
6	03121	4	Screw, 1/4-20 x 3/4
7	04211	2	Gland Nut
8	05804-A	1	Gland, Stuffing Box
9	07003	2	Gland Bolt
10	08091	5	Packing
11	08085	1	Washer - Stuffing Box
* 12	SA09524-5	1	Impeller - 5/16 CT5M
	SA09524-6	1	Impeller - 3/8 CT6M
	SA09524-7	1	Impeller - 7/16 CT7M
	SA09524-8	1	Impeller - 1/2 CT8M
13	02258	1	Nut, Impeller Lock
14	09525-5	1	Raceway - 5/16 CT5M
	09525-6	1	Raceway - 3/8 CT6M
	09525-7	1	Raceway - 7/16 CT7M
	09525-8	1	Raceway - 1/2 CT8M
15	01928	4	Screw, 3/8-16 x 1" Lg
16	09530	1	O-Ring Gasket - Buna-N
	09699	1	O-Ring Gasket - Viton
	22134	1	O-Ring Gasket - EPT
	09530-T	1	O-Ring Gasket - Teflon

REPAIR KITS FOR CT SERIES PUMPS

REPAIR KIT P/N (STD Buna-N)	MODEL	REPAIR KIT P/N (Viton)	MODEL	REPAIR KIT P/N (EPT)	MODEL	REPAIR KIT P/N (High Temp)	MODEL
20158-5	CT5M	20158-5-MV	CT5MV	20158-5-ME	CT5ME	20158-HT-5	CT5MV-HT
20158-6	CT6M	20158-6-MV	CT6MV	20158-6-ME	CT6ME	20158-HT-6	CT6MV-HT
20158-7	CT7M	20158-7-MV	CT7MV	20158-7-ME	CT7ME	20158-HT-7	CT7MV-HT
20158-8	CT8M	20158-8-MV	CT8MV	20158-8-ME	CT8ME		

KIT INCLUDES: Impeller, Raceway, Shaft Seal, O-Ring Gasket, Impeller Locknut and Instructions.

Turbines - Close Coupled



1 - MOTORS		
RPM & PHASE	PART NUMBER	HP
1725RPM - OPEN DRIP PROOF - 1 PHASE		
1725 RPM Single Phase (ODP)	09755	1/4
3450RPM - OPEN DRIP PROOF - 1 PHASE		
3450 RPM Single Phase (ODP)	09896 09897 09898	1/3 1/2 3/4
3450/2900 RPM - OPEN DRIP PROOF 3 PHASE		
3450/2900 RPM Three Phase (ODP)	09704 09637 09622	1/3 1/2 3/4
3450/2900 RPM - TOTALLY ENCLOSED		
3450/2900 RPM Single Phase (TEFC)	09793	3/4
3450/2900 RPM Three Phase (TEFC)	09794 20472 (60/50)	3/4 1
2900 RPM - 50 Hz OPEN DRIP PROOF & TOTALLY ENCLOSED		
2900 RPM Single Phase (ODP)	09896-50 09897-50 09898-50 20142	1/3 1/2 3/4 1
2900 RPM Three Phase (TEFC) - 60/50	20472	1

SYMBOL NUMBER	PART NUMBER	QTY	DESCRIPTION
12	09525-B	1	Housing, Raceway
13	02258-A	1	Locknut, Impeller
14	07576	1	Lock, Adjusting Screw
15	07577	1	Screw, #10 x 3/8" Lg
16	04236-A	1	Pipe Plug, 1/4" Hex Hd
17	20101	1	Pin, Locating - 3/16 x 3/4" Lg
18	01929-B	4	Cap Screw, 3/8 x 1 1/2" Lg
19	20056	4	Lockwasher
20	21472	1	O-Ring Gasket - Viton
	22065	1	O-Ring Gasket - Teflon
	22843	1	O-Ring Gasket - EPT**

(**) For hot water or caustic service.

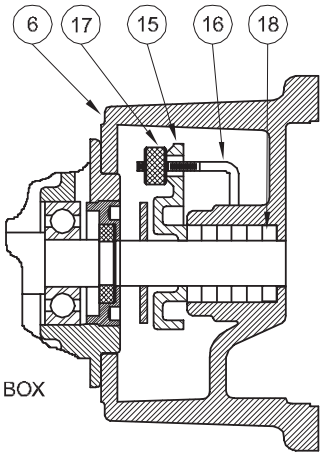
NOTE 1: Impeller and raceway must be ordered as a repair kit.
NOT available individually.

SYMBOL NUMBER	PART NUMBER	QTY	DESCRIPTION
2	02726	1	Washer - Bearing Back Up
3	09164	1	Ball Bearing - Pump End
4	01332-B	1	Screw, Impeller Adjusting
5	03121-B	4	Screw, 1/4-20 x 3/4
6	09521-C	1	Frame
7	08105	1	Slinger Washer
8	08514-C	1	Mechanical Seal - Buna-N
	09762	1	Mechanical Seal - Viton
	20764-C	1	Mechanical Seal - EPDM**
9	SA09524-A-5	1	Impeller - 5/16 CT5M - SS
	SA09524-A-6	1	Impeller - 3/8 CT6M - SS
	SA09524-A-7	1	Impeller - 7/16 CT7M - SS
10	20706-5	1	Raceway, Plate Type - 5/16 CT5M - SS
	20706-6	1	Raceway, Plate Type - 3/8 CT6M - SS
	20706-7	1	Raceway, Plate Type - 7/16 CT7M - SS
11	09530	2	O-Ring Gasket - Buna-N
	09699	2	O-Ring Gasket - Viton
	22134	2	O-Ring Gasket - EPT**
	09530-T	2	O-Ring Gasket - Teflon

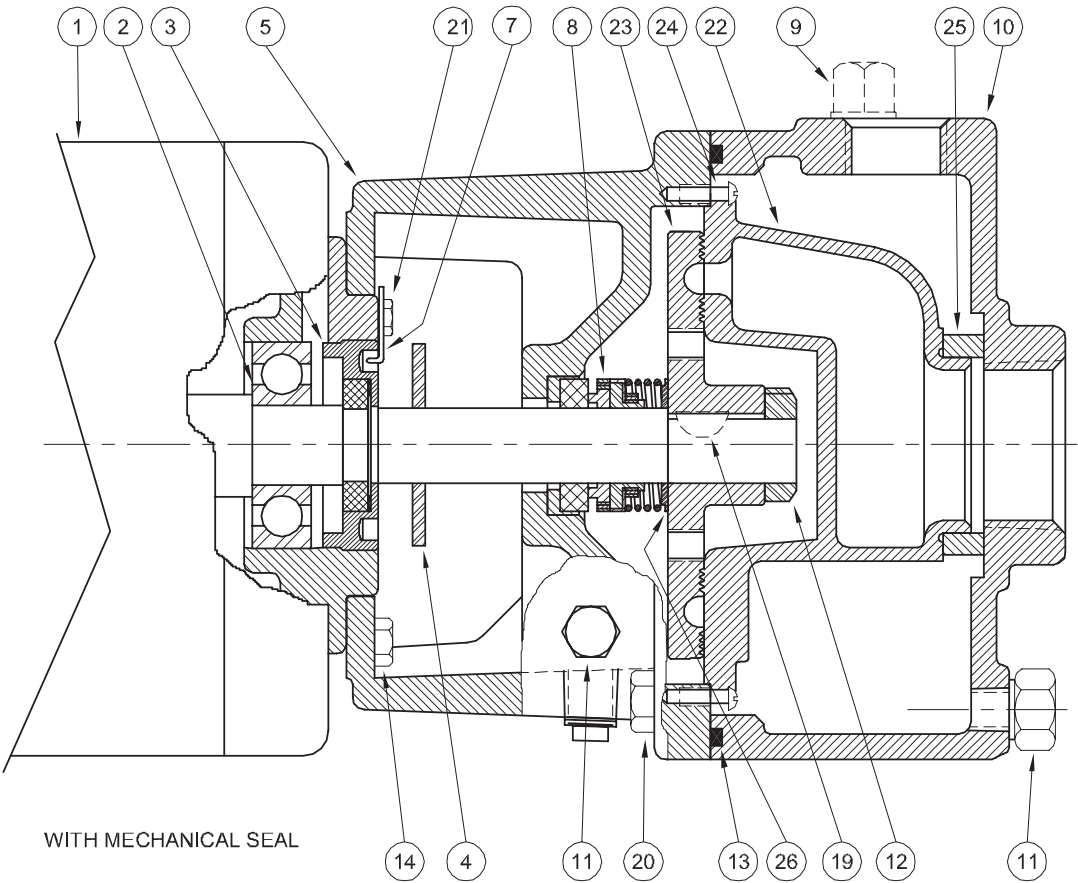
REPAIR KITS FOR CT-SS SERIES PUMPS

REPAIR KIT P/N (STD Buna-N)	MODEL	REPAIR KIT P/N (Viton)	MODEL	REPAIR KIT P/N (EPT)	MODEL
20158-5-SS	CT5M-SS	20158-5-MV-SS	CT5MV-SS	20158-5-ME-SS	CT5ME-SS
20158-6-SS	CT6M-SS	20158-6-MV-SS	CT6MV-SS	20158-6-ME-SS	CT6ME-SS
20158-7-SS	CT7M-SS	20158-7-MV-SS	CT7MV-SS	20158-7-ME-SS	CT7ME-SS

KIT INCLUDES: Impeller, Raceway, Shaft Seal, O-Ring Gaskets, Impeller Locknut and Instructions.



WITH STUFFING BOX



WITH MECHANICAL SEAL

1 - MOTORS		
RPM & PHASE	PART NUMBER	HP
1725RPM - OPEN DRIP PROOF		
1725 RPM Single Phase (ODP)	09797	1/3
	09799	1/2
1725 RPM Three Phase (ODP)	09798	1/3
	09800	1/2
3450RPM - OPEN DRIP PROOF		
3450 RPM Single Phase (ODP)	09805	1
	09807	1½
	09809	2
3450 RPM Three Phase (ODP)	09806	1
	09808	1½
	09810	2
	09812	3
	09855	5
3450RPM - TOTALLY ENCLOSED		
3450 RPM Three Phase (TEFC)	09824	1½
	09845	2
	09846	3

SYMBOL NUMBER	PART NUMBER	QTY	DESCRIPTION
22	09789-5	1	Raceway for CS5M
	09789-5-A	1	Raceway for CS5M
	09789-6	1	Raceway for CS6M
	09789-7	1	Raceway for CS7M
	09789-8	1	Raceway for CS8M
	09789-9	1	Raceway for CS9M
* 23	09789-9-A	1	Raceway for CS9M
	SA09788-5	1	Impeller for CS5M
	SA09788-5-A	1	Impeller for CS5M
	SA09788-6	1	Impeller for CS6M
	SA09788-7	1	Impeller for CS7M
	SA09788-HT-8	1	Impeller for CS8M
24	SA09788-HT-9	1	Impeller for CS9M
	SA09788-HT-9-A	1	Impeller for CS9M
25	02535	2	Screw, Raceway to Frame
26	04231	1	Suction Sleeve - Buna-N (Std)
	09695	1	Suction Sleeve - Viton
26	20285	1	Suction Sleeve - EPT
	7441-A	1	Back-up Washer for CS5M ONLY
DIFFERING PARTS FOR ALL BRONZE CONSTRUCTION			
5	09787-A	1	Frame (for mechanical seal)
6	09792-A	1	Frame (for stuffing box)
10	09790-C	1	Case
	09790-E	1	Case
14	03121-B	4	Screw, 1/4-20 x 3/4" Lg
20	08771	4	Screw, 7/16-14 x 1/4" Lg - SS

(*) Standard impellers are suitable for fluid temperatures to 250°F (121°C). For higher temperatures, add the designation "HT" to impeller part number. This includes all "MJ" Jacketed Seal Pumps. EXAMPLE: SA09788-HT-5

NOTE 1: Impeller and raceway must be ordered as a repair kit. NOT available individually.

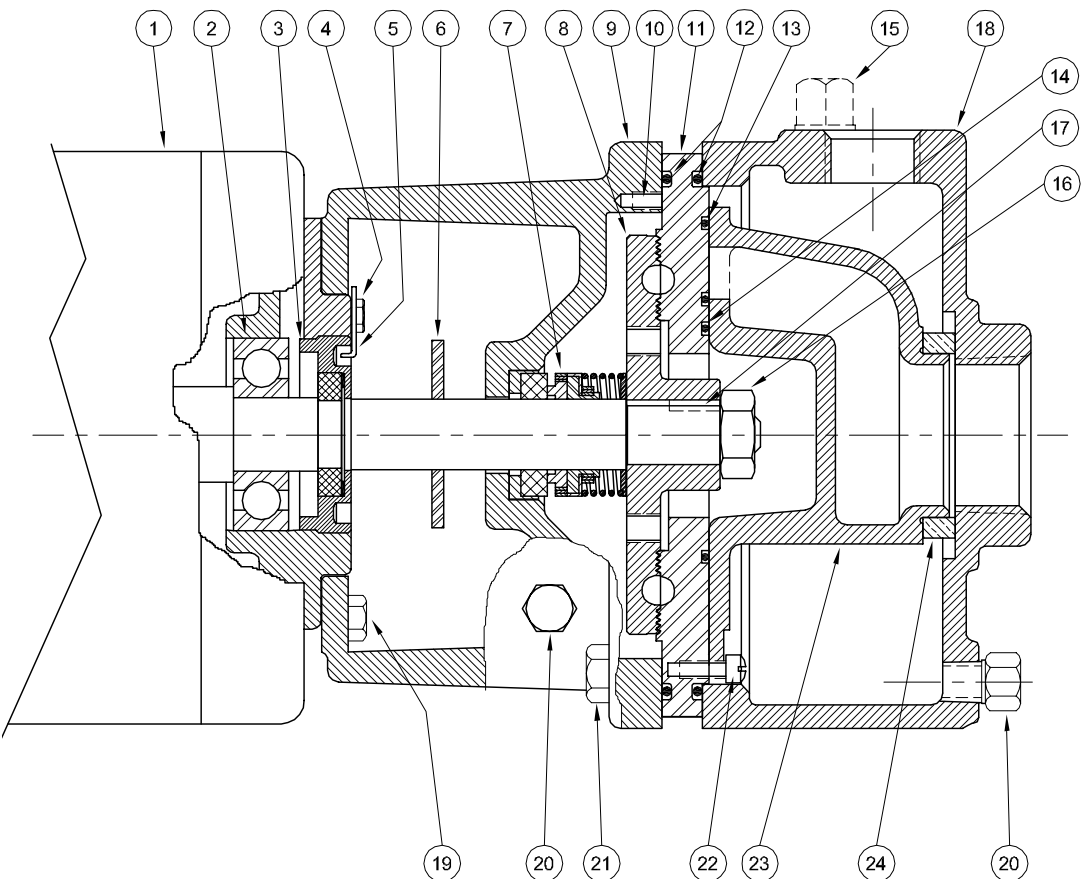
SYMBOL NUMBER	PART NUMBER	QTY	DESCRIPTION
2	09144	1	Ball Bearing - Pump End
	05290	1	Ball Bearing - Switch End (Not Shown)
3	04206-A	1	Screw, Impeller Adjusting
4	08324	1	Slinger Washer
5	09787	1	Frame (for mechanical seal)
	09787-C	1	Frame (for mechanical seal)
6	09792	1	Frame (for stuffing box)
7	07576	1	Adjusting Screw Lock
	07576-S	1	Adjusting Screw Lock
8	08991	1	Mechanical Seal - Buna-N
	09813-C	1	Mechanical Seal - Viton
	21934	1	Mechanical Seal - EPT
9	02953	1	Plug, 1/2"
	02953-B	1	Plug, 1/2"
10	09790-B	1	Case
	09790-E	1	Case
11	04236	3	Plug, 1/4-18 NPT
12	01404	1	Impeller Lock Nut
	01404-A	1	Impeller Lock Nut
13	09791	1	O-Ring Gasket - Buna-N
	09817	1	O-Ring Gasket - Viton
	22135	1	O-Ring Gasket - EPT
	22104	1	O-Ring Gasket - Teflon
14	03121	4	Screw, 1/4" x 3/4"
	1-523-1	4	Screw, 1/4" x 3/4"
15	05812-B	1	Gland, Stuffing Box
16	07003	2	Gland Bolt
17	04211	2	Gland Nut
18	05468	5	Packing
19	01457	1	Key, Woodruff (As Shown - Repair Kits Only)
	21748-A	1	Key, Square
20	01931	4	Screw, 7/16-14 x 1 1/4" Lg
	1-149-1	4	Screw, 7/16-14 x 1 1/4" Lg
21	07577	1	Screw, #10 x 3/8" Lg

REPAIR KITS FOR CS SERIES PUMPS

REPAIR KIT PN (Std Buna-N)	MODEL	REPAIR KIT PN (Viton)	MODEL	REPAIR KIT PN (EPT)	MODEL	REPAIR KIT PN (High Temp)	MODEL	REPAIR KIT PN (High Temp with Cooling Jacket)	MODEL
20522-5	CS5M	20522-5-MV	CS5MV	20522-5-ME	CS5ME	20522-HT-5	CS5MV-HT	20522-5-MJ	CS5MJ
20522-6	CS6M	20522-6-MV	CS6MV	20522-6-ME	CS6ME	20522-HT-6	CS6MV-HT	20522-6-MJ	CS6MJ
20522-7	CS7M	20522-7-MV	CS7MV	20522-7-ME	CS7ME	20522-HT-7	CS7MV-HT	20522-7-MJ	CS7MJ
20522-8	CS8M	20522-8-MV	CS8MV	20522-8-ME	CS8ME	20522-HT-8	CS8MV-HT	20522-8-MJ	CS8MJ
20522-9	CS9M	20522-9-MV	CS9MV	20522-9-ME	CS9ME	20522-HT-9	CS9MV-HT	20522-9-MJ	CS9MJ

KIT INCLUDES: Impeller, Raceway and Screws, Shaft Seal, Suction Sleeve, Impeller Locknut and Key, and Instructions.

Turbines - Close Coupled



1 - MOTORS		
RPM & PHASE	PART NUMBER	HP
1725RPM - OPEN DRIP PROOF		
1725 RPM Single Phase (ODP)	09797	1/3
	09799	1/2
1725 RPM Three Phase (ODP)	09798 09800	1/3 1/2
3450RPM - OPEN DRIP PROOF		
3450 RPM Single Phase (ODP)	09805	1
	09807	1½
	09809	2
3450 RPM Three Phase (ODP)	09806	1
	09808	1½
	09810	2
	09812	3
	09855	5
3450RPM - TOTALLY ENCLOSED		
3450 RPM	09824	1½
Three Phase (TEFC)	09845	2
	09846	3

SYMBOL NUMBER	PART NUMBER	QTY	DESCRIPTION
13	23021	2	O-Ring Gasket - Buna-N
	21472	2	O-Ring Gasket - Viton
	22843	2	O-Ring Gasket - EPT
	22065	2	O-Ring Gasket - Teflon
14	23081	1	O-Ring Gasket - Buna-N
	22867	1	O-Ring Gasket - Viton
	23082	1	O-Ring Gasket - EPT
	22868	1	O-Ring Gasket - Teflon
15	02953-B	1	Plug, 1/2" Pipe - Sq Hd
16	01404-A	1	Locknut, Impeller
17	21748-A	1	Key
18	22859	1	Case
19	23822	4	Cap Screw
20	04236-A	2	Plug, 1/4" Pipe
21	02648-A	4	Cap Screw
22	02535	2	Screw
23	22862	1	Raceway Housing
24	04231	1	Suction Sleeve - Buna-N (Std)
	09695	1	Suction Sleeve - Viton
	20285	1	Suction Sleeve - EPT

NOTE 1: Impeller and raceway must be ordered as a repair kit.
NOT available individually.

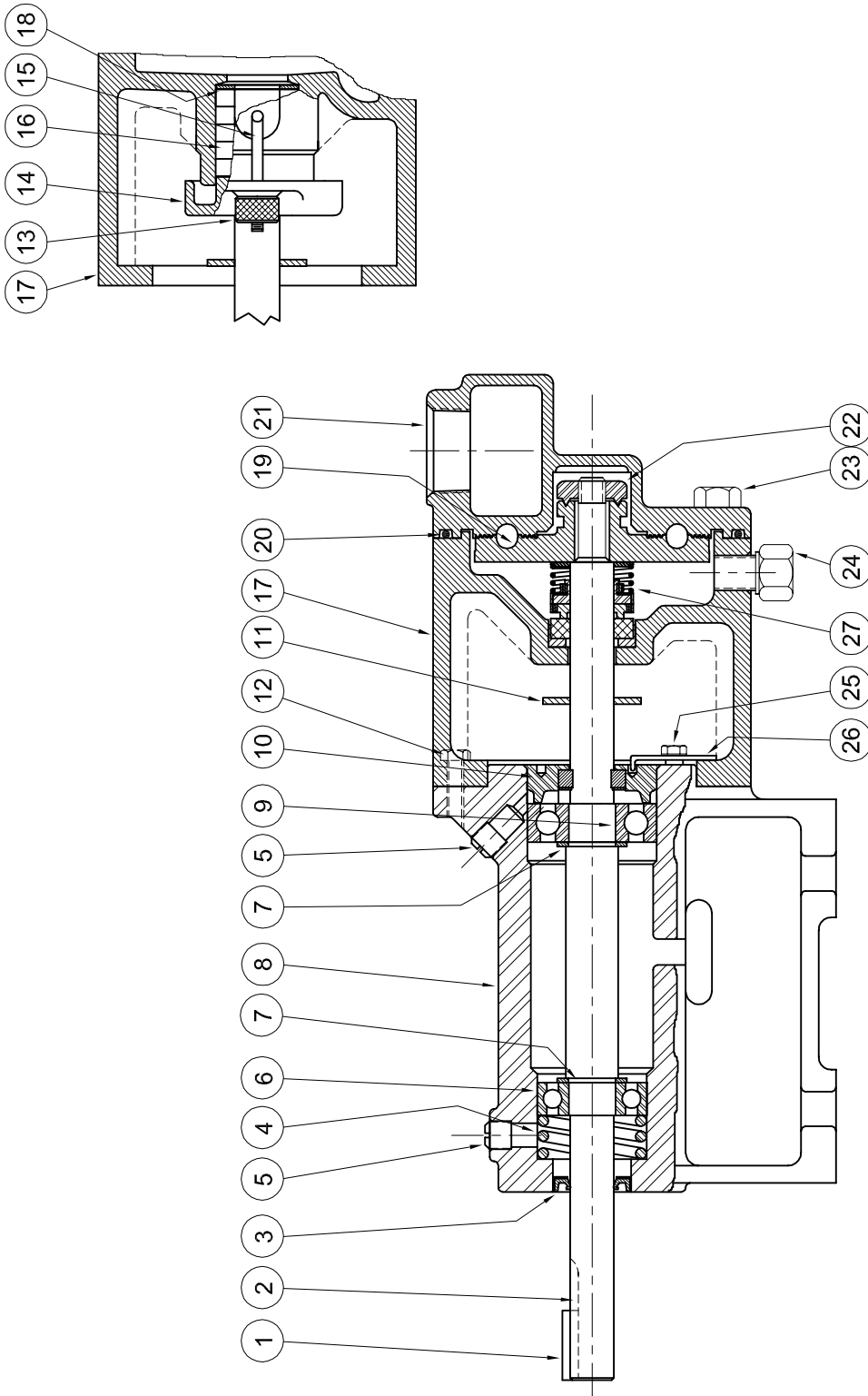
SYMBOL NUMBER	PART NUMBER	QTY	DESCRIPTION
2	09144	1	Ball Bearing - Pump End
3	04206-A	1	Screw, Impeller Adjusting
4	07577	1	Screw
5	07576	1	Adjusting Screw Lock
6	08324	1	Slinger
7	08991	1	Mechanical Seal - Buna-N
	09813-C	1	Mechanical Seal - Viton
	21934	1	Mechanical Seal - EPDM
8	SA09788-A-5	1	Impeller - CS5M - SS
	SA09788-A-6	1	Impeller - CS6M - SS
	SA09788-A-7	1	Impeller - CS7M - SS
	SA09788-A-8	1	Impeller - CS8M - SS
	SA09788-A-9	1	Impeller - CS9M - SS
9	22860	1	Frame
10	23100	1	Pin
11	22861-5	1	Raceway, Plate Type - CS5M - SS
	22861-6	1	Raceway, Plate Type - CS6M - SS
	22861-7	1	Raceway, Plate Type - CS7M - SS
	22861-8	1	Raceway, Plate Type - CS8M - SS
	22861-9	1	Raceway, Plate Type - CS9M - SS
12	22863	2	O-Ring Gasket - Buna-N
	22864	2	O-Ring Gasket - Viton
	22865	2	O-Ring Gasket - EPT
	22866	2	O-Ring Gasket - Teflon

REPAIR KITS FOR CS-SS SERIES PUMPS

REPAIR KIT P/N (STD Buna-N)	MODEL	REPAIR KIT P/N (Viton)	MODEL	REPAIR KIT P/N (EPT)	MODEL
20522-5-SS	CS5M-SS	20522-5-SS-MV	CS5M-SS-MV	20522-5-SS-ME	CS5M-SS-ME
20522-6-SS	CS6M-SS	20522-6-SS-MV	CS6M-SS-MV	20522-6-SS-ME	CS6M-SS-ME
20522-7-SS	CS7M-SS	20522-7-SS-MV	CS7M-SS-MV	20522-7-SS-ME	CS7M-SS-ME
20522-8-SS	CS8M-SS	20522-8-SS-MV	CS8M-SS-MV	20522-8-SS-ME	CS8M-SS-ME
20522-9-SS	CS9M-SS	20522-9-SS-MV	CS9M-SS-MV	20522-9-SS-ME	CS9M-SS-ME

KIT INCLUDES: Impeller, Raceway and Screws, Shaft Seal, Suction Sleeve, O-Ring Gaskets, Impeller Locknut and Key, Pin, Adjusting Screw and Lock, and Instructions.

Turbines - Base Mounted



SYMBOL NUMBER	PART NUMBER	QTY	DESCRIPTION
21	09525-5	1	Raceway - 5/16 ET5
	09525-6	1	Raceway - 3/8 ET6
	09525-7	1	Raceway - 7/16 ET7
	09525-8	4	Raceway - 1/2 ET8
22	02258	1	Impeller Lock Nut
23	01928	4	Cap Screw
24	04236	1	Plug - 1/4"
25	07577	1	Screw - #10-24 x 3/8" Lg
26	07576	1	Adjusting Screw Lock
27	08514	1	Mechanical Seal - Buna-N (Std)
	09762	1	Mechanical Seal - Viton
	20764-C	1	Mechanical Seal - EPT
	22927	1	Power Frame Assy (Includes symbol 1 thru 11)
DIFFERING PARTS FOR ALL BRONZE CONSTRUCTION			
12	03121-A	4	Screw,
23	03289	4	Screw, 3/8-16 x 1" Lg
17	09522-A	1	Frame (for packing gland)
	09521-A	1	Frame (for mechanical seal)

(* Standard impellers are suitable for fluid temperatures to 250°F (121°C). For higher temperatures, add the designation "HT" to impeller part number. This includes all "MJ" Jacketed Seal Pumps. EXAMPLE: SA09524-HT-5

NOTE 1: Impeller and raceway must be ordered as a repair kit. NOT available individually.

NOTE 2: For pumps manufactured prior to MARCH of 1985 call factory for power frame parts availability.

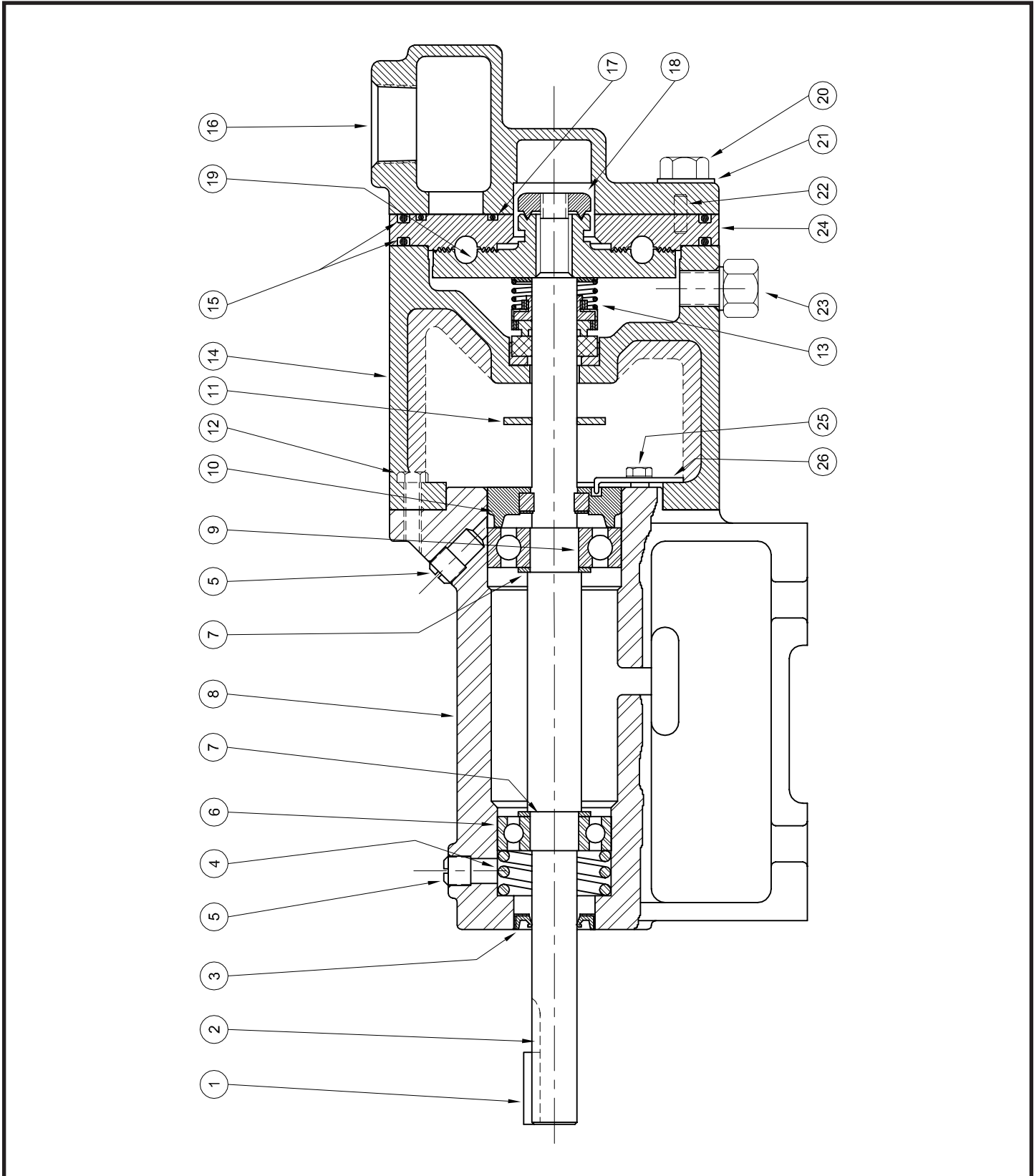
SYMBOL NUMBER	PART NUMBER	QTY	DESCRIPTION
1	01420	1	Key
2	22926	1	Shaft
3	09529	1	Oil Seal
4	09528	1	Spring
5	01691	2	Plug, 1/8"
6	00629	1	Ball Bearing
7	02726	2	Washer - Bearing Back Up
8	22923	1	Bearing Housing
9	21000	1	Ball Bearing
10	09162	1	Impeller Adjusting Screw
11	08105	1	Slinger
12	03121	4	Cap Screw
13	04211	2	Gland Nut
14	05804-A	1	Gland
15	07003	2	Gland Bolt
16	08091	6	Packing
17	09522	1	Frame (for packing seal)
	09521	1	Frame (for mechanical seal)
18	08085	1	Washer - Stuffing Box
* 19	SA09524-5	1	Impeller - 5/16 ET5
	SA09524-6	1	Impeller - 3/8 ET6
	SA09524-7	1	Impeller - 7/16 ET7
	SA09524-8	1	Impeller - 1/2 ET8
20	09530	1	O-Ring Gasket - Buna-N (Std)
	09699	1	O-Ring Gasket - Viton
	22134	1	O-Ring Gasket - EPT
	09530-T	1	O-Ring Gasket - Teflon

REPAIR KITS FOR ET SERIES PUMPS

REPAIR KIT P/N (STD Buna-N)	MODEL	REPAIR KIT P/N (Viton)	MODEL	REPAIR KIT P/N (EPT)	MODEL	REPAIR KIT P/N (High Temp)	MODEL
20158-5	ET5M	20158-5-MV	ET5MV	20158-5-ME	ET5ME	20158-HT-5	ET5MV-HT
20158-6	ET6M	20158-6-MV	ET6MV	20158-6-ME	ET6ME	20158-HT-6	ET6MV-HT
20158-7	ET7M	20158-7-MV	ET7MV	20158-7-ME	ET7ME	20158-HT-7	ET7MV-HT
20158-8	ET8M	20158-8-MV	ET8MV	20158-8-ME	ET8ME		

KIT INCLUDES: Impeller, Raceway, Shaft Seal, O-Ring Gasket, Impeller Locknut and Instructions.

Turbines - Base Mounted



SYMBOL NUMBER	PART NUMBER	QTY	DESCRIPTION
19	SA09524-A-5	1	Impeller - 5/16 ET5M-SS
	SA09524-A-6	1	Impeller - 3/8 ET6M-SS
	SA09524-A-7	1	Impeller - 7/16 ET7M-SS
20	01928-B	4	Cap Screw
21	20056	4	Washer
22	20101	1	Locating Pin
23	04236-A	1	Pipe Plug - 1/4"
24	20706-5	1	Raceway - ET5M-SS
	20706-6	1	Raceway - ET6M-SS
	20706-7	1	Raceway - ET7M-SS
25	07577	1	Screw
26	07576	1	Lock, Adjusting Screw
	22927	1	Power Frame Assy (Includes symbols 1 thru 11)

(*) For hot water or caustic service.

NOTE 1: Impeller and raceway must be ordered as a repair kit.
NOT available individually.

NOTE 2: For pumps manufactured prior to MARCH of 1985 call factory for power frame parts availability.

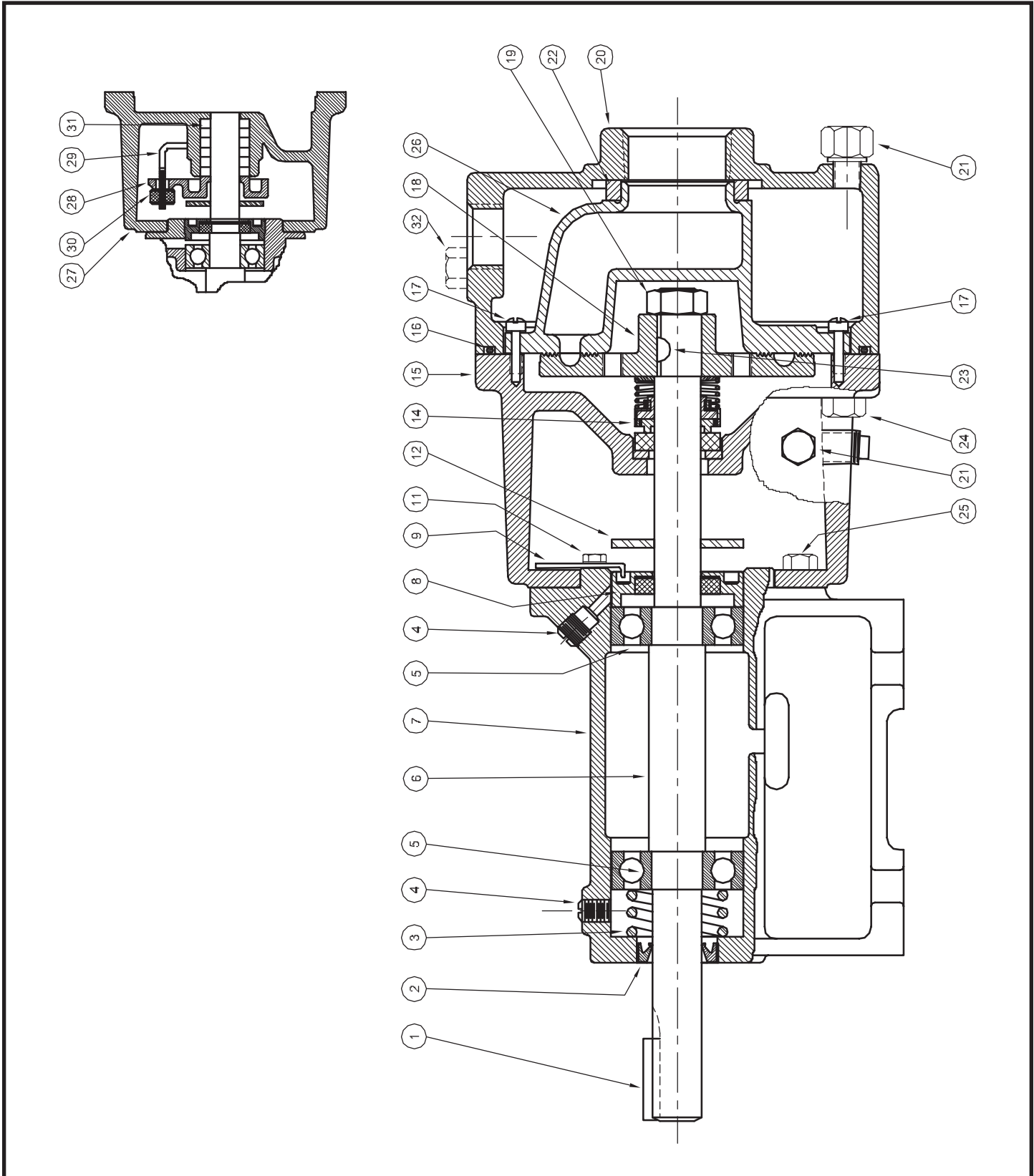
SYMBOL NUMBER	PART NUMBER	QTY	DESCRIPTION
1	01420	1	Key
2	22926	1	Shaft
3	09529	1	Oil Seal
4	09528	1	Spring
5	01691	2	Plug, 1/8"
6	00629	1	Ball Bearing
7	02726	2	Washer - Bearing Back Up
8	22923	1	Bearing Housing
9	21000	1	Ball Bearing
10	09162	1	Impeller Adjusting Screw
11	08105	1	Slinger
12	03121-B	4	Cap Screw
13	08514	1	Mechanical Seal - Buna-N (Std)
	09762	1	Mechanical Seal - Viton
	20764-C	1	Mechanical Seal - EPT*
14	09521-C	1	Frame (for mechanical seal)
15	09530	2	O-Ring Gasket - Buna-N (Std)
	09699	2	O-Ring Gasket - Viton
	22134	2	O-Ring Gasket - EPT*
	09530-T	2	O-Ring Gasket - Teflon
16	09525-B	1	Raceway Housing
17	21472	1	O-Ring Gasket - Viton (Std)
	22065	1	O-Ring Gasket - Teflon
18	02258-A	1	Impeller Locknut

REPAIR KITS FOR ET-SS SERIES PUMPS

REPAIR KIT P/N (STD Buna-N)	MODEL	REPAIR KIT P/N (Viton)	MODEL	REPAIR KIT P/N (EPT)	MODEL
20158-5-SS	ET5M-SS	20158-5-MV-SS	ET5MV-SS	20158-5-ME-SS	ET5ME-SS
20158-6-SS	ET6M-SS	20158-6-MV-SS	ET6MV-SS	20158-6-ME-SS	ET6ME-SS
20158-7-SS	ET7M-SS	20158-7-MV-SS	ET7MV-SS	20158-7-ME-SS	ET7ME-SS

KIT INCLUDES: Impeller, Raceway, Shaft Seal, O-Ring Gaskets, Impeller Locknut, and Instructions.

Turbines - Base Mounted



SYMBOL NUMBER	PART NUMBER	QTY	DESCRIPTION
23	01457	1	Key, Woodruff (as shown) (repair kit only)
	21748-A	1	Key, Square
24	01931	4	Cap Screw, 7/16-14 x 1¼" Lg
25	03121	4	Cap Screw, 1/4-20 x 3/4" Lg
	09789-5	1	Raceway - ES5M
	09789-6	1	Raceway - ES6M
26	09789-7	1	Raceway - ES7M
	09789-8	1	Raceway - ES8M
	09789-9	1	Raceway - ES9M
27	09792	1	Frame (for stuffing box)
28	05812-B	1	Gland, Stuffing Box
29	07003	2	Gland Bolt
30	04211	2	Gland Nut
31	05468	5	Packing
32	02953	1	Pipe Plug - 1/2"
	21348	1	Power Frame Assy (Includes symbols 1 thru 8 and 12)
DIFFERING PARTS FOR ALL BRONZE CONSTRUCTION			
15	09787-A	1	Frame (for mechanical seal)
27	09792-A	1	Frame (for packing gland)
20	09790-C	1	Case
25	03121-A	4	Cap Screw
24	08771	4	Cap Screw - SS

(*) Standard impellers are suitable for fluid temperatures to 250°F (121°C). For higher temperatures, add the designation "HT" to impeller part number. This includes all "MJ" Jacketed Seal Pumps. EXAMPLE: SA09788-HT-5

NOTE 1: Impeller and raceway must be ordered as a repair kit. NOT available individually..

SYMBOL NUMBER	PART NUMBER	QTY	DESCRIPTION
1	01420	1	Key
2	20939	1	Oil Seal
3	20922	1	Spring
4	01691	2	Plug, 1/8"
5	21463	2	Bearing
6	20921	1	Shaft
7	20920	1	Bearing Housing
8	09781	1	Impeller Adjusting Screw
9	07576	1	Lock, Adjusting Screw
11	07577	1	Screw - #10-24 x 3/8" Lg
12	08324	1	Slinger Washer
	08991	1	Mechanical Seal - Buna-N (Std)
14	09813-C	1	Mechanical Seal - Viton
	21934	1	Mechanical Seal - EPT
15	09787	1	Frame (for mechanical seal)
16	09791	1	O-Ring Gasket - Buna-N (Std)
	09817	1	O-Ring Gasket - Viton
	22135	1	O-Ring Gasket - EPT
	22104	1	O-Ring Gasket - Teflon
17	02535	2	Screw, Raceway to Frame
* 18	SA09788-5	1	Impeller - ES5M
	SA09788-6	1	Impeller - ES6M
	SA09788-7	1	Impeller - ES7M
	SA09788-HT-8	1	Impeller - ES8M
	SA09788-HT-9	1	Impeller - ES9M
19	01404	1	Impeller Locknut
20	09790-B	1	Case
21	04236	3	Pipe Plug - 1/4"
22	04231	1	Suction Sleeve - Buna-N (Std)
	09695	1	Suction Sleeve - Viton
	20285	1	Suction Sleeve - EPT

REPAIR KITS FOR ES SERIES PUMPS

REPAIR KIT PN (Std Buna-N)	MODEL	REPAIR KIT PN (Viton)	MODEL	REPAIR KIT PN (EPT)	MODEL	REPAIR KIT PN (High Temp)	MODEL	REPAIR KIT PN (High Temp with Cooling Jacket)	MODEL
20522-5	ES5M	20522-5-MV	ES5MV	20522-5-ME	ES5ME	20522-HT-5	ES5MV-HT	20522-5-MJ	ES5MJ
20522-6	ES6M	20522-6-MV	ES6MV	20522-6-ME	ES6ME	20522-HT-6	ES6MV-HT	20522-6-MJ	ES6MJ
20522-7	ES7M	20522-7-MV	ES7MV	20522-7-ME	ES7ME	20522-HT-7	ES7MV-HT	20522-7-MJ	ES7MJ
20522-8	ES8M	20522-8-MV	ES8MV	20522-8-ME	ES8ME	20522-HT-8	ES8MV-HT	20522-8-MJ	ES8MJ
20522-9	ES9M	20522-9-MV	ES9MV	20522-9-ME	ES9ME	20522-HT-9	ES9MV-HT	20522-9-MJ	ES9MJ

KIT INCLUDES: Impeller, Raceway and Screws, Shaft Seal, Suction Sleeve, Impeller Locknut and Key, and Instructions.

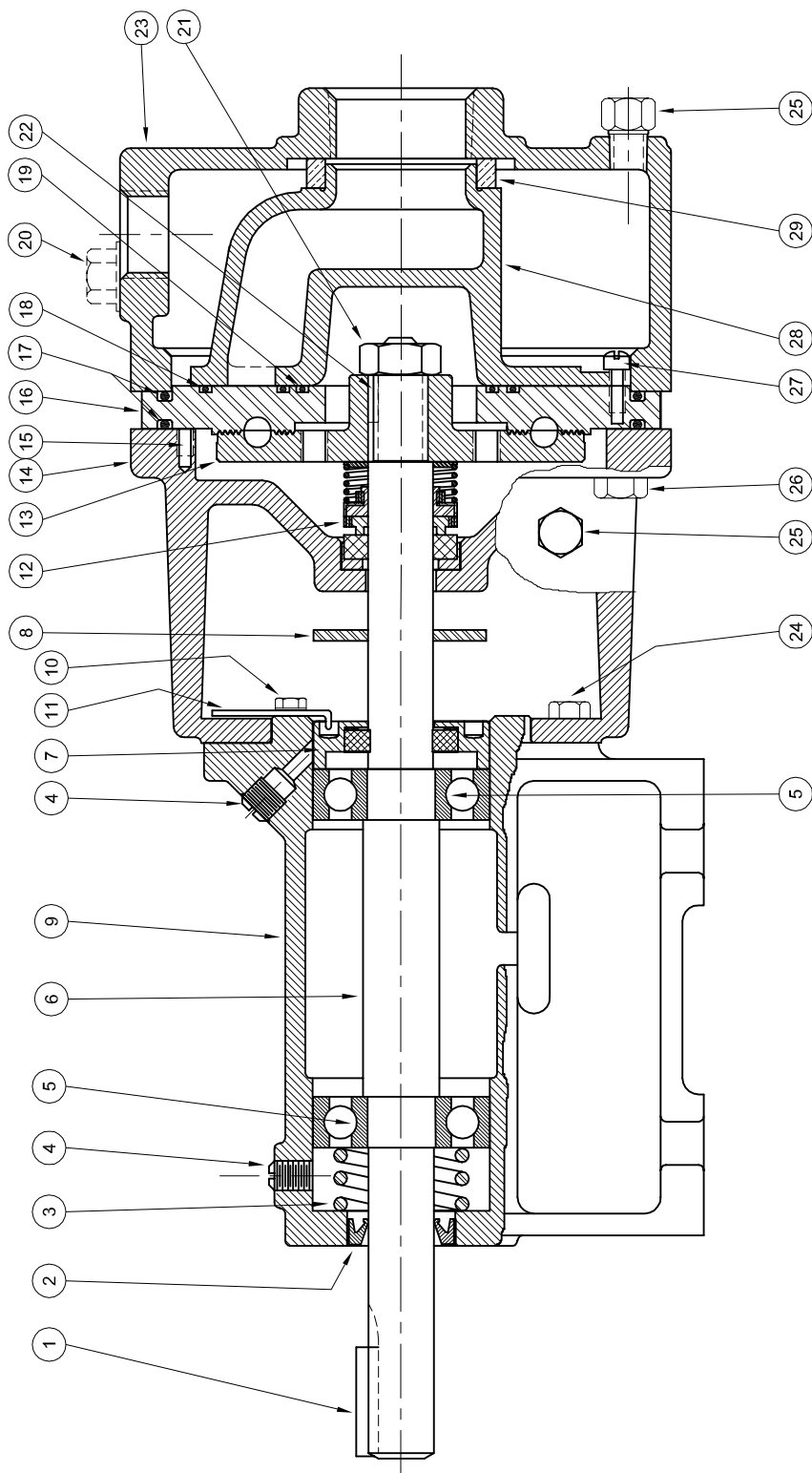
Series: ES

Stainless Steel

burks®

www.cranepumps.com

Turbines - Base Mounted



SECTION TBMP
PAGE 86
DATE 2/05

CRANE®

A Crane Co. Company

PUMPS & SYSTEMS

USA: (937) 778-8947 • Canada: (905) 457-6223 • International: (937) 615-3598

SYMBOL NUMBER	PART NUMBER	QTY	DESCRIPTION
18	23021	2	O-Ring Gasket - Buna-N (Std)
	21472	2	O-Ring Gasket - Viton
	22843	2	O-Ring Gasket - EPT*
	22065	2	O-Ring Gasket - Teflon
19	23081	1	O-Ring Gasket - Buna-N (Std)
	22867	1	O-Ring Gasket - Viton
	23082	1	O-Ring Gasket - EPT*
	22868	1	O-Ring Gasket - Teflon
20	02953-B	1	Pipe Plug, 1/2" Sq. Hd.
21	01404-A	1	Impeller Locknut
22	21748-A	1	Key
23	22859	1	Case
24	23822	4	Cap Screw
25	04236-A	2	Pipe Plug, 1/4"
26	02648-A	4	Cap Screw
27	02535	2	Screw
28	22862	1	Raceway Housing
29	04231	1	Suction Sleeve - Buna-N (Std)
	09695	1	Suction Sleeve - Viton
	20285	1	Suction Sleeve - EPT*
	21348	1	Power Frame Assy (Includes symbols 1 thru 9)

(*) For hot water or caustic service.

NOTE 1: Impeller and raceway must be ordered as a repair kit.
NOT available individually..

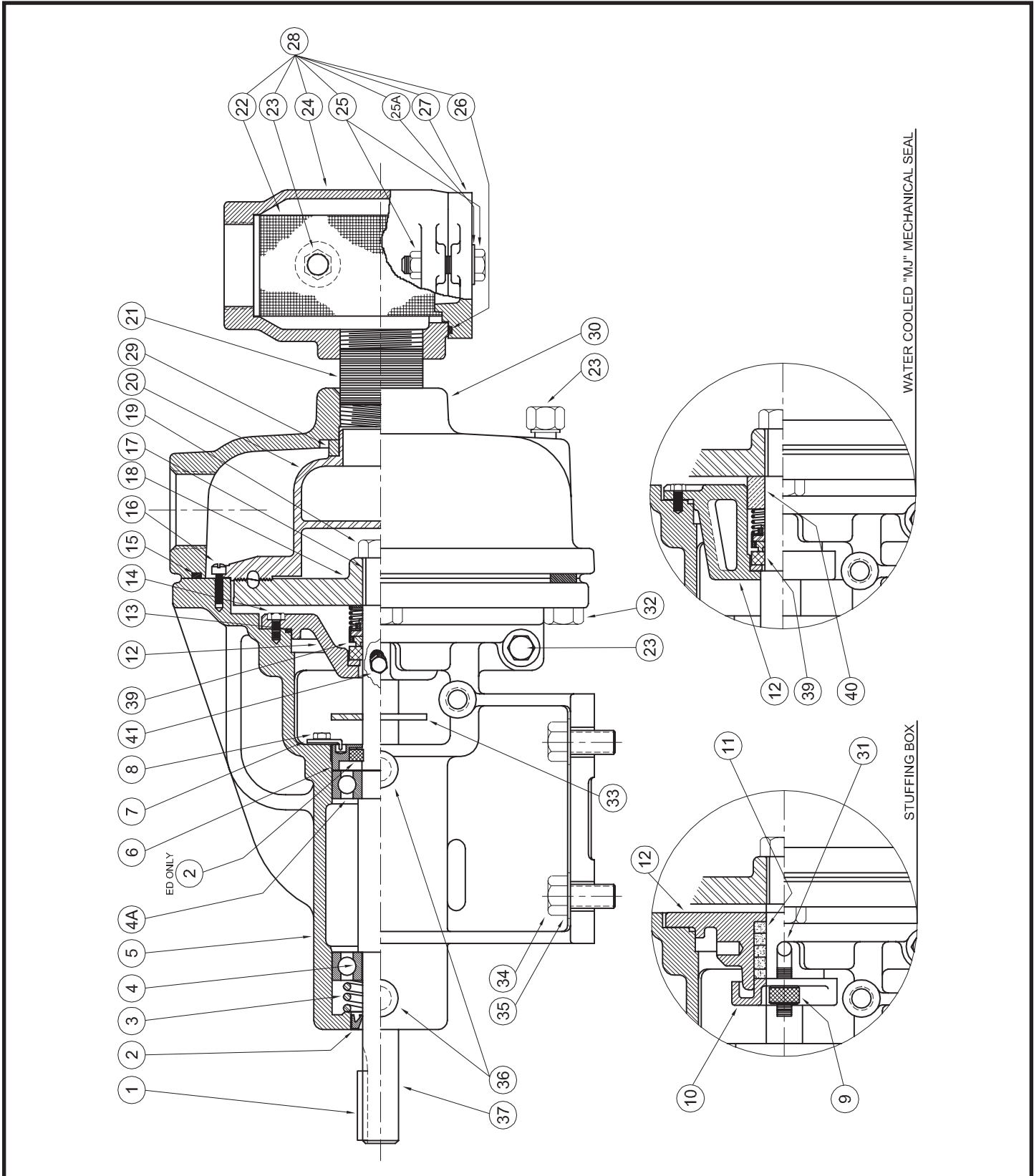
SYMBOL NUMBER	PART NUMBER	QTY	DESCRIPTION
1	01420	1	Key
2	20939	1	Oil Seal
3	20922	1	Spring
4	01691	2	Plug, 1/8"
5	21463	2	Bearing
6	20921	1	Shaft
7	09781	1	Impeller Adjusting Screw
8	08324	1	Slinger Washer
9	20920	1	Bearing Housing
10	07577	1	Screw
11	07576	1	Lock
12	08991	1	Mechanical Seal - Buna-N (Std)
	09813-C	1	Mechanical Seal - Viton
	21934	1	Mechanical Seal - EPT*
13	SA09788-A-5	1	Impeller - ES5M-SS
	SA09788-A-6	1	Impeller - ES6M-SS
	SA09788-A-7	1	Impeller - ES7M-SS
	SA09788-A-8	1	Impeller - ES8M-SS
	SA09788-A-9	1	Impeller - ES9M-SS
14	22860	1	Frame
15	23100	1	Pin
16	22861-5	1	Raceway, Plate Type - ES5M-SS
	22861-6	1	Raceway, Plate Type - ES6M-SS
	22861-7	1	Raceway, Plate Type - ES7M-SS
	22861-8	1	Raceway, Plate Type - ES8M-SS
	22861-9	1	Raceway, Plate Type - ES9M-SS
17	22863	2	O-Ring Gasket - Buna-N (Std)
	22864	2	O-Ring Gasket - Viton
	22865	2	O-Ring Gasket - EPT*
	22866	2	O-Ring Gasket - Teflon

REPAIR KITS FOR ES-SS SERIES PUMPS

REPAIR KIT P/N (STD Buna-N)	MODEL	REPAIR KIT P/N (Viton)	MODEL	REPAIR KIT P/N (EPT)	MODEL
20522-5-SS	ES5M-SS	20522-5-SS-MV	ES5M-SS-MV	20522-5-SS-ME	ES5M-SS-ME
20522-6-SS	ES6M-SS	20522-6-SS-MV	ES6M-SS-MV	20522-6-SS-ME	ES6M-SS-ME
20522-7-SS	ES7M-SS	20522-7-SS-MV	ES7M-SS-MV	20522-7-SS-ME	ES7M-SS-ME
20522-8-SS	ES8M-SS	20522-8-SS-MV	ES8M-SS-MV	20522-8-SS-ME	ES8M-SS-ME
20522-9-SS	ES9M-SS	20522-9-SS-MV	ES9M-SS-MV	20522-9-SS-ME	ES9M-SS-ME

KIT INCLUDES: Impeller, Raceway and Screws, Shaft Seal, Suction Sleeve, O-Ring Gaskets, Impeller Locknut and Key, Pin, Adjusting Screw and Lock, and Instructions.

Turbines - Base Mounted



SECTION TBMP
PAGE 88
DATE 11/07



A Crane Co. Company

PUMPS & SYSTEMS

USA: (937) 778-8947 • Canada: (905) 457-6223 • International: (937) 615-3598

SYMBOL NUMBER	PART NUMBER	QTY	DESCRIPTION	
18	SA07215	1	Impeller - 1/4" - EC4	
	SA02034	1	Impeller - 5/16" - EC5	
	SA07216	1	Impeller - 3/8" - EC6	
	SA01806	1	Impeller - 7/16" - EC7	
	SA01807	1	Impeller - 1/2" - EC8	
	SA02545	1	Impeller - 9/16" - EC9	
	SA01477	1	Impeller - 5/8" - EC10	
	SA07217	1	Impeller - 1/2" - ED8	
	SA05600	1	Impeller - 9/16" - ED9	
	SA05237	1	Impeller - 5/8" - ED10	
19	SA07218	1	Impeller - 11/16" - ED11	
	SA05582	1	Impeller - 3/4" - ED12	
	SA07219	1	Impeller - 7/8" - ED14	
	01404	1	Locknut, Impeller - EC	
	05037	1	Locknut, Impeller - ED	
	20	07203	1	Raceway - 1/4" - EC4
		07204	1	Raceway - 5/16" - EC5
		07205	1	Raceway - 3/8" - EC6
		07206	1	Raceway - 7/16" - EC7
		07207	1	Raceway - 1/2" - EC8
07208		1	Raceway - 9/16" - EC9	
07209		1	Raceway - 5/8" - EC10	
05603		1	Raceway - 1/2" - ED8	
05604		1	Raceway - 9/16" - ED9	
07210		1	Raceway - 5/8" - ED10	
21	05529	1	Raceway - 11/16" ED11	
	05583	1	Raceway - 3/4" - ED12	
	05585	1	Raceway - 7/8" - ED14	
	02866	1	Nipple - EC	
	05540	1	Nipple - ED	
22	01407	1	Screen - EC	
	04646	1	Screen - ED	
23	04236	4	Plug	
24	05514	1	Body Strainer - EC	
	05380	1	Body Strainer - ED	
25	08683	2	Bolt w/Nut - EC	
	05383	2	Bolt w/Nut - ED	
25A	01609-A	2	Washer - EC	
	01609-B	2	Washer - EC	
	002553	2	Washer - ED	
	082209	2	Washer - ED	

NOTE 1: Impeller and raceway must be ordered as a repair kit.
NOT available individually..

"CONTINUED ON NEXT PAGE"

SYMBOL NUMBER	PART NUMBER	QTY	DESCRIPTION
1	01420	1	Key - EC
	03234	1	Key - ED
2	20939	1	Oil Seal - EC
	21332	2	Oil Seal - ED
3	20922	1	Spring - EC
	21373	1	Spring - ED
4	21463	1	Bearing - EC
4A	21473	1	Bearing - ED
	21463	1	Bearing - EC
5	625-00719	1	Bearing - ED
	21302	1	Housing, Bearing - EC
	21325	1	Housing, Bearing - ED
6	09781	1	Adjusting Screw - EC
	21323	1	Adjusting Screw - ED
7	07576	1	Lock, Adjusting Screw
8	07577	1	Screw
9	04211	2	Nut
10	05812-B	1	Gland, Stuffing Box - EC
	04643	1	Gland, Stuffing Box - ED
11	05468	5	Packing - EC
	05539	6	Packing - ED
12	21306	1	Housing, Stuffing Box - EC
	21319	1	Housing, Stuffing Box - ED
	21308	1	Housing, Mechanical Seal - EC
12	21320	1	Housing, Mechanical Seal - ED
	21309	1	Housing, Water Cooled Mech. Seal - EC-MJ
12	21318	1	Housing, Water Cooled Mech. Seal - ED-MJ
	13	21337	1
21547		1	Gasket, Housing - Viton - EC
22131		1	Gasket, Housing - EPT - EC
22057		1	Gasket, Housing - Teflon - EC-MJ
21333		1	Gasket, Housing - Buna-N - ED (Std)
13	21546	1	Gasket, Housing - Viton - ED
	22132	1	Gasket, Housing - EPT - ED
13	22058	1	Gasket, Housing - Teflon - ED-MJ
	14	21339	6
15	21338	1	Gasket, Case - Buna-N - EC (Std)
	21548	1	Gasket, Case - Viton - EC
	22136	1	Gasket, Case - EPT - EC
	22059	1	Gasket, Case - Teflon - EC-MJ
	21328	1	Gasket, Case - Buna-N - ED (Std)
15	21545	1	Gasket, Case - Viton - ED
	22137	1	Gasket, Case - EPT - ED
15	22060	1	Gasket, Case - Teflon - ED-MJ
	16	04227	2
17	21748-A	1	Key - EC
	21749-A	1	Key - ED

SYMBOL NUMBER	PART NUMBER	QTY	DESCRIPTION
40	21353	1	Shaft Sleeve - EC-MJ
	21352	1	Shaft Sleeve - ED-MJ
	01691-A	1	Plug 1/8"
	21549	1	Power Frame Assy - EC
	21551	1	Power Frame Assy - ED
DIFFERING PARTS FOR ALL BRONZE CONSTRUCTION			
5	21302-A	1	Housing, Bearing - EC
	21325-A	1	Housing, Bearing - ED
12	21306-A	1	Housing, Stuffing Box - EC
	21319-A	1	Housing, Stuffing Box - ED
	21308-A	1	Housing, Mech. Seal - EC
	21320-A	1	Housing, Mech. Seal - ED
	21309-A	1	Housing, Water-Cooled Mech. Seal - EC-MJ
	21318-A	1	Housing, Water-Cooled Mech. Seal - ED-MJ
21	07277	1	Nipple - EC
28	05538	1	Nipple - ED
	07183-A	1	Strainer Assy - EC
30	07184-A	1	Strainer Assy - ED
	21304-A	1	Case - EC
32	21317-A	1	Case - ED
	08771	6	Cap Screw - EC (SS)
	03106-A	6	Cap Screw - ED
	21550	1	Power Frame Assy - EC
	21552	1	Power Frame Assy - ED

NOTE 1: Impeller and raceway must be ordered as a repair kit.
NOT available individually..

REPAIR KITS FOR EC & ED SERIES PUMPS			
REPAIR KIT P/N	MODEL	REPAIR KIT P/N	MODEL
21707-04	EC4	21710-08	ED8
21707-05	EC5	21710-09	ED9
21707-06	EC6	21710-10	ED10
21707-07	EC7	21710-11	ED11
21707-08	EC8	21710-12	ED12
21707-09	EC9	21710-14	ED14
21707-10	EC10		
KIT INCLUDES: Impeller, Raceway and Instructions.			

SYMBOL NUMBER	PART NUMBER	QTY	DESCRIPTION
26	21732	1	Gasket, Strainer - Buna-N - EC (Std)
	21733	1	Gasket, Strainer - Viton - EC
	22130	1	Gasket, Strainer - EPT - EC
	22056	1	Gasket, Strainer - Teflon - EC-MJ
	21337	1	Gasket, Strainer - Buna-N - ED (Std)
	21547	1	Gasket, Strainer - Viton - ED
	22131	1	Gasket, Strainer - EPT - ED
	22057	1	Gasket, Strainer - Teflon - ED-MJ
	05125	1	Cap - EC
	05381	1	Cap - ED
27	07183	1	Strainer Assy - EC
	07184	1	Strainer Assy - ED
28	04231	1	Suction Sleeve - Buna-N -EC (Std)
	09695	1	Suction Sleeve - Viton - EC
	20285	1	Suction Sleeve - EPT - EC
	22100	1	Suction Sleeve - Teflon - EC-MJ
	09853	1	Retainer, Suction Sleeve - EC-MJ (Not Shown)
	04652	1	Suction Sleeve - Buna-N - ED (Std)
	09844	1	Suction Sleeve - Viton - ED
	22222	1	Suction Sleeve - EPT - ED
	22061	1	Suction Sleeve - Teflon - ED-MJ
	22062	1	Retainer, Suction Sleeve - ED-MJ (Not Shown)
29	21304	1	Case - EC
	21317	1	Case - ED
30	07003	2	Gland Bolt
31	01931	6	Cap Screw - EC
	03106	6	Cap Screw - ED
32	08324	1	Slinger Washer - EC
	02831	1	Slinger Washer - ED
33	1-68-6	4	Cap Screw
	20059	4	Washer
34	01691	2	Pipe Plug, 1/8"
	20921	1	Shaft - EC
35	21324	1	Shaft - ED
	08991	1	Mechanical Seal - Buna-N - EC (Std)
36	09813-C	1	Mechanical Seal - Viton - EC
	21934	1	Mechanical Seal - EPT - EC
	20499-C	1	Mechanical Seal - Viton/Ni-Resist - EC-MJ
	21942	1	Mechanical Seal - Buna-N - ED (Std)
37	21943	1	Mechanical Seal - Viton - ED
	21935	1	Mechanical Seal - EPT - ED
	21857	1	Mechanical Seal - Viton/Ni-Resist - ED-MJ

SECTION TBMP
PAGE 90
DATE 7/15



A Crane Co. Company

PUMPS & SYSTEMS

USA: (937) 778-8947 • Canada: (905) 457-6223 • International: (937) 615-3598

SYMBOL NUMBER	DESCRIPTION	PART NUMBER	PART NUMBER
		PUMP SERIES G5-1-1/4 GNA5-1-1/4	PUMP SERIES G6-1-1/4 GNA6-1-1/4
1	Shaft Seal - Viton/Ni-Resist	20498-C	20498-C
2	Adapter	09825-A	09657-B
3	Gasket	20487	20487
4	Throttle Bushing	20523	20523
5	Flat Gasket	20532	20533
6	Cup Washer Spacer	20524	20524
*	Adapter Assy	22253	22254
** 7	O-ring - Viton	23535	23535
	O-ring - Kalrez	23573	23573
8	Impeller	09680-E	09680-E

(*) Include Symbols 2, 3 & 4.

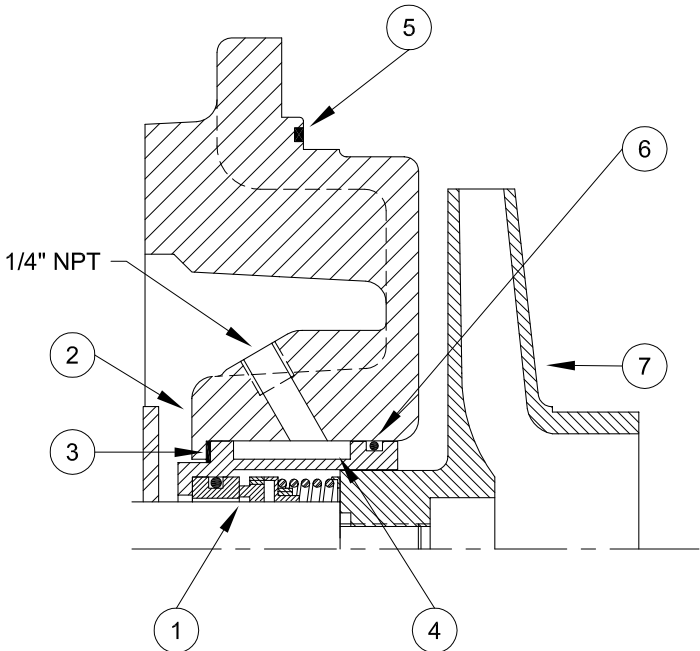
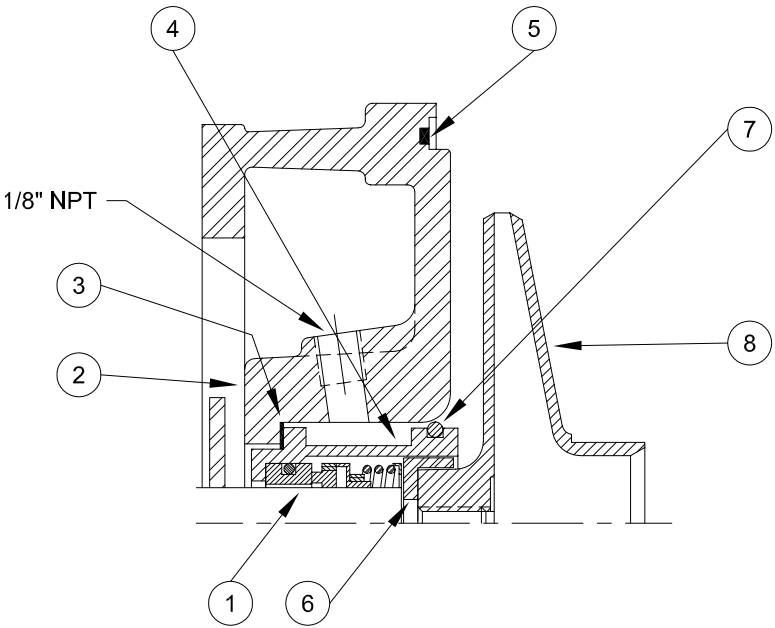
(**) NOTE: For temperatures below 400° F (204.4°C) use Viton O-ring.
For temperatures above 400° F (204.4°C) use Kalrez O-ring.

Only the parts used exclusively in "MJ" construction are listed. All other parts are common to pumps of standard construction and are listed on the appropriate repair parts list for each series.

SYMBOL NUMBER	DESCRIPTION	PART NUMBER PUMP SERIES GNA6-1-1/2
1	Shaft Seal - Viton/Ni-Resist	20498-C
2	Adapter	20588-B
3	Gasket	20487
4	Throttle Bushing	20523
♦ 5	O-ring - Teflon Flat Gasket	23002 09916
** 6	O-ring - Viton O-ring - Kalrez	23535 23573
7	Impeller	20975-E

(♦) Series G & GN pumps have been manufactured with either flat or O-ring type gaskets. Determine which type is required before ordering. When in doubt, order flat gasket.
Pump Series GNA6-1-1/2 is not available for pumps over 400°F. Consult Engineering for using 'MJ' on this series.

***O-RING THROTTLE BUSHING STARTED AT SERIAL NUMBER 676320**



SYMBOL NUMBER	DESCRIPTION	PART NUMBER PUMP SERIES GA5-1
3	Adapter	22753
8	Shaft Seal - Viton/Ni-Resist	20498-C
9	O-ring - Teflon	22058
13	Cup Washer - Bronze Cup Washer - Steel	23491 23491-A

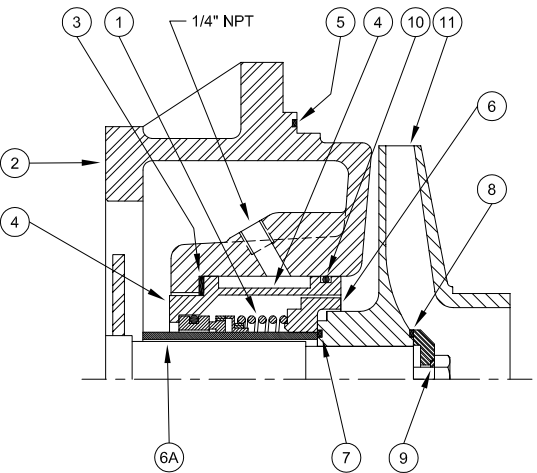
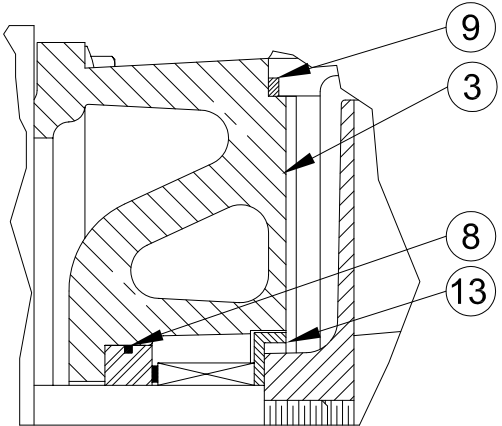
Only the parts used exclusively in "MJ" construction are listed. All other parts are common to pumps of standard construction and are listed on the appropriate repair parts list for each series.

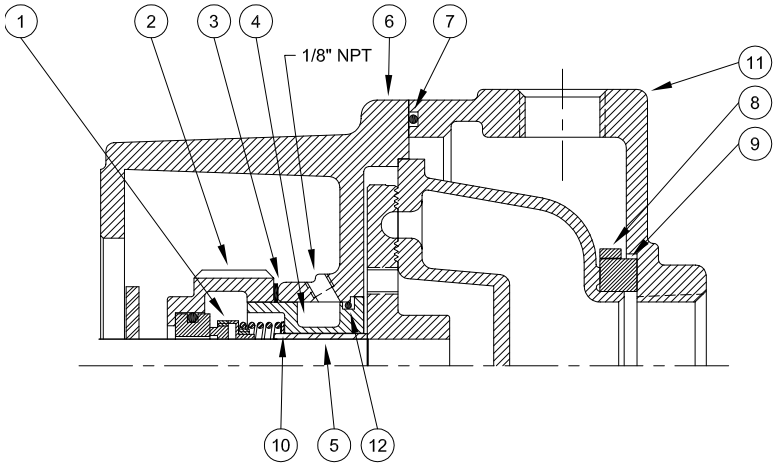
SYMBOL NUMBER	DESCRIPTION	PUMP SERIES G6-1-1/2, 2 143-184JM	PUMP SERIES G6-2, 2-1/2 213-215JM	PUMP SERIES G7-2, G7A-2 182-184JM	PUMP SERIES G7-2, G7A-2 213-215JM
1	Shaft Seal - Viton/Ni-Resist	20500-C	20500-C	20500-C	20500-C
2	Adapter	09912-A	09920-A	20650-B	20419-A
3	Gasket	20527	20527	20527	20527
4	Throttle Bushing	20525	20525	20525	20525
5	Flat Gasket	09916	09916	20418	20418
6 6A	Cup Washer Spacer & Shaft Sleeve Assy	22175	22175	22175	22175
7	O-ring - Teflon Flat Gasket	22085 09911	22085 09911	22085 09911	22085 09911
8	O-ring - Teflon Flat Gasket	22085 09933	22085 09933	22085 09933	22085 09933
9	O-ring - Teflon	22082	22082	22082	22082
** 10	O-ring - Viton O-ring - Kalrez	23536 23574	23536 23574	23536 23574	23536 23574
11	Impeller	(Use Standard Impeller Number with "-E" Suffix)			
*	Adapter Assy	20668	22255	22256	22257

(*) Include Symbols 2, 3 & 4.

(**) NOTE: For temperatures below 400° F (204.4°C) use Viton O-ring.
For temperatures above 400° F (204.4°C) use Kalrez O-ring.

(♦) Series G & GN pumps have been manufactured with either flat or O-ring type gaskets. Determine which type is required before ordering. When in doubt, order flat gasket.

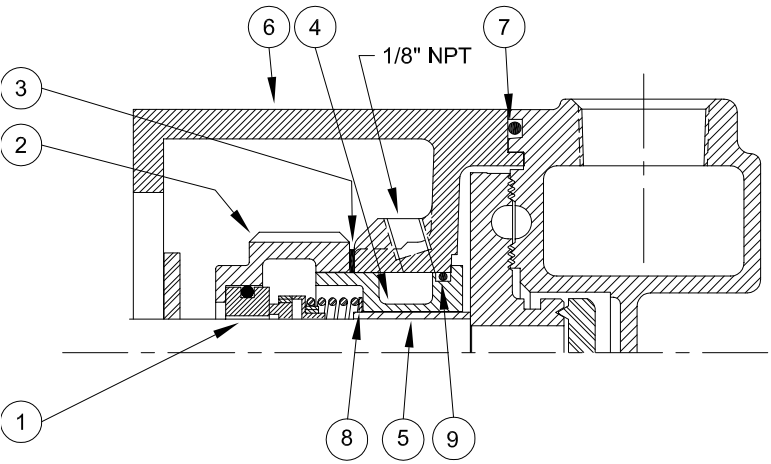




SYMBOL NUMBER	DESCRIPTION	PUMP SERIES CS/ES
1	Shaft Seal - Viton/Ni-Resist	20499-C
2	Seal Cap	20490
3	Gasket	20489
4	Throttle Bushing	20491
5	Spacer Sleeve	20492
6	Frame for O-ring	09792-G
	Frame for Flat Gasket	09792-E
♦ 7	O-ring	22104
	Flat Gasket	09851
8	Sleeve	09853
9	Packing - Teflon	22100
10	Backup Washer	01335
11	Case for O-ring	09790-B
	Case for Flat Gasket	09790-D
*	Frame Assy	22259
** 12	O-ring - Viton	23534
	O-ring - Kalrez	23572
	Impeller	SA09788-HT

(* Include Symbols 4, 6 & 12 (Viton O-ring).

(♦) Series CS-MJ & ES-MJ pumps have been manufactured with either flat or O-ring type gaskets. Determine which type is required before ordering. When in doubt, order flat gasket. These parts are **NOT** interchangeable.



SYMBOL NUMBER	DESCRIPTION	PUMP SERIES CT/ET
1	Shaft Seal - Viton/Ni-Resist	20498-C
2	Seal Cap	20486
3	Gasket	20487
4	Throttle Bushing	20511
5	Spacer Sleeve	20512
6	Frame	09522-D
7	O-ring - Teflon	09530-T
8	Washer	07441-A
** 9	O-ring - Viton	23533
	O-ring - Kalrez	23571
*	Frame Assy	22258
	Impeller	SA09524-HT

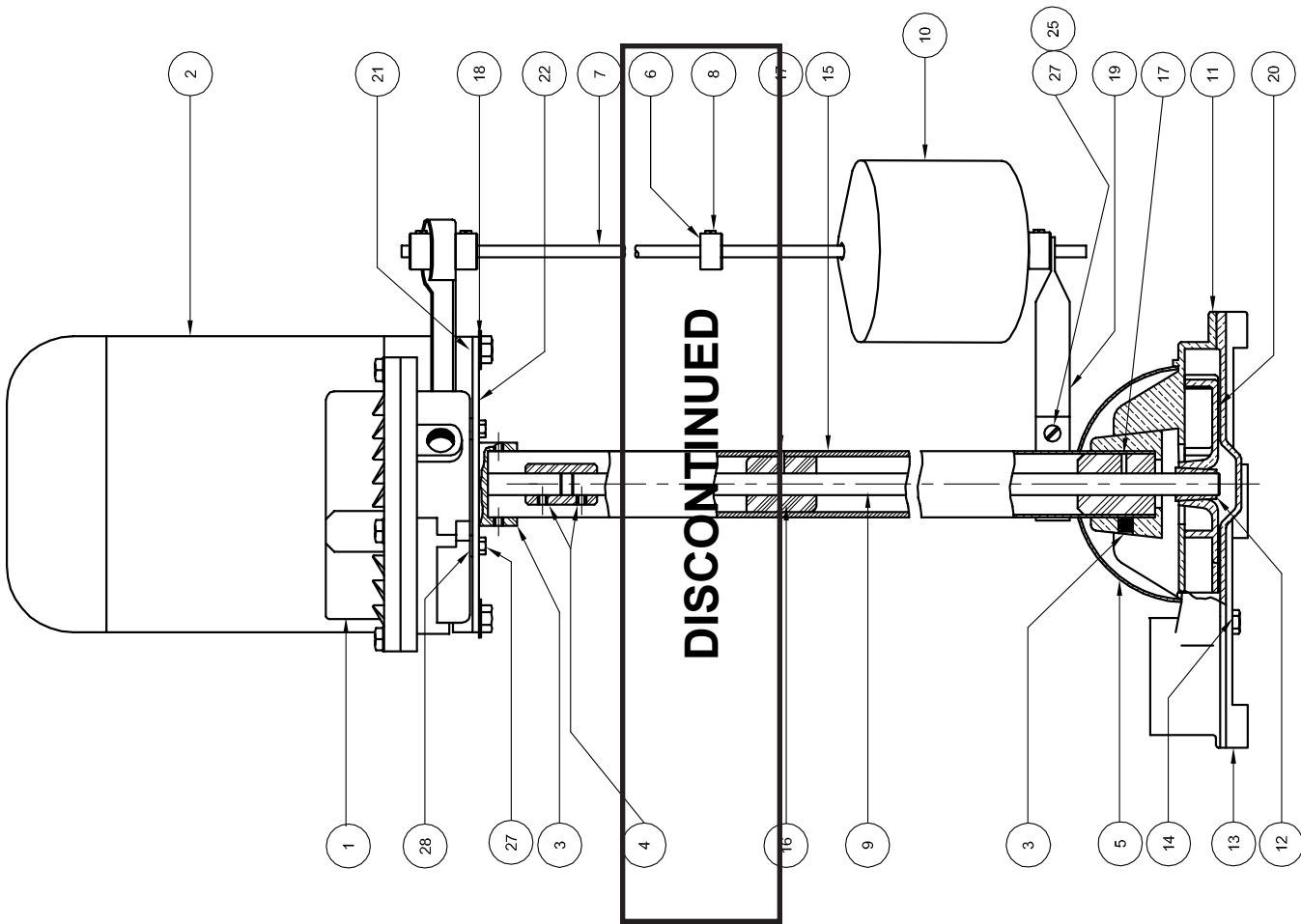
(* Include Symbols 4, 6 & 9 (Viton O-ring).

(**) NOTE: For temperatures below 400° F (204.4°C) use Viton O-ring.
For temperatures above 400° F (204.4°C) use Kalrez O-ring.

Use Hi-Temperature impellers on CT/ET & CS/ES "MJ" Turbine Pumps.

Only the parts used exclusively in "MJ" construction are listed. All other parts are common to pumps of standard construction and are listed on the appropriate repair parts list for each series.

Sump Pumps



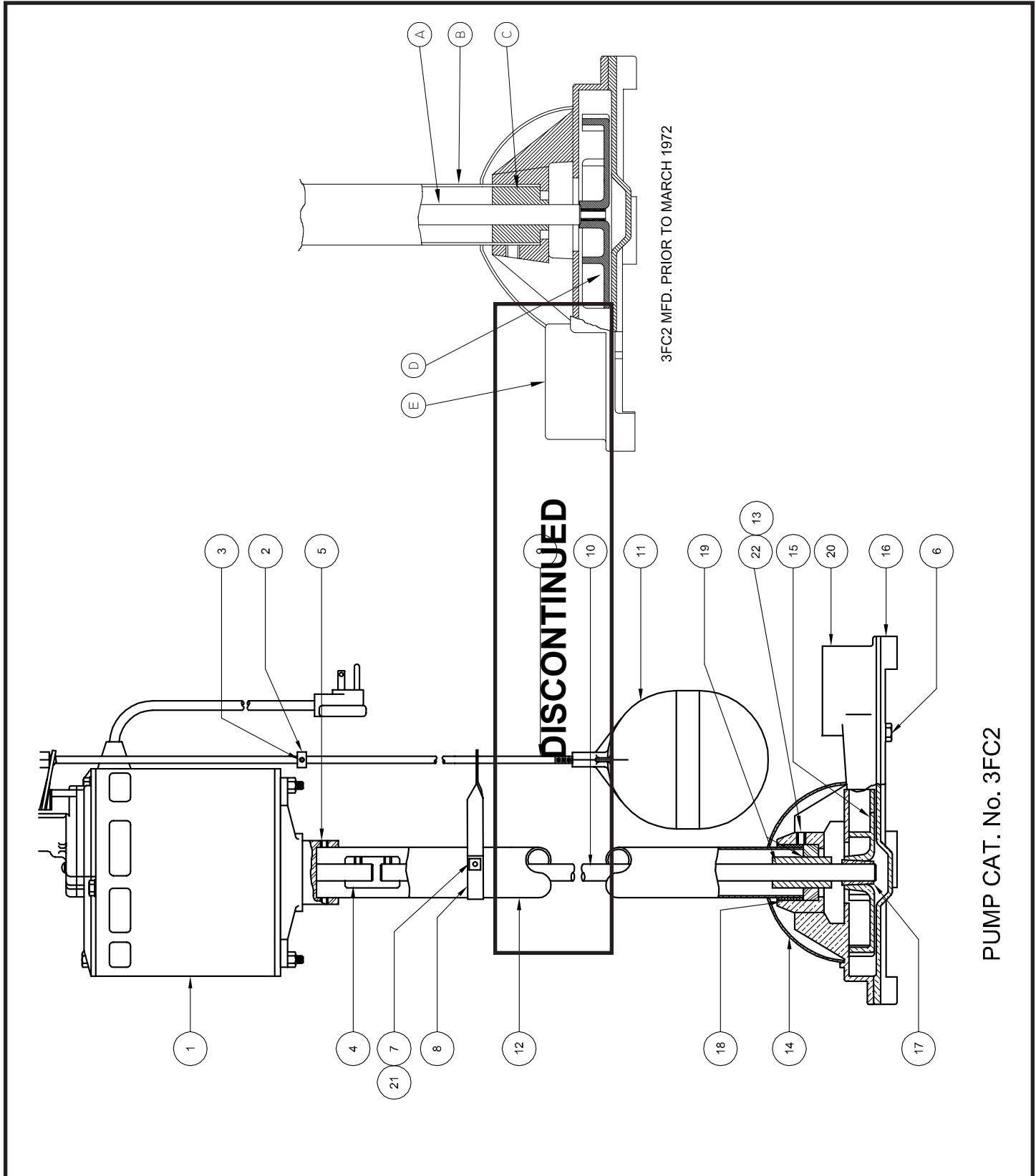
SYMBOL NUMBER	PART NUMBER	QTY	DESCRIPTION
16	23143	2	Bearing
17	23147	2	Pin
18	21236	4	Cap Screw
19	23208	1	Float Rod Bracket
20	09356-C	1	Impeller
21	23103-A	1	Adapter
22	23239	1	Switch Bracket
25	15-5-1	1	Hex Nut
26	21022	1	Socket Hd. Set Screw (Not Shown)
27	1-4-1	3	Hex Hd Screw
28	20-5-1	2	Flat Washer

(*) Column Assembly includes symbols 15, 16 & 17 use same Part No. suffix as column.

SYMBOL NUMBER	PART NUMBER	QTY	DESCRIPTION
1	23240	1	Switch
2	23225M	1	Motor - 1/3HP, 1PH., XP
3	08182	3	Set Screw, 5/16-18 x .38" Lg., SS
4	23204	1	Coupling
5	20669	1	Screen
6	09379	4	Stop Collar
7	23152-23.00	1	Float Rod, VS-1¼-2
	23152-47.00	1	Float Rod, VS-1¼-4
8	09403	4	Slotted Hd Set Screw, 1/4-20 x .25" Lg, Brass
9	23141-20.75	1	Shaft, VS-1¼-2
	23141-44.75	1	Shaft, VS-1¼-4
10	09373	1	Float
11	09354-A	1	Volute Housing
12	20553	3	Collet
13	09355-A	1	Base
14	08169	5	Cap Screw, 1/4-20 x .50" Lg., Bronze
15	23148-21.88	1	Column Assy *
	23148-45.88	1	Column Assy *

DISCONTINUED

Sump Pumps



Due to design changes made in these pumps, some parts currently being manufactured are not interchangeable with those previously used. To replace discontinued parts, order from the following listings.

SYMBOL NUMBER (INSET)	PART NEEDED	QTY	ORDER THESE PARTS FROM LIST AT LEFT
PUMPS MFD. PRIOR TO AUGUST 1970 (SERIAL NO. 0870)			
A	Shaft	1	Symbols, 10, 12, 15 & 17
B	Column	1	Symbols, 10, 12, 15 & 17
C	Bearing	1	Symbols, 18, 19 & 20
D	Impeller	1	Symbols, 10, 12, 15 & 17
E	Volute Housing	1	Symbols, 18, 19 & 20
PUMPS MFD. FROM TO AUGUST 1970 TO MARCH 1972 (SERIAL NO. 0870 to 0372)			
A	Shaft	1	Symbols, 10, 15 & 17
B	Column	1	Symbols, 12
C	Bearing	1	Symbols, 18, 19 & 20
D	Impeller	1	Symbols, 10, 15 & 17
E	Volute Housing	1	Symbols, 18, 19 & 20

SYMBOL NUMBER	PART NUMBER	QTY	DESCRIPTION
1	96136	1	Motor, 1/3HP 115V
2	09379	2	Float Rod Collar
3	09403	2	Slotted Hd Set Screw
4	09362	1	Flex Coupling
5	02756	3	Socket Hd, Set Screw, 1/4-20 x 1/4" Lg
6	08169	5	Cap Screw, 1/4-20 x 1/2" Lg
7	15-5-1	1	Square Nut
8	20871	1	Guide Rod Bracket
9	09365-A	1	Float Rod
10	20567	1	Shaft
11	09364	1	Float
12	20563	1	Column Tube
13	08182	1	Set Screw, 5/16-18 x 3/8" Lg, SS
14	20669	1	Strainer Screen
15	09356-C	1	Impeller
16	09355-A	1	Base
17	20553	1	Collet
18	20564	1	Sleeve
19	20569	1	Bearing & Support Assy
20	09354-C	1	Volute
21	1-4-1	1	Hex Hd Screw, 1/4-20 x .625" Lg, SS
22	21022	1	Set Screw, 5/16-18 x 5/8" Lg SS

DISCONTINUED

This Page Intentionally Left Blank