

**CGi - Gold Series Gas Boiler  
Weil-McLain**

Series 3

Water,

Induced Draft

NAT'L or LP

MBH: 50-233

Efficiency Range 82%-85%



**HIGH EFFICIENCY**

**EASY TO INSTALL AND SERVICE**

**MADE WITH WEIL-McLAIN QUALITY**

**APPLICATIONS INCLUDE:**

**Residential**

**Light Commercial**

**Multiple Boilers**

**Indirect-fired Water Heating**

**Radiant Heating**

*... And Much More*



**WEIL-McLAIN**

[www.weil-mclain.com](http://www.weil-mclain.com)

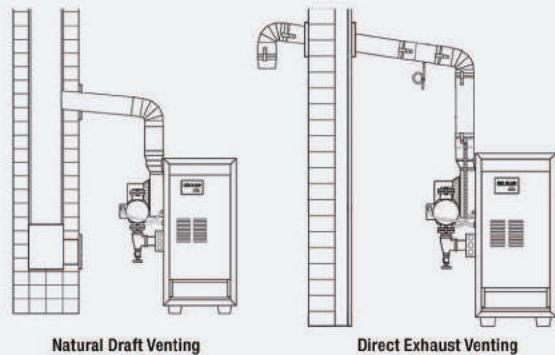


Model (1)	CSA Input MBH (2)	DOE Heating Capacity MBH (2)	Net AHRI Water Ratings MBH (3)	DOE Seasonal Efficiency Percent (AFUE)	Approx. Shipping Weight (Lbs)	Boiler Water Content (Gal.)	Minimum Vent Connector Diameter (4)
CGi-25	50	42	37	84.0	200	1.5	4" I.D.
CGi-3	60	51	45	85.1	200	1.5	4" I.D.
CGi-4	90	76	66	85.0	245	2.1	5" I.D.
CGi-5	119	100	87	83.3	290	2.7	5" I.D.
CGi-6	167	140	122	83.3	335	3.3	5" I.D.
CGi-7	200	167	145	83.0	390	3.8	5" I.D.
CGi-8	233	194	169	82.7	420	4.4	5" I.D.

**Notes:**

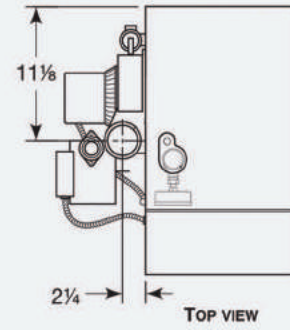
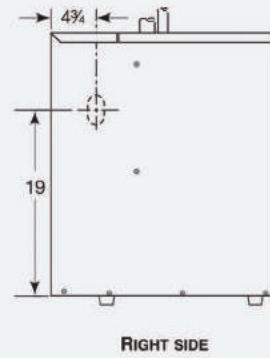
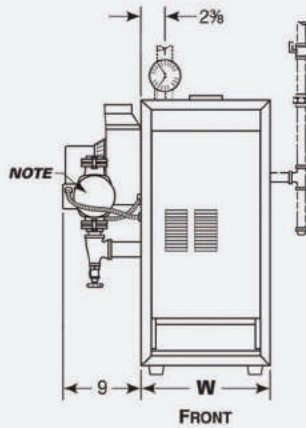
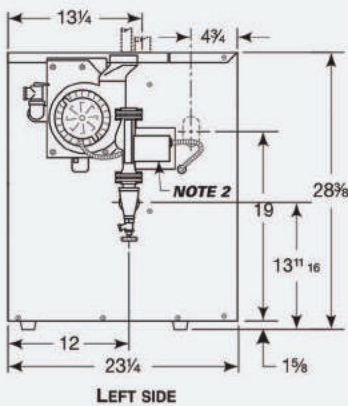
- (1) Add "PIN" for natural gas, "PIL" for propane.
  - (2) Based on standard test procedures prescribed by the United States Department of Energy.
  - (3) Net AHRI ratings are based on net installed radiation of sufficient quantity for the requirements of the building and nothing needs to be added for normal piping and pick-up. Ratings are based on a piping and pick-up allowance of 1.15. An additional allowance should be made for unusual piping and pick-up loads.
  - (4) Refer to National Fuel Gas Code, ANSI Z223.1-latest edition for chimney sizing and vent connector lengths.
- CGi boilers are C.S.A. design certified for installation on combustible flooring. Tested for 50 psi working pressure.

Dimensions



Model	Dimensions Inches W	Supply Piping In. (1)	Return Piping In. (1)	Nat or LP Gas Connection Size Inches	Crate Dimensions (Outside Measurements - In.)		
					Length	Width	Height
CGi-25	10	3/4	3/4	1/2	27	27 1/2	31 1/2
CGi-3	10	1	1	1/2	27	27 1/2	31 1/2
CGi-4	13	1	1	1/2	27	27 1/2	31 1/2
CGi-5	16	1	1	1/2	30	27 1/2	31 1/2
CGi-6	19	1 1/4	1 1/4	1/2	33	27 1/2	31 1/2
CGi-7	22	1 1/4	1 1/4	3/4	36	27 1/2	31 1/2
CGi-8	25	1 1/2	1 1/2	3/4	42	27 1/2	31 1/2

**Notes:** (1) Circulator flange supplied with boiler is same size as recommended pipe size. For supply and return boiler tapping size, see installation manual.



**Note:** Boiler circulator is shipped loose. Circulator may be mounted on either boiler supply or return piping. See dimension chart for pipe size of circulator flange provided.

Standard and Additional Equipment

**Standard Equipment:**

- Factory Tested
- Two-Piece Top Jacket Panel
- Insulated Extended Steel Jacket
- Cast Iron Sections with Built-in Air Separator
- Radiation Plates
- Steel Base
- Integrated Boiler Control Module with Intermittent Electronic Ignition System & Indicator/Diagnostic Lights
- Inducer Assembly
- Flue Gas Collector/Transition Assembly
- Combination Gas Valve for 24 Volt
- Wiring Harness

- Air Pressure Switch
- Non-Linting Pilot Burner
- High-Grade Stainless Steel Burners
- 40VA Transformer
- Electrical Junction Box
- Rollout Thermal Fuse Element
- High-Limit Temperature Control
- Circulator (when ordered)
- 30 PSI ASME Relief Valve (boiler sections tested for 50 PSI working pressure)
- Combination Pressure-Temperature Gauge
- Drain Valve

**Additional Equipment:**

- CGi AL29-4C® Starter
- Taco 007 Circulator
- Expansion Tank Package (expansion tank, fill & check valve, auto air vent and fittings): #109-sizes 3 thru 5; #110-sizes 6 thru 8. Shipped in separate carton.
- High Altitude Kits
- W-M 5 & 10 Year Homeowner Protection Plan
- W-M Indirect-fired Water Heaters
- W-M Pool Heaters
- W-M Baseboard Units

