



www.Source1Parts.com

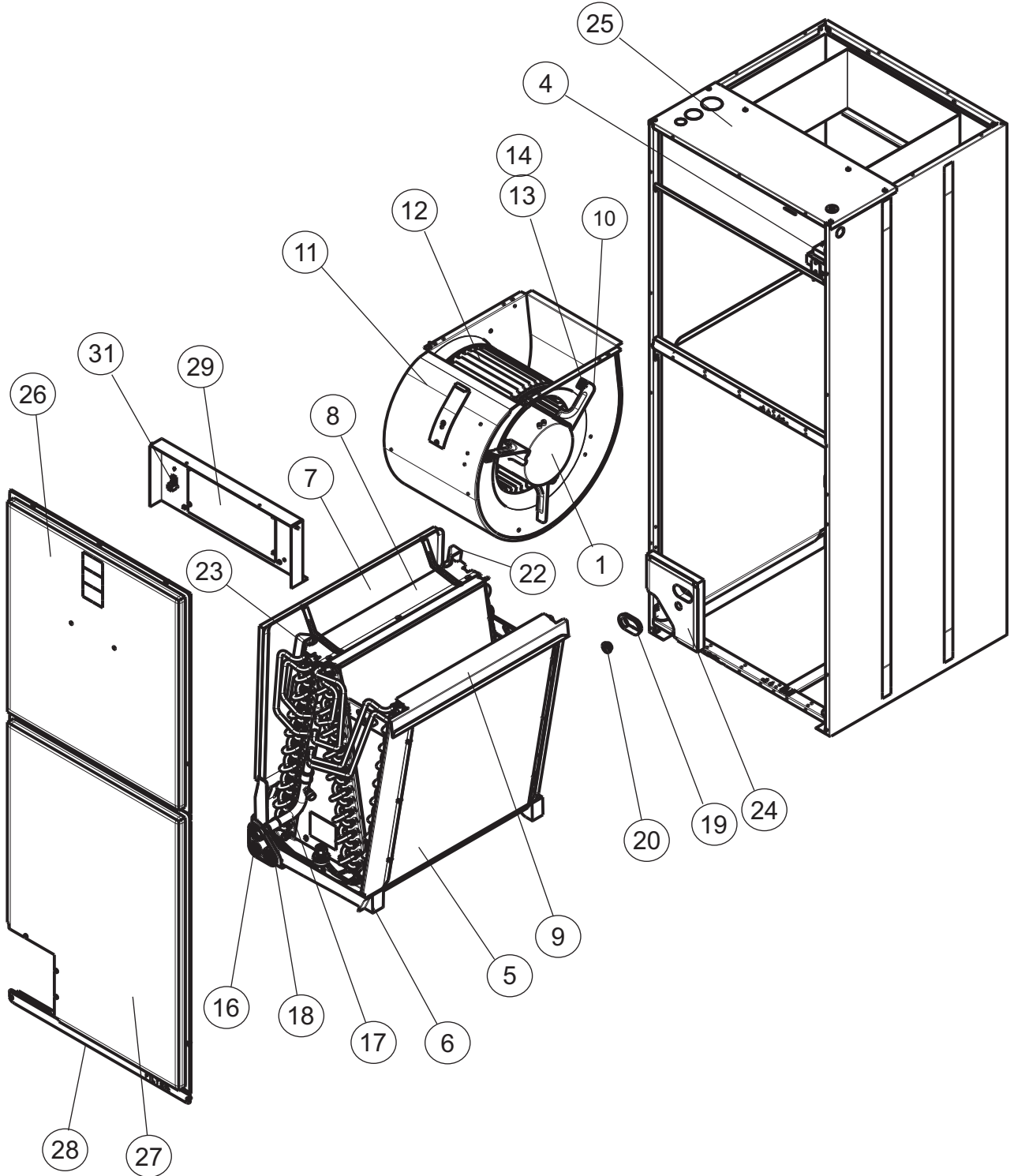
HVAC SERVICE PARTS

# AE SERIES SINGLE PIECE AIR HANDLER STD ECM MOTORS, FLEX COIL MODELS (STYLE B)

Supersedes:035-24858-001 Rev. A (0116)

035-24585-001 Rev. B (0216)

1 of 4



ITEM	DESCRIPTION	AE18BX21B	AE24BX21B	AE30BX21B	AE36BX21B
1	Blower Motor, Std ECM	S1-32436220483	S1-32436220484	S1-32436220475	S1-32436221476
2					
3					
4	Transformer	S1-02518452700	S1-02518452700	S1-02518452700	S1-02518452700
5	Coil, Flex (w/drain pan)	S1-37339405006	S1-37339405008	S1-37339405014	S1-37339405018
6	Drain Pan, Vertical	S1-02817091000	S1-02817091000	S1-02817091000	S1-02817091000
7	Drain Pan, Horizontal	S1-37339404001	S1-37339404001	S1-37339404003	S1-37339404005
8	Baffle, Coil	S1-37339407003	S1-37339407003	S1-37339407002	S1-37339407002
9	Shield, Blow-Off	S1-07339408001	S1-07339408001	S1-07339408001	S1-07339408001
10	Motor Mount	S1-32631480000	S1-32631480000	S1-32631480000	S1-32631480000
11	Housing, Blower	S1-37327931001	S1-37327931001	S1-37327931001	S1-37327931001
12	Wheel, Blower	S1-02634005000	S1-02634005000	S1-02634005000	S1-02634005000
13	Sleeve, Isolator, Steel (3 Req'd)	S1-02809412003	S1-02809412003	S1-02809412003	S1-02809412003
14	Tube, Isolator, Rubber (3 Req'd)	S1-02809412001	S1-02809412001	S1-02809412001	S1-02809412001
15*	Washer, Neoprene (3 Req'd)	S1-02809412002	S1-02809412002	S1-02809412002	S1-02809412002
16	Plug, Drain Pan (2 Req'd)	S1-02812480000	S1-02812480000	S1-02812480000	S1-02812480000
17	Line, Liquid	S1-02322464000	S1-02322464000	S1-02322465000	S1-02322465000
18	Gasket, Drain Pan	S1-02817104000	S1-02817104000	S1-02817104000	S1-02817104000
19	Grommet, Oval	<b>S1-02817078001</b>	S1-02817077001	S1-02817077001	S1-02817077001
20	Grommet, 3/8"	S1-02813209000	S1-02813209000	S1-02813209000	S1-02813209000
21*	Gasket, Door	S1-02817061000	S1-02817061000	S1-02817061000	S1-02817061000
22	Channel, Condensate, Rear	S1-02817103000	S1-02817103000	S1-02817103000	S1-02817103000
23	Channel, Condensate, Front	S1-02817102000	S1-02817102000	S1-02817102000	S1-02817102000
24	Panel, Tubing Access	S1-37339403001	S1-37339403001	S1-37339403001	S1-37339403001
25	Top, Panel	S1-37339409001	S1-37339409001	S1-37339409001	S1-37339409001
26	Assy, Top Door	S1-37339410001	S1-37339410001	S1-37339410001	S1-37339410001
27	Assy, Bottom Door	S1-37339402004	S1-37339402004	S1-37339402006	S1-37339402006
28	Assy, Filter Door	S1-37339411001	S1-37339411001	S1-37339411001	S1-37339411001
29	Cover, Heat	S1-07339412001	S1-07339412001	S1-07339412001	S1-07339412001
30*	Harness, ECM Wiring	S1-02547253000	S1-02547253000	S1-02547253000	S1-02547253000
31	Lug, Ground	S1-02521798000	S1-02521798000	S1-02521798000	S1-02521798000
32*	Screw, Slotted (3 Req'd)	S1-02117174000	S1-02117174000	S1-02117174000	S1-02117174000
33*	Wiring Diagram	5001016	5001016	5001016	5001016

ITEM	DESCRIPTION	AE36CX21B	AE42CX21B	AE48CX21B	AE48DX21B
1	Blower Motor, Std. ECM	S1-32436221477	S1-32436221478	S1-32436222479	S1-32436222480
2					
3					
4	Transformer	S1-02518452700	S1-02518452700	S1-02518452700	S1-02518452700
5	Coil, Flex (w/drain pan)	S1-37339405019	S1-37339405024	S1-37339405024	S1-37339405025
6	Drain Pan, Vertical	S1-02817092000	S1-02817092000	S1-02817092000	S1-02817093000
7	Drain Pan, Horizontal	S1-37339404011	S1-37339404008	S1-37339404009	S1-37339404009
8	Baffle, Coil	S1-37339407003	S1-37339407002	S1-37339407002	S1-37339407003
9	Shield, Blow-Off	S1-07339408001	S1-07339408001	S1-07339408001	S1-07339408001
10	Motor Mount	S1-32631459000	S1-32631459000	S1-32631459000	S1-32631459000
11	Housing, Blower	S1-37327931003	S1-37327931003	S1-37327931003	S1-37327931003
12	Wheel, Blower	S1-02634501000	S1-02634501000	S1-02634501000	S1-02634501000
13	Sleeve, Isolator, Steel (3 Req'd)	S1-02809412003	S1-02809412003	S1-02809412003	S1-02809412003
14	Tube, Isolator, Rubber (3 Req'd)	S1-02809412001	S1-02809412001	S1-02809412001	S1-02809412001
15	Washer, Neoprene (3 Req'd)	S1-02809412002	S1-02809412002	S1-02809412002	S1-02809412002
16	Plug, Drain Pan (2 Req'd)	S1-02812480000	S1-02812480000	S1-02812480000	S1-02812480000
17	Line, Liquid	S1-02322470000	S1-02322470000	S1-02322470000	S1-02322463000
18	Gasket, Drain Pan	<b>S1-02817104000</b>	<b>S1-02817104000</b>	<b>S1-02817104000</b>	<b>S1-02817104000</b>
19	Grommet, Oval	S1-02817077001	S1-02817077001	S1-02817077001	S1-02817077001
20	Grommet, 3/8"	S1-02813209000	S1-02813209000	S1-02813209000	S1-02813209000
21*	Gasket, Door	S1-02817061000	S1-02817061000	S1-02817061000	S1-02817061000
22	Channel, Condensate, Rear	S1-02817103000	S1-02817103000	S1-02817103000	S1-02817103000
23	Channel, Condensate, Front	S1-02817102000	S1-02817102000	S1-02817102000	S1-02817102000
24	Panel, Tubing Access	S1-37339403001	S1-37339403001	S1-37339403001	S1-37339403001
25	Top, Panel	S1-37339409002	S1-37339409002	S1-37339409002	S1-37339409003
26	Assy, Top Door	S1-37339410002	S1-37339410002	S1-37339410002	S1-37339410003
27	Assy, Bottom Door	S1-37339402012	S1-37339402012	S1-37339402012	S1-37339402015
28	Assy, Filter Door	S1-37339411002	S1-37339411002	S1-37339411002	S1-37339411003
29	Cover, Heat	S1-07339412001	S1-07339412001	S1-07339412001	S1-07339412001
30*	Harness, ECM Wiring	S1-02547253000	S1-02547253000	S1-02547253000	S1-02547253000
31	Lug, Ground	S1-02521798000	S1-02521798000	S1-02521798000	S1-02521798000
32*	Screw, Slotted (3 Req'd)	S1-02117174000	S1-02117174000	S1-02117174000	S1-02117174000
33*	Wiring Diagram	5001016	5001016	5001016	5001016

**NOTE:** \*Not ShownNew replacement parts shown in **bold** face type at the first printing of parts list dated 2/16.

Major components and suggested stocking items are shown with shaded item number.

"←" Across from row indicates a change in that row. Changed part numbers are in red.

--- Not applicable to specified model.

ITEM	DESCRIPTION	AE60CX21B	AE60DX21B	
1	Blower Motor, Std. ECM	S1-32436222485	S1-32436222481	<
2				
3				
4	Transformer	S1-02518452700	S1-02518452700	
5	Coil, Flex (w/drain pan)	S1-37339405001	S1-37339405026	
6	Drain Pan, Vertical	S1-02817092000	S1-02817095000	
7	Drain Pan, Horizontal	S1-37339404010	S1-37339404010	
8	Baffle, Coil	S1-37339407002	S1-37339407004	
9	Shield, Blow-Off	S1-07339408001	S1-07339408001	
10	Motor Mount	S1-32631459000	S1-32631459000	
11	Housing, Blower	S1-37327931003	S1-37327931003	
12	Wheel, Blower	S1-02634501000	S1-02634501000	
13	Sleeve, Isolator, Steel (3 Req'd)	S1-02809412003	S1-02809412003	
14	Tube, Isolator, Rubber (3 Req'd)	S1-02809412001	S1-02809412001	
15	Washer, Neoprene (3 Req'd)	S1-02809412002	S1-02809412002	
16	Plug, Drain Pan (2 Req'd)	S1-02812480000	S1-02812480000	
17	Line, Liquid	S1-02322470000	S1-02322463000	
18	Gasket, Drain Pan	S1-02817104000	S1-02817104000	<
19	Grommet, Oval	S1-02817077001	S1-02817077001	
20	Grommet, 3/8"	S1-02813209000	S1-02813209000	
21*	Gasket, Door	S1-02817061000	S1-02817061000	
22	Channel, Condensate, Rear	S1-02817103000	S1-02817103000	
23	Channel, Condensate, Front	S1-02817102000	S1-02817102000	
24	Panel, Tubing Access	S1-37339403001	S1-37339403001	
25	Top, Panel	S1-37339409002	S1-37339409003	
26	Assy, Top Door	S1-37339410002	S1-37339410003	
27	Assy, Bottom Door	S1-37339402011	S1-37339402015	
28	Assy, Filter Door	S1-37339411002	S1-37339411003	
29	Cover, Heat	S1-07339412001	S1-07339412001	
30*	Harness, ECM Wiring	S1-02547253000	S1-02547253000	
31	Lug, Ground	S1-02521798000	S1-02521798000	
32*	Screw, Slotted (3 Req'd)	S1-02117174000	S1-02117174000	
33*	Wiring Diagram	5001016	5001016	

**NOTE:** \*Not Shown

New replacement parts shown in **bold** face type at the first printing of parts list dated 1/16.

Major components and suggested stocking items are shown with shaded item number.

"<" Across from row indicates a change in that row. Changed part numbers are in red.

--- Not applicable to specified model.

**TO ORDER AUTHORIZED FACTORY REPLACEMENT PARTS** - Contact your Source1 HVAC Parts Distributor or visit our website at [www.Source1Parts.com](http://www.Source1Parts.com) for a Distributor and Dealer listing.

Subject to change without notice. Published in U.S.A.  
Copyright © 2016 by Johnson Controls, Inc. All rights reserved.

035-24585-001 Rev. B (0216)  
Supersedes: 035-24858-001 Rev. A (0116)

---

**York International Corp.**  
**5005 York Drive**  
**Norman, OK 73069**