

INSTALLATION MANUAL

STANDARD PSC SINGLE PIECE, MULTI-POSITION AIR HANDLERS

MODELS: AP SERIES



LIST OF SECTIONS

GENERAL	1	LOW VOLTAGE CONTROL CONNECTIONS	11
SAFETY	1	BLOWER SPEED CONNECTIONS	11
UNIT INSTALLATION	4	UNIT DATA	11
DUCT WORK AND CONNECTIONS	5	MAINTENANCE	17
COIL METERING DEVICES	7	AIR SYSTEM ADJUSTMENT	17
REFRIGERANT LINE CONNECTION	9	INSTALLATION VERIFICATION	18
CONDENSATE DRAIN CONNECTIONS	9	WIRING DIAGRAM	19
ELECTRIC HEATER INSTALLATION	10	TYPICAL THERMOSTAT CONNECTIONS	20
LINE POWER CONNECTIONS	10	START UP SHEET	21

LIST OF FIGURES

Return Air Duct Attachment & Component Location	2	Proper Bulb Location	8
Pressure Check	3	Vertical Temperature Bulb Orientation	8
Dimensions & Duct Connection Dimensions	3	Vapor Line Grommet	9
Typical Installation	4	Blower Delay Control Board	10
Coil Blow Off Wing Installation	5	Line Power Connections	10
Horizontal Suspension	6	Blower Speed Connections	11
Duct Attachment	6	Duct Static Measurements	18
Duct Work Transition	6	Drain Traps	18
Piston Installation	7	Location of Coil Trapped and Plugged Drain Connections	18
TXV Installation	8	Wiring Diagram - PSC - Single Phase Heat Kits	19
TXV Bulb Installation	8	Typical Wiring Diagram - PSC	20

LIST OF TABLES

Dimensions	3	Electric Heat Performance Data: 208/230-1-60	12
Physical and Electrical Data - Cooling Only	11	Electrical Data For Single Source Power Supply: 208/230-1-60	13
Electrical Data - Cooling Only	11	Electrical Data For Multi-source Power Supply: 208/230-1-60	15
Electrical Heat: - Minimum Fan Speed	12	Air Flow Data (CFM)	16
KW & MBH Conversions - For Total Power Input Requirement	12		

SECTION I: GENERAL

The single piece air handler series provides the flexibility for installation in any position. This unit may be used for upflow, downflow, horizontal right, or horizontal left applications.

These units may be located in a closet, utility room, attic, crawl space, or basement. These versatile models may be used for cooling or heat pump operation with or without electric heat.

Top or side power and control wiring, color coded leads for control wiring, easy to install drain connections, and electric heaters all combine to make the installation easy and minimize installation cost.

Electric heat kits are available as field installed accessories. Single phase kits are available from 2.5 kW to 25 kW.

SECTION II: SAFETY



This is a safety alert symbol. When you see this symbol on labels or in manuals, be alert to the potential for personal injury.

Understand and pay particular attention to the signal words **DANGER**, **WARNING**, or **CAUTION**.

DANGER indicates an **imminently** hazardous situation, which, if not avoided, **will result in death or serious injury**.

WARNING indicates a **potentially** hazardous situation, which, if not avoided, **could result in death or serious injury**.

CAUTION indicates a potentially hazardous situation, which, if not avoided **may result in minor or moderate injury**. It is also used to alert against unsafe practices and hazards involving only property damage.

WARNING

FIRE OR ELECTRICAL HAZARD

Failure to follow the safety warnings exactly could result in serious injury, death or property damage. A fire or electrical hazard may result causing property damage, personal injury or loss of life.

WARNING

The air handler area must not be used as a broom closet or for any other storage purposes, as a fire hazard may be created. Never store items such as the following on, near or in contact with the furnace.

1. Spray or aerosol cans, rags, brooms, dust mops, vacuum cleaners or other cleaning tools.
2. Soap powders, bleaches, waxes or other Cleaning compounds; plastic items or containers; gasoline, kerosene, cigarette lighter fluid, dry cleaning fluids or other volatile fluid.
3. Paint thinners and other painting compounds.
4. Paper bags, boxes or other paper products

Never operate the air handler with the blower door removed. To do so could result in serious personal injury and/or equipment damage.

⚠ WARNING

Improper installation, adjustment, alteration, or maintenance may create a condition where the operation of the product could cause personal injury or property damage. Refer to this manual for assistance, or for additional information, consult a qualified contractor, installer, or service agency.

⚠ CAUTION

This product must be installed in strict compliance with the installation instructions and any applicable local, state, and national codes including, but not limited to building, electrical, and mechanical codes.

SAFETY REQUIREMENTS

1. Failure to carefully read and follow all instructions in this manual can result in air handler malfunction, death, personal injury and/or property damage.
2. This air handler should be installed in accordance with all national and local building/safety codes and requirements, local plumbing or wastewater codes, and other applicable codes.
3. This air handler should be installed only in a location and position specified in the "Unit Installation" section of this Instruction Manual.
4. The air handler is not to be used for temporary heating of buildings or structures under construction.
5. Always install the air handler to operate within the air handler's intended maximum outlet air temperature.
6. The unit rating plate displays the air handler model number. The unit dimensions for the supply air plenum are provided in Figure 3 and Table 1 of this Instruction Manual. The plenum must be installed according to the instructions.
7. Clearance from combustible material is provided under "Clearances" in the "Unit Installation" section.

⚠ CAUTION

DO NOT lift air handler by the cabinet braces. The cabinet braces are held in place by the coil channels. The cabinet braces could become disengaged from the cabinet causing the air handler to fall, potentially causing injury or damaging property. See Figure 1 for location of cabinet braces. Lift the air handler by tightly gripping the casing.

8. It is necessary to maintain clearances for servicing. Access must be allowed for electric heaters and blower.
9. The unit rating plate and power supply must be verified to ensure that the electrical characteristics match.
10. Air handler shall be installed so the electrical components are protected from water.
11. Installing and servicing heating/cooling equipment can be hazardous due to the electrical components. Only trained and licensed personnel should install, repair, or service heating/cooling equipment. Unlicensed service personnel can perform basic maintenance functions such as cleaning and replacing the air filters. When working on heating/cooling equipment, the precautions in the manuals and on the labels attached to the unit and other safety precautions must be observed as applicable.

⚠ CAUTION

These air handlers should be transported & handled in an upright, upflow position. Failure to do so may result in unit damage and personal injury. Configuration conversions should be done at site of installation.

12. These instructions cover minimum requirements and conform to existing national standards and safety codes. In some instances these instructions exceed certain local codes and ordinances, especially those who have not kept up with changing residential and non-HUD modular home construction practices. These instructions are required as a minimum for a safe installation.

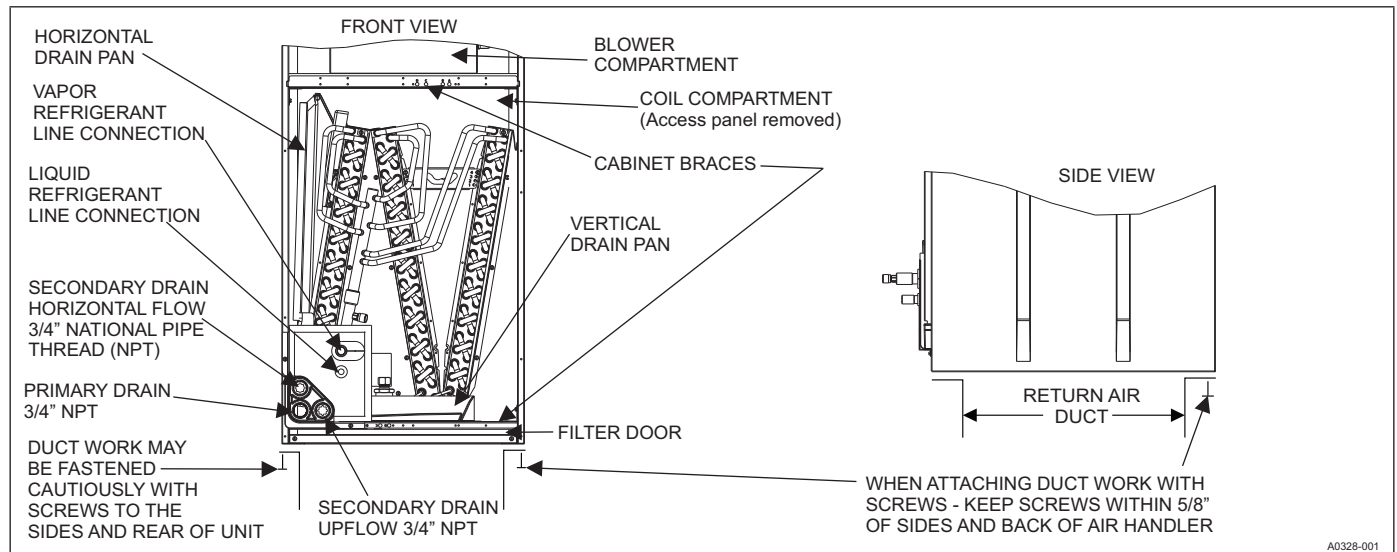


FIGURE 1: Return Air Duct Attachment & Component Location

INSPECTION

As soon as a coil is received, it should be checked to insure it is still under pressure per Figure 2. The coil should be inspected for possible damage during transit. If damage is evident, the extent of the damage should be noted on the carrier's freight bill. A separate request for inspection by the carrier's agent should be made in writing. The Local Distributor should be consulted for more information. The drain pan should be checked for cracks or breakage. Before installation, the unit should be checked for screws or bolts which may have loosened in transit. There are no internal shipping or spacer brackets that need to be removed.

It should be verified that all accessories such as heater kits and thermostatic expansion valve (TXV) kits are available as required. Installation of these accessories or field conversion of the unit should be accomplished before setting the unit in place or connecting any wiring, duct work or piping.

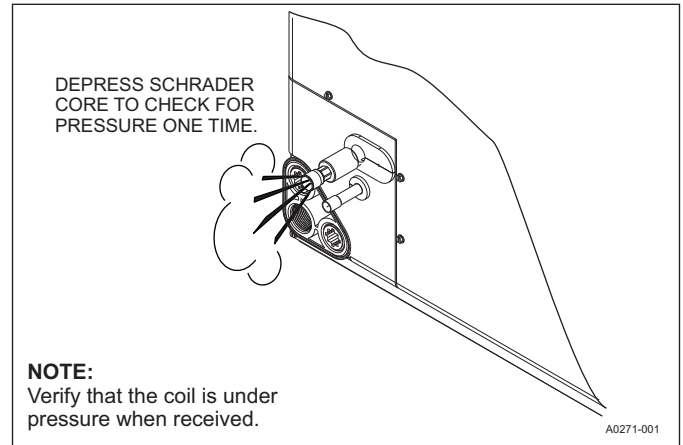


FIGURE 2: Pressure Check

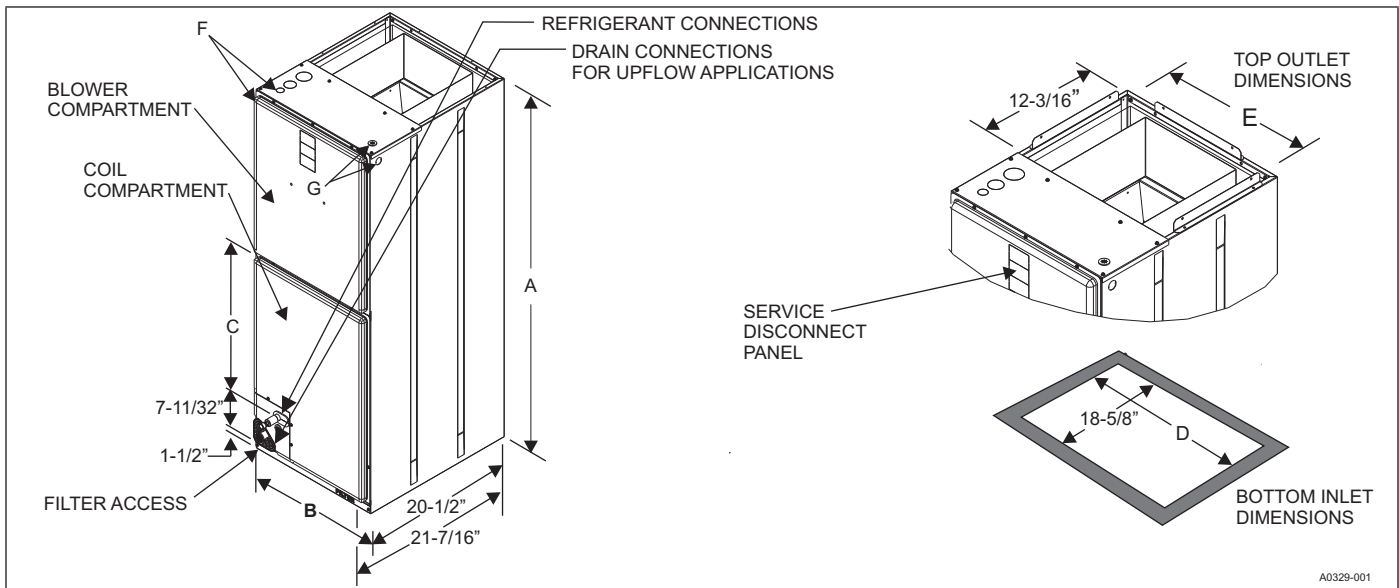


FIGURE 3: Dimensions & Duct Connection Dimensions

TABLE 1: Dimensions¹

Models	Dimensions					Wiring Knockouts ²		Refrigerant Connections Line Size	
	A	B	C	D	E	F	G	Liquid	Vapor
	Height	Width				Power (Conduit)	Control (Conduit)		
18B	41	17-1/2	12-7/8	14-1/4	16-1/2	7/8 (1/2) 1-3/8 (1) 1-23/32 (1-1/4)	7/8 (1/2)	3/8	3/4
24B	41	17-1/2	12-7/8	14-1/4	16-1/2				
30B	47-1/2	17-1/2	19-1/2	14-1/4	16-1/2				
36B	47-1/2	17-1/2	19-1/2	14-1/4	16-1/2				
36C	51-1/2	21	22-5/8	17-3/4	20				
42C	51-1/2	21	22-5/8	17-3/4	20			7/8	
48C	51-1/2	21	22-5/8	17-3/4	20				
48D	55-1/2	24-1/2	26-5/8	21-1/4	23-1/2				
60C	55-3/4	21	26-7/8	17-3/4	20				
60D	55-1/2	24-1/2	26-5/8	21-1/4	23-1/2				

1. All dimensions are in inches.
2. Knockout size (conduit size in parentheses).

SECTION III: UNIT INSTALLATION

NOTICE

Avoid handling aluminum coil components after handling the copper line set or other tubing without first cleaning hands.

UNIT SIZING

The size of the unit should be based on an acceptable heat loss or gain calculation for the structure. The ACCA – Manual J or other approved methods may be used. Reference Figure 3 and Table 1.

- Only connect the air handler to a duct system which has an external static pressure within the allowable range.
- Airflow must be within the minimum and maximum limits approved for electric heat, indoor coils and outdoor units.

Entering Air Temperature Limits			
Wet Bulb Temp. °F		Dry Bulb Temp. °F	
Min.	Max.	Min.	Max.
57	72	65	95

- When an air handler is installed so that supply ducts carry air circulated by the air handler to areas outside the space containing the air handler, the return air shall also be handled by duct(s) sealed to the air handler casing and terminating in the space to be cooled/heated.
- Refer to the unit rating plate for the air handler model number, and then see the dimensions page of this instruction for supply air plenum dimensions. The plenum must be installed according to the instructions.
- The installer must check available supply power and verify that it is within the normal operating voltage range for the unit. The acceptable voltage range for these units is as follows:

Air Handler Voltage	Normal Operating ¹ Voltage Range
208V-230V-1-60	187V-253V

- Rated in accordance with ARI Standard 110, utilization range "A".

CLEARANCES

Clearances must be taken into consideration, and provided for as follows:

- Refrigerant piping and connections - minimum 12" recommended.
- Maintenance and servicing access - minimum 36" from front of unit recommended for blower motor / coil replacement.
- Condensate drain lines routed to clear filter and panel access.
- Filter removal - minimum 36" recommended.
- The duct work connected to this unit is designed for zero clearance to combustible materials.
- A combustible floor base accessory is available for downflow applications of this unit, if required by local code.

LOCATION

Location is usually predetermined. Check with owner's or dealer's installation plans. If location has not been decided, consider the following in choosing a suitable location:

- Select a location with adequate structural support, space for service access, and clearance for air return and supply duct connections.
- Using hanging brackets to wall mount this single piece air handler unit is not recommended.
- Normal operating sound levels may be objectionable if the air handler is placed directly over some rooms such as bedrooms, study, etc.
- Select a location that will permit installation of condensate line to an open drain or outdoors allowing condensate to drain away from structure.

NOTICE

The primary and secondary drain line must be trapped to allow proper drainage of condensate water. The secondary drain line should be piped to a location that will give the occupant a visual warning that the primary drain is clogged. If the secondary drain line is not used, it must be capped.

- When an indoor coil is installed in an attic or above a finished ceiling, an auxiliary drain pan should be provided under the air handler as is specified by most local building codes.
- Proper electrical supply must be available.
- If unit is located in an area of high humidity (i.e. an unconditioned garage or attic), nuisance sweating of casing may occur. On these installations, unit duct connections and other openings should be properly sealed, and a wrap of 2" fiberglass insulation with vinyl vapor barrier should be used.

AIR HANDLER CONFIGURATION

These air handler units are supplied ready to be installed in an upflow or horizontal left position. Refer to Figure 4. If the unit requires either downflow or horizontal right airflow configurations, the unit must have the coil assembly repositioned. Refer the Downflow or Horizontal Right Conversion procedures.

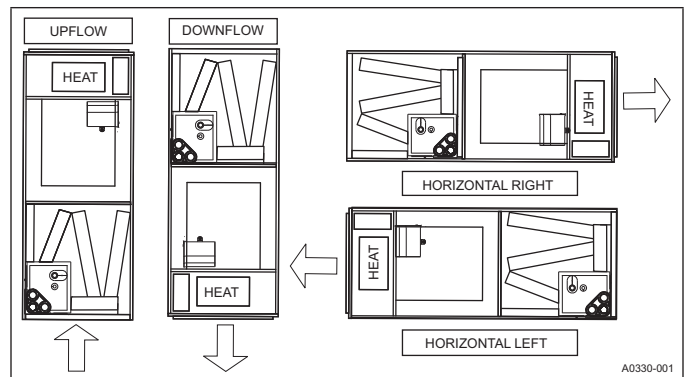


FIGURE 4: Typical Installation

DOWNFLOW OR HORIZONTAL RIGHT CONVERSION

NOTICE

Convert air handler to correct orientation prior to installation. Conversion must be made before brazing the refrigerant connections to the coil.

- Remove coil access panel.
- Slide coil/drain pan assembly out of air handler.

NOTICE

The center support bar for the coil/drain pan has a position identifier embossed into the cabinet structure between the two forward fingers of the support bar. There are four position identifiers: A, B, C, or D. The lettered hole location can differ from unit to unit due to the cabinet width of the air handler. After removal and re-installation, the center support bar must be installed in the same lettered position that it was originally.

- Note the lettered position of the center support bar for the coil/drain pan. Remove the center support bar by sliding the forward end of the support bar to the right or left until the lower finger clears the structure.

NOTICE

The position identifier for the coil slide rail is embossed into the back corner vertical angle of the cabinet structure. There are four position identifiers: 1, 2, 3, or 4. The numbered attachment location can differ from unit to unit due to the cabinet height of the air handler. After removal and reinstallation, the coil slide rail must be installed in the same numbered position that it was originally.

- Note the numbered position of the coil slide rail located at the upper right hand side of the indoor coil compartment. Remove slide rail from air handler cabinet by removing front screw and lowering bracket down to disengage hook on back of slide rail.
- Turn air handler cabinet upside down (downflow position).
- Install coil slide rail by hooking the aft end into holes at the numbered position the slide rail was originally in right rear corner post, and secure rail into right front edge of cabinet with screw in the pre-drilled hole.

NOTICE

The aft fingers of the center support bar are longer than the fingers on the forward end of the support bar.

- Install center support bar for the coil/drain pan onto the lettered position that it was originally mounted.

NOTICE

When installing a coil blow off wing, make sure that each notch in the coil blow off wing slides around the anchor screw with the bottom of the notch fully set against the screw.

Ensure that coil blow off wing is installed with the flange bending away from the coil delta plate.

- For horizontal right applications, install front and back coil blow off wings (blow off wings shipped as loose parts with the unit). Locate 4 screws securing coil delta plates to coil drain pan. Loosen the screws. Slide each coil blow off wing between the drain pan and the coil delta plate. Tighten screws to securely anchor coil blow off wings. Refer to Figure 5.
- Slide the coil back into the cabinet. Be sure to engage the side coil slide into the slide rail on the air handler cabinet.
- Install coil access panel. Conversion is now complete.

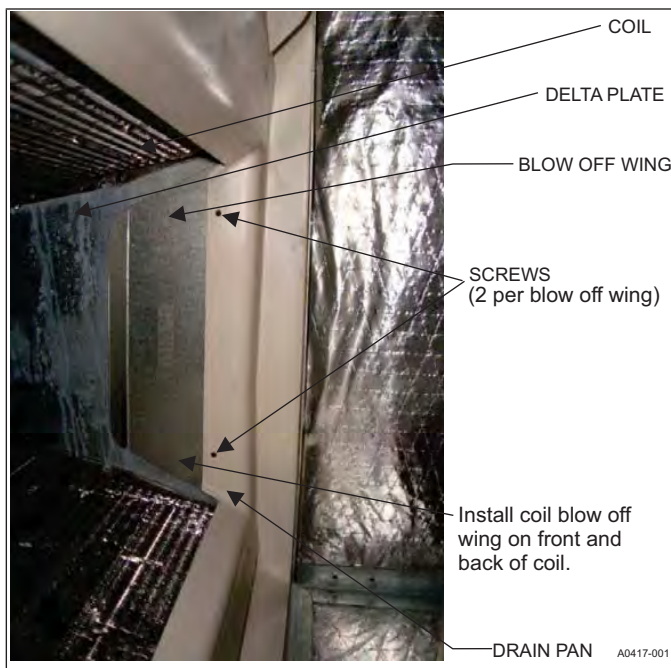


FIGURE 5: Coil Blow Off Wing Installation

SECTION IV: DUCT WORK AND CONNECTIONS

Air supply and return may be handled in one of several ways best suited to the installation. Upflow, horizontal or downflow applications may be used.

The vast majority of problems encountered with heating and cooling systems can be linked to improperly designed or installed duct systems. It is therefore highly important to the success of an installation that the duct system be properly designed and installed.

When installing a central air return grille in or near the living space, it is advisable to design the duct work so that the grille is not in direct line with the opening in the unit. One or two elbows and acoustical duct liner assures a quieter system. Operation where return air duct is short or where sound may be a problem, acoustical duct liner should be used inside the duct. Use flexible duct connectors to minimize the transmission of vibration/noise into the conditioned space.

WARNING

Do not bring in return air from a location which could introduce hazardous substances into the airflow.

Use 1/2" screws to connect duct work to cabinet. If pilot holes are drilled, drill only through field duct and unit flange.

Insulation of duct work is a must where it runs through an unheated space during the heating season or through an uncooled space during the cooling season. The use of a vapor barrier is recommended to prevent absorption of moisture from the surrounding air into the insulation.

The supply air duct should be properly sized by use of a transition to match unit opening. All ducts should be suspended using flexible hangers and never fastened directly to the structure.

Duct work should be fabricated and installed in accordance with local and/or national codes. This includes the standards of the National Fire Protection Association for Installation of Air-Conditioning and Ventilating Systems, NFPA No. 90B. Duct systems should be designed in accordance with the Air Conditioning Contractors of America (ACCA) – Manual D.

CAUTION

This unit is not designed for non-ducted (freeblow) applications. Do not operate without duct work attached to unit.

Equipment should never be operated without filters.

HORIZONTAL SUSPENSION

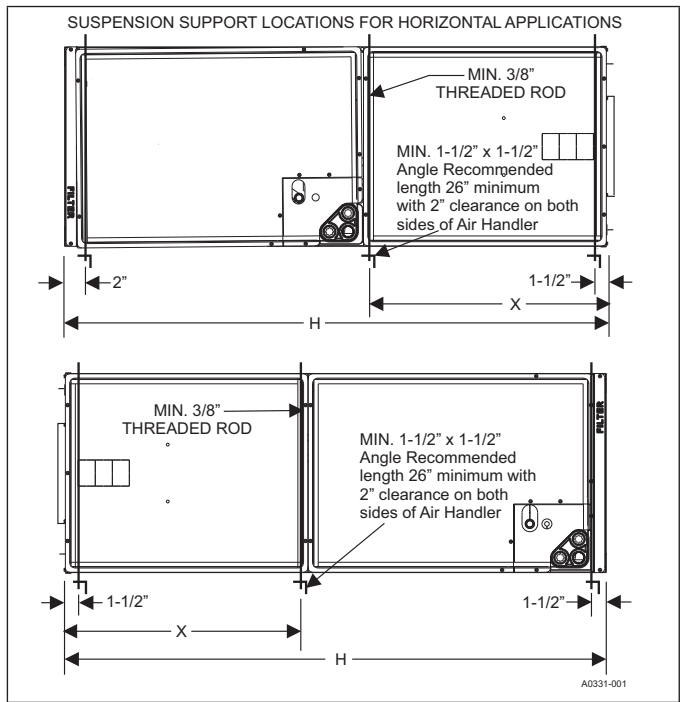
These air handlers may be suspended in horizontal applications. It is recommended to use angle steel support brackets with minimum 3/8" threaded rods, supporting the unit from the bottom. Attach the threaded rods at the locations shown in the Figure 6, leaving enough clearance between door and rod so that doors may be easily removed for service.

⚠ CAUTION

DO NOT lift air handler by the cabinet brace. The cabinet brace is held in place by the coil channel. The cabinet brace could become disengaged from the cabinet causing the air handler to fall, potentially causing injury or damaging property. See Figure 1 for location of cabinet braces.

NOTICE

When assembling the support structure, make sure to size to provide clearance for access door removal.



Dimension in Inches

Air Handler Cabinet Size	X	H
17-1/2 Width-Short H	21	41
17-1/2 Width-Long H	21	47-1/2
21 Width-Short H	21-1/2	51-1/2
21 Width-Long H	21-1/2	55-3/4
24-1/2 Width	21-1/2	55-1/2

FIGURE 6: Horizontal Suspension

DUCT FLANGES

Three duct flanges are provided to assist in positioning and attaching duct work to the air handler. These flanges are included in the unit parts bag. With the screws from the parts bag, install one of the duct flanges. Duct flanges have holes on both legs with one leg longer than the other. The longer leg can be used to mate against the air handler so that different thicknesses of duct board can be made flush with the outer surface of the air handler. Repeat the procedure for the other two flanges. Refer to Figure 7. If the flanges are not used, they may be discarded.

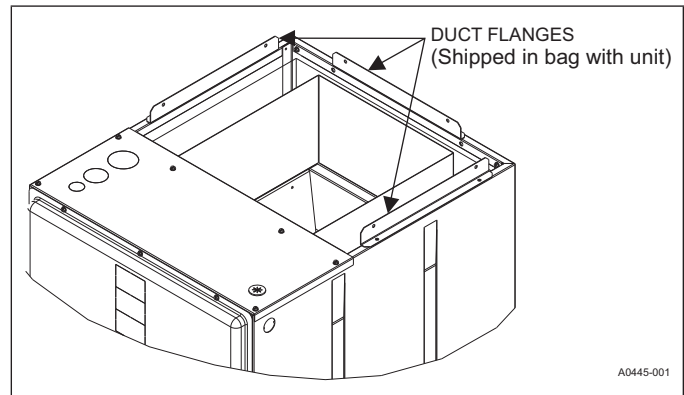


FIGURE 7: Duct Attachment

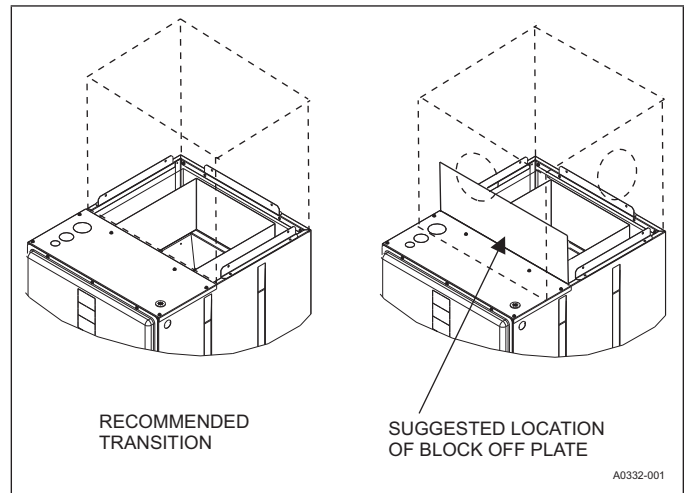


FIGURE 8: Duct Work Transition

UNIT CONNECTIONS

There are several ways to handle the supply and return air duct connections. The location and sizing of the connections depends on the situation and the method best suited to the installation. Upflow, horizontal or downflow applications may be used. The supply air duct should be properly sized by use of a transition to match unit opening. Refer to Table 1 for air handler unit inlet and outlet dimensions.

⚠ CAUTION

Use 1/2" screws to connect duct work to unit. Longer screws will pierce the drain pan and cause leakage. If pilot holes are drilled, drill only through field duct and unit bottom duct flange.

Duct work that is not designed to match the supply air opening can cause turbulence inside the plenum. This turbulence can change the air flow patterns across the electric heater limit switches. If the factory suggested transition cannot be fabricated, it is recommended that a block off plate (approximately 8" high and running the full width of the plenum) be attached to the supply opening. Refer to Figure 8 as a visual aid. The use of this block off plate will enable better air circulation across the limit switches.

AIR FILTERS

Return air filters are required and must be field supplied. Filtration can be accomplished external to the unit or the integral filter rack may be used. A 1" filter access rack has been built into the unit. Remove filter access cover shown. Install proper size filter. Standard 1" size permanent or throw away filter may be used, or, permanent washable filters are available using model numbers: 1PF0601, 602 or 603. See Table 2 for filter size.

⚠ CAUTION

Equipment should never be operated without filters.

SECTION V: COIL METERING DEVICES

A piston or a TXV is to be installed in the field. Refer to installation manual with TXV kit. It is recommended to install the piston or TXV prior to installation of coil in cabinet and brazing of line set. Until brazing is completed and cooled, do not install TXV sensing bulb.

Consult the technical guide for outdoor units that require a piston as a metering device for the indoor coil. The piston and the Schrader core are supplied with the outdoor unit if a TXV is not required. Install Schrader core in the suction line Schrader body and cap with the supplied plastic cap.

⚠ CAUTION

COIL UNDER PRESSURE.

Relieve pressure by depressing schrader stem. The coil requires a metering device to be added. See outdoor unit documentation for correct TXV or piston to be used.

NOTICE

To prevent moisture and contaminants from entering the system, the coil should not be open to atmosphere for extended periods of time. If the coil cannot be brazed into the refrigeration system during a routine installation period, the ends should be temporarily closed or plugged. For a short term delay, use masking tape over the ends of the copper tubing to close the tube from the air. For a longer term delay, use plugs or caps. There is no need to purge the coil if this procedure is followed.

PISTON INSTALLATION

⚠ WARNING

Failure to install Schrader Valve Core on piston applications could result in total refrigerant loss of the system!

Install Schrader Valve Core and Piston as follows:

1. After holding charge is completely discharged remove black plastic cap from equalizer fitting.
2. Install Schrader Valve Core supplied with the outdoor unit into equalizer fitting using a valve core tool.
3. Raise the distributor body approximately 2" vertically to mate up with the liquid line. Ensure liquid line can pass through the hole in the tubing access panel. Adjust as necessary.
4. Loosen and remove the liquid line connection nut and the sealing disc from the distributor assembly. Note that the fitting has right hand threads.

5. Slide the nut over the liquid line to be installed, and discard the seal disc.
6. Install required size piston into the distributor. Refer to supplied Tabular Data Sheet for specific piston size and indoor coil match up. Refer to Figure 9.
7. Verify that the Teflon washer is still in place in the distributor opening. Refer to Figure 9.

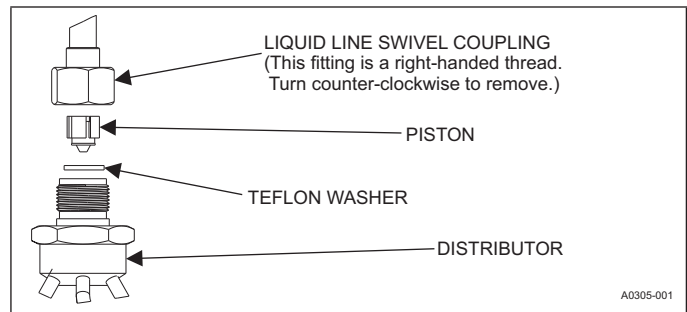


FIGURE 9: Piston Installation

⚠ CAUTION

Do not overtorque. Do not use slip joint pliers. This will distort the aluminum distributor and the brass fitting (potentially causing leaks).

8. After piston is installed, install the liquid line to the top of the piston/distributor assembly. Hand tighten, and turn an additional 1/4 turn to seal. Do not over tighten fittings.
9. Replace black plastic cap on equalizer fitting.
10. After line set is installed, leak test the system.

THERMOSTATIC EXPANSION VALVE (TXV) INSTALLATION

⚠ CAUTION

Outdoor unit model numbers ending with an "H" have a factory installed hard start kit which is required when a TXV is installed. Outdoor unit model numbers with no "H" ending do not require a hard start kit unless local regulations dictate it.

The following are basic steps for installation. For detailed instructions, refer to the Installation Instructions accompanying the TXV kit. Install TXV kit as follows:

IMPORTANT

Refer to the Technical Guide for the unit to determine the proper TXV kit to be used on this product.

1. Relieve the holding charge by depressing schrader core on the suction manifold stub out.
2. After holding charge is completely discharged, loosen and remove the Schrader core.
3. Place a backup wrench on distributor, loosen and remove brass distributor nut. Retain brass nut for use on liquid line. Keep Teflon washer in place and discard clear disc.
4. Install the thermal expansion valve to the distributor assembly with supplied fittings. Ensure Teflon washer is seated in distributor. Hand tighten and turn an additional 1/4 turn to seal. Do not over-tighten fittings. See Figure 10.

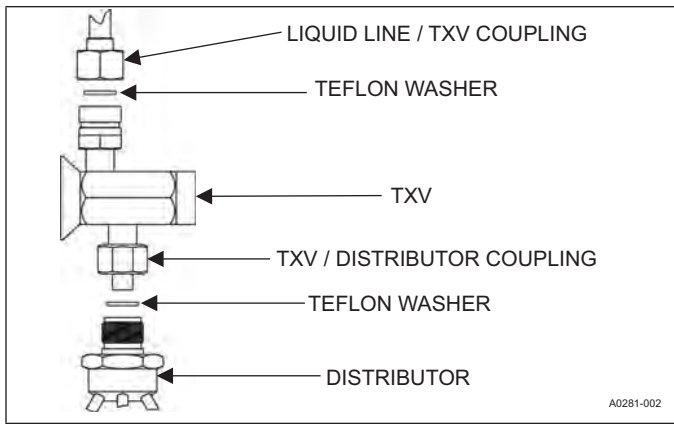


FIGURE 10: TXV Installation

CAUTION

Do not overtorque. Do not use slip joint pliers. This will distort the aluminum distributor and the brass fitting (potentially causing leaks).

- Slide the nut removed in step 3 over the supplied liquid line. Place supplied Teflon washer from TXV kit in place on TXV, and install liquid line to the top of the thermal expansion valve. Adjust assembly so liquid line aligns with hole in access panel. Hand tighten the liquid line, and apply an additional 1/4 turn to seal.

WARNING

Schrader valve core **MUST NOT** be installed with TXV installation. Poor system performance or system failure could result.

- Install the TXV equalizer line onto the vapor line by hand tightening the 1/4" SAE coupling nut to the equalizer fitting, and apply an additional 1/3 turn to seal. See Figure 11.

CAUTION

In all cases, mount the TXV temperature sensing bulb after vapor line is brazed and sufficiently cooled.

- Pass the TXV temperature sensing bulb through the suction line split grommet in the access panel.
- Install the TXV bulb to the vapor line near the cabinet, using the bulb clamp(s) furnished with the TXV assembly. Ensure the bulb is making maximum contact. See Figures 11 and 12.
 - If possible, install the temperature bulb on a horizontal run of the vapor line. Ensure that the bulb is installed at a 10 o'clock or 2 o'clock position.
 - If bulb installation is made on a vertical run, locate the bulb at least 16" (40.6 cm) from any bend, and on the tubing sides opposite the plane of the bend. Position the bulb with the tail of the bulb at the top, so that the bulb acts as a reservoir. See Figure 13.
 - Bulb should be insulated using thermal insulation provided to protect it from the effect of the surrounding ambient temperature. Cover completely to insulate.
- After line set is installed, leak test the system.

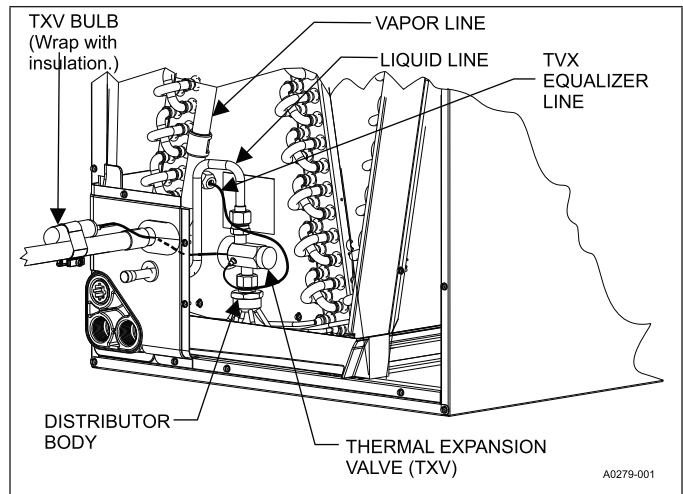


FIGURE 11: TXV Bulb Installation

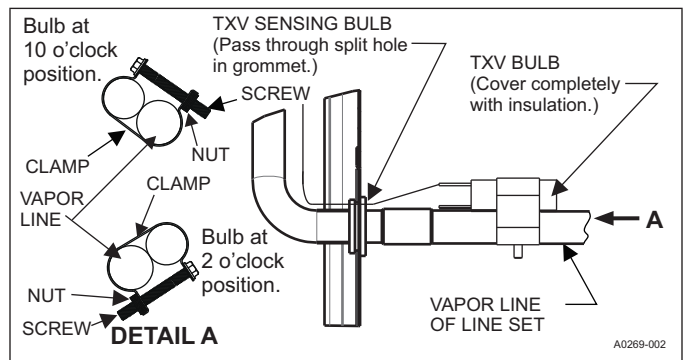


FIGURE 12: Proper Bulb Location

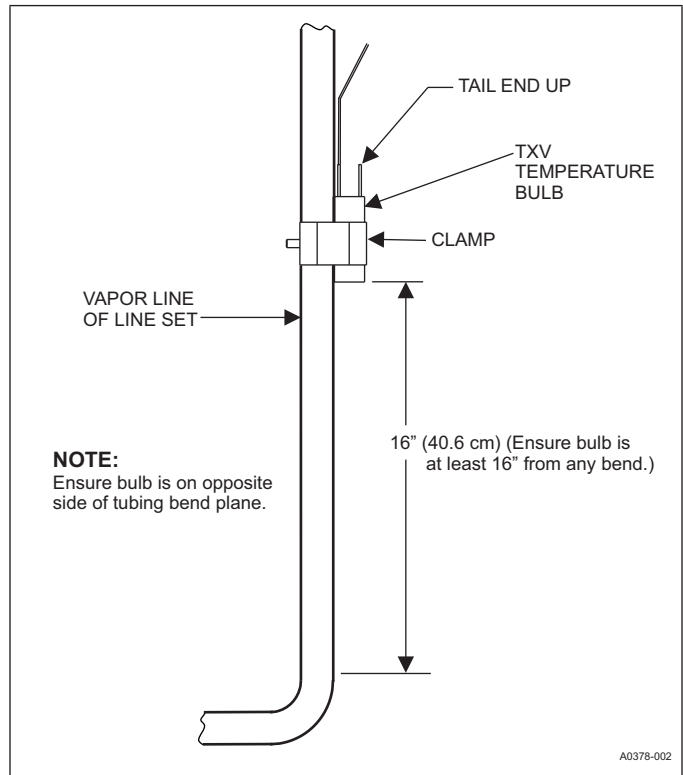


FIGURE 13: Vertical Temperature Bulb Orientation

SECTION VI: REFRIGERANT LINE CONNECTION

⚠ CAUTION

Coil was shipped under inert gas pressure. Relieve any pressure remaining in coil after receiving inspection by depressing schrader core at end of suction manifold stub out. Refer to Figure 2.

⚠ CAUTION

Dry nitrogen should always be supplied through the tubing while it is being brazed, because the temperature required is high enough to cause oxidation of the copper unless an inert atmosphere is provided. The flow of dry nitrogen should continue until the joint has cooled. Always use a pressure regulator and safety valve to insure that only low pressure dry nitrogen is introduced into the tubing. Only a small flow is necessary to displace air and prevent oxidation.

NOTICE

If coil was shipped with a factory installed TXV, the supplied liquid line will not work with a piston.

Connect lines as follows:

NOTICE

Route the refrigerant lines to the coil in a manner that will not obstruct service access to the coil, air handling system, or filter.

1. Suction and liquid line connections are made outside the cabinet. Leave the tubing connection panel attached to the cabinet. Coil access panel should be removed for brazing. The lines are expanded to receive the field line set tubes for most outdoor unit matches.
2. Remove grommets where tubes exit the cabinet to prevent the grommets from burning during brazing. In some units, the vapor line grommet may be shipped in the loose parts bag. Refer to Figure 14.
3. Cut the end of the suction tube using a tube cutter. Place the tube cutter as close as possible to the end of the tube to allow as much depth as possible for the connection and brazing of the suction line. To ensure suction line fits into connection, deburr the stub out (including inner pressure protrusion from cutting).
4. If coil does not have a factory installed TXV, install the required size piston or TXV kit.
5. If a TXV kit is installed, connect the TXV equalizer line to the suction header.
6. If the coil does have a factory installed TXV, remove the liquid line copper cap which is soft soldered onto the outside of the 3/8" stub protruding from front of the coil cabinet tubing panel as follows:
 - a. Screw a sheet metal screw into the center of the cap.
 - b. Apply a small amount of heat to the cap while pulling on the screw using slip joint pliers.
7. Insert liquid and suction lines into the coil connections at the coil cabinet tubing panel.
8. Wrap a water soaked rag around the coil connection tubes inside the cabinet to avoid transferring excess heat to the coil or TXV.
9. Purge refrigerant lines with dry nitrogen, and continue to supply dry nitrogen through the tubing during the brazing and cooling process.

NOTICE

All indoor coil connections are copper-to-copper and should be brazed with a phosphorous-copper alloy material such as Silfos-5 or equivalent. DO NOT use soft solder.

10. Braze the suction and liquid lines, and allow the joints to cool.
11. Route the TXV sensing bulb through suction line opening.
12. Secure sensing bulb with provided clamp. Secure equalizer line capillary tubes with nylon cable ties to prevent leaks from tubes rubbing.
13. If piston is used, install schrader core into suction header, and reinstall cap.
14. Re-attach the grommets to the lines carefully to prevent air leakage. In some units, the vapor line grommet may be shipped in the loose parts bag. Refer to Figure 14.
15. Attach the coil access panel to the cabinet.

NOTICE

ALWAYS evacuate the coil and line set tubing to 500 microns before opening outdoor unit service valves.

16. Refer to Outdoor unit Installation Manual, and accomplish evacuation, leak check and charging instructions. Check all field brazed joints and metering device connections.
17. Ensure lines are sound isolated by using appropriate hangers or strapping.

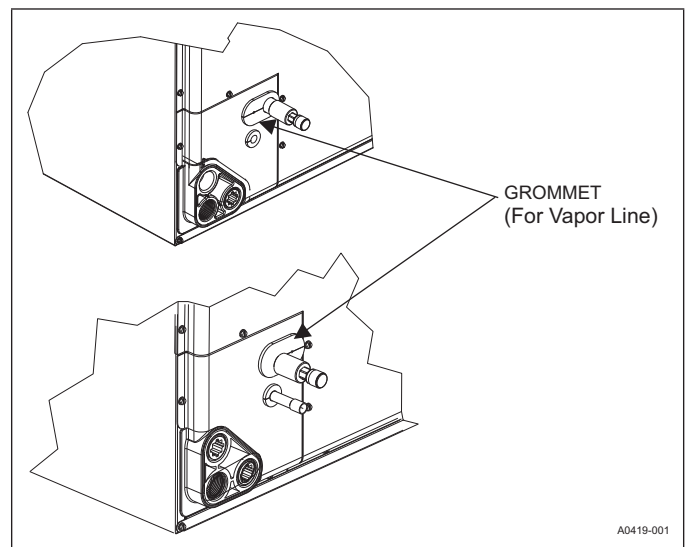


FIGURE 14: Vapor Line Grommet

SECTION VII: CONDENSATE DRAIN CONNECTIONS

All drain lines should be trapped a minimum of three inches, should be pitched away from unit drain pan and should be no smaller than the coil drain connection.

⚠ CAUTION

DO NOT use Teflon™ tape, pipe thread compound, or other sealants. The use of a sealant may cause damage and premature failure of the drain pan.

Threaded drain connection should be hand-tightened, plus no more than 1 turn.

Avoid Double Trapping of a single drain line.

Route the drain line so that it does not interfere with accessibility to the coil, air handling system or filter and will not be exposed to freezing temperatures. See Figures 19 and 20 for drain connection locations.

⚠ CAUTION

When the unit is installed in an attic or above a finished ceiling, an auxiliary drain pan should be provided under the coil as specified by most local building codes. When this exterior secondary drain pan is used that drain should be piped to a location that will give the occupant a visual warning that the primary drain is clogged.

If the coil is provided with a secondary drain it should be piped to a location that will give the occupant a visual warning that the primary drain is clogged. If a secondary drain is not used it must be plugged. Instruct the owner that the evaporator coil drain pan should be inspected and cleaned regularly to prevent odors and assure proper drainage. If a secondary drain is not used it must be plugged. See Figures 19 and 20.

Coils should be installed level or pitched slightly toward the drain end. Suggested pitch should not exceed 1/4 inch per foot of coil.

The drain pan connections are designed to ASTM Standard D 2466 Schedule 40. Use 3/4" PVC or steel threaded pipe. Since the drains are not subject to any pressure it is not necessary to use Schedule 40 pipe for drain lines.

SECTION VIII: ELECTRIC HEATER INSTALLATION

If the air handler requires electric heat, install the electric heat kit according to the installation instructions included with the kit. After installing the kit, mark the air handler nameplate to designate the heater kit that was installed. If no heater is installed, mark the name plate appropriately to indicate that no heat kit is installed.

Use only 6HK Revision C or later heater kits, as listed on air handler name plate and in these instructions. Use data from Tables 4 through 8 for information on required minimum motor speed tap to be used for heating operation, maximum over-current protection device required as listed for combination of air handler and heater kit.

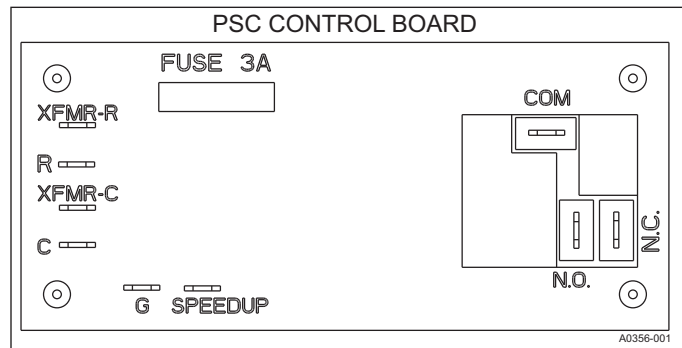


FIGURE 15: Blower Delay Control Board

SECTION IX: LINE POWER CONNECTIONS

Power may be brought into the unit through the supply air end of the unit (top left when unit is vertical) or the left side panel. Use the hole appropriate to the unit's orientation in each installation to bring conduit from the disconnect. The power lead conduit should be terminated at the electrical control box. Refer to Tables 6 through 9 to determine proper wire sizing. Refer to the latest edition of the National Electric Code or in Canada the Canadian electrical Code and local codes to determine correct wire sizing. To minimize air leakage, seal the wiring entry point at the outside of the unit.

All electrical connections to air handlers must be made with copper conductors. **Direct connection of aluminum wiring to air handlers is not approved.**

If aluminum conductors are present, all applicable local and national codes must be followed when converting from aluminum to copper conductors prior to connection to the air handler.

The chosen conductor and connections all must meet or exceed the amperage rating of the overcurrent protector (service disconnect or fuse) in the circuit.

Existing aluminum wire within the structure must be sized correctly for the application according to National Electric Code and local codes. Caution must be used when sizing aluminum rather than copper conductors, as aluminum conductors are rated for less current than copper conductors of the same size.

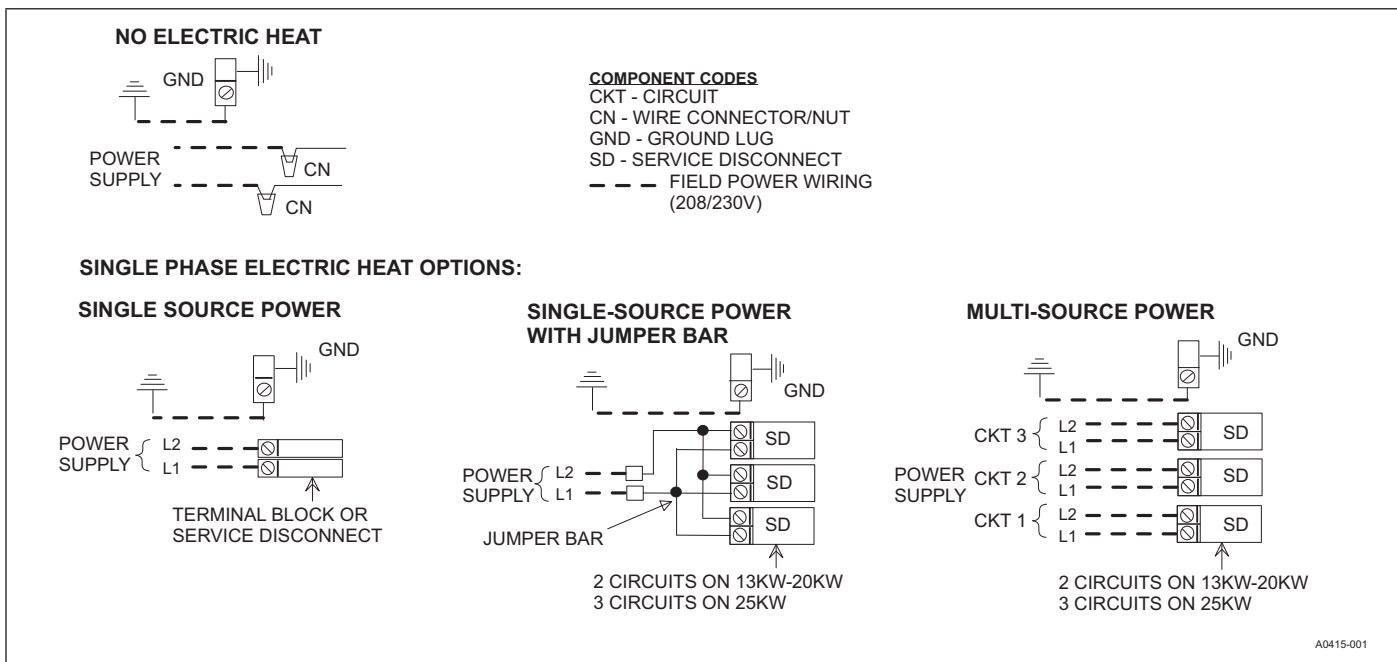


FIGURE 16: Line Power Connections

SECTION X: LOW VOLTAGE CONTROL CONNECTIONS

The 24 volt power supply is provided by an internally wired low voltage transformer which is standard on all models. If the unit is connected to a 208 volt power supply, the low voltage transformer must be rewired to the 208 volt tap. See the unit wiring diagram.

Field supplied low voltage wiring can exit the unit through the top right (when unit is vertical upflow) or the right side panel. Refer to Figure 3. Remove desired knockout and pierce foil faced insulation to allow wiring to pass through. Use as small of a hole as possible to minimize air leakage. Install a 7/8" plastic bushing in the selected hole and keep low voltage wiring as short as possible inside the control box.

To further minimize air leakage, seal the wiring entry point at the outside of the unit. The field wiring is to be connected at the pigtails supplied with the control board harness. Refer to Figures 21 and 22 for system wiring.

NOTICE

All wiring must comply with local and national electrical code requirements. Read and heed all unit caution labels.

NOTICE

It is possible to vary the amount of electric heat turned on during the defrost cycle of a heat pump. Standard wiring will only bring on the first stage of electric heat during defrost. See Table 6 for additional information on heat during defrost cycle.

SECTION XI: BLOWER SPEED CONNECTIONS

Adjust blower motor speed to provide airflow within the minimum and maximum limits approved for indoor coil, electric heat and outdoor unit. Speed tap adjustments are made at the motor terminal block. Airflow data is shown in Table 9.

Connect motor wires to motor speed tap receptacle for speed desired. See unit wiring label for motor wiring details.

Blower Speed Connections

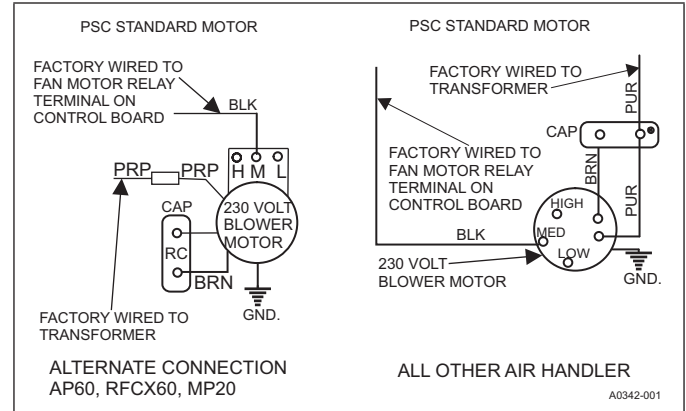


FIGURE 17: Blower Speed Connections

SECTION XII: UNIT DATA

TABLE 2: Physical and Electrical Data - Cooling Only

Models	18B	24B	30B	36B	36C	42C	48C	48D	60C	60D	
Blower - Diameter x Width	10 x 8	10 x 8	10 x 8	10 x 8	10 x 10	10 x 10	10 x 10	10 x 10	10 x 10	10 x 10	
Motor	HP	1/8 HP	1/4 HP	1/3 HP	1/2 HP	1/2 HP	1/2 HP	1/2 HP	1 HP	1 HP	
	Nominal RPM	867	850	950	1085	1050	1085	1040	1040	1007	
Voltage	208/230	208/230	208/230	208/230	208/230	208/230	208/230	208/230	208/230	208/230	
Full Load Amps @230V	1.0	1.4	2.3	2.6	2.2	2.8	2.9	2.9	4.1	4.1	
Filter ¹	Type	DISPOSABLE OR PERMANENT									
	Size	16 x 20 x 1	16 x 20 x 1	16 x 20 x 1	16 x 20 x 1	20 x 20 x 1	20 x 20 x 1	20 x 20 x 1	22 x 20 x 1	20 x 20 x 1	22 x 20 x 1
	Permanent Type Kit	1PF0601	1PF0601	1PF0601	1PF0601	1PF0602	1PF0602	1PF0602	1PF0603	1PF0602	1PF0603
Shipping/Operating Weight (lbs.)	91/85	93/87	119/113	119/113	120/114	144/136	158/150	163/153	156/146	180/170	

1. Field supplied.

TABLE 3: Electrical Data - Cooling Only

Models	Motor FLA ¹	Minimum Circuit Ampacity	MOP ²
18B	1.1	1.4	15
24B	1.4	1.8	15
30B	2.3	2.9	15
36B	2.6	3.3	15
36C	2.2	2.8	15
42C	2.8	3.5	15
48C/48D	2.9	3.6	15
60C/60D	4.1	5.1	15

1. FLA = Full Load Amps

2. MOP = Maximum Overcurrent Protection device; must be HACR type service disconnect or time delay fuse. Refer to the latest edition of the National Electric Code or in Canada the Canadian electrical Code and local codes to determine correct wire sizing.

TABLE 4: Electrical Heat: - Minimum Fan Speed

Heater Kit Models ^{1,2}	Nom. kW@240V	Air Handler Models									
		18B	24B	30B	36B	36C	42C	48C	48D	60C	60D
6HK(0,1)6500206	2.4kW	Med	Low	Low	Low	Low	Low	Low	Low	Low	Low
6HK(0,1)6500506	4.8kW	Med	Low	Low	Low	Low	Low	Low	Low	Low	Low
6HK(0,1)6500806	7.7kW	High	High	Med	Low	Low	Low	Low	Low	Low	Low
6HK(0,1)6501006	9.6kW	High	High	Med	Low	Low	Low	Low	Low	Low	Low
6HK(1,2)6501306	12.5kW	–	High	Med	Low	Med	Low	Low	Low	Low	Low
6HK(1,2)6501506	14.4kW	–	–	Med	Low	Med	Med	Low	Low	Low	Low
6HK(1,2)6501806	17.3kW	–	–	–	Low	Med	Med	Low	Low	Low	Low
6HK(1,2)6502006	19.2kW	–	–	–	Low	High	Med	Med	Med	High	Med
6HK(1,2)6502506	24kW	–	–	–	–	–	–	–	Med	–	Med

1. (0,1) - 0 = no service disconnect OR 1 = with service disconnect.

2. (1,2) - 1 = with service disconnect, no breaker jumper bar OR 2 = with service disconnect & breaker jumper bar.

TABLE 5: KW & MBH Conversions - For Total Power Input Requirement

For a power distribution voltage that is different than the provided nominal voltage, multiply the kW and MBH data from the table by the conversion factor in the following table.

DISTRIBUTION POWER	NOMINAL VOLTAGE	CONVERSION FACTOR
208V	240V	0.75
220V	240V	0.84
230V	240V	0.92

TABLE 6: Electric Heat Performance Data: 208/230-1-60

Heater Models ^{1,2}	Nominal kW @240V	Total Heat ³				kW Staging				
		kW		MBH		W1 Only		W1 + W2		
		208V	230V	208V	230V	208V	230V	208V	230V	
1PH	6HK(0,1)6500206	2.4	1.8	2.2	6.2	7.5	1.8	2.2	1.8	2.2
	6HK(0,1)6500506	4.8	3.6	4.4	12.3	15	3.6	4.4	3.6	4.4
	6HK(0,1)6500806	7.7	5.8	7.1	19.7	24.1	5.8	7.1	5.8	7.1
	6HK(0,1)6501006	9.6	7.2	8.8	24.6	30.1	7.2	8.8	7.2	8.8
	6HK(1,2)6501306	12.5	9.4	11.5	32	39.2	3.1	3.8	9.4	11.5
	6HK(1,2)6501506	14.4	10.8	13.2	36.9	45.1	3.6	4.4	10.8	13.2
	6HK(1,2)6501806	17.3	13	15.9	44.3	54.2	6.5	7.9	13	15.9
	6HK(1,2)6502006	19.2	14.4	17.6	49.2	60.2	7.2	8.8	14.4	17.6
6HK(1,2)6502506	24	18	22	61.5	75.2	7.2	8.8	18	22	

1. (0,1) - 0 = no service disconnect OR 1 = with service disconnect.

2. (1,2) - 1 = with service disconnect, no breaker jumper bar OR 2 = with service disconnect & breaker jumper bar.

3. For different power distributions, see conversion table.

TABLE 7: Electrical Data For Single Source Power Supply: 208/230-1-60

Air Handler Models	Heater Models ^{1,2}	Heater Amps @240V	Field Wiring			
			Min. Circuit Ampacity		MOP. ³	
			208V	230V	208V	230V
18B	6HK(0,1)6500206	10	12.2	13.3	15	15
	6HK(0,1)6500506	20	23.0	25.3	25	30
	6HK(0,1)6500806	32	36.2	40.0	40	40
	6HK(0,1)6501006	40	44.6	49.2	45	50
24B	6HK(0,1)6500206	10	12.6	13.7	15	15
	6HK(0,1)6500506	20	23.4	25.7	25	30
	6HK(0,1)6500806	32	36.6	40.3	40	45
	6HK(0,1)6501006	40	45.0	49.6	45	50
	6HK(1,2)6501306	52	58.2	64.3	60	70
30B	6HK(0,1)6500206	10	13.7	14.8	15	15
	6HK(0,1)6500506	20	24.5	26.8	25	30
	6HK(0,1)6500806	32	37.7	41.5	40	45
	6HK(0,1)6501006	40	46.1	50.7	50	60
	6HK(1,2)6501306	52	59.4	65.4	60	70
	6HK(1,2)6501506	60	67.8	74.6	70	80
36B	6HK(0,1)6500206	10	14.1	15.2	15	20
	6HK(0,1)6500506	20	24.9	27.2	25	30
	6HK(0,1)6500806	32	38.1	41.8	40	45
	6HK(0,1)6501006	40	46.5	51.1	50	60
	6HK(1,2)6501306	52	59.7	65.8	60	70
	6HK(1,2)6501506	60	68.2	75.0	70	80
	6HK(1,2)6501806	72	81.4	89.7	90	90
	6HK(1,2)6502006	80	89.8	98.9	90	100
36C	6HK(0,1)6500206	10	13.6	14.7	15	15
	6HK(0,1)6500506	20	24.4	26.7	25	30
	6HK(0,1)6500806	32	37.6	41.3	40	45
	6HK(0,1)6501006	40	46.0	50.6	50	60
	6HK(1,2)6501306	52	59.2	65.3	60	70
	6HK(1,2)6501506	60	67.7	74.5	70	80
	6HK(1,2)6501806	72	80.9	89.2	90	90
	6HK(1,2)6502006	80	89.3	98.4	90	100
42C	6HK(0,1)6500206	10	14.3	15.5	15	20
	6HK(0,1)6500506	20	25.1	27.4	30	30
	6HK(0,1)6500806	32	38.4	42.1	40	45
	6HK(0,1)6501006	40	46.8	51.3	50	60
	6HK(1,2)6501306	52	60.0	66.0	60	70
	6HK(1,2)6501506	60	68.4	75.2	70	80
	6HK(1,2)6501806	72	81.6	89.9	90	90
	6HK(1,2)6502006	80	90.0	99.2	90	100
48C	6HK(0,1)6500206	10	14.4	15.6	15	20
	6HK(0,1)6500506	20	25.3	27.5	30	30
	6HK(0,1)6500806	32	38.5	42.2	40	45
	6HK(0,1)6501006	40	46.9	51.5	50	60
	6HK(1,2)6501306	52	60.1	66.1	70	70
	6HK(1,2)6501506	60	68.5	75.4	70	80
	6HK(1,2)6501806	72	81.8	90.0	90	90
	6HK(1,2)6502006	80	90.2	99.3	90	100

TABLE 7: Electrical Data For Single Source Power Supply: 208/230-1-60 (Continued)

Air Handler Models	Heater Models ^{1,2}	Heater Amps @240V	Field Wiring			
			Min. Circuit Ampacity		MOP. ³	
			208V	230V	208V	230V
48D	6HK(0,1)6500206	10	14.4	15.6	15	20
	6HK(0,1)6500506	20	25.3	27.5	30	30
	6HK(0,1)6500806	32	38.5	42.2	40	45
	6HK(0,1)6501006	40	46.9	51.5	50	60
	6HK(1,2)6501306	52	60.1	66.1	70	70
	6HK(1,2)6501506	60	68.5	75.4	70	80
	6HK(1,2)6501806	72	81.8	90.0	90	90
	6HK(1,2)6502006	80	90.2	99.3	100	100
60C	6HK(1,2)6502506	100	111.8	123.2	125	125
	6HK(0,1)6500206	10	15.9	17.1	20	20
	6HK(0,1)6500506	20	26.8	29.0	30	30
	6HK(0,1)6500806	32	40.0	43.7	40	45
	6HK(0,1)6501006	40	48.4	53.0	50	60
	6HK(1,2)6501306	52	61.6	67.6	70	70
	6HK(1,2)6501506	60	70.0	76.9	70	80
	6HK(1,2)6501806	72	83.3	91.5	90	100
60D	6HK(1,2)6502006	80	91.7	100.8	100	110
	6HK(0,1)6500206	10	15.9	17.1	20	20
	6HK(0,1)6500506	20	26.8	29.0	30	30
	6HK(0,1)6500806	32	40.0	43.7	40	45
	6HK(0,1)6501006	40	48.4	53.0	50	60
	6HK(1,2)6501306	52	61.6	67.6	70	70
	6HK(1,2)6501506	60	70.0	76.9	70	80
	6HK(1,2)6501806	72	83.3	91.5	90	100
6HK(1,2)6502006	80	91.7	100.8	100	110	
6HK(1,2)6502506	100	113.3	124.7	125	125	

1. (0,1) - maybe 0 (no service disconnect) or 1 (with service disconnect).

2. (1,2) maybe 1 (with service disconnect, no breaker jumper bar) or 2 (with service disconnect & breaker jumper bar).

3. MOP = Maximum Overcurrent Protection device; must be HACR type service disconnect or time delay fuse. Refer to the latest edition of the National Electric Code or in Canada the Canadian electrical Code and local codes to determine correct wire sizing.

TABLE 8: Electrical Data For Multi-source Power Supply: 208/230-1-60

Air Handlers Models	Heater Models ^{1, 2}	Total Heater Amp@ 240V	Min. Circuit Ampacity						MOP ³					
			208V			230V			208V			230V		
			Circuit						Circuit					
			1st ³	2nd	3rd	1st ³	2nd	3rd	1st ³	2nd	3rd	1st ³	2nd	3rd
24B	6HK16501306	52	20.5	37.6	-	22.5	41.5	-	25	40	-	25	45	-
30B	6HK16501306	52	21.7	37.6	-	23.6	41.5	-	25	40	-	25	45	-
	6HK16501506	60	24.5	43.3	-	26.8	47.9	-	25	45	-	30	50	-
36B	6HK16501306	52	22.0	37.6	-	24.0	41.5	-	25	40	-	25	45	-
	6HK16501506	60	24.9	43.3	-	27.2	47.9	-	25	45	-	30	50	-
	6HK16501806	72	42.3	39.0	-	46.4	43.1	-	45	40	-	50	45	-
36C	6HK16502006	80	46.6	43.3	-	51.2	47.9	-	50	45	-	60	50	-
	6HK16501306	52	21.5	37.6	-	23.5	41.5	-	25	40	-	25	45	-
	6HK16501506	60	24.4	43.3	-	26.7	47.9	-	25	45	-	30	50	-
42C	6HK16501806	72	41.8	39.0	-	45.9	43.1	-	45	40	-	50	45	-
	6HK16502006	80	46.1	43.3	-	50.7	47.9	-	50	45	-	60	50	-
	6HK16501306	52	22.3	37.6	-	24.3	41.5	-	25	40	-	25	45	-
48C	6HK16501506	60	25.2	43.3	-	27.5	47.9	-	30	45	-	30	50	-
	6HK16501806	72	34.7	39.0	-	46.6	43.1	-	40	40	-	50	45	-
	6HK16502006	80	38.2	43.3	-	51.4	47.9	-	40	45	-	60	50	-
	6HK16501306	52	22.4	37.6	-	24.4	41.5	-	25	40	-	25	45	-
48D	6HK16501506	60	25.3	43.3	-	27.6	47.9	-	30	45	-	30	50	-
	6HK16501806	72	42.6	39.0	-	46.8	43.1	-	45	40	-	50	45	-
	6HK16502006	80	47.0	43.3	-	51.5	47.9	-	50	45	-	60	50	-
	6HK16501306	52	22.4	37.6	-	24.4	41.5	-	25	40	-	25	45	-
	6HK16502506	100	47.0	43.3	21.7	51.5	59.9	24.0	50	45	25	60	60	25
60C	6HK16501506	60	26.8	43.3	-	29.1	47.9	-	30	45	-	30	50	-
	6HK16501806	72	44.1	39.0	-	48.3	43.1	-	45	40	-	50	45	-
	6HK16502006	80	48.5	43.3	-	53.0	47.9	-	50	45	-	60	50	-
	6HK16501306	52	23.9	37.6	-	25.9	41.5	-	25	40	-	30	45	-
60D	6HK16501506	60	26.8	43.3	-	29.1	47.9	-	30	45	-	30	50	-
	6HK16501806	72	44.1	39.0	-	48.3	43.1	-	45	40	-	50	45	-
	6HK16502006	80	48.5	43.3	-	53.0	47.9	-	50	45	-	60	50	-
	6HK16502506	100	48.5	43.3	21.7	53.0	59.9	24.0	50	45	25	60	60	25

1. (0,1) - maybe 0 (no service disconnect) or 1 (with service disconnect).

2. (1,2) maybe 1 (with service disconnect, no breaker jumper bar) or 2 (with service disconnect & breaker jumper bar).

3. MOP = Maximum Overcurrent Protection device; must be HACR type circuit breaker or time delay fuse. The 1st circuit includes blower motor amps. Refer to the latest edition of the National Electric Code or in Canada the Canadian electrical Code and local codes to determine correct wire sizing.

TABLE 9: Air Flow Data (CFM)¹

Models	Blower Motor Speed	External Static Pressure (in. wc.)						
		0.10	0.20	0.30	0.40	0.50	0.60	0.70
208 Volts								
18B	High	723	702	666	576	523	373	317
	Medium	566	543	480	382	305	183	N/A
	Low	394	330	183	144	N/A	N/A	N/A
24B	High	990	973	953	924	885	797	713
	Medium	736	723	703	644	606	540	457
	Low	579	562	513	463	395	287	202
30B	High	1228	1192	1134	1078	1023	951	843
	Medium	1023	998	958	915	859	741	677
	Low	769	745	701	632	577	495	433
36B	High	1522	1475	1416	1349	1276	1188	1108
	Medium	1251	1217	1180	1135	1085	1042	968
	Low	965	951	936	914	886	836	742
36C	High	1539	1489	1450	1400	1283	1201	1110
	Medium	1159	1147	1096	1042	994	943	877
	Low	966	933	892	859	812	769	679
42C	High	1827	1769	1707	1634	1545	1315	1236
	Medium	1444	1423	1392	1348	1204	1118	1050
	Low	1136	1140	1116	1041	982	893	842
48C	High	1686	1643	1583	1507	1441	1357	1062
	Medium	1482	1439	1392	1340	1280	1090	971
	Low	1252	1222	1186	1148	987	928	810
48D	High	1988	1931	1853	1775	1695	1606	1391
	Medium	1672	1636	1587	1522	1439	1302	1139
	Low	1376	1348	1309	1249	1138	1038	973
60C	High	1851	1813	1757	1680	1601	1513	1262
	Medium	1718	1687	1631	1562	1499	1417	1185
	Low	1560	1546	1505	1441	1383	1258	1144
60D	High	1932	1871	1784	1701	1610	1491	1345
	Medium	1795	1734	1660	1590	1510	1402	1225
	Low	1622	1584	1524	1472	1391	1277	1115

1. Air handler units have been tested to UL 1995 / CSA 22.2 standards up to 0.30" wc. external static pressure.
 Dry coil conditions only, tested without filters.
 For optimal performance, external static pressures of 0.2" to 0.5" are recommended. Applications above 0.5" are not recommended.

TABLE 9: Air Flow Data (CFM)¹ (Continued)

Models	Blower Motor Speed	External Static Pressure (in. wc.)						
		0.10	0.20	0.30	0.40	0.50	0.60	0.70
230 Volts								
18B	High	806	780	745	687	623	508	380
	Medium	640	614	563	500	405	284	216
	Low	461	414	325	188	156	N/A	N/A
24B	High	1142	1114	1078	1051	988	931	778
	Medium	854	840	826	800	738	688	605
	Low	684	663	633	578	510	445	322
30B	High	1316	1270	1213	1151	1081	1008	917
	Medium	1139	1104	1059	1005	952	880	769
	Low	863	841	804	759	678	606	513
36B	High	1601	1552	1485	1414	1337	1258	1178
	Medium	1385	1352	1302	1252	1193	1106	1057
	Low	1117	1103	1079	1044	1001	945	889
36C	High	1671	1636	1581	1513	1439	1330	1210
	Medium	1326	1310	1280	1238	1162	1081	994
	Low	1125	1102	1059	1014	950	894	827
42C	High	1924	1861	1778	1707	1618	1442	1271
	Medium	1629	1585	1541	1470	1403	1226	1073
	Low	1323	1295	1271	1232	1111	1045	954
48C	High	1775	1727	1668	1596	1513	1431	1190
	Medium	1591	1551	1500	1447	1380	1312	1059
	Low	1392	1363	1317	1267	1206	1025	924
48D	High	2150	2069	1988	1894	1812	1690	1481
	Medium	1878	1812	1752	1677	1604	1497	1258
	Low	1583	1543	1493	1437	1332	1164	1075
60C	High	1931	1889	1808	1739	1655	1566	1472
	Medium	1845	1798	1731	1659	1581	1498	1249
	Low	1726	1692	1640	1578	1503	1416	1174
60D	High	2040	1969	1885	1779	1686	1562	1439
	Medium	1917	1861	1779	1694	1604	1492	1299
	Low	1789	1738	1658	1591	1502	1404	1206

1. Air handler units have been tested to UL 1995 / CSA 22.2 standards up to 0.30" wc. external static pressure. Dry coil conditions only, tested without filters. For optimal performance, external static pressures of 0.2" to 0.5" are recommended. Applications above 0.5" are not recommended.

SECTION XIII: MAINTENANCE

Filters must be cleaned or replaced when they become dirty. Inspect at least once per month. The frequency of cleaning depends upon the hours of operation and the local atmospheric conditions. Clean filters keep unit efficiency high.

COIL CLEANING

If the coil needs to be cleaned, it should be cleaned with water.

LUBRICATION

The bearings of the blower motor are permanently lubricated.

CONDENSATE DRAINS

During the cooling season check the condensate drain lines to be sure that condensate is flowing from the primary drain but not from the secondary drain. If condensate ever flows from the secondary drain the unit should be promptly shut off and the condensate pan and drains cleaned to insure a free flowing primary drain.

SECTION XIV: AIR SYSTEM ADJUSTMENT

To check the Cubic Feet per Minute (CFM), measure the external duct static using a manometer and static pressure tips. To prepare coil for static pressure measurements run the fan only to assure a dry coil.

NOTICE

Refer to Table 9 for coil Air Flow Data of Cubic Feet Per Minute (CFM).

Drill 2 holes, one 12" away from the air handler in the supply air duct and on 12" away from the air handler in the return air duct (before any elbows in the duct work). Insert the pressure tips, and energize the blower motor. See Table 9 to determine the air flow, and make the necessary adjustments to keep the CFM within the airflow limitations of the coil.

EXTERNAL DUCT STATIC

Measure the supply air static pressure. Record this positive number. Measure the return air static pressure. Record this negative number. Treat the negative number as a positive, and add the two numbers together to determine the total external system static pressure. If a filter rack is installed on the return air end of the air handler or indoor coil section, make sure to measure the return air duct static between the filter and the indoor coil.

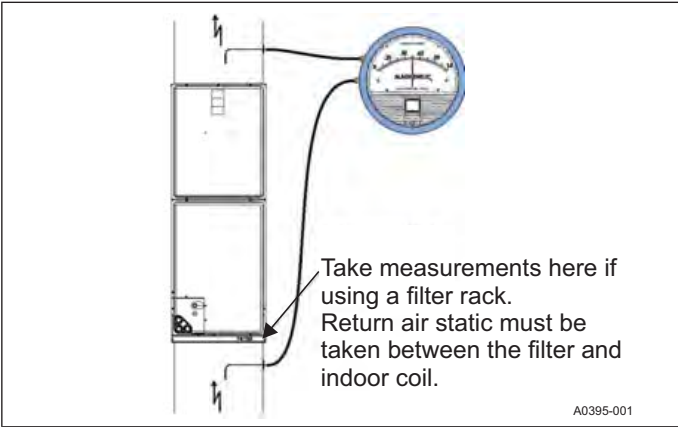


FIGURE 18: Duct Static Measurements

SECTION XV: INSTALLATION VERIFICATION

Prior to and during the accomplishment of the installation procedures, verify all tasks are accomplished as illustrated in Figures 19 and 20.

THERMAL EXPANSION VALVE (TXV) CHECK LIST

- Is coil metering device installed correctly?
- Was the correct TXV installed per the outdoor unit Technical Guide?
- Is the TXV bulb positioned correctly?
- Is temperature bulb insulated?
- Is equalizer line connected?

WERE THE PRIMARY AND SECONDARY DRAINS TRAPPED CORRECTLY?

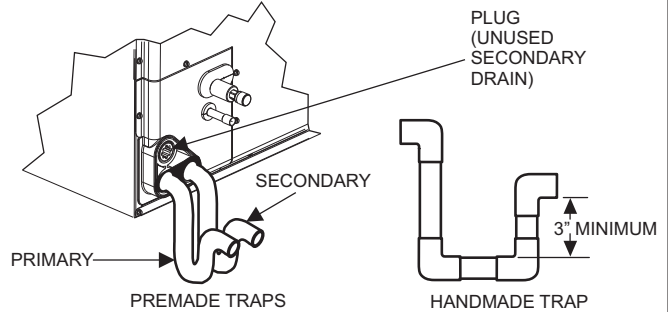


FIGURE 19: Drain Traps

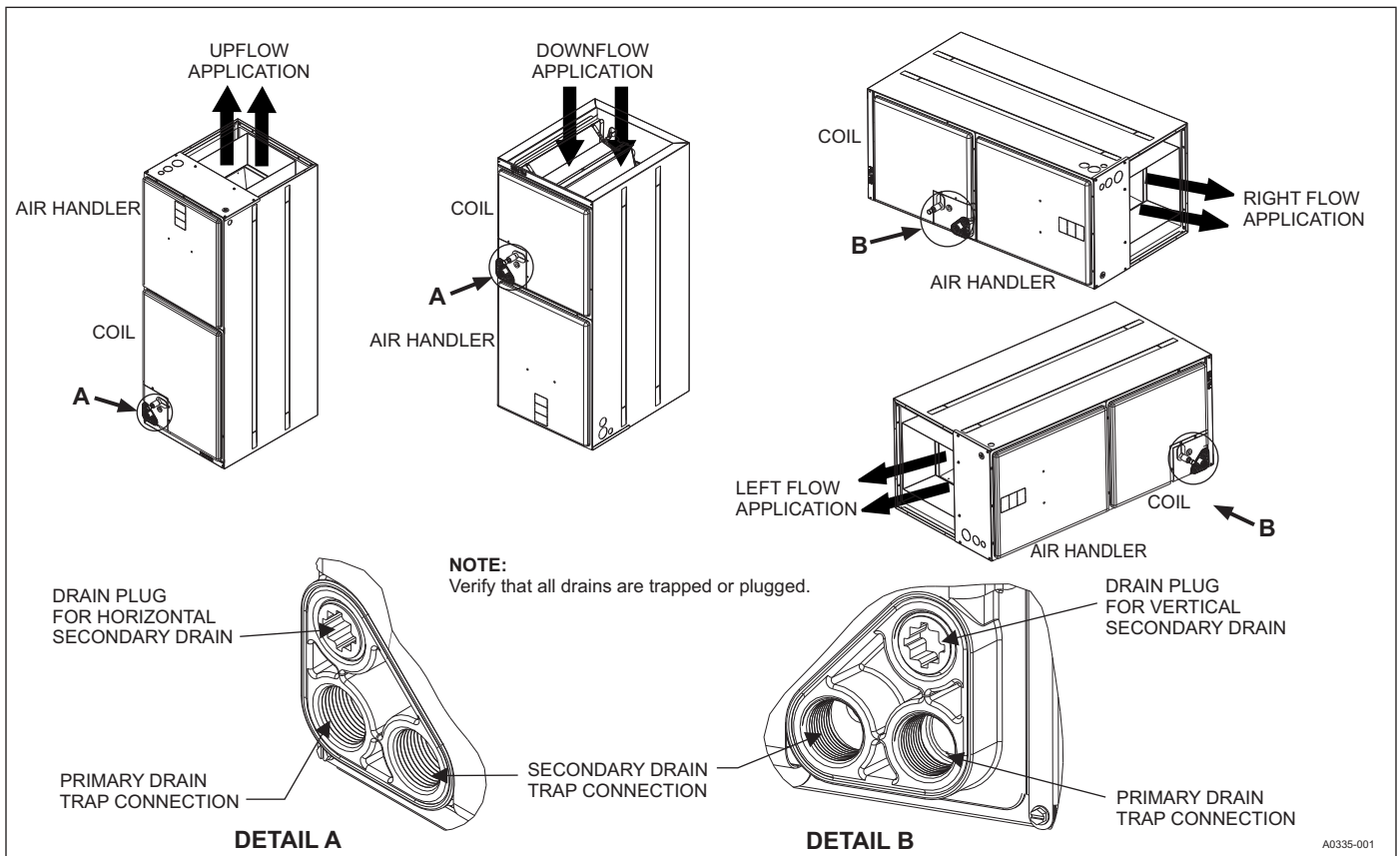


FIGURE 20: Location of Coil Trapped and Plugged Drain Connections

SECTION XVI: WIRING DIAGRAM

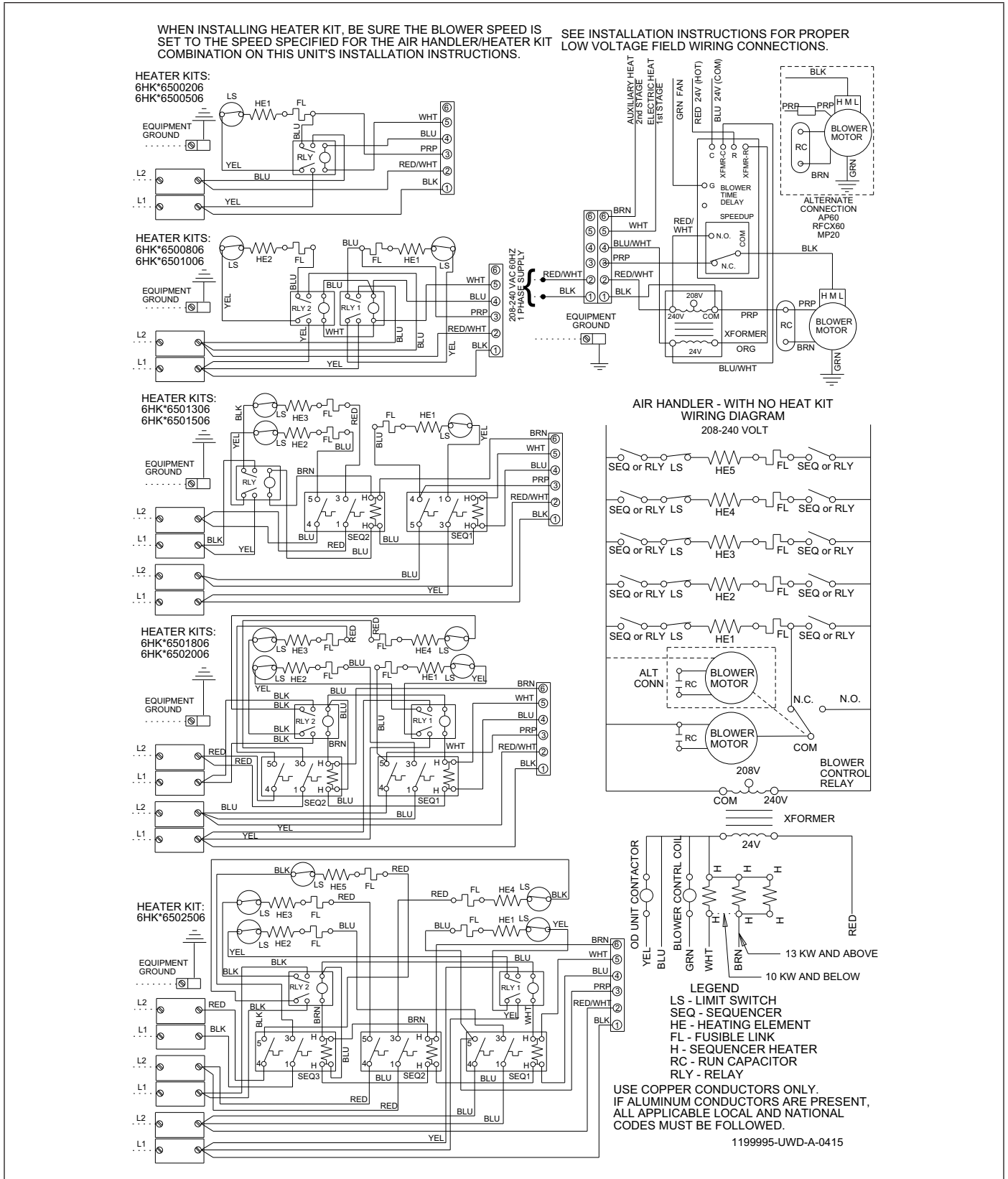


FIGURE 21: Wiring Diagram - PSC - Single Phase Heat Kits

SECTION XVII: TYPICAL THERMOSTAT CONNECTIONS

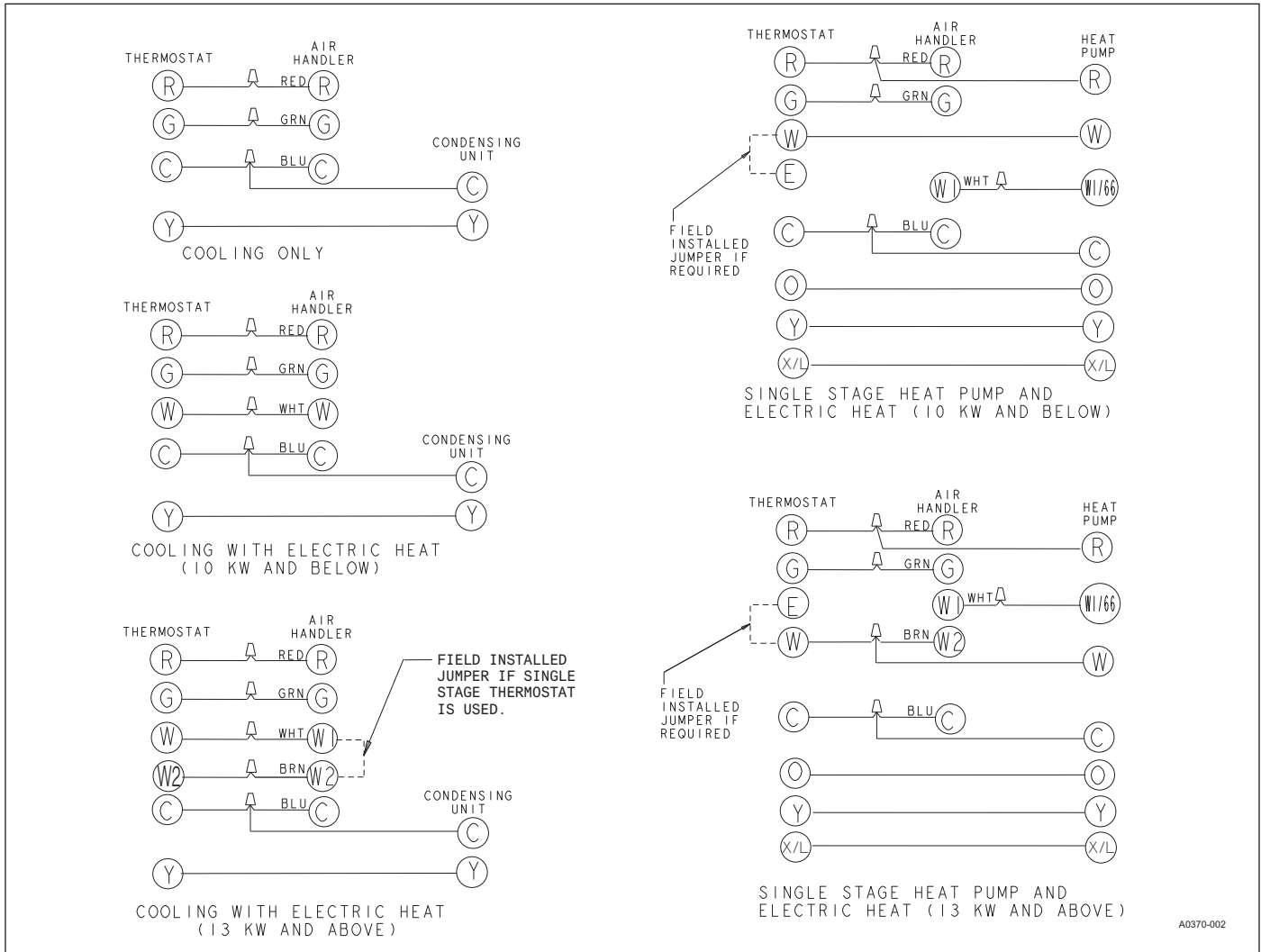


FIGURE 22: Typical Wiring Diagram - PSC

SECTION XVIII: START UP SHEET

Print Form

Residential Air Handler
with Electric Heat Start-Up Sheet

Reset Form

Proper start-up is critical to customer comfort and equipment longevity

Start-Up Date Company Name Start-Up Technician

Owner Information

Name Address Daytime Phone
City State or Province Zip or Postal Code

Equipment Data

Unit Model # Unit Serial #

General Information (Check all that apply)

New Construction Up flow Horizontal Left
 Retrofit Down flow Horizontal Right

Unit Location and Connections (Check all that apply)

Unit is level Duct connections are complete: Supply Return
 Condensate drain properly connected per the installation instructions Condensate trap has been primed with water

Filters

Filters installed Number of filters Filter size

Electrical Connections & Inspection (Complete all that apply)

208 volts AC 230 volt AC
 Inspect wires and electrical connections Transformer wired properly for primary supply voltage Ground connected
Line Voltage Measured (Volts AC) Low voltage value between "R" and "C" at control board (Volts AC)
 Thermostat wiring is complete Thermostat cycle rate or heat anticipator adjusted to Installation Manual specifications

Air Flow Setup

Blower Type & Set-Up	<input type="radio"/> ECM	COOL <input type="radio"/> A <input type="radio"/> B <input type="radio"/> C <input type="radio"/> D
		ADJUST <input type="radio"/> A <input type="radio"/> B <input type="radio"/> C <input type="radio"/> D
		DELAY <input type="radio"/> A <input type="radio"/> B <input type="radio"/> C <input type="radio"/> D
		HEAT <input type="radio"/> A <input type="radio"/> B <input type="radio"/> C <input type="radio"/> D
	<input type="radio"/> X-13	<input type="radio"/> 1 <input type="radio"/> 2 <input type="radio"/> 3 <input type="radio"/> 4 <input type="radio"/> 5
<input type="radio"/> PSC	<input type="radio"/> Low <input type="radio"/> Medium Low <input type="radio"/> Medium <input type="radio"/> Medium High <input type="radio"/> High	

Supply static (inches of water column) Supply air dry bulb temperature Outside air dry bulb temperature
Return static (inches of water column) Return air dry bulb temperature Return air wet bulb temperature
Total external static pressure Temperature drop Supply air wet bulb temperature

Other Jumpers (Check all that apply)

HUM STAT YES NO AC/HP AC HP CONT FAN L M H

Continued on next Page

Electric Heat (Complete all that apply)

Electric heat kit - Model number <input type="text"/>		Serial number <input type="text"/>		Rated KW <input type="text"/>	
Number of elements <input type="text"/>	Measured Amperage	Heater 1 <input type="text"/>	Heater 2 <input type="text"/>	Heater 3 <input type="text"/>	
		Heater 4 <input type="text"/>	Heater 5 <input type="text"/>	Heater 6 <input type="text"/>	
	Measured Voltage	Heater 1 <input type="text"/>	Heater 2 <input type="text"/>	Heater 3 <input type="text"/>	
		Heater 4 <input type="text"/>	Heater 5 <input type="text"/>	Heater 6 <input type="text"/>	
Heating return air dry bulb temperature <input type="text"/>		Heating supply air dry bulb temperature <input type="text"/>		Air temperature rise <input type="text"/>	

Clean Up Job Site

Job site has been cleaned, indoor and outdoor debris removed from job site

Tools have been removed from unit

All panels have been installed

Unit Operation and Cycle Test (Complete all that apply)

Operate the unit through continuous fan cycles from the thermostat, noting and correcting any problems

Operate the unit through cooling cycles from the thermostat, noting and correcting any problems

Operate the unit through mechanical heating cycles from the thermostat, noting and correcting any problems

Operate the unit through emergency heating cycles from the thermostat, noting and correcting any problems

Owner Education

Provide owner with the owner's manual

Explain operation of system to equipment owner

Explain thermostat use and programming (if applicable) to owner

Explain the importance of regular filter replacement and equipment maintenance

Comments and Additional Job Details