

SUBMITTAL DATA SHEET

SINGLE PIECE AIR HANDLER SPLIT-SYSTEM FAN COIL MODELS: AP SERIES

JOB NAME:		LOCATION:		
PURCHASER:		ORDER NO:		
ENGINEER:				
SUBMITTED TO:	FOR:	REF:	APPROVAL:	CONSTRUCTION:
SUBMITTED BY:		DATE:		
UNIT DESIGNATION:		SCHEDULE NO.	MODEL NO.	

PRODUCT DATA

Cooling Performance

Total Capacity* _____ MBH
 Sensible Capacity* _____ MBH
 Temperature of Air Entering _____
 Indoor Coil _____ °F (DB/WB)

Supply Air Blower Performance

Total Supply Air _____ CFM
 Total External Static Pressure _____ IWG
 Blower Speed Settings _____
 Motor Rating _____ HP
 Power Input Requirement _____ KW

Electrical Data

Power Supply _____ / _____ / _____
 Total Unit Ampacity _____ AMPS
 Minimum Wire Size _____ AWG
 (Copper conductors)

Maximum Overcurrent Device
 Fuses (Dual Element)
 Circuit Breaker (HACR)

Unit Weight

Total Unit Weight _____ LBS
 (Include field-installed accessories)

Options

Factory Installed TXV

* Shown in Outdoor Unit Technical Guide

CLEARANCES

Front	24"
Rear	0"*
Sides	0"*

* 0 Clearance allowed with or without Electric Heater.



FEATURES

RC² - Rigid Case Construction interior endoskeleton for structural support, flush side, and locks in insulation.
Powder-painted - G30 galvanized steel case provide a coated edge that resists corrosion and rust creep.
MaxAlloy™ Coil - Long life aluminum coils built to deliver lasting performance, efficiency and reliability.
Quality Construction - Structural components are made of Aluminum or G90 galvanized steel to prevent corrosion.
Improved Insulation Design - Single piece with no external screws to reduce thermal transmission paths to prevent sweating. Foil faced insulation for ease of cleaning.
Thermostatic Expansion Valve - Bolt-on TXV provides easy installation to convert the indoor coil to the required refrigerant that does not require brazing to replace or install. Some models are available with factory installed TXV.
Case Depth - These models have 20.5" casing which provide ease of attic access and tight applications.
Thermoset Drain Pan - Positive slope for drainage to reduce cause for potential mold or contaminants.
Factory Sealed - Achieves 2% or less total airflow leakage rate at duct leakage test conditions in positive and negative pressure for system airflow verification.
Enhanced Filter Rack - All models have integrated internal filter racks provided for use with 1" thick standard size filters.
Electric Heat Kits - 6HK series of field installed electric heat kits are available for installation-friendly and easy service applications.
Blowers - All models use direct-drive, multi-speed PSC motors.

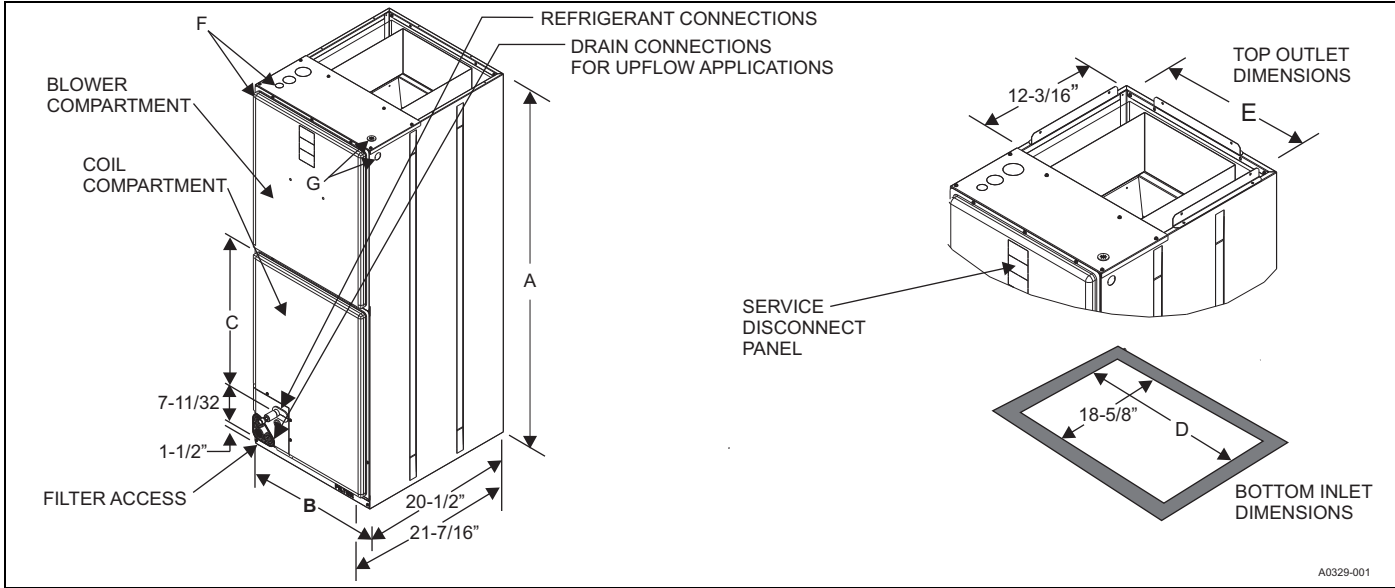
FIELD INSTALLED ACCESSORIES

- Electric Heaters (#6HK _____)
 Capacity (@ _____ Volts) _____ MBH
 Power Input Requirement (Less Blower Motor) _____ KW
- Combustible Floor Base (# _____)
- Thermal Expansion / Check Valve Kit (# _____)
- External Filter Kit (# _____)

MATCHED OUTDOOR UNIT

- Model Number (# _____)
- Submittal Part Number (# _____)

DIMENSIONS & DUCT CONNECTION DIMENSIONS



A0329-001

Dimensions¹

Models	Dimensions ¹					Wiring Knockouts ²		Refrigerant Connections Line Size	
	A	B	C	D	E	F	G	Liquid	Vapor
	Height	Width				Power (Conduit)	Control (Conduit)		
AP18BX21	41	17-1/2	12-7/8	14-1/4	16-1/2	7/8 (1/2) 1-3/8 (1) 1-23/32 (1-1/4)	7/8 (1/2)	3/8	3/4
AP24BX21	41	17-1/2	12-7/8	14-1/4	16-1/2				
AP30BX21	47-1/2	17-1/2	19-1/2	14-1/4	16-1/2				
AP36BX21	47-1/2	17-1/2	19-1/2	14-1/4	16-1/2				
AP36CX21	51-1/2	21	22-5/8	17-3/4	20			7/8	
AP42CX21	51-1/2	21	22-5/8	17-3/4	20				
AP48CX21	51-1/2	21	22-5/8	17-3/4	20				
AP48DX21	55-1/2	24-1/2	26-5/8	21-1/4	23-1/2				
AP60CX21	55-3/4	21	26-7/8	17-3/4	20				
AP60DX21	55-1/2	24-1/2	26-5/8	21-1/4	23-1/2				

1. All dimensions are in inches.
2. Knockout size (conduit size in parentheses).