



www.Source1Parts.com

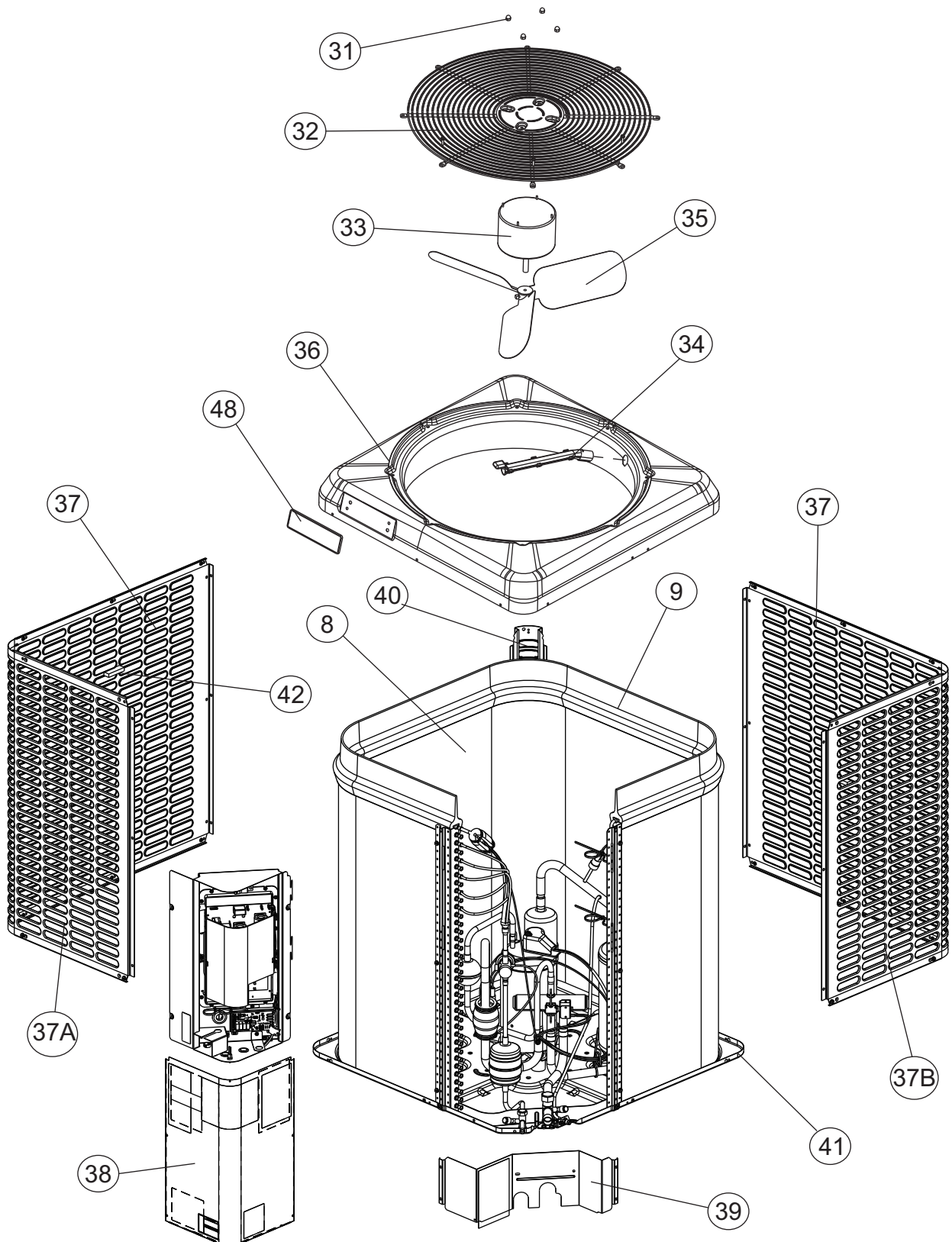
CH16 SERIES - FIN AND TUBE 16 SEER MODULATING HEAT PUMPS, R-410A (STYLE A)

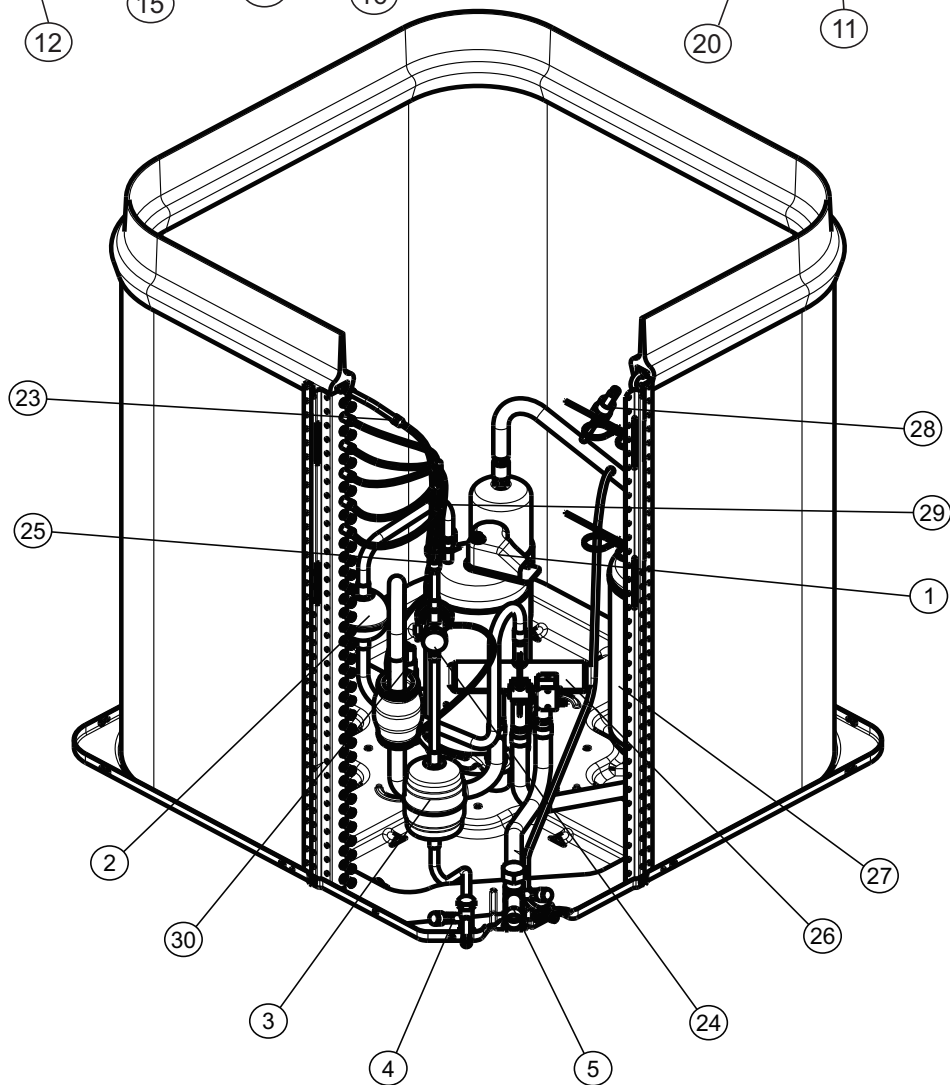
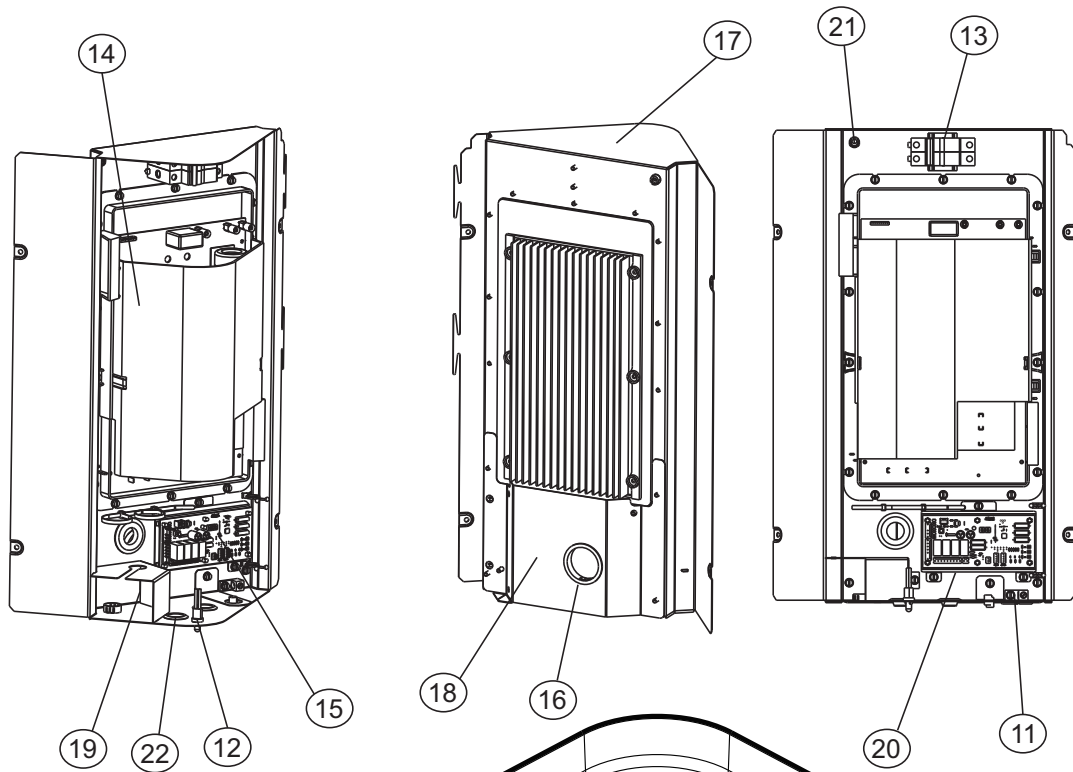
HVAC SERVICE PARTS

Supersedes:035-24603-001 Rev. A (0316)

035-24603-001 Rev. B (0516)

1 of 4





ITEM	DESCRIPTION	CH16B2421SA	CH16B3621SA	CH16B4821SA	CH16B6021SA
1	Compressor	S1-01504815007	S1-01504816007	S1-01504817007	S1-01504831007
2	Muffler	S1-02212983000	S1-02212983000	S1-02212983000	S1-02212983000
3	Filter Drier	S1-02645689000	S1-02645689000	S1-52636219000	S1-52636219000
4	Base Valve (3/8") (Liquid)	S1-02322459000	S1-02322459000	S1-02322459000	S1-02322459000
5	Base Valve (3/4") (Suction)	S1-02322460000	S1-02322460000	---	---
	Base Valve (7/8") (Suction)	---	---	S1-02322461000	S1-02322461000
6*	Compressor Mount (3 Req'd)	S1-02817120000	S1-02817120000	S1-02817122000	S1-02817122000
7*	Bolt, Compressor (3 Req'd)	S1-02131417000	S1-02131417000	S1-02131417000	S1-02131417000
8	Outdoor Coil Assembly	S1-37339440001	S1-37339440002	S1-37339440003	S1-37339440004
9	Molded Foam, Outdoor Coil	S1-02817067000	S1-02817067000	S1-02817067000	S1-02817071000
10*	Heater, Crankcase	S1-02547300000	S1-02547300000	S1-02547300000	S1-02547300000
11	Lug, Ground	S1-02521798000	S1-02521798000	S1-02521798000	S1-02521798000
12	Sensor, Ambient Temp.	S1-02547280000	S1-02547280000	S1-02547280000	S1-02547280000
13	Breaker, Circuit	S1-02436305000	S1-02436306000	S1-02436307000	S1-02436308000
14	Inverter Drive	S1-33103501000	S1-33103502000	S1-33103503000	S1-33103504000
15	Board, Circuit	S1-33103500000	S1-33103500000	S1-33103500000	S1-33103500000
16	Grommet	S1-02817077001	S1-02817077001	S1-02817077001	S1-02817077001
17	Box, Control	S1-07339441001	S1-07339441001	S1-07339441001	S1-07339441001
18	Shield, Air Deflector	S1-07339442001	S1-07339442001	S1-07339442001	S1-07339442001
19	Shield, Lo-Volt	S1-07339443001	S1-07339443001	S1-07339443001	S1-07339443001
20	Stand-Off, Circuit Board	S1-07339444001	S1-07339444001	S1-07339444001	S1-07339444001
21	Relief, Strain	S1-02509080000	S1-02509080000	S1-02509080000	S1-02509080000
22	Plug, Seal (7/8")	S1-02515853000	S1-02515853000	S1-02515853000	S1-02515853000
23	Sensor, Temp. Defrost Thermistor	S1-02547281000	S1-02547281000	S1-02547281000	S1-02547281000
24	TXV	S1-02541346000	S1-02538739036	S1-02547924000	S1-02538739060
25	Distributor	S1-02213018000	S1-02213019000	S1-02213019000	S1-02256124000
26	Valve, Reversing	S1-02547288000	S1-02547288000	S1-02547289000	S1-02547289000
27	Accumulator	S1-02625573001	S1-02625573001	S1-02625573007	S1-02625573007
28	Switch, Pressure (Low)	S1-02439547000	S1-02439547000	S1-02439547000	S1-02439547000
29	Sensor, Temp, Defrost, Discharge	S1-02547304000	S1-02547304000	S1-02547304000	S1-02547304000
30	Switch, Pressure (High)	S1-02547320000	S1-02547320000	S1-02547320000	S1-02547320000
31	Kit, Motor Mounting (Acorn Nuts)	S1-36390117700	S1-36390117700	S1-36390117700	S1-36390117700
32	Guard, Fan	S1-02647769000	S1-02647769000	S1-02647770000	S1-02647770000
33	Motor, Fan	S1-02436320000	S1-02436321000	S1-02436322000	S1-02436322000
34	Wireway	S1-02816468000	S1-02816468000	S1-02816469000	S1-02816469000
35	Blade, Fan	S1-32634097000	S1-02634593000	S1-02642370000	S1-02642370000
36	Top	S1-07339395005	S1-07339395005	S1-07339395008	S1-07339395008
37	Panel, Coil Guard (2 Req'd)	S1-07339439006	S1-07339439003	---	---
37A	Panel, Coil Guard (LH)	---	---	S1-07339439005	S1-07339439005
37B	Panel, Coil Guard (RH)	---	---	S1-07339439004	S1-07339439004
38	Cover, Control Box	S1-07339438002	S1-07339438002	S1-07339438002	S1-07339438002
39	Panel, Block-Off	S1-07339437003	S1-07339399003	S1-07339399003	S1-07339399003
40	Post, Corner	S1-07339401005	S1-07339401011	S1-07339401011	S1-07339401011
41	Pan, Base	S1-07339397002	S1-07339397002	S1-07339397003	S1-07339397003
42	Mount, Stand-off, Coil Guard (2 Req'd)	S1-02817062000	S1-02817062000	S1-02817062000	S1-02817062000
43*	Harness, Wire, Low Volta, HP	S1-02527151000	S1-02527151000	S1-02527151000	S1-02527151000
44*	Harness, Inverter	S1-02547321000	S1-02547321000	S1-02547322000	S1-02547322000
45*	Harness, Compressor	S1-02527150000	S1-02527150000	S1-02527150000	S1-02527150000
46*	Harness, Outdoor Fan, HP	S1-02527152000	S1-02527152000	S1-02527152000	S1-02527152000
47*	Harness, Reversing Valve, HP	S1-02527153000	S1-02527153000	S1-02527153000	S1-02527153000
48	Badge, Branding	S1-02816477000	S1-02816477000	S1-02816477000	S1-02816477000
49*	Cap, Seal	S1-02310745000	S1-02310745000	S1-02310745000	S1-02310745000
50*	Core, Valve	S1-02202475700	S1-02202475700	S1-02202475700	S1-02202475700
51*	Body, Valve	S1-02208982000	S1-02208982000	S1-02208982000	S1-02208982000
52*	Strap, Cable	S1-02527642000	S1-02527642000	S1-02527642000	S1-02527642000
53*	Nut, Hex, Flange, Compressor	S1-02131423000	S1-02131423000	S1-02131423000	S1-02131423000
54*	Gasket, Nut, Compressor	S1-02817119000	S1-02817119000	S1-02817121000	S1-02817121000
55*	Washer, Rubber, Compressor	S1-02817116000	S1-02817116000	S1-02817116000	S1-02817116000
56*	Cover, Terminal, Compressor	S1-02817117000	S1-02817117000	S1-02817118000	S1-02817118000
57*	Blanket, Compressor Sound	S1-01008593000	S1-01008594000	S1-01008595000	S1-01008595000
58*	Dampener, Discharge Line	---	S1-02817125000	---	S1-02817127000
59*	Wiring Diagram	5163052	5163052	5163052	5163052

NOTE: *Not Shown
New replacement parts shown in **bold** face type at the first printing of parts list dated 5/16.
Major components and suggested stocking items are shown with shaded item number.
"-" Across from row indicates a change in that row.
--- Not applicable to specified model.

TO ORDER AUTHORIZED FACTORY REPLACEMENT PARTS - Contact your Source1 HVAC Parts Distributor or visit our website at www.Source1Parts.com for a Distributor and Dealer listing.