

SUBMITTAL DATA SHEET

FULL-CASED MULTI-POSITION ADD-ON COILS FOR USE WITH SPLIT-SYSTEM COOLING & HEAT PUMPS

MODELS: CM

JOB NAME:			LOCATION:	
PURCHASER:			ORDER NO:	
ENGINEER:				
SUBMITTED TO:	FOR:	REF:	APPROVAL:	CONSTRUCTION:
SUBMITTED BY:			DATE:	
UNIT DESIGNATION:			SCHEDULE NO.	MODEL NO.

PRODUCT DATA

Cooling Performance

Total Capacity* _____ MBH

Sensible Capacity* _____ MBH

Temperature of Air Entering

Indoor Coil _____ °F (DB/WB)

Supply Air Blower Performance

Total Supply Air _____ CFM

Total Resistance External To Unit _____ IWG

Blower Speed Tap _____ RPM

Motor Rating _____ HP

Unit Weight

Total Operating Weight _____ LBS

(Including field-installed accessories)

* Shown in Outdoor Unit Technical Guide

CLEARANCES

Front	24"
Rear	0"
Sides	0"

Recommended service clearance.



MATCHED INDOOR UNIT

- Model Number (# _____)
- Submittal Part Number (# _____)

MATCHED OUTDOOR UNIT

- Model Number (# _____)
- Submittal Part Number (# _____)

FEATURES

RC² - Rigid Case Construction interior endoskeleton for structural support, flush side, and locks in insulation.

Powder-painted - G30 galvanized steel case provide a coated edge that resists corrosion and rust creep.

MaxAlloy™ Coil - Long life aluminum coils built to deliver lasting performance, efficiency and reliability.

Quality Construction - Structural components are made of Aluminum or G90 galvanized steel to prevent corrosion.

Improved Insulation Design - Single piece with no external screws to reduce thermal transmission paths to prevent sweating. Foil faced insulation for ease of cleaning.

Thermostatic Expansion Valve - Bolt-on TXV provides easy installation to convert the indoor coil to the required refrigerant that does not require brazing to replace or install. Some models are available with factory installed TXV.

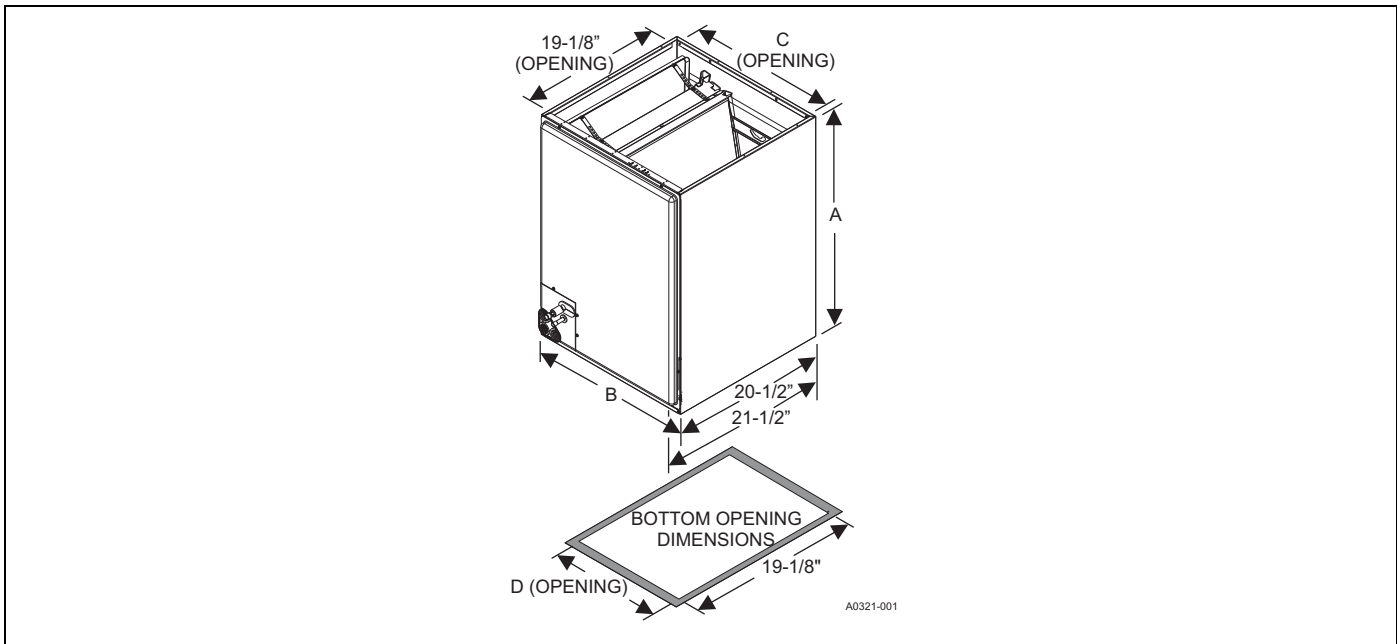
Case Depth - These models have 20.5" casing which provide ease of attic access and tight applications.

Thermoset Drain Pan - Positive slope for drainage to reduce cause for potential mold or contaminants.

FIELD INSTALLED ACCESSORIES

- Capacity (@ _____ Volts) _____ MBH
- Filter Rack (# _____)
- Interconnecting Lines. . . . Length _____ Ft
- Thermal Expansion Valve Kit (# _____)
- UV Light Kit _____

DIMENSIONS - INCHES



Dimensions - CM Multi-Position Full Cased Coils

Models	Dimensions ¹				Refrigerant Connections ^{2, 3, 4}	
	Height	Width	Opening Widths		Line Size	
	A	B	C	D	Liquid	Vapor
CM18AXA1	19-1/2	14-1/2	13-1/2	13-1/2	3/8	3/4
CM18BXA1	19	17-1/2	16-1/2	16-1/2		
CM24AXA1	19-1/2	14-1/2	13-1/2	13-1/2		
CM24BXA1	19	17-1/2	16-1/2	16-1/2		
CM24CXA1	21	21	20	20		
CM30AXA1	25-1/2	14-1/2	13-1/2	13-1/2		
CM30BXA1	23	17-1/2	16-1/2	16-1/2		
CM30CXA1	23	21	20	20		
CM30DXA1	25	24-1/2	23-1/2	23-1/2		
CM36AXA1	25-1/2	14-1/2	13-1/2	13-1/2		
CM36BXA1	25-5/8	17-1/2	16-1/2	16-1/2		
CM36CXA1	25	21	20	20		
CM36DXA1	25	24-1/2	23-1/2	23-1/2		
CM42CXA1	27	21	20	20		
CM42DXA1	27	24-1/2	23-1/2	23-1/2		
CM48CXA1	33	21	20	20		
CM48DXA1	32-3/4	24-1/2	23-1/2	23-1/2		
CM60CXA1	33	21	20	20		
CM60DXA1	32-3/4	24-1/2	23-1/2	23-1/2		
CM64DXA1	32-3/4	24-1/2	23-1/2	23-1/2	7/8	

1. All dimensions are in inches.
2. Refrigerant line sizes may require larger lines for extended line lengths. See Application Data part number 247077.
3. Adapter fitting must be field installed for other line set size.
4. See outdoor unit technical guide for proper line set size.