



www.Source1Parts.com

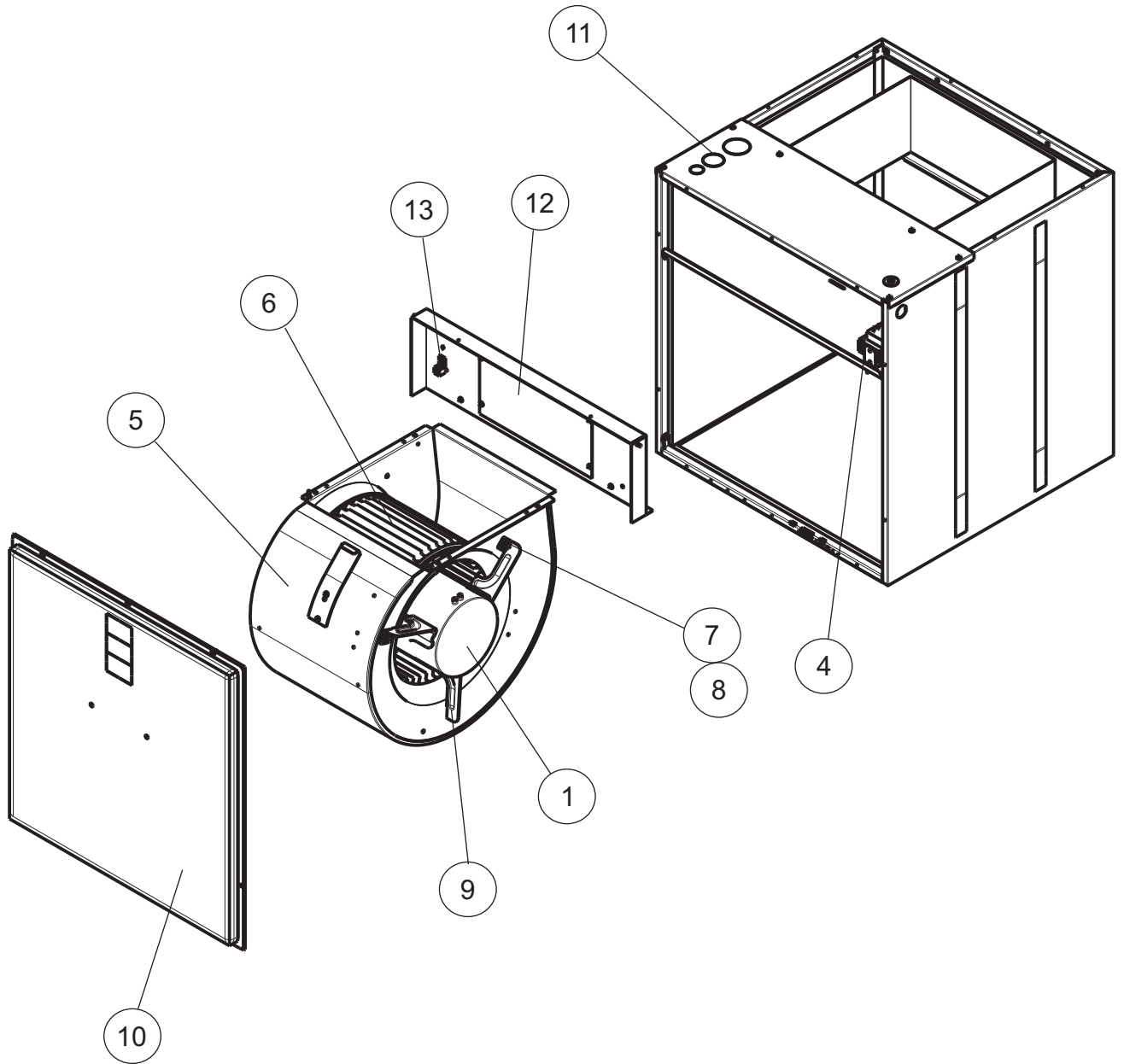
HVAC SERVICE PARTS

ME SERIES SINGLE PHASE MODULAR BLOWER STD ECM MOTORS (STYLE A)

Supersedes:Nothing

035-24210-001 Rev. A (0715)

1 of 2



ITEM	DESCRIPTION	ME08BN21A	ME12BN21A	ME14DN21A	<
1	Motor, Blower (Programmed)	S1-32436220486	S1-32436221487	S1-32436221488	
2					
3					
4	Transformer	S1-02518452700	S1-02518452700	S1-02518452700	
5	Housing, Blower	S1-37327931001	S1-37327931001	S1-37327931002	
6	Wheel, Blower	S1-02634005000	S1-02634005000	S1-02635471000	
7	Sleeve, Isolator, Steel (3 Req'd)	S1-02809412003	S1-02809412003	S1-02809412003	
8	Tube, Isolator, Rubber (3 Req'd)	S1-02809412001	S1-02809412001	S1-02809412001	
9	Mount, Motor	S1-32631480000	S1-32631480000	S1-32631459000	
10	Panel, Access (Front)	S1-37339410001	S1-37339410001	S1-37339410003	
11	Panel, Top	S1-37339409001	S1-37339409001	S1-37339409003	
12	Cover, Heat	S1-07339412001	S1-07339412001	S1-07339412001	
13	Lug, Ground	S1-02521798000	S1-02521798000	S1-02521798000	
14*	Harness, Wiring	S1-02547253000	S1-02547253000	S1-02547253000	
15*	Gasket, Door	S1-02817061000	S1-02817061000	S1-02817061000	
16*	Washer, Neoprene (3 Req'd)	S1-02809412002	S1-02809412002	S1-02809412002	
17*	Screw, Slotted (3 Req'd)	S1-02117174000	S1-02117174000	S1-02117174000	
18*	Diagram, Wiring	5001016	5001016	5001016	

ITEM	DESCRIPTION	ME16CN21A	ME20DN21A	<
1	Motor, Blower (Programmed)	S1-32436222489	S1-32436222490	
2				
3				
4	Transformer	S1-02518452700	S1-02518452700	
5	Housing, Blower	S1-37327931002	S1-37327931002	
6	Wheel, Blower	S1-02635471000	S1-02635471000	
7	Sleeve, Isolator, Steel (3 Req'd)	S1-02809412003	S1-02809412003	
8	Tube, Isolator, Rubber (3 Req'd)	S1-02809412001	S1-02809412001	
9	Mount, Motor	S1-32631459000	S1-32631459000	
10	Panel, Access (Front)	S1-37339410002	S1-37339410003	
11	Panel, Top	S1-37339409002	S1-37339409003	
12	Cover, Heat	S1-07339412001	S1-07339412001	
13	Lug, Ground	S1-02521798000	S1-02521798000	
14*	Harness, Wiring	S1-02547253000	S1-02547253000	
15*	Gasket, Door	S1-02817061000	S1-02817061000	
16*	Washer, Neoprene (3 Req'd)	S1-02809412002	S1-02809412002	
17*	Screw, Slotted (3 Req'd)	S1-02117174000	S1-02117174000	
18*	Diagram, Wiring	5001016	5001016	

NOTE: *Not Shown
 New replacement parts shown in **bold** face type at the first printing of parts list dated 7/15.
 Major components and suggested stocking items are shown with shaded item number.
 "<" Across from row indicates a change in that row.
 --- Not applicable to specified model.

TO ORDER AUTHORIZED FACTORY REPLACEMENT PARTS - Contact your Source1 HVAC Parts Distributor or visit our website at www.Source1Parts.com for a Distributor and Dealer listing.