



www.Source1Parts.com

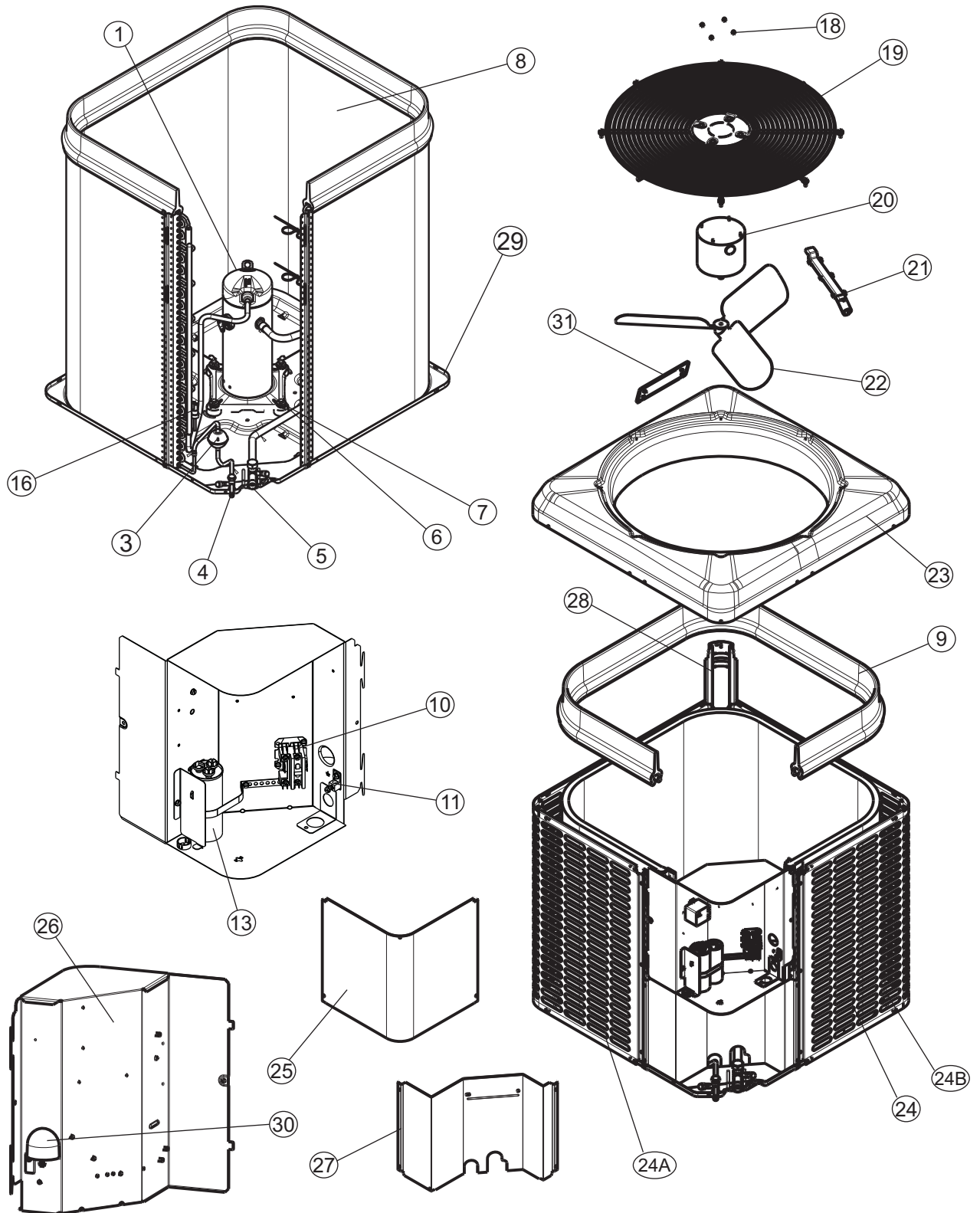
TF4 SERIES - FIN AND TUBE 14 SEER AIR CONDITIONER - R410A (STYLE A)

HVAC SERVICE PARTS

Supersedes:035-24555-001 Rev. B (0915)

035-24555-001 Rev. C (1115)

1 of 4



ITEM	DESCRIPTION	TF4B1821SA	TF4B2421SA	TF4B3021SA	TF4B3621SA
1	Compressor	S1-01504818004	S1-01504787004	S1-01504788004	S1-01504618004
2					
3	Filter Drier	S1-02922195000	S1-02922195000	S1-02922195000	S1-02922195000
4	Base Valve (3/8") (Liquid)	S1-02322459000	S1-02322459000	S1-02322459000	S1-02322459000
5	Base Valve (3/4") (Suction)	S1-02322460000	S1-02322460000	S1-02322460000	S1-02322460000
6	Compressor Mount (Pkg. of 4)	S1-02810581000	S1-02810581000	S1-02810581000	S1-02810581000
7	Bolt, Compressor (4 Req'd)	S1-02131417000	S1-02131417000	S1-02131417000	S1-02131417000
8	Outdoor Coil Assembly	S1-37339421001	S1-37339421002	S1-37339421003	S1-37339421003
9	Molded Foam, Outdoor Coil	S1-02817064000	S1-02817067000	S1-02817070000	S1-02817070000
10	Contactora (30 amp)	S1-02427531000	S1-02427531000	S1-02427531000	S1-02427531000
11	Lug, Ground	S1-02521798000	S1-02521798000	S1-02521798000	S1-02521798000
12					
13	Dual Capacitor (30/5 MFD)	S1-02424778700	---	---	---
	Dual Capacitor (40/5 MFD)	---	S1-02425893700	---	---
	Dual Capacitor (45/5 MFD)	---	---	S1-02425859700	---
	Dual Capacitor (45/5 MFD)	---	---	---	S1-02425120700
14					
15					
16	Switch, Pressure (High)	S1-02546848000	S1-02546848000	S1-02546848000	S1-02546848000
17*	Mount, Stand-off, Coil Guard (2 Req'd)	S1-02817062000	S1-02817062000	S1-02817062000	S1-02817062000
18	Kit, Motor Mounting (Acorn Nuts)	S1-36390117700	S1-36390117700	S1-36390117700	S1-36390117700
19	Guard, Fan	S1-02647768000	S1-02647769000	S1-02647770000	S1-02647770000
20	Motor, Fan	S1-02435710000	S1-02436228000	S1-02436227000	S1-02436227000
21	Wireway	S1-02816467000	S1-02816468000	S1-02816469000	S1-02816469000
22	Blade, Fan	S1-02642444000	S1-02647131000	S1-02631361000	S1-02631361000
23	Top	S1-07339395002	S1-07339395005	S1-07339395008	S1-07339395008
24	Panel, Coil Guard (2 Req'd)	S1-07339398023	S1-07339398004	---	---
24A	Panel, Coil Guard (LH)	---	---	S1-07339398027	S1-07339398027
24B	Panel, Coil Guard (RH)	---	---	S1-07339398025	S1-07339398025
25	Cover, Control Box	S1-07339400002	S1-07339400005	S1-07339400005	S1-07339400005
26	Box, Control	S1-07339396001	S1-07339396002	S1-07339396002	S1-07339396002
27	Panel, Block-Off	S1-07339399014	S1-07339399003	S1-07339399016	S1-07339399016
28	Post, Corner	S1-07339401007	S1-07339401009	S1-07339401011	S1-07339401011
29	Pan, Base	S1-07339397001	S1-07339397002	S1-07339397003	S1-07339397003
30	Gasket, Rain Guard	S1-02817106000	S1-02817106000	S1-02817106000	S1-02817106000
31	Badge, Branding	S1-02816476000	S1-02816476000	S1-02816476000	S1-02816476000
32*	Harness, Wire, AC	S1-02547245000	S1-02547245000	S1-02547245000	S1-02547245000
33					
34*	Harness, Wiring (6 Pin)	S1-37320055004	---	---	---
35*	Harness, Compressor	S1-02541088000	S1-02541088000	S1-02541088000	S1-02541088000
36*	Wiring Diagram	1183564	1183564	1183564	1183564

NOTE: *Not ShownNew replacement parts shown in **bold** face type at the first printing of parts list dated 11/15.

Major components and suggested stocking items are shown with shaded item number.

"←" Across from row indicates a change in that row.

--- Not applicable to specified model.

ITEM	DESCRIPTION	TF4B4221SA	TF4B4821SA	TF4B6021SA
1	Compressor	S1-01504627004	S1-01504616004	S1-01504615004
2				
3	Filter Drier	S1-02922195000	S1-02922195000	S1-02922195000
4	Base Valve (3/8") (Liquid)	S1-02322459000	S1-02322459000	S1-02322459000
5	Base Valve (7/8") (Suction)	S1-02322461000	S1-02322461000	S1-02322461000
6	Compressor Mount (Pkg. of 4)	S1-02810505000	S1-02810505000	S1-02810505000
7	Bolt, Compressor (4 Req'd)	S1-02131417000	S1-02116047000	S1-02116047000
8	Outdoor Coil Assembly	S1-37339421004	S1-37339421004	S1-37339421005
9	Molded Foam, Outdoor Coil	S1-02817071000	S1-02817071000	S1-02817074000
10	Contactora (30 amp)	S1-02427531000	---	---
	Contactora (40 amp)	---	S1-02425837700	S1-02425837700
11	Lug, Ground	S1-02521798000	S1-02521798000	S1-02521798000
12				
13	Dual Capacitor (45/5 MFD)	S1-02425120700	---	---
	Dual Capacitor (70/5 MFD)	---	S1-02435844000	S1-02435844000
14				
15				
16	Switch, Pressure (High)	S1-02546848000	S1-02546848000	S1-02546848000
17*	Mount, Stand-off, Coil Guard (2 Req'd)	S1-02817062000	S1-02817062000	S1-02817062000
18	Kit, Motor Mounting (Acorn Nuts)	S1-36390117700	S1-36390117700	S1-36390117700
19	Guard, Fan	S1-02647770000	S1-02647770000	S1-02647771000
20	Motor, Fan	S1-02436227000	S1-02436227000	S1-02436244000
21	Wireway	S1-02816469000	S1-02816469000	S1-02816470000
22	Blade, Fan	S1-02631361000	S1-02631361000	S1-02647794000
23	Top	S1-07339395008	S1-07339395008	S1-07339395011
24A	Panel, Coil Guard (LH)	S1-07339398027	S1-07339398027	S1-07339398031
24B	Panel, Coil Guard (RH)	S1-07339398025	S1-07339398025	S1-07339398029
25	Cover, Control Box	S1-07339400005	S1-07339400005	S1-07339400005
26	Box, Control	S1-07339396002	S1-07339396002	S1-07339396002
27	Panel, Block-Off	S1-07339399016	S1-07339399016	S1-07339399016
28	Post, Corner	S1-07339401011	S1-07339401011	S1-07339401011
29	Pan, Base	S1-07339397003	S1-07339397003	S1-07339397004
30	Gasket, Rain Guard	S1-02817106000	S1-02817106000	S1-02817106000
31	Badge, Branding	S1-02816476000	S1-02816476000	S1-02816476000
32*	Harness, Wire, AC	S1-02547245000	S1-02547245000	S1-02547245000
33				
34*	Harness, Wiring (6 Pin)	---	---	---
35*	Harness, Compressor	S1-02541088000	S1-02541088000	S1-02541088000
36*	Wiring Diagram	1183564	1183564	1183564

NOTE: *Not ShownNew replacement parts shown in **bold** face type at the first printing of parts list dated 11/15.

Major components and suggested stocking items are shown with shaded item number.

"←" Across from row indicates a change in that row.

--- Not applicable to specified model.

TO ORDER AUTHORIZED FACTORY REPLACEMENT PARTS - Contact your Source1 HVAC Parts Distributor or visit our website at www.Source1Parts.com for a Distributor and Dealer listing.