

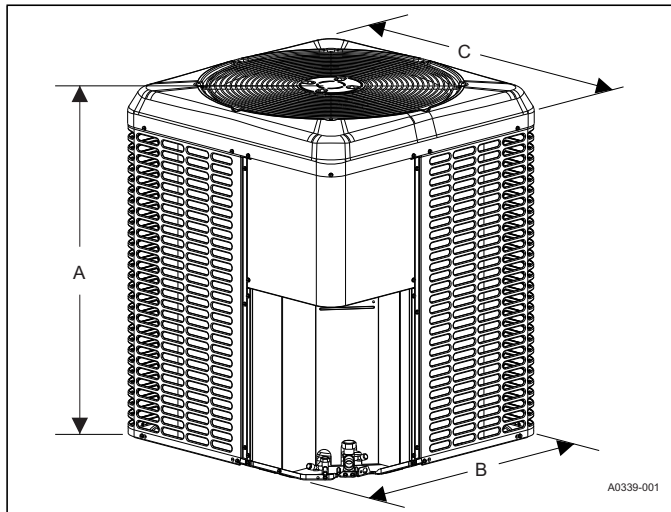
TABULAR DATA SHEET

LX SERIES SPLIT SYSTEM HEAT PUMPS 14.0 SEER – R-410A – 1 PHASE – 1.5 THRU 5 NOMINAL TONS MODELS: TH4B18 THRU 60

PHYSICAL AND ELECTRICAL DATA

MODEL		TH4B1821S	TH4B2421S	TH4B3021S	TH4B3521S	TH4B3622S	TH4B4223S	TH4B4822S	TH4B6022S
Unit Supply Voltage		208-230V, 1 ϕ , 60Hz							
Normal Voltage Range ¹		187 to 252							
Minimum Circuit Ampacity		12.0	15.4	18.1	20.5	22.0	26.8	30.8	31.7
Max. Overcurrent Device Amps ²		20	25	30	35	35	45	50	50
Min. Overcurrent Device Amps ³		15	20	20	25	25	30	35	35
Compressor Type		Scroll	Scroll	Scroll	Scroll	Scroll	Scroll	Scroll	Scroll
Compressor Amps	Rated Load	9.0	11.7	13.4	15.4	15.4	19.2	23.6	24.3
	Locked Rotor	56.3	61.6	72.5	83.9	83.9	123.9	130.0	144.2
Crankcase Heater		No	No	No	No	No	No	No	No
Factory External Discharge Muffler		Yes	Yes	Yes	Yes	Yes	Yes	Yes	Yes
HS Kit Required with TXV		No	No	No	No	No	No	No	No
HS Kit Part Number (S1-2SA067*****) ⁴		10106	10106	10106	10106	10106	10106	10106	10106
Fan Diameter Inches		22	22	24	24	26	26	26	26
Fan Motor	Type	PSC	PSC	PSC	PSC	ECM	ECM	PSC	PSC
	Rated HP	1/8	1/8	1/4	1/4	1/3	1/3	1/4	1/4
	Rated Load Amps	0.80	0.80	1.30	1.30	2.8	2.8	1.30	1.30
	Nominal RPM	1075	1075	850	850	834	834	850	850
	Nominal CFM	2850	2850	2995	2995	3715	4000	4000	4100
Coil	Face Area Sq. Ft.	16.15	17.94	23.82	23.82	26.40	26.40	26.40	28.80
	Rows Deep	1	1	1	1	1	1	2	2
	Fins / Inch	22	22	22	22	22	22	18	18
Liquid Line Set OD (Field Installed)		3/8	3/8	3/8	3/8	3/8	3/8	3/8	3/8
Vapor Line Set OD (Field Installed) ⁵		3/4	3/4	3/4	3/4	3/4	7/8	7/8	1-1/8 [‡]
Unit Charge (Lbs. - Oz.) ⁶		5 - 11	6 - 7	7 - 15	8 - 1	9 - 1	10 - 5	15 - 4	14 - 10
Charge Per Foot, Oz.		0.62	0.62	0.62	0.62	0.62	0.67	0.67	0.75
Operating Weight Lbs.		120	131	176	176	230	230	235	256

1. Rated in accordance with AHRI Standard 110-2012, utilization range "A".
2. Dual element fuses or HACR circuit breaker. Maximum allowable overcurrent protection.
3. Dual element fuses or HACR circuit breaker. Minimum recommended overcurrent protection.
4. Use S1-2SA067**** series kit. See Hard Start Kit Accessory Installation Manual.
5. For applications with non-standard vapor line sizes, see the "Applications & Accessories" section of this Technical Guide.
6. The Unit Charge is correct for the outdoor unit, smallest matched indoor unit, and 15 feet of refrigerant tubing. For tubing lengths other than 15 feet, add or subtract the amount of refrigerant, using the difference in actual lineset length (not the equivalent length) multiplied by the per foot value.



DIMENSIONS

Unit Model	Dimensions (Inches)			Refrigerant Connection Service Valve Size	
	A	B	C	Liquid	Vapor
TH4B1821S	33-1/4	29-1/4	29-1/4	3/8	3/4
TH4B2421S	36-1/4	29-1/4	29-1/4		
TH4B3021S	39-1/2	35-1/4	31-3/4		
TH4B3521S	39-1/2	35-1/4	31-3/4		
TH4B3622S	39-1/2	38	34-1/4		
TH4B4223S	39-1/2	38	34-1/4	7/8	7/8
TH4B4822S	39-1/2	38	34-1/4		
TH4B6022S	42-3/4	38	34-1/4	7/8 [‡]	

‡ Adapter fitting must be field installed for the required 1-1/8" line set.
All dimensions are in inches and are subject to change without notice.
Overall height is from bottom of base pan to top of fan guard.
Overall length and width include screw heads.

SYSTEM CHARGE FOR VARIOUS MATCHED SYSTEMS

Outdoor Unit	TH4B1821S	TH4B2421S	TH4B3021S	TH4B3521S	TH4B3622S	TH4B4223S	TH4B4822S	TH4B6022S
Required TXV ^{1,2}	BA1	BA1	BA1 or BB1	BA1 or BB1	BA1 or BF1	BC1	BC1	BG1 or BC1
Defrost Jumper Pin Setting	2	2	2	3	3	2	4	2
Indoor Unit ^{3,4,5}	Additional Charge, oz							
AP18B	0	-	-	-	-	-	-	-
AP24B	7	0	-	-	-	-	-	-
AP30B	-	9	0	-	-	-	-	-
AP36B	-	-	0	-	-	-	-	-
AP36C	-	-	-	-	-	-	-	-
AP37C	-	-	-	-	8	-	-	-
AP42C	-	-	-	-	-	-	-	-
AP48(C,D)	-	-	-	-	-	0	-	-
AP60(C,D)	-	-	-	-	-	-	-	-
AE18B	0	-	-	-	-	-	-	-
AE24B	7	0	-	-	-	-	-	-
AE30B	-	9	0	-	-	-	-	-
AE36(B,C)	-	-	0	0	-	-	-	-
AE42C	-	-	3	7	8	0	-	-
AE48(C,D)	-	-	-	-	8	0	0	-
AE60C	-	-	-	-	-	-	8	-
AE60D	-	-	-	-	-	-	-	2
AVC18B	0	-	-	-	-	-	-	-
AVC24B	7	0	-	-	-	-	-	-
AVC30B	-	9	0	-	-	-	-	-
AVC36(B,C)	-	-	0	0	-	-	-	-
AVC42C	-	-	3	7	8	0	-	-
AVC48(C,D)	-	-	-	-	8	0	0	-
AVC60C	-	-	-	-	-	-	8	-
AVC60D	-	-	-	-	-	-	-	2
CF/CM/CU18(A,B)	0	-	-	-	-	-	-	-
CF/CM/CU24(A,B)	7	0	-	-	-	-	-	-
CF/CM/CU30(A,B,C)	-	9	0	-	-	-	-	-
CF/CM/CU36(A,B,C)	-	-	0	0	-	-	-	-
CF/CM/CU42(B,C,D)	-	-	3	8	-	-	-	-
CF/CM/CU48(C,D)	-	-	-	7	8	0	0	-
CF/CM/CU60(C,D)	-	-	-	-	-	-	8	-
CF/CM64D	-	-	-	-	-	-	-	2

Some of the combinations shown in the above System Charge table require Advanced Main Air Circulating Fan indoor product. For approved coil only matches, please see the "COOLING CAPACITY - Upflow, Downflow & Horizontal Furnaces and Coils" table.

FOOTNOTES:

- For applications requiring a TXV, use S1-1TVM*** series kit.
- A TXV kit must be used with these indoor units to obtain system performance.
- Systems matched with furnaces or air handlers not equipped with blower-off delays may require 60 second time delay.
- CF coils cannot be used in horizontal applications.
- Charge adders shown above do not indicate that coils are rated for every application. Refer to Performance Data Tables for actual performance for specified system matches. Obtain certified system ratings from www.ahridirectory.org.

CHARGING PROCEDURES:

- Check the Factory Unit Charge listed on the unit data plate to verify the refrigerant charge for the outdoor unit, the smallest matched indoor unit, and the 15 feet of interconnecting lineset.
- Verify the indoor metering device and additional charge required for the specific matched indoor unit in the system using the above table.
- Add additional charge for the amount of interconnecting lineset greater than 15 feet at the rate specified in the Physical and Electrical Data Table.
- For installations requiring additional charge, weigh in refrigerant for the specific matching indoor unit and actual lineset length.
- Once the charge adders for matched indoor unit and for lineset have been weighed in, verify the system operation against the temperatures and pressures in the Charging Chart for the outdoor unit. Locate Charging Charts on the outdoor unit and also in the Service Data Application Guide on www.upgnet.com. Follow the Subcool or the Superheat charging procedure in the Installation Manual according to the type of indoor metering device in the system, and allow ten minutes after each charge adjustment for the system operation to stabilize. Record the charge adjustment made to match the Charging Chart.
- Permanently stamp the unit data plate with the TOTAL SYSTEM CHARGE defined as follows: TOTAL SYSTEM CHARGE = Base Charge (as shipped) + charge adder for matched indoor unit (+ or -) charge adder for actual lineset length + charge adjustments to match the Charging Chart.