

Automatic Air Vents (For Water)

General Information

Honeywell Braukmann EA122 series air vents are designed for use on all types of hot or cold water systems. This series air vent is not suitable for steam systems. All models feature a removable top for easy servicing.

Sizes and Connections:

- EA122A1016 - 1/8" male with shutoff
- EA122B1017 - 1/8" male less shutoff
- EA122B1025 - 3/8" male less shutoff

Construction:

Body cover and float assembly of fiberglass, reinforced thermoplastics.
 EA122A1016 - with built in brass shutoff valve; seat and O-rings of E.P.D.M.
 EA122B1017 & EA122B1025 - without shutoff valve

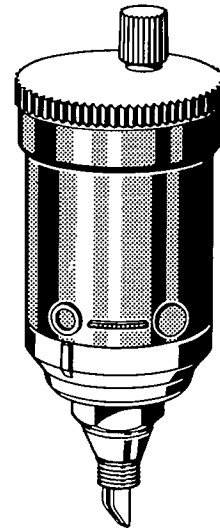
NOTE: EA122 series are not suitable for use with oil or oil based boiler additives.

Temperature and Pressure Ratings:

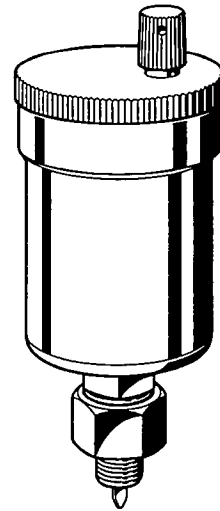
- Max. Pressure - 90 psi sustained
150 psi test
- Max. Temperature - 230° F (110° C) sustained
250° F (121° C) intermittent

Accessories:

- Q122A1001 - Safe Waste Connector for connecting top vent to 1/4" o.d. tubing.
- P122B1018 - Replacement Cartridge consisting of cap, float assembly, and seat.



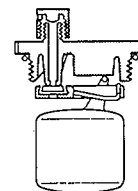
EA122A



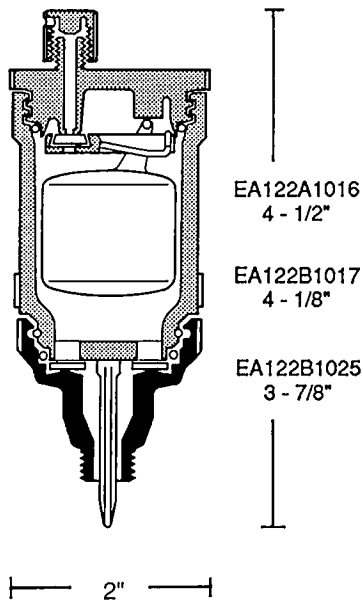
EA122B



Q122A1001



P122B1018



Closed Opened

Shut Off Valve
 After installation, the shut off valve is operated by simply twisting the air vent body clockwise to close, and counterclockwise to reopen. The top unscrews to allow easy access to and cleaning of the float valve seat if required.