

Installer: Leave this manual with the appliance. Consumer: Retain this manual for future reference.

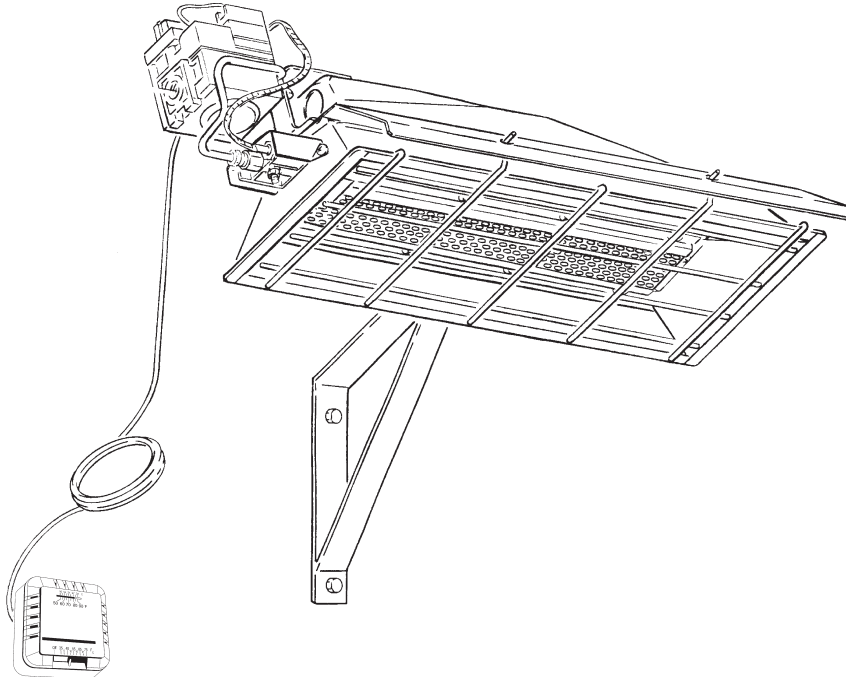


OPERATING INSTRUCTIONS AND OWNER'S MANUAL

MODEL #
HS25NG
HS22LP

READ INSTRUCTIONS CAREFULLY: YOUR SAFETY IS IMPORTANT TO YOU AND TO OTHERS. Read and follow all instructions. Place instructions in a safe place for future reference. Do not allow anyone who has not read these instructions to assemble, light, adjust or operate the heater.

GAS FIRED INFRA-RED WORKSHOP HEATER



Not for use in residential garages in Canada

⚠ WARNING: If the information in this manual is not followed exactly, a fire or explosion may result causing property damage, personal injury, or loss of life

- Do not store or use gasoline or other flammable vapors and liquids in the vicinity of this or any other appliance.
- WHAT TO DO IF YOU SMELL GAS
 - Shut off gas supply
 - Do not try to light any appliance
 - Do not touch an electrical switch; do not use any phone in your building.
 - Immediately call your gas supplier from phone remote from the area of the leak. Follow the gas supplier's instructions.
 - If you cannot reach your gas supplier, call the fire department.
- Installation and service must be performed by a qualified installer, service agency, or the gas supplier.

⚠ WARNING: This is an unvented gas-fired heater. It uses air (oxygen) from the room in which it is installed. Provisions for adequate combustion and ventilation air must be provided. Refer to Fresh Air for Combustion and Ventilation section on page 6 of this manual.

⚠ WARNING: Improper installation, adjustment, alteration, service or maintenance can cause property damage, injury or death. Read the installation, operation, and maintenance instructions thoroughly before installing or servicing this heater. For assistance or additional information consult a qualified installer, service agency, or gas supplier.

WARNINGS:

- ⚠ WARNING:** Improper installation, adjustment, alteration, service or maintenance can cause property damage, injury or death. Read the installation, operation, and maintenance instructions thoroughly before installing or servicing this heater. For assistance or additional information consult a qualified installer, service agency, or gas supplier.
- ⚠ WARNING:** When used without fresh air, heater may give off CARBON MONOXIDE, an odorless poisonous gas. OPEN WINDOW AN INCH OR TWO FOR FRESH AIR WHEN USING HEATER.
- ⚠ WARNING:** This heater is equipped with a PILOT LIGHT SAFETY SYSTEM. DO NOT TAMPER WITH PILOT LIGHT SAFETY SYSTEM.
- ⚠ WARNING:** If heater shuts off, do not relight until you provide fresh air. If heater keeps shutting off, have it serviced. Keep burner and control clean. Open door for 5 minutes. Maintain clearances as shown in Figure 2 or on heater nameplate.
- DO NOT USE MATCH OR OTHER FLAME FOR LEAK TESTING.
 - DO NOT EXCEED 1/2 PSI INLET PRESSURE TO HEATER.

Fuels used in liquefied propane gas appliances, and the products of combustion of such fuel, can expose you to chemicals including benzene, which is known to the state of California to cause cancer and cause birth defects or other reproductive harm, for more information go to www.P65Warnings.ca.gov

TABLE OF CONTENTS

Chapter	Title	Page
1	Introduction.....	E3
2	Heater Installation.....	E5
3	Heater Operating Instructions	E10
4	Operator Maintenance Instructions	E12
5	Replacement Parts List	E15

LANGUAGES

ENGLISH

Pages E1 - E16

SPANISH

Pages S1 - S16

FRENCH

Pages F1 - F16

DANGER: Carbon monoxide poisoning may lead to death.

Carbon Monoxide Poisoning:

Early signs of carbon monoxide poisoning resemble the flu, with headaches, dizziness, or nausea. If you have these signs, the heater may not be working properly. Get fresh air at once! Have heater serviced. Some people are more affected by carbon monoxide than others. These include pregnant women, persons with heart or lung disease or anemia, those under the influence of alcohol, and those at high altitudes.

CAUTION

- Never connect gas valve or thermostat to line voltage or a transformer.
- If the infra-red color of the grid becomes dull when the building furnace is operating, consult gas supplier on correct gas supply piping sizes.
- This heater is for indoor installation only!

NOTE

Gasket binder material used in this heater assembly will temporarily emit an odor and/or vapor. This condition will clear up in approximately 20 minutes and thereafter will not reoccur. Refer to Chapter 2 for ventilation.

WARNING:

⚠ THIS PRODUCT CAN EXPOSE YOU TO CHEMICALS INCLUDING LEAD AND LEAD COMPOUNDS, WHICH ARE KNOWN TO THE STATE OF CALIFORNIA TO CAUSE CANCER AND BIRTH DEFECTS OR OTHER REPRODUCTIVE HARM. FOR MORE INFORMATION VISIT WWW.P65WARNINGS.CA.GOV

GENERAL INFORMATION

RETAIN THIS MANUAL FOR FUTURE REFERENCE. FOR QUESTIONS, PROBLEMS, MISSING PARTS BEFORE RETURNING TO RETAILER PLEASE CALL WITH MODEL NUMBER AND SERIAL NUMBER OF HEATER:

1 - (866) 447 - 2194

MONDAY-FRIDAY 8-5 EASTERN TIME

OR CONTACT US USING THE HEATSTAR WEBSITE:

WWW.HEATSTARBYENERCO.COM

In order to provide the best service possible Heatstar is now giving you more ways to get in touch with us. Find informational videos at:

 Youtube: youtube.com/heatstarTV

CHAPTER 1

INTRODUCTION

1. EQUIPMENT

This heater is the consumer version of our highly successful, thoroughly tested, gas fired, infrared, industrial utility heater.

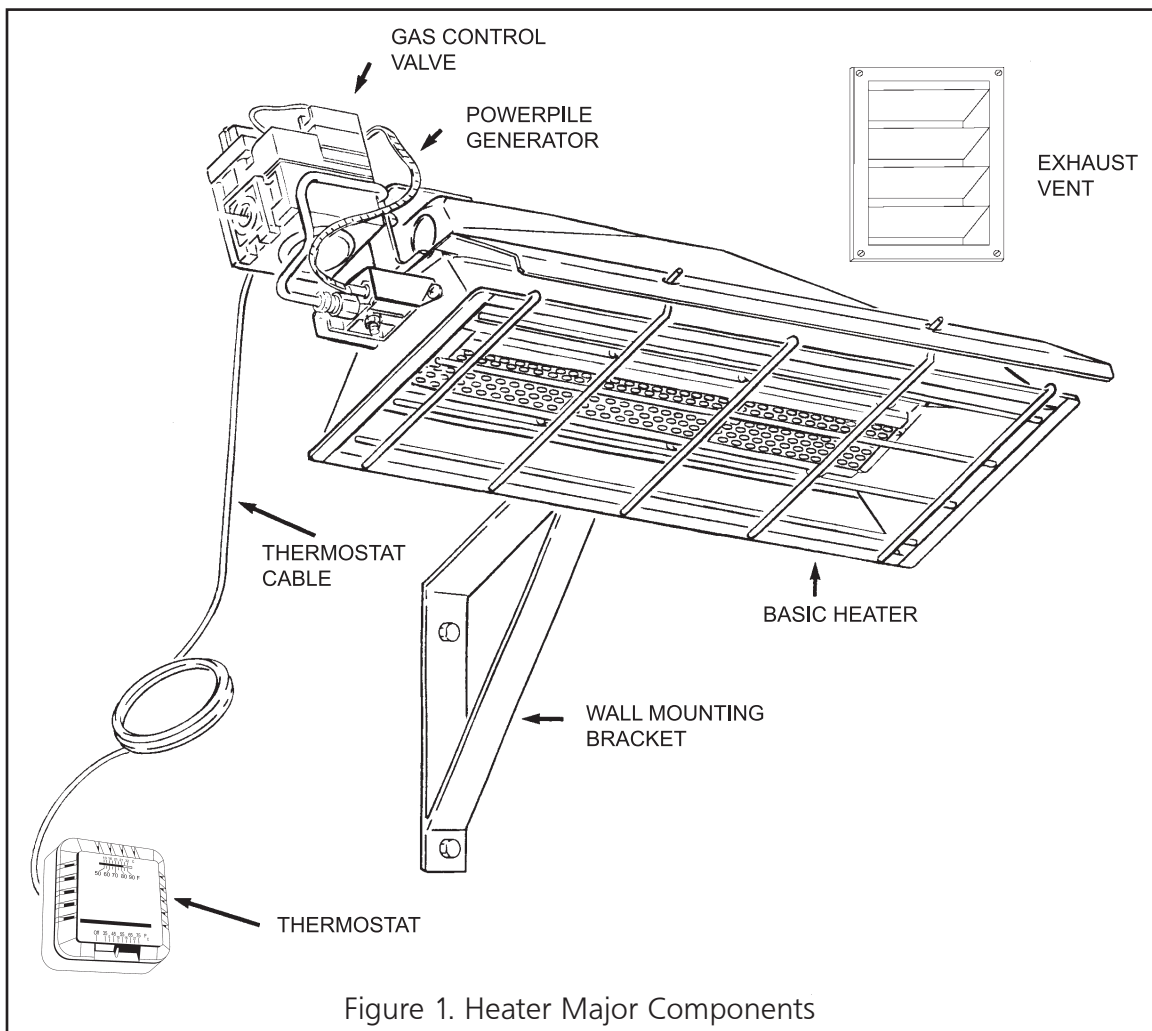
This heater does not require an external electrical source for operation.

The major components of the heater and a typical installation are identified in Figure 1. The basic heater consists of the complete burner assembly, flue deflector, grid, reflector assembly and face guard.

2. PURPOSE OF EQUIPMENT

WARNING:

⚠ This heater is for indoor installation only. Not for use in residential dwellings. NOTE: A residential dwelling is a domicile intended for use by one or more persons and that includes one or more areas, such as those used for cooking, eating, living, sleeping, or a sanitary facility. A residential dwelling does not include an attached and detached garage, workshop, or outdoors.



3. GENERAL INFORMATION

- Your heater comes fully assembled and is tested at the factory with the appropriate type of gas and at the input pressures stated on the nameplate.
- Upon receipt and prior to attempting installation, be sure to inspect the heater and its packaging for damage and/or missing components. If damage is found or missing components are suspected, contact your dealer. See Chapter 5 for a complete listing of items required for the safe and efficient installation and use of this heater.
- Never attempt to operate the heater using a fuel other than that specifically identified on the nameplate.
- The installation of the heater must conform with all local building codes or, in absence of governing local codes, with the National Fuel Gas Code, ANSI Z223.1 (NFPA 54). This code can be obtained from either the Canadian Standards Association, 8501 East Pleasant Valley Road, Cleveland, OH 44131; or, NFPA, Battery March Park, Quincy, MA 02269.
- Canadian installations must comply with CAN/CGA-B149.1.2 gas code which can be purchased from Canadian Gas Association, 55 Scarsdale Road, Don Mills, Ontario M3B 2R3.
- A plugged 1/8" N.P.T. Test Gage Connection is provided on the heater gas control.

• See Tables 1 and 2 for heater specifications:

⚠ WARNING: Improper installation, adjustment, alteration, service or maintenance can cause property damage, injury or death. Read the installation, operation, and maintenance instructions thoroughly before installing or servicing this heater. For assistance or additional information consult a qualified installer, service agency, or gas supplier.

- For additional information contact Heatstar Toll-Free 866-447-2194—www.heatstarbyenerco.com

The following extra NFPA Manuals are helpful when installing this heater in a location not anticipated in this manual:

Number	Related Subject
NFPA 88	Clearances to Combustible Surfaces
NFPA 409	Clearances to Combustible Surfaces

⚠ DO NOT EXCEED 1/2 PSI INLET PRESSURE TO HEATER

Provide adequate clearance to combustibles per Table 3 at control end of heater for servicing and minimum on top and sides for ventilation and combustion air supply.

A minimum clearance of 8' above floor for public garages in accordance with NFPA No. 88 most recent edition, or Figure 1; whichever is larger.

Canadian installations in public garages must comply with CGA 149B.1.9 most recent edition.

⚠ WARNING: Maintain clearances as shown in Figure 2 or on heater nameplate.

Table 1. BTU Ratings and Supply Pressures

MODEL NO.	BTU/HR. RATING		GAS SUPPLY PRESSURE (W.C.)					
	GAS		MIN.		MAX.		MANIFOLD	
	NATURAL (NAT.)	PROPANE (L.P.)	NAT.	L.P.	NAT.	L.P.	NAT.	L.P.
HS25NG	25,000	-	7.0"	-	14"	-	6"	-
HS22LP	-	22,000	-	11"	-	14"	-	10"

Table 2. Heater Dimensions and Orifice Sizes

MODEL NO.	OPERATING PRESSURE	ORIFICE SIZE		INPUT BTU/H	SIZE			
		BURNER	PILOT		WIDTH	LENGTH	HEIGHT	WEIGHT
HS25NG	6.0" W.C.	45	0.016	25,000	12-1/4"	29-3/4"	7"	20 lb.
HS22LP	10" W.C.	55	0.012	22,000	12-1/4"	29-3/4"	7"	20 lb.

CHAPTER 2

HEATER INSTALLATION

1. GENERAL INSTALLATION INFORMATION AND REQUIREMENTS

- The required minimum clearances to combustibles are illustrated in Figure 2 and Table 3. As shown on Figure 2, the front of the heater is installed at the minimum required clearance to combustibles and toward open space, and then the other sides must have a minimum clearance of 16 inches to combustibles.
- Installation of this appliance above 2,000 ft (610 m) shall be in accordance with local codes, or in the absence of local codes, the National Fuel Gas Code, ANSI Z223.1 / NFPA 54 or National Standard of Canada, Natural Gas and Propane Installation Code, CSA B149.1.

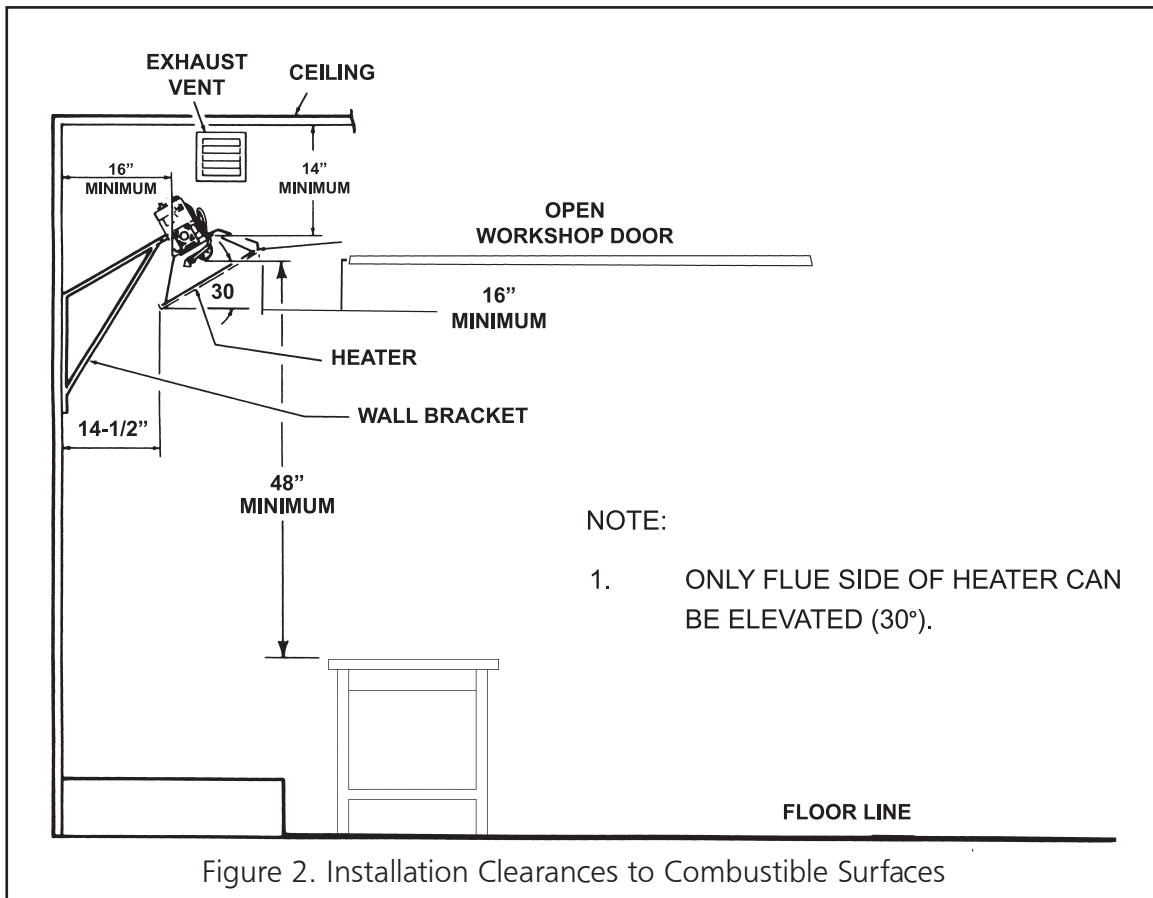


Table 3. Installation, Ventilation and Mounting Information							
MODEL NO.	BTU/HR. RATING		NORMAL MOUNTING POSITION	CLEARANCES TO COMBUSTIBLE SURFACES			
	GAS			TOP	SIDES	BACK	BELOW
	(NAT.)	(L.P.)					
HS25NG	25,000	-	30°	14"	16"	16"	48"
HS22LP	-	22,000	30°	14"	16"	16"	48"

- This heater may be mounted on any wall; however, it is recommended that the heater be mounted in the middle of the wall opposite any overhead doors.
- When selecting installation locations for this heater ensure that the opening of any exterior or interior doors or windows will not violate minimum clearances or contact any heater components.
- If an overhead door is installed in the building, verify that the heater is not installed in such a way as to interfere with door operation and verify that the door in its open position will not reduce clearances below the minimum requirements. Never mount the heater in such a way that would position the heater above an opened overhead door.
- Ensure that no gas lines or electrical wiring or conduits will interfere with mounting of the heater to the wall.
- Depending on local codes and requirements and the installer's skill level, the sizing and installation of gas lines required to supply the heater may require the assistance of a professional. If in doubt as to these requirements, discuss the requirements of this manual with the dealer from whom the heater was purchased and your gas supplier, or call our customer service department at 1-866-447-2194. The selection of the thermostat mounting location is critical to efficient and effective heater operation.
- In most cases the infiltration around your uninsulated entry doors and windows will provide enough air flow for efficient heater operation.

1.1 Fresh Air for Combustion and Ventilation

Unrestricted air flow during heater operation is essential to prevent the area above the installed heater from overheating. If your workshop/utility building is tightly insulated (including windows, doors, openings, etc.) the following ventilating methods must be followed:

- A single exhaust vent is supplied with your heater for your convenience. This vent must be located above the heater (preferably at the highest point in the building interior) and it must vent to the exterior of the building. An additional vent is available from the factory for those having a finished workshop or utility building.
- An intake vent, or equivalent, from the exterior of the building and having an effective area of 75 square inches must be located below the heater (preferably within 2 feet of the building's floor).
- Openings equivalent to intake vent would be: partially open doors and partially open windows.
- Openings of this size (5 inch by 13 inch, or 3 inch by 25 inch) will prevent dangerous heat buildup above the heater.

1.2 Thermostat Guidelines

- The thermostat should be mounted about 5 feet above the floor where air can circulate freely around it.
- The thermostat should not be mounted directly to a cold exterior wall without an insulated mounting block.
- The thermostat should not be mounted in direct drafts.
- The thermostat should not be mounted directly below the installed the heater.
- The thermostat should not be installed at a distance that is farther from the heater than the length of the thermostat cable.

2. HEATER MOUNTING INSTRUCTIONS

After selecting the heater installation location and the thermostat location and after verifying and ensuring that all of the above placement requirements are fulfilled, mount the heater as follows:

- A. Determine how you wish to install the vent based on the construction of the building and your personal preference. (i.e., do you wish the flanged (finished) side on the interior or the exterior of the building or do you want two vents so that both exterior and interior will be finished?) If needed, order an additional vent from the factory. Our address and toll free phone number are on the rear cover of this manual. Install the vent as follows:
 1. See Figure 3 for dimensions and information on the vent.
 2. Select a place as high above the heater as possible in accordance with the above requirements and ensure that the vent or vents will not contact or interfere with existing building systems (i.e., ducts, wiring, plumbing, etc.)
 3. Place the unfinished side of the vent against the wall in its elected location and trace its dimensions on the wall with a pencil or other suitable marker.
 4. Cut or otherwise open a hole in the wall, or walls for finished buildings, having the dimensions of the unfinished side of the vent.
 5. Install the vent or vents as desired and retain with 4 suitable fasteners through the predrilled holes in vent flange.
- B. Prepare to install the heater wall mounting bracket as follows:
 1. If the wall mounting bracket is to be attached to a stud and wallboard wall, refer to Figure 3 for dimensions, locate a stud, and drill two 1/8" pilot holes into the stud centerline. Use template

for simplified installation.

2. If the wall mounting bracket is to be attached to a brick or masonry wall, refer to Figure 3 for dimensions. Obtain two 1/4 inch (inside diameter) expansion anchors and determine the correct drill size to be used with them. Drill the appropriate size holes in the brick or masonry to accept the anchors.
- C. Place the wall mounting bracket on the wall and align the two through holes on the bracket with the pilot holes or anchors. Install 1/4 inch by 2-1/2 inch lag screws through the bracket into the stud or anchors. Tighten securely.
- D. Locate heater mounting clip on back of heater and select the 1/4" – 20 by 3/4" hex head bolt and 1/4" – 20 hex nut.
- E. Position the heater as shown in Figure 3 and slide the heater mounting clip over the bracket and install the bolt through the clip and bracket.
- F. Thread the hex nut onto the bolt and tighten securely.
- G. Ensure that the selected thermostat location meets all of the above requirements. Refer to the instructions that come with the thermostat for additional grounding information and mounting instruction.
- H. If the wall is of stud and wallboard construction, then use the #6 by 1 inch sheet metal screws, included with the thermostat, and mount the thermostat in the selected location.
- I. If wall is brick or masonry, the appropriate anchors must be obtained to accommodate thermostat mounting screws. Use the back plate of the thermostat as a template to mark the hole locations, drill appropriate size anchor holes, install the anchors, securely attach the thermostat using the mounting screws.
- J. Connect thermostat wires to gas valve as shown in Figure 4.

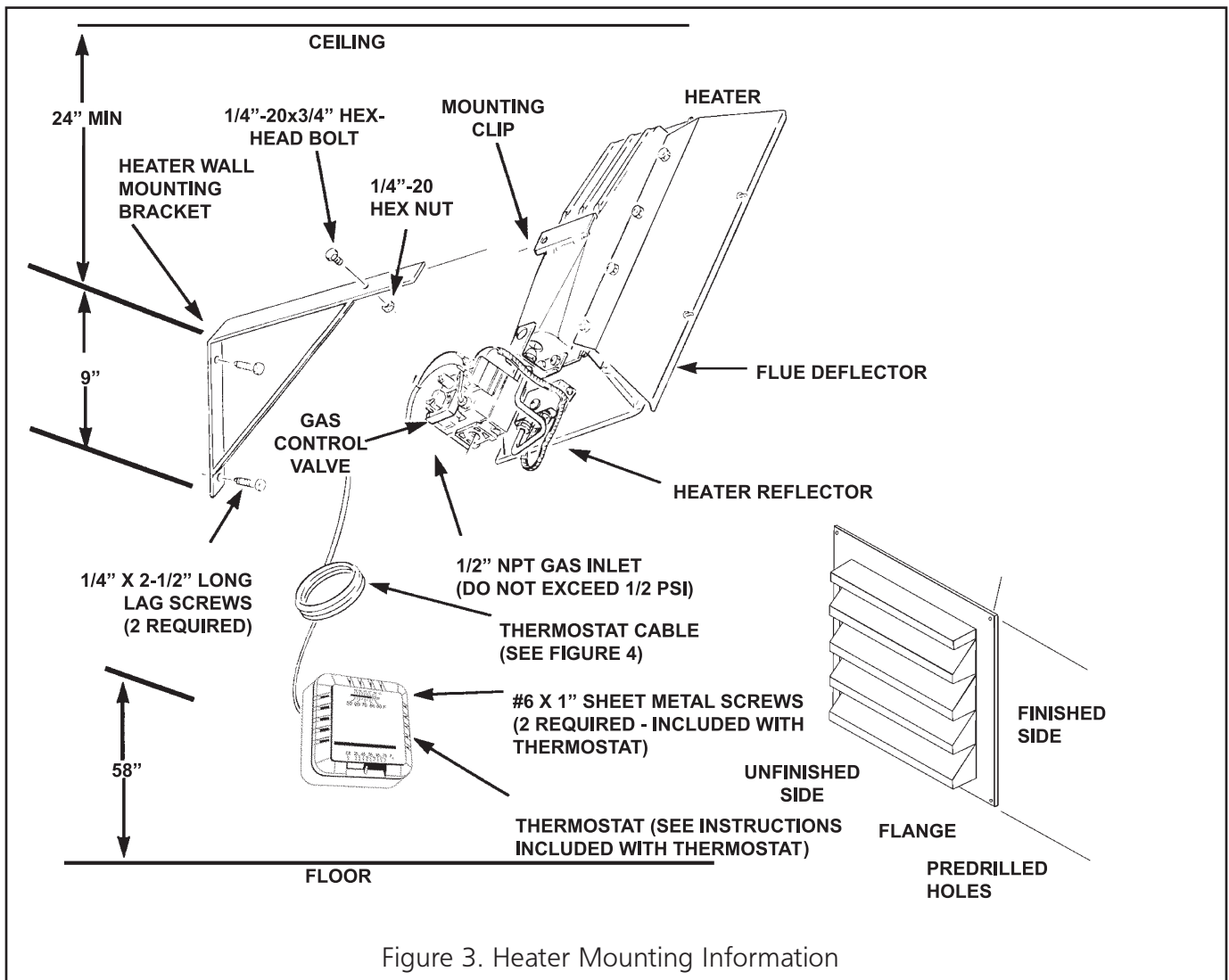


Figure 3. Heater Mounting Information

CAUTION:
Never connect powerpile gas valve or thermostat to line voltage or a transformer

WIRE SIZES	MAXIMUM LENGTH 2 WIRE CABLE
NO. 18	15 FEET
NO. 16	30 FEET
NO. 14	50 FEET

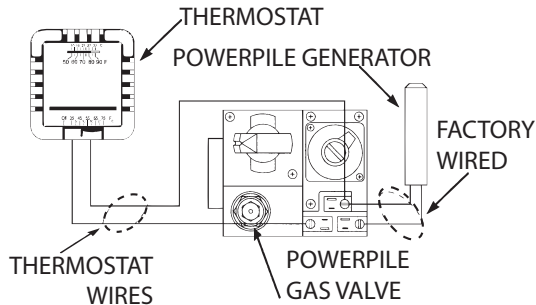


Figure 4. Connection Diagram

Refer to National Electrical Code - ANSI/NFPA 70 (USA) and for Canadian installations CSA C22.1 Canadian Electrical Code, Part 1

3. CONNECTING HEATER TO GAS SUPPLY

⚠ WARNING: Depending on local codes and requirements and the installer's skill level, the sizing and installation of gas lines required to safely and efficiently supply the heater may require the assistance of a professional. If in doubt as to these requirements, discuss the requirements of this manual with the dealer from whom the heater was purchased and your gas supplier.

3.1 Gas Supply Requirements

Natural Gas

- See Tables 1 and 2 for gas supply minimum, maximum, operating, and manifold pressures for both heater models. Pressures are provided in inches of W.C. (water column). Also, see heater rating plates located on the heater.
- Most non-commercial natural gas services provide a line pressure of 4 oz. (6.9 in. W.C.). If in doubt consult your natural gas supplier.
- To ensure the best performance from your natural gas heater make sure the supply manifold pressure is at least 6" W.C.

⚠ WARNING: Model HS25NG is designed to burn natural gas and it comes equipped with a regulator. The regulator is built into the gas valve. The maximum inlet pressure to this regulator is 1/2 psi (14 in. W.C.) If gas line pressure exceeds 1/2 psi, then an additional regulator must be installed before the heater/regulator to step down the pressure to a maximum of 1/2 psi.

Propane Gas

- To ensure the best performance from your LP gas heater, make sure the supply manifold pressure is at least 1/2 psi (14 in W.C.).

⚠ WARNING: Model HS22LP is designed to burn liquefied petroleum (LP) gas and it comes equipped with a regulator. The regulator is built into the gas valve. The maximum inlet pressure to this regulator is 1/2 psi (14 in. W.C.). If gas line pressure exceeds 1/2 psi, then an additional regulator must be installed before the heater/regulator to step down the pressure to a maximum of 1/2 psi.

3.2 Piping Requirements

All piping installed must comply with local codes and ordinances or with National Fuel Gas Code, ANSI Z223.1 (NFPA 54), whichever takes precedence. When installing piping, the following requirements must be taken into consideration: Canadian installations must comply with the B149.1.2 Gas Code.

- Use new properly reamed black pipe free from chips.
- Apply a good quality pipe compound to all male threads as shown in Figure 5 prior to assembly. If LP gas is the fuel, ensure that pipe compound is resistant to LP gas. Do not use Teflon™ tape.

USE MODERATE AMOUNT OF PIPE DOPE

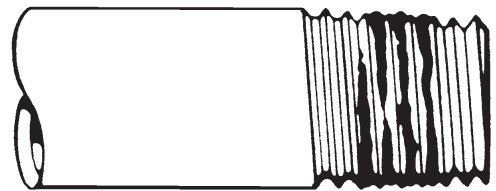


Figure 5. Pipe Compound Application

- Male threads on pipe to be installed into gas valve shall meet the requirements of Figure 6. Threads longer than those shown in the figure may cause gas valve distortion and malfunction.
- A sediment trap meeting the typical requirements of Figure 7 shall be installed in the line to the gas valve.
- A dedicated shutoff valve for the heater must be installed in the gas supply line.

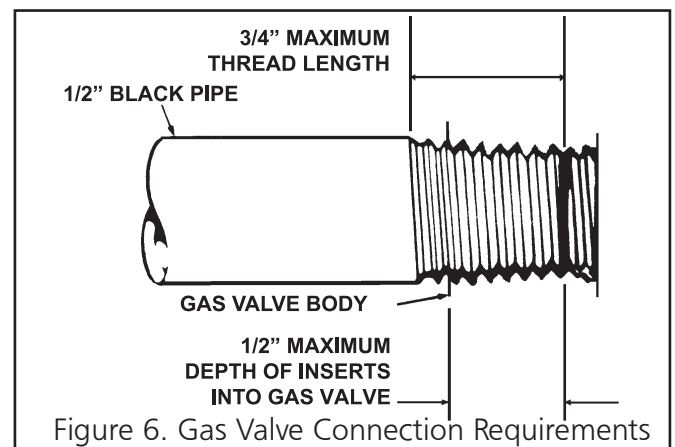


Figure 6. Gas Valve Connection Requirements

3.3 Piping INSTALLATION

While ensuring that all of the above gas supply requirements and piping requirements are fulfilled, install piping as follows:

- A. In accordance with the above piping requirements, assemble piping, sediment trap, shutoff valve, and necessary fittings. Tighten all components securely.

⚠ WARNING: Failure to ensure that male threads on pipe to be installed into gas valve meet the requirements of Figure 6 may cause gas valve damage, distortion and malfunction.

- B. Install a threaded nipple, prepared in accordance with paragraph 3.2 into gas valve.

- C. Connect gas piping to nipple installed in the gas valve.

⚠ WARNING: When testing gas piping use only a soap and water solution. Do not use a match or other flame for leak testing. If during leakage check gas is smelled, turn off the gas supply and ventilate building.

- D. Ensure the building is properly ventilated. Without lighting the pilot light of the heater, open the gas supply valve and pressurize the piping up to the heater's gas valve.

- E. Using a brush, apply a soap and water solution to all connections and look for bubbles indicating a leak. If a leak is detected, turn off gas supply and tighten connections. Retest and tighten connections.

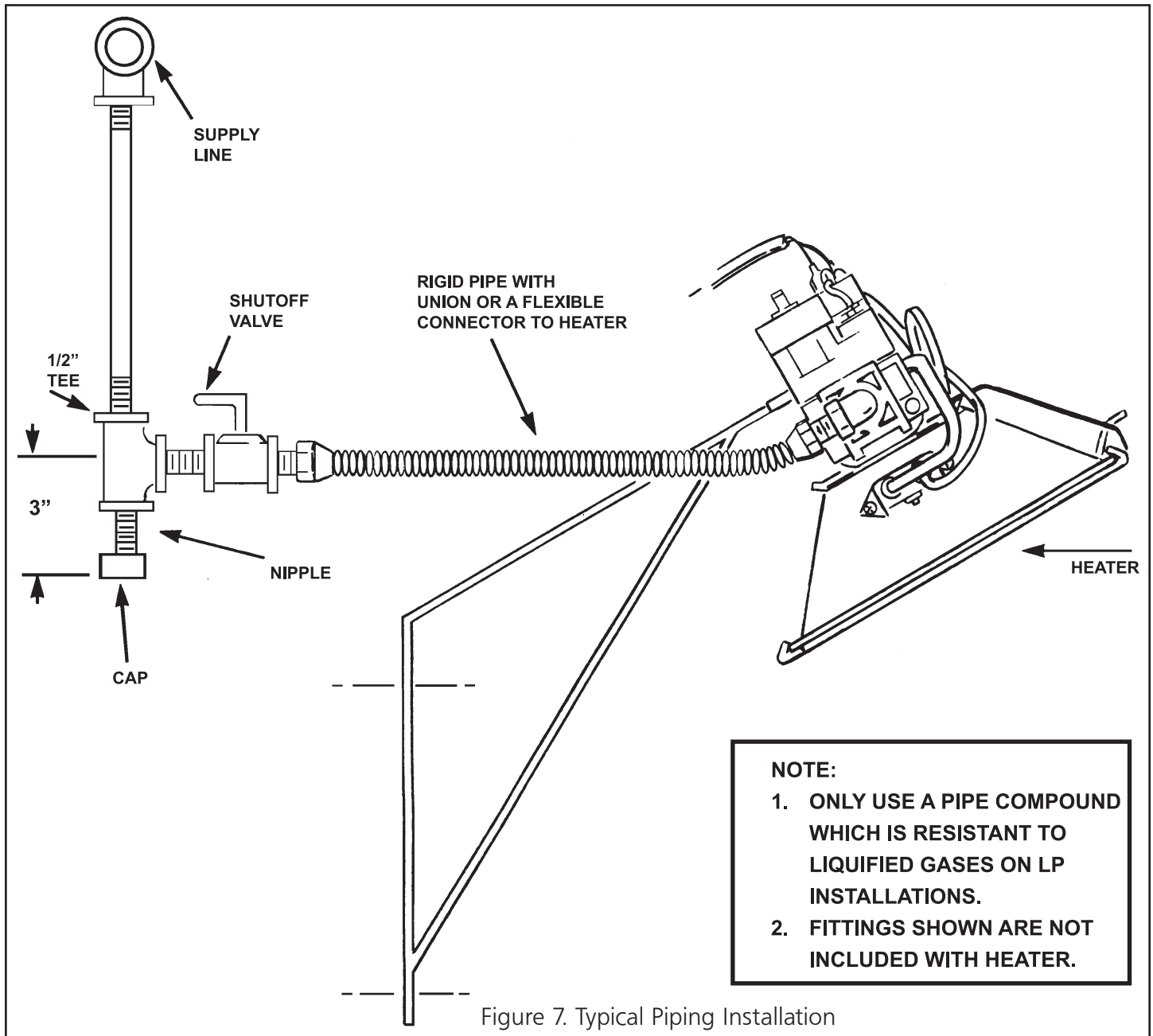


Figure 7. Typical Piping Installation

CHAPTER 3

OPERATING INSTRUCTIONS

1. OPERATING SAFETY INSTRUCTIONS

- ⚠ WARNING:** When used without fresh air, heater may give off CARBON MONOXIDE, an odorless poisonous gas. OPEN WINDOW AN INCH OR TWO FOR FRESH AIR WHEN USING HEATER.
- ⚠ WARNING:** This heater is equipped with a PILOT LIGHT SAFETY SYSTEM. DO NOT TAMPER WITH PILOT LIGHT SAFETY SYSTEM.
- ⚠ WARNING:** If heater shuts off, do not relight until you provide fresh air. Open door for 5 minutes. If heater keeps shutting off, have it serviced. Keep burner and control clean.
- ⚠ WARNING: CARBON MONOXIDE POISONING MAY LEAD TO DEATH.** Early signs of carbon monoxide poisoning resemble the flu with headache, dizziness and/or nausea. If you have these signs, heater may not be working properly. Get fresh air at once! Have heater serviced.
- ⚠ WARNING: DO NOT USE MATCH OR OTHER FLAME FOR LEAK TESTING.**

CAUTION: If the infra-red color of the grid becomes dull when the building furnace is operating, consult gas supplier on correct gas supply piping sizes.

CAUTION: This heater is for indoor installation only!

NOTE

Gasket binder material used in this heater assembly will temporarily emit an odor and/or vapor. This condition will clear up in approximately 20 minutes and thereafter will not reoccur. Refer to Chapter 2 for ventilation.

2. HEATER STARTUP

- ⚠ WARNING:** During heater startup ensure that building is well ventilated.

- A. Open the gas supply valve or valves.
- B. Set the thermostat to the OFF position. See Figure 8

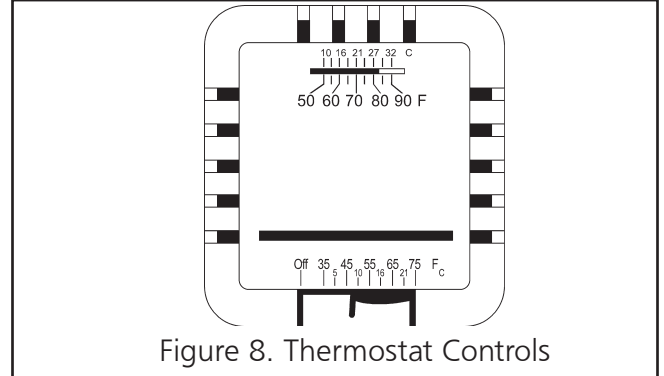


Figure 8. Thermostat Controls

- C. If the manual gas control knob on the gas valve is not in the OFF position, partially depress the knob and rotate to the OFF position. See Figure 9.
- D. Wait 5 minutes to allow gas that may have accumulated in the main burner to escape (especially important after installation).
- E. Turn the manual gas control knob to the PILOT position.

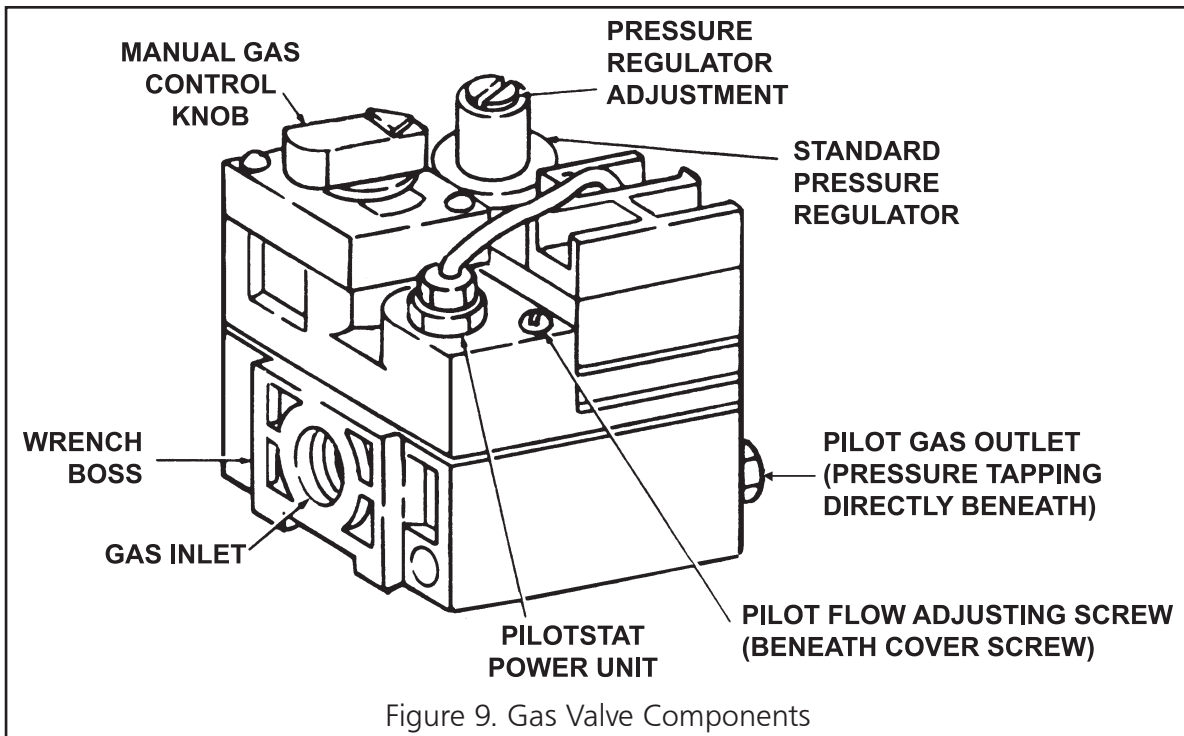


Figure 9. Gas Valve Components

- F. Depress the manual gas control knob. Using a match, light the pilot light. If lighting a heater with decorative grid kit use a long match to light the pilot through the grid. See Figure 10. Hold the knob down for approximately 30 seconds to allow any air in gas lines to pass through pilot and, once pilot is lit, allow the thermocouple to heat up enough to activate the safety valve in an open position.
- G. Release manual gas control knob and turn to ON.
- H. Reset thermostat to desired temperature.

NOTE

During the initial startup of heater, an odor and, perhaps, some vapor will come from the heater. This is the gasket binding material emitting this odor and/or vapor. After approximately 20 minutes, this odor will disappear and not occur again.

3. HEATER SHUTDOWN

- A. Turn thermostat to OFF.
- B. Turn manual gas control knob on gas valve to PILOT position.
- C. Partially depress knob and rotate to the OFF position.
- D. Close gas supply valves.

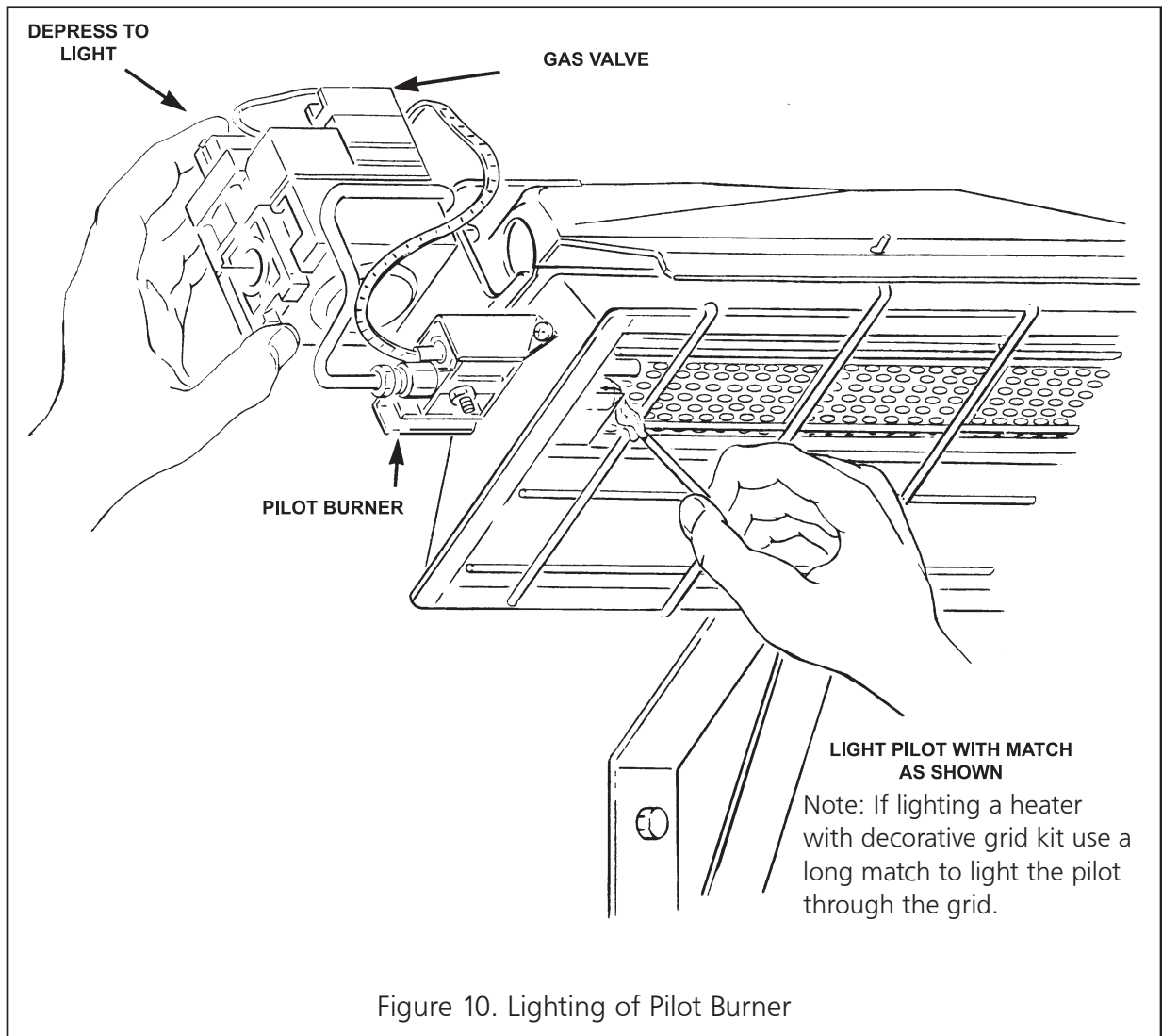


Figure 10. Lighting of Pilot Burner

CHAPTER 4



OPERATING MAINTENANCE INSTRUCTIONS

1. TROUBLESHOOTING

- A. Table 4 lists the common malfunctions which you may find during the operation or maintenance of your heater.
- B. In the event results cannot be obtained after performing all listed solutions, call the factory.

2. ADJUSTING THE PILOT FLAME

The pilot flame should envelop 3/8 to 1/2 in. (10 to 13 mm) of the tip of the thermocouple or generator. Refer to Figure 11. To adjust:

- A. Remove pilot adjustment cover screw. Refer to Figure 12.
- B. Turn inner adjustment screw clockwise  to decrease or counterclockwise  to increase pilot flame.
- C. Always replace cover screw after adjustment and tighten firmly to ensure proper operation.

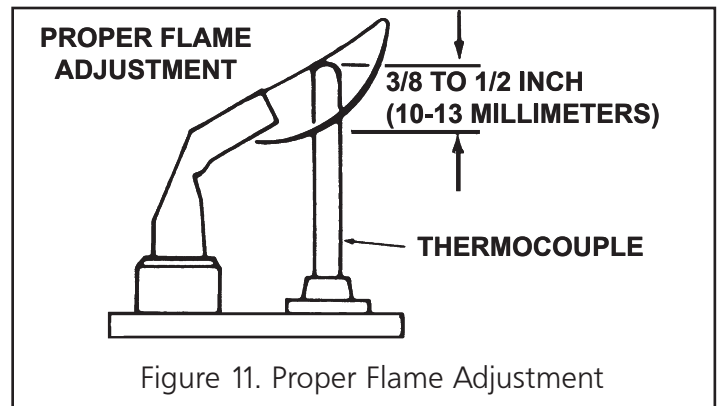


Figure 11. Proper Flame Adjustment

3. REPLACING THE GAS VALVE UNIT

- A. Remove the two gas valve unit wires at the gas control valve labeled "PP".
- B. Unscrew gas valve from gas piping.
- C. Reconnect gas valve and unit wires to terminals "PP". Be sure to leave thermostat wire on one terminal.

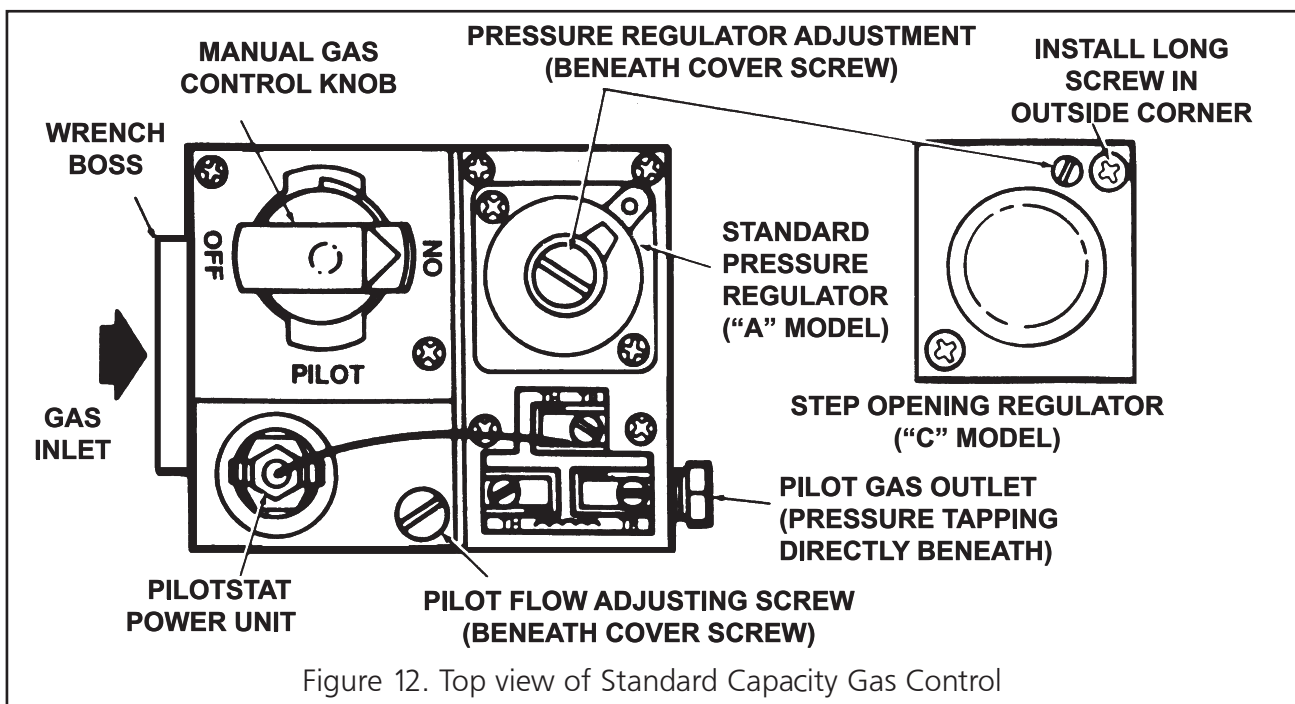


Figure 12. Top view of Standard Capacity Gas Control

4. FREQUENCY OF OPERATOR CHECKS

Intermittent use.

Appliances that are used seasonally should be checked before shutdown and again before the next use.

Dusty, wet or corrosive environment.

Since these environments can cause the gas control to deteriorate more rapidly, the system should be checked more often. The gas control should be replaced if:

- A. It does not perform properly on checkout or trouble shooting.
- B. The gas control knob is hard to turn or push down, or it fails to pop back up when released.

Table 4. Troubleshooting Chart

Below in chart form are various symptoms of a malfunctioning system, possible defects that will cause these symptoms and suggested corrective measures. The chart assumes that the proper gas pressure is available to the heater and that the lighting procedure is as stated on the plate attached to the heater.

SYMPTOMS	CAUSES	SOLUTIONS
Burner light off very slow	Partially block pilot orifice	Replace
	Pilot out of adjustment	Re-adjust pilot
Burner light off very slow and infra-red color stays dull	Partially blocked burner orifice	Replace
Burner flash back (roaring noise during operation and ceramic grid surface will be dark)	Low gas pressure	Call your gas supplier
	Damaged burner	Replace
Ceramic grid or burner sooting up (when new or after cleaning)	First check for damaged burner orifice	Replace if damaged
	If burner orifice is not damaged then check for damaged manifold	Replace
Pilot cannot be ignited	Blocked pilot orifice	Replace
	Gas knob not in position	Gas knob must be turned to pilot and held depressed
	Pilot gas flow adjustment screw may be closed	Open and adjust (see Figure 12)
Pilot lights, but goes out	Defective thermocouple	Replace
	Defective control	Replace
Pilot stays lit but main burner will not light	Loose wire or improperly wired	Tighten connections, check wiring diagram
	Defective control	Replace
	Blocked burner orifice	Clean orifice or replace
Failure to ignite	Main gas off	Open manual valves
	Air in gas line	Bleed gas line
	Loose wire connections	Tighten wire connections
	Dirty wire connections	Clean terminals and secure terminals

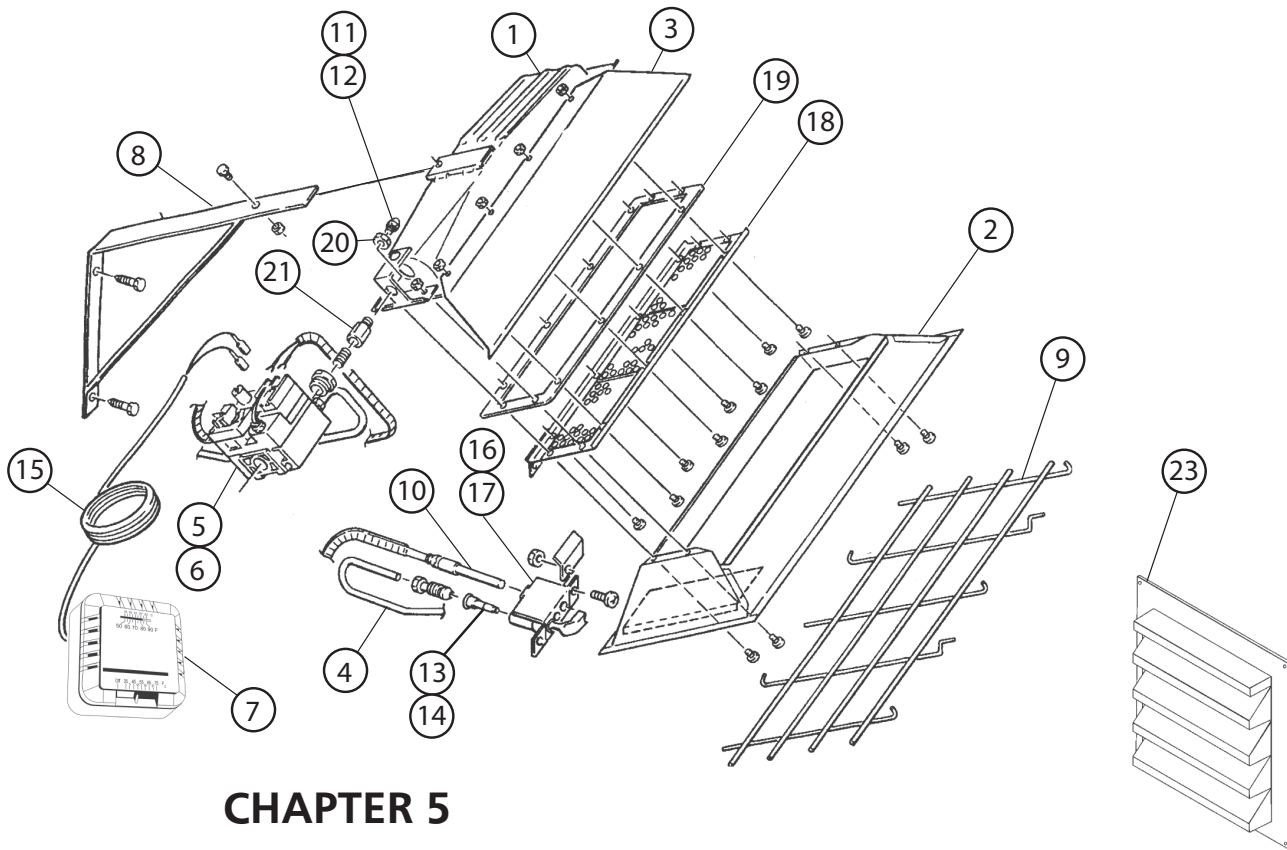
IF SERVICE IS REQUIRED

PLEASE DO NOT RETURN THIS APPLIANCE TO YOUR STORE

For information regarding service, please call our Toll-Free Number:
1-800-251-0001.

Our office hours are 8:30 AM – 5:00 PM, Eastern Time Zone
Monday through Friday.

Please include the model number, date of purchase, and description of
problem in all communication.



CHAPTER 5 REPLACEMENT PARTS LIST

ITEM NO.	PART NUM.	DESCRIPTION
1	02529A	Burner Assembly Complete
2	00377A	Reflector Assembly
3	01357	Flue Deflector
4	16451	Pilot Tube
5	00024	Gas Valve for Natural Gas
6	00025	Gas Valve for Propane Gas
7	10367	Thermostat
8	14405	Wall Mounting Bracket
9	04432	Face Guard
10	09360	Thermocouple/Generator
11	05447	Orifice-Burner for Natural-Gas
12	05455	Orifice-Burner for Propane Gas
13	05576	Orifice-Pilot for Natural Gas

ITEM NO.	PART NUM.	DESCRIPTION
14	05573	Orifice-Pilot for Propane Gas
15	10358	Thermostat Cable
16	11406	Pilot Burner N/G
17	11405	Pilot Burner L/P
18	04435A	Grid Replacement
19	12369	Gasket
20	05354	Jamb Nut
21	05351	Connector
22	98593	3/8" Close Nipple
23	19014	Intake Louver

OPTIONAL CONVERSION KITS	
STOCK NO.	DESCRIPTION
F200293	NG TO LP CONVERSION
F200294	LP TO NG CONVERSION

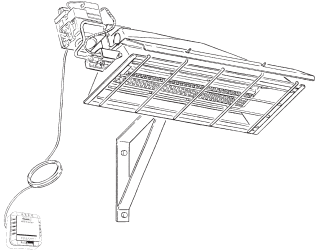
ALL WARRANTY CLAIMS REQUIRE PROOF OF PURCHASE



OPERATING INSTRUCTIONS AND OWNER'S MANUAL

MODEL #
HS25NG
HS22LP

READ INSTRUCTIONS CAREFULLY: YOUR SAFETY IS IMPORTANT TO YOU AND TO OTHERS. Read and follow all instructions. Place instructions in a safe place for future reference. Do not allow anyone who has not read these instructions to assemble, light, adjust or operate the heater.



WARNING:

USE ONLY MANUFACTURER'S REPLACEMENT PARTS. USE OF ANY OTHER PARTS COULD CAUSE INJURY OR DEATH. REPLACEMENT PARTS ARE ONLY AVAILABLE DIRECT FROM THE FACTORY AND MUST BE INSTALLED BY A QUALIFIED SERVICE AGENCY.

FOR INFORMATION REGARDING SERVICE OR PARTS:

Contact your local heating service technician or dealer.

FOR ADDITIONAL INFORMATION:

Please call Toll-Free 866-447-2194—www.heatstarbyenerco.com

Our office hours are 8:00 AM — 5:00 PM, EST, Monday through Friday. Please have the model number, serial number and date of purchase ready.

LIMITED WARRANTY

The company warrants this product to be free from imperfections in material or workmanship, under normal and proper use in accordance with instructions of The Company, for a period of one year from the date of delivery to the buyer. The Company, at its option, will repair or replace products returned by the buyer to the factory, transportation prepaid within said one year period and found by the Company to have imperfections in material or workmanship.

If a part is damaged or missing, call our Customer Service Department at 866-447-2194. Address any Warranty Claims to the Customer Service Department, HEATSTAR, 4560 W. 160TH ST., CLEVELAND, OHIO 44135. Include your name, address and telephone number and include details concerning the claim. Also, supply us with the purchase date and the name and address of the dealer from whom you purchased our product.

The foregoing is the full extent of the responsibility of the Company. There are no other warranties, express or implied. Specifically there is no warranty of fitness for a particular purpose and there is no warranty of merchantability. In no event shall the Company be liable for delay caused by imperfections, for consequential damages, or for any charges of the expense of any nature incurred without its written consent. The cost of repair or replacement shall be the exclusive remedy for any breach of warranty. There is no warranty against infringement of the like and no implied warranty arising from course of dealing or usage of trade. This warranty will not apply to any product which has been repaired or altered outside of the factory in any respect which in our judgment affects its condition or operation. Some states do not allow the exclusion or limitation of incidental or consequential damages, so the above limitation or exclusion may not apply to you. This Warranty gives you specific legal rights, and you may have other rights which vary from state to state.

Enerco Group, Inc. reserves the right to make changes at any time, without notice or obligation, in colors, specifications, accessories, materials and models.

PRODUCT REGISTRATION: Thank you for your purchase.

Please log in to <http://www.egiregistration.com> to register your product.

HEATSTAR, 4560 W. 160TH ST., CLEVELAND, OHIO 44135 • 866-447-2194
HEATSTAR is a registered trademarks of Mr. Heater, Inc.

© 2018, Mr. Heater. All rights reserved



Instalador: deje este manual junto con el artefacto. Consumidor: conserve este manual para referencia futura.

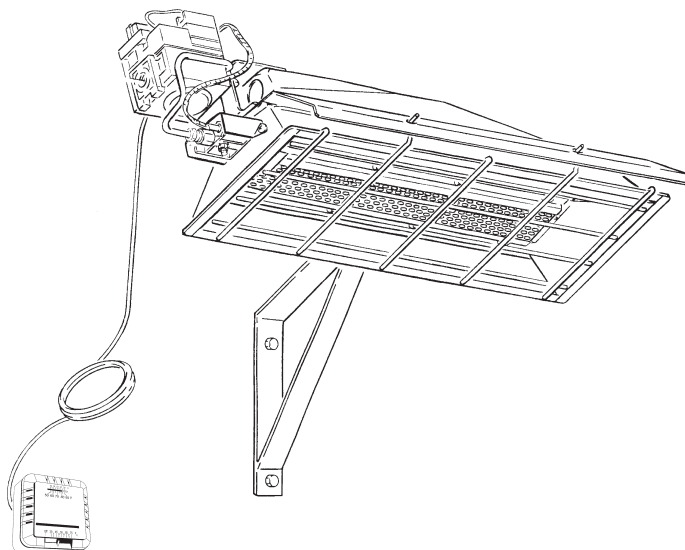


INSTRUCCIONES DE USO Y MANUAL DEL USUARIO

MODEL #
HS25NG
HS22LP

LEA CUIDADOSAMENTE LAS INSTRUCCIONES: SU SEGURIDAD ES IMPORTANTE PARA USTED Y PARA LOS DEMÁS. lea y siga todas las instrucciones. Conserve estas instrucciones en un lugar seguro para futura referencia. No permita que nadie que no haya leído estas instrucciones arme, encienda, ajuste o use el calentador.

CALENTADOR INFRARROJO A GAS PARA TALLER



No para uso en garajes residenciales en Canadá

⚠ ADVERTENCIA: Si no se sigue la información de este manual con exactitud, puede producirse un incendio o una explosión, y provocar daños a la propiedad, lesiones personales o la muerte.

- No almacene ni utilice gasolina ni otros vapores y líquidos inflamables en las proximidades de este artefacto ni de ningún otro artefacto.
- QUÉ HACER SI DETECTA OLOR A GAS
 - Corte el suministro de gas
 - No intente encender ningún artefacto
 - No toque ningún interruptor eléctrico; no use ningún teléfono del edificio.
 - Llame de inmediato al suministrador de gas desde el teléfono de un vecino. Siga las instrucciones del suministrador de gas.
 - Si no puede comunicarse con el suministrador de gas, llame al departamento de bomberos.
- La instalación y el mantenimiento deben ser realizados por un instalador calificado, una agencia de reparación calificada o el suministrador de gas.

⚠ ADVERTENCIA: Éste es un calentador a gas sin ventilación. Utiliza aire (oxígeno) de la habitación en la que se instala. Se debe proporcionar aire de ventilación y de combustión adecuado. Consulte la sección Aire fresco para la combustión y ventilación en la página 6 de este manual.

⚠ ADVERTENCIA: La instalación, ajuste, alteración, reparación o mantenimiento inadecuados puede causar daños materiales, lesiones o la muerte. Lea completamente las instrucciones de instalación, operación y mantenimiento antes de instalar o reparar este calentador. Por asistencia o información adicional, consulte con un instalador calificado, agencia de servicio o la compañía de gas.

ADVERTENCIAS:

⚠ ADVERTENCIA: La instalación, el ajuste, la alteración, la reparación o el mantenimiento indebidos pueden provocar daños, lesiones o la muerte. Antes de instalar o reparar este equipo, lea detenidamente las instrucciones de instalación, funcionamiento y mantenimiento. Para obtener ayuda o información adicional, consulte con un instalador calificado, una agencia de reparación calificada o el suministrador de gas.

⚠ ADVERTENCIA: Cuando el calentador se utiliza sin aire fresco, es posible que emane MONÓXIDO DE CARBONO, que es un gas tóxico e inodoro. CUANDO USE EL CALENTADOR, ABRA LA VENTANA UNA O DOS PULGADAS PARA QUE ENTRE AIRE FRESCO.

⚠ ADVERTENCIA: Este calentador tiene un SISTEMA DE SEGURIDAD CON LLAMA PILOTO. NO TOQUE EL SISTEMA DE SEGURIDAD CON LLAMA PILOTO.

⚠ ADVERTENCIA: Si el calentador se apaga, no vuelva a encenderlo hasta que ingrese aire fresco. Si continúa apagándose, hágalo reparar.

Mantenga limpios el quemador y el control. Abra la puerta durante cinco minutos. Mantenga los espacios libres que se indican en la Figura 2 o en la placa del calentador.

- PARA COMPROBAR SI EXISTEN FUGAS DE GAS, NO USE FÓSFOROS U OTRO TIPO DE LLAMA.
- NO SUPERE LA PRESIÓN DE ENTRADA DE 3,45 KPA (1/2 PSI) AL CALENTADOR.

Los combustibles usados en equipos para licuar gas propano, así como los productos de su combustión, pueden exponerte a sustancias químicas, entre ellas el benceno, que el estado de California reconoce como causa de cáncer y de malformaciones congénitas y otros daños al sistema reproductor. Para más información, www.P65Warnings.ca.gov

ÍNDICE

Capítulo	Título	Página
1	Introducción	S3
2	Instalación del calentador	S5
3	Instrucciones de funcionamiento del calentador.....	S10
4	Instrucciones de mantenimiento para el operador	S12
5	Lista de repuestos.....	S15

IDIOMAS

INGLÉS

Páginas E1 - E16

ESPAÑOL

Páginas S1 - S16

FRANCÉS

Páginas F1 - F16

PELIGRO: La intoxicación por monóxido de carbono puede causar la muerte.

Intoxicación por monóxido de carbono:

Los síntomas tempranos de intoxicación por monóxido de carbono se asemejan a la gripe, con dolor de cabeza, mareos o náuseas. Si tiene estos síntomas, es posible que el calentador no esté funcionando correctamente. Tome aire fresco de inmediato. Haga reparar el calentador. Algunas personas se verán más afectadas por el monóxido de carbono que otras. Por ejemplo, mujeres embarazadas, personas con afecciones cardíacas o pulmonares, anemia, quienes se encuentren bajo la influencia del alcohol o en la altura.

AVISO

- Nunca conecte la válvula de gas o el termostato al voltaje de línea o a un transformador.
- Si el color infrarrojo de la parrilla se oscurece cuando la calefacción del edificio está en funcionamiento, consulte al suministrador de gas cuáles son los tamaños correctos de los conductos para el suministro de gas.
- ¡Este calentador sólo debe instalarse en interiores!

NOTA

El material fijador de las juntas que se utiliza en el ensamble de este calentador emitirá temporalmente un olor o vapor. Ese estado pasará en aproximadamente 20 minutos y no volverá a ocurrir en lo sucesivo. Consulte sobre ventilación en el Capítulo 2..

ADVERTENCIA:

⚠ Una de las sustancias que se desprende en la combustión al usar este equipo es el monóxido de carbono, un producto químico que de acuerdo con el estado de California produce cáncer y defectos de nacimiento (u otros daños reproductivos). Para más información, visite www.p65warnings.ca.gov

INFORMACIÓN GENERAL

CONSERVE ESTE MANUAL PARA FUTURAS REFERENCIAS. PARA PREGUNTAS, PROBLEMAS, PIEZAS FALTANTES ANTES DE REGRESAR AL MINORISTA, LLAME CON NÚMERO DE MODELO Y NÚMERO DE SERIE DE CALENTADOR:


1 - (800) - 251 - 0001

LUNES Y VIERNES 8-5 HORAS ORIENTALES

O CONTÁCTENOS USANDO EL HEATSTAR WEB DEL CALENTADOR:

WWW.HEATSTARBYENERCO.COM

Con el fin de brindar el mejor servicio posible, HEATSTAR le brinda más formas de comunicarse con nosotros:

 Youtube: youtube.com/heatstarTV

CAPÍTULO 1 INTRODUCCIÓN

1. EQUIPO

Este calentador es la versión comercial de un calentador industrial para empresas de servicio público altamente exitoso, ampliamente probado, infrarrojo y de funcionamiento a gas.

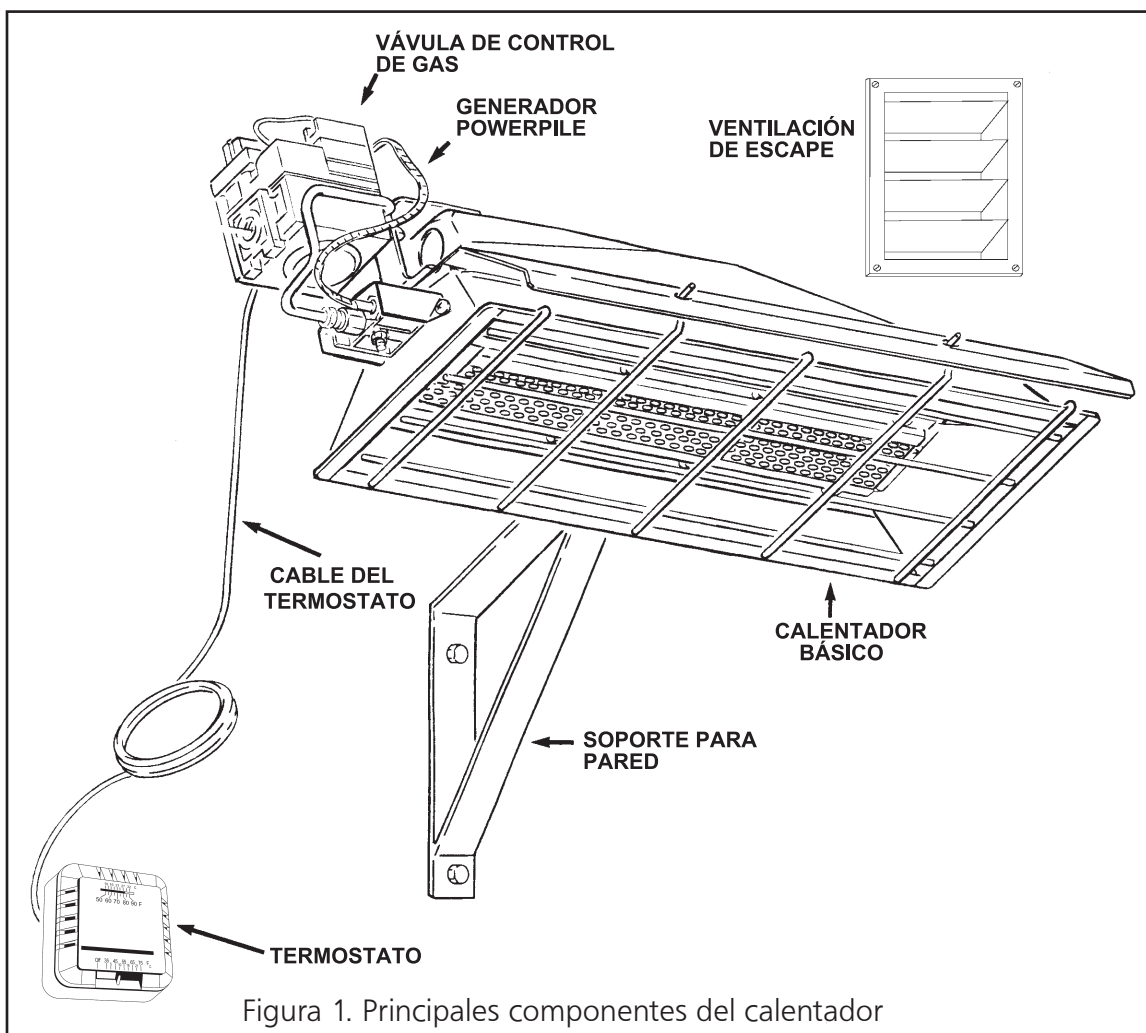
No requiere una fuente eléctrica externa para funcionar.

En la Figura 1 se indican los principales componentes del calentador y su instalación característica. El calentador básico está compuesto por el ensamble completo del quemador, un deflector de gas de combustión, una parrilla, el ensamble del reflector y un protector.

2. FINALIDAD DEL EQUIPO

ADVERTENCIAS:

⚠ Sôlo para instalaciôn en interiores. No para uso en viviendas residenciales. Nota: Una vivienda residencial es un domicilio destinado a ser utilizado por una o más personas y que incluye una o más áreas, como las que se usan para cocinar, comer, vivir, dormir o una instalación sanitaria. Una vivienda residencial no incluye un garaje y separado, un taller o el exterior.



3. INFORMACIÓN GENERAL

- El calentador viene de fábrica completamente ensamblado y ha sido probado con el tipo de gas adecuado y con las presiones de entrada que figuran en la placa.
- Al recibirlo y antes de instalarlo, asegúrese de inspeccionar el calentador y su embalaje para determinar si presentan daños o si faltan componentes. Si se detecta que ha sufrido daños o se sospecha que pueden faltar componentes, comuníquese con el vendedor. Consulte en el Capítulo 5 la lista completa de artículos necesarios para la instalación y el uso de este calentador con seguridad y eficiencia.
- Nunca intente hacer funcionar el calentador con un combustible que no sea el que se establece específicamente en la placa.
- La instalación del calentador debe cumplir con todos los códigos de construcción locales o, si no existieran códigos locales en vigencia, con el National Fuel Gas Code (Código Nacional de Gas Combustible), ANSI Z223.1 (Instituto Nacional Estadounidense de Estándares), (NFPA 54 [Asociación Nacional de Protección contra Incendios]). Este código se puede solicitar a: Canadian Standards Association, 8501 East Pleasant Valley Road, Cleveland, OH 44131; o a la NFPA, Battery March Park, Quincy, MA 02269.
- Las instalaciones que se realicen en Canadá deberán cumplir con el código de gas CAN/CGA-B149.1.2, que puede comprarse en la Canadian Gas Association (Asociación Canadiense de Estándares), 55 Scarsdale Road, Don Mills, Ontario M3B 2R3.
- Cuando el artefacto deba ser instalado a gran altura, comuníquese con la fábrica. La fábrica entrega un juego de conversión para gran altura con instrucciones y placa con fecha.
- Se provee la conexión de medición de prueba en un control de gas del calentador NPT de 0,31 cm (1/8") conectado.
- **Consulte las especificaciones del calentador en la Tabla 1 y 2:**

⚠ ADVERTENCIA: La instalación, el ajuste, la alteración, la reparación o el mantenimiento indebidos pueden provocar daños, lesiones o la muerte. Antes de instalar o reparar este equipo, lea detenidamente las instrucciones de instalación, funcionamiento y mantenimiento. Para obtener ayuda o información adicional, consulte con un instalador calificado, una agencia de reparación calificada o el suministrador de gas.

- Para obtener más información, comuníquese con: Mr. Heater Llame al número gratuito 866-447-2194 o visite www.heatstarbyenerco.com

Los siguientes manuales adicionales de la NFPA son útiles al momento de instalar este calentador en un lugar no previsto en este manual:

Número	Tema relacionado
NFPA 88	Espacios libres con respecto a superficies inflamables
NFPA 409	Espacios libres con respecto a superficies inflamables

⚠ NO SUPERE LA PRESIÓN DE ENTRADA DE 3,45 KPA (1/2 PSI) AL CALENTADOR

Asegúrese de que haya un espacio libre adecuado con respecto a los combustibles según lo establecido en la Tabla 3 en el extremo de control del calentador para realizar reparaciones, y un espacio mínimo arriba y en los lados para favorecer la ventilación y el suministro de aire para la combustión.

Un espacio libre mínimo de ocho pulgadas sobre el piso para los garajes públicos según la edición más actualizada de la norma n. 88 de la NFPA, o la Figura 1; el que sea más grande.

Las instalaciones en garajes públicos en Canadá deben cumplir con la edición más actualizada de la norma 149B.1.9 de la CGA.

⚠ ADVERTENCIA: Mantenga los espacios libres que se indican en la Figura 2 o en la placa del calentador.

Tabla 1. Índices en BTU y presiones de suministro

N. DE MODELO	ÍNDICE EN BTU/HR.		PRESIÓN DEL SUMINISTRO DE GAS (W.C.)					
	GAS		MÍN.		MÁX.		COLECTOR	
	NATURAL (NAT.)	PROPANE (L.P.)	NAT.	L.P.	NAT.	L.P.	NAT.	L.P.
HS25NG	25000	-	18 cm (7.0")	-	35,6 cm (14")	-	15,2 cm (6")	-
HS22LP	-	22000	-	28 cm (11")	-	35,6 cm (14")	-	25,4 cm (10")

Tabla 2. Dimensiones del calentador y tamaños de orificio

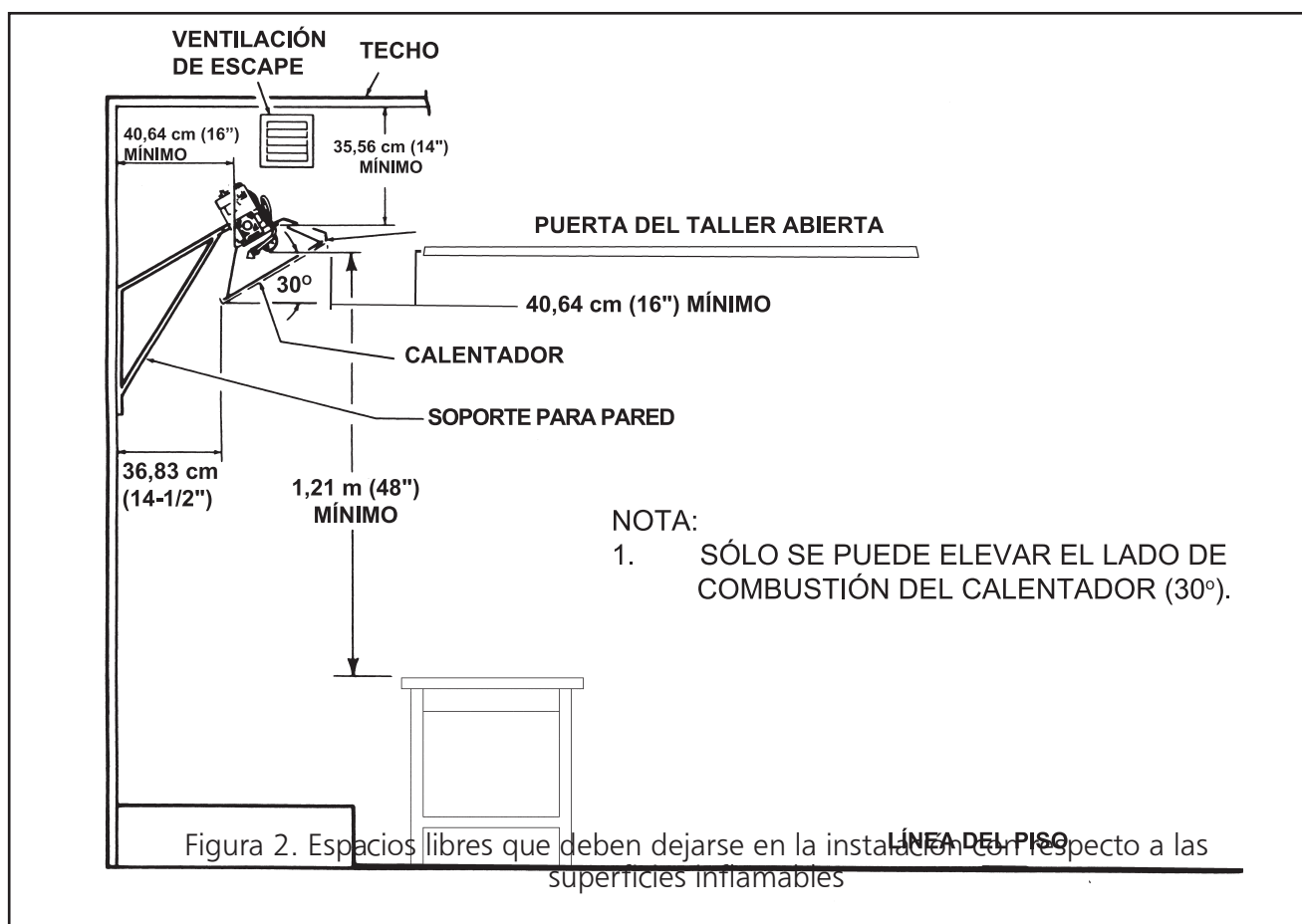
N. DE MODELO	PRESIÓN DE FUNCIONAMIENTO	TAMAÑO DEL ORIFICIO		POTENCIA BTU/HR.	DEL ORIFICIO			
		QUEMADOR	PILOTO		ANCHO	LONGITUD	ALTURA	PESO
HS25NG	6.0" W.C.	45	0.016	25000	31,11 cm (12-1/4")	75,56 cm (29-3/4")	17,78 cm (7")	9 kg (20 libras)
HS22LP	10" W.C.	55	0.012	22000	31,11 cm (12-1/4")	75,56 cm (29-3/4")	17,78 cm (7")	9 kg (20 libras)

CAPÍTULO 2

INSTALACIÓN DEL CALENTADOR

1. INFORMACIÓN Y REQUISITOS GENERALES DE INSTALACIÓN

- En la Figura 2 y en la Tabla 3 se ilustran los espacios libres mínimos que deben dejarse con respecto a las superficies inflamables. Como se observa en la Figura 2, la parte delantera del calentador se instala dejando el espacio libre mínimo obligatorio con respecto a las superficies inflamables y de cara al espacio abierto, mientras que los demás lados deben tener un espacio libre mínimo de 40,64 cm (16 pulgadas) con respecto a las superficies inflamables.
- La instalación de este aparato a altitudes superiores a 2,000 pies (610 m) se realizará de acuerdo con los códigos locales, o en ausencia de los códigos locales, el Código de gas combustible de la Nación, ANSI Z223.1 / NFPA 54 o la Norma nacional de Canadá, Gas natural y Código de Instalación de Propano, CSA B149.1.



NOTA:
1. SÓLO SE PUEDE ELEVAR EL LADO DE COMBUSTIÓN DEL CALENTADOR (30°).

Tabla 3. Información de instalación, ventilación y montaje

N.º DE MODELO.	INDICE EN BTU/HR. GAS		POSICIÓN NORMAL DE MONTAJE	ESPACIOS LIBRES CON RESPECTO A SUPERFICIES INFLAMABLES			
	NAT.	L.P.		ARRIBA	LADOS	ATRÁS	ABAJO
HS25NG	25000	-	30°	35,56 cm (14")	40,64 cm (16")	40,64 cm (16")	1,21 m (48")
HS22LP	-	22000	30°	35,56 cm (14")	40,64 cm (16")	40,64 cm (16")	1,21 m (48")

- Este calentador puede montarse sobre la pared. Sin embargo, se recomienda montarlo en la mitad de la pared opuesta a las puertas basculantes.
- Al elegir lugares de instalación para este calentador, asegúrese de que al abrir puertas o ventanas exteriores o interiores no se interfiera con los espacios libres mínimos ni se toquen los componentes del calentador.
- Si existe una puerta basculante en el edificio, verifique que el calentador no esté instalado de modo tal que interfiera con el funcionamiento de la puerta y verifique que la puerta en posición abierta no reduzca los espacios libres a una distancia inferior a la que establecen los requisitos mínimos. Nunca coloque el calentador en una posición por encima de una puerta basculante abierta.
- Asegúrese de que no haya líneas de gas o conductos o cables eléctricos que interfieran con el montaje del calentador en la pared.
- Según los códigos y requisitos locales y la capacidad del instalador, es posible que se requiera la ayuda de un profesional para determinar el tamaño e instalar las líneas de gas necesarias para suministrar gas al calentador. Si tiene dudas sobre estos requisitos, hable sobre los requisitos de este manual con el vendedor del calentador y con el suministrador de gas, o llame a nuestro departamento de atención al cliente al 1-800-251-0001.
- En la mayoría de los casos, la infiltración alrededor de las puertas y ventanas de entrada no aisladas permitirá que entre la suficiente cantidad de aire fresco para que el calentador funcione eficientemente.

1.1 Aire fresco para la combustión y ventilación

Es fundamental que exista un flujo de aire ilimitado durante el funcionamiento del calentador para evitar que el área que se encuentra por encima del calentador instalado se caliente en exceso. Si el taller o edificio de servicio público está rigurosamente aislado (por ejemplo, en las ventanas, puertas, aberturas, etc.), deben seguirse los siguientes métodos de ventilación:

- El calentador viene con una sola ventilación de escape para su practicidad. Dicha ventilación debe colocarse por encima del calentador (preferentemente en la parte más alta del interior del edificio) y debe ventilar hacia afuera del edificio. Para quienes tienen un taller o edificio de servicio público terminado, la fábrica provee una ventilación adicional.
- Debajo del calentador (preferentemente a no más de 61 cm (dos pies) de distancia del piso del edificio), se debe colocar una ventilación de entrada de aire, o equivalente, desde el exterior del edificio con un área efectiva de 483,9 cm² (75 pulgadas cuadradas).
- Las aberturas equivalentes a una ventilación de entrada de aire serían: puertas y ventanas parcialmente abiertas.
- Con aberturas de este tamaño (13 cm por 33 cm (5 pulgadas por 13 pulgadas), o 7,62 cm por 63,5 cm (3 pulgadas por 25 pulgadas)), se evitará la peligrosa acumulación de calor encima del calentador.

1.2 Pautas del termostato

La elección del lugar para montar el termostato es fundamental para que el calentador funcione con eficiencia y eficacia.

- El termostato debe instalarse a alrededor de cinco pies por encima del piso para que pueda circular aire libremente a su alrededor.
- No se debe montar el termostato directamente sobre una pared exterior fría sin un bloque de montaje aislado.
- No se debe montar el termostato en corrientes de aire directas.
- No se debe montar el termostato directamente debajo del calentador instalado.
- No se debe instalar el termostato a una distancia mayor con respecto al calentador que la longitud del cable del termostato.

2. INSTRUCCIONES DE MONTAJE DEL CALENTADOR

Después de elegir el lugar para instalar el calentador y el lugar del termostato y de verificar y asegurarse de que se cumpla con todos los requisitos de colocación antes mencionados, coloque el calentador de la siguiente manera:

- A. Determine cómo desea instalar la ventilación de acuerdo con la construcción del edificio y su preferencia personal. (Es decir, ¿desea el lado con brida [terminado] del interior o exterior del edificio, o desea dos ventilaciones para que tanto el exterior como el interior queden terminados?) Si es necesario, pida otra ventilación a la fábrica. Nuestra dirección y nuestro número de teléfono gratuito figuran en la contratapa de este manual. Instale la ventilación de la siguiente manera:
 1. Consulte en la Figura 3 las dimensiones y la información sobre la ventilación.
 2. Elija un lugar lo más alto posible con respecto al calentador de acuerdo con los requisitos antes mencionados y asegúrese de que el respiradero o los respiraderos no estén en contacto ni interfieran con los sistemas existentes en el edificio (es decir, conductos, cableado, cañerías, etc.)
 3. Coloque el lado incompleto del respiradero contra la pared en el lugar elegido y, con un lápiz u otro marcador adecuado, trace sus dimensiones sobre la pared.
 4. Corte o haga un agujero en la pared, o las paredes en el caso de edificios terminados, que tenga las dimensiones del lado incompleto del respiradero.
 5. Instale el respiradero o los respiraderos como desee y afírmelo con cuatro soportes de ajuste adecuados que pasen por los orificios ya perforados en la brida del respiradero.
- B. Prepárese para instalar el soporte del calentador para pared de la siguiente manera:
 1. Si el soporte se colocará sobre una pared de tablaroca y entramado, consulte las dimensiones en la Figura 3, ubique un entramado y perfore

- dos orificios de guía de 0,31 cm (1/8") en la línea central del entramado. Use una plantilla para facilitar la instalación.
2. Si el soporte se colocará sobre una pared de ladrillo o mampostería, consulte las dimensiones en la Figura 3. Obtenga dos tacos de expansión de 0,63 cm (1/4 de pulgadas) (diámetro interno) y determine el tamaño correcto que usará para perforarlos. Perfore orificios del tamaño correcto en el ladrillo o la mampostería para colocar los tacos.
 - C. Coloque el soporte para pared sobre la pared y alinee los dos orificios pasantes del soporte con los orificios o tacos de guía. Pase tornillos de compresión de 0,63 cm (1/4 pulgadas) por 6,35 cm (2-1/2 pulgadas) por el soporte hasta el entramado o los tacos. Ajústelos.
 - D. Ubique el sujetador de montaje del calentador en la parte trasera del calentador y elija el perno de cabeza hexagonal de 0,63 cm (1/4") - 20 por 1,90 cm (3/4") y la tuerca hexagonal de 0,63 cm (1/4") - 20.
 - E. Coloque el calentador como se observa en la Figura 3, y pase el sujetador de montaje del calentador sobre el soporte, y pase el perno por el sujetador y el soporte.
 - F. Coloque la tuerca hexagonal en el perno y ajústela.
 - G. Asegúrese de que el lugar elegido para colocar el termostato cumpla con todos los requisitos antes mencionados. Para obtener información adicional sobre la conexión a tierra e instrucciones de montaje, consulte las instrucciones que vienen con el termostato.
 - H. Si la pared es de entramado y tablaroca, entonces use tornillos autorroscantes n. 6 por 2,54 cm (1 pulgada), que vienen con el termostato, y coloque el termostato en el lugar elegido.
 - I. Si la pared es de ladrillo o mampostería, deberá obtener los tacos adecuados para adaptar los tornillos de montaje del termostato. Use la placa trasera del termostato como plantilla para marcar los lugares de los orificios, perfore orificios de tamaño adecuado para los tacos, instale los tacos y afirme el termostato con los tornillos.
 - J. Conecte los cables del termostato a la válvula de gas como se observa en la Figura 4.

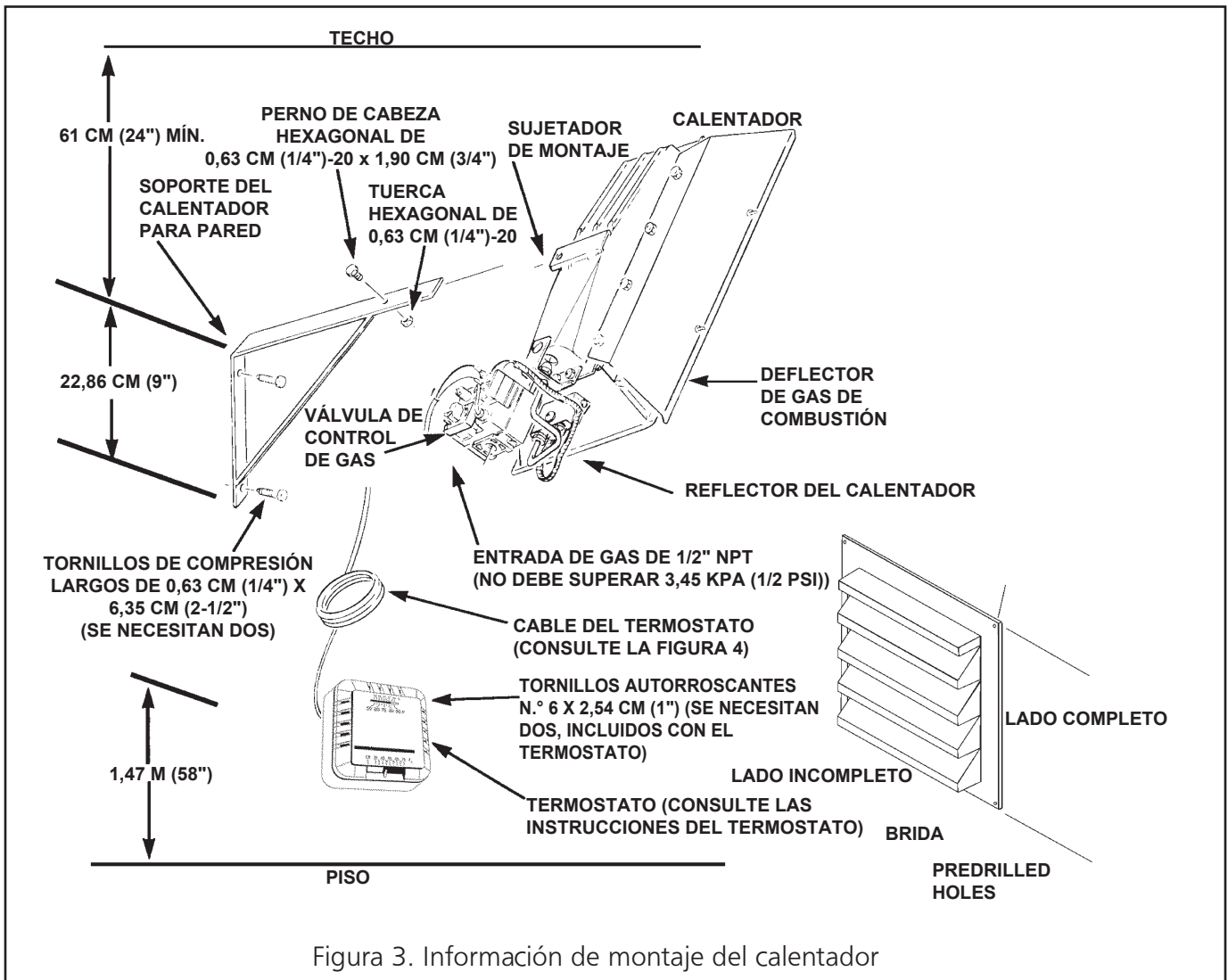
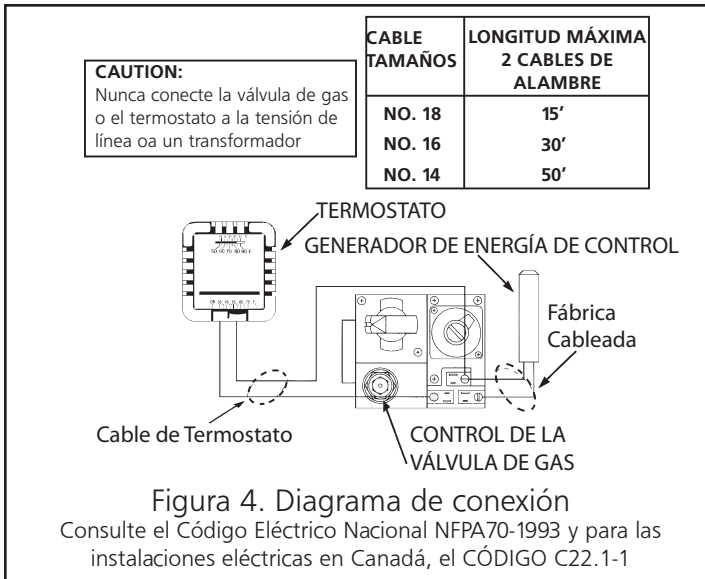


Figura 3. Información de montaje del calentador



3. CONEXIÓN DEL CALENTADOR AL SUMINISTRO DE GAS

ADVERTENCIA: Según los códigos y requisitos locales y la capacidad del instalador, es posible que se requiera la ayuda de un profesional para determinar el tamaño e instalar las líneas de gas necesarias para suministrar gas al calentador de forma segura y eficiente. Si tiene dudas sobre estos requisitos, hable sobre los requisitos de este manual con el vendedor del calentador y con el suministrador de gas.

3.1 Requisitos para el suministro de gas Gas Natural

- Consulte en las Tablas 1 y 2 cuál es la presión mínima, máxima, de funcionamiento y del colector para ambos modelos de calentador. Las presiones se establecen en pulgadas de W.C. (water column, columnas de agua). Además, consulte las placas de especificaciones del calentador.
- La mayoría de los servicios de gas natural para uso no comercial proporcionan una presión de línea de 114 cm³ (4 onzas) (6,9 pulgadas W.C.). Si tiene alguna duda, consulte con su proveedor de gas natural.
- Para que el calentador a gas natural funcione óptimamente, asegúrese de que la presión de suministro del colector sea de 114 cm³ (6 pulgadas W.C.) como mínimo.

ADVERTENCIA el modelo MH25NG está diseñado para quemar gas natural y viene equipado con un regulador. El regulador está incorporado en la válvula de gas. La presión máxima de entrada al regulador es de 3,45 kPa (1/2 psi) (14 pulgadas W.C.). Si la presión de las líneas de gas supera 3,45 kPa (1/2 psi), entonces habrá que instalar otro regulador antes del calentador/regulador para bajar la presión a un máximo de 3,45 kPa (1/2 psi).

Gas Propano

- Para que el calentador a gas natural funcione óptimamente, asegúrese de que la presión de suministro del colector sea de 3,45 kPa (1/2 psi) como mínimo (14 pulgadas W.P.)

ADVERTENCIA: el modelo MH22LP está diseñado para quemar gas licuado del petróleo (liquefied petroleum, LP) y viene equipado con un regulador. El regulador está incorporado a la válvula de gas La presión máxima de entrada al regulador es de 3,45 kPa (1/2 psi) (14 pulgadas W.C.). Si la presión de las líneas de gas supera 3,45 kPa (1/2 psi), entonces habrá que instalar otro regulador antes del calentador/regulador para bajar la presión a un máximo de 3,45 kPa (1/2 psi).

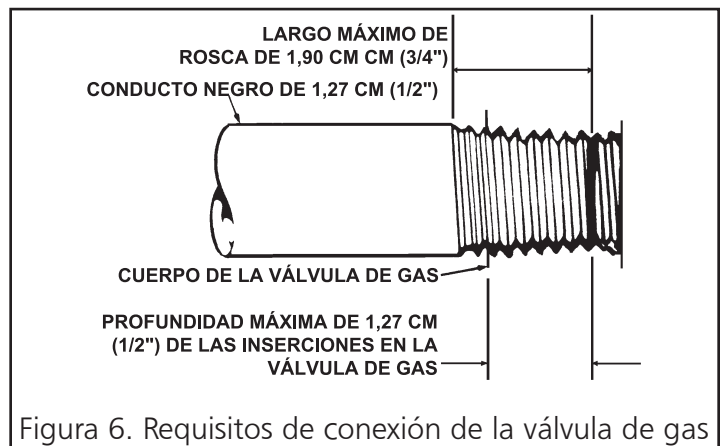
3.2 Requisitos relativos a los conductos

Todos los conductos instalados deben cumplir con los códigos y las ordenanzas locales o con el Código Nacional de Gas Combustible, ANSI Z223.1 (NFPA 54), el que tenga prioridad. Al instalar los conductos, se deben tener en cuenta los siguientes requisitos: las instalaciones realizadas en Canadá deben cumplir con el código de gas B149.1.2.

- Use un conducto negro nuevo debidamente escariado que no tenga virutas.
- Antes del ensamble, aplique un compuesto para conductos de buena calidad en todas las roscas macho según se observa en la Figura 5. Si se usa gas licuado como combustible, asegúrese de que el compuesto para conductos sea resistente al gas licuado. No use cinta Teflon™.



- Las roscas macho del conducto que se instalará en la válvula de gas deben cumplir con los requisitos de la Figura 6. Las roscas que superen la longitud de las que se muestran en la figura pueden provocar la distorsión y el funcionamiento indebido de la válvula de gas.
- En la línea que conduce a la válvula de gas, se debe instalar un separador de sedimentos que cumpla con los requisitos característicos de la Figura 7.
- En la línea de suministro de gas se debe instalar una llave de paso especial para el calentador.



3.3 Instalación de conductos

Instale los conductos de la siguiente manera, asegurándose de que se cumpla con todos los requisitos relativos al suministro de gas y los conductos:

- A. De acuerdo con los requisitos antes mencionados para conductos, ensamble los conductos, el separador de sedimentos, la llave de paso y los accesorios necesarios. Ajuste todos los componentes.

⚠ ADVERTENCIA: Si las roscas macho del conducto que se instalará en la válvula de gas no cumplen con los requisitos de la Figura 6, pueden producirse daños, distorsión y un funcionamiento indebido en la válvula de gas.

- B. Instale una boquilla roscada en la válvula de gas, preparada de acuerdo con el párrafo 3.2..

- C. Conecte el conducto de gas a la boquilla instalada en la válvula de gas.

⚠ ADVERTENCIA: Al probar el conducto de gas, use sólo una solución de agua y jabón. Para probar si pierde gas, no use fósforos u otro tipo de llama. Si al comprobar si existen fugas se detecta olor a gas, corte el suministro de gas y ventile el edificio.

- D. Asegúrese de que el edificio esté debidamente ventilado. Sin encender la llama piloto del calentador, abra la válvula del suministro de gas y presurice los conductos hasta la válvula de gas del calentador.

- E. Con un cepillo, aplique una solución de agua y jabón en todas las conexiones y verifique si se forman burbujas que indiquen una fuga. Si se detecta una fuga, corte el suministro de gas y ajuste las conexiones. Repita la prueba en las conexiones y ajústelas.

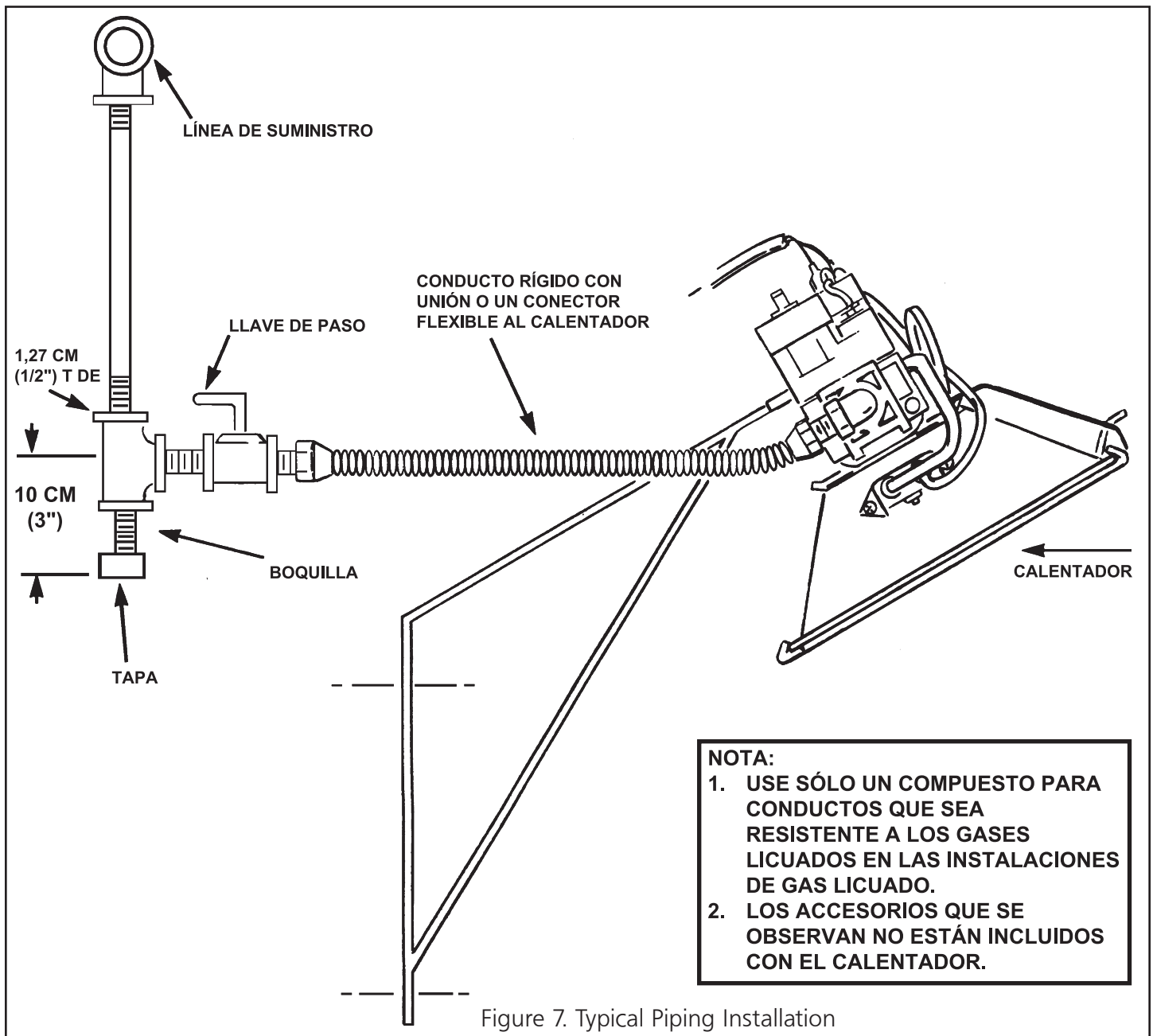


Figure 7. Typical Piping Installation

CAPÍTULO 3

INSTRUCCIONES DE FUNCIONAMIENTO DEL CALENTADOR

1. INSTRUCCIONES DE FUNCIONAMIENTO SEGURO

- ⚠ **ADVERTENCIA:** Cuando el calentador se utiliza sin aire fresco, es posible que emane MONÓXIDO DE CARBONO, que es un gas tóxico e inodoro. CUANDO USE EL CALENTADOR, ABRA LA VENTANA UNA O DOS PULGADAS PARA QUE ENTRE AIRE FRESCO.
- ⚠ **ADVERTENCIA:** Este calentador tiene un SISTEMA DE SEGURIDAD CON LLAMA PILOTO. NO TOQUE EL SISTEMA DE SEGURIDAD CON LLAMA PILOTO.
- ⚠ **ADVERTENCIA:** Si el calentador se apaga, no vuelva a encenderlo hasta que ingrese aire fresco. Abra la puerta durante cinco minutos. Si continúa apagándose, hágalo reparar. Mantenga limpios el quemador y el control.
- ⚠ **ADVERTENCIA: LA INTOXICACIÓN POR MONÓXIDO DE CARBONO PUEDE CAUSAR LA MUERTE.** Los síntomas tempranos de intoxicación por monóxido de carbono se asemejan a la gripe, con dolor de cabeza, mareos o náuseas. Si tiene estos síntomas, es posible que el calentador no esté funcionando correctamente. Tome aire fresco de inmediato. Haga reparar el calentador.
- ⚠ **ADVERTENCIA: PARA COMPROBAR SI EXISTEN FUGAS DE GAS, NO USE FÓSFOROS U OTRO TIPO DE LLAMA.**

AVISO: Si el color infrarrojo de la parrilla se oscurece

cuando la calefacción del edificio está en funcionamiento, consulte al suministrador de gas cuáles son los tamaños correctos de los conductos para el suministro de gas.

AVISO: ¡Este calentador sólo debe instalarse en interiores!

NOTA

El material fijador de las juntas que se utiliza en el ensamble de este calentador emitirá temporalmente un olor o vapor. Ese estado pasará en aproximadamente 20 minutos y no volverá a ocurrir en lo sucesivo. Consulte sobre ventilación en el Capítulo 2.

2. ENCENDIDO DEL CALENTADOR

- ⚠ **ADVERTENCIA:** Durante el encendido del calentador, asegúrese de que el edificio esté bien ventilado.

- A. Abra la válvula o las válvulas del suministro de gas.
- B. Coloque el termostato en posición de apagado (OFF). Consulte la Figura 8.

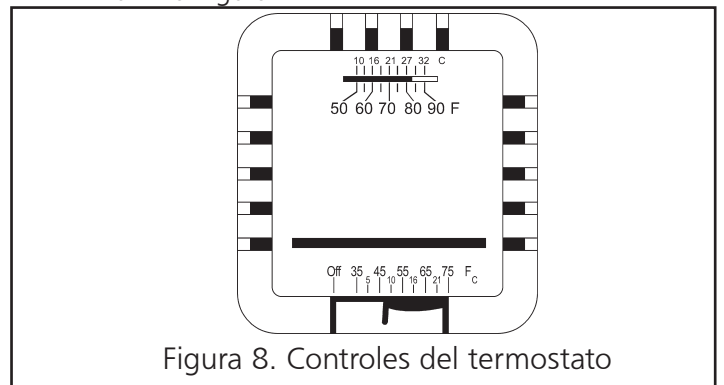


Figura 8. Controles del termostato

- C. Si la perilla de control manual de gas que se encuentra en la válvula de gas no está en posición de apagado, oprímala parcialmente y rótelas hasta la posición OFF. Consulte la Figura 9.
- D. Espere cinco minutos para que salga el gas que se haya

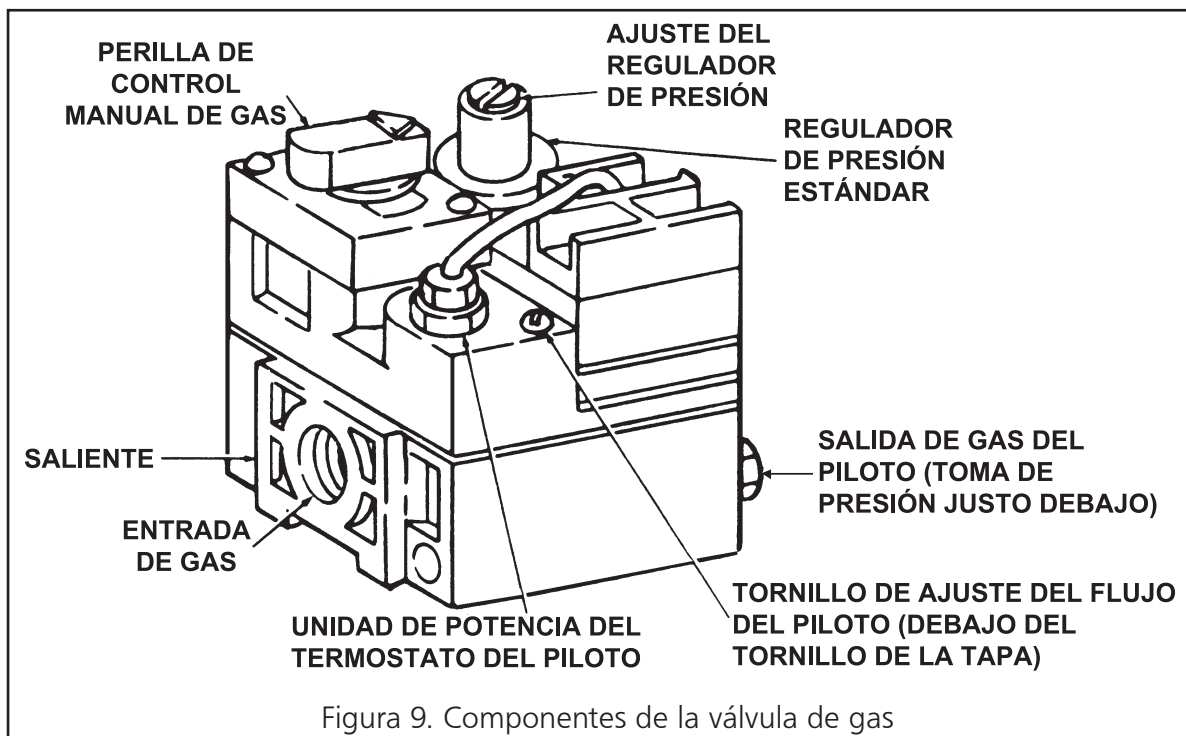


Figura 9. Componentes de la válvula de gas

acumulado en el quemador principal (especialmente importante después de la instalación)

- E. Gire la perilla de control manual de gas hasta la posición piloto (PILOT).
- F. Oprima la perilla de control manual de gas. Con un fósforo, encienda la llama piloto. Para encender un calefactor con el juego de grilla decorativa instalado, use un fósforo largo y encienda el piloto a través de la rejilla. Consulte la Figura 10. Mantenga oprimida la perilla durante aproximadamente 30 segundos para que el aire que haya en las líneas de gas pase por el piloto y, cuando éste esté encendido, deje que la termocupla se caliente lo suficiente para activar la válvula de seguridad en posición abierta.
- G. Suelte la perilla de control manual de gas y gírela hasta la posición de encendido (ON).
- H. Configure el termostato a la temperatura deseada.

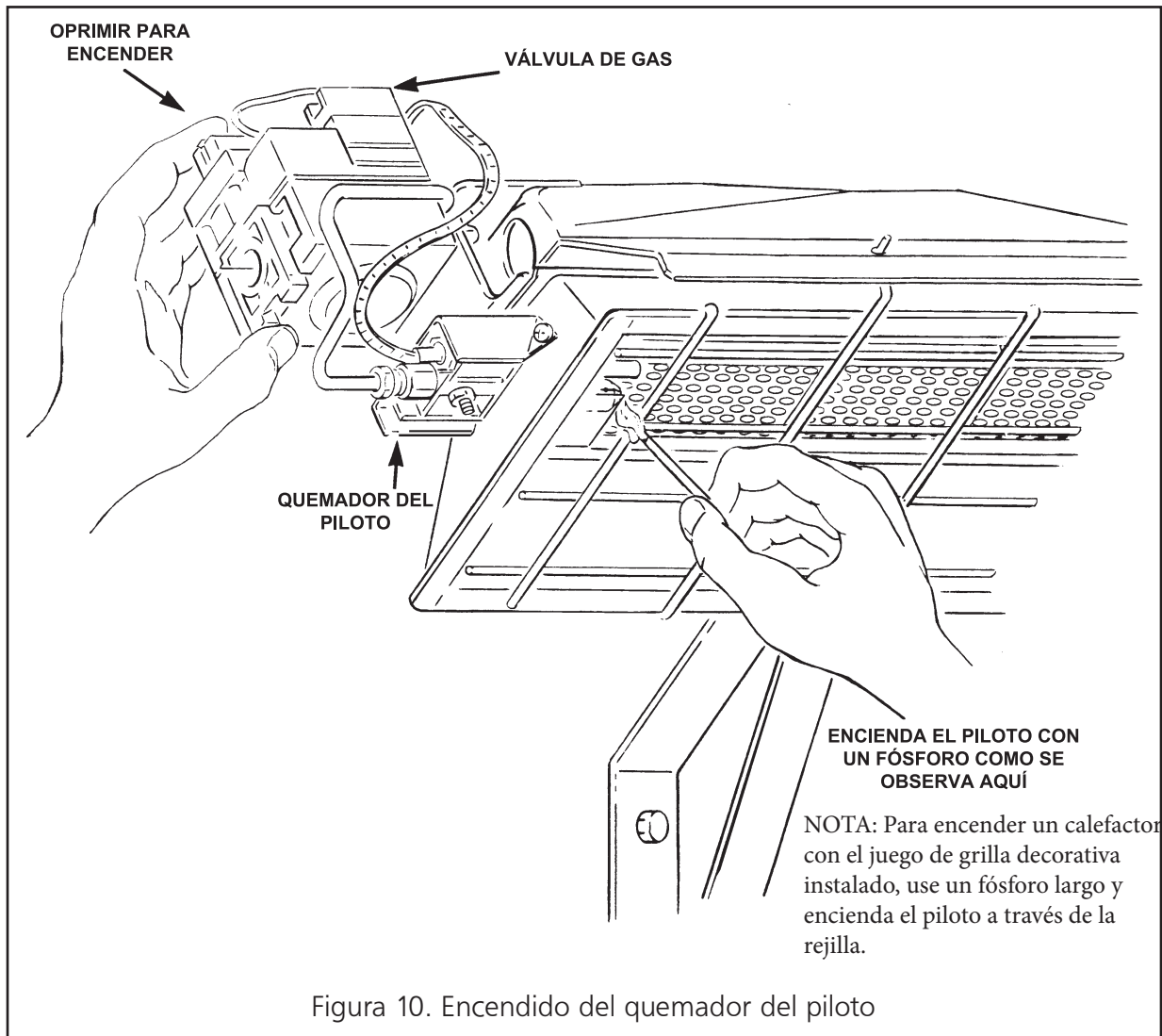
NOTA

Durante el encendido inicial del calentador, es posible que salga del calentador un olor y quizás un poco de

vapor. Es el material fijador de las juntas que emana ese olor o vapor. Después de aproximadamente 20 minutos, el olor desaparece y no se vuelve a producir.

3. APAGADO DEL CALENTADOR

- A. Gire el termostato hasta la posición de apagado (OFF).
- B. Gire la perilla de control manual de gas que se encuentra en la válvula de gas hasta la posición piloto (PILOT).
- C. Oprima parcialmente la perilla y rótelala hasta la posición de apagado (OFF).
- D. Cierre las válvulas de suministro de gas.



CHAPTER 4

INSTRUCCIONES DE MANTENIMIENTO PARA EL OPERADOR

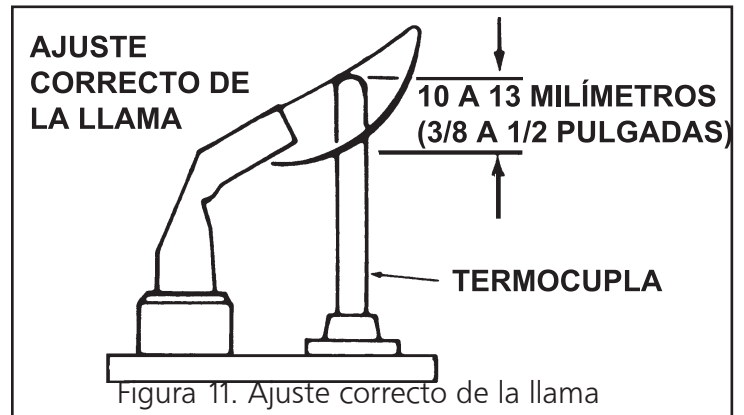
1. REPARACIÓN DE AVERÍAS

- A. En la Tabla 4 se mencionan los problemas habituales que puede tener durante el funcionamiento o mantenimiento del calentador.
- B. Para obtener más información, consulte el boletín informativo técnico de Honeywell (Honeywell Field Bulletin) incluido en la caja del calentador.
- C. En caso de no obtener resultados después de intentar todas las soluciones mencionadas, llame a la fábrica.

2. Adjusting the pilot flame

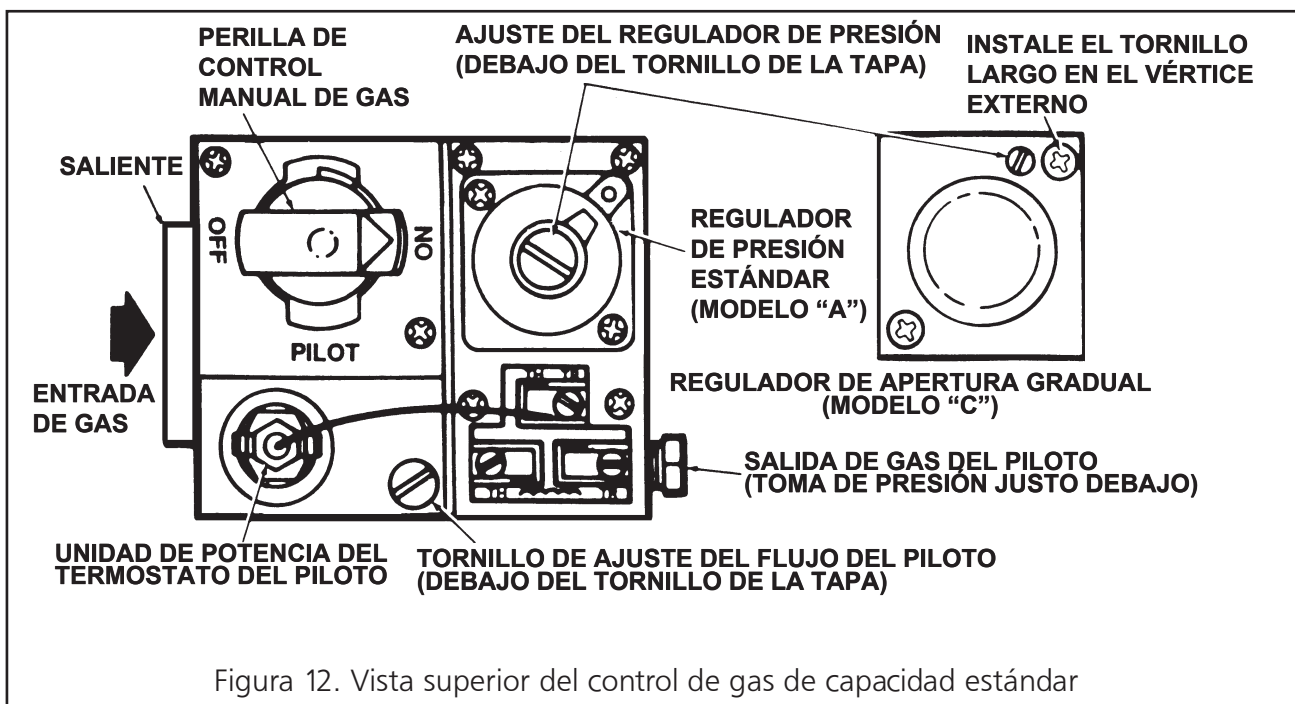
La llama del piloto debe envolver 10 a 13 mm (3/8 a 1/2 pulgadas) de la punta de la termocupla o del generador. Consulte la Figura 11. Para ajustarla:

- A. Retire el tornillo de ajuste de la tapa del piloto. Consulte la Figura 12.
- B. Gire el tornillo de ajuste interno hacia la derecha ↻ para bajar o hacia la izquierda ↻ para subir la llama del piloto
- C. Después de ajustar la llama, cambie siempre el tornillo de la tapa y ajústelo fuertemente para que funcione correctamente.



3. CAMBIO DE LA UNIDAD DE LA VÁLVULA DE GAS

- A. Retire los dos cables de la unidad de la válvula de gas que se encuentran en la válvula de control de gas rotulados "PP".
- B. Desatornille la válvula de gas del conducto de gas.
- C. Vuelva a conectar los cables de la válvula de gas y la unidad a los terminales "PP". Asegúrese de dejar el cable del termostato en un terminal.



4. FRECUENCIA DE LOS CONTROLES DEL OPERADOR

Uso intermitente.

Los artefactos que se usan por temporada deben controlarse antes de apagarlos y nuevamente antes de su próximo uso.

Ambiente con polvo, humedad o corrosión.

Dado que estos ambientes pueden hacer que el control de gas se deteriore más rápidamente, es necesario verificar el sistema con más frecuencia. Se debe cambiar el control de gas si:

- A. No funciona bien al realizar el control o la reparación de averías.
- B. Cuesta girar u oprimir la perilla del control de gas, o si no se levanta al soltarla.

Tabla 4. Cuadro de reparación de averías

A continuación se presentan en forma de cuadro los síntomas de un sistema que no funciona debidamente, los posibles defectos que provocan estos síntomas y las medidas correctivas propuestas. La información del cuadro se presenta con la suposición de que el calentador recibe la presión de gas adecuada y que el procedimiento de encendido se lleva a cabo según se indica en la placa adjunta al calentador.

SÍNTOMAS	CAUSAS	SOLUCIONES
el quemador se apaga muy lentamente	bloqueo parcial del orificio del piloto	cambiarla
	piloto no ajustado	reajustar piloto
el quemador se apaga muy lentamente color infrarrojo se mantiene oscuro	orificio del quemador parcialmente bloqueado	cambiarla
retroceso de la llama del quemador (ruido crepitante durante el funcionamiento y la superficie de la parrilla de cerámica se oscurece)	presión de gas baja	corregir presión de la línea o llamar al suministrador de gas
	quemador roto	cambiarla
la parrilla de cerámica o el quemador se llenan de hollín (cuando el calentador es nuevo o después de limpiarlo)	primero controle si el orificio del quemador está roto	cambiarlo si está roto
	si el orificio del quemador no está roto entonces verifique si el colector está roto	cambiarla
no se enciende el piloto	el orificio del piloto está bloqueado	cambiarla
	la llave de gas no está en posición	se debe girar la perilla de la llave de gas hasta piloto y oprimirla
	es posible que el tornillo de ajuste del flujo de gas del piloto esté cerrado	abrirlo y ajustarlo (consulte la Figura 12)
la llama piloto se enciende pero se apaga	termocupla defectuosa	cambiarla
	control defectuoso	cambiarla
el piloto queda encendido pero el quemador principal no se enciende	cable suelto o cableado incorrecto	ajustar las conexiones, verificar el diagrama de cableado
	control defectuoso	cambiarla
	orificio del quemador bloqueado	limpiar orificio o cambiarlo
no enciende	no hay suministro de gas	abrir válvulas manuales
	aire en la línea de gas	purgar la línea de gas
	conexiones de cables sueltas	ajustar conexiones de cables
	conexiones de cables sucias	limpiar los terminales y ajustarlos

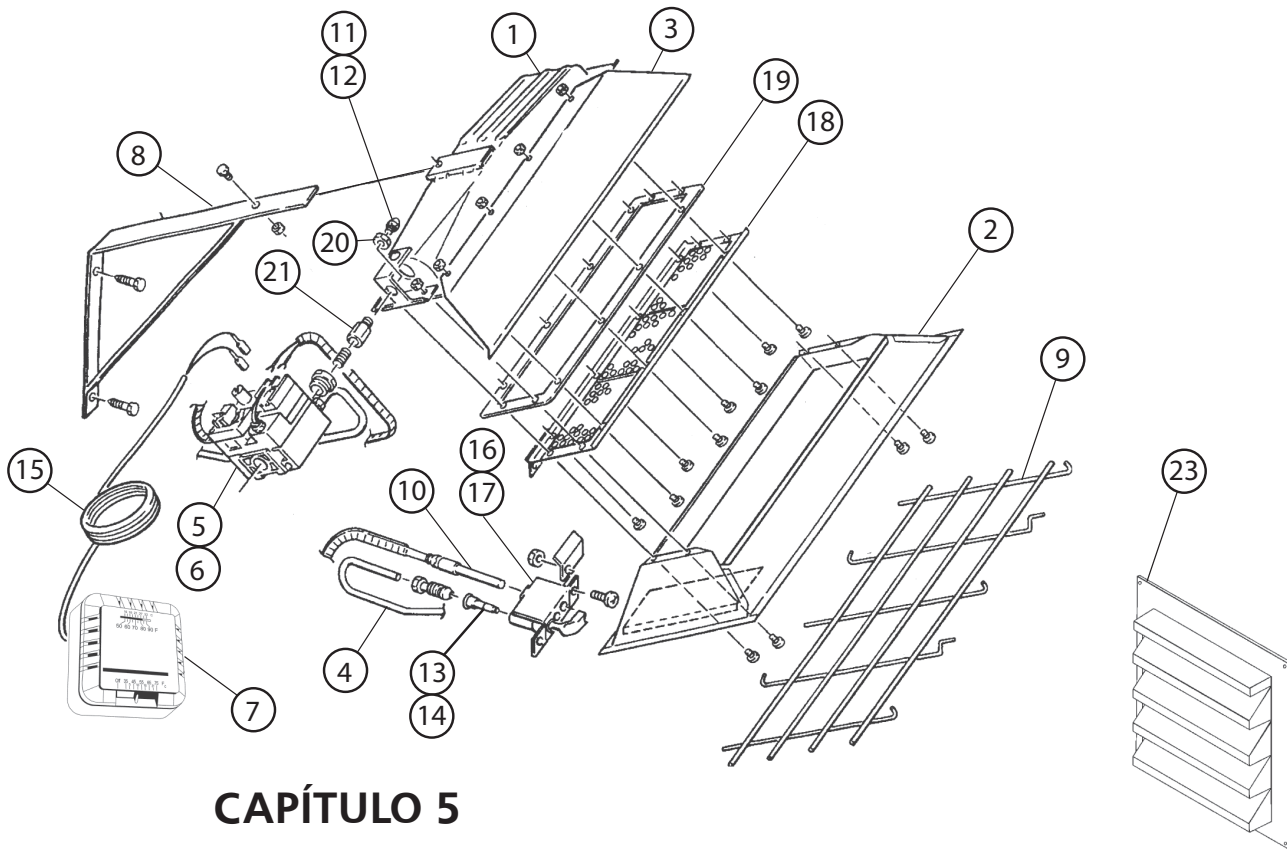
SI DEBE REPARARLO

NO DEVUELVA EL ARTEFACTO A LA TIENDA

Para obtener información sobre reparación, llame a nuestro número gratuito: 1-800-251-0001.

Nuestro horario de atención es de lunes a viernes, de 8:30 a 17:00, hora del este

En todas las comunicaciones recuerde incluir el número de modelo, la fecha de compra y la descripción del problema.



CAPÍTULO 5

LISTA DE REPUESTOS

ARTÍCULO	PARTE	DESCRIPCIÓN	ARTÍCULO	PARTE	DESCRIPCIÓN
1	02529A	Ensamble completo del quemador	14	05573	Orificio- piloto- gas propano
2	00377A	Ensamble del reflector	15	10358	Cable del termostato
3	01357	Deflector de gas de combustión	16	11406	Quemador del piloto- gas natural
4	16451	Tubo del piloto	17	11405	Quemador del piloto- gas licuado
5	00024	Válvula de gas- gas natural	18	04435A	Repuesto de la parrilla
6	00025	Válvula de gas- gas propano	19	12369	Junta
7	10367	Termostato	20	05354	Contratuercas
8	14405	Soporte para pared	21	05351	Conector
9	04432	Protector	22	98593	Boquilla de cierre de 1 cm (3/8")
10	09360	Termocupla/Generador	23	19014	Boca de ventilación de entrada
11	05447	Orificio- quemador- gas natural			
12	05455	Orificio- quemador- gas propano			
13	05576	Orificio- piloto- gas natural			

KITS DE CONVERSIÓN OPCIONAL	
STOCK NO.	DESCRIPCIÓN
F200293	Para conversión de gas natural a LP
F200294	Para conversión de LP a gas natural

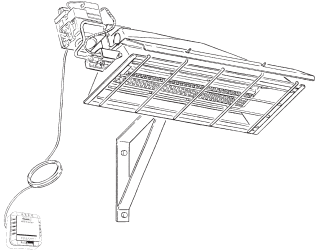
PARA TODOS LOS RECLAMOS DE GARANTÍA SE DEBE PRESENTAR LA FACTURA DE COMPRA



INSTRUCCIONES DE USO Y MANUAL DEL USUARIO

MODEL #
HS25NG
HS22LP

LEA CUIDADOSAMENTE LAS INSTRUCCIONES: SU SEGURIDAD ES IMPORTANTE PARA USTED Y PARA LOS DEMÁS. lea y siga todas las instrucciones. Conserve estas instrucciones en un lugar seguro para futura referencia. No permita que nadie que no haya leído estas instrucciones arme, encienda, ajuste o use el calentador.



ADVERTENCIA:

UTILICE ÚNICAMENTE REPUESTOS DEL FABRICANTE. EL USO DE CUALQUIER OTRO REPUESTO PUEDE CAUSAR LESIONES O LA MUERTE. LOS REPUESTOS SÓLO ESTÁN DISPONIBLES DIRECTAMENTE DE FÁBRICA Y DEBEN SER INSTALADOS POR UNA AGENCIA DE REPARACIÓN CALIFICADA.

PARA OBTENER INFORMACIÓN SOBRE REPARACIÓN O REPUESTOS:

Comuníquese con el vendedor o técnico de reparación de calefacción local.

PARA OBTENER MÁS INFORMACIÓN:

Llame al número gratuito 866-447-2194 o visite www.heatstarbyenerco.com
Nuestro horario de atención es de lunes a viernes de 8:00 a. m. a 5:00 p. m., hora del este.
Tenga a mano el número de modelo, el número de serie y la fecha de compra.

GARANTÍA LIMITADA

La empresa garantiza que este producto no presenta imperfecciones de material o mano de obra cuando se usa normal y debidamente de acuerdo con las instrucciones de la Empresa, por un período de un año desde la fecha de entrega al comprador. La Empresa, según su criterio, reparará o cambiará los productos devueltos por el comprador a la fábrica, con transporte prepago dentro de dicho período de un año y cuando la Empresa determine que los productos tienen imperfecciones de material o mano de obra.

Si falta una pieza o si hay una pieza rota, llame a nuestro Departamento de atención al cliente al 866-447-2194. Envíe los Reclamos de garantía al Departamento de atención al cliente, HEATSTAR, 4560 W. 160TH ST., CLEVELAND, OHIO 44135. Incluya su nombre, dirección y número de teléfono, así como los detalles relativos al reclamo. Además, infórmenos la fecha de compra y el nombre y la dirección del vendedor del producto.

La información precedente constituye el alcance total de la responsabilidad de la Empresa. No existe ningún otro tipo de garantía, explícita ni implícita. En particular, no existen garantías de aptitud para un fin específico ni comercialización. La Empresa no será responsable en ninguna circunstancia por el retraso causado por las imperfecciones, los daños indirectos o los cargos de cualquier tipo de gasto realizado sin el consentimiento de la empresa por escrito. La única solución por el incumplimiento de la garantía será el pago de los costos de reparación o cambio. No existe ninguna garantía por problemas similares y ninguna garantía implícita derivada de la negociación o el uso comercial. Esta garantía no será válida para ningún producto que haya sido reparado o alterado fuera de la fábrica de cualquier manera que en nuestra opinión afecte su estado o funcionamiento. En algunos estados está prohibida la exclusión o limitación de los daños fortuitos o indirectos, por eso es posible que la limitación o exclusión anterior no se aplique a su caso. Esta Garantía le confiere derechos legales específicos y es posible que usted tenga otros derechos que varían según el estado.

Mr. Heater se reserva el derecho de realizar cambios en cualquier momento, sin aviso u obligación, en los colores, las especificaciones, los accesorios, los materiales y los modelos.

REGISTRO DEL PRODUCTO: Gracias por su compra. Inicie sesión en <http://www.egiregistration.com> para registrar su producto.



HEATSTAR, 4560 W. 160TH ST., CLEVELAND, OHIO 44135 • 866-447-2194
HEATSTAR es una marca registrada de Mr. Heater, Inc.
© 2018, Mr. Heater todos los derechos reservados.

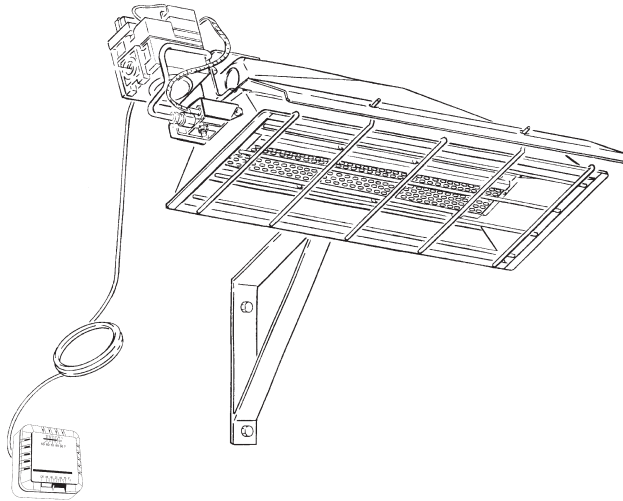


GUIDE D'UTILISATION ET MANUEL DU PROPRIÉTAIRE

MODEL #
HS25NG
HS22LP

LIRE ATTENTIVEMENT LES INSTRUCTIONS: VOTRE SÉCURITÉ EST IMPORTANTE POUR VOUS ET POUR LES AUTRES. Veuillez lire et suivre toutes les directives conservez ces instructions dans un endroit sécuritaire pour vous y référer ultérieurement. Ne permettez pas à quiconque n'ayant pas lu les présentes instructions d'assembler, d'allumer, de régler ou de faire fonctionner l'appareil de chauffage.

RADIATEUR D'ATELIER À INFRAROUGE ALIMENTÉ AU GAZ



Ne pas utiliser dans les garages résidentiels au Canada

⚠ AVERTISSEMENT: Le non-respect des instructions, telles qu'indiquées dans le présent guide, peut causer une explosion ou un incendie entraînant des dommages matériels ou des blessures graves, voire mortelles.

- N'entreposez ni n'utilisez d'essence ou autres liquides ou vapeurs inflammables à proximité de ce type d'appareil.
- EN PRÉSENCE D'UNE ODEUR DE GAZ
 - Coupez l'alimentation en gaz
 - Ne tentez d'allumer aucun appareil
 - Ne touchez à aucun commutateur électrique et n'utilisez aucun téléphone dans votre immeuble.
 - Rendez-vous chez un voisin et appelez immédiatement votre fournisseur en gaz à partir de là. Suivez les instructions du fournisseur en gaz.
 - Si vous ne pouvez pas joindre votre fournisseur en gaz, appelez le service des incendies.
- L'installation et l'entretien doivent être effectués par un installateur qualifié, une entreprise spécialisée ou le fournisseur en gaz.

⚠ AVERTISSEMENT: Ce radiateur alimenté au gaz n'est pas ventilé. Il utilise l'oxygène de la pièce où il est installé. Une circulation d'air adéquate doit être assurée pour la combustion et la ventilation. Voir la section sur l'air frais pour la combustion et la ventilation à la page 6 du présent guide..

⚠ AVERTISSEMENT: Une installation, un réglage, une modification, une réparation ou un entretien incorrect peut entraîner des dommages matériels, des blessures ou la mort. Lisez attentivement les instructions d'installation, de fonctionnement et d'entretien avant de procéder à l'installation ou à l'entretien avant de procéder à l'installation ou à l'entretien de cet intensité. Pour de l'assistance ou de l'information additionnelle, consulter un installer qualifié, une agence de service ou le fournisseur de gaz.

AVERTISSEMENTS:

⚠ AVERTISSEMENT: Une installation, une modification, ou une intervention d'entretien ou de réparation inadéquates risquent d'entraîner des dommages, des blessures ou même la mort. Lisez complètement les notices d'installation, d'utilisation et d'entretien avant de procéder à l'installation, l'entretien ou la réparation de cet appareil. Pour obtenir de l'assistance ou des renseignements supplémentaires, adressez-vous à un installateur, un fournisseur de services d'entretien ou un fournisseur en gaz qualifié.

⚠ AVERTISSEMENT: Si le radiateur est utilisé sans l'apport d'air frais nécessaire, il produira du MONOXYDE DE CARBONE, un gaz toxique inodore. OUVRIER LA FENÊTRE DE TROIS À CINQ CENTIMÈTRES (UN POUCE OU DEUX) POUR LAISSER ENTRER L'AIR FRAIS LORSQUE LE RADIATEUR EST UTILISÉ.

⚠ AVERTISSEMENT: Ce radiateur est doté d'un SYSTÈME DE SÉCURITÉ À VEILLEUSE. NE PAS MODIFIER LE SYSTÈME DE SÉCURITÉ À VEILLEUSE.

⚠ AVERTISSEMENT: Si le radiateur s'éteint, ventiler la pièce avant de le rallumer. Si le radiateur s'éteint continuellement, le faire réparer. Garder le brûleur et la zone de commande propres. Ouvrir la porte pendant cinq minutes. Conserver les écarts indiqués à la figure 2 ou sur la plaque signalétique du radiateur.

- NE PAS UTILISER D'ALLUMETTES NI AUCUNE AUTRE FLAMME POUR VÉRIFIER S'IL Y A DES FUITES.
- LA PRESSION D'ENTRÉE AU RADIATEUR NE DOIT PAS DÉPASSER 3,4 KPA (1/2 LB/PO).

Les carburants utilisés dans les appareils à des produits chimiques, notamment le benzène, connu en Californie pour causer le cancer et causer des malformations congénitales ou d'autres problèmes de reproduction. www.P65Warnings.ca.gov

TABLE DES MATIÈRES

Chapiter	Titre	Page
1	Introduction.....	F3
2	Installation du radiateur	F5
3	Notice d'utilisation du radiateur	F10
4	Directives d'entretien à l'intention de l'utilisateur	F12
5	Liste des pièces de rechange.....	F15

LANGUES

ANGLAIS

Pages E1 - E16

ESPAGNOL

Pages S1 - S16

FRANÇAIS

Pages F1 - F16

DANGER: L'empoisonnement au monoxyde de carbone peut causer la mort.

Empoisonnement au monoxyde de carbone:

Les signes avant-coureurs d'intoxication au monoxyde de carbone ressemblent aux symptômes de la grippe, soit maux de tête, étourdissements et nausée. Si vous ressentez ces symptômes, le radiateur ne fonctionne peut-être pas correctement. Allez immédiatement à l'air libre ! Faites inspecter le radiateur. Certaines personnes sont davantage affectées par le monoxyde de carbone que les autres. Il s'agit notamment des femmes enceintes, des personnes souffrant de problèmes cardiaques ou respiratoires ou encore d'anémie, et des personnes sous l'influence de l'alcool ou se trouvant en haute altitude..

MISE EN GARDE

- Ne jamais connecter le robinet de gaz ou le thermostat à la tension de secteur ou à un transformateur.
- Si la couleur de la grille infrarouge s'atténue lorsque la fournaise de l'immeuble fonctionne, adressez-vous à votre fournisseur en gaz pour connaître la taille des tuyaux à utiliser pour l'alimentation en gaz.
- Ce radiateur doit être utilisé à l'intérieur seulement !

REMARQUE

Le liant pour joint d'étanchéité utilisé dans ce radiateur émettra temporairement une odeur et/ou de la vapeur. Ces émanations cesseront au bout d'environ 20 minutes et ne se reproduiront plus. Voir le chapitre 2 pour l'aération.

AVERTISSEMENT:

⚠ LES SOUS-PRODUITS DE COMBUSTION ÉMIS LORS DE L'UTILISATION DE CET APPAREIL CONTIENNENT DU MONOXYDE DE CARBONE, UN PRODUIT CHIMIQUE RECONNU PAR L'ÉTAT DE CALIFORNIE COMME POUVANT CAUSER LE CANCER ET DES MALFORMATIONS CONGÉNITALES (OU AUTRES DOMMAGES AU SYSTÈME REPRODUCTEUR). Pour plus d'informations, visitez www.P65Warnings.ca.gov


INFORMATIONS GÉNÉRALES

GARDE CE MANUEL POUR Y REVENIR PLUS TARD. POUR LES QUESTIONS, LES PROBLÈMES, LES PIÈCES MANQUANTES AVANT DE RETOURNER AU DÉTAILLANT S'IL VOUS PLAÎT APPEL AVEC LE NUMÉRO DE MODÈLE ET LE NUMÉRO DE SÉRIE DE CHAUFFAGE:

1 - (866) - 447 - 2194

NOS HEURES D'OUVERTURE SONT DE 8 H 30 À 17 H HE, DU LUNDI AU VENDREDI. OU CONTACTEZ-NOUS EN UTILISANT LE SITE WEB **WWW.HEATSTARBYENERCO.COM**

Afin de fournir le meilleur service possible, HEATSTAR vous donne maintenant plus de moyens pour entrer en contact avec nous:

 Youtube: youtube.com/heatstarTV

CHAPITRE 1

INTRODUCTION

1. ÉQUIPEMENT

Ce radiateur est la version grand public d'un radiateur industriel à infrarouge alimenté au gaz très populaire et ayant fait ses preuves.

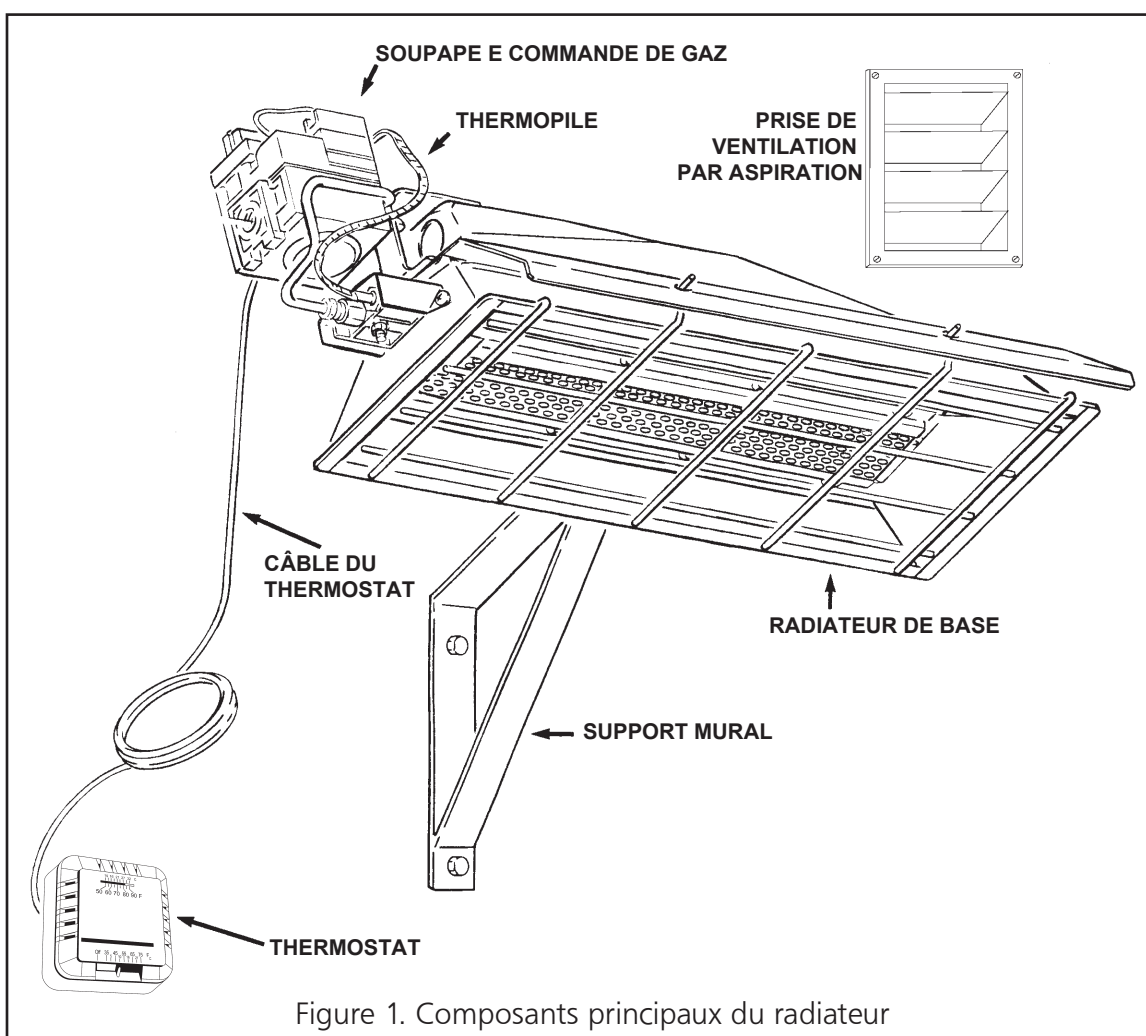
Ce radiateur ne requiert aucune source d'alimentation électrique externe.

La figure 1 montre une installation type du radiateur et en identifie les principaux composants. Le radiateur de base comprend l'ensemble de brûleur complet, le déflecteur de gaz de combustion, la grille, l'ensemble de réflecteur et une grille de protection.

2. UTILISATION DE L'ÉQUIPEMENT

AVERTISSEMENTS:

⚠ Installation à l'intérieur seulement. Ne pas installer dans un logement. Remarque: Une habitation est un domicile destiné à être utilisé par une ou plusieurs personnes et comprenant une ou plusieurs zones, telles que celles utilisées pour la cuisine, le repas, la vie, le sommeil ou des installations sanitaires. Une habitation ne comprend pas un garage, un atelier ou un espace extérieur attenant et détaché.



3. RENSEIGNEMENTS GÉNÉRAUX

- Votre radiateur est complètement assemblé et testé en usine avec le type de gaz approprié et les pressions d'entrée indiquées sur la plaque signalétique.
- Avant de l'installer, inspectez le radiateur et sa boîte d'emballage pour détecter tout dommage éventuel et vérifiez qu'il ne manque aucun composant. Si le radiateur est endommagé ou si des composants sont manquants, communiquez avec votre distributeur. Voir le chapitre 5 pour une liste complète des éléments requis pour une installation sûre et efficace de ce radiateur.
- Ne tentez jamais d'alimenter le radiateur avec un combustible autre que celui qui est spécifiquement identifié sur la plaque signalétique.
- L'installation du radiateur doit être conforme à tous les règlements de construction locaux ou, en l'absence de codes locaux, au National Fuel Gas Code ANSI Z223.1 (NFPA 54). Pour obtenir ce code, adressez-vous à : Association canadienne de normalisation, 8501 East Pleasant Valley Road, Cleveland, OH 44131 ; ou NFPA, Battery March Park, Quincy, MA 02269.
- Les installations canadiennes doivent être conformes au code sur les gaz CAN/CGA-B149.1.2 que l'on peut acheter auprès de l'Association canadienne du gaz, 55 Scarsdale Road, Don Mills (Ontario) M3B 2R3.
- Communiquez avec l'usine lorsque l'appareil doit être installé à haute altitude. L'usine offre une trousse de conversion pour haute altitude avec des instructions et une plaque signalétique.
- Une connexion pour manomètre d'essai NPT de 0,3 cm (1/8 po) est fournie sur la commande de gaz du radiateur.
- **Voir les tableaux 1 et 2 pour la fiche technique du radiateur:**

⚠ AVERTISSEMENT: Une installation, une modification, ou une intervention d'entretien ou de réparation inadéquates risquent d'entraîner des dommages, des blessures ou même la mort. Lisez complètement les notices d'installation, d'utilisation et d'entretien avant de procéder à l'installation, l'entretien ou la réparation de cet appareil. Pour obtenir de l'assistance ou des renseignements supplémentaires, adressez-vous à un installateur, un fournisseur de services d'entretien ou un fournisseur en gaz qualifié.

- Pour les informations concernant l'entretien, veuillez appeler notre numéro gratuit 866-447-2194 www.heatstarbyenerco.com

Les guides NFPA suivants sont également utiles si le radiateur doit être installé à un emplacement non prévu dans le présent manuel:

Numéro	Sujet connexe
NFPA 88	Distance par rapport aux surfaces combustibles
NFPA 409	Distance par rapport aux surfaces combustibles

⚠ LA PRESSION D'ENTRÉE AU RADIATEUR NE DOIT PAS DÉPASSER 3,4 KPA (1/2 LB/PO)

Prévoir une distance appropriée par rapport aux matériaux combustibles, conformément au tableau 3, à l'extrémité de la commande du radiateur pour l'entretien, ainsi qu'un dégagement minimum en haut et sur les côtés pour l'apport en air de ventilation et de combustion.

Il faut une hauteur minimum de 2,4 m (8 pi) au-dessus du plancher pour les garages publics conformément à la dernière édition de la norme NFPA n 88, ou à la figure 1, si cette hauteur est supérieure.

Les installations canadiennes dans des garages publics doivent être conformes à la dernière édition de la norme 149B.1.9 de l'ACG.

⚠ AVERTISSEMENT: Respectez les distances indiquées à la figure 2 ou sur la plaque signalétique du radiateur.

Tableau 1. Puissances en BTU et pressions d'alimentation

MODÈLE	PUISSANCE EN BTU/H		PRESSION D'ALIMENTATION EN GAZ (CE)					
	GAZ		MIN.		MAX.		COLLECTEUR	
	NATUREL (NAT.)	PROPANE (GPL)	NAT.	L.P.	NAT.	L.P.	NAT.	L.P.
HS25NG	25 000	-	18 cm (7,0 po)	-	35,6 cm (14 po)	-	15,2 cm (6 po)	-
HS22LP	-	22 000	-	28 cm (11 po)	-	35,6 cm (14 po)	-	25,4 cm (10 po)

Tableau 2. Dimensions du radiateur et tailles des orifices

MODÈLE	PRESSION DE FONCTIONNEMENT	TAILLE DE L'ORIFICE		ENTRÉE (BTU/H)	SIZE			
		BRÛLEUR	VEILLEUSE		LARGEUR	LONGUEUR	HAUTEUR	POIDS
HS25NG	6 po CE	45	0,016	25 000	31,11 cm (12 po)	75,56 cm (29 po)	17,78 cm (7,0 po)	9 kg (20 lb)
HS22LP	0 po CE	55	0,012	22 000	31,11 cm (12 po)	75,56 cm (29 po)	17,78 cm (7,0 po)	9 kg (20 lb)

CHAPITRE 2

INSTALLATION DU RADIATEUR

1. RENSEIGNEMENTS GÉNÉRAUX ET EXIGENCES RELATIVEMENT À L'INSTALLATION

- Les distances minimales par rapport aux surfaces combustibles sont illustrées à la figure 2 et dans le tableau 3. Comme il est indiqué à la figure 2, le devant du radiateur est installé à la distance minimale requise des surfaces combustibles et orienté vers l'espace ouvert, et les autres côtés doivent être éloignés d'au moins 40 cm (16 pouces) des surfaces combustibles.
- L'installation de cet appareil à des altitudes supérieures à 2000 pi (610 m) doit être conforme aux codes locaux ou, en l'absence de codes locaux, au code du gaz combustible, ANSI Z233.1 / NFPA 54 ou à la norme nationale du Canada, Gaz naturel. et code d'installation du propane, CSA B149.1.

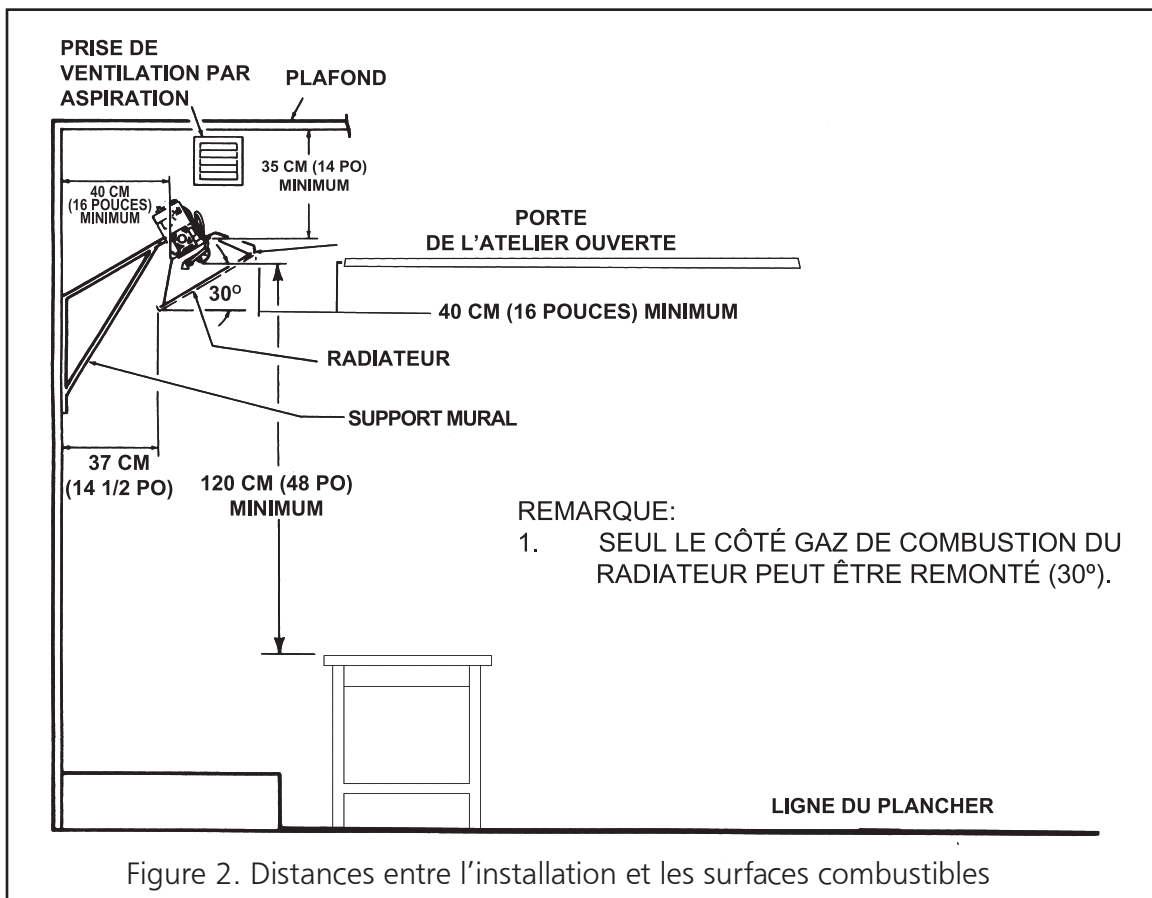


Tableau 3. Renseignements sur l'installation, la ventilation et le montage

MODÈLE	PUISSANCE EN BTU/H		POSITION DE MONTAGE NORMALE	DISTANCE DES SURFACES COMBUSTIBLES			
	GAZ			HAUT	CÔTÉS	ARRIÈRE	DESSOUS
	(NAT.)	(L.P.)					
HS25NG	25,000	-	30°	35,56 cm (14 po)	40,64 cm (16 po)	40,64 cm (16 po)	1,21 m (48 po)
HS22LP	-	22,000	30°	35,56 cm (14 po)	40,64 cm (16 po)	40,64 cm (16 po)	1,21 m (48 po)

- Ce radiateur peut être monté sur n'importe quel mur ; cependant, il est recommandé de l'installer au milieu du mur situé en face des portes roulantes à levage vertical, le cas échéant.
- Lors du choix des emplacements d'installation de ce radiateur, assurez-vous que les portes ou les fenêtres intérieures ou extérieures n'empiètent pas sur les distances de dégagement minimales et n'entrent pas en contact avec des composants du radiateur lorsqu'on les ouvre.
- Si une porte roulante à levage vertical est installée, vérifiez que le radiateur n'est pas installé de manière à nuire au fonctionnement de la porte et assurez-vous que les dégagements ne sont pas inférieurs aux valeurs minimales lorsque la porte est ouverte. Ne montez jamais le radiateur de manière à ce qu'il se trouve au-dessus d'une porte roulante à levage vertical ouverte.
- Assurez-vous qu'aucune conduite de gaz, aucun câble électrique et aucun conduit de câble électrique n'entrave le montage du radiateur sur le mur.
- Selon les codes et exigences locaux et le niveau de compétence de l'installateur, celui-ci peut devoir faire appel à un professionnel pour le calibrage et l'installation des conduites de gaz requises pour l'alimentation du radiateur. Si vous avez des doutes relativement à ces exigences, discutez des exigences du présent manuel avec le distributeur auprès duquel vous avez acheté le radiateur et votre fournisseur en gaz, ou appelez le service à la clientèle au 1-800-251-0001.
- Dans la plupart des cas, l'infiltration d'air autour des portes d'entrée et des fenêtres non isolées fournira suffisamment d'air pour que le radiateur fonctionne de manière efficace.

1.1 l'air frais pour la combustion et la ventilation

Il est essentiel de permettre la libre circulation de l'air pour empêcher que la zone au-dessus du radiateur installé ne surchauffe. Si votre atelier/bâtiment utilitaire est doté d'une isolation complète (incluant les fenêtres, les portes, les ouvertures, etc.), les méthodes de ventilation suivantes doivent être respectées:

- Une prise de ventilation par aspiration est fournie avec votre radiateur pour plus de commodité. Cette prise doit être située au-dessus du radiateur (préférentiellement au point le plus haut à l'intérieur du bâtiment) et elle doit donner à l'extérieur du bâtiment. Ceux qui ont un atelier ou un bâtiment utilitaire fini peuvent se procurer une prise additionnelle auprès de l'usine.
- Une prise d'air, ou l'équivalent, de l'extérieur du bâtiment et ayant une surface efficace de 485 cm (75 po) doit être aménagée sous le radiateur (préférentiellement à moins de 60 cm (2 pi) du plancher du bâtiment).
- Les ouvertures équivalentes à une prise d'air extérieure sont : les portes et les fenêtres partiellement ouvertes.
- Des ouvertures de 13 cm par 33 cm (5 po par 13 po) ou 8 cm par 64 cm (3 po par 25 po) empêcheront les surchauffes dangereuses au-dessus du radiateur.

1.2 Thermostat Guidelines

Le choix de l'emplacement de montage du thermostat est critique pour le fonctionnement efficace et efficient du radiateur.

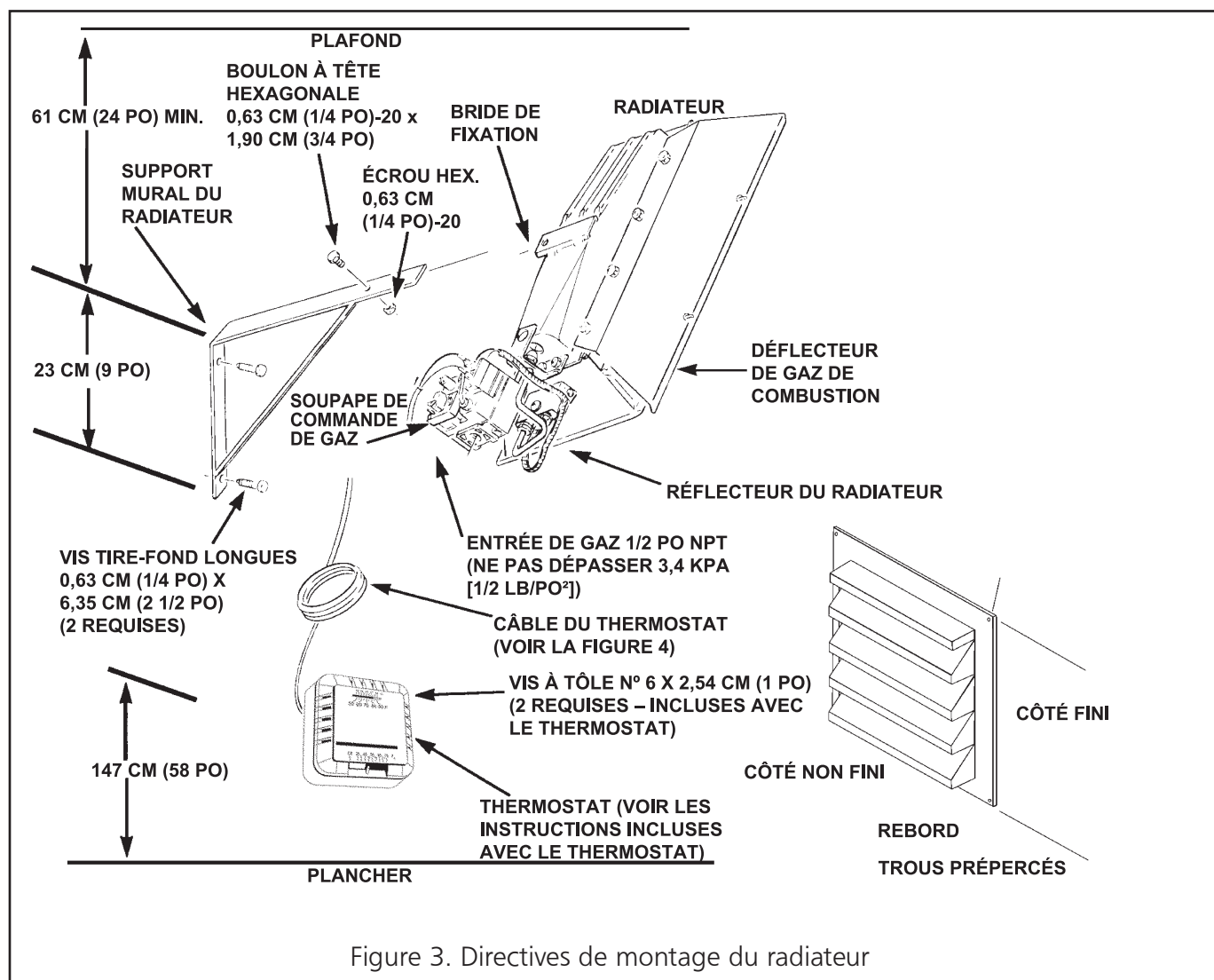
- Le thermostat doit être monté à environ 1,5 m (5 pieds) au-dessus du plancher et de façon à ce que l'air puisse circuler librement autour.
- Le thermostat ne doit pas être monté directement sur un mur extérieur froid sans bloc de montage isolé.
- Le thermostat ne doit pas être monté dans les courants d'air.
- Le thermostat ne doit pas être monté directement sous le radiateur installé.
- La distance entre le thermostat et le radiateur ne doit pas être supérieure à la longueur du câble du thermostat.

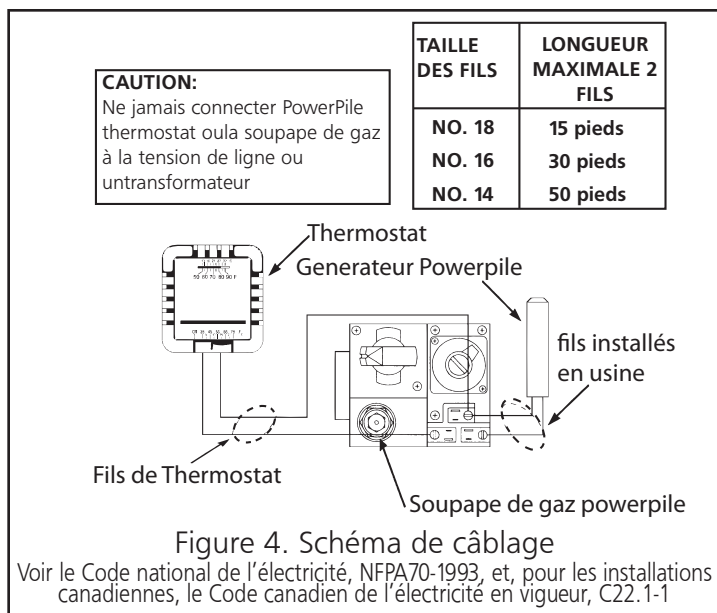
2. INSTRUCTIONS DE MONTAGE DU RADIATEUR

Après avoir choisi l'emplacement d'installation du radiateur et l'emplacement du thermostat, et après vous être assuré que toutes les exigences relatives à l'emplacement ont été respectées, montez le radiateur comme suit :

- A. Déterminez comment vous désirez installer la prise selon la construction du bâtiment et en fonction de vos préférences personnelles. (Par exemple, voulez-vous que le côté fini soit sur l'intérieur ou l'extérieur du bâtiment ou désirez-vous deux prises finies à l'intérieur et à l'extérieur ?) Au besoin, commandez une autre prise à l'usine. Notre adresse et notre numéro de téléphone sans frais figurent à l'endos du présent guide. Installez la prise comme suit:
 1. Voir la figure 3 pour les dimensions et d'autres renseignements sur la prise.
 2. Sélectionnez un endroit le plus haut possible conformément aux exigences ci-dessus et assurez-vous que la ou les prises ne touchent ni n'entravent les systèmes existants du bâtiment (c.-à-d. les conduites, le câblage, la tuyauterie, etc.)
 3. Placez le côté non fini de la prise contre le mur à l'emplacement choisi et tracez ses dimensions sur le mur au moyen d'un crayon ou d'un autre marqueur approprié.
 4. Taillez un trou dans le mur (ou dans les murs si le bâtiment est fini) ayant les dimensions du côté non fini de la prise.
 5. Installez la ou les prises tel que désiré et fixez-les au moyen de 4 attaches appropriées dans les trous aménagés sur le rebord de la prise.
- B. Préparez-vous à installer le support mural du radiateur comme suit:
 1. Si le support mural doit être fixé à un mur à poteaux de cloison et panneaux de revêtement, consultez la figure 3 pour les dimensions, repérez le poteau et percez des trous d'implantation de 3,2 mm (1/8 po) au centre du poteau. Utilisez le gabarit pour simplifier l'installation.

2. Si le support mural doit être fixé à un mur de brique ou de maçonnerie, consultez la figure 3 pour les dimensions. Procurez-vous deux ancrages à expansion de 0,63 cm (1/4 po) de diamètre interne et déterminez la taille du foret à utiliser. Percez les trous appropriés pour recevoir les ancrages dans la brique ou la maçonnerie.
- C. Placez le support mural sur le mur et alignez les deux trous du support sur les trous d'implantation ou les ancrages. Insérez des vis tire-fond de 0,63 cm (1/4 po) x 6,35 cm (2 1/2 po) par le support dans le poteau ou les ancrages. Serrez bien les vis.
 - D. Repérez la bride de fixation du radiateur à l'arrière du radiateur et sélectionnez le boulon à tête hexagonale 0,63 cm (1/4 po) – 20 x 1,90 cm (3/4 po) et l'écrou hexagonal 0,63 cm (1/4 po) – 20.
 - E. Positionnez le radiateur comme il est indiqué à la figure 3 et faites glisser la bride de fixation du radiateur sur le support, puis insérez le boulon dans la bride et le support.
 - F. Vissez l'écrou hexagonal sur le boulon et serrez-le bien.
- G. Assurez-vous que l'emplacement choisi pour le thermostat est conforme à toutes les exigences indiquées précédemment. Reportez-vous à la documentation accompagnant le thermostat pour plus de renseignements sur la mise à la terre et les instructions de montage.
 - H. S'il s'agit d'un mur à poteaux de cloison et panneaux de revêtement, utilisez des vis à tôle n° 6 de 2,54 cm (1 po), incluses avec le thermostat, et montez le thermostat à l'emplacement sélectionné.
 - I. Si le mur est en brique ou en maçonnerie, procurez-vous les ancrages appropriés en fonction des vis de montage du thermostat. Utilisez la plaque arrière du thermostat comme gabarit pour marquer l'emplacement des trous, percez des trous d'une grandeur appropriée pour les ancrages, posez les ancrages, fixez le thermostat au moyen des vis de montage.
 - J. Connectez les fils du thermostat à la soupape de gaz comme il est indiqué à la figure 4.





3. CONNEXION DU RADIATEUR À L'ALIMENTATION EN GAZ

AVERTISSEMENT: Selon les codes et exigences au niveau local et les compétences de l'installateur, celui-ci peut devoir faire appel à un professionnel pour le calibrage et l'installation des conduites de gaz requises pour l'alimentation sûre et efficace du radiateur. Si vous avez des doutes quant à ces exigences, discutez des exigences du présent manuel avec le distributeur auprès duquel vous avez acheté le radiateur et votre fournisseur en gaz.

3.1 Exigences relatives à l'alimentation en gaz Naturel

- Consultez les tableaux 1 et 2 pour les pressions d'alimentation en gaz minimum, maximum, de fonctionnement et d'admission pour les deux modèles de radiateurs. Les pressions sont fournies en pouces et en millimètres de CE (colonne d'eau). Consultez également les plaques signalétiques sur le radiateur.
- La plupart des fournisseurs de gaz naturel non-commercial fournissent une pression de ligne de 114 cm³ (4 oz.) (6,9 po. de colonne d'eau). En cas de doute, consulter votre fournisseur de gaz naturel.
- Pour obtenir un rendement optimal de votre radiateur au gaz naturel, assurez-vous que la pression d'admission est d'au moins 152 mm (6 po) CE.

AVERTISSEMENT: Le modèle MH25NG est conçu pour brûler du gaz naturel et il est équipé d'un régulateur. Le régulateur est intégré à la vanne de gaz. La pression d'aspiration maximale vers ce régulateur est de 3,4 kPa (1/2 lb/po) ou 355 mm (14 po) CE. Si la pression de la conduite de gaz excède 13,4 kPa (1/2 lb/po), un régulateur additionnel doit être installé avant le radiateur/régulateur pour réduire la pression à un maximum de 3,4 kPa (1/2 lb/po).

Gaz Propane

- Pour obtenir un rendement optimal de votre radiateur à GPL, assurez-vous que la pression d'admission est d'au moins 3,4 kPa (1/2 lb/po) ou 355 mm (14 po) CE.

AVERTISSEMENT: Le modèle MH22LP est conçu pour brûler du gaz naturel et il est équipé d'un régulateur. Le régulateur est intégré à la soupape de gaz. La pression d'aspiration maximale vers ce régulateur est de 3,4 kPa (1/2 lb/po) ou 355 mm (14 po) CE. Si la pression de la conduite de gaz excède 3,4 kPa (1/2 lb/po), un régulateur additionnel doit être installé avant le radiateur/régulateur pour réduire la pression à un maximum de 3,4 kPa (1/2 lb/po).

3.2 Exigences relatives à la tuyauterie

Toute la tuyauterie installée doit être conforme aux codes et ordonnances locaux ou au National Fuel Gas Code, ANSI Z223.1 (NFPA 54), selon celui qui a préséance. Les exigences suivantes doivent être prises en considération lors de l'installation de la tuyauterie : les installations canadiennes doivent se conformer au code sur les gaz B149.1.2.

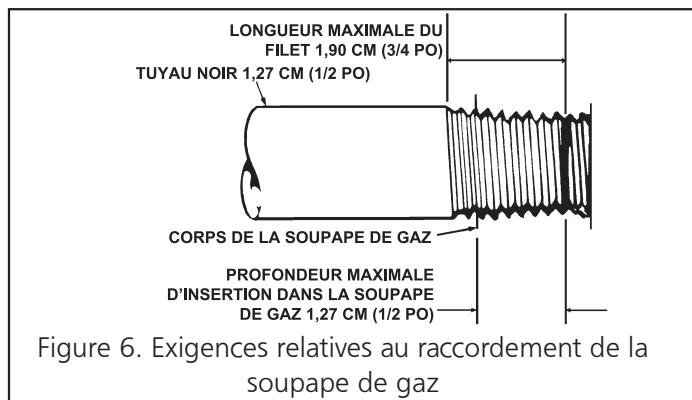
- Utilisez des tuyaux noirs neufs adéquatement alésés et non ébréchés.
- Appliquez une pâte à joint de bonne qualité sur tous les filets mâles, comme il est indiqué à la figure 5, avant l'assemblage. Si le combustible est du GPL, assurez-vous que la pâte à joint résiste au GPL. N'utilisez pas de ruban Teflon^{MC}.

UTILISEZ UNE QUANTITÉ MODÉRÉE DE PÂTE À JOINT



LAISSEZ 2 FILETS DÉNUDÉS
Figure 5. Application de la pâte à joint

- Les filets mâles du tuyau qui sera inséré dans la soupape de gaz doivent être conformes aux exigences de la figure 6. S'ils sont plus longs que ceux de la figure, les filets peuvent entraîner la distorsion et la défaillance de la soupape de gaz.
- Une grille à sédiments conforme aux exigences types de la figure 7 doit être installée dans la conduite menant à la soupape de gaz.
- Une soupape d'arrêt du radiateur doit être installée dans la conduite d'alimentation en gaz.



3.3 Installation des tuyaux

En vous assurant de respecter les exigences relatives à l'alimentation en gaz et à la tuyauterie, installez les tuyaux comme suit:

- A. Conformément aux exigences ci-dessus pour la tuyauterie, assemblez les tuyaux, la grille à sédiments, la soupape d'arrêt et les raccords nécessaires. Serrez bien tous les composants.

AVERTISSEMENT: Si les filets mâles du tuyau inséré dans la soupape de gaz ne sont pas conformes aux exigences de la figure 6, ils risquent d'entraîner une distorsion et une défaillance de la soupape de gaz.

- B. Installez un raccord fileté, préparé de la manière indiquée au paragraphe 3.2, dans la soupape de gaz.
- C. Raccordez la conduite de gaz au raccord installé dans la soupape de gaz..

AVERTISSEMENT: Utiliser uniquement de l'eau et du savon pour tester les conduites de gaz. Ne pas utiliser d'allumettes ni aucune flamme pour vérifier s'il y a des fuites. Si, durant un test de fuite, une odeur de gaz est détectée, couper l'alimentation en gaz et aérer le bâtiment.

- D. Assurez-vous que le bâtiment est bien ventilé. Sans allumer la veilleuse du radiateur, ouvrez le robinet d'alimentation en gaz et pressurisez les tuyaux jusqu'à la soupape de gaz du radiateur.
- E. Avec un pinceau, mettez de l'eau savonneuse sur toutes les connexions et vérifiez s'il y a des bulles indiquant une fuite. Si vous détectez une fuite, coupez l'alimentation en gaz et serrez les connexions. Testez de nouveau et serrez les connexions jusqu'à ce que toutes les fuites disparaissent.

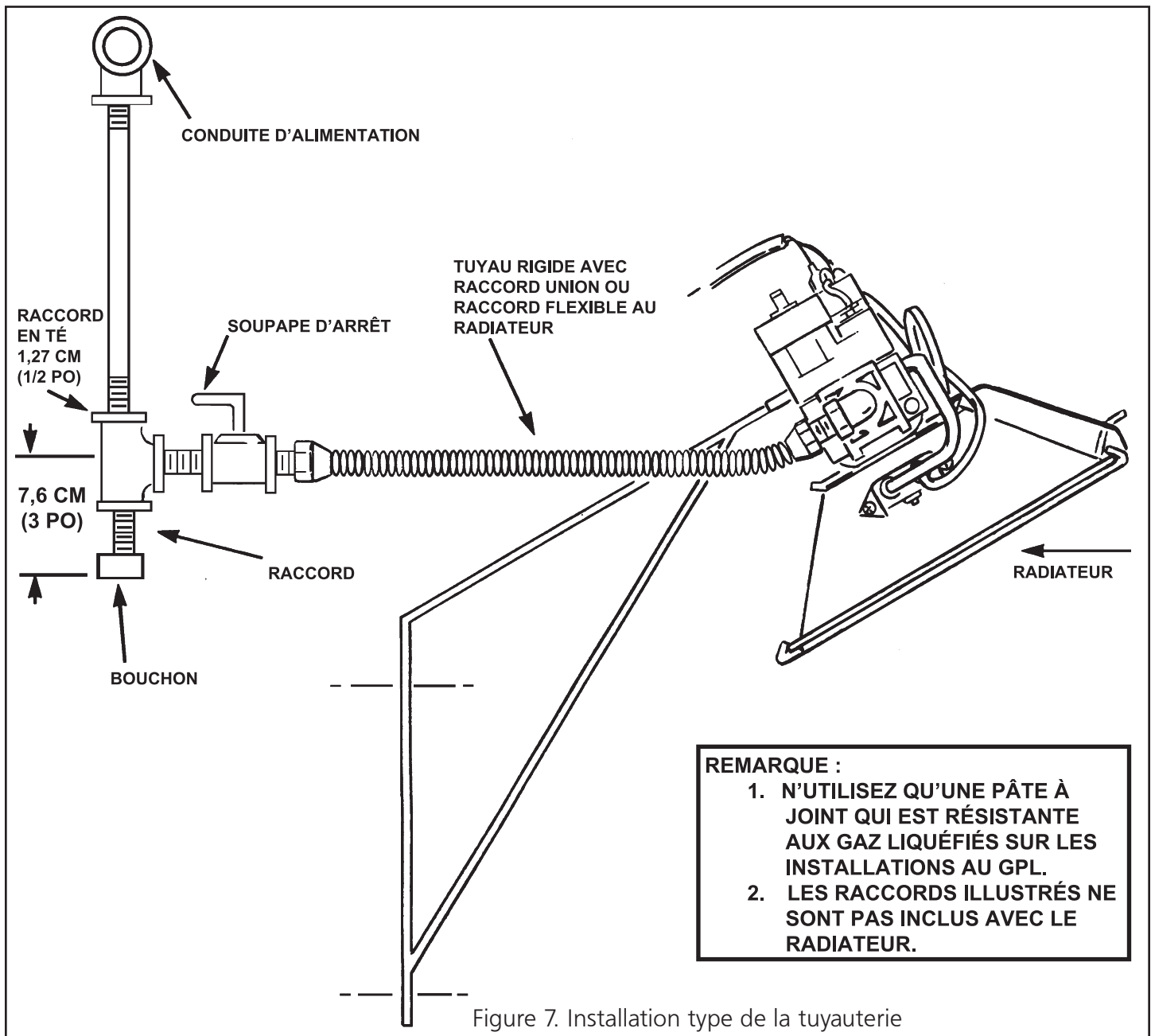


Figure 7. Installation type de la tuyauterie

CHAPITRE 3

NOTICE D'UTILISATION DU RADIATEUR

1. CONSIGNES DE SÉCURITÉ

- ⚠ **AVERTISSEMENT:** Si le radiateur est utilisé sans l'apport d'air frais nécessaire, il produira du MONOXYDE DE CARBONE, un gaz toxique inodore. OUVRIER LA FENÊTRE DE TROIS À CINQ CENTIMÈTRES (UN POUCE OU DEUX) POUR LAISSER ENTRER L'AIR FRAIS LORSQUE LE RADIATEUR EST UTILISÉ.
- ⚠ **AVERTISSEMENT:** Ce radiateur est doté d'un SYSTÈME DE SÉCURITÉ À VEILLEUSE. NE PAS MODIFIER LE SYSTÈME DE SÉCURITÉ À VEILLEUSE.
- ⚠ **AVERTISSEMENT:** Si le radiateur s'éteint, ventiler la pièce avant de le rallumer. Ouvrir la porte pendant cinq minutes. Si le radiateur s'éteint continuellement, le faire réparer. Garder le brûleur et la zone de commande propres.
- ⚠ **AVERTISSEMENT: L'EMPOISONNEMENT AU MONOXYDE DE CARBONE PEUT CAUSER LA MORT.** Les signes avant-coureurs d'intoxication au monoxyde de carbone ressemblent aux symptômes de la grippe, soit maux de tête, étourdissements et nausée. Si vous ressentez ces symptômes, le radiateur ne fonctionne peut-être pas correctement. Allez immédiatement à l'air libre ! Faites inspecter le radiateur.
- ⚠ **AVERTISSEMENT: NE PAS UTILISER D'ALLUMETTES NI AUCUNE AUTRE FLAMME POUR VÉRIFIER LES FUITES.**

ATTENTION: Si la couleur de la grille infrarouge s'atténue lorsque la fournaise de l'immeuble fonctionne, adressez-vous à votre fournisseur en gaz pour connaître la taille des tuyaux à utiliser pour l'alimentation en gaz.

ATTENTION: Ce radiateur doit être utilisé à l'intérieur seulement !

REMARQUE

Le liant pour joint d'étanchéité utilisé dans ce radiateur émettra temporairement une odeur et/ou de la vapeur. Ces émanations cesseront au bout d'environ 20 minutes et ne se reproduiront plus. Voir le chapitre 2 pour l'aération

2. HEATER STARTUP

⚠ **AVERTISSEMENT:** Durant le démarrage du radiateur, assurez-vous que le bâtiment est bien ventilé

- A. Ouvrez le ou les robinets d'alimentation en gaz.
- B. Réglez le thermostat à la position OFF (fermé). Voir la figure 8

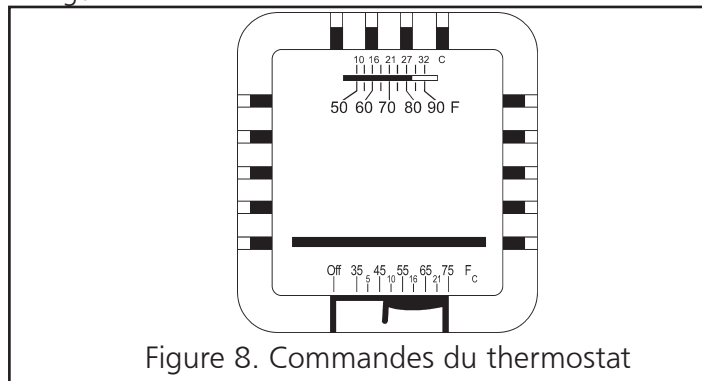


Figure 8. Commandes du thermostat

- C. Si le bouton de commande manuel sur la soupape de gaz n'est pas à la position OFF, enfoncez-le légèrement et tournez-le à la position OFF. Voir la figure 9.
- D. Attendez 5 minutes pour permettre la dissipation du gaz accumulé dans le brûleur principal (particulièrement important après l'installation).
- E. Tournez le bouton de commande manuel de gaz à la position PILOT (veilleuse).

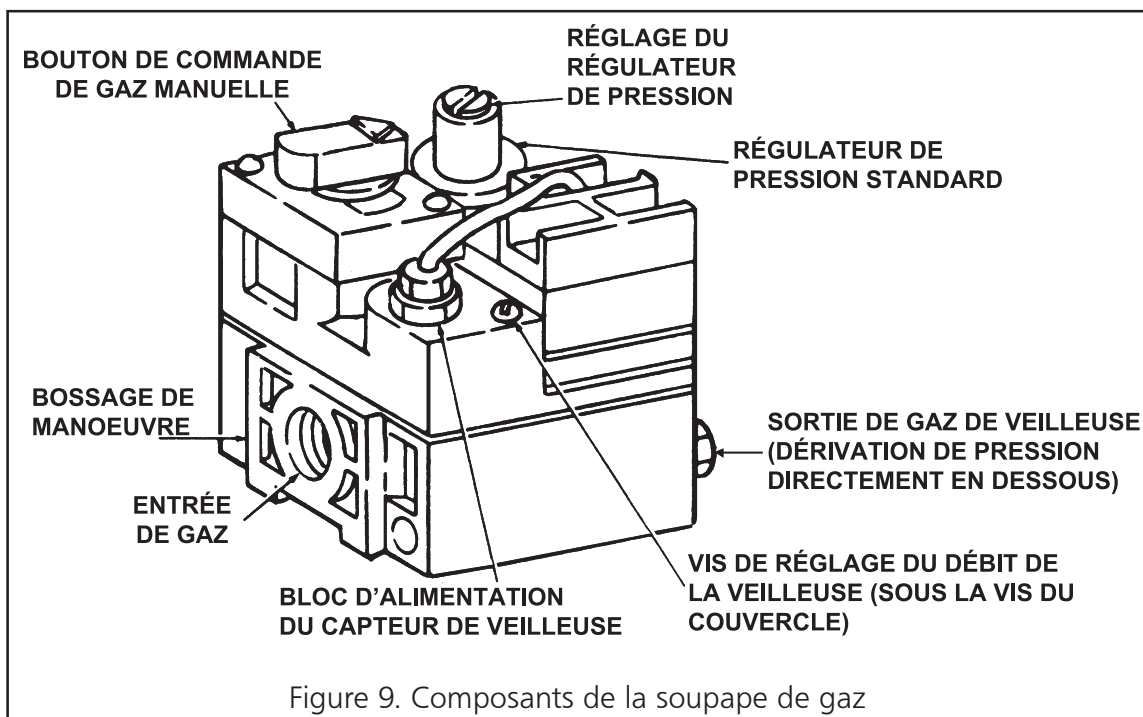


Figure 9. Composants de la soupape de gaz

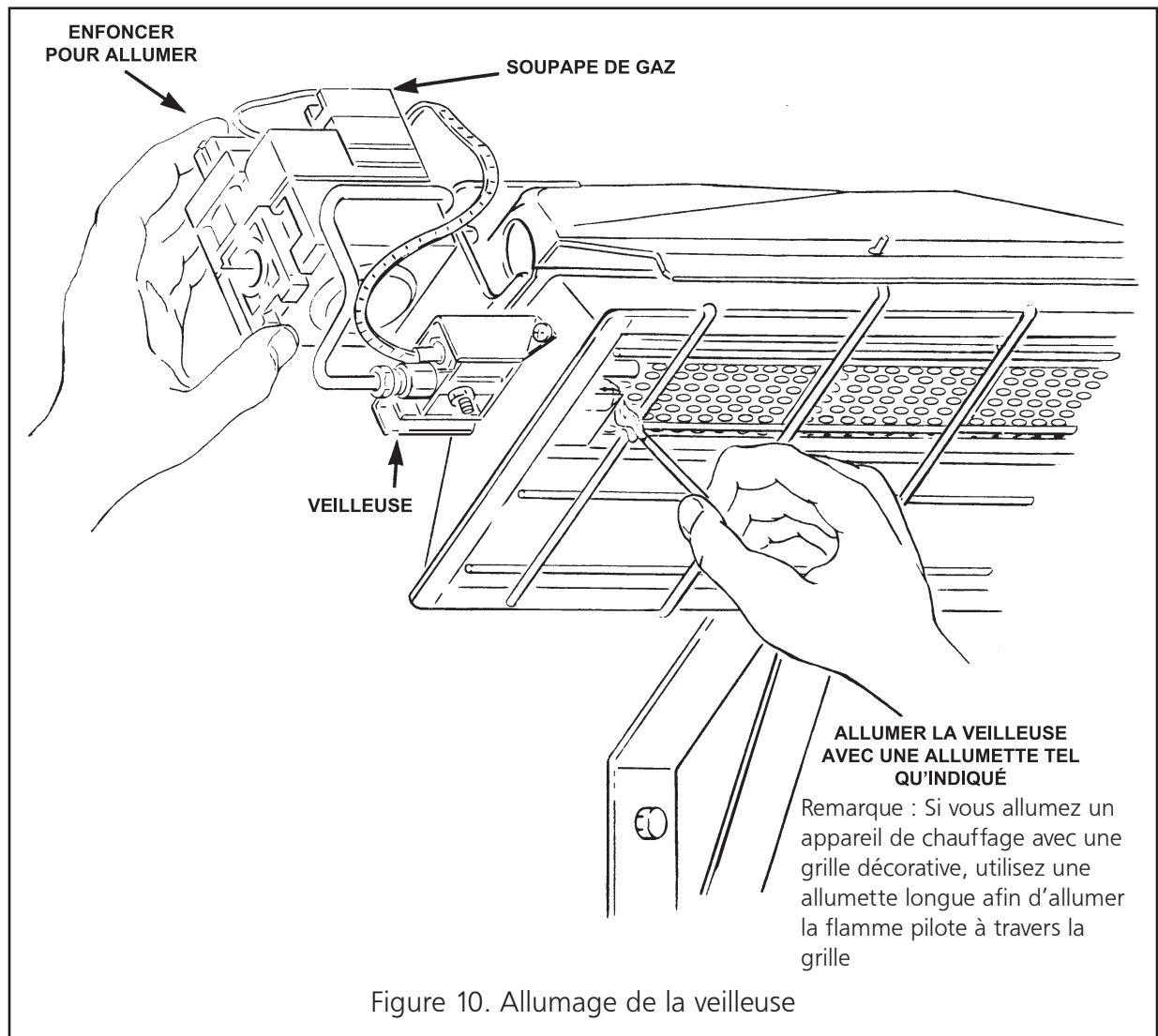
- F. Enfoncez le bouton de commande manuelle de gaz. Avec une allumette, allumez la veilleuse. Si vous allumez un appareil de chauffage avec une grille décorative, utilisez une allumette longue afin d'allumer la flamme pilote à travers la grille. Voir la figure 10. Tenez le bouton enfoncé pendant environ 30 secondes pour permettre à l'air présent dans les conduites de gaz de se rendre à la veilleuse et, une fois la veilleuse allumée, pour permettre au thermocouple de se réchauffer suffisamment pour ouvrir la soupape de sécurité.
- G. Relâchez le bouton de commande manuelle de gaz et mettez-le à ON (ouvert).
- H. Réglez le thermostat à la température désirée.

REMARQUE

Au démarrage initial du radiateur, une odeur et peut-être un peu de vapeur seront dégagées par le radiateur. Cette odeur et/ou cette vapeur proviennent du liant pour joint d'étanchéité. Au bout d'environ 20 minutes, elles disparaîtront définitivement.

3. ARRÊT DU RADIATEUR

- I. Mettez le thermostat hors fonction (OFF).
- J. Tournez le bouton de commande manuelle du gaz à la position PILOT (veilleuse).
- K. Enfoncez légèrement le bouton et tournez-le à la position OFF (arrêt).
- L. Fermez les robinets d'alimentation en gaz. Figure 10.



CHAPITRE 4



DIRECTIVES D'ENTRETIEN À L'INTENTION DE L'UTILISATEUR

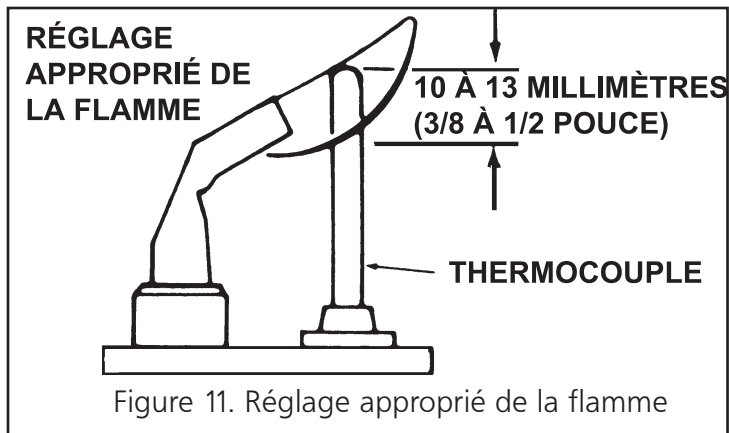
1. DÉPANNAGE

- A. Le tableau 4 énumère les défaillances courantes durant le fonctionnement ou l'entretien de votre radiateur.
- B. Pour plus de renseignements, consultez le bulletin technique Honeywell inclus dans la boîte du radiateur.
- C. Si toutes les solutions énumérées ne permettent pas de régler le problème, appelez l'usine.

2. RÉGLAGE DE LA FLAMME DE LA VEILLEUSE

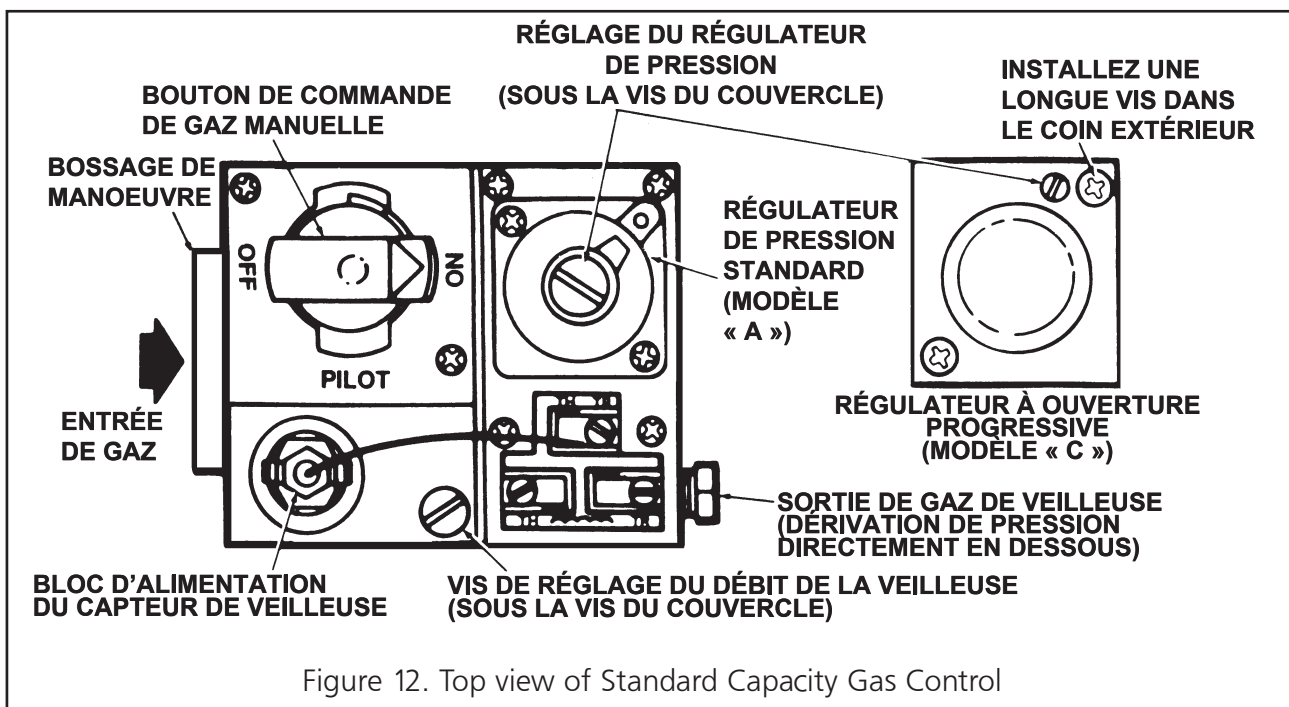
La flamme de la veilleuse doit envelopper 10 à 13 mm (3/8 à 1/2 po) de la pointe du thermocouple ou du générateur. Voir la figure 11. Pour le réglage:

- A. Déposez la vis du couvercle de réglage de la veilleuse. Voir la figure 12.
- B. Tournez la vis de réglage interne dans le sens horaire  pour réduire la flamme de la veilleuse et dans le sens antihoraire  pour l'augmenter.
- C. Remettez toujours la vis du couvercle après le réglage en la serrant bien pour assurer le bon fonctionnement de la veilleuse.



3. REMPLACEMENT DE LA SOUPEPE DE GAZ

- A. Déposez les deux fils étiquetés « PP » à la soupape de gaz.
- B. Dévissez la soupape de gaz du tuyau.
- C. Reconnectez la soupape de gaz et les fils de la soupape aux bornes « PP ». Assurez-vous de laisser le fil du thermostat sur une borne.



4. FRÉQUENCE DES INSPECTIONS PAR L'UTILISATEUR

Usage intermittent.

Les appareils utilisés sur une base saisonnière doivent être inspectés avant leur mise à l'arrêt et avant leur mise en fonction à la saison suivante.

Environnement poussiéreux, humide ou corrosif.

Puisque ce type d'environnement peut entraîner une détérioration rapide de la commande de gaz, le système doit être inspecté plus souvent. La commande de gaz doit être remplacée si:

- A. Elle ne fonctionne pas correctement lors de l'inspection ou du dépannage.
- B. Il est difficile de tourner ou d'enfoncer le bouton de la commande de gaz, ou si le bouton ne remonte pas lorsque relâché.

Tableau 4. Tableau de dépannage

Le tableau suivant présente différents symptômes d'un système défectueux, les causes possibles de ces symptômes et les mesures correctives suggérées. Le tableau suppose que la pression du gaz combustible est appropriée et que la procédure d'allumage est conforme à celle indiquée sur la plaque rattachée au radiateur.

SYMPTÔMES	CAUSES	SOLUTIONS
allumage très lent de la veilleuse	obturation partielle de l'orifice de la veilleuse	remplacer
	veilleuse mal réglée	régler de nouveau la veilleuse
allumage très lent de la veilleuse, la couleur de l'infrarouge demeure terne	obturation partielle de l'orifice de la veilleuse	remplacer
retour de flamme du brûleur (fonctionnement bruyant du radiateur et la surface de la grille en céramique est sombre)	pression insuffisante du gaz	corriger la pression dans la conduite ou appeler le fournisseur en gaz
	brûleur endommagé	remplacer
grille en céramique ou brûleur noirs de suie (alors qu'ils sont neufs ou viennent d'être nettoyés)	vérifier d'abord si l'orifice du brûleur est endommagé	remplacer si endommagé
	si l'orifice du brûleur n'est pas endommagé vérifier si le collecteur est endommagé	remplacer
impossible d'allumer la veilleuse	orifice de la veilleuse bloqué	remplacer
	robinet de gaz pas en position	le bouton du robinet doit être tourné à PILOT et tenu enfoncé
	la vis de réglage du débit de gaz à la veilleuse est peut-être fermée	ouvrir et régler (voir la figure 12)
la veilleuse s'allume puis s'éteint	thermocouple défectueux	remplacer
	commande défectueuse	remplacer
la veilleuse demeure allumée mais le brûleur principale ne s'allume pas	fils de raccordement relâchés ou inadéquats	serrer les connexions, vérifier mais le brûleur principal le schéma de câblage
	commande défectueuse	remplacer
	orifice du brûleur bloqué	nettoyer l'orifice ou remplacer
allumage impossible	gaz secteur coupé	ouvrir les robinets manuels
	air dans la conduite de gaz	purger la conduite de gaz
	fils de raccordement relâchés	serrer les fils de raccordement
	fils de raccordement encrassés	nettoyer et serrer les bornes

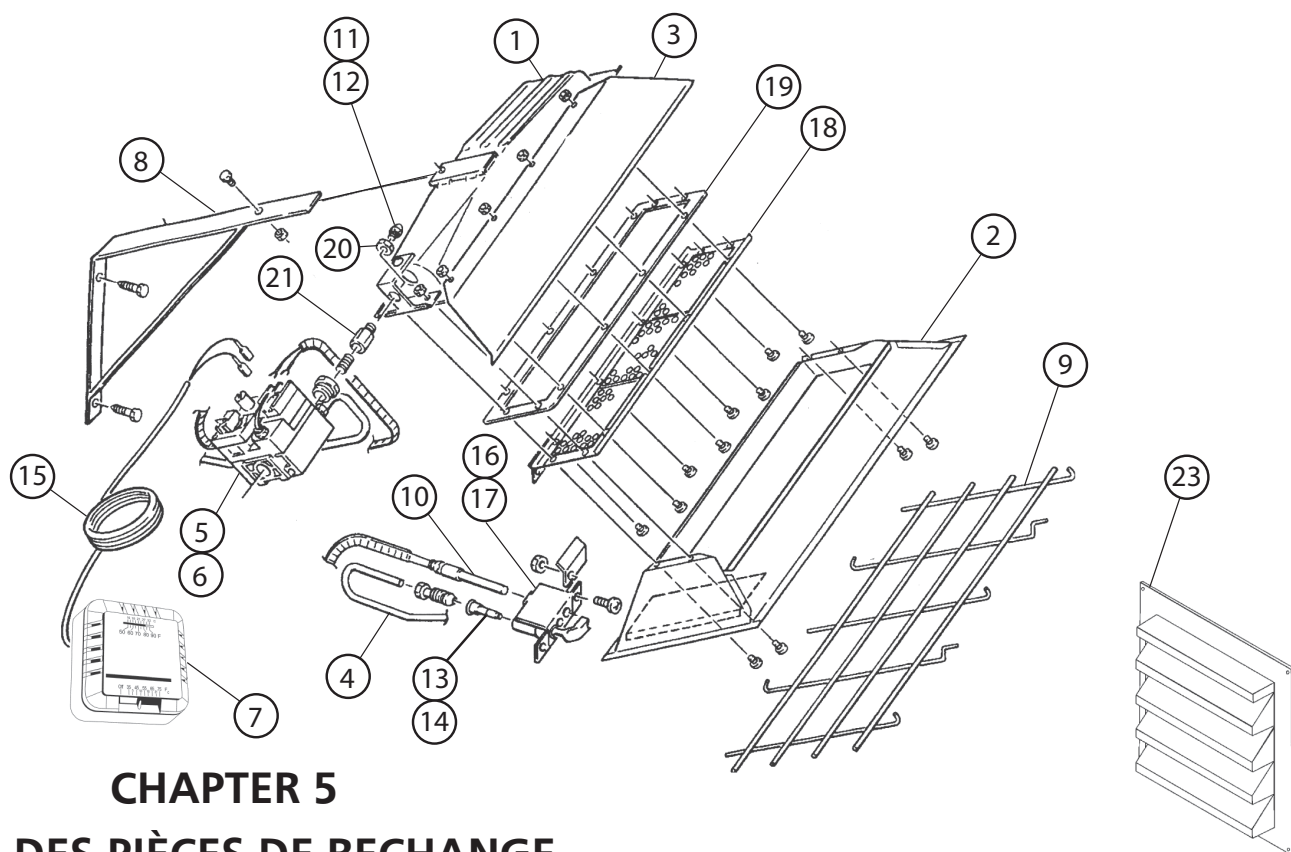
SI UNE RÉPARATION EST NÉCESSAIRE

NE RETOURNEZ PAS CET APPAREIL À VOTRE MAGASIN

Pour plus de renseignements sur les réparations, veuillez appeler notre numéro sans frais : 1-800-251-0001.

Nos heures d'ouverture sont de 8 h 30 à 17 h, HE, du lundi au vendredi.

Veuillez inclure le numéro de modèle, la date de l'achat et la description du problème dans toutes vos communications.



CHAPTER 5

LISTE DES PIÈCES DE RECHANGE

N.°	Pièce	DESCRIPTION
1	02529A	Ensemble complet de brûleur
2	00377A	Ensemble de réflecteur
3	01357	Déфлекteur de gaz de combustion
4	16451	Tube de veilleuse
5	00024	Vanne de gaz - gaz naturel
6	00025	Vanne de gaz - gaz propane
7	10367	Thermostat
8	14405	Support mural
9	04432	Grille de protection
10	09360	Thermocouple/générateur
11	05447	Orifice-brûleur-gaz naturel
12	05455	Orifice-brûleur-gaz propane
13	05576	Orifice-veilleuse-gaz naturel

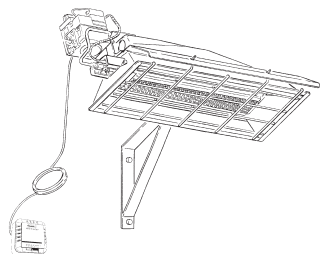
N.°	Pièce	DESCRIPTION
14	05573	Orifice-veilleuse-gaz propane
15	10358	Câble du thermostat
16	11406	Veilleuse GN naturel
17	11405	Veilleuse GN naturel
18	04435A	Grille de rechange
19	12369	Joint d'étanchéité
20	05354	Contre-écrou
21	05351	Connecteur
22	98593	Raccord simple 1 cm (3/8 po)
23	19014	Évent à lames

KITS DE CONVERSION EN OPTION	
Fourniment	DESCRIPTION
F200293	Pour conversions de gaz naturel - à G.P.L.
F200294	Pour conversions de G.P.L. - au - gaz naturel

KITS DE CONVERSION EN OPTION	
Fourniment	DESCRIPTION
F204435	Trousse de grille (La Grille, Des Vis, Clip de Rétention)
F204436	Trousse de rétro ajustement de grille (Réflecteur, La Grille, Des Vis, Clip de Rétention)

TOUTES LES RÉCLAMATIONS EN VERTU DE LA GARANTIE REQUIÈRENT UNE PREUVE D'ACHAT

LIRE ATTENTIVEMENT LES INSTRUCTIONS: VOTRE SÉCURITÉ EST IMPORTANTE POUR VOUS ET POUR LES AUTRES. Veuillez lire et suivre toutes les directives conservez ces instructions dans un endroit sécuritaire pour vous y référer ultérieurement. Ne permettez pas à quiconque n'ayant pas lu les présentes instructions d'assembler, d'allumer, de régler ou de faire fonctionner l'appareil de chauffage.

**AVERTISSEMENT:**

N'UTILISEZ QUE LES PIÈCES DE REMPLACEMENT DU FABRICANT. L'UTILISATION D'AUTRES PIÈCES RISQUE DE CAUSER DES BLESSURES ET LA MORT. LES PIÈCES DE REMPLACEMENT NE SONT OFFERTES QUE PAR LE FABRICANT ET DOIVENT ÊTRE INSTALLÉES PAR UNE ENTREPRISE SPÉCIALISÉE.

INFORMATIONS SUR LA COMMANDE DE PIÈCES:

ACHAT: On peut se procurer les accessoires par l'entremise de tous les détaillants locaux HEATSTAR ou directement du fabricant.

POUR OBTENIR DES INFORMATIONS SUR LE SERVICE:

Appelez sans frais au 866-447-2194 • www.heatstarbyenerco.com Nos heures d'ouverture sont de 8 h 30 à 17 h HE, du lundi au vendredi. Veuillez indiquer le numéro du modèle, la date d'achat et la description du problème dans toutes vos communications avec nous.

GARANTIE LIMITÉE

L'entreprise garantit ce produit contre tout défaut de matériel ou de main-d'oeuvre, dans des conditions d'utilisation normale et adéquate, conformément aux instructions de l'entreprise, pour une période de un an à compter de la date de livraison à l'acheteur. L'entreprise réparera ou remplacera, à sa discrétion, les produits retournés port payé par l'acheteur au fabricant dans la période de un an et jugés par l'entreprise comme présentant des défauts de matériel ou de main-d'oeuvre.

Si une pièce est endommagée ou manquante, téléphonez à notre service de soutien technique au 866-447-2194. Adressez toute réclamation relative à la garantie à Service Department, HEATSTAR, 4560 W. 160TH ST., CLEVELAND, OHIO 44135 États-Unis. Indiquez vos nom, adresse et numéro de téléphone ainsi que les détails de la réclamation. Indiquez-nous également la date d'achat et le nom et l'adresse du détaillant de qui vous avez acheté le produit.

Ce qui est énoncé ci-dessus constitue la responsabilité totale de l'entreprise. Il n'existe aucune autre garantie, expresse ou tacite. Plus précisément, il n'y a aucune garantie concernant l'adéquation à une utilisation particulière ni aucune garantie concernant la qualité marchande. En aucun cas l'entreprise ne saura être tenue responsable des retards causés par des déficiences, ni des dommages indirects, ni des dépenses encourues sans son consentement écrit, quelle que soit leur nature. Le coût de la réparation ou du remplacement sera le seul recours possible en cas de violation de garantie. Il n'y a aucune garantie contre une transgression de ce genre ni aucune garantie tacite découlant des usages du commerce ou de la façon habituelle d'échanger. La présente garantie ne s'applique à aucun produit qui a été réparé ou modifié par d'autres que le fabricant si cela influe de quelque façon que ce soit sur la condition de l'appareil ou son fonctionnement, selon notre jugement. Certains États ou provinces ne permettent pas d'exclure ou de limiter les dommages indirects ou subséquents. Par conséquent, les limitations ou exclusions ci-dessus mentionnées ne vous concernent peut-être pas. La présente garantie vous accorde des droits juridiques précis, mais vous pourriez avoir d'autres droits qui varient selon la province ou l'État.

HEATSTAR. se réserve le droit d'effectuer des modifications en tout temps, sans préavis ni obligation, aux couleurs, aux spécifications, aux accessoires, aux matériaux et aux modèles.



ENREGISTREMENT DU PRODUIT : Nous vous remercions de votre achat. Veuillez vous connecter à <http://www.egiregistration.com> pour enregistrer votre produit.

Mr. Heater Corporation, 4560 W. 160TH ST., CLEVELAND, OHIO 44135 • 800-251-0001

Mr. Heater is a registered trademarks of Mr. Heater, Inc.

© 2018, Mr. Heater. Tous droits réservés