



BASO Gas Products LLC

G93 Series BASOTROL® Automatic Combination Gas Valve with Regulator



Description

The G93 Series gas valve combines the automatic pilot valve, pressure regulator, and automatic gas valve functions in one valve. Typical applications include commercial cooking equipment, heaters, agricultural equipment, and similar applications. The G93 valve can be used with natural gas or LP gas at pressures up to 0.5 psi and come with an adjustable regulator which is field convertible with a conversion kit. The G93 is available with various voltages and cover options. The optional rotor “B” valve allows for pilot flame adjustment.

Specifications

- Maximum inlet pressure is 0.5 psi
- G93AXX Natural Gas Capacity Btu/hr at 1 in. pressure drop is 190,000
- G93HSB-1 Natural Gas Capacity Btu/hr at 1 in. pressure drop is 170,000
- Permissible ambient (surface) temperature is 32 to 155°F (0 to 68°C)

Agency Listing

- CSA (AGA/CGA) Certificate Number 229521-1656066 (*excludes G93HSB-1)
- UL Recognized File Number MH2926

Electrical Connections

- #18 AWG stranded wire or 1/4 in. male quick-connect terminals

To Order

To order genuine BASO products, call 1-877-227-6427 (1-877-BASOGAS). Specify the code number from the following selection chart. The G93 valves are factory set for natural gas. For LP gas, order the correct conversion kit. Order the correct model for your requirements.

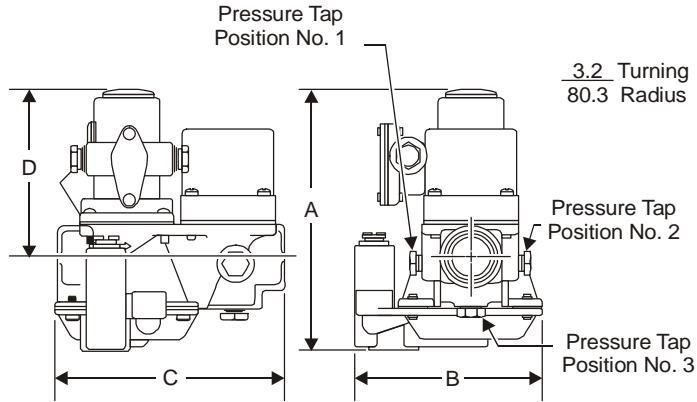
Other configurations can be made available. Contact BASO Gas Products for Availability of products not shown.

Selection Chart

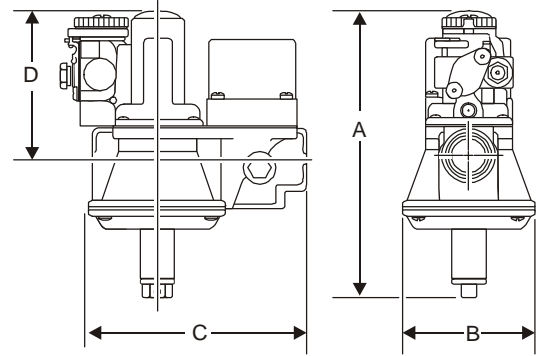
| Code Number | Inlet and Outlet Female NPT | VAC (60 Hz) | Pilot Tap (in.) | Pressure Tap (in.) | Regulator Adjustment Location/Rotor “B” Valve | Electrical Connection |
|-------------|-----------------------------|-------------|-----------------|--------------------|---|-----------------------|
| G93AAA-16 | 1/2 in. x 1/2 in. | 120 | 1/4 cc left | 1/8-27 NPT bottom | Top/No | 1/4 in. male spade |
| G93AAB-2 | | 120 | 1/4 cc left | None | Top/Yes | 30 in. leads |
| G93AAB-6 | | 120 | 1/4 cc left | 1/8-27 NPT bottom | Top/Yes | 30 in. leads |
| G93ABA-6 | | 240 | 1/8-27 NPT left | None | Top/No | 24 in. leads |
| G93ABA-9 | | 240 | 1/4 cc left | None | Top/No | 20 in. leads |
| G93ABA-11 | | 240 | 1/4 cc left | 1/8-27 NPT bottom | Top/No | 1/4 in. male spade |
| G93AGB-1 | | 25 | 1/4 cc right | None | Top/Yes | 1/4 in. male spade |
| G93AGB-6 | | 25 | 1/4 cc right | 1/8-27 NPT bottom | Top/Yes | 30 in. leads |
| G93ASL-4 | | 208/240 | 1/4 cc left | 1/8-27 NPT bottom | Bottom/No | 30 in. leads |
| *G93HSB-1 | | 208/240 | 1/4 cc right | None | Top/Yes | 30 in. leads |

Conversion Kit Selection Chart

| Conversion Kit | Regulator Location Adjustment | Part Number |
|--|-------------------------------|-------------|
| Conversion Kit for Regulation to Non-Regulation | Top or Bottom | Y71AA-5 |
| Conversion Kit for 6 to 12 in. W.C. (15 to 30 mbar) Regulation | Top | Y71GF-4 |
| Conversion Kit for 8 to 12 in. W.C. (20 to 30 mbar) Regulation | Bottom | Y71GF-3 |



**Top Adjust Regulator Model
Showing Optional Pressure Tap Positions**

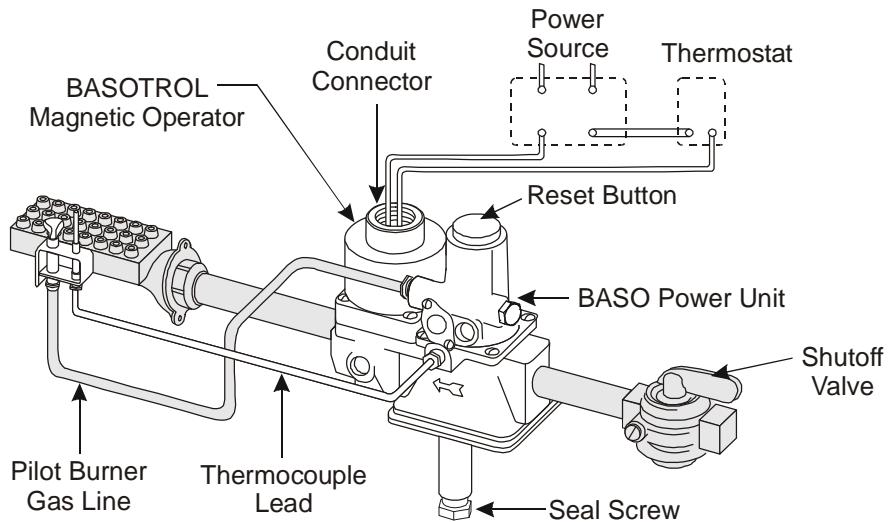


Bottom Adjust Regulator Model

G93 Dimensions

Dimensions

| Series Number | A Height | | B Width | | C Length | | D Height | |
|-----------------------------|----------|-----|---------|----|----------|-----|----------|----|
| | in. | mm | in. | mm | in. | mm | in. | mm |
| Top Adjust Regulator G93 | 4.84 | 123 | 3.42 | 87 | 4.23 | 107 | 3.19 | 81 |
| Bottom Adjust Regulator G93 | 5.66 | 144 | 2.66 | 67 | 4.23 | 107 | 3.19 | 81 |



Typical Installation Showing Rotor "B" Valve