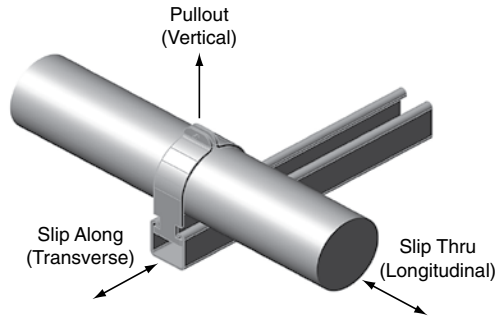
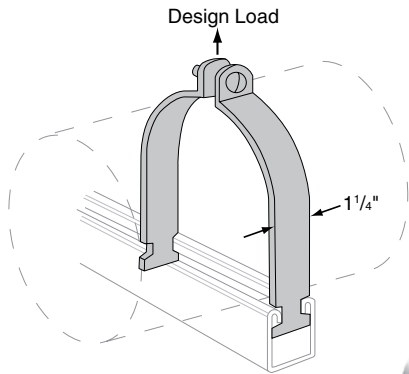


AS 1100AS

EG SS ZTC

RIGID STEEL CONDUIT AND PIPE CLAMPS

Also For IMC and GRC.



PRE-ASSEMBLED RIGID STEEL CONDUIT CLAMPS AND PIPE CLAMPS

Size	O.D. Size	Load Rating	Std Pkg	Wt/100 pcs
3/8"	0.675	400	100	10
1/2"	0.840	400	100	11
3/4"	1.050	600	100	15
1	1.315	600	100	17
1 1/4"	1.660	600	100	19
1 1/2"	1.900	800	50	29
2"	2.375	800	50	34
2 1/2"	2.875	800	50	40
3	3.500	800	50	47
3 1/2"	4.000	1000	25	62
4"	4.500	1000	25	67
5"	5.563	1000	25	80
6"	6.625	1000	25	102
8"	8.625	1000	25	130
10"	10.750	1000	25	143
12"	12.750	1000	25	174

Nominal Pipe Size	Average Ultimate Loads			Design Loads		
	Slip Thru (lbs)	Slip Along (lbs)	Pullout (lbs)	Slip Thru (lbs)	Slip Along (lbs)	Pullout (lbs)
1/2"	638	231	2,721	213	77	907
3/4"	427	507	2,975	142	169	992
1	394	523	2,417	131	174	806
1 1/4"	1,061	450	3,480	354	150	1,160
1 1/2"	1,004	1,007	4,693	335	336	1,564
2"	1,216	1,518	4,715	405	506	1,572
2 1/2"	862	1,645	4,830	287	548	1,610
3	1,488	1,357	3,952	496	452	1,317
3 1/2"	1,302	1,593	4,470	434	531	1,490
4"	1,555	1,727	4,516	518	576	1,505
5"	1,232	1,702	3,938	411	567	1,313
6"	1,219	1,689	4,592	406	563	1,531
8"	1,741	1,992	6,053	580	664	2,018

Std Pkg & Wt/100 pcs: See chart above.

LEGEND:

GR: Powder Coated Supr-Green EG: Electro-Galvanized AL: Aluminum HG: Hot Dipped Galvanized PL: Plain SS: Stainless Steel ZTC: Zinc Trivalent Chromium

PROJECT INFORMATION		APPROVAL STAMP	
Project:		<input type="checkbox"/> Approved	
Address:		<input type="checkbox"/> Approved as noted	
Contractor:		<input type="checkbox"/> Not approved	
Engineer:		Remarks:	
Submittal Date:			
Notes 1:			
Notes 2:			