

LEGEND:

GR: Powder Coated Supr-Green **EG:** Electro-Galvanized **PG:** Pre-Galvanized **AL:** Aluminum **HG:** Hot Dipped Galvanized **PL:** Plain **SS:** Stainless Steel **ZTC:** Zinc Trivalent Chromium

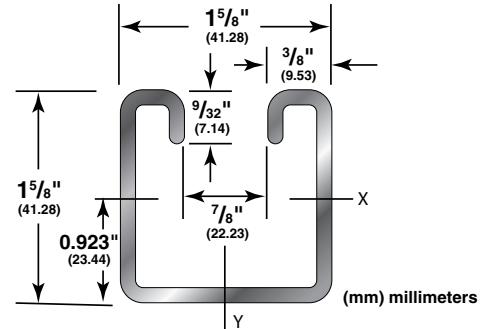
AS 200

1⁵/₈" X 1⁵/₈"

12 Gauge Channel wt./100 ft. - 194#

Stocked in pre-galvanized, plain and powder coated Supr-Green, in both 10 and 20 ft. lengths. Other materials, finishes and lengths are available upon request.

See page 16 for welded combinations.



PROPERTIES OF SECTION

I = Moment of Inertia S = Section Modulus r = Radius of Gyration

	Wt./Ft.		Area of Section		X-X Axis						Y-Y Axis					
	Lbs	kg	Sq. In.	Sq. Cm.	I in ⁴	I cm ⁴	S in ³	S cm ³	r in.	r cm.	I in ⁴	I cm ⁴	S in ³	S cm ³	r in.	r cm.
AS 200	1.94	0.88	0.544	3.510	0.180	7.492	0.195	3.195	0.575	1.461	0.233	9.698	0.287	4.703	0.655	1.664
AS 200BTB	3.88	1.76	1.088	7.019	0.896	37.294	0.570	9.341	0.908	2.306	0.466	19.396	0.574	9.406	0.655	1.664



AS 200 BEAM AND COLUMN LOADS

Span or Column	Anvil-Strut™ Catalog #	Max Load of Column Loaded @ C.G.	Static Beam Load (X-X Axis)							
			Allowable Uniform Load @ 25,000 PSI (1758 Kg/cm ²)		Deflection @ 25,000 PSI (1758 Kg/cm ²)		Uniform Load @ 1/240		Uniform Load @ 1/360	
			Lbs	kg	Lbs	kg	In	mm	Lbs	kg
12 305	AS 200	7,109 3,225	3,249	1,474	0.014	0.356	**	**	**	**
	AS 200 BTB	14,862 6,741	2,610***	1,184	0.008	0.203	**	**	**	**
18 457	AS 200	6,549 2,971	2,166	982	0.031	0.787	**	**	**	**
	AS 200 BTB	14,402 6,533	2,610***	1,184	0.018	0.457	**	**	**	**
24 610	AS 200	5,938 2,693	1,625	737	0.055	1.397	**	**	**	**
	AS 200 BTB	13,919 6,314	2,610***	1,184	0.032	0.813	**	**	**	**
30 762	AS 200	5,337 2,421	1,300	590	0.086	2.184	**	**	1,257	570
	AS 200 BTB	13,473 6,111	2,610***	1,184	0.050	1.270	**	**	**	**
36 914	AS 200	4,771 2,164	1,083	481	0.124	3.150	**	**	873	396
	AS 200 BTB	13,090 5,938	2,610***	1,184	0.072	1.829	**	**	**	**
42 1,067	AS 200	4,242 1,924	928	421	0.169	4.293	**	**	641	291
	AS 200 BTB	12,771 5,793	2,610***	1,184	0.099	2.515	**	**	**	**
48 1,219	AS 200	3,745 1,699	812	368	0.220	5.588	737	334	491	223
	AS 200 BTB	12,511 5,675	2,610***	1,184	0.129	3.277	**	**	**	**
60 1,524	AS 200	3,012 1,366	650	295	0.344	8.738	471	214	314	142
	AS 200 BTB	11,685 5,300	1,899	861	0.202	5.131	**	**	1,566	710
72 1,829	AS 200	2,514 1,140	542	246	0.496	12.598	327	148	218	99
	AS 200 BTB	10,078 4,571	1,582	718	0.291	7.391	**	**	1,087	493
84 2,134	AS 200	2,136 969	464	210	0.675	17.145	240	109	160	73
	AS 200 BTB	8,180 3,710	1,356	615	0.396	10.058	1,199	544	799	362
96 2,438	AS 200	1,834 832	406	184	0.882	22.403	184	83	123	56
	AS 200 BTB	6,291 2,854	1,187	538	0.517	13.132	917	416	611	277
108 2,743	AS 200	1,585 719	361	164	1.116	28.346	145	66	97	44
	AS 200 BTB	4,971 2,255	1,055	479	0.655	16.657	725	329	483	219
120 3,048	AS 200	* *	325	147	1.378	35.001	117	53	78	35
	AS 200 BTB	4,026 1,826	949	430	0.808	20.523	587	266	391	177
180 4,572	AS 200	* *	217	98	3.099	78.715	52	24	35	16
	AS 200 BTB	* *	633	287	1.819	46.203	261	118	174	79
240 6,096	AS 200	* *	163	74	5.510	139.954	29	13	19	9
	AS 200 BTB	* *	474	215	3.233	82.118	147	67	98	44

For Beam and Column Loading Data and load reduction information for channel with holes and concentrated loads, see notes on page 17.

AS 200 PL, GR, PG, Other _____


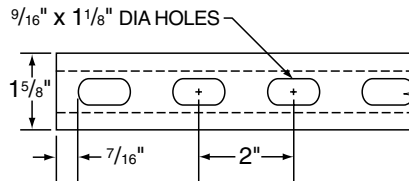
SOLID

Wt/100 Ft: 190 lbs.

AS 200EH PL, GR, PG, Other _____


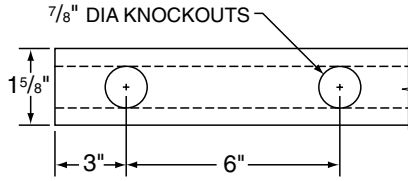
WITH ELONGATED HOLES

Wt/100 Ft: 185 lbs.

AS 200KO PL, GR, PG, Other _____


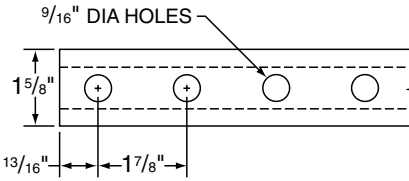
WITH KNOCK OUT

Wt/100 Ft: 190 lbs.

AS 200H PL, GR, PG, Other _____


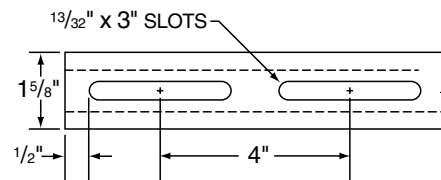
WITH HOLES

³/₄" dia. holes available AS 200H MOD
Wt/100 Ft: 186 lbs.

AS 200S PL, GR, PG, Other _____


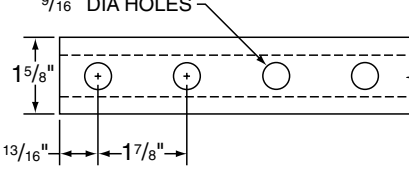
WITH LONG SLOTS

Wt/100 Ft: 185 lbs.

AS 200H3 PL, GR, PG, Other _____

WITH HOLES ON ALL 3 SIDES

Holes on all three sides are 1 7/8" on center.
Wt/100 Ft: 179 lbs.


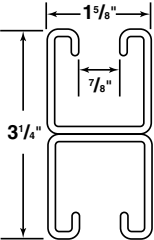
LEGEND:

GR: Powder Coated Supr-Green EG: Electro-Galvanized PG: Pre-Galvanized AL: Aluminum HG: Hot Dipped Galvanized PL: Plain SS: Stainless Steel ZTC: Zinc Trivalent Chromium

PROJECT INFORMATION		APPROVAL STAMP	
Project:		<input type="checkbox"/> Approved	
Address:		<input type="checkbox"/> Approved as noted	
Contractor:		<input type="checkbox"/> Not approved	
Engineer:		Remarks:	
Submittal Date:			
Notes 1:			
Notes 2:			

AS 200BTB PL, GR, PG, Other _____


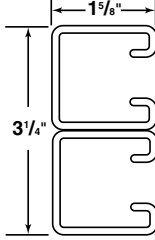
WELDED

Wt/100 Ft: 380 lbs.

AS 200STS PL, GR, PG, Other _____


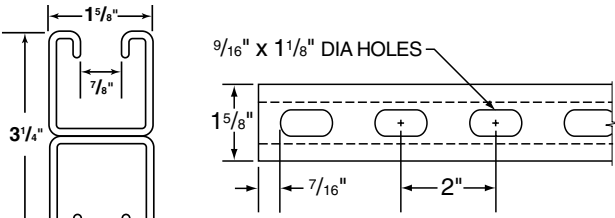
WELDED

Wt/100 Ft: 380 lbs.

AS 200EH BTB PL, GR, PG, Other _____


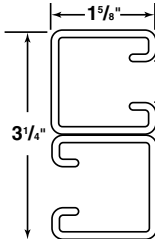
WELDED WITH ELONGATED HOLES

Wt/100 Ft: 370 lbs.

AS 200STSR PL, GR, PG, Other _____


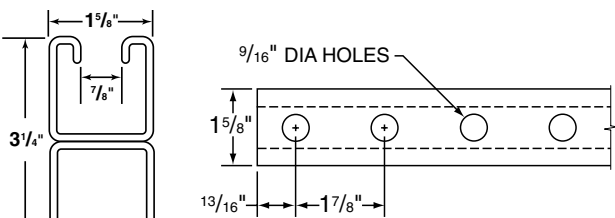
WELDED

Wt/100 Ft: 380 lbs.

AS 200H BTB PL, GR, PG, Other _____


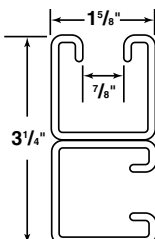
WELDED WITH HOLES

Wt/100 Ft: 372 lbs.

AS 200BTS PL, GR, PG, Other _____

WELDED

Wt/100 Ft: 380 lbs.

LEGEND:

GR: Powder Coated Supr-Green EG: Electro-Galvanized PG: Pre-Galvanized AL: Aluminum HG: Hot Dipped Galvanized PL: Plain SS: Stainless Steel ZTC: Zinc Trivalent Chromium

PROJECT INFORMATION		APPROVAL STAMP
Project:		<input type="checkbox"/> Approved
Address:		<input type="checkbox"/> Approved as noted
Contractor:		<input type="checkbox"/> Not approved
Engineer:		Remarks:
Submittal Date:		
Notes 1:		
Notes 2:		