



H17 Series BASO® Automatic Shutoff Pilot Gas Valve

The H17 Series automatic pilot valves provide safe lighting and complete shutoff in the event that the flame heating the thermocouple is extinguished. They are designed for standing pilot applications and can be used with natural gas and Liquefied Petroleum (LP) gas. Depressing the reset button allows gas to flow to both the pilot and main burner. Applications include room heaters, infrared heaters, stand-alone portable heaters, catalytic heaters, refrigerators, and similar applications.

H17 models are also available with a higher ambient temperature, up to a maximum of 300°F (149°C), for use on commercial ovens, broilers, and other applications.



Figure 1: H17 Automatic Pilot Valve

Features and Benefits	
<input type="checkbox"/> Compact Design	Permits installation in dimensionally restricted applications
<input type="checkbox"/> Versatile Mounting	Allows easy access to the reset button for lighting
<input type="checkbox"/> Reliable	Proven by thousands of units in service

Product Overview

Application

The H17 Series valves provide complete shutoff in the event that the flame heating the thermocouple is extinguished. They are suitable for use with natural gas, LP gas, or LP gas-air mixtures at pressures up to 0.5 psi (35 mbar). The H17 is suitable for operation over a temperature range of -40 to 150°F (-40 to 66°C) for standard models. High temperature models are suitable for operation over a temperature range of -40 to 300°F (-40 to 149°C).

Description

H17 valves are compact, straight-through aluminum valves with pipe sizes from 1/8 to 1/2 inch.

H17 valves do not have a flow interrupter, therefore, gas flows to both the main burner and pilot burner (if used) when the reset button is depressed. Where a pilot is not used, the pilot outlet is omitted and the tip of the thermocouple is inserted directly in the main burner flame.

Mounting

H17 valves may be mounted in any position. This permits the reset button to be located in the most accessible location.

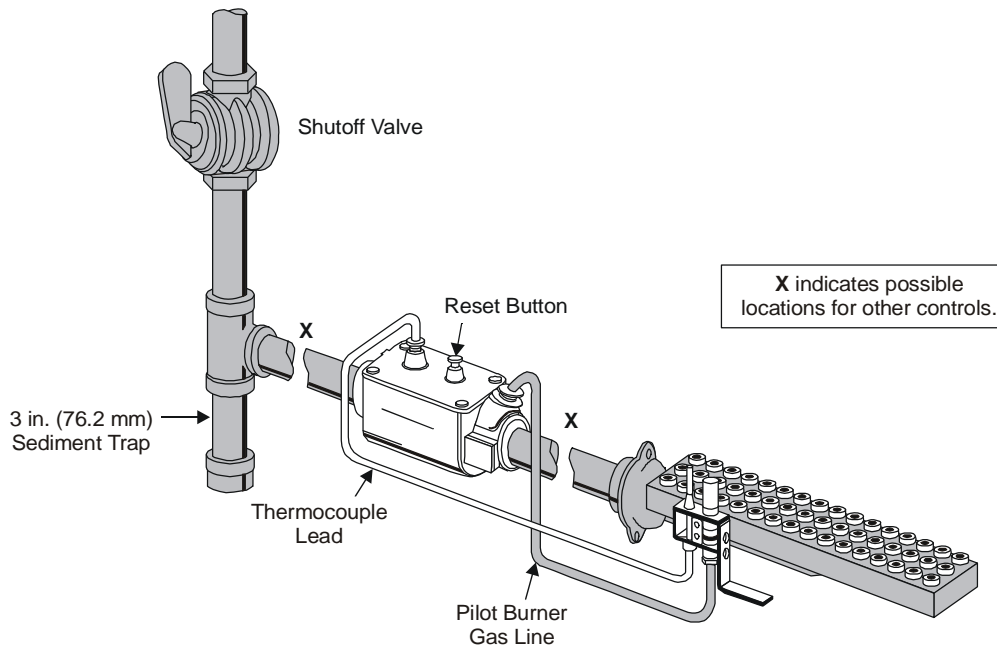


Figure 1: Typical H17 Installation

Dimensions

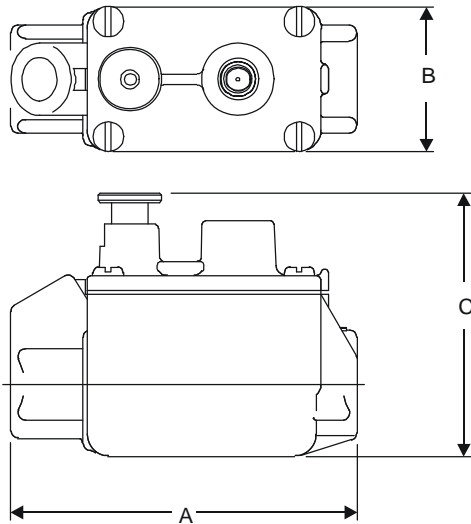


Figure 2: H17A, B, C_ Dimension Drawing

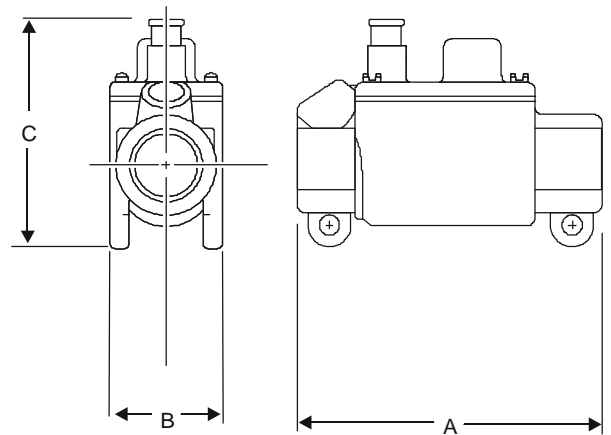


Figure 3: H17D_ Dimension Drawing

Table 1: Maximum Ambient Temperatures and Dimensions

Product Number	Maximum Ambient Temperature		A Maximum Length		B Maximum Width		C Maximum Height	
	°F	°C	in.	mm	in.	mm	in.	mm
H17AA	150	66	3	76	1.25	32	2.28	58
H17AB	300	149						
H17BA	150	66						
H17BB	300	149						
H17CA	150	66						
H17CB	300	149						
H17DA	150	66	3.43	87	1.25	32	2.62	67
H17DB	300	149	3.43	87	1.25	32	2.62	67

Ordering Information

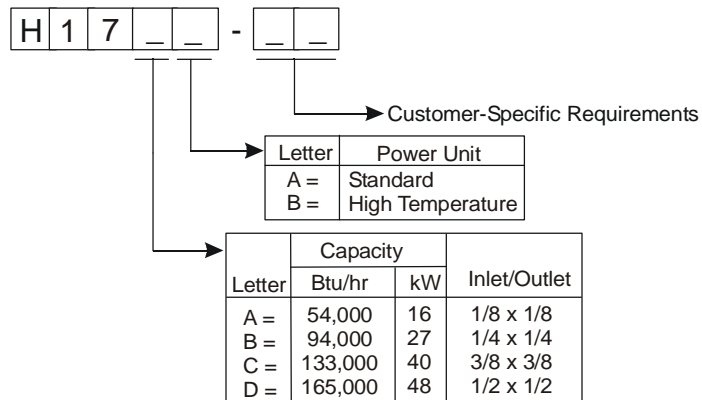


Figure 4: Ordering Matrix

Technical Specifications

Product	H17 BASO Automatic Pilot Valves
Maximum Operating Pressure	0.5 psi (35 mbar)
Valve Body	Aluminum
Permissible Ambient (Surface) Temperature	(-40 to 150°F) (-40 to 66°C) standard models (-40 to 300°F) (-40 to 149°C) high temperature models
Recommended Thermocouple Lead Lengths	K15: 12 to 48 in. (305 to 1,220 mm) K16: 12 to 72 in. (305 to 1,830 mm) K19: 18 to 72 in. (457 to 1,830 mm)
Inlet/Outlet Pipe Size	1/8, 1/4, 3/8, and 1/2 in. NPT
Types of Gas	Natural, Liquefied Petroleum (LP), or LP gas-air mixtures
Packaging	Bulk pack supplied to original equipment manufacturer (individual pack optional)
Bulk Pack Quantity	60
Bulk Pack Weight	27 lb (12 kg)
Agency Listing	CSA (AGA, CGA) Certificate Number 229521-1656088 UL File Number MH2926 (H17AA, BA, and CA only)
Specification Standards	ANSI Z21.20, CAN1-6.4 ANSI Z21.21, CSA 6.5 UL Standard 372

Performance specifications are nominal and conform to acceptable industry standards. All agency certification of BASO products is performed under dry and controlled indoor environmental conditions. Use of BASO products beyond these conditions is not recommended and may void the warranty. Product must be protected if exposed to water (dripping, spraying, rain, etc.) or other harsh environments. The original equipment manufacturer or end user is responsible for the correct application of BASO products. Consult BASO Gas Products LLC for questionable applications. BASO Gas Products LLC shall not be liable for damages or product malfunctions resulting from misapplication or misuse of its products.

Refer to the *H17 Series BASO® Automatic Shutoff Pilot Gas Valve Installation Instructions (Part No. BASO-INS-H17)* for necessary information on the installation, use, and servicing of this product.



BASO Gas Products LLC

1007 South 12th Street
PO Box 170
Watertown, WI 53094
1-877-227-6427 (1-877-BASOGAS)

www.baso.com
Printed in U.S.A.