

GUH/GDD96C

SPECIFICATIONS

Configurations

- Upflow / Horizontal
- Downflow

Heat Exchanger Design

- Aluminized steel design primary heat exchanger with crimped no weld construction
- AL 29-4C Stainless steel secondary heat exchanger

Burner

- Aluminized steel inshot burners for smooth ignition

Cabinet Design

- Compact 33" height
- Standardized widths for easy coil fit

Air Delivery System

- Multi-speed high efficiency (constant torque) blower motor
- Easily removable slide out blower design
- Enhanced cooling SEER ratings when applied with properly matched cooling equipment

Controls

- Single Stage Gas Valve
- Durable silicon nitride ignitor
- Self diagnostics saves last 5 fault codes regardless of power interruption
- Control features electronic air cleaner and humidifier terminals

Venting

- Designed certified for direct (2-pipe) and non direct (1-pipe) applications
- Easily vented with PVC pipe

Installation Features

- Left or right utility connection
- Designed certified for direct and non-direct vent applications
- Zero step horizontal conversion
- Removable floor base (upflow / horizontal units) for bottom return air
- Complies with California's South Coast Air Quality Management district Low NOx requirements

Comfort-Aire®

SINGLE STAGE CONSTANT TORQUE GAS FURNACE

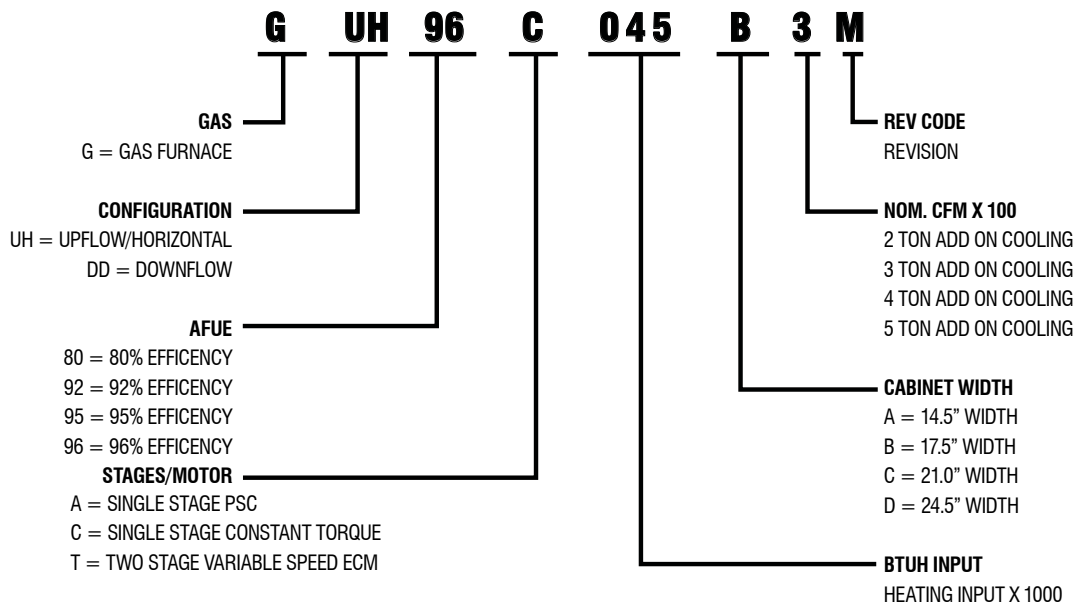
96% AFUE



Warranty

Standard warranty or Extended warranty available with product registration. See warranty document for details or visit www.marsdelivers.com

MODEL NUMBER GUIDE



PHYSICAL AND ELECTRICAL DATA

	Model	Input (Btuh)	Output (Btuh)	AFUE (ICS) %	Nom. Cooling Capacity	Gas Inlet (in.)	Volts/ Hz/ Phase	Max. Time Delay Breaker or Fuse	Nominal F.L.A.	Trans. (V.A.)	Approx. Shipping Weight (lbs.)
UPFLOW/HORIZONTAL	GUH96C045B3M	44,000	42,800	96.0%	3 Ton	1/2	120 - 60 - 1	15	6.8	40	124
	GUH96C070B3M	66,000	63,900	96.0%	3 Ton	1/2	120 - 60 - 1	15	6.8	40	129
	GUH96C090C4M	88,000	85,600	96.0%	4 Ton	1/2	120 - 60 - 1	15	8.4	40	152
	GUH96C110C5M	110,000	107,200	96.0%	5 Ton	1/2	120 - 60 - 1	15	10.9	40	164
	GUH96C135D5M	132,000	127,000	96.0%	5 Ton	1/2	120 - 60 - 1	15	10.9	40	174
DOWNFLOW	GDD96C045B3M	44,000	42,000	96.0%	3 Ton	1/2	120 - 60 - 1	15	6.8	40	126
	GDD96C070B4M	66,000	64,000	96.0%	4 Ton	1/2	120 - 60 - 1	15	8.4	40	139
	GDD96C090C4M	88,000	86,000	96.0%	4 Ton	1/2	120 - 60 - 1	15	8.4	40	154
	GDD96C110C5M	110,000	108,000	96.0%	5 Ton	1/2	120 - 60 - 1	15	10.9	40	162

Note: For vent length and clearances to combustibles, please reference installation instructions.



Comfort-Aire®

BLOWER PERFORMANCE DATA UPFLOW / HORIZONTAL

GUH96C045B3M PERFORMANCE (Less Filter)

External Static Pressure in. w.c.	Temp Rise Rise Range °F	Air Volume / Watts at Various Blower Speeds									
		High		Medium-High		Medium		Medium-Low		Low	
		cfm	Watts	cfm	Watts	cfm	Watts	cfm	Watts	cfm	Watts
0.00	35-65	1460	335	1285	235	1190	170	910	85	870	75
0.10		1430	350	1260	245	1155	185	885	95	830	85
0.20		1405	365	1235	255	1125	200	860	105	800	90
0.30		1375	370	1205	265	1090	210	825	115	755	95
0.40		1350	380	1175	275	1055	215	780	125	710	105
0.50		1315	385	1145	285	1020	230	735	130	665	115
0.60		1245	375	1110	295	980	240	685	140	620	125
0.70		N/A	N/A	1070	305	940	250	640	145	575	135
0.80		N/A	N/A	1020	310	905	260	600	155	530	140

GUH96C070B3M PERFORMANCE (Less Filter)

External Static Pressure in. w.c.	Temp Rise Rise Range °F	Air Volume / Watts at Various Blower Speeds									
		High		Medium-High		Medium		Medium-Low		Low	
		cfm	Watts	cfm	Watts	cfm	Watts	cfm	Watts	cfm	Watts
0.00	35-65	1445	315	1315	215	1215	165	930	85	925	75
0.10		1445	335	1275	230	1170	180	905	94	860	80
0.20		1415	345	1240	240	1125	190	870	101	800	85
0.30		1380	355	1205	250	1090	200	830	109	760	95
0.40		1345	370	1175	265	1055	210	790	117	710	105
0.50		1315	385	1150	280	1020	220	735	129	665	115
0.60		1275	390	1110	290	985	230	685	137	625	125
0.70		1210	395	1075	300	950	240	640	146	565	130
0.80		N/A	N/A	1030	305	915	250	595	148	535	135

GUH96C090C4M PERFORMANCE (Less Filter)

External Static Pressure in. w.c.	Temp Rise Rise Range °F	Air Volume / Watts at Various Blower Speeds									
		High		Medium-High		Medium		Medium-Low		Low	
		cfm	Watts	cfm	Watts	cfm	Watts	cfm	Watts	cfm	Watts
0.00	50-80	1765	375	1535	250	1410	180	1315	155	1155	115
0.10		1735	390	1500	260	1365	200	1270	165	1130	125
0.20		1700	405	1465	275	1330	215	1230	175	1095	135
0.30		1660	425	1435	290	1295	225	1195	190	1055	145
0.40		1640	435	1400	300	1265	235	1165	200	1010	155
0.50		1615	450	1370	315	1230	250	1125	215	965	165
0.60		1575	465	1340	325	1190	265	1080	230	925	180
0.70		1530	470	1305	340	1150	280	1045	235	885	190
0.80		N/A	N/A	1260	345	1115	285	1000	245	845	195

BLOWER PERFORMANCE DATA UPFLOW / HORIZONTAL

GUH96C110C5M PERFORMANCE (Less Filter)

External Static Pressure in. w.g.	Temp Rise	Air Volume / Watts at Different Blower Speeds																			
		Bottom Return Air, Side Return Air with Optional Return Air Base, Return Air from Both Sides or Return Air from Bottom and One Side.										Single Side Return Air – Air volumes in bold require field fabricated transition to accommodate 20 x 25 x 1 in. air filter in order to maintain proper air velocity.									
	High		Med-High		Medium		Med-Low		Low		High		Med-High		Medium		Med-Low		Low		
	cfm	Watts	cfm	Watts	cfm	Watts	Watts	Watts	cfm	Watts	cfm	Watts	cfm	Watts	cfm	Watts	cfm	Watts	cfm	Watts	
0.00	45-75	2220	655	1975	440	1800	325	1665	390	1050	180	2180	685	1910	460	1750	345	1660	285	1430	195
0.10		2185	680	1925	460	1750	345	1625	285	1440	200	2155	705	1885	480	1720	360	1610	295	1415	205
0.20		2150	705	1880	480	1710	365	1590	300	1390	220	2130	725	1855	495	1685	380	1565	305	1380	220
0.30		2110	720	1850	495	1680	380	1560	320	1350	230	2085	745	1825	510	1655	390	1535	325	1335	230
0.40		2080	735	1810	520	1650	405	1515	330	1310	245	2060	760	1795	530	1625	405	1495	340	1295	245
0.50		2045	755	1785	530	1610	415	1470	350	1265	255	2030	775	1765	545	1585	425	1450	355	1255	265
0.60		2010	775	1740	545	1575	430	1440	370	1220	270	1995	785	1725	565	1550	435	1420	370	1205	275
0.70		1980	790	1705	565	1525	450	1400	375	1170	280	1960	795	1690	575	1505	455	1385	385	1165	290
0.80		1950	795	1670	580	1485	460	1360	390	1140	293	1895	790	1650	590	1465	470	1335	395	1120	295

GUH96C135D5M PERFORMANCE (Less Filter)

External Static Pressure in. w.g.	Temp Rise	Air Volume / Watts at Different Blower Speeds																			
		Bottom Return Air, Side Return Air with Optional Return Air Base, Return Air from Both Sides or Return Air from Bottom and One Side.										Single Side Return Air – Air volumes in bold require field fabricated transition to accommodate 20 x 25 x 1 in. air filter in order to maintain proper air velocity.									
	High		Med-High		Medium		Med-Low		Low		High		Med-High		Medium		Med-Low		Low		
	cfm	Watts	cfm	Watts	cfm	Watts	Watts	Watts	cfm	Watts	cfm	Watts	cfm	Watts	cfm	Watts	cfm	Watts	cfm	Watts	
0.00	45-75	2400	920	2205	709	2035	513	1800	363	1625	268	2280	929	2100	703	1935	531	1720	368	1550	269
0.10		2370	930	2170	718	1985	524	1760	375	1585	279	2245	941	2075	720	1910	543	1700	380	1530	280
0.20		2345	937	2150	723	1960	522	1725	385	1535	291	2210	957	2050	745	1895	558	1695	396	1500	295
0.30		2305	958	2120	744	1920	565	1690	404	1505	305	2200	978	2030	757	1850	569	1675	408	1475	308
0.40		2275	974	2070	763	1885	576	1665	419	1475	323	2175	990	2015	774	1845	584	1640	427	1450	326
0.50		2230	986	2055	779	1845	593	1620	433	1435	330	2145	989	2010	783	1820	603	1605	446	1410	332
0.60		2195	988	2030	796	1810	614	1590	451	1385	348	2125	980	1990	809	1785	618	1580	455	1375	351
0.70		2125	961	1985	806	1780	626	1545	468	1355	359	2060	937	1960	819	1765	635	1545	474	1340	366
0.80		2065	931	1965	822	1760	642	1500	479	1310	377	1980	912	1925	825	1730	646	1510	491	1295	379

BLOWER PERFORMANCE DATA DOWNFLOW

GDD96C045B3M PERFORMANCE (Less Filter)

External Static Pressure in. w.c.	Temp Rise	Air Volume / Watts at Various Blower Speeds									
		High		Medium-High		Medium		Medium-Low		Low	
	cfm	Watts	cfm	Watts	cfm	Watts	cfm	Watts	cfm	Watts	
0.00	30-60	1455	370	1275	255	1175	190	920	90	865	85
0.10		1425	375	1250	260	1145	200	885	100	830	90
0.20		1395	380	1225	265	1115	210	850	110	795	95
0.30		1365	385	1195	275	1085	220	815	115	750	105
0.40		1325	385	1170	290	1045	230	770	130	700	110
0.50		1245	370	1130	300	1010	240	720	135	660	120
0.60		1180	360	1095	305	970	245	675	140	605	125
0.70		1100	330	1045	310	935	255	615	150	560	130
0.80		980	295	1000	290	895	260	580	155	505	135

BLOWER PERFORMANCE DATA DOWNFLOW

GDD96C070B4M PERFORMANCE (Less Filter)

External Static Pressure in. w.c.	Temp Rise	Air Volume / Watts at Various Blower Speeds									
	Rise Range °F	High		Medium-High		Medium		Medium-Low		Low	
		cfm	Watts	cfm	Watts	cfm	Watts	cfm	Watts	cfm	Watts
0.00	35-65	1720	510	1545	355	1340	235	1240	190	1020	95
0.10		1700	530	1505	360	1310	245	1195	200	955	110
0.20		1675	545	1465	370	1275	255	1155	205	895	115
0.30		1640	555	1420	380	1230	270	1120	215	835	125
0.40		1600	565	1380	395	1180	280	1060	225	785	135
0.50		1560	570	1340	400	1140	290	1015	235	715	145
0.60		1500	565	1300	420	1095	305	965	245	640	150
0.70		1405	540	1255	430	1040	315	910	255	585	160
0.80		1325	515	1215	445	990	320	865	265	525	170

GDD96C090C4M PERFORMANCE (Less Filter)

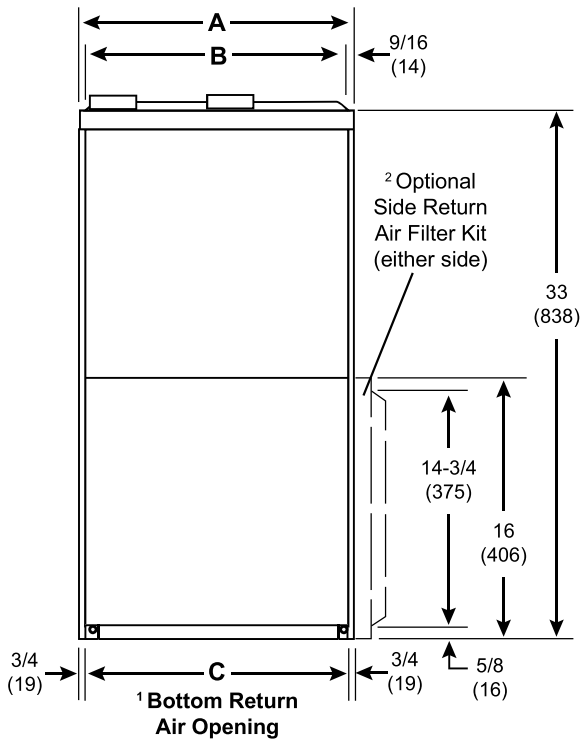
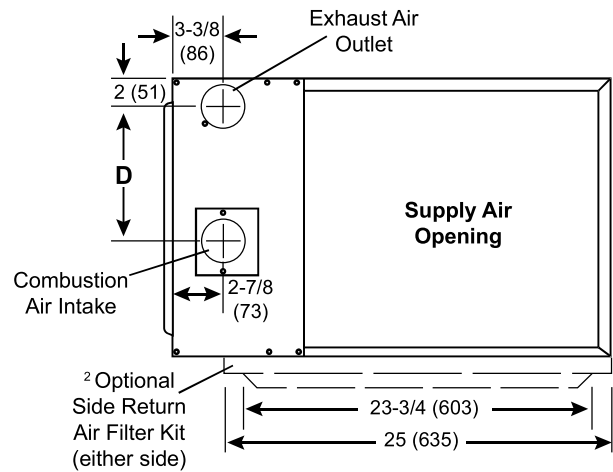
External Static Pressure in. w.c.	Temp Rise	Air Volume / Watts at Various Blower Speeds									
	Rise Range °F	High		Medium-High		Medium		Medium-Low		Low	
		cfm	Watts	cfm	Watts	cfm	Watts	cfm	Watts	cfm	Watts
0.00	50-80	1760	435	1555	280	1405	230	1315	175	1190	135
0.10		1730	445	1515	300	1375	240	1280	190	1150	145
0.20		1700	455	1475	315	1350	250	1245	205	1115	155
0.30		1670	465	1445	330	1310	265	1200	220	1070	165
0.40		1640	480	1410	340	1265	275	1160	230	1025	175
0.50		1590	485	1380	345	1225	285	1125	235	985	185
0.60		1530	465	1340	360	1195	295	1085	245	945	195
0.70		1445	450	1315	370	1150	305	1065	255	895	200
0.80		1350	420	1280	375	1115	315	1015	265	860	210

GDD96C110C5M PERFORMANCE (Less Filter)

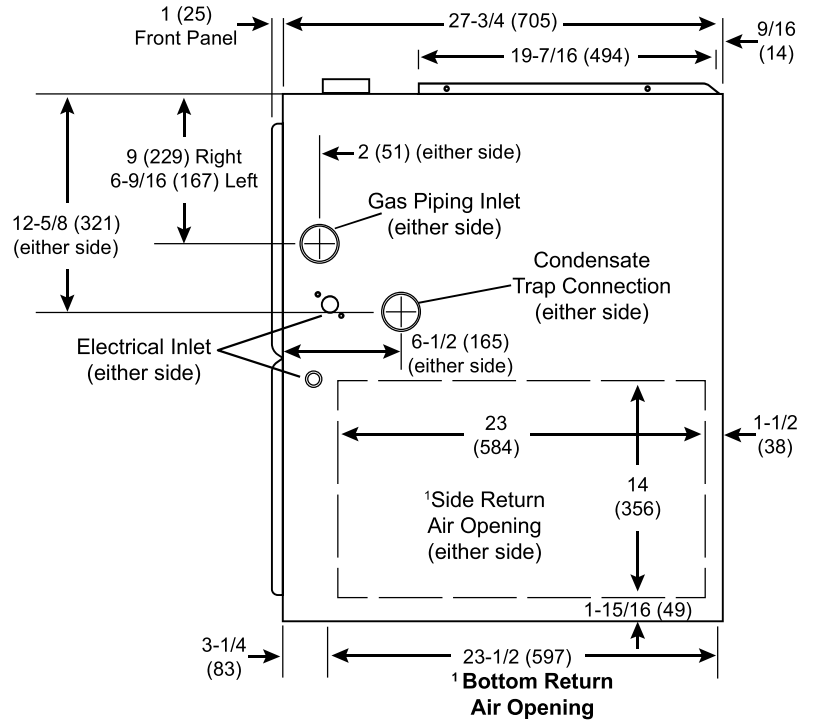
External Static Pressure in. w.c.	Temp Rise	Air Volume / Watts at Various Blower Speeds									
	Rise Range °F	High		Medium-High		Medium		Medium-Low		Low	
		cfm	Watts	cfm	Watts	cfm	Watts	cfm	Watts	cfm	Watts
0.00	40-70	2115	669	1895	466	1710	356	1605	285	1415	209
0.10		2090	686	1845	476	1670	368	1570	299	1380	217
0.20		2060	701	1790	487	1630	375	1520	315	1320	222
0.30		2020	711	1760	498	1590	393	1470	324	1280	236
0.40		1980	734	1715	511	1545	403	1420	342	1220	247
0.50		1935	740	1690	525	1500	418	1370	347	1170	264
0.60		1895	749	1625	536	1460	423	1335	358	1110	269
0.70		1830	738	1600	548	1410	438	1280	367	1080	286
0.80		1765	723	1550	564	1370	456	1240	387	1010	290

DIMENSIONS (IN.)
UPFLOW / HORIZONTAL

Top View



Front View

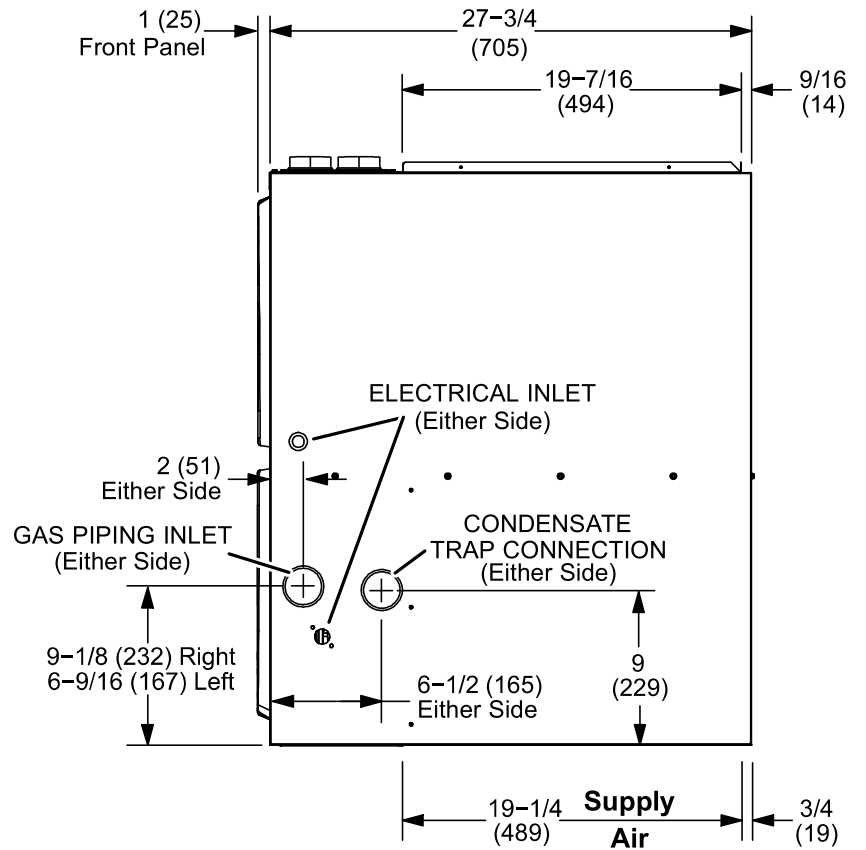
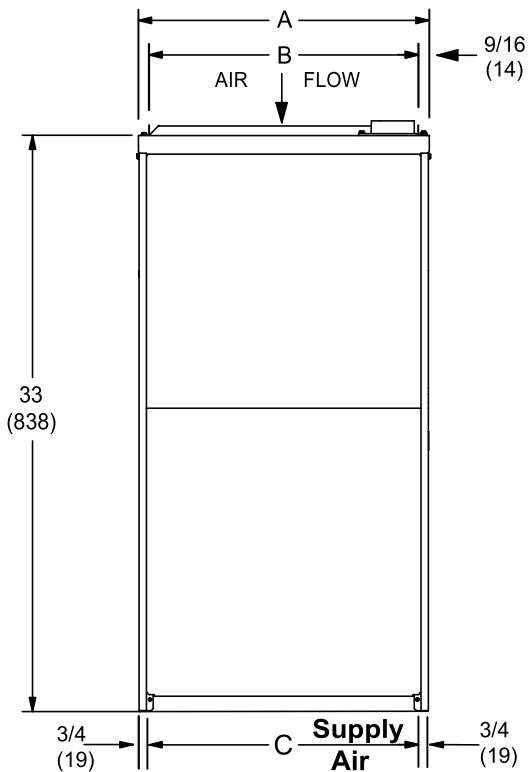
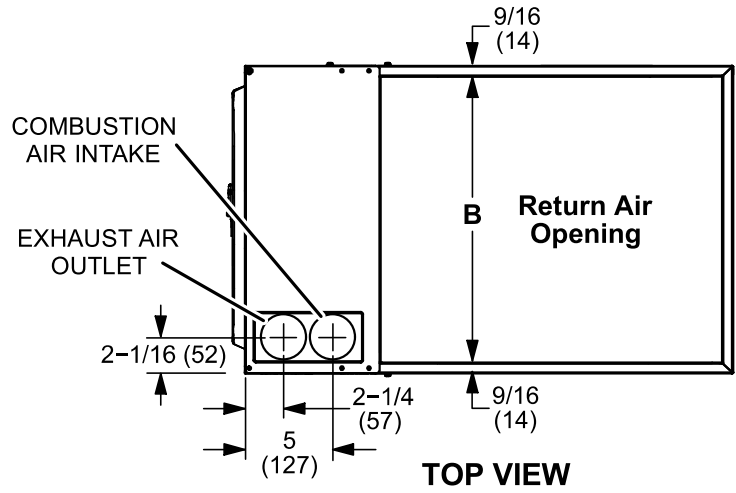


Side View

DIMENSIONS (IN.)

		Model	A	B	C	D
UPFLOW / HORIZONTAL		GUH96C045B3M	17-1/2	16-3/8	16	7-5/8
		GUH96C070B3M	17-1/2	16-3/8	16	7-5/8
		GUH96C090C4M	21	19-7/8	19-1/2	9-3/8
		GUH96C110C5M	21	19-7/8	19-1/2	9-3/8
		GUH96C135D5M	24-1/2	23-3/8	23	11-1/8

**DIMENSIONS (IN.)
DOWNFLOW**



DIMENSIONS (IN.)

		Model	A	B	C	D
DOWNFLOW		GDD96C045B3M	17-1/2	16-3/8	16	15-1/2
		GDD96C070B4M	17-1/2	16-3/8	16	15-1/2
		GDD96C090C4M	21	19-7/8	19-1/2	19
		GDD96C110C5M	21	19-7/8	19-1/2	19

ACCESSORY LIST

PART NUMBER	DESCRIPTION
External Filter Rack kits	
1.841018	1 pack (16 x 25)
1.841039	10 pack (16 x 25)
Natural to LP Kits	
11K50	1-Stage
11K45	High Altitude 1-Stage
17H62	30k BTUH
High Altitude Pressure Switch Kits	
11U66	4,501 - 7,500 ft [030, 045]
11U70	4,501 - 7,500 ft [070, 090, 110]
11U69	7,501 - 10,000 ft [030, 045]
11U68	7,501 - 10,000 ft [070]
11U64	7,501 - 10,000 ft [090, 110]
Return Air Base	
68W62	17.5" B Width
68W63	21.0" C Width
68W64	24.5" D Width
Downflow Combustible Flooring Base	
11M60	17.5" B Width
11M61	21.0" C Width
Horizontal Suspension Kit	
51W10	80% & 90% Kit
Flush Mount Termination (90% Furnaces only) US Only	
51W11	2" & 3" Vent Version
Concentric Vent Kit (90% Furnaces only) US Only	
71M80	1-1/2" Vent Version
69M29	2" Vent Version
60L46	3" Vent Version
Concentric Vent Kit (90% Furnaces only) Canada	
44W92	1-1/2" and 2" Vent Version
44W93	3" Vent Version
Twinning Kit	
16W72	Constant Torque Gas Furnace Twinning Kit

For vent length and clearances to combustibles, please reference installation instructions.

Due to ongoing product improvements, specifications and dimensions are subject to change and correction without notice or incurring obligations. Determining the application and suitability for use of any product is the responsibility of the installer. Additionally, the installer is responsible for verifying dimensional data on the actual product prior to beginning any installation preparations.

Third party incentive and rebate programs have precise requirements as to product performance and certification.

All products meet applicable regulations in effect on date of manufacture; however, certifications are not necessarily granted for the life of a product. Therefore, it is the responsibility of the applicant to determine whether a specific model qualifies for these incentive/rebate programs.

"This product complies with all California product labeling laws including, but not limited to, the Safe Drinking Water and Toxic Enforcement Act of 1986, more commonly known as Proposition 65."