

HRG16**S1M

SPECIFICATIONS

Compressor

- High-efficiency 2 stage Copeland UltraTech™ scroll compressor
- R410a refrigerant
- Grommet-mounted compressor for quiet operation
- Internally protected against high temperature motor overload conditions

Cabinet

- Full metal louvered panel coil guard protection
- Controls located in corner post for easy installation and service
- Rounded corners for safety and attractive, clean appearance
- Baked polyester paint finish over galvanized steel for maximum durability
- PVC coated wire fan discharge grill
- External gauge ports for easy service
- Raised base pan with ports allows for excellent water and debris drainage

Coils

- Enhanced aluminum fins and copper tubing for higher efficiency and capacity
- Raised coil prevents debris from collecting in bottom of coil and causing loss of airflow

Design

- Designed for ambients up to 125°F
- All units ETL and ETL approved and AHRI listed

Components

- Full metal louvered panels remove for easy coil cleaning and service
- Bi-directional filter drier for long-lasting durability and system protection
- Discharge muffler for quiet operation
- Factory installed crank case heater
- Advanced design defrost system featuring a smart logic for power consumption savings
- Service valves positioned for quick installation and easy service
- Comfort Alert 2 diagnostics factory installed
- Reliable, solid state defrost control
- Defrost control is Quiet Shift™ capable

Factory Installed Accessories

- Crank case heater
- Compressor sound cover for quiet operation
- High pressure switch
- Low pressure switch for loss of charge protection

Comfort-Cire®

SPLIT SYSTEM HEAT PUMP

16 SEER



For the latest AHRI system matches,
please visit www.marsdeliversratings.com
or AHRIdirectory.com

Warranty—12 years on compressor, 6 years on parts
(Some limitations apply; see printed warranty for details.)

www.marsdelivers.com

MODEL NUMBER GUIDE

H	R	G	16	24	S	1	M
Heat Pump	Residential Split	'Green' Gas R-410A	SEER 16	Capacity BTUH x 1000	S = Scroll Compressor	Power 1 = 208/230-1-60	Series/ Revision

PHYSICAL AND ELECTRICAL DATA

Model	Voltage/ Hz/ Phase	Voltage Range	Min. Circuit Amp.	Max. Over Current Device (amps)	Compressor		Outdoor Fan Motor			Refrig. Charge ¹ (oz.)	Sound Rating dBA
					Rated Load (amps)	Locked Rotor (amps)	Rated Load (amps)	Rated HP	Nom. RPM		
HRG1624S1M	208-230-60/1	197-253	13.5	20	11.4	52	0.7	1/10	1075	146	73
HRG1636S1M	208-230-60/1	197-253	22.5	35	19.0	82	1.7	1/4	825	192	75
HRG1648S1M	208-230-60/1	197-253	28.2	45	24.0	96	1.8	1/3	825	236	75
HRG1660S1M	208-230-60/1	197-253	35.1	60	26.0	118	2.8	1/3	ECM	244	74

Note:

¹ Factory charged for 15 feet of line set. Adjust per installation instructions.

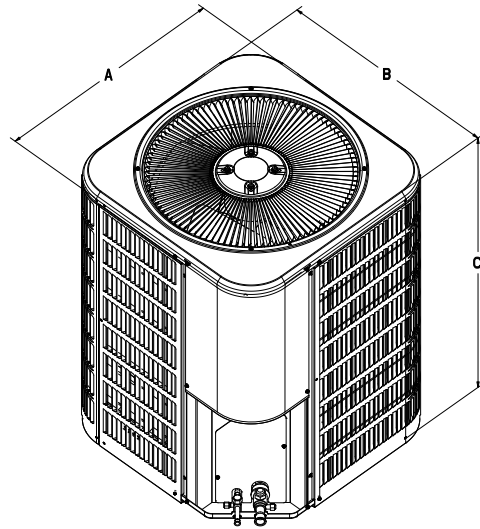
UNIT DIMENSIONS & WEIGHT

Model	Dimensions (inch) ¹			Shipping Weight (lbs.) ²
	A - Width	B - Depth	C - Height	
HRG1624S1M	24-3/4	26-3/4	33-3/4	207
HRG1636S1M	29-3/8	31-1/4	37-3/4	253
HRG1648S1M	35-3/4	37-3/4	37-3/4	288
HRG1660S1M	35-3/4	37-3/4	43-3/4	313

Note:

¹ Dimensions listed are unit sizes w/o packaging

² Weights listed are unit weights with packaging



ACCESSORIES

Description	Where Used	Kit Number
Hard Start Kit	24 & 36	10J42
	48 & 60	81J69
Compressor Low Ambient Kit	All Models	45F08
Freezestat	All Models	93G35
Outdoor Thermostat	All Models	ASTAT503
Fossil Fuel Kit	All Models	AFOSL500
Low Pressure Switch	Factory installed; see spare parts list	
High Pressure Switch		
Sound Blanket		
Crankcase Heater		
Relay Kit - Constant Torque	All Constant Torque Furnaces	85W66
TXV	18, 24, 30	H4TXV01
	36, 42, 48	H4TXV02
	60	H4TXV03
	18, 24, 30, 36	4200
	42, 48, 60	4202

PERFORMANCE WITH COILS, AIR HANDLERS AND FURNACES

Outdoor Model	Indoor Model	Cooling				Heating		
		Evap. Coil Air Handlers ¹	SEER	EER	AHRI Capacity ²	AHRI Reference Numbers	HSPF	47°
	Btuh							Btuh
HRG1624S1M	HCG36V1M	14	12.2	22,800	202120938	8.2	23,000	14,000
	HMG30X1P	14.6	12.5	24,000	205730507	8.2	22,200	14,000
	HCG30V1P	15.5	12.5	24,000	205730508	8.2	22,200	14,000
	HCG6V1P	15.5	12.5	24,000	205730510	8.2	21,800	13,800
36	HCG42V1M	15	12.5	36,000	202120939	8.5	36,000	22,000
	HCG48V1P	15.5	12.2	36,000	205730511	8.2	33,600	21,800
HRG1648S1M	HCG48V1M	15	12.2	47,000	202120940	8.2	46,000	30,000
	HCG60V1M	15	12.2	47,000	202120941	8.2	46,000	30,000
	HCG48V1P	16	12.5	47,000	205730514	8.5	42,000	27,000
	HMG60X1P	15.5	12.2	46,500	205730513	8.5	43,000	28,000
	HCG60V1P	15.5	12.2	47,000	205730516	8.5	43,000	28,000
60	HCG60V1M	16	12.2	58,000	202120942	8.5	53,000	33,000

Note:

¹ A blower time delay relay is required to achieve AHRI rating. This feature is standard on all furnaces and AH products.

² Certified in accordance with Unitary Air Conditioner Certification Program, which is based on AHRI Standard 210/240.

³ Required to achieve AHRI rating.

HEATING PERFORMANCE EXTENDED RATINGS

Outdoor Model	Indoor Model	Indoor Temp	Outdoor Temp - DB/WB °F									
			0/0		17/15		35/33		47/43		62/56	
			Btuh	kW	Btuh	kW	Btuh	kW	Btuh	kW	Btuh	kW
HRG1624S1M	HCG24V1M	70	12,361	1.64	15,100	1.83	18,000	2.03	24,500	2.17	29,200	2.34
HRG1636S1M	HCG36V1M	70	15,811	2.04	22,800	2.49	30,200	2.97	40,600	3.55	49,500	4.08
HRG1648S1M	HCG48V1M	70	28,561	3.32	31,300	3.49	34,200	3.67	46,900	3.59	54,700	3.64
HRG1660S1M	HCG60V1M	70	36,783	4.04	39,900	4.17	43,200	4.31	60,300	4.73	70,500	5.01



Due to ongoing product improvements, specifications and dimensions are subject to change and correction without notice or incurring obligations. Determining the application and suitability for use of any product is the responsibility of the installer. Additionally, the installer is responsible for verifying dimensional data on the actual product prior to beginning any installation preparations.

Third party incentive and rebate programs have precise requirements as to product performance and certification. All products meet applicable regulations in effect on date of manufacture; however, certifications are not necessarily granted for the life of a product. Therefore, it is the responsibility of the applicant to determine whether a specific model qualifies for these incentive/rebate programs.

"This product complies with all California product labeling laws including, but not limited to, the Safe Drinking Water and Toxic Enforcement Act of 1986, more commonly known as Proposition 65."