

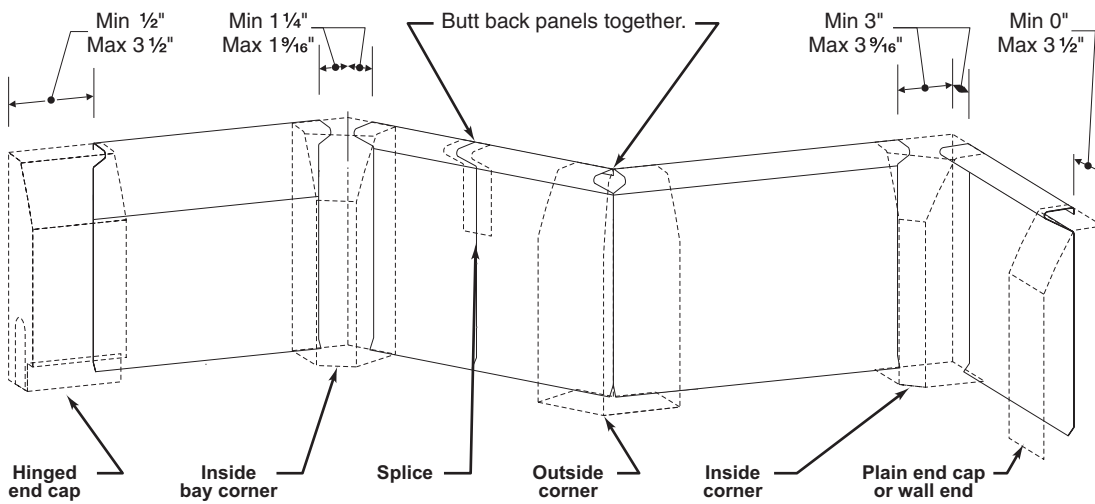


# High Trim

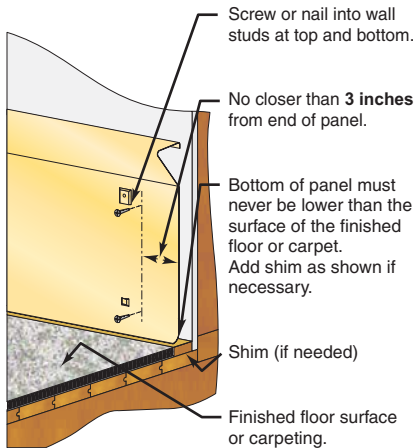
## MODEL HT 3/4" & HT 1" HYDRONIC BASEBOARD ASSEMBLY INSTRUCTIONS

### 1 Position back panels

Back panels must be positioned correctly to accommodate accessories, as shown below.

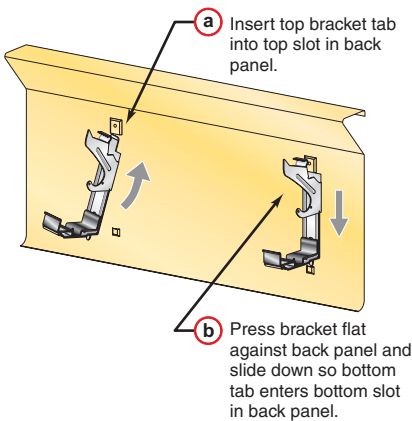


### 2 Attach back panel to wall



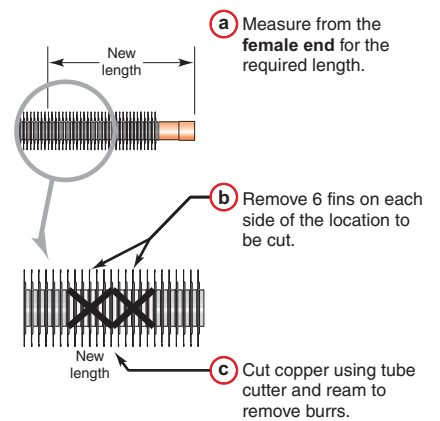
### 3 Install brackets

Position brackets evenly along length of panel, approximately every 2 feet.

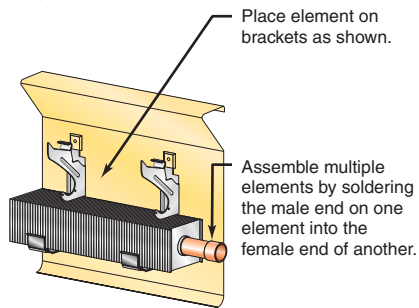


### 4 Cutting element

When a shorter length is needed



## 5 Install element



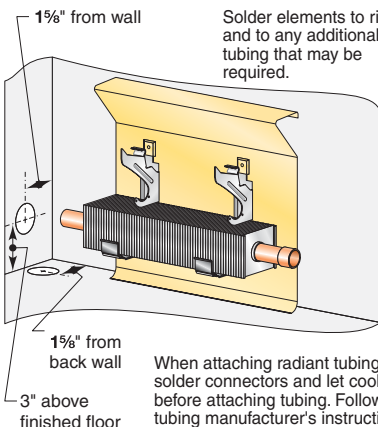
Place element on brackets as shown.

Assemble multiple elements by soldering the male end on one element into the female end of another.

For horizontal runs of more than **30 feet**, install expansion joints.

## 6 Holes for risers & connectors

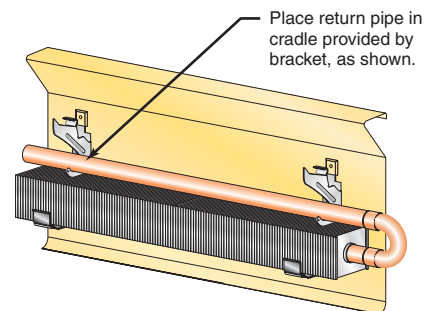
Drill 1½" holes for risers or connectors



Solder elements to risers and to any additional tubing that may be required.

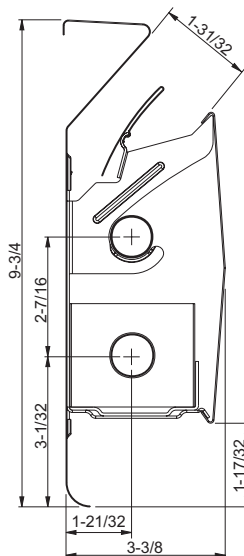
When attaching radiant tubing, solder connectors and let cool before attaching tubing. Follow all tubing manufacturer's instructions.

## 7 Support bare tubing

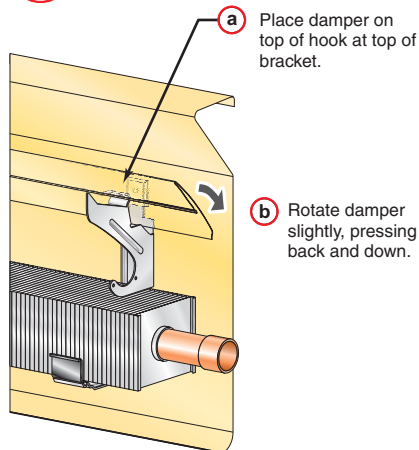


Place return pipe in cradle provided by bracket, as shown.

## Dimensions



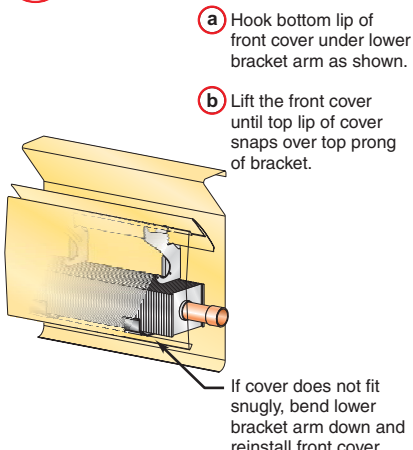
## 8 Install damper



**a** Place damper on top of hook at top of bracket.

**b** Rotate damper slightly, pressing back and down.

## 9 Install front cover



**a** Hook bottom lip of front cover under lower bracket arm as shown.

**b** Lift the front cover until top lip of cover snaps over top prong of bracket.

If cover does not fit snugly, bend lower bracket arm down and reinstall front cover.

## Ratings



### High Trim Model HT I=B=R Approved Water Ratings

Capacities in BTU/Hr. per Linear Foot with 65°F Entering Air

#### Single Element High Trim Model HT3/4"

Water Flow Rate		Average Water Temperature (°F)					
GPM	Lbs/Hr	170	180	190	200	210	220
1	500	650	740	820	910	990	1080
4	2000	690	780	870	960	1050	1140

#### Single Element High Trim Model HT1"

Water Flow Rate		Average Water Temperature (°F)					
GPM	Lbs/Hr	170	180	190	200	210	220
1	500	630	720	800	880	970	1050
4	2000	670	760	850	930	1030	1110

**Notes:** I=B=R approved water ratings are based on the active (fined) length and include the 15% addition for heating effect allowed by the I=B=R Testing and Rating Code for Baseboard Type of Radiation. The active length is 3" less than the enclosure length. Ratings apply to the assembly with the damper installed and adjusted to the normally open position.

The heating elements are constructed of 3/4" (or 1") nominal copper tubing expanded into 2 1/8" x 2 3/4" aluminum fins, which are spaced 60 (or 57.5) fins per foot; fin thickness is .008" for 3/4" and .011" for 1" elements. Elements are unpainted.

Use of I=B=R ratings at the 4 gpm flow rate is limited to installations in which the water flow rate through the baseboard unit is equal to or greater than 4 gpm. Where the water flow rate is not known, the I=B=R ratings at the standard flow rate of 1 gpm must be used. Flow rates exceeding 6 gpm through the 3/4" element or 10 gpm through the 1" element should be avoided because of possible noise.

Pressure drop through 3/4" element High Trim Baseboard at 1 gpm is .047" of water per linear foot and at 4 gpm is .525" of water per linear per foot. Pressure drop through 1" element High Trim Baseboard at 1 gpm is .013" of water per linear foot and at 4 gpm is .145" of water per linear foot.



# WEIL-McLAIN

Weil-McLain  
500 Blaine Street  
Michigan City, IN 46360-2388  
<http://www.weil-mclain.com>

550-110-761/0904