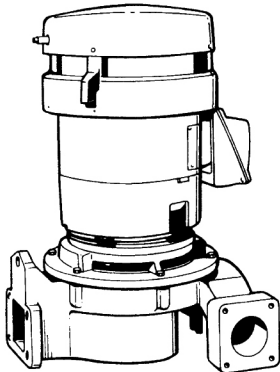




JOB	B & G REPRESENTATIVE	
UNIT TAG NO.	ORDER NO.	DATE
ENGINEER	SUBMITTED BY	DATE
CONTRACTOR	APPROVED BY	DATE



## Domestic® Pump Centriflo® Series C35™ and C17™ Style PF Centrifugal Pumps

**SPECIFICATIONS**

**MATERIALS OF CONSTRUCTION**

Bronze Fitted Pump with Bronze Wear Ring  
Stainless Steel Motor Shaft

**MECHANICAL SEAL**

Carbon/Ceramic Faces  
Temperature Range:  
-20° to 250°F (-29°C to 121°C)  
PH Limits: 7-9

- Buna N Elastomers (Standard)
- Viton Elastomers (Optional)

**CONDITIONS**

\_\_\_\_\_ GPM \_\_\_\_\_ FT.

**ELECTRICAL DATA** \_\_\_\_\_ HP

\_\_\_\_\_ VOLTS \_\_\_\_\_ CY \_\_\_\_\_ PH

**MOTOR ENCLOSURE**

- ODP
- TEFC
- EXPLOSION PROOF

APPROXIMATE WEIGHT \_\_\_\_\_ LBS

**APPROXIMATE MOTOR DIMENSIONS IN INCHES (MM)**

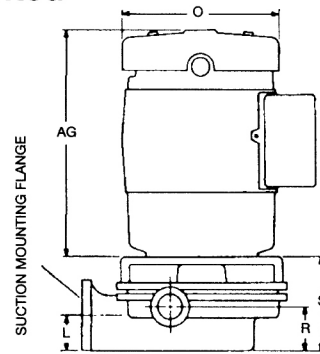
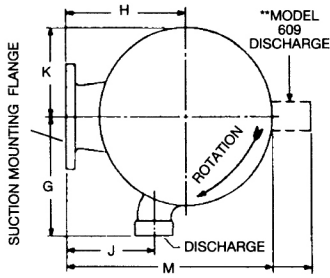
**3500 RPM**

<b>ODP Motor HP</b>	1/3	1/2-1	1-2	1 1/2-2	2-3	5	7 1/2	10	15	—
<b>TEFC Motor HP</b>	—	—	1/2-1 1/2	1-1 1/2	2	3	5	7 1/2	10	15
<b>Dimension O</b>	5 3/4 (146)	6 3/4 (171.4)	6 3/4 (171.4)	7 3/8 (187.3)	7 3/8 (187.3)	10 3/8 (263.5)	10 3/8 (263.5)	11 1/2 (292.1)	11 1/2 (292.1)	13 1/4 (336.5)
<b>Dimension AG</b>	8 1/2 (215.9)	9 1/2 (241.3)	11 (279.4)	11 (279.4)	12 (304.8)	12 1/2 (317.5)	14 (355.6)	17 (431.8)	17 (431.8)	20 (508)

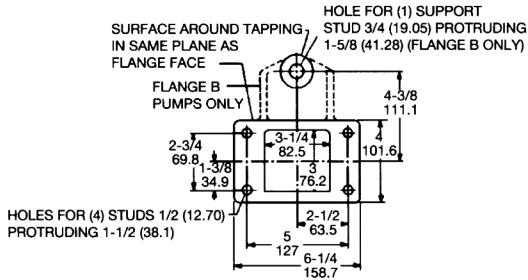
**1750 RPM**

<b>ODP &amp; TEFC Motor HP</b>	1/3-1	1	1-2	2-3	5	7 1/2	10	15
<b>Dimension O</b>	6 3/4 (171.4)	7 3/8 (187.3)	7 3/8 (187.3)	10 3/8 (263.5)	10 3/8 (263.5)	11 1/2 (292.1)	11 1/2 (292.1)	13 1/4 (336.5)
<b>Dimension AG</b>	11 (279.4)	11 (279.4)	12 (304.8)	12 1/2 (317.5)	14 (355.6)	17 (431.8)	17 (431.8)	20 (508)

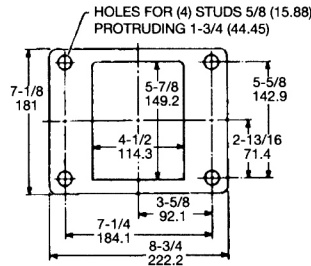
# Style PF – Suction Flange Mounted



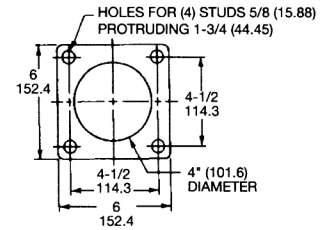
## Suction Mounting Flange Dimensions



**FLANGE A – WITHOUT SUPPORT STUD**  
**FLANGE B – WITH SUPPORT STUD**



**FLANGE C**



**FLANGE D**

### PUMP DIMENSIONS IN INCHES (MM)

PUMP MODEL	HP	SUCTION MOUNTING FLANGE	DISCH.	G	H	J	K	L	M†	R	S
<b>Series C35™ – 3500 RPM Centrifugal Pumps</b>											
609	1/3-3/4	A	3/4 (19)	—	4 1/16 (103.2)	—	3 1/8 (79.4)	2 (50.8)	9 1/16 (230.2)	1 7/8 (47.6)	4 1/8 (104.8)
613	5		2 (50.8)	*7 1/2 (190.5)	5 1/4 (133.3)	4 3/4 (120.6)	4 1/8 (104.8)		9 3/8 (238.1)	2 5/8 (66.7)	6 1/4 (158.7)
614	5	D	2 1/2 (63.5)	6 3/4 (171.4)	6 3/4 (171.4)	10 1/4 (260.3)	4 5/8 (117.5)	3 (76.2)	12 1/2 (317.5)	9 1/16 (233.4)	12 1/8 (327)
616	1/3-2	A	1 1/2 (38.1)	6 (152.4)	5 1/4 (133.3)	4 3/4 (120.6)	4 (101.6)	2 (50.8)	9 1/4 (234.9)	2 1/8 (54)	5 (127)
617	3/4-3								9 3/8 (238.1)		
618	5-15		2 (50.8)		5 3/4 (146)		5 (127)		10 3/4 (273)	6 1/4 (158.8)	
620	1 1/2-7 1/2		**1 1/2 (38.1)								7 3/4 (196.9)
625	3/4-5		2 (50.8)		*7 7/8 (193.7)		5 1/4 (133.3)		4 7/8 (111.1)	2 5/8 (66.7)	7 3/8 (187.3)
626	3/4-3								4 (101.6)		9 1/4 (235)
627	3				4 1/8 (104.8)	9 3/8 (238.1)	5 3/8 (136.5)				
<b>Series C17™ – 1750 RPM Centrifugal Pumps</b>											
650	1/3-1	A	1 1/2 (38.1)	*7 7/8 (193.7)	5 3/4 (146)	4 3/4 (120.6)	5 (127)	2 (50.8)	10 3/4 (273)	2 5/8 (66.7)	7 3/4 (196.8)
651	1-2		2 (50.8)								7 3/8 (187.3)
654	1 1/2-5	B	3 (76.2)	*11 1/4 (285.7)	8 (203.2)	12 3/4 (323.8)	5 3/8 (136.5)	15 1/8 (384.2)	8 3/8 (212.7)		
654	5	C								7 1/8 (181)	
658	7 1/2-15	C	3 (76.2)	*11 1/4 (285.7)	9 1/2 (241.3)	12 3/4 (323.8)	6 3/4 (171.4)	3 3/8 (92.1)	17 1/8 (435)	8 3/8 (212.7)	
659	3-15	B			8 1/2 (215.9)			2 (50.8)	16 1/8 (409.6)	7 1/8 (180.1)	
665	7 1/2-15	C	4 (101.6)	*8 3/8 (212.7)	8 7/8 (225.4)	14 3/8 (365.1)	8 (203.2)	3 3/8 (92.1)	17 1/2 (444.5)	6 3/4 (171.4)	10 1/2 (266.7)
673	3/4-5	A	2 (50.8)	7 7/8 (193.7)	7 (177.8)	4 3/4 (120.6)	6 3/4 (171.4)	2 (50.8)	12 3/4 (323.8)	2 5/8 (66.7)	7 1/8 (200)

\*Flanged – dimension includes companion flange.

†Motor may extend beyond – add H + 1/2 (12.7) O.

Models 609, 616, and 617 available from stock for some conditions, see performance curves.

\*\* 1 1/2" Discharge for below 60 GPM. 2" Discharge for 60 GPM and above.



Xylem Inc.  
 8200 N. Austin Avenue  
 Morton Grove, Illinois 60053  
 Phone: (847) 966-3700  
 Fax: (847) 965-8379  
 www.bellgossett.com