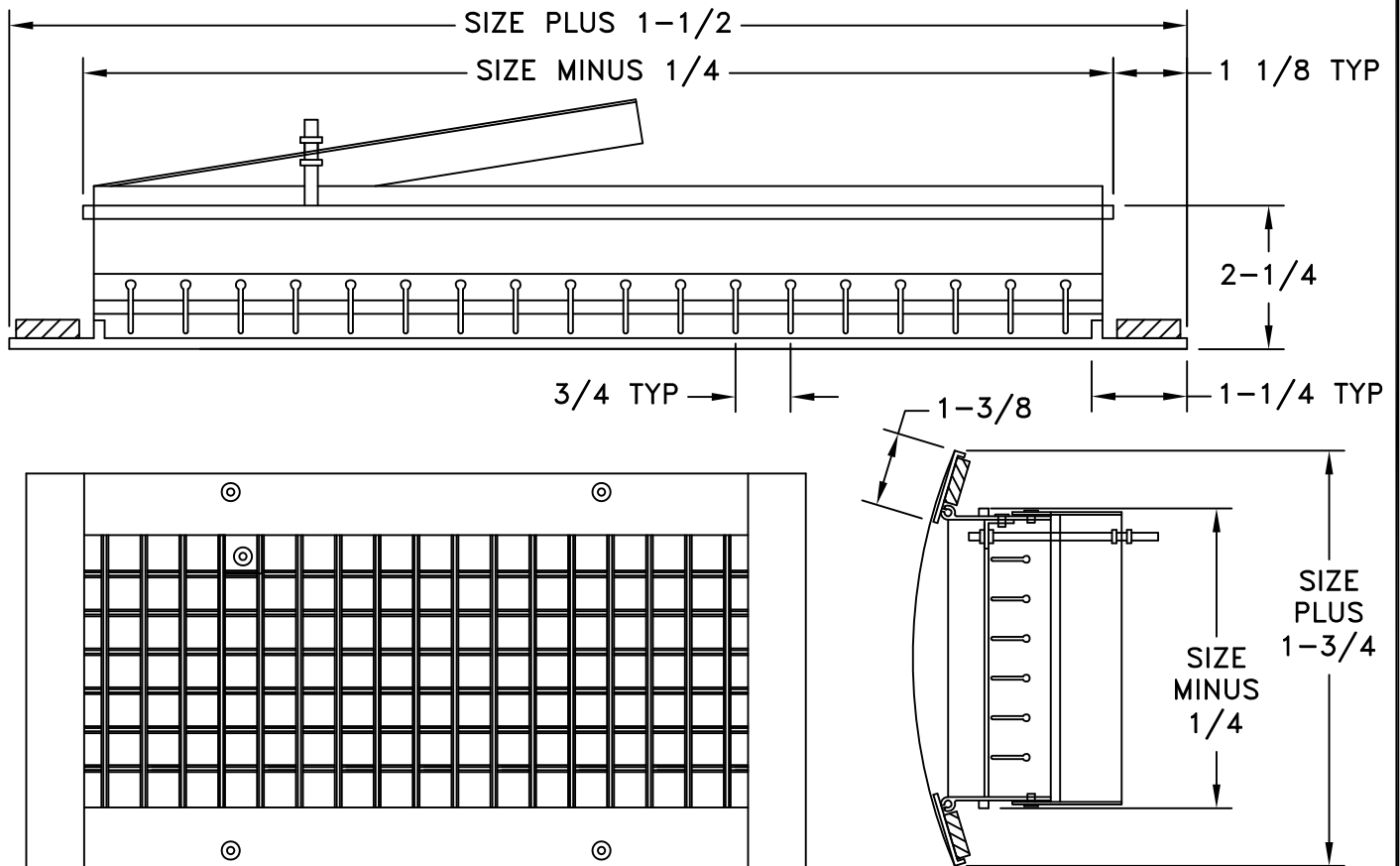


- EXTRUDED ALUMINUM CONSTRUCTION
- SINGLE (VERTICAL) AND DOUBLE (VERTICAL & HORIZONTAL) DEFLECTION
- ADJUSTABLE BLADES
- GASKETS ON MARGIN
- OPTIONAL AIR SCOOP WITH FACE SCREW ADJUSTMENT
- MINIMUM SIZE 10 x 3 , MAXIMUM SIZE 36 x 12, SEE CHART BELOW
- FINISH: WHITE (W) ENAMEL OR SATIN ANODIZED (SA)



MAXIMUM DUCT DIAMETER FOR ALL SIZES IS 36"

HEIGHT OF REGISTER	3"	4"	6"	8"	10"	12"
MIN: MAX DUCT DIAMETER	6" : 36"	8" : 36"	10" : 36"	12" : 36"	14" : 36"	16" : 36"

JOB NAME: _____	SUBMITTED BY: _____	DATE: 11/23/2016	SD-9714
LOCATION: _____		<b>SV/SVH</b> Single And Double Deflection Aluminum Spiral Duct Diffuser	
ARCHITECT: _____			
ENGINEER: _____			
CONTRACTOR: _____			