

SPECIFICATIONS

Input

- **Voltage:** 18-30 VAC
- **Frequency:** 50-60 Hz
- **Power Consumption:** 1 watt maximum

Time Delays

- **Defrost:** Fixed at 10 minutes (+/- 5%)
- **Interval Between Defrost:**
– Pin selectable (30/60/90 minutes)
- **Power On Reset:** 500 ms
- **Anti-Short Cycle Time:** 3 minutes
- **Test Mode:** Short across test terminals to reduce time by 256X

Output

- **Comp Cont:** – **Type:** Triac
– **Rating:** 1 amp @ 30 VAC
- **Defrost Relay:** – **Type:** Triac
– **Rating:** 1 amp @ 30 VAC

Mechanical

- **Dimensions:** 3.5" x 2.75"
- **Mounting:** Surface mount using (4) #6 or #8 screws, or plastic stand offs

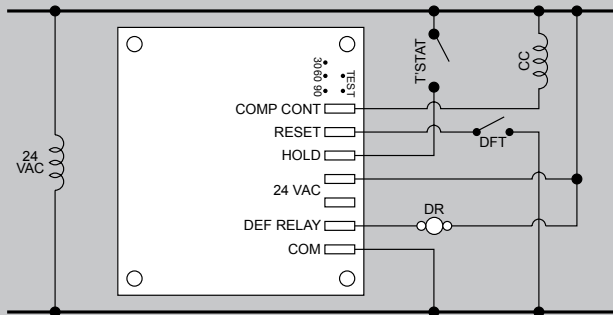
Environmental

- **Operating Temperatures:**
-40°F to +167°F (-40°C to +75°C)

Test Mode Times

| Compressor Run Times | | Defrost Times | |
|----------------------|----------------------|---------------------|----------------------|
| Actual Interval Time | Equivalent Test Time | Actual Defrost Time | Equivalent Test Time |
| 30 minutes fixed | 7.03 seconds | 10 minutes fixed | 2.34 seconds |
| 60 minutes fixed | 14.06 seconds | 10 minutes fixed | 2.34 seconds |
| 90 minutes fixed | 21.09 seconds | 10 minutes fixed | 2.34 seconds |

WIRING DIAGRAM



DR = Defrost Relay Coil

DFT = Defrost Thermostat

CC = Compressor Contactor Coil