



*The ICM340 Condensation Control is used to prevent the overflowing of an evaporator condensation pan. Overflow problems can occur from a slow or blocked condensate drain or condensate pump failure.*

## Features

- **2 sensors for water detection**
- **Adjustable delay before break time to prevent nuisance trips**
- **Optional overflow LED kit**
- **Suggested use:** Package units, vertical coils, stud mounts, split systems, slant coils, water heaters



## Mode of Operation

With proper mounting of the sensors, the ICM340 Condensation Control System will detect the presence of water before overflow can occur. If water is detected for the entire time period selected on the control (60-180 seconds), the 24 VAC output from the T'stat Output terminal is interrupted, the control is locked out, and the optional overflow LED is lit. If water is detected, but not for the entire time period selected, no interruption of the 24 VAC from the T'stat Output terminal occurs. This eliminates nuisance trips and unnecessary lockouts. Removal of the water automatically resets the ICM340 after a lockout condition.

Every control is shipped with: (2) sensors, (2) mounting clips, (2) self-stick adhesive clips, and detailed instructions with diagrams for installation and troubleshooting.

Optional overflow LED accessory kit (ACH55) available.

## Specifications

### Input

- **Voltage:** 18-30 VAC

### Output

- 24 VAC to thermostat/cooling control
- 24 VAC to optional overflow LED

### Output Rating

- 2 amps

### Delay Before Trip

- 1-3 minutes

### Operating Frequency

- 50/60 Hz

### Maximum Operating/Storage Relative Humidity

- 95% non-condensing

### Storage Temperature

- -40°C to +85°C

### Connection Terminals

- Quick connects (1/4 inch) to provide easy hookup

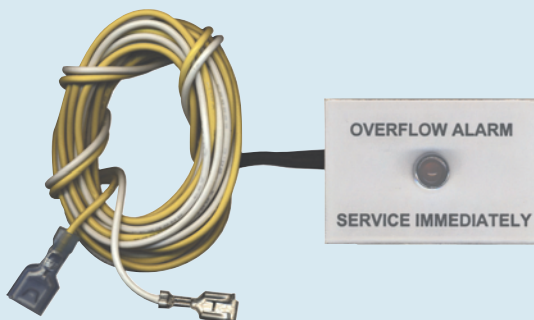
### Epoxy Encapsulated Circuit

- Provides maximum protection against moisture and allows use in extreme environmental conditions

## Optional Accessories

### ACH55

Overflow Alarm LED Kit

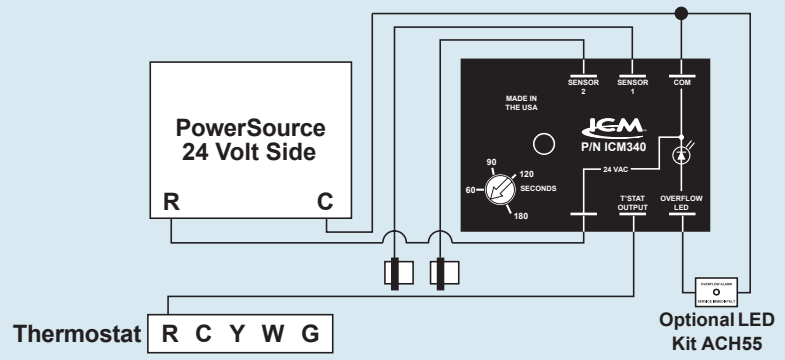


### ICM345

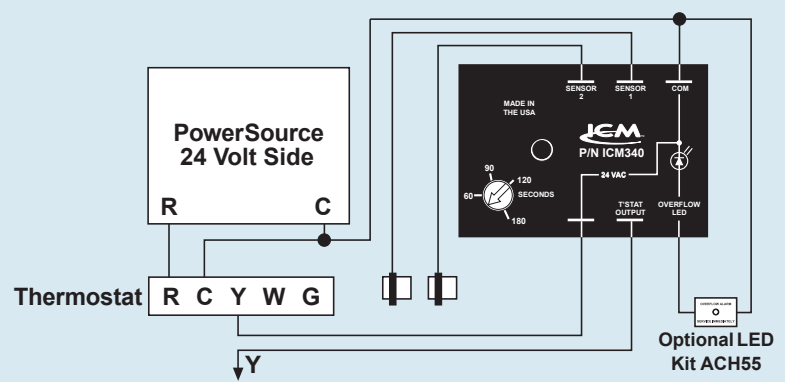
Audible/visual alarm in elegant case



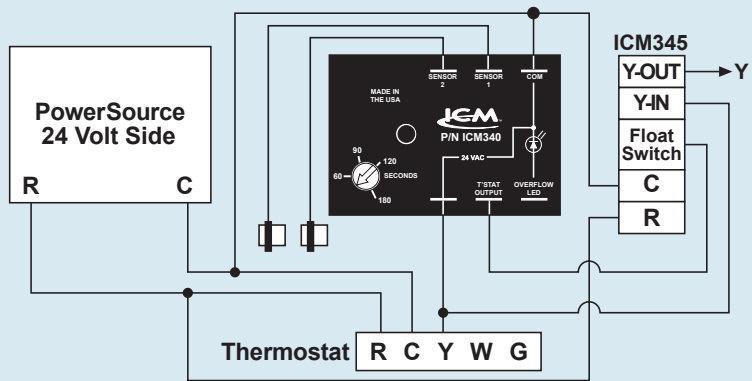
## Wiring Diagram Breaking "R" Wire



## Wiring Diagram Breaking "Y" Wire



## Wiring Diagram ICM340 with ICM345 Alarm



## Application

Sensors can be clipped to or pressed onto side, adhered to bottom of pan or inserted into drain pipe.

