



## with Audible Alarm

The **ICM345** is a low cost condensation sensing control with an integral anti-short cycle delay and audible/visual condensation alarm.

### Features

- Condensation sensing for overflow protection
- Audible and visual alarm when condensation is detected
- Anti-short cycle protection for compressor
- Works in conjunction with any thermostat or existing condensation control
- Alarm Silence Switch
- Elegant design



### Mode of Operation

Upon application of power, the **ICM345** will read the status of the Y-IN and float switch terminals. If 24 VAC is present at both terminals, the unit will energize an internal relay to allow the signal at Y-IN to transfer to the Y-OUT terminal to energize the compressor contactor. If the float switch opens while the compressor is energized, the control will de-energize the compressor and begin the 5-minute anti-short cycle delay. If the float switch remains open for 2 minutes, the audible and visual alarms will energize indicating that condensation is present. The alarms will not reset unless the Y signal from the thermostat is removed or the float switch closes, however, the audible alarm can be turned off by the alarm silence switch. If the float switch is open upon the next Y call from the thermostat, the unit will not allow the compressor contactor to energize (until the float switch is closed).

### Specifications

#### Input

- Voltage: 18-30 VAC
- Frequency: 50/60 Hz

#### Output

- Type: Relay
- N.O.: 1 amp @ 30 VAC
- Audible: Buzzer
- Visual: LED indicator

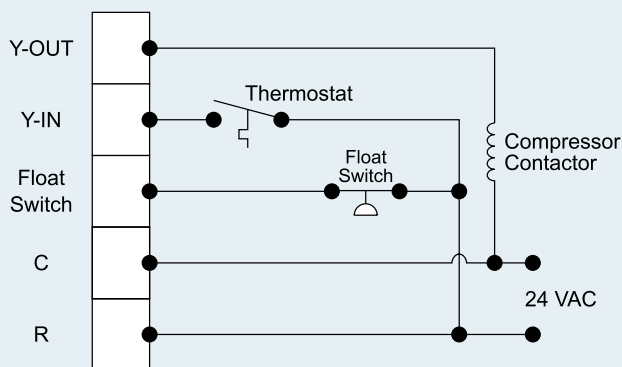
#### Time Delays

- Anti-short cycle: 5-minute fixed

#### Mechanical

- Dimensions: 4 1/2" x 2 3/4" x 7/8"
- Mounting: Wall mount (mounting kit included)

### Wiring Diagram



### Dimensions

