

### Features

- Ability to operate line voltage 3-speed fan motor with low voltage controls
- Compatible with 4-pipe, 2 pipe, electric heat, heat pump, auto-changeover
- 20 VA 24VAC power supply
- Suitable for 1/8 HP motors
- 1/4" Quick connect terminals
- Mounts with standard 3" track

### Mode of Operation

The ICM6200 allows a line voltage (115 VAC) 3-speed fan to be controlled via a low voltage (24 VAC) signal or thermostat, and also provides low voltage heating/cooling valve control.

### Specifications

#### Input:

- Transformer Primary: 115 VAC; 50/60Hz
- Fan Inputs HI, MED, LOW: Nominal 17mA @ 24 VAC
- Heat & Cool: 0.83A @ 24 VAC

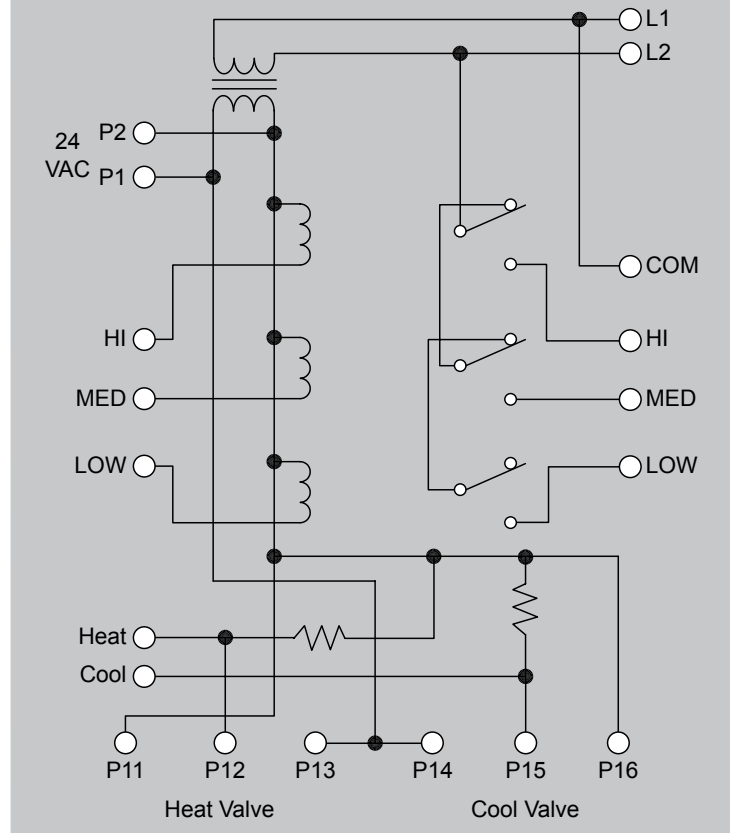
#### Outputs:

- Transformer Secondary: 24 VAC; 20 VA
- Relay outputs H, M, L: 1/8HP @ 115 VAC, 10A @ 240 VAC resistive max
- Heat & Cool Valves: 0.83A @ 24 VAC

#### Mechanical:

- 5.850" x 3.000" x 1.850"
- Mounts in standard 3" track

### ICM6200 Wiring Diagram - Internal



### ICM6200 Wiring Diagram - External

