

## Features

- Ability to operate line voltage 3-speed fan motor with low voltage controls
- Compatible with 4-pipe, 2 pipe, heat pump, auto-changeover
- 20 VA 24 VAC power supply
- Suitable for 1/8 HP motors
- 1/4" Quick connect terminals
- Mounts with standard 3" track

## Mode of Operation

The ICM6200 allows a line voltage (115 VAC) 3-speed fan to be controlled via a low voltage (24 VAC) signal or thermostat, and also provides low voltage heating/cooling valve control.

## Specifications

### Input:

- Transformer Primary: 115 VAC; 50/60 Hz
- Fan Inputs HI, MED, LOW: Nominal 17 mA @ 24 VAC
- Heat & Cool: 0.83 A @ 24 VAC

### Outputs:

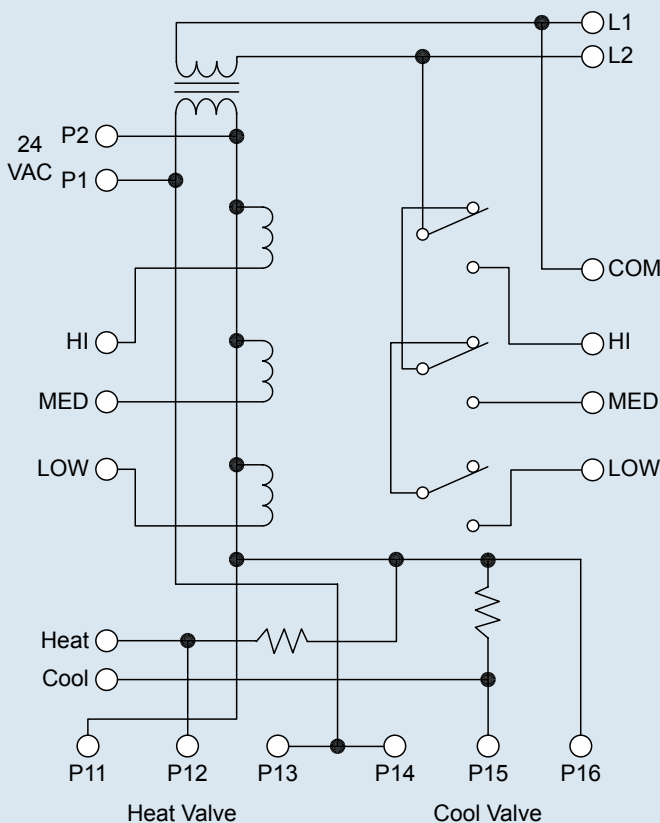
- Transformer Secondary: 24 VAC; 20 VA
- Relay Outputs H, M, L: 1/8 HP @ 115 VAC, 10 A @ 240 VAC resistive max
- Heat & Cool Valves: 0.83 A @ 24 VAC

### Mechanical:

- 5.850" x 3.000" x 1.850" – Mounts in standard 3" track

**Replaces:** Honeywell: W6380B  
Xactone: FC/H-2

## ICM6200 Wiring Diagram – Internal



## ICM6200 Wiring Diagram – External

