

ICM CC750 Comfort Control Center

Improve indoor air quality in your whole home utilizing your existing central air conditioner.

The CC750 Comfort Control Center enhances comfort and indoor air quality of your home or workplace by controlling the blower speed in your existing air conditioner or heat-pump. This unit improves comfort by removing excess moisture in the air because "drier air is more comfortable." The CC750 protects your home from mold propagation by keeping humidity levels low; it has been shown that humidity levels below 55% relative humidity minimize mold growth. The CC750 enhances comfort and indoor air quality while saving electricity.



- **Enhanced Comfort**
 - Drier air is more comfortable
 - Reduced fan noise for imperceptible fan operation
 - Hot discharge air for heat pump installations
- **Improved Indoor Air Quality**
 - Protects against mold and fungus growth
 - Allows more efficient use of other air cleaning devices
- **Reduced Energy Costs**
 - Improved overall system efficiency
 - Allows for higher set point temperatures in the home while improving the overall perception of comfort
- **Stand-alone Product**
 - CC750 eliminates the need for extra equipment

Mode of Operation

CC750 series products are variable frequency/variable voltage fan motor speed controls that vary the blower speed based on the evaporator and return air temperature. A field adjustable temperature differential between the evaporator and the return air duct is maintained by controlling the blower speed.

A simple to use, menu driven programming allows the installer the latitude to tune the control to a wide variety of installations.

Product Features

- Simple menu-driven programming
- Uses existing motor
- May be mounted in or out of the air handler
- Easy installation
- Motor lubrication algorithm
- Inverter bypass
- Inverter recovery
- Variable frequency/variable voltage drive
- Over-current protection
- Standard thermostat interface

Programming Features

- Differential temperature setting
- Minimum frequency
- Maximum frequency
- G call frequency
- Skip frequency
- Maximum run time
- Power setting
- Repeat cycle function B or O active (for heat pumps)
- Discharge temperature
- Minimum coil temperature
- Maximum coil temperature

Specifications

Ratings

- **Nominal 24 VAC inputs ($\pm 25\%$):** 18-30 VAC RMS absolute
- **Operating temperature:** -40°F to +167°F (-40°C to +75°C)
- **Power consumption:** 10 watts typical

Line Ratings – Nominal 115 VAC RMS

- **Inverter operation:** 95-135 VAC RMS absolute
- **Bypass operation:** 85-145 VAC RMS absolute
- **Maximum inverter amps:** 10 amps RMS
- **Maximum bypass amps:** 20 amps (60 Hz)

Line Ratings – Nominal 208-230 VAC RMS

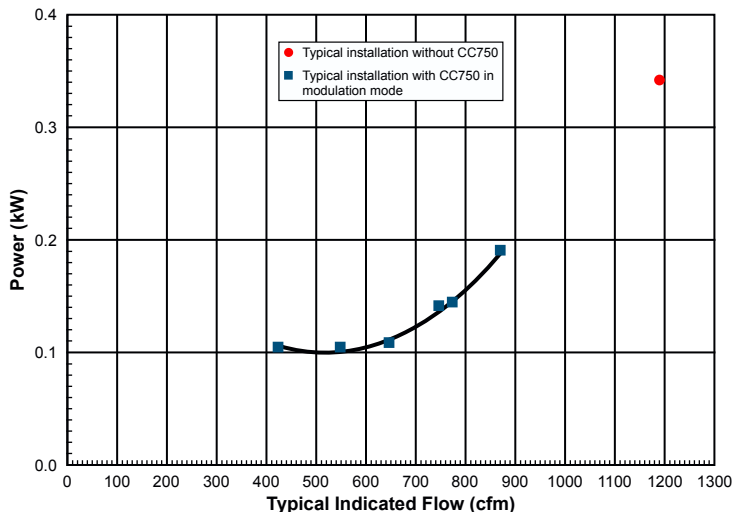
- **Inverter operation:** 180-264 VAC RMS absolute
- **Bypass operation:** 170-264 VAC RMS absolute
- **Maximum inverter amps:** 8.5 amps RMS
- **Maximum bypass amps:** 10 amps (60 Hz)

Ordering Information

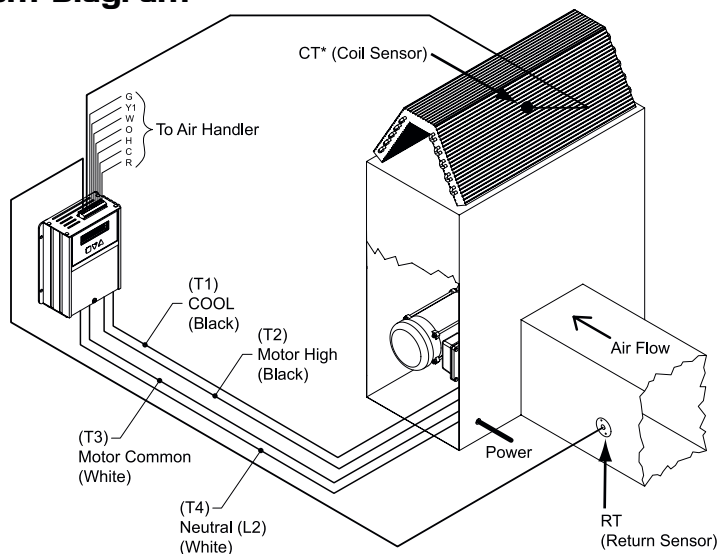
115 VAC (Order CC750-115)

230 VAC (Order CC750-230)

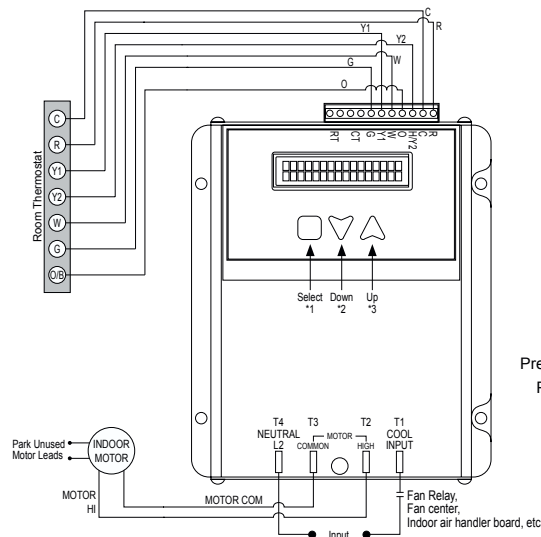
CC750 Power Savings Illustration



System Diagram



A/C or Heat Pump Connections



KEY FUNCTIONS

- *1 Press **select** to select screen
- *2 - *3 Press **down** or **up** to select setting(s)
- Press **select** to store setting and proceed to next option