



SimpleComfort® SC1001/SC1001V

SC1001/SC1001V
Terminations

R C W Y O B G

SINGLE STAGE HEAT/COOL

Non-Programmable

Simple control for year-round comfort. This easy-to-operate comfort command center allows you to match temperature to your family's lifestyle. Attractive, extra-rugged, highly reliable and accurate, this thermostat's elegant design will look and perform like new for years to come.



SC1001V



- Single-stage heat/cool
- Single-stage heat pump
- New ICM patented Thermal Intrusion Barrier
- Simple operation
- Easy slide bar temperature adjustment
- Easy view adjustment scale
- Accuracy: $\pm 1^{\circ}\text{F}$
- 2°F fixed temperature differential
- Hardwired
- Manual changeover
- Compatible with gas, oil and electric systems
- Zone compatible
- Freeze protection



SC1001

SC1001V



- Single-stage heat/cool
- Single-stage heat pump
- Gas, oil or electric systems
- Zone compatible
- Manual changeover

Non-Programmable Single-Stage Heat/Cool Hardwired

Specifications

Electrical Rating:

- 24 VAC (18-30 VAC)
- 1 amp maximum per terminal
- 3 amp maximum total load
- 60-minute power backup
- Easy access terminal block

Temperature Control Ranges:

- 55°F to 90°F, Accuracy: ±1°F

System Configurations:

- Single-stage heat, single stage cool or single stage heat pump, gas, oil, electric

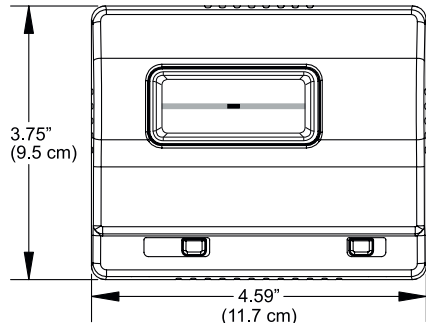
Terminations: R, C, W, Y, O, B, G

Ordering Information:

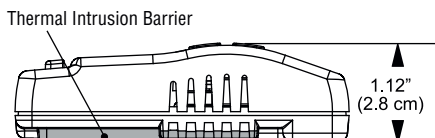
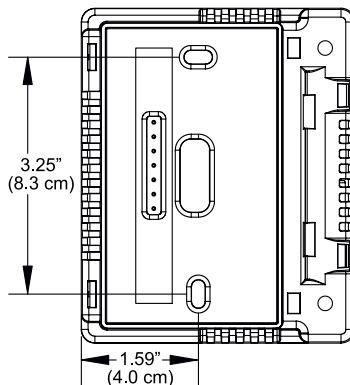
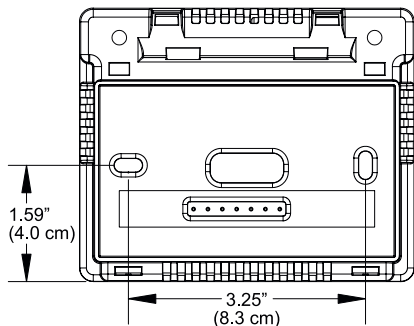
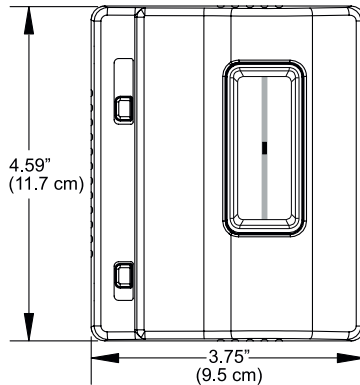
- Horizontal design: SC1001
- Vertical design: SC1001V

Dimensions

SC1001: Horizontal design



SC1001V: Vertical design



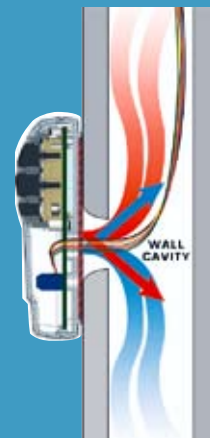
Specifications subject to change without notice.

Patent No. Design: 424,953
 Patent No. Thermal Intrusion Barrier: 6,597,275
 Patent Pending SimpleSet™ Target Programming

1-800-365-5525
www.icmcontrols.com

NEW Thermal Intrusion Barrier

Exclusive, patented insulation technology eliminates thermal drift caused by wall effect.



If you like this model, be sure to try out these other thermostats from ICM Controls!

SimpleComfort® PRO Series – Innovation and technology that simplifies installation and increases profitability!

- Flexible 7-day, 5-2-day and 5-1-1-day programming (programmable models)
- ICM's patented Thermal Intrusion Barrier
- ICM's patent-pending SimpleSet™ Target Programming technology
- Large display with backlight
- Permanent memory
- Auto or manual changeover
- Field adjustable calibration
- Configurable remote sensor compatible
- Keypad lockout
- Soft-touch controls

Programmable Thermostats

- SC5010** – One-stage heat/cool or heat pump, dual powered
- SC5011** – One-stage heat/cool or heat pump, hardwired
- SC5211** – Two stage heat pump, hardwired
- SC5811** – Two-stage heat/cool or heat pump, hardwired
- SC5812** – Three-stage heat/two-stage cool or heat pump, dual fuel compatible, hardwired

Non-Programmable Thermostats

- SC4010** – One-stage heat/cool or heat pump, dual powered
- SC4211** – Two stage heat pump, hardwired
- SC4811** – Two-stage heat/cool or heat pump, hardwired

