

# IG SERIES

## FLAT HOT SURFACE FURNACE IGNITERS

Supco's IG series flat hot surface igniters offer dependable ignition in all heating applications; including furnaces, boilers, rooftops, unit heaters, water heaters, swimming pool heaters and many other types of heating equipment. The SUPCO Flat Igniters offer an efficient, stronger more reliable hot surface Silicon Carbide (SiC) composition that uses a PATENT PENDING NANOTECHNOLOGY, compared to the existing Silicon Carbide design that has been used in heating equipment for years.



### Features/Benefits

- Faster time to temperature response
- Stronger more durable design
- More robust in transit
- Higher resistance to oxidation
- Longer usable life
- 18 gauge nickel copper high temperature fiberglass insulated lead wires
- All kits include the necessary hardware, instructions (where applicable) and cross reference information for easy installation.
- Lower power consumption
- Superior gas lighting ability



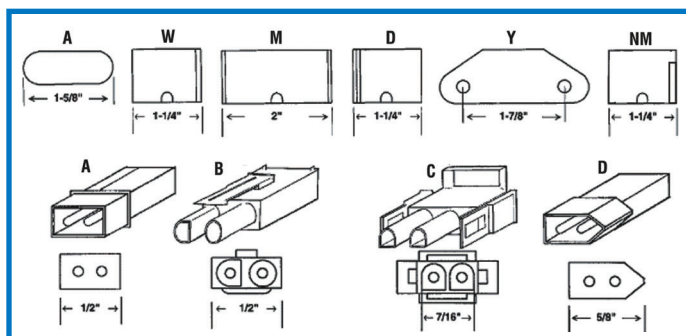
### Specifications

- Time to temperature (1800° F): <17 seconds @ 102 VAC
- Voltage: 120 VAC
- Amperage: 3.5 – 5 AMPS @ 132 VAC maximum
- Cold Resistance: 40 - 100 OHMS @ 75°F +/- 10°F

Eight kits are available.  
Three universal and five exact kits that replace fifteen Robertshaw part numbers to minimize inventory.

### Product Information

UNIVERSAL KITS	ROBERTSHAW	CERAMIC BLOCK	TERMINAL CONNECTOR
IG4000	41-402	W	N/A
	41-403	M	N/A
	41-404	M	D
	41-405	D	N/A
	41-407	M	B
	41-408	W	C
	41-409	M	D
	41-410	W	B
	41-412	NM	D
	41-414	NM	D
	41-1090	W	N/A
IG402K	41-238	W	N/A
	41-242	W	N/A
	41-402	W	N/A
	41-408	W	C
	41-410	W	B
IG403K	41-411	W	C
	41-403	M	N/A
	41-404	M	D
	41-407	M	B
EXACT KITS	41-409	M	D
	41-401	A	A
	41-405	D	N/A
	41-406	Y	N/A
IG412	41-412	NM	D
IG414	41-414	NM	D



**IG402K Cross Reference**

OEM	OEM P/N	Robertshaw® P/N	Exact	Functional
American Road Equipment	201W	41-402		X
Armstrong Air	38322B001	41-402		X
Claire Brothers	C-238	41-402		X
Claire Brothers	C-242	41-402		X
Coleman	1474-051	41-402		X
Coleman	1474-052	41-402		X
DMO Industries	20834	41-402		X
Dornback Furnace	271 W	41-402		X
Enerco Tech	10399	41-402		X
Evcon	1474-051	41-402		X
Evcon	1474-052	41-402		X
HUPP Industries	9050	41-402		X
Majestic	75-92-104	41-402		X
Majestic	75-92-105	41-402		X
Metzger	201N	41-402		X
Metzger	201W	41-402		X
Mor Flo	3200618	41-402		X
Nordyne	105141000	41-402		X
Nordyne	632-0880	41-402		X
Nordyne	632-0770	41-402		X
Norton	201K	41-402		X
Norton	201L	41-402		X
Norton	201R	41-402		X
Norton	201W	41-402		X
Norton	271N	41-402		X
Norton	271W	41-402		X
Rheem	62-22441-01	41-408	X	
Rheem	62-22441-01	41-402		X
Rheem	62-22868-02	41-411		
Rheem	62-22868-82	41-411	X	
Rheem	62-22868-93	41-411		
Roberts Gordon	90436600	41-402		X
Superior Fireplace	94851	41-402		X
Trane Company	B144676P01	41-410	X	
Trane Company	B340039P01	41-408	X	
Trane Company	340039P01	41-402		X
Trane Company	IGN23	41-402		X
Trane Company	IGN34	41-408	X	
Wayne Home Equipment	62821-001	41-402		X
Wayne Home Equipment	62821-002	41-402		X
White LB Company	120-07549	41-402		X
White Rodgers	767A-357	41-402		X
Williamson	9050	41-402		X

**Supco Flat Igniter Cross Reference**

SUPCO® P/N	OEM P/N	OEM	Robertshaw® P/N	Exact P/N	Functional
IG401	Amana	B1336102	41-401	X	
IG401	Amana	D99182	41-401	X	
IG401	Amana	10041601	41-401	X	
IG401	Norton	201A	41-401	X	
IG401	Norton	271A	41-401	X	
IG401	Trianco-Heatmaker	2600-359	41-401	X	
IG401	White Rodgers	767A309	41-401	X	
IG401	White Rodgers	767A356	41-401	X	
IG405	Detroit Radiant	201D	41-405	X	
IG405	Norton	201D	41-405	X	
IG405	Norton	271P	41-405	X	
IG405	Smith HB	50018	41-405	X	
IG405	Viessman	9302094	41-405	X	
IG405	White Rodgers	767A361	41-405	X	
IG405	York International	025-27766-000	41-405	X	
IG405	York International	025-27774-000	41-405	X	
IG405	York International	025-29043-000	41-405	X	
IG405	York International	025-29050-000	41-405	X	
IG406	American Appliance	271B	41-406	X	
IG406	Comfort Zone	150114-04-01	41-406	X	
IG406	Mor Flo	3200580	41-406	X	
IG406	Mor Flo	3210401	41-406	X	
IG406	Norton	201J	41-406	X	
IG406	Norton	201M	41-406	X	
IG406	Norton	201N	41-406	X	X
IG406	Norton	201Y	41-406	X	
IG406	Norton	271M	41-406	X	
IG406	Norton	271Y	41-406	X	
IG406	Perfection Schwank	108803-G1	41-406	X	
IG406	Weil McLain	511-330-188	41-406	X	
IG412	Goodman	B1401009	41-412	X	
IG412	Intercity Products	1009604	41-412	X	
IG414	Arcoaire	1096048	41-414	X	
IG414	Arcoaire	1380680	41-414	X	
IG414	Comfortmaker	1096048	41-414	X	
IG414	Heil	1096048	41-414	X	
IG414	Intercity Products	1096048	41-414	X	
IG414	Norton	271NM	41-414	X	
IG414	Tempstar	1096048	41-414	X	

Note: Partial Cross Reference. Contact SUPCO for complete Cross Reference.

**IG403K Cross Reference**

OEM	OEM P/N	Robertshaw® P/N	Exact	Functional
Carrier Corp	LH33ZS001A	41-409	X	
Carrier Corp	LH33ZS002	41-409	X	
Ducane	20015201	41-409	X	
Norton	201	41-403		X
Norton	271	41-403		X
Raypak	600915	41-403		X
Roberts Gordon	90434300	41-409		X
Snyder General	1380672	41-409	X	
Snyder General	1380680	41-409	X	
Snyder General	1380654	41-403		X
Trane Company	B138196P01	41-403		X
Trane Company	IGN26	41-409	X	
Trane Company	IGN26	41-403		X
Trane Company	IGN30	41-407	X	
Trane Company	IGN30	41-403		X
Weil McLain	511-330-139	41-409	X	
Weil McLain	511-330-193	41-403		X
Weil McLain	511-330-190	41-404	X	

**IG4000 Flat Universal Silicon Carbide**

Amana	John Woods/ GSW PV.	L.B. White Co	Roberts-Gordon	Williamson	Robertshw/ Uniline
10735002	86483	120-07549	90434300	09050	41-238
Arco Air	See ICP	Lennox	90436600	York	41-242
Armstrong	50018	33J3701	Superior	025-32626-000	41-402
38322B001	Hupp Ind	Majestic	Fireplace	473-12509-001	41-402
Claire Bros.	9050	75-92-104	94851	373-09154-700	41-403
C238	Raypak	75-92-105	Trane	025-27774-000	41-404
C238-1	600915	Metzger	3400339P01	025-29043-000	41-405
Coleman/Evcon	201N	201N	B340039P01	025-29050-000	41-407
14740511	Icp/Heil/	201W	B12996P01	025-27766-000	41-408
14740512	Arco Air	Mor-Flo	B144676P01	025-30277-000	41-409
Detroit/	Comfortmaker	3200618	B144676P02	025-32638-002	41-410
Brant Radiant	Tempstar	Nordyne/Tappan	B138196P01	025-32625-000	41-412
201D	Keeprite	Frigidaire/Philco	IGN21	025-31801-000	41-414
DMO/Olsen	1009604	Intertherm/Miller	IGN23	373-05342-700	41-1090
ECR Ind.	1096047	903110	IGN26	Norton	White
26789	1096048	105141000	IGN28	101M	Rodgers
20834	1001344	RH622286893	IGN30	201D	767A-301
Dornback	1380680	632-0770	IGN34	201K	767A-303
271W	1148245	632-0880	Viessmann	201L	767A-306
Ducane	Integra	902661	9302-093	201M	767A-310
20015201	6905032	902694	9302-094	201P	767A-311
Enerco Tech.	3260618	903758	Wayne Home	201W	767A-350
10399	Johnstone	632-3811	Equipment	271D	767A-353
Goodman/ Janitrol	L37-699	632-3540	62821-001	271M	767A-354
B1172606	L37-700	Rheem Rudd	62821-002	271N	767A-357
B1193939	L37-812	62-22868-93	Weil McLain	271P	767A-361
B1401009	L37-814	62-22441-01	29074	271R	767A-364
B1401015	L37-815	62-22868-82	511-330-139	271RS	767A-365
B1401018	L37-816	511-330-193	511-330-190	271W	767A-366
		511-330-190	271NM		767A-370
					767A-371
					767A-372



**SEALED UNIT PARTS CO., INC.**  
PO Box 21, 2230 Landmark Place  
Allenwood, NJ 08720 USA  
www.supco.com

F174-0806  
Rev. 08172015