



Sealed Unit Parts Co., Inc.

2230 Landmark Place • Allenwood, NJ 08720 USA
Phone: 732-223-6644 • Fax: 732-223-1617
www.supco.com • info@supco.com

INSTALLATION DATA

IG-404

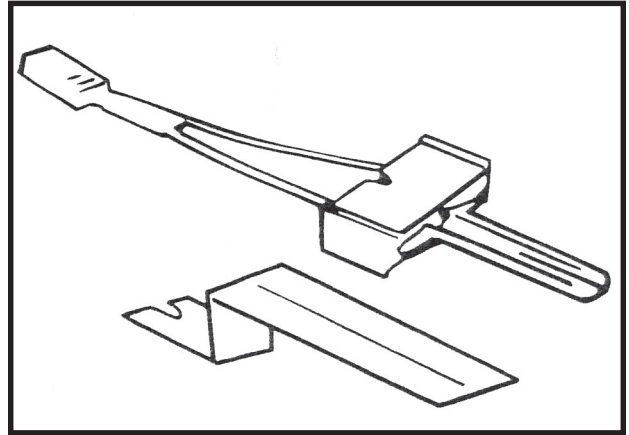
HOT SURFACE FURNACE IGNITOR EXACT REPLACEMENT WEIL-McLAIN

511-330-190

The IG-404 is specifically designed to replace Weil-McLain part number 511-330-190, used on furnace models HE/VHE series 3.

CAUTION

THIS DEVICE SHOULD BE INSTALLED BY A QUALIFIED TECHNICIAN WITH DUE REGARD FOR SAFETY AS IMPROPER INSTALLATION COULD RERESULT IN A HAZARDOUS CONDITION.



INSTALLATION INSTRUCTIONS

DANGER! Hot surface ignitors get hot! up to 2500°F. Therefore wait several minutes allowing the ignitor to cool down, before attempting any service work. Failure to do so will cause severe personal injury.

1. Warning Turn off all gas and electrical power to the equipment being serviced. Failure to do so can cause severe injury, death or property damage.

2. Remove the front panel from the boiler. See figure #1.

3. Carefully disconnect the ignitor plug from the wiring harness.

4. Disassemble and remove the access panel.

5. Disassemble and remove the ignitor mounting bracket.

6. Remove the old ignitor from the ignitor mounting bracket.

7. Carefully assemble the new ignitor and its shield onto the ignitor mounting bracket. See figure #2 for proper assembly.

8. Reinstall the ignitor mounting bracket and then the access panel.

9. Reconnect the ignitor and the wiring harness.

10. Proceed to "system check-out procedures" on back of page.

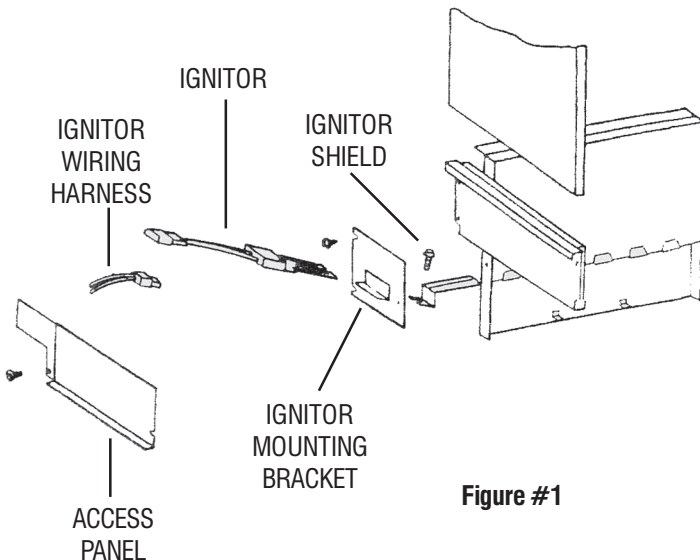


Figure #1

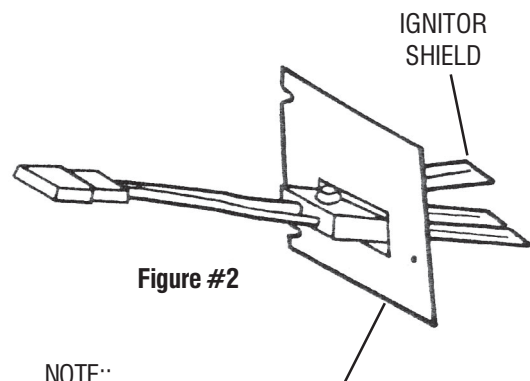


Figure #2

NOTE:
COLD IGNITOR
RESISTANCE
40 TO 75 OHMS.

IGNITOR
MOUNTING
BRACKET

INSTALLATION INSTRUCTIONS (Cont'd)

SYSTEM CHECK-OUT PROCEDURES

1. Turn thermostat down below set point. (No call for Heat.)
2. Restore gas and electrical power to the equipment being serviced.
3. Test ignition module safety shut-off.
 - A. Turn off manual gas cock on the gas valve.
 - B. Connect a voltmeter to the gas valve terminals. Set meter to read 24 VAC.
 - C. Turn thermostat up - calling for heat.
 - D. Ignitor should glow white-hot for 45 seconds. During this time the voltmeter will read 24 VAC
 - E. At the end of 45 seconds, the gas valve main valve should "click" in and for an additional 7 seconds you will read 24 VAC, at the end of 7 seconds you will see the meter drop to 0 and you will hear the valve "drop out". The ignitor will also turn-off.
4. Put system into operation:
 - A. Turn on gas at the valve.
 - B. Turn thermostat to lowest setting then turn it up to call for heat.
 - C. Follow the "lighting instructions label" on the broiler.
5. With the main burner on check for proper burner flame. Improper flame would be:
 - A. Large flames - overfired
 - B. Small flames - underfired
 - C. Yellow tipping on flames - lack of primary air.
 - D. Yellow/orange streaks - caused by dust.
6. Testing boiler safety controls:

If boiler is equipped with a low water safety cut-off or other additional safety controls they should be tested for proper operation as specified by the control manufacturer. Note: burners should be operating and should go off when controls are tested. Burner should re-ignite when safety controls are reset.
7. Testing limit controls:
 - A. While burners are on, move limit controls temperature indicator below actual set point, or below water temperature.
 - B. Main burner and blower should go off.
 - C. Circulator should continue to run.
 - D. Move limit control temperature indicator back to it's original setting. Main burner should be re-ignite. Note: Maximum high limit setting is 220°F.
8. Testing temperature thermostat:
 - A. Turn thermostat or temperature control to its highest setting.
 - B. Verify that boiler goes through its normal start-up procedure.
 - C. Turn thermostat to its lowest setting - boiler should shut-off.
9. Repeat step #8 two or three times and observe for proper operation.
10. Return thermostat to desired temperature.
11. Re-install front panel that was removed in step #2 on the front page.