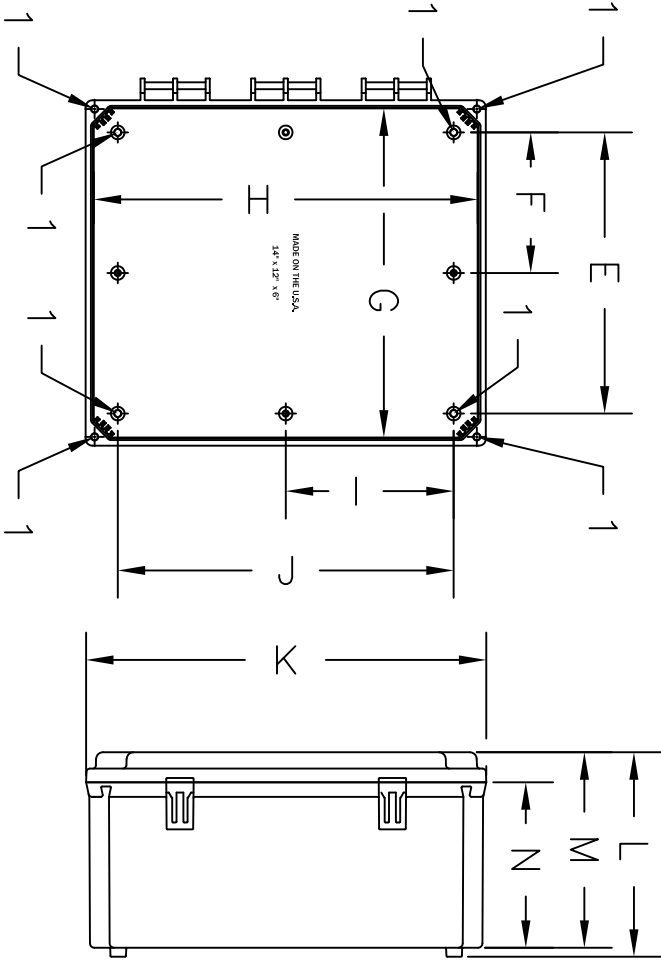
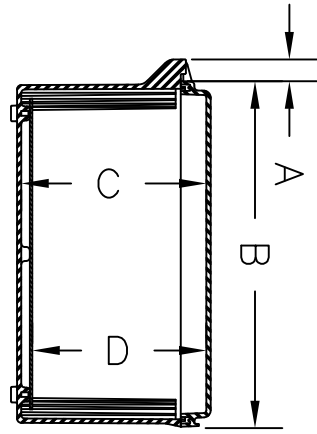
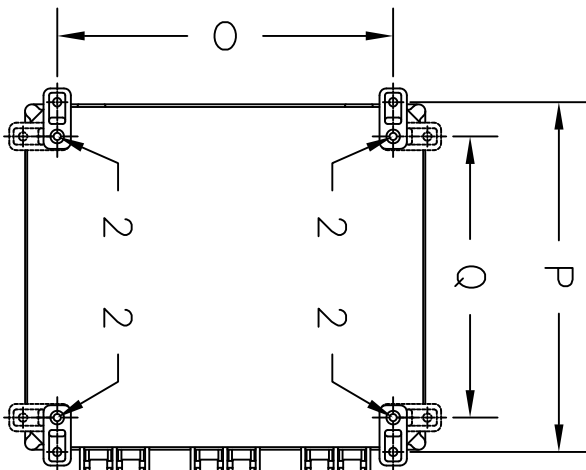


NOTES:
 HOLES MARKED WITH "1" DENOTE #10-32UNF THREADED BRASS INSERT INSTALLED
 HOLES MARKED WITH "2" DENOTE 1/4-20UNF THREADED BRASS INSERT INSTALLED



DIM.	INCHES	DIM.	INCHES
A	13/16	J	12-1/4
B	12-5/8	K	14-5/8
C	6-3/4	L	7-7/16
D	6-3/8	M	7-1/8
E	10-1/4	N	6-1/8
F	5-1/8	O	12-1/4
G	12	P	12-3/4
H	14	Q	10-1/4
I	6-1/8		



CHANGES	TOLERANCES	DRAWN BY	DATE
F	DECIMALS	C. BARBICK	03/29/10
E	XXX = ±.000		
D	FRACTIONAL		
C	X/2 = ±.1/64		
B	ANGLES		
A	X = ±1/2		

MATERIAL SPECIFICATION:	ENCLOSURE DIMENSIONS
POLYCARBONATE	PC-141206-HXXX



MADE ON THE USA
 14" x 12" x 6"