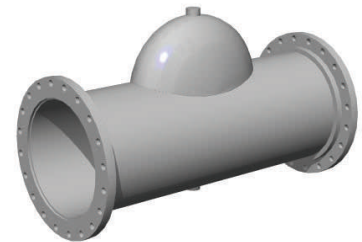


Job Name: _____		
Job No.: _____	JWC Representative: _____	
Tag No.: _____	Submitted By: _____	Date: _____
Engineer: _____	Approved By: _____	Date: _____
Contractor: _____	Order No.: _____	Date: _____

JWAR / JWAP Series

In-line Air Purgers With Integral Flow Baffle Not for Potable Water



APPLICATION

- Air purgers are used to continuously separate and collect air from circulating system water.
- JWAR / JWAP Series in-line air purgers are designed with an integral flow baffle to enhance the air separation efficiency.
- The flow across the baffle allows the separated air to collect and be automatically vented through a float type air vent.

SPECIFICATIONS

- Non-ASME
- Installation: horizontal
- Shell: Carbon Steel with exterior gray primer finish
- System connections: 150# RF ANSI flanges
- Vent and drain connections: NPT

DESIGN PRESSURE AND TEMPERATURE

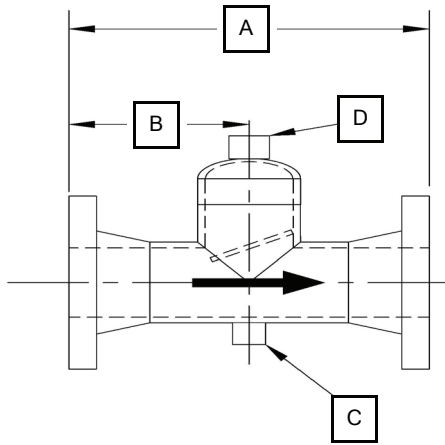
- Maximum design pressure: 150 PSI (1035 kPa)
- Maximum design temperature: 550°F (288°C)

TYPICAL DESIGN SPECIFICATION

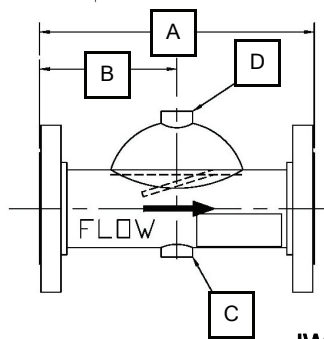
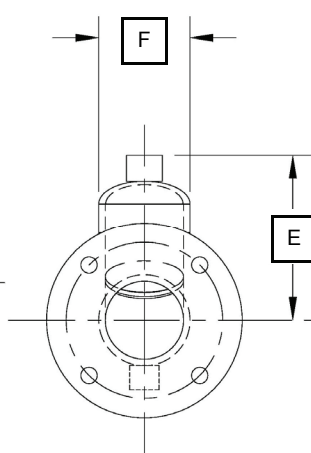
Furnish and install as shown on plans a John Wood Model No. JWAR / JWAP-69-_____ in-line air purger with integral flow baffle. The unit shall have _____" 150# RF ANSI system connections and NPT drain and vent connections. The air purger must be designed with a maximum working pressure of 150 PSI (1035 kPa) and a maximum design temperature of 550°F (288°C).



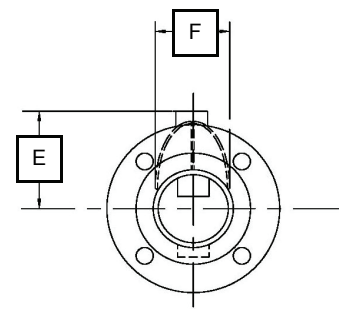
JWAR / JWAP Series



JWAR-69-003 and JWAP-69-004



JWAP-69-005 to JWAP-69-024



MODEL NUMBER	MAWP	INLET / OUTLET CONNECTIONS		A LENGTH		B DIM	C DIM	D DIM	E DIM	F DIM	EST WGT
		IN	TYPE	IN	MM	IN	IN	IN	IN	IN	
JWAR-69-003	150	3	FLANGED	12¼	311	6⅝	½	¾	5⅝	3½	40
JWAR-69-004	150	4	FLANGED	14¼	362	7⅝	½	¾	6⅝	4½	50
JWAP-69-005	150	5	FLANGED	15	381	7½	1½	1½	5⅝	4¾	63
JWAP-69-006	150	6	FLANGED	18	457	9	1½	1½	6½	6	85
JWAP-69-008	150	8	FLANGED	24	610	12	1½	1½	9½	7	136
JWAP-69-010	150	10	FLANGED	30	762	15	1½	1½	11	7	239
JWAP-69-012	150	12	FLANGED	36	914	18	1½	1½	13¼	7¼	350
JWAP-69-014	150	14	FLANGED	42	1067	21	1½	1½	14¼	8⅝	430
JWAP-69-016	150	16	FLANGED	48	1219	24	1½	1½	15⅝	11⅝	530
JWAP-69-018	150	18	FLANGED	54	1372	27	1½	1½	17¼	11	659
JWAP-69-020	150	20	FLANGED	60	1524	30	2	2	20⅝	14¾	825
JWAP-69-024	150	24	FLANGED	66	1676	33	2	2	25¼	16	1025

Dimensions are subject to change.
Shipping weights are approximate.





JWAR / JWAP Series

PRESSURE DROP CHART FOR IN-LINE AIR PURGERS

