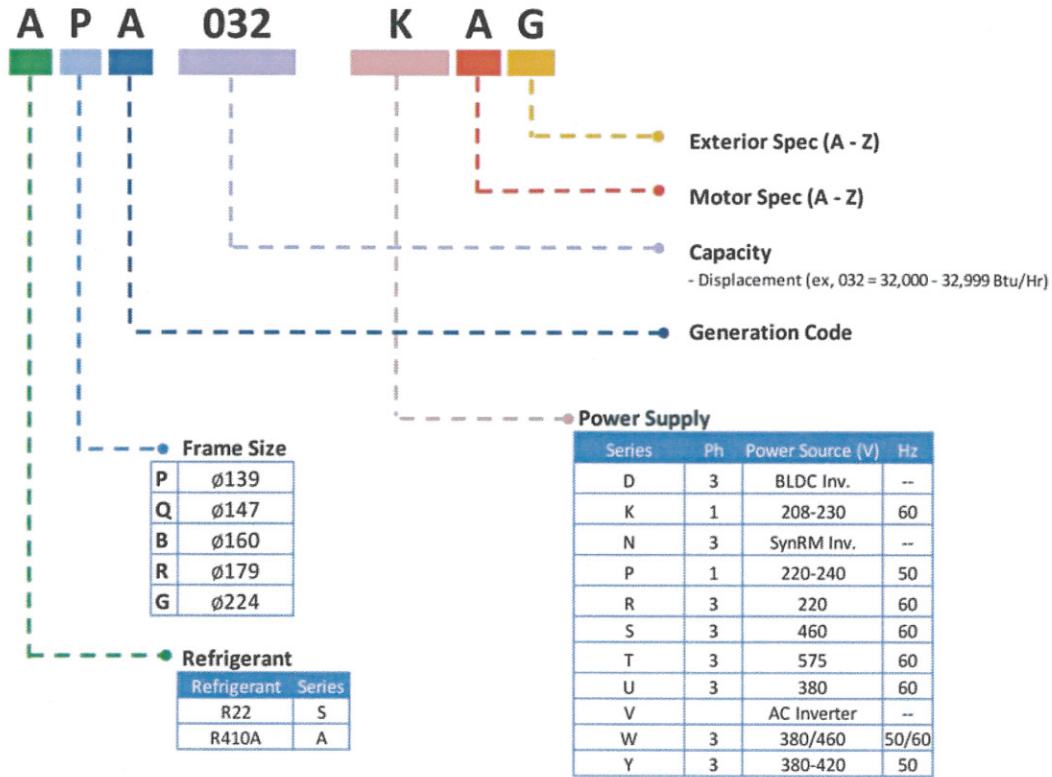


LG SCROLL COMPRESSORS

LG Scroll Compressor Part Numbering System



LG Scroll Compressor Label

LG Electronics Inc.

APA032KAG

THERMALLY PROTECTED R410A

1 PH 60 Hz 208-230V~ LRA 70 MCC 23.8

SERIAL NO.041S0047VD27-D00001

OIL	WEIGHT	RUN CAP.
POE(27.1oz)	54.67lb	45 MFD / 440 VAC

MADE IN KOREA RoHS

MODEL : APA032KAG
S/NO:041S0047VD27-D00001

WARNING

Service should be performed by trained personnel only.

ELECTRIC SHOCK HAZARD

- Ground the equipment securely.
- Turn off the power before servicing.
- Retain Terminal Cover in position whenever power is applied to this compressor.

BURN HAZARD

- Do not touch the Compressor with bare hands during operation or after stoppage instantly.

EXPLOSION OR FIRE

- Wear safety goggles and gears as system contains oil and refrigerant under pressure.
- Do not compress air.
- Do not use refrigerant and lubricants besides those specified.
- Make sure to connect right way with valves.

UL
596255

LG Scroll Compressor Box Label

6.18in (157mm)

APA032KAG

COMPRESSOR : SCROLL 208/230/60/1, R410A
Nominal Capacity at Rated Conditions(In Thousands) Btu / hr : 30.5
Run Cap. MFD/VAC : 45/440
INCLUDES : COMPRESSOR, SINGLE HARNESS, GASKET, TERMINAL COVER, THERMISTOR ASSEMBLY, SENSOR COVER, RETURN LABEL AND INSTRUCTION SHEET

Made in Korea

Serial No. 37XE26-D00001

1EA

4.17in (106mm)

LG SCROLL COMPRESSORS

LG Scroll Compressor Technical Detail for R-410A Models

R-410A SERVICE MODEL	CAPACITY BTU/HR	APPL	PHASE	VOLTAGE	HZ	RUN CAP MFD/VOLTS	OIL TYPE	POE VG32 CHARGE (OZ.)
APA016KAC	15,200	AC/HP	1	208-230	60	35/370	POE	27.1
APA020KAC	19,500	AC/HP	1	208-230	60	35/370	POE	27.1
APA024KAB	22,400	AC/HP	1	208-230	60	40/370	POE	27.1
APA029KAC	28,000	AC/HP	1	208-230	60	45/440	POE	27.1
APA032KAG	30,500	AC/HP	1	208-230	60	45/440	POE	27.1
AQA038KAB	37,700	AC/HP	1	208-230	60	60/440	POE	43.3
AQA039KAC	39,000	AC/HP	1	208-230	60	60/440	POE	43.3
AQA042KAE	41,500	AC/HP	1	208-230	60	70/440	POE	43.3
ABA049KAB	48,000	AC/HP	1	208-230	60	70/440	POE	50.7
ABA051KAF	51,500	AC/HP	1	208-230	60	75/440	POE	50.7
ABA054KAC	54,000	AC/HP	1	208-230	60	80/440	POE	50.7

LG Scroll Compressor R-410A Offering with Legacy Part Numbers (see note below)

Refrigerant	Legacy Part Number	OEM Part Number	Service Part Number
R-410A	-	-	APA016KAC
R-410A	-	-	APA020KAC
R-410A	-	-	APA024KAB
R-410A	RLC2821	APA029KAB	APA029KAC
R-410A	RLC3021	APA032KAD	APA032KAG
R-410A	RLC3721	AQA038KAA	AQA038KAB
R-410A	RLC3921	AQA039KAA	AQA039KAC
R-410A	-	AQA042KAB	AQA042KAE
R-410A	-	-	ABA049KAB
R-410A	RLC5221	ABA051KAE	ABA051KAF
R-410A	-	ABA054KAB	ABA054KAC

Note: Service part numbers will be sold upon inventory depletion of corresponding legacy part numbers.

LG Scroll Compressor Technical Detail for R-22 Models

R-22 SERVICE MODEL	CAPACITY BTU/HR	APPL	PHASE	VOLTAGE	HZ	RUN CAP MFD/VOLTS	OIL TYPE	MINERAL CHARGE (OZ.)
SQA022KAB	21,500	AC/HP	1	208-230	60	35/440	3GS	37.2
SQA026KAB	26,100	AC/HP	1	208-230	60	35/440	3GS	37.2
SQA032KAB	32,300	AC/HP	1	208-230	60	45/440	3GS	37.2
SQA038KAB	37,000	AC/HP	1	208-230	60	50/440	4GS	37.2
SQA042KAB	41,200	AC/HP	1	208-230	60	50/440	4GS	37.2
SR047KBE	47,600	AC/HP	1	208-230	60	60/440	4GS	55.8
SRA053KAB	53,500	AC/HP	1	208-230	60	70/440	4GS	55.8
SR057KCC	58,000	AC/HP	1	208-230	60	70/440	4GS	55.8
SR061RBO	62,000	AC/HP	3	208-230	60	-	4GSI	68.8
SR061SAB	61,500	AC/HP	3	460	60	-	4GSI	63.5

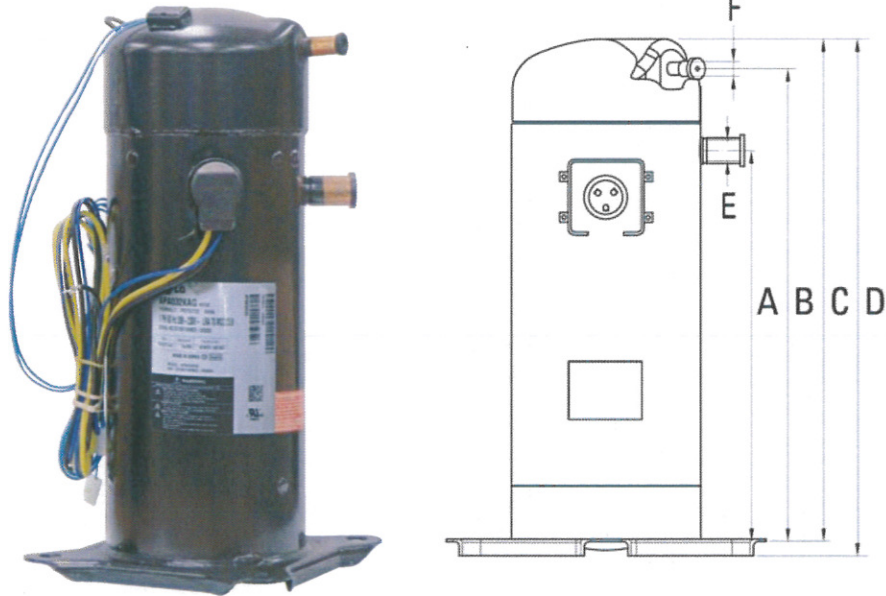
LG Scroll Compressor Accessories (see note below)

Description	Legacy Part Number	Service Part Number	Comments
Thermal Cut Out	RTC0061	AGG74119701	For use on all models
Molded Plug Assy	RMP0051	AGG74119801	For use on all R-410A models
Molded Plug Assy	-	AGG74119802	For use on all R-22 SQA models
Molded Plug Assy	-	AGG74119803	For use on all R-22 SRA/SR models
Molded Plug Assy	-	AGG74119804	For use on all R-22 SR 3 phase models
40W, 240V Crankcase Heater	-	P041-4443	For use on APA, AQA, ABA, SQA models
70W, 240V Crankcase Heater	-	HT32BH857	For use on all R-22 SRA/SR models

Note: Service part numbers will be sold upon inventory depletion of corresponding legacy part numbers.



LG Scroll Compressor Dimensions



LG Scroll Compressor Weight, Dimensions and Connection Size for R-410A Models

SERVICE MODEL	WEIGHT (LBS.)	DIMENSION A	DIMENSION B	DIMENSION C	DIMENSION D	SUCTION E	DISCHARGE F
APA016KAC	56	9.83	14.93	16.01	16.41	3/4	1/2
APA020KAC	56	9.83	14.93	16.01	16.41	3/4	1/2
APA024KAB	56	9.83	14.93	16.01	16.41	3/4	1/2
APA029KAC	56	9.83	14.93	16.01	16.41	3/4	1/2
APA032KAG	56	9.83	14.93	16.01	16.41	3/4	1/2
AQA038KAB	64	11.94	16.42	17.46	18.01	7/8	1/2
AQA039KAC	64	11.94	16.42	17.46	18.01	7/8	1/2
AQA042KAE	64	11.94	16.42	17.46	18.01	7/8	1/2
ABA049KAB	78	11.69	16.37	17.68	18.23	7/8	1/2
ABA051KAF	78	11.69	16.37	17.68	18.23	7/8	1/2
ABA054KAC	79	11.69	16.37	17.68	18.23	7/8	1/2

LG Scroll Compressor Weight, Dimensions and Connection Size for R-22 Models

SERVICE MODEL	WEIGHT (LBS.)	DIMENSION A	DIMENSION B	DIMENSION C	DIMENSION D	SUCTION E	DISCHARGE F
SQA022KAB	60	11.12	15.41	16.49	16.90	3/4	1/2
SQA026KAB	60	11.12	15.41	16.49	16.90	3/4	1/2
SQA032KAB	60	11.12	15.41	16.49	16.90	3/4	1/2
SQA038KAB	61	11.12	15.41	16.49	16.90	3/4	1/2
SQA042KAB	61	11.12	15.41	16.49	16.90	3/4	1/2
SR047KBE	96	12.79	17.24	18.39	18.94	7/8	1/2
SRA053KAB	96	12.79	17.24	18.39	18.94	7/8	1/2
SRA057KCC	96	12.79	17.24	18.39	18.94	7/8	1/2
SR061RBD	84	11.50	15.90	17.56	18.11	7/8	1/2
SR061SAB	80	11.50	15.90	17.56	18.11	7/8	1/2



Competitive Cross Reference - LG to Copeland and Danfoss R-410A Models

R-410A Models - Single Phase, 208-230 Volt, 60 Hz								
LG Scroll Compressors			Copeland Scroll Compressors			Danfoss Scroll Compressors		
LG Part Number	CAPACITY BTU/HR	RUN CAP MFD/VOLTS	COPELAND Part Number	CAPACITY BTU/HR	RUN CAP MFD/VOLTS	DANFOSS Part Number	CAPACITY BTU/HR	RUN CAP MFD/VOLTS
APA016KAC	15,200	35/370	ZP16K5E-PFV	15,500	30/370	N/A	N/A	N/A
APA020KAC	19,500	35/370	ZP20K5E-PFV	20,000	35/370	N/A	N/A	N/A
APA024KAB	22,400	40/370	ZP24K5E-PFV	24,000	40/370	N/A	N/A	N/A
APA029KAC	28,000	45/440	ZP28K5E-PFV	27,900	45/370	HRH029U1LP6	29,000	45/370
APA032KAG	30,500	45/440	ZP31K5E-PFV	31,100	45/370	HRH029U1LP6	29,000	45/370
AQA038KAB	37,700	60/440	ZP38K5E-PFV	37,500	45/370	HRH036U1LP6	35,404	55/370
AQA039KAC	39,000	60/440	ZP39K5E-PFV	39,000	45/370	HRH039U1LP6	39,510	60/370
AQA042KAE	41,500	70/440	ZP42K5E-PFV	42,000	70/370	HRH039U1LP6	39,510	60/370
ABA049KAB	48,000	70/440	ZP49K5E-PFV	49,400	70/370	HRH051U1LP6	51,798	70/370
ABA051KAF	51,500	75/440	ZP51K5E-PFV	51,000	70/370	HRH051U1LP6	51,798	70/370
ABA054KAC	54,000	80/440	ZP54K5E-PFV	54,000	80/370	HRH054U1LP6	54,498	80/370

Competitive Cross Reference - LG to Copeland and Danfoss R-22 Models

R-22 Models - Single Phase, 208-230 Volt, 60 Hz								
LG Scroll Compressors			Copeland Scroll Compressors			Danfoss Scroll Compressors		
LG Part Number	CAPACITY BTU/HR	RUN CAP MFD/VOLTS	COPELAND Part Number	CAPACITY BTU/HR	RUN CAP MFD/VOLTS	DANFOSS Part Number	CAPACITY BTU/HR	RUN CAP MFD/VOLTS
SQA022KAB	21,500	35/440	ZR21K5-PFV	21,000	35/370	N/A	N/A	N/A
SQA026KAB	26,100	35/440	ZR25K5-PFV	25,300	40/370	HRM025T1LP6	25,000	45/370
SQA032KAB	32,300	45/440	ZR32K5-PFV	32,600	50/370	HRM034U1LP6	34,103	45/370
SQA038KAB	37,000	50/440	ZR38K5-PFV	38,000	55/370	HRM038U1LP6	37,999	55/370
SQA042KAB	41,200	50/440	ZR42K5-PFV	42,200	55/370	HRM042U1LP6	42,005	60/370
SR047KBE	47,600	60/440	ZR48K5-PFV	48,200	60/440	HRM048U1LP6	47,706	60/370
SRA053KAB	53,500	70/440	ZR54K5-PFV	53,500	80/370	HRM054U1LP6	53,705	70/370
SR057KCC	58,000	70/440	ZR57K3-PFV	58,000	80/370	HRM058U1LP6	57,705	80/370

R-22 Models - Three Phase, 208-230/ 460 Volt, 60 Hz					
LG Scroll Compressors		Copeland Scroll Compressors		Danfoss Scroll Compressors	
LG Part Number	CAPACITY BTU/HR	COPELAND Part Number	CAPACITY BTU/HR	DANFOSS Part Number	CAPACITY BTU/HR
SR061RBD	62,000	ZR57/61K3-TF5	58,500/62,000	HRM058/60U2LP6	57,808/59,723
SR061SAB	61,500	ZR57/61K3-TFD	58,500/62,000	HRM058/60U4LP6	57,808/59,723

LG R-22 Competitive Cross-Reference

10 LG R-22 MODELS REPLACE 59 COPELAND & 36 DANFOSS/SCROLL TECH MODELS

Competitive Cross-reference Sheet

Copeland Model	ARI Capacity	Danfoss / Scroll Tech Model	ARI Capacity	LG Model	ARI Capacity
ZR21KA-PFV	21,000			SQA022KAB	21,500
ZR21K5-PFV	21,000				
ZR22K3-PFV	22,400				
ZR22KC-PFV	22,000				
ZR23K1-PFV	22,900				
ZR22K4-PFV	22,000				
ZR24K3-PFV	24,500			SQA026KAB	26,100
ZR24K4-PFV	24,400				
ZR24KC-PFV	24,300				
ZR25K5-PFV	25,300				
ZR26K3-PFV	26,600				
ZR26KA-PFV	26,000				
ZR26KC-PFV	26,500	HRM025T1	25,000		
ZR28K3-PFV	28,500				
ZR28K5-PFV	28,400				
ZR28KA-PFV	28,400				
ZR29KC-PFV	28,500			SQA032KAB	32,300
ZR30K3-PFV	31,100				
ZR30KC-PFV	31,100				
ZR32K3-PFV	32,600				
ZR32K5-PFV	32,600				
ZR32KA-PFV	32,600	HRM032U1	32,000		
ZR34K3-PFV	34,400	HRM034U1	34,103		
ZR34KA-PFV	34,400	SRC340	33,700		
ZR34KC-PFV	34,300	XCD340	34,103		
ZR36K3-PFV	36,900	XCD380	37,999		
ZR36KC-PFV	36,900	HRM038U1	37,999	SQA038KAB	37,000
ZR38K5-PFV	38,000	SCD380	37,400		
ZR38KA-PFV	38,000	SCD400	39,700		
ZR40K3-PFV	40,600	HRM040U1	39,999		
ZR40KC-PFV	40,600	XCD400	39,999		
ZR42K3-PFV	42,800				
ZR42K5-PFV	42,200				
ZR42KA-PFV	42,200	SCD420	41,700		
ZR42KC-PFV	42,000	HRM042U1	42,005		
ZR44KA-PFV	44,000	XCD420	42,005		
ZR44K5-PFV	44,000			SQA042KAB	41,200
ZR45KC-PFV	46,000	SRD450AC	44,100		
ZR45K3-PFV	46,000	HRM045U1	45,001		
ZR46K3-PFV	47,200	XCD450	45,001		
ZR47K3-PFV	48,200				
ZR48K5-PFV	48,200				
ZR47KC-PFV	47,500	HRM047U1	47,000		
ZR48K3-PFV	49,800	HRM048U1	47,706		
ZR48KC-PFV	49,500	SRD480AC	48,000		
ZR49K3-PFV	49,200	XRD480	47,706		
ZR52K3-PFV	52,000				
ZR54K3-PFV	55,000	HRM054U1	53,705		
ZR54K5-PFV	53,500	SRD540	54,100		
ZR54KA-PFV	53,500	XRD540	53,705		
ZR54KC-PFV	55,000			SR057KCC	58,000
ZR57K3-PFV	58,000	SRD/XRD580	57,900		
ZR57K5-PFV	57,500	HRM058U1	57,705		
ZR61K3-PFV	62,000	SRD/XRD600	60,000		
ZR61K5-PFV	62,000	HRM060U1	59,757		
ZR57K3-TF5	58,000	SRY/XRY580	57,900		
ZR61K3-TF5	62,000	HRM058/60U2	57,808/59,723		
ZR57KE-TFD	58,000	SRH/XRH600	60,000	SR061SAB	61,500
ZR61K3-TFD	62,000	HRM058/60U4	57,808/59,723		

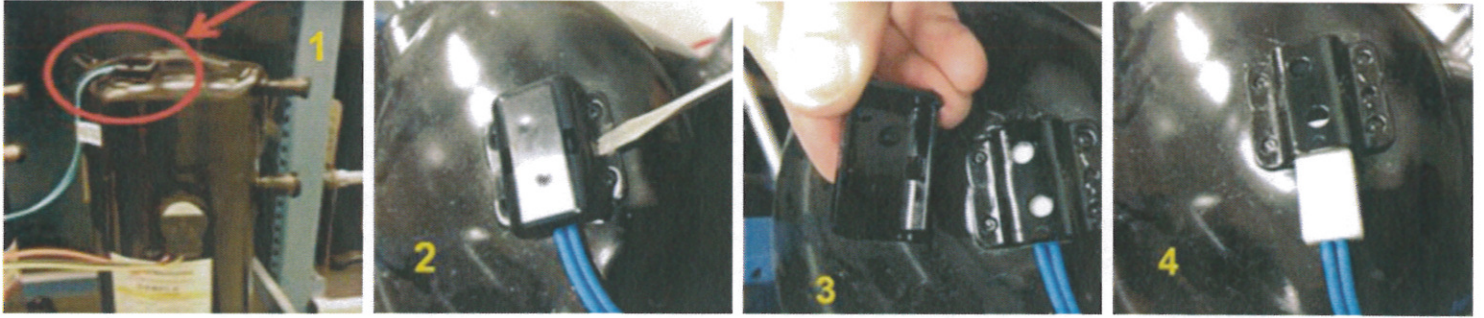
PFV models are 208/230-1-60 • TF5 models are 208/230-3-60

• TFD models are 460-3-60

Bolded models are latest Copeland design.



4 Easy Steps to Replace a Discharge Temperature Sensor



1. Locate top cap and discharge temperature sensor.
2. Carefully remove sensor cover.
3. Expose the sensor holder.
4. Slide out the sensor, slide in replacement, and reinstall the cover.

LG Scroll Compressor Thermal Protector and Molded Plug Assemblies



Figure 1 - Thermal Protector Assembly

1. Insert "Thermistor" into the bracket with rounded surface facing upwards
2. Press down "Thermistor Cover" firmly until clicked

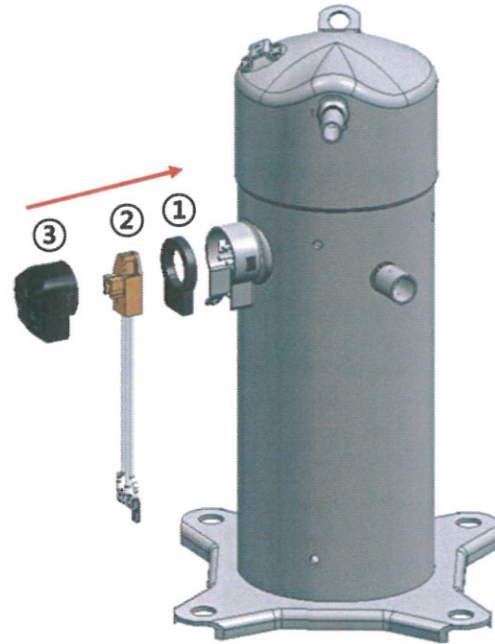


Figure 2 - Molded Plug Assembly

1. Insert "Gasket" around the terminals
2. Insert "Harness (Molded plug)" to terminal pins
3. Press down "Terminal Cover" firmly until clicked

NOTE: The two blue leads from the Discharge Temperature Switch (DTS) located on top of the compressor are to be wired in series between the High Pressure Switch (HPS) and Low Pressure Switch (LPS) (Safety Circuit) utilizing insulated quick disconnects. See wiring diagrams in Figures 3 & 4 on the next page and connection sequence in Figure 1 for reference.

NOTE: Molded plug is not interchangeable with plugs from other manufacturers. Always see connection sequence in Figure 2 for reference.

NOTE: Reference enclosed wiring diagrams and unit wiring diagrams in owner's manual to aid in reattaching electrical connections.

LG SCROLL COMPRESSORS

LG Scroll Compressor Wiring Diagrams

Figure 3 - Heat Pump

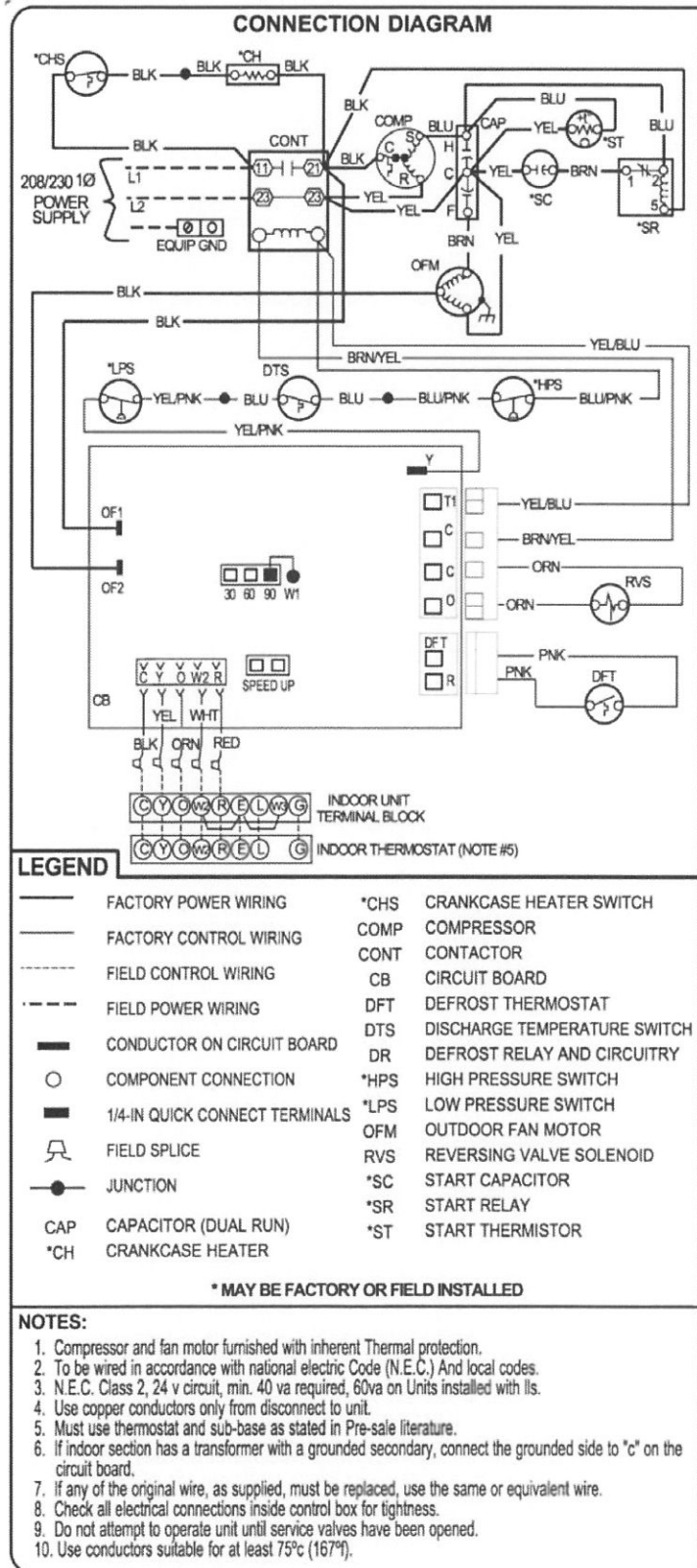


Figure 4 - Cooling Only

