

SUBMITTAL SHEET

JOB NAME	ITEM TAG
JOB LOCATION	PART NUMBER
CONTRACTOR	DATE
ENGINEER APPROVAL	DATE

BRONZE RISING STEM GATE VALVE

T-416

Ideal for commercial or industrial water or steam applications.

Durable, all-bronze body construction resists pipeline stresses and distortion

A full-flow waterway reduces pressure drop

Rising stem design provides a quick, external visual reference to the internal disc-wedge position

Heavy-duty inserted and extended bonnet is ideal for insulated or remote piping installations, placing the handwheel closer to the operator

Solid, fully-guided disc-wedge rises completely out of the flow path and has a broad sealing area that resists mineral build-up

Integral seats are precision-ground to match each disc-wedge, enhancing the drip-tight seal

The gland follower stem seal design lasts longer than traditional packing-nut designs, by isolating the packing nut's rotational movement from the packing's compression seal

Available in FNPT nominal sizes 1/2" to 2"

Working Pressure, Non Shock (PSI)

Cold working pressure (CWP): 300 psi
Saturated steam (WSP): 150 psi

Test Pressure (PSI)

Shell (Water): 450 psi
Seat (Air): 80 psi

- Conforms to MSS SP-80
- Threaded end connections comply with ANSI / ASME B1.20.1
- Construction does not include generic components; all components conform to their applicable specifications

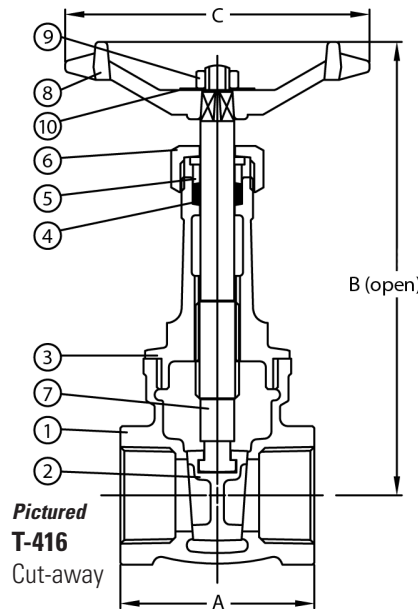
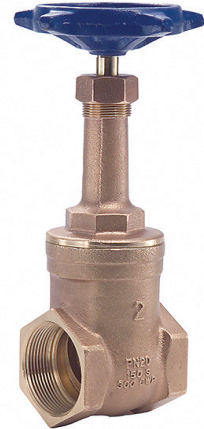


CHART DATA	
Temp	PSI
0	300
50	300
100	300
150	300
200	266
250	233
300	200
350	166
400	133
450	100
450	0

DIMENSIONS - WEIGHT (ea.) - Cv Factors:					
Size	A	B	C	Wt (lb)	Cv (gpm)
1/2"	1.89	4.61	2.48	0.88	10.8
3/4"	2.05	5.51	2.48	1.25	18.0
1"	2.32	6.58	3.27	1.91	30.0
1-1/4"	2.52	7.68	3.66	2.78	59.0
1-1/2"	2.68	8.74	4.61	3.80	120.0
2"	2.93	10.39	4.61	5.31	197.0

MATERIAL SPECIFICATION		
PART	MATERIAL	SPECIFICATION
1 Body	Cast bronze	ASTM B62 UNS alloy C83600
2 Disc-wedge	Cast bronze	ASTM B62 UNS alloy C83600
3 Bonnet	Cast bronze	ASTM B62 UNS alloy C83600
4 Stem packing	PTFE	Dupont Teflon™
5 Gland follower	Brass	ASTM B16 UNS alloy C36000
6 Packing nut	Sizes 1/2", 1-1/4" and 2": Bronze	ASTM B62 UNS alloy C83600
	Sizes 3/4", 1" and 1-1/2": Brass	ASTM B16 UNS alloy C36000
7 Stem	DZR machining brass	AS 352 UNS alloy C35330
8 Handwheel	Cast iron	ASTM A126 Class B
9 Handwheel nut	Steel, zinc-plated	ASTM A563
10 Identification disc	Aluminum	ASTM B209 1100

